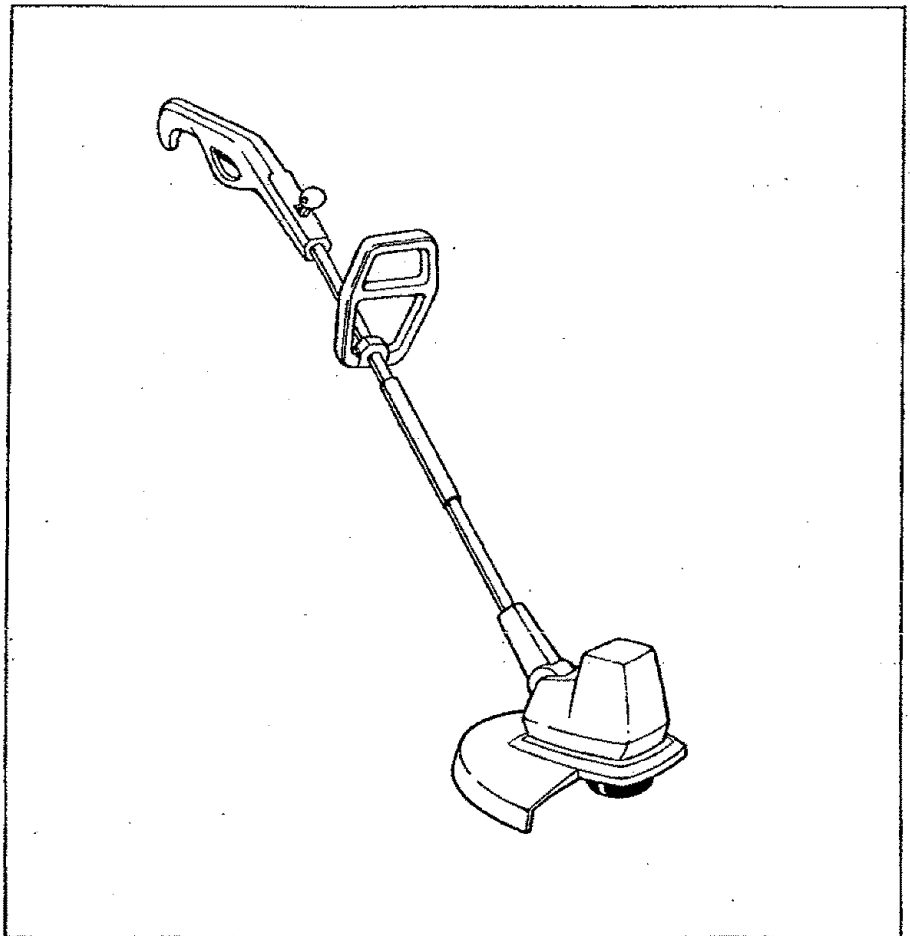


**SEARS**  
**OWNER'S**  
**MANUAL**

**MODEL NO.**  
**257.796050**

**CAUTION:**  
Read **RULES** for  
Safe **OPERATION**  
and **INSTRUCTIONS**  
**Carefully**



**CRAFTSMAN**  
**ADJUSTABLE HANDLE**  
**WEED AND GRASS TRIMMER**

**DOUBLE INSULATED**

- Assembly
- Operating
- Repair Parts

PROTECTED UNDER ONE OR MORE OF THE FOLLOWING  
U.S. PATENTS: 4, 189, 833; 4, 269, 372; 4, 490, 910.



**Sold by SEARS, ROEBUCK AND CO., Chicago, IL. 60684 U.S.A.**

#### FULL ONE-YEAR WARRANTY ON CRAFTSMAN GRASS TRIMMER

If this Electric Weedwacker fails to perform properly due to a defect in material or workmanship within one year from the date of purchase, Sears will repair it, free of charge.

If this Electric Weedwacker is used for commercial or rental purposes, this warranty applies for only 90 days from the date of purchase. This warranty applies only while this product is in use in the United States.

Warranty service is available by simply contacting the nearest Sears store or Service Center throughout the United States.

This warranty gives you specific legal rights, and you may also have other rights which vary from state to state.

SEARS, ROEBUCK AND CO., Dept. 698731A, Sears Tower, Chicago, IL 60684

## IMPORTANT: RULES FOR SAFE OPERATION

### SAFETY RULES FOR POWER TOOLS

#### CAUTION

1. Keep hands, feet and face clear of rotating line. Do not operate without guard in place.
2. Always use Safety Goggles. Wear at all times when trimming.
3. Dress properly. Always wear shoes. Do not operate Tool while barefoot or when wearing sandals, canvas or open toed shoes. Use of rubber gloves and safety footwear is recommended when working outdoors. Wear long pants to protect your legs.
4. Keep Children away. Keep spectators at a safe distance.
5. **WARNING:** To reduce electric shock hazard use only with an extension cord suitable for outdoor use. A two-wire cord without a ground connection may be used since the tool is double insulated. Cord should be 16 gauge or heavier to reduce overheating and loss of power. Extension cord should not exceed 100 feet. U.L. listed extension cords are available from your nearest Sears store.
6. To prevent disconnection of power supply cord from the extension cord during operation, see instructions with Figure 4.
7. Avoid Dangerous Environment — Do not use unit in damp or wet areas, or in the vicinity of flammable fumes.
8. Don't force this tool. It will work better and safer at the rate for which it was designed. If motor slows down too much, pull away and allow unit to obtain full speed.
9. Do not use tool for any job except that for which it is intended.
10. Do not immerse tool in water or operate in rain.
11. Don't overreach — Keep proper footing and balance at all times.
12. Don't abuse cord — never carry appliance by cord or yank cord from receptacle. Keep cord away from heat, oil and sharp edges. Replace damaged cord immediately.
13. Never carry plugged in appliance with finger on switch.
14. Disconnect tool from the power supply when not in use an when making any repairs or inspections.
15. Maintain Trimmer with care and follow instructions for replacing or rewinding spool.

16. Store idle Trimmer indoors. When not in use, Trimmer should be stored indoors in dry place out of reach of children.
17. The automatic line cutter is extremely sharp and care should be exercised when handling or operating the Trimmer to avoid contact with the cutter.
18. **KEEP AIR VENTS CLEAR OF DEBRIS.**

#### DOUBLE INSULATION

Double Insulation is a concept in safety, replacing the standard grounded supply system, in electric power tools. The construction of a double insulated tool affords comparable protection to a properly grounded tool without the necessity for using a grounded conductor. The double insulation system eliminates the need for the usual three wire grounded power cord and grounded supply system. Wherever there is electric current in the tool there are two complete sets of insulation to protect the user. All exposed metal parts are isolated from the internal metal motor components with protecting insulation. The lead wires, switch, etc. with their functional insulation have the added protection of non-conductive sleeving or housings to complete the double insulation system.

**SERVICING OF A TOOL WITH DOUBLE INSULATION REQUIRES EXTREME CARE AND KNOWLEDGE OF THE SYSTEM AND SHOULD BE PERFORMED ONLY BY A QUALIFIED SERVICE TECHNICIAN. FOR SERVICE WE SUGGEST YOU RETURN THE TOOL TO YOUR NEAREST AUTHORIZED DEALER FOR REPAIR WHICH WILL BE DONE WITH ORIGINAL FACTORY REPLACEMENT PARTS.**

#### BOX CONTENTS

This box should contain

- 1 257.796050 WEED AND GRASS TRIMMER
- 1 Ea. 6838-15 REAR GUARD & BLADE ASSY.
- 1 LOOSE PARTS KIT CONTAINING
  - 2 Ea. 1745-2 SCREWS
  - 2 Ea. 2359-1 STOP NUTS
  - 2 Ea. 1847-4 SCREWS
  - 1 Ea. 6834-05 ASSIST HANDLE
  - 1 Ea. 6832-05 PIVOT YOKE
  - 1 Ea. 6833-05 HANDLE KNOB
  - 1 Ea. 2181 BOLD
  - 2 Ea. 7191-05 HANDLE INSERT
  - 1 Ea. 454526 WASHER
  - 1 Ea. 6772-05 FRONT GUARD
  - 1 Ea. 88-588-00 OWNERS MANUAL

# ASSEMBLY INSTRUCTIONS

Remove TRIMMER from carton and examine it thoroughly to make sure it is not damaged.

Remove and discard protective plastic clips inserted in handle tubes before assembly of trimmer.

## TOOLS NEEDED FOR ASSEMBLY

- Medium Phillips screwdriver
- Adjustable wrench or pliers

## ATTACHING THE ASSIST HANDLE AND TUBES

YOUR WEEDWACKER COMES EQUIPPED WITH A PIVOTING ASSIST HANDLE. THIS FEATURE ALLOWS YOU ADDITIONAL FLEXIBILITY AND COMFORT FOR THE ANGLE OR CUTTING POSITION YOU MIGHT REQUIRE.

1. The wire and cable that is exposed between the tube sections will pass through the slot in the bottom of the yoke.
2. Slide the yoke onto the upper tube (Fig. 1).
3. Locate the assist handle on the yoke (Fig. 1) and replace all parts as shown in Figure 1A.
4. Slide outer tube sleeve up lower tube and over upper tube until the assembly holes are aligned. BE CAREFUL NOT TO PINCH, CUT OR TWIST CABLE AND HARNESS DURING ASSEMBLY.
5. Insert screws into the holes and attach locknuts (Fig. 2). Actuate lever to ensure free movement of cable before tightening screws (see instructions under "ADJUSTABLE HANDLE" — PAGE 4).
6. Adjust position of handle to conform to height and arm length of user. Handle may be adjusted forward or backward as desired. Assist handle may be rotated or moved up or down by loosening the knob.

## ATTACHING THE GUARD

TURN TRIMMER UPSIDE DOWN. SLIDE REAR GUARD SECTION AND FRONT GUARD SECTION INTO GROOVES ON TRIMMER HOUSING (FIG. 3).

INSERT 2 SCREWS SUPPLIED AND TIGHTEN FIRMLY.

DO NOT OPERATE TRIMMER WITHOUT GUARD IN PLACE.

**CAUTION:** THE CUTTING BLADE MOUNTED IN THE GUARD ASSEMBLY IS EXTREMELY SHARP AND CARE SHOULD BE EXERCISED WHEN HANDLING OR OPERATING TRIMMER TO AVOID CONTACT WITH CUTTER.

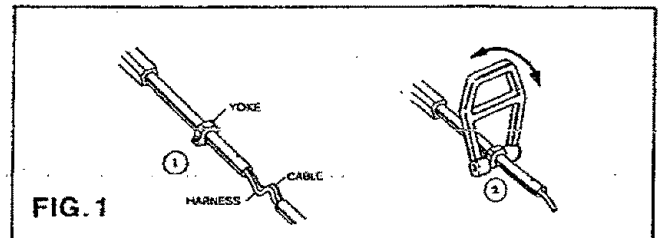
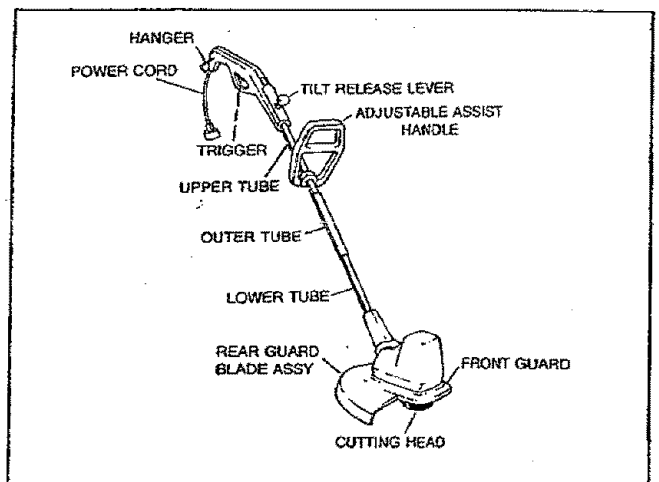


FIG. 1

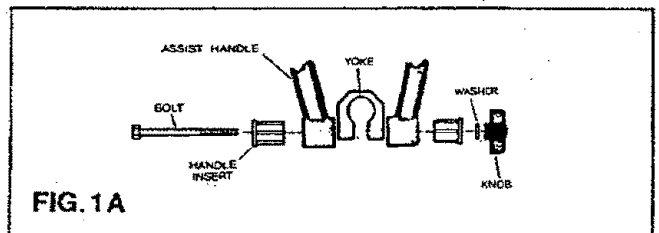


FIG. 1A

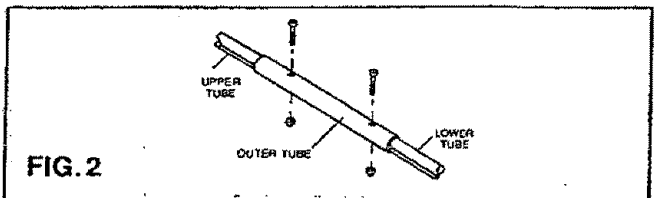


FIG. 2

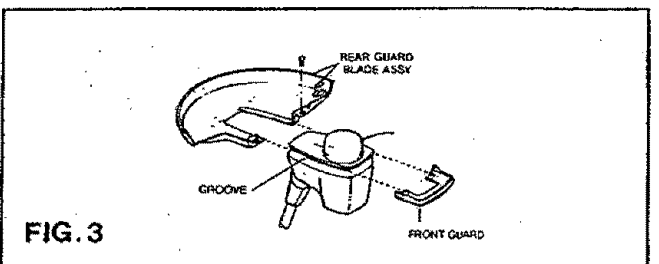
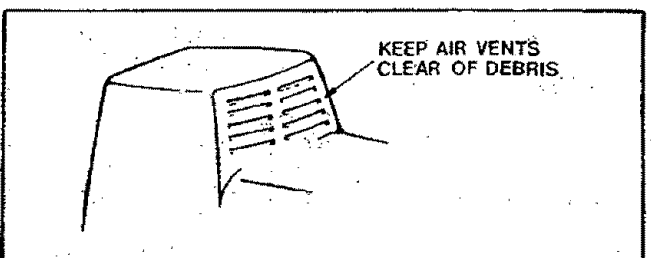


FIG. 3

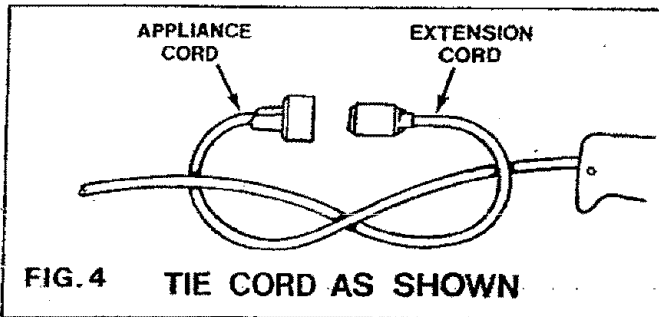


# OPERATING INSTRUCTIONS

## BEFORE OPERATING

Before using your WEEDWACKER read and understand the Safety Rules for Power Tools.

- Always wear SAFETY GOGGLES.
- Cut to your LEFT side.
- Keep people away from you.
- Inspect the areas you are going to trim for wires, cord and any string-like matter to prevent them from getting tangled in the cutting head.



## RETAINING EXTENSION CORD

To prevent extension cord from disconnecting from appliance cord, tie cords as shown in Figure 4. Devices for retaining extension cords are also available from your nearest Sears store.

## HOW TO OPERATE

1. Hold trimmer in a comfortable upright position and depress trigger switch.
2. Best results are accomplished with proper length line and maintaining full speed. Cut only with the tip of the nylon line.

## WHEN OPERATING

1. The WEEDWACKER will stir up dust particles which may get into your eyes. Wear safety goggles to prevent this. When you cut to the LEFT SIDE, your WEEDWACKER will sling particles FORWARD, away from you. When you cut to the RIGHT SIDE, it will sling particles BACK toward you. ALWAYS CUT TO THE LEFT SIDE ONLY.
2. Your WEEDWACKER can sling objects with adequate velocity to cause harm to others. It will ALWAYS sling small particles of dirt. KEEP PEOPLE AWAY FROM YOU when using your trimmer just to be safe.

## LINE IS TRIMMED AUTOMATICALLY

Your new WEEDWACKER is equipped with a fully automatic line cutter. After a new section of line is fed out, a blade mounted in the guard will cut the line to its proper length automatically.

This feature keeps the line trimmed to a safe and most efficient cutting length. Always make sure this cutter is working efficiently to achieve the best results.

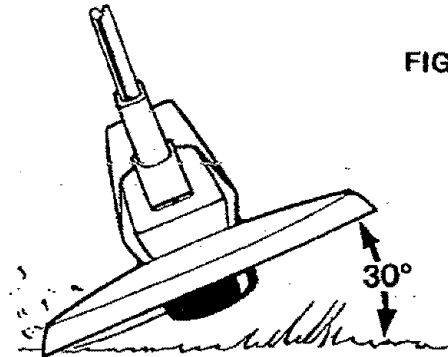
**CAUTION: THE CUTTING BLADE MOUNTED IN THE GUARD ASSEMBLY IS EXTREMELY SHARP AND CARE SHOULD BE EXERCISED WHEN HANDLING OR OPERATING TRIMMER TO AVOID CONTACT WITH CUTTER.**

## HOW TO ACTUATE SELF FEEDING CUTTING LINE

1. Plug in power cord.
2. Start motor
3. Tap the hub lightly on the turf. Cutting line will advance automatically while motor is running.
4. Repeat step number 3 to advance additional cutting line. The cutting line will be trimmed automatically by the blade line cutter while motor is running, so don't "tap out" unnecessarily long cutting line lengths.

## GENERAL TRIMMING

For most trimming the unit is TILTED TO THE LEFT at approximately 30 degrees (as shown below).



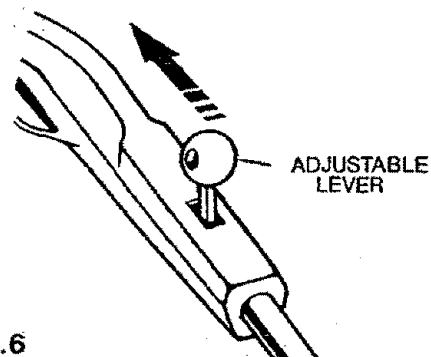
## MOWING

Simply pass your WEEDWACKER over the areas you wish to cut, keeping the cutting head parallel to the ground. DO NOT use the usual 30 degree cutting angle when mowing as in fig. 5.

## ADJUSTABLE HANDLE

Your TRIMMER incorporates a new adjustable handle feature which makes trimming and edging in "hard to get at areas" much easier. The adjust mechanism is located on top of the handle grip (FIG.6). Make sure head is on the ground when adjusting.

1. Grasp the lever with thumb and forefinger and pull back gently. This will disengage the locking pin in the motor housing, and the handle tube will pivot freely.
2. Select desired position and release the lever. Tube will lock into place automatically.



## OPERATING INSTRUCTIONS (cont'd)

### TO REPAIR BROKEN CUTTING LINE

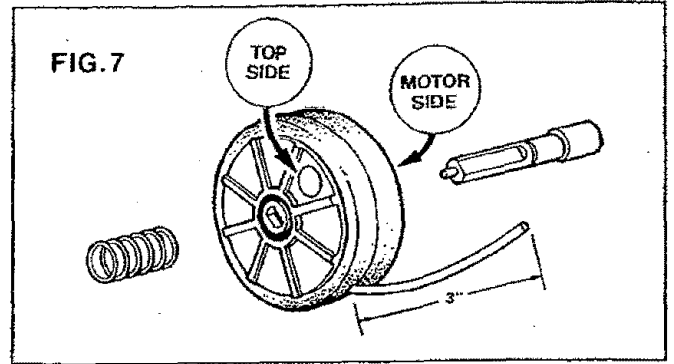
1. Stop the motor and unplug power cord.
2. Visible cutting line can be retrieved with needle nosed pliers.
3. Hub should be depressed and released while keeping tension on the cutting line. One inch of cutting line should feed each time the hub is depressed.
4. If cutting line cannot be retrieved, follow instructions under SPOOL REPLACEMENT.

### SPOOL REPLACEMENT

1. Stop motor and unplug power cord.
2. Restrain rear plate, push in lock button (located on hub), and twist hub counter-clockwise until locking tabs disengage. Remove hub.
3. Remove spool from assembly and remove spring from spool.
4. Rewind spool in accordance with the instructions included herein (fig. 8) or replace spool as appropriate.
5. Before reinstalling spool be sure approximately 3 inches of line exits spool *between* the two foam pads as shown in fig. 7.
6. Install spring on "TOP SIDE" of spool. See fig. 7.
7. Insert line thru eyelet in hub assembly and seat spring end onto center post inside hub assembly.  
**NOTE:** Make sure line does not get trapped under spool, between the spool and hub assembly.
8. Slide spool and hub assembly onto motor shaft. Manipulate parts slightly to obtain proper alignment. Align locking tabs on hub assembly with slots in rear plate and insert tabs into slots until parts bottom. Rotate hub assembly clockwise while restraining the rear plate until all four locking tabs are properly engaged.
9. Remove debris from underside of your WEEDWACKER.

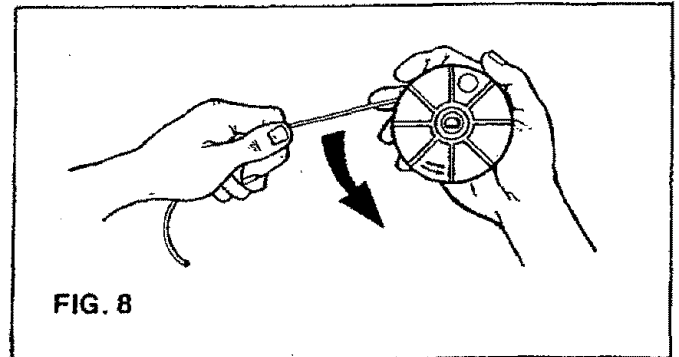
### IF LINE DOES NOT FEED

1. Follow instructions 1-3 under "Spool Replacement."
2. Check to make sure line is wound in direction indicated on spool,
3. Separate strands of tangled line or install new line if necessary.
4. Inspect foam pad for tears or damage, replace if necessary.
5. Check spring for damage and proper installation.
6. Follow instructions 5 thru 11 under "Spool Replacement."



### REWINDING SPOOL

When rewinding be sure to wind the line in the direction of arrow indicated on spool (Fig. 8) Plastic is a memory material and the line should be recoiled from the original coil to the spool in a way so the built-in memory tends to keep the coils tight to the spool. If you recoil in the opposite direction the coils would be loose and tend to come unwound. To secure line to spool, place tape over approx. 1½" of line, then secure tape to spool. Line must be wound side by side avoiding crossover or crisscrossing to insure proper line advancing. Do not wind more than a total of 40 feet of line onto spool.



### RECOMMENDED REPLACEMENT PARTS AND ACCESSORIES

Your SEARS WEEDWACKER uses SPECIALLY TREATED .065 DIAMETER MONOFILAMENT NYLON cutting line which is available at SEARS STORES AND CATALOG STORES. You may purchase a fully wound spool (Part No. 85744) or you may purchase a package of two 50 foot coils (Part No. 85772) or a large bulk spool of line and rewind your present spool.

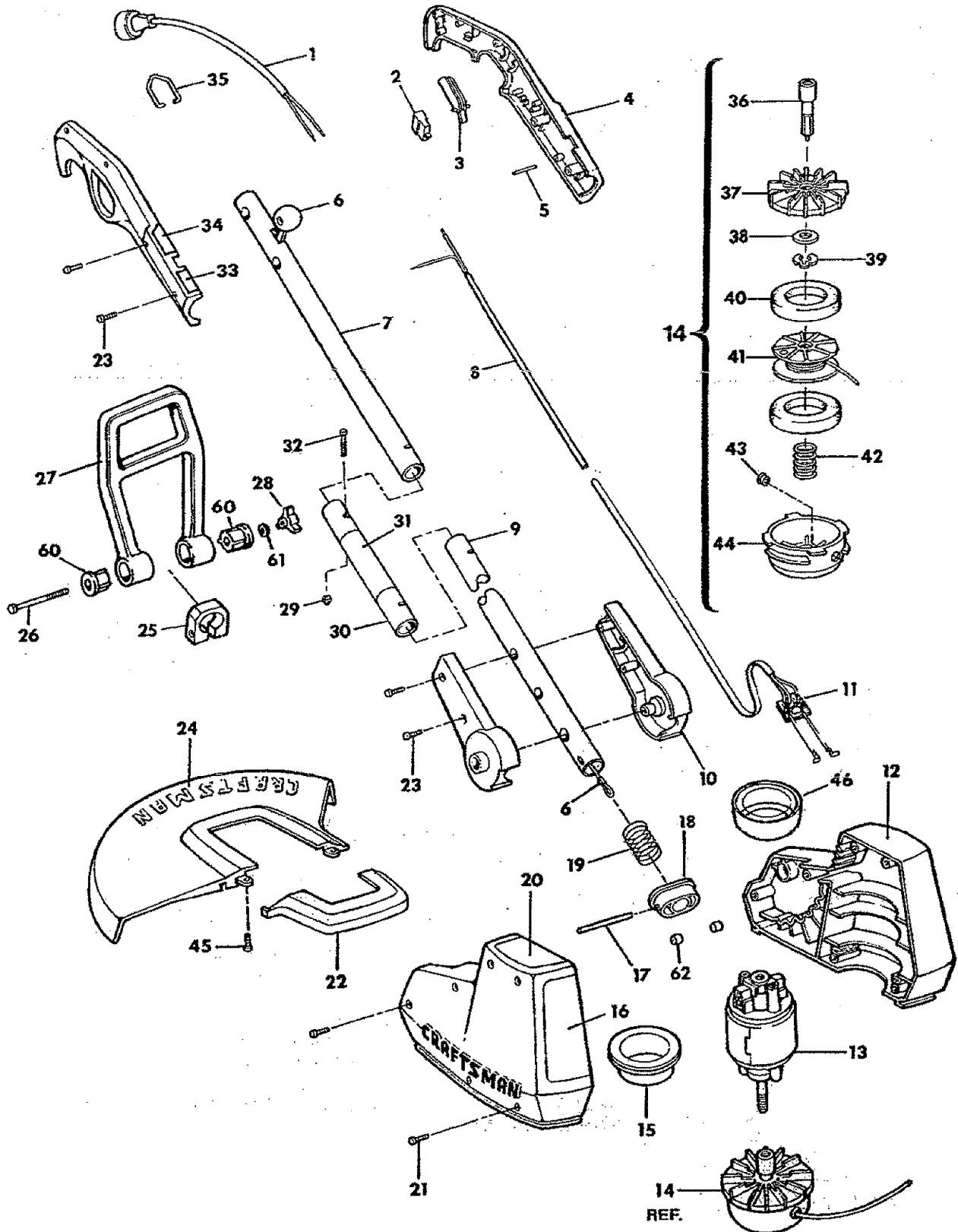
**CAUTION:** The use of heavier line, different types of line and accessories or attachments other than recommended may be hazardous or cause unit failure.



THE OPERATION OF ANY TRIMMER CAN RESULT IN FOREIGN OBJECTS BEING THROWN INTO THE EYES, WHICH CAN RESULT IN SEVERE EYE DAMAGE. ALWAYS WEAR SAFETY GLASSES OR EYE SHIELDS BEFORE COMMENCING POWER TOOL OPERATION. WE RECOMMEND WIDE VISION SAFETY MASK FOR OVER SPECTACLES OR STANDARD SAFETY GLASSES AVAILABLE AT SEARS RETAIL OR CATALOG STORES.

# MODEL NO. 257.796050

## EXPLODED VIEW



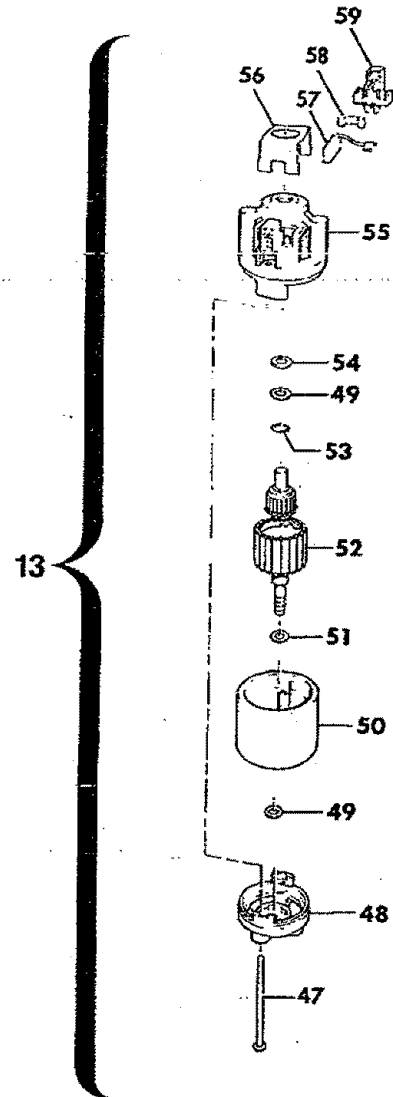
# MODEL NO. 257.796050

## PARTS LIST

DOUBLE INSULATED — WHEN SERVICING USE ONLY IDENTICAL REPLACEMENT PARTS

REF. NO.	PART NO.	DESCRIPTION	QTY.
1.	2345-2	Power Cord	1
2.	6781	Switch Slide	1
3.	6780-04	Trigger	1
4.	6767-55	Handle R.H./L.H.	1 (set)
5.	3272-3	Pin, Hinge	1
6.	6858	Cable and Lever Assy	1
7.	6962	Tube, Upper	1
8.	5517-4	Harness Assy (Incl. Item 11)	1
9.	6828-1	Tube, Lower	1
10.	6777-05	Pivot, R.H./L.H.	1 (set)
11.	3366	P.C. Bridge Assy.	1
12.	7160-1-28	Housing R.H./L.H.	1 (set)
13.	7683	Motor Assy	1
14.	REF.	Auto Head Assy	1
15.	4872-35	Air Baffle	1
16.	6845-1	Label, Housing Front	1
17.	6791	Pin, Sleeve	1
18.	6779-04	Sleeve	1
19.	6792	Spring, Sleeve	1
20.	7818-1	Label, Housing Top	1
21.	2224	Screw, 10-16 x 1 Thd Form	6
22.	6772-05	Guard, Front	1
23.	1937	Screw 8-18 11 x 1/2 Thd Form	8
24.	6838-15	Guard and Blade Assy	1
25.	6832-05	Yoke	1
26.	2181	Bolt, 1/4-20 x 4 Hex	1
27.	6834-05	Assist Handle	1
28.	6833-05	Knob, Adjust	1
29.	2359-1	Nut, Stop	2
30.	6963	Tube, Outer	1
31.	7817	Label, Warning/Nameplate	1
32.	1745-2	Screw, 10-24 x 1-1/4 Mach.	2
33.	6827-1	Label, Lower Handle	1
34.	6826-1	Label, Upper Handle	1
35.	2701	Hanger	1
36.	5899	Drive Adapter	1
37.	4871-15	Rear Plate	1
38.	22014643	Washer	1
39.	2467-3	Retaining Ring	1
40.	1586-2	Foam Pad	2
41.	4868-05	Spool & Line (85744) (incl. Item 40)	1
42.	1574-1	Spring, Compression	1
43.	1576	Eyelet	1
44.	4864-15	Hub Assy (incl. Item 43, 45)	1
45.	1847-4	Screw, 10-16 x 1/2 Thd Form	2
46.	2865-05	Adapter Ring	1
47.	2287-3	Screw, 10-32 x 2 3/8 Thd Form	2
48.	2276-1	Endbell Assy (Drive)	1
49.	2288	Washer	2
50.	2270-4	Field Assy	1
51.	747-2	Retaining Ring	1
52.	7677	Armature Assy	1
53.	2467	Retaining Ring	1
54.	2389-3	Load Washer	1
55.	2275-1	Endbell Assy (Brush)	1
56.	2260	Insulator	1
57.	2278	*Brush	2
58.	2280	*Brush Spring	2
59.	2277	*Brush Holder	2
60.	7191-05	Handle Insert	2
61.	454526	Washer	1
62.	7182	Sleeving	2
63.	88-588-00	Owners Manual	

MOTOR



\*Part No. 4504 Brush Assembly Kit  
Includes Items 57, 58, and 59

**SEARS**  
**OWNER'S**  
**MANUAL**

**MODEL NO.**

**257.796050**

**Sears**  
**SERVICE**  
**is at**  
**YOUR SERVICE.**

## **How to Order Repair Parts**

The Model Number will be found on a plate attached to your Weedwacker handle tube. Always mention the Model Number when requesting service or repair parts for your Craftsman Weedwacker.

All parts listed herein may be ordered from any SEARS, ROEBUCK AND CO. retail or catalog store.

**WHEN ORDERING REPAIR PARTS, ALWAYS GIVE THE FOLLOWING INFORMATION.**

1. PART NUMBER
2. PART DESCRIPTION
3. MODEL NUMBER — 257.796050
4. NAME OF ITEM — WEED AND GRASS TRIMMER

**USE ONLY SEARS REPLACEMENT PARTS.**

If the parts you need are not stocked locally, your order will be electronically transmitted to a Sears Repair Parts Distribution Center for expedited handling.

"Your Sears merchandise has added value when you consider that Sears has service units staffed with Sears trained technicians...professional technicians specifically trained on Sears products, having the parts, tools and equipment to insure that we meet our pledge to you...we service what we sell."

**Sold by SEARS, ROEBUCK AND CO., Chicago, IL. 60684 U.S.A.**