

Item
Model
ProjectName



K35

The K35 is a simple and robust cutter which allows all types of liquidising, mixing and mincing to be performed in a matter of seconds, avoiding heating and alteration of the products.

601156

FEATURES

- The speed of rotation allows all sorts of preparations to be carried out in a matter of seconds:
 - Mincing meats (tartare, sausage meat, pâtés, stuffing, mousses, etc.)
 - Chopping condiments (parsley, garlic, onions, shallots, spices, etc.).
 - Preparation of mayonnaise, mashes, flavoured butters, purées, compotes, etc.
- Liquidising frozen foodstuffs, fish soups with shellfish, etc.
- Preparation of all types of pastry.
- Pastrywork (almond paste, sugared almonds, half and half, etc.).
- The 18/8 stainless steel bowl is positioned on the central shaft. The bowl is supplied complete with a leak resistant spout.



DITO**Electrolux**

- The transparent cover is turned to lock it in place and has a magnetic contact safety system.
- The spout allows products to be added without the machine having to be stopped.

- The blades are angled and the base of the bowl is conical to ensure consistent mixing every time.
- One and two speed versions available.

Specifications

MODEL	K353 601190	K35 601156	K35235 603036
External dimensions - mm			
width	247	247	247
depth	407	407	407
height	303	303	303
Chopping capacity - kg/cycle			
condiments	1	1	1
Mincing capacity - kg/cycle			
meats	1.5	1.5	1.5
Preparation mayonnaise/sauces - kg/cycle			
mayonnaise	2	2	2
Pastry preparation - kg/cycle			
	1	1	1
Power - kW			
installed-electric	0.5	0.5	0.5
Net weight - kg.	15.4	15.4	15.4
Supply voltage	380...415 V, 3, 50	220...240 V, 1N, 50	230 V, 3, 50

Included accessories

CODE	DESCRIPTION	K353 601190	K35 601156	K35235 603036
653096	3.5 LITRE S/S BOWL FOR CUTTER-MIXER	1	1	1
653028	FINELY TOOTHED BL. ROTOR-3.5L CUTTER-MIX	1	1	1

Optional accessories

CODE	DESCRIPTION	K353 601190	K35 601156	K35235 603036
653096	3.5 LITRE S/S BOWL FOR CUTTER-MIXER	✓	✓	✓
653028	FINELY TOOTHED BL. ROTOR-3.5L CUTTER-MIX	✓	✓	✓
653029	SMOOTH BLADE ROTOR FOR 3.5L CUTTER-MIXER	✓	✓	✓

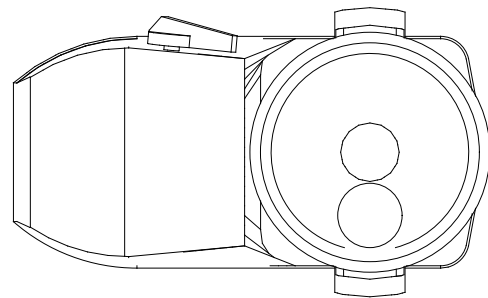
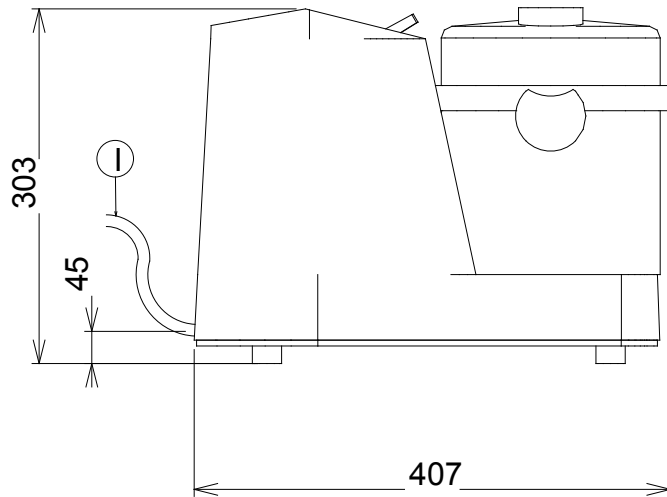
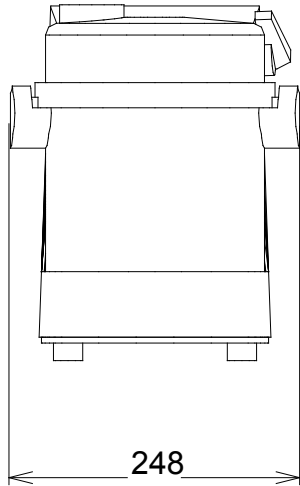


DITO

Electrolux

Installation drawings

601190, 603036, 601156



MODEL

I - Electrical connection

K353
601190

380...415 V, 3, 50

K35
601156

220...240 V, 1N,
50

K35235
603036

230 V, 3, 50



Food Processors

The manufacturer reserves the right to modify and make improvements to the products without giving prior warning. Dimensions, illustrations, technical data, weights, etc. are given as an indication only.



www.dito-electrolux.com

