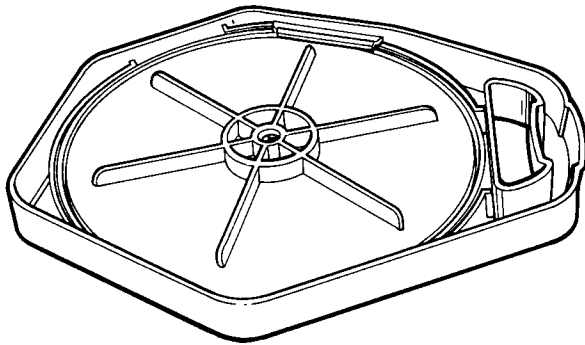


NICK
JR.

Peek-a-Boo Shape Sorter

Thank you for purchasing this toy. Please save this instruction sheet for future reference. If you have any questions or comments about this toy, please call us toll free at 1-800-PLAYSKL.

**SPOKES
(ON BACK OF TOY)**



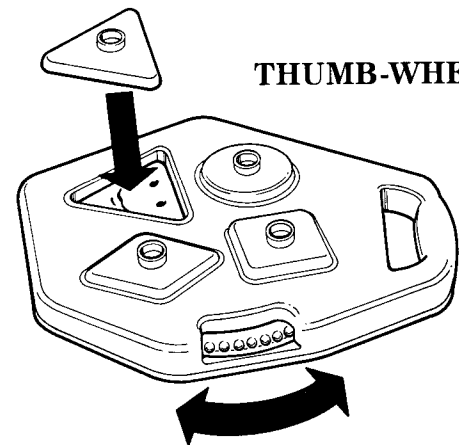
Kids Learn As They Play

Hidden pictures and shape sorting play provide fun and surprises. They also help your child learn shape recognition, develop hand-eye coordination and enhance memory skills. Changing the location of the pictures encourages curiosity and a sense of discovery.

How To Turn the Picture Wheel

Turn the picture wheel to change the location of the pictures underneath the shapes, for a surprise every time a piece is lifted. To turn the picture wheel, move the thumb-wheel on the side of the toy, or turn the "spokes" on the back of the toy.

THUMB-WHEEL



Activities

1. **Shape Matching:** Kids build their shape recognition skills as they match the circle, square and triangle shapes with the corresponding holes.
2. **Peek-A-Boo:** For younger children who are still learning to grasp and hold, you can lift the pieces for "peek-a-boo" games.
3. **Lift-and-See Fun:** Kids develop their fine motor skills as they grasp and lift the pieces to see the pictures underneath.
4. **Guessing Game:** Point to a particular shape and ask your child to guess "What's Under This Piece?"
5. **Hide-and-Seek:** Ask your child to look for a particular picture that's "hiding" under one of the pieces.

Product and colors may vary.

© 1995 Viacom International Inc. All Rights Reserved. Nickelodeon and Nick Jr., and all related titles, logos and characters are trademarks of Viacom International Inc.

©1995 Hasbro, Inc., Pawtucket, RI 02862 USA. Playskool® is a trademark of Hasbro, Inc.

All Rights Reserved. ®denotes Reg. U.S. Pat. & TM Office. U.S. Patent Pending. MADE IN CHINA. P/N 46561500

PLAYSKOOL