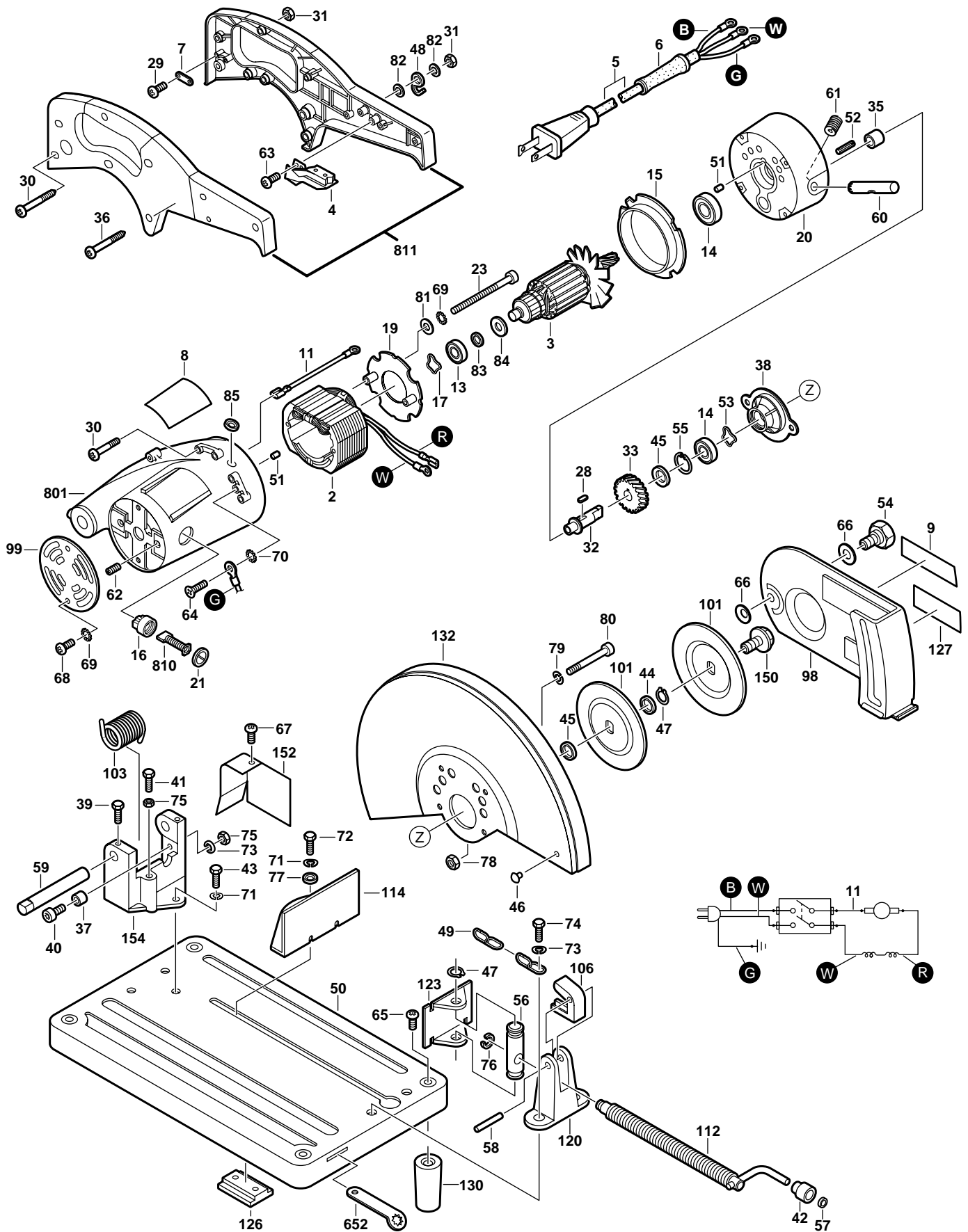


# BOSCH

April 1998  
INDUSTRIAL

CHOP SAW  
Model 0601471039

## 3814



# 3814 CHOP SAW

Pos.	Part Number	Description {Qty}	F/C	Pos.	Part Number	Description {Qty}	F/C
2	2 610 355 302	Field 115V	22	60	2 610 355 315	Spindle Lock Pin	81
3	2 610 355 301	Armature w/Fan115V	AW	61	2 610 355 316	Spring	27
4	2 610 355 335	Switch	15	62	2 610 355 295	Screw	89
5	2 610 355 306	Cord	11	63	2 610 355 336	Screw {2}	89
6	2 610 355 307	Strain Relief	11	64	2 610 357 149	Screw	89
7	2 610 355 342	Clamp	89	65	2 610 355 259	Screw {4}	89
8	2 610 994 082	Nameplate "3814"	9	66	2 610 355 330	Washer {4}	65
9	2 610 994 083	Label "Bosch"	9	67	2 610 355 278	Screw {2}	89
11	2 610 355 310	Cable	10	68	2 610 355 293	Screw {2}	89
13	2 610 010 824	Ball Bearing	60	69	2 610 355 304	Washer {4}	65
14	2 610 023 268	Ball Bearing {2}	61	70	2 610 355 269	Washer	65
15	2 610 355 311	Baffle	24	71	2 610 355 264	Washer {5}	65
16	2 610 355 297	Brush Holder	25	72	2 610 355 263	Screw {2}	89
17	2 610 355 309	Washer	65	73	2 610 355 271	Washer {3}	65
19	2 610 355 349	Baffle	24	74	2 610 355 277	Screw {2}	89
20	2 610 994 505	Gear Housing	72	75	2 610 355 272	Nut {2}	89
21	2 610 355 298	Brush Cap {2}	25	76	2 610 355 290	Retaining Ring	89
23	2 610 355 303	Screw {2}	89	77	2 610 355 274	Washer {2}	65
28	2 610 355 343	Key	66	78	2 610 355 332	Nut {2}	89
29	2 610 355 341	Screw {2}	89	79	2 610 355 325	Lock Washer {4}	65
30	2 610 355 337	Screw & Washer {9}	89	80	2 610 355 324	Screw {4}	89
31	2 610 356 706	Nut {11}	89	81	2 610 355 570	Washer {2}	65
32	2 610 355 323	Output Spindle	52	82	2 610 345 391	Washer {2}	65
33	2 610 355 322	Gear	33	83	2 610 355 318	Washer	65
35	2 610 355 313	Needle Bearing	56	84	2 610 355 319	Washer	65
36	2 610 355 338	Screw	89	85	2 610 355 299	Grommet	9
37	2 610 352 729	Sleeve	82	98	2 610 355 329	Lower Guard	92
38	2 610 355 317	Gear Housing Cover	70	99	2 610 994 522	Cover Plate	70
39	2 610 355 267	Screw	89	101	2 610 910 022	Flange {2}	65
40	2 610 355 270	Screw	89	103	2 610 355 266	Spring	27
41	2 610 355 268	Screw	89	106	2 610 994 515	Lock	9
42	2 610 355 286	Knob	63	112	2 610 355 289	Crank Screw	9
43	2 610 358 055	Bolt {3}	89	114	2 610 994 511	Fence	9
44	2 610 355 345	Bushing	82	120	2 610 995 518	Support Bracket	62
45	2 610 355 344	Bushing {2}	82	123	2 610 994 509	Clamp Plate	80
46	2 610 355 347	Bumper {2}	9	126	2 610 355 275	Plate	9
47	2 610 355 284	Retaining Ring {2}	89	127	2 610 994 086	Label "Warning"	9
48	2 610 355 340	Hook	9	130	2 610 355 258	Post {4}	9
49	2 610 355 279	Chain	9	132	2 610 355 328	Upper Guard	92
50	2 610 994 516	Base Assembly	88	+ 145	2 610 994 085	Label "Depth"	9
51	2 610 355 314	Plug {2}	9	+ 146	2 610 994 084	Label "Warning"	9
52	2 610 355 348	Roll Pin	66	150	2 610 910 023	Bolt	89
53	2 610 355 321	Washer	65	152	2 610 994 512	Side Cover	92
54	2 610 355 331	Screw {2}	89	154	2 610 994 513	Support Bracket	62
55	2 610 355 320	Retaining Ring	89	652	2 610 355 260	Wrench	9
56	2 610 994 510	Pin	9	801	2 610 994 504	Motor Housing Assembly w/pos. 16, 62, 85	71
57	2 610 328 702	Push Nut	89	810	2 610 995 539	Brush Set	26
58	2 610 355 280	Roll Pin	66	811	2 610 995 517	Handle Assembly	74
59	2 610 355 265	Shaft	54				

**Service Notes:**