

- Dedicated, equipment-matched cooling supplies the proper temperature and water flow year round.
- Factory-tested, piped, wired and charged for hassle-free startup and operation.
- Clean, non-ferrous cooling loop, required for sensitive medical equipment.
- Local service and parts for quick and knowledgeable maintenance and service.
- Optional switch-over to alternate water source provides redundant, continuous operation.
- Optional remote monitoring systems keep you informed of chiller operation.
- UL/CSA listing on standard models.
- ISO 9001 certified company.

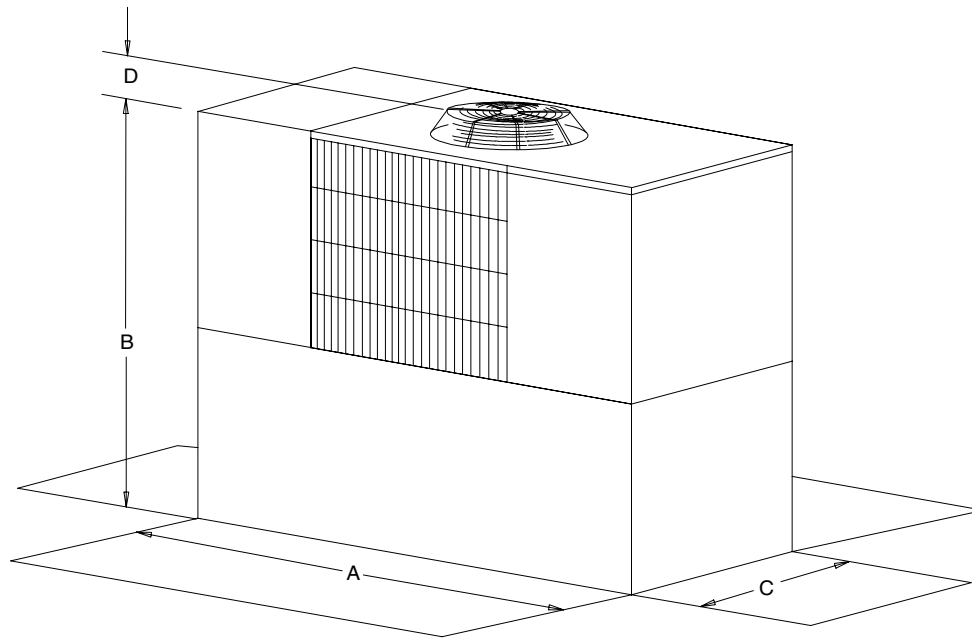
### CLINAC 18R, 1800, 2100C/D, 2300C/D Specifications

Fluid Specified	Water
Heat Dissipation—BTUH (kW)	85,350 (30)
Fluid Temperature Range—°F (°C)	50-75 (10-25)
Fluid Flow Rate—GPM (l/m)	4 (15.2) @ 60°F (15.6°C)
Fluid Pressure Drop—PSI (kPa)	6 (41.4)

**Note:** Performance is based on 95°F condenser ambient.

### Process Fluid Chiller Specifications

	PS096A	PS096A	PS096A
Model Number	PS096A	PS096A	PS096A
Fluid Circulated	Water	Ethylene Glycol	Propylene Glycol
Net Cooling Capacity—BTUH (kW)	86,000 (25.2)	86,000 (25.2)	86,000 (25.2)
Leaving Fluid Temperature—°F (°C)	51 (10.6)	55 (12.8)	58 (14.4)
Fluid Flow Rate—GPM (l/m)	4.3 (16.2)	4.3 (16.2)	4.3 (16.2)
CLINAC Pressure Drop—PSI (kPa)	6 (41.4)	6 (41.4)	6 (41.4)
Chiller Pressure Drop—PSI (kPa)	4.1 (28.2)	5.5 (37.8)	6.3 (43.2)
Pump Total Head—PSI (kPa)	62.3 (428.6)	62.3 (428.6)	62.3 (428.6)
Head Available for Piping Circuit—PSI (kPa)	52.2 (360)	50.8 (350)	50 (345)
Pump HP (kW)	3 (2.2)	3 (2.2)	3 (2.2)



Model No.	A-Width in. (mm)	B-Height in. (mm)	C-Depth in. (mm)	D	Weight lbs. (kg)	Voltage (60 Hz)
PS096A*	77 (1956)	69.25 (1759)	38.5 (978)	5.5 (140)	750 (340)	460, 3-phase; 208/230, 3-phase
PS120A*	77 (1956)	69.25 (1759)	38.5 (978)	5.5 (140)	750 (340)	460, 3-phase; 208/230, 3-phase

\*Includes additional height due to storage tank.

### Standard Features

- Indoor/outdoor cabinet
- Scroll compressor
- Refrigerant dehydrator
- Expansion valve
- Refrigerant receiver
- Stainless steel fluid reservoir expansion tank
- Pressure relief valve
- Hot gas bypass valve capacity control
- Stainless steel pump

### Optional Features

- Refrigerant gauges and reservoir heater

### Optional Accessories

- Emergency water bypass
- Enviro-source emergency bypass
- Water level control and alarm system
- Fluid pressure gauge
- Check valve
- Dial thermometer
- Relief valve
- Circuit setter
- Ball valve
- High temperature thermostat
- Low flow switch
- Liebert RCM8 monitor

### Required Options

- 100 gallon stainless steel storage tank built into chiller frame.



1050 Dearborn Drive  
P.O. Box 29186  
Columbus, OH 43229  
Phone: 800.877.9222  
Fax: 614.841.6022

Via Leonardo Da Vinci 8  
Zona Industriale Tognana  
35028 Piove Di Sacco  
Italy  
Phone: 39.049.9719.111  
Fax: 39.049.5841257

23/F Allied Kajima Bldg.  
138 Gloucester Road  
Wanchai  
Hong Kong  
Phone: 852.2.572.2201  
Fax: 852.2.572.1182

©2000 Liebert Corporation. All rights reserved throughout the world. Specifications subject to change without notice.  
©Liebert and the Liebert logo are registered trademarks of Liebert Corporation. All names referred to are trademarks or registered trademarks of their respective owners.

Liebert Web Site—<http://www.liebert.com>

SL-16563 (07/00)