

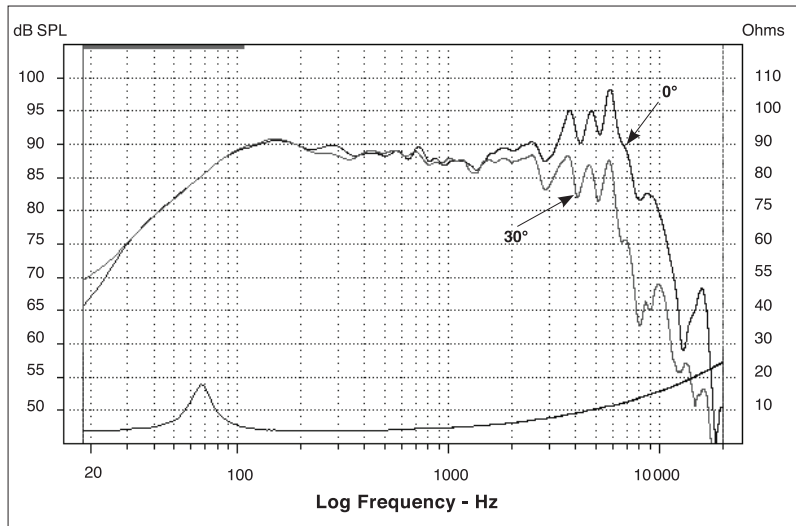
6 A3 (165 A3 WOOFER KIT)

6" Access 1 woofer

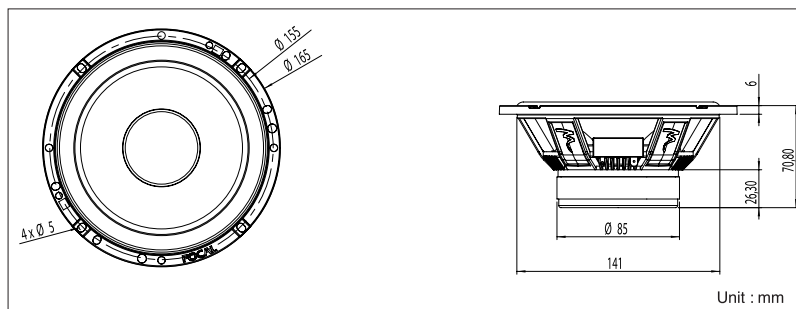
- All weather woven glass fiber cone
- Butyl surround



Frequency Response / Impedance



Mechanical Drawing



Specifications

Nominal power	80W	
Maximum power	160W	
Sensitivity	92 dB	
Cone	Braided glass fiber®	
Surround	Butyl	
Nom. impedance	4 ohms	
DC resistance	3.31 ohms	
VC diameter	25 mm	1 in
VC height	11 mm	7/16 in
Former	Kapton®	
Layers	2	
Wire	Copper	
Inductance	0.21 mH	
Xmax	2.5 mm	1/8 in
Magnet d x h	85 x 15 mm	3-1/3 x 9/16 in
Magnet weight	0.35 kg	0.77 lb
Flux density	1.3 T	
Gap height	5.5 mm	3/16 in
Net weight	0.85 kg	1.87 lb

Parameters

Fs	66.91 Hz
Vas	9.42 l
Qts	0.86
Qes	1.04
Qms	4.96
Re	3.31 ohms
Sd	137 cm ²
Cas	6.71 E-08 m ² /N
Mas	84.27 kg/m ⁴
Ras	7142.97 ohms.ac
Cms	3.57E-04 m/N
Mms	15.83 g
Rms	1.342 kg/s
Ces	747.37 mF
Les	7.57 mH
Res	15.74 ohms
Bl	4.59 N/A
SPL	86.1 dB/W/m

Suggested application

Load	V (l)	Fb (Hz)	F-3 (Hz)	Ql
Sealed	30	-	55	7

©Focal-JMLab - BD080422/1

ORCA Design & Manufacturing Corp. 804 Calle Plano Camarillo, CA 93012 tel: (888) 340-4403
www.focal-america.com Focal® is a trademark of Focal-JMLab®



4 A3 (165 A3 MIDRANGE KIT)

4" Access 1 midrange

- All weather woven glass fiber cone
- Phase plug



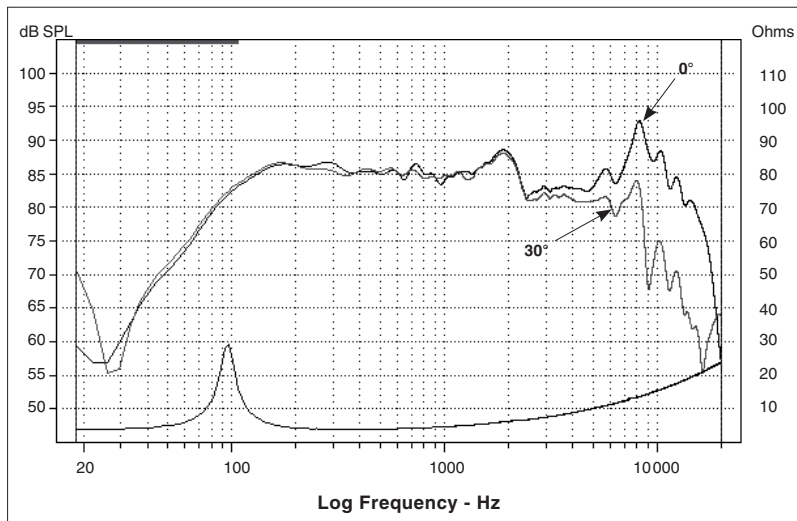
Specifications

Nominal power	80W	
Maximum power	160W	
Sensitivity	89 dB	
Cone	Braided glass fiber	
Surround	Butyl	
Nom. impedance	4 ohms	
DC resistance	3.3 ohms	
VC diameter	25 mm	1 in
VC height	11 mm	7/16 in
Former	Kapton®	
Layers	2	
Wire	Copper	
Inductance	-	
Xmax	2.5 mm	0.18 in
Magnet d x h	70 x 15 mm	2-3/4 x 9/16 in
Magnet weight	0.25 kg	0.66lb
Flux density	1 T	
Gap height	5.5 mm	3/16 in
Net weight	0.5 kg	1.1 lb

Parameters

Fs	94.54 Hz
Vas	1.66 l
Qts	0.76
Qes	0.86
Qms	6.66
Re	3.37 ohms
Sd	54.11 cm ²
Cas	1.18E-08 m5/N
Mas	240.14 kg/m4
Ras	21418.27 ohms.ac
Cms	4.03E-04 m/N
Mms	7.03 g
Rms	0.414 kg/s
Ces	429.61 mF
Les	6.60 mH
Res	26.25 ohms
Bl	4.06 N/A
SPL	84 dB/W/m

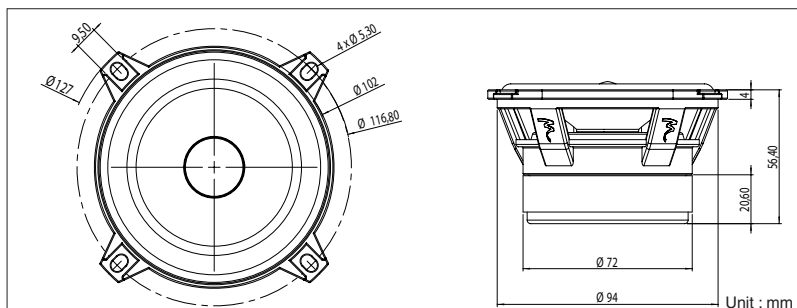
Frequency Response / Impedance



Suggested application

Load	V (l)	Fb (Hz)	F-3 (Hz)	Ql
Sealed	30	-	89	7

Mechanical Drawing



©Focal-JMlab - DB080422/1

Focal® is a trademark of Focal-JMlab® - BP 374 - 108, rue de l'Avenir - 42353 La Taubaudière cedex France - Tél. [33] 04 77 43 57 00 - Fax [33] 04 77 37 65 87 - www.focal-fr.com - SCBD080422/1



FOCAL
THE SPIRIT OF SOUND