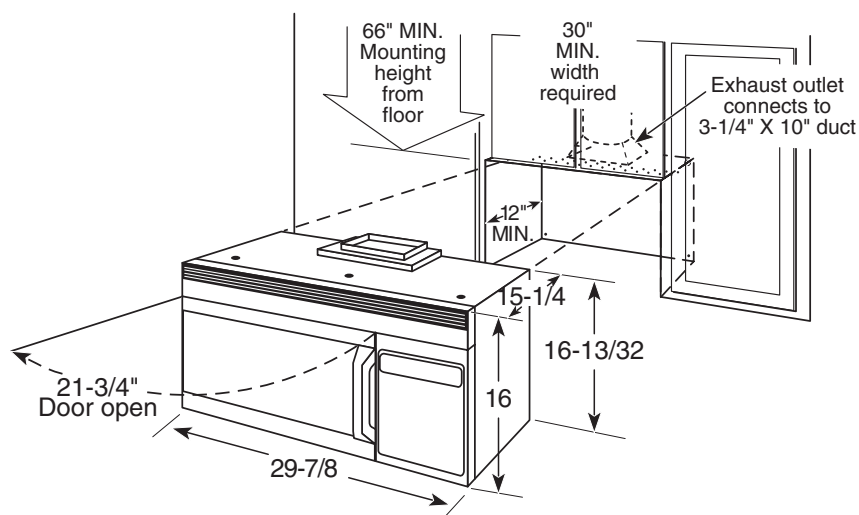


HOTPOINT®

RVM1625SJ – Hotpoint Counter Saver Plus™ Microwave Oven

Dimensions (in inches)



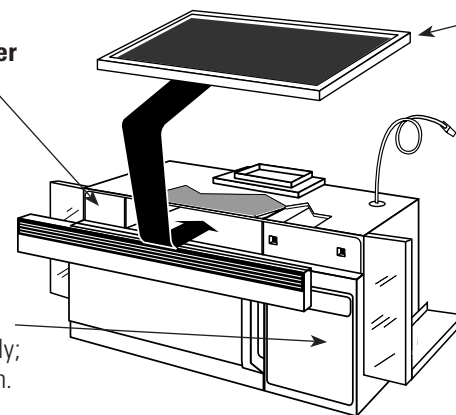
Important Information: When installing the Counter Saver Plus microwave oven over a range, allow minimum of 2" from bottom of Counter Saver Plus microwave oven to top of range backguard to allow for removal of light covers.

Installation Information: This information is not intended to be used for installing unit described. Before installing, consult installation instructions packed with product/kit for current dimensional data.

Optional Accessories (Available at additional cost)

JX48BL – Black Filler Panel Kit

When replacing a 36" range hood, this kit fills in the additional width to provide a custom, built-in appearance. For installation between cabinets only; not for end-of-cabinet installation. Each kit contains two, 3"-wide filler panels.



JX81A – Recirculating Charcoal Filter Kit

To be used when the Counter Saver Plus microwave oven cannot be vented to the outside.

Ventilation Options: The Counter Saver Plus microwave oven is designed for adaptation for the following three types of ventilation:

Outside Exhaust (Vertical)

Outside Exhaust (Horizontal)

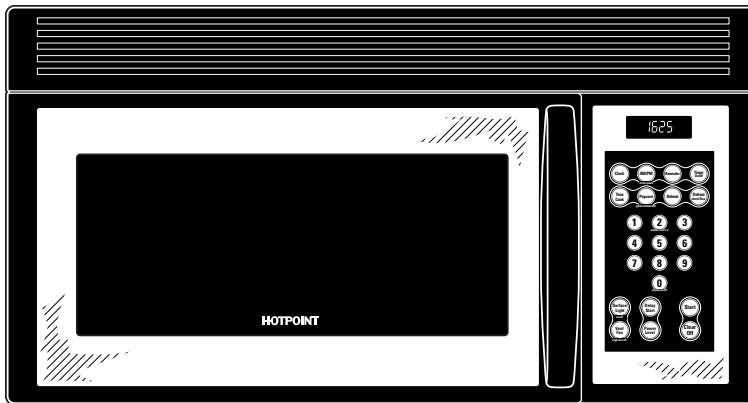
Recirculating (Non-vented ductless—see Filter Kit Drawing)

Note: Before installing, consult installation instructions for current dimensional data on these three types of ventilation.



HOTPOINT®

RVM1625SJ – Hotpoint Counter Saver Plus™ Microwave Oven



Features and Benefits

- 1.6 cu. ft. capacity – 1000 Watts (IEC-705 test procedure)
- Turntable – Continually rotates food to ensure even cooking
- Convenience cooking controls – Allows cooking and reheating at the touch of a button
- Auto/Time Defrost – Automatically defrosts for a specified amount of time
- Delay Start – Allows preprogramming of the oven start time, making it easy to plan ahead
- 10 Power Levels – Offer maximum cooking flexibility, from warming and reheating, to the full speed of microwave cooking at high power
- Timer on/off – Optional reminder signals when meals are done
- Model RVM1625SJ – Silver metallic

*IEC-705 Test Procedure