

CENTRALPNEUMATIC®

11 GAUGE INDUSTRIAL ROOFING NAILER

Model 67450

SET UP AND OPERATING INSTRUCTIONS



Visit our website at: <http://www.harborfreight.com>



Read and understand tool labels and manual. Failure to follow warnings could result in DEATH or SERIOUS INJURY. SAVE THIS MANUAL.

Copyright© 2009 by Harbor Freight Tools®. All rights reserved. No portion of this manual or any artwork contained herein may be reproduced in any shape or form without the express written consent of Harbor Freight Tools. Diagrams within this manual may not be drawn proportionally. Due to continuing improvements, actual product may differ slightly from the product described herein. Tools required for assembly and service may not be included.

For technical questions or replacement parts, please call 1-800-444-3353.

Manual Revised 10g

SAVE THIS MANUAL

Keep this manual for the safety warnings and precautions, assembly, operating, inspection, maintenance and cleaning procedures. Write the product's serial number in the back of the manual near the assembly diagram (or month and year of purchase if product has no number). Keep this manual and the receipt in a safe and dry place for future reference.

Safety Alert Symbol and Signal Words

In this manual, on the labeling, and all other information provided with this product:



This is the safety alert symbol. It is used to alert you to potential personal injury hazards. Obey all safety messages that follow this symbol to avoid possible injury or death.

DANGER

DANGER indicates a hazardous situation which, if not avoided, will result in death or serious injury.

WARNING

WARNING indicates a hazardous situation which, if not avoided, could result in death or serious injury.

CAUTION

CAUTION, used with the safety alert symbol, indicates a hazardous situation which, if not avoided, could result in minor or moderate injury.







NOTICE

NOTICE is used to address practices not related to personal injury.

CAUTION

CAUTION, without the safety alert symbol, is used to address practices not related to personal injury.

Symbol Definitions

Symbol	Property or statement
PSI	Pounds per square inch of pressure
CFM	Cubic Feet per Minute flow
SCFM	Cubic Feet per Minute flow at standard conditions
NPT	National pipe thread, tapered
NPS	National pipe thread, straight
	WARNING marking concerning Risk of Eye Injury. Wear ANSI-approved safety goggles with side shields.
	Warning marking concerning Risk of Puncture Injury. Wear heavy-duty work gloves.
	Read the manual before set-up and/or use.
	WARNING marking concerning Risk of Hearing Loss. Wear hearing protection.
	WARNING marking concerning Risk of Respiratory Injury. Wear NIOSH-approved dust mask/respirator.
	WARNING marking concerning Risk of Explosion.

IMPORTANT SAFETY INSTRUCTIONS

INSTRUCTIONS PERTAINING TO A RISK OF FIRE, ELECTRIC SHOCK, OR INJURY TO PERSONS

WARNING – When using tools, basic precautions should always be followed, including the following:

General




- a. **To reduce the risks of electric shock, fire, and injury to persons, read all the instructions before using the tool.**

Work area

- a. **Keep the work area clean and well lighted.** Cluttered benches and dark areas increase the risks of electric shock, fire, and injury to persons.
- b. **Do not operate the tool in explosive atmospheres, such as in the presence of flammable liquids, gases, or dust.** The tool is able to create sparks resulting in the ignition of the dust or fumes.
- c. **Keep bystanders, children, and visitors away while operating the tool.** Distractions are able to result in the loss of control of the tool.

Personal safety

- a. **Stay alert. Watch what you are doing and use common sense when operating the tool. Do not use the tool while tired or under the influence of drugs, alcohol, or medication.** A moment of inattention while operating the tool increases the risk of injury to persons.

- b. **Dress properly. Do not wear loose clothing or jewelry. Contain long hair. Keep hair, clothing, and gloves away from moving parts.** Loose clothes, jewelry, or long hair increases the risk of injury to persons as a result of being caught in moving parts.
- c. **Avoid unintentional starting. Be sure the trigger is released before connecting to the air supply.** Do not carry the tool with your finger on the trigger or connect the tool to the air supply with the trigger pressed.
- d. **Do not overreach. Keep proper footing and balance at all times.** Proper footing and balance enables better control of the tool in unexpected situations.
- e.  **Use safety equipment.** A dust mask, non-skid safety shoes and a hard hat must be used for the applicable conditions. Wear heavy-duty work gloves during use.
- f.  **Always wear eye protection.** Wear ANSI-approved safety goggles with side shields.
- g.  **Always wear hearing protection when using the tool.** Prolonged exposure to high intensity noise is able to cause hearing loss.
- h. **Do not attach the hose or tool to your body.** Attach the hose to the structure to reduce the risk of loss of balance if the hose shifts.
- i. **Always assume that the tool contains fasteners.** Do not point the tool toward yourself or anyone whether it contains fasteners or not.

- j. **WARNING – Do not fire fastener on top of another fastener.** This is able to cause the fastener to be deflected and hit someone, or cause the tool to react and result in a risk of injury to persons.
- k. **WARNING – Remove finger from the trigger when not driving fasteners.** Never carry the tool with finger on trigger, the tool is able to fire a fastener.

Tool use and care


- a. ***Use clamps or another practical way to secure and support the workpiece to a stable platform.*** Holding the work by hand or against the body is unstable and can lead to loss of control.
- b. **Do not force the tool.** Use the correct tool for the application. The correct tool will do the job better and safer at the rate for which the tool is designed.
- c. **Do not use the tool if the trigger does not turn the tool on or off.** Any tool that cannot be controlled with the trigger is dangerous and must not be used until repaired.
- d. **Disconnect the tool from the air source before making adjustments, doing tool maintenance, clearing jams, touching the safety nosepiece, leaving work area, loading, or unloading the tool.** Such precautionary measures reduce the risk of injury to persons.
- e. ***Store the tool when it is idle out of reach of children and other untrained persons.*** A tool is dangerous in the hands of untrained users.
- f. **Maintain the tool with care.** A properly maintained tool reduces the risk of binding and is easier to control.

- g. **Check for misalignment or binding of moving parts, breakage of parts, and any other condition that affects the tool's operation.** If damaged, have the tool serviced before using. Many accidents are caused by poorly maintained tools. There is a risk of bursting if the tool is damaged.
- h. **Use only accessories that are identified by the manufacturer for the specific tool model.** Use of an accessory not intended for use with the specific tool model, increases the risk of injury to persons.
- i. **Use only those fasteners listed in the Specifications chart of this manual.** Fasteners not identified for use with this tool by the tool manufacturer are able to result in a risk of injury to persons or tool damage when used in this tool.

Service

- a. ***Tool service must be performed only by qualified repair personnel.***
- b. **When servicing a tool, use only identical replacement parts. Use only authorized parts.**
- c. **Use only the lubricants supplied with the tool or specified by the manufacturer.**

Air source

- a.  **Never connect to an air source that is capable of exceeding 200 PSI.** Over pressurizing the tool may cause bursting, abnormal operation, breakage of the tool or serious injury to persons. Use only clean, dry, regulated compressed air at the rated pressure or within the rated pressure range as marked on the tool. Always verify prior to

using the tool that the air source has been adjusted to the rated air pressure or within the rated air-pressure range.

- b. **Never use oxygen, carbon dioxide, combustible gases or any bottled gas as an air source for the tool.** Such gases are capable of explosion and serious injury to persons.



SAVE THESE INSTRUCTIONS.

SPECIFIC SAFETY INSTRUCTIONS

1. **Operators and others in work area MUST wear ANSI-approved safety goggles with side shields during use.** The employer is responsible to enforce the use of eye protection by the operator and others in the work area.
2. **Keep fingers away from trigger when not driving fasteners to avoid accidental firing.**
3. **Choice of triggering method is important. Check manual for triggering options.**
4. Always assume the tool contains fasteners.
5. Do not point the tool toward yourself or anyone whether it contains fasteners or not.
6. Do not actuate the tool unless the tool is placed firmly against the workpiece.
7. Respect the tool as a working implement.
8. No horseplay. This tool is not a toy and can be deadly if misused.
9. Do not load the tool with fasteners when any one of the operating controls, such as the Trigger or Safety Nosepiece, is activated.
10. Do not remove, tamper with, or otherwise cause the tool operating controls to become inoperable.
11. Do not operate the tool if any portion of the tool operating controls is inoperable, disconnected, altered, or not working properly.
12. Disconnect the tool from the air supply when:
 - a. Unattended.
 - b. Performing any maintenance or repair.
 - c. Clearing a jam.
 - d. Moving the tool to a new location.
13. Do not make any modifications to this tool.
14. Refer to the tool maintenance instructions for detailed information on the proper maintenance of the tool.
15. Fire fasteners into an appropriate work surface only. Do not attempt to fire fasteners into surfaces too hard to penetrate. Do not drive fasteners on top of other fasteners, or at too steep of an angle. Fasteners can ricochet causing personal injury.
16. Do not fire fasteners too close to the edge of a workpiece. They may split the workpiece and fly free, causing personal injury.
17. Keep clear of the workpiece near the area being fastened. Fasteners may bend sideways during firing, causing them to exit the workpiece at an unexpected point, causing personal injury.
18. Transport tool safely. Always disconnect air supply when moving the tool. Carry

the tool by the handle and avoid contact with the trigger.

19. Hold tool away from head and body. During operation the tool may kick back causing injury.
20. Do not fire fasteners into a workpiece that has people, utility lines, or other objects behind or inside it.
21. Keep balance while using this tool. Keep area below clear if working in an elevated location, and secure air hose to prevent falls from bystanders accidentally pulling on it.
22. Obey the manual for the air compressor used to power this tool.
23. Install an in-line shutoff valve to allow immediate control over the air supply in an emergency, even if a hose is ruptured.
24. Do not engrave or stamp anything into the housing to avoid weakening it.
25. **WARNING:** Some dust created by power sanding, sawing, grinding, drilling, and other construction activities, contains chemicals known [to the State of California] to cause cancer, birth defects or other reproductive harm. Some examples of these chemicals are:
 - Lead from lead-based paints
 - Crystalline silica from bricks and cement or other masonry products
 - Arsenic and chromium from chemically treated lumberYour risk from these exposures varies, depending on how often you do this type of work. To reduce your exposure to these chemicals: work in a well ventilated area, and work with approved safety equipment, such as those dust masks that are specially designed to filter out microscopic particles. (California Health & Safety Code § 25249.5, *et seq.*)

WARNING: The brass components of this product contain lead, a chemical known to the State of California to cause birth defects (or other reproductive harm). (California Health & Safety code § 25249.5, *et seq.*)

26. The warnings and precautions discussed in this manual cannot cover all possible conditions and situations that may occur. It must be understood by the operator that common sense and caution are factors which cannot be built into this product, but must be supplied by the operator.

Vibration Precautions

This tool vibrates during use. Repeated or long-term exposure to vibration may cause temporary or permanent physical injury, particularly to the hands, arms and shoulders. To reduce the risk of vibration-related injury:

1. Anyone using vibrating tools regularly or for an extended period should first be examined by a doctor and then have regular medical check-ups to ensure medical problems are not being caused or worsened from use. Pregnant women or people who have impaired blood circulation to the hand, past hand injuries, nervous system disorders, diabetes, or Raynaud's Disease should not use this tool. If you feel any symptoms related to vibration (such as tingling, numbness, and white or blue fingers), seek medical advice as soon as possible.
2. Do not smoke during use. Nicotine reduces the blood supply to the hands and fingers, increasing the risk of vibration-related injury.
3. Wear suitable gloves to reduce the vibration effects on the user.

4. Use tools with the lowest vibration when there is a choice between different processes.
5. Include vibration-free periods each day of work.
6. Grip tool as lightly as possible (while still keeping safe control of it). Let the tool do the work.
7. To reduce vibration, maintain tool as explained in this manual. If abnormal vibration occurs, stop immediately.



**SAVE THESE
INSTRUCTIONS.**

FUNCTIONAL DESCRIPTION

70-120 PSI

Specifications

Operating Air Pressure	65-90 PSI Maximum
Air Inlet	1/4" -18 NPT
Fastener Capacity	.120" Dia. Shank, 3/4" ~ 1-3/4", (120 capacity)
Air Consumption	2 SCFM @ 90 PSI 7 SCFM (For Continuous Use)
Safety	Full Sequential Safety
Accessories	Air Tool Oil Hex Wrenches (3mm, 4mm, 5mm) Nail Coil (7/8" Nails)

Safety Nosepiece - Also called the workpiece contact, the Safety Nosepiece helps prevent the tool from firing unless it is pressed against an object.

INITIAL TOOL SET UP/ ASSEMBLY



Read the **ENTIRE IMPORTANT SAFETY INFORMATION** section at the beginning of this manual including all text under subheadings therein before set up or use of this product.

Note: For additional information regarding the parts listed in the following pages, refer to the Assembly Diagram near the end of this manual.

Unpacking

When unpacking, make sure that the item is intact and undamaged. If any parts are missing or broken, please call Harbor Freight Tools at 1-800-444-3353 as soon as possible.

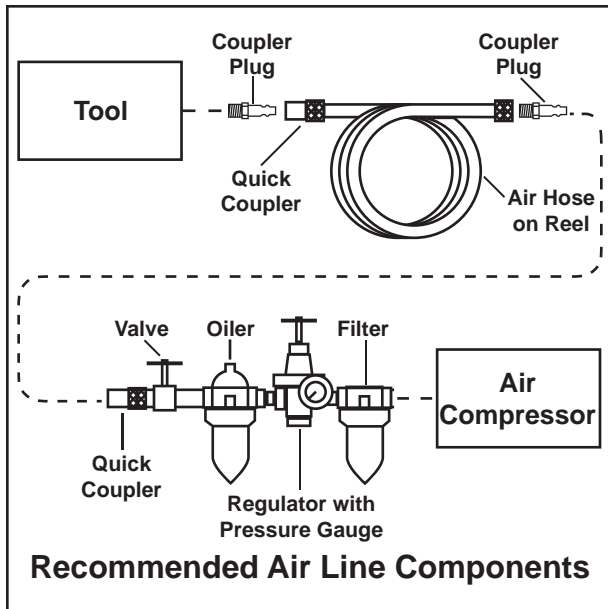
- This air tool may be shipped with a protective plug covering the air inlet. Remove this plug before set up.

Air Supply

⚠️ WARNING TO PREVENT EXPLOSION:



Use only clean, dry, regulated, compressed air to power this tool. Do not use oxygen, carbon dioxide, combustible gases, or any other bottled gas as a power source for this tool.



1. Incorporate a filter, regulator with pressure gauge, oiler, in-line shutoff ball valve, and quick coupler for best service, as shown in the diagram above. **An in-line shutoff ball valve is an important safety device because it controls the air supply even if the air hose is ruptured. The shutoff valve should be a ball valve because it can be closed quickly.**

Note: If an automatic oiler system is not used, add a few drops of Pneumatic Tool Oil into the tool at the airline connection before operation. Add a few more drops after each hour of continual use.

2. Attach an air hose to the compressor's air outlet. Connect the air hose to the air inlet of the tool. Other components, such as a coupler plug and quick coupler, will make operation more efficient, but are not required. Attachment of a coiled air hose (sold separately) will add versatility to this tool.

⚠️ WARNING! TO PREVENT SERIOUS INJURY FROM ACCIDENTAL OPERATION:

Do not install a female quick coupler on the tool. Such a coupler contains an air valve that will allow the air tool to retain pressure and operate accidentally after the air supply is disconnected.

Note: Air flow, and therefore tool performance, can be hindered by undersized air supply components.

3. The air hose must be long enough to reach the work area with enough extra length to allow free movement while working.
4. Release the tool's trigger.
5. Close the in-line safety valve between the compressor and the tool.

6. Turn on the air compressor according to the manufacturer's directions and allow it to build up pressure until it cycles off.
7. Adjust the air compressor's output regulator so that the air output is enough to properly power the tool, but the output will not exceed the tool's maximum air pressure at any time. Adjust the pressure gradually, while checking the air output gauge for the right pressure range.
8. The air pressure setting must not exceed job site regulations/restrictions. The air pressure setting must not exceed 90 PSI when being used with work pieces that have a thickness of less than 1-3/4".
9. Inspect the air connections for leaks. Repair any leaks found.
10. If the tool will not be used at this time, turn off and detach the air supply, safely discharge any residual air pressure, and release the trigger to prevent accidental operation.

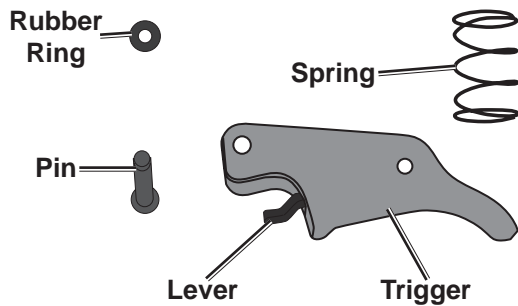
Note: Residual air pressure should not be present after the tool is disconnected from the air supply. However, it is a good safety measure to attempt to discharge the tool in a safe fashion after disconnecting to ensure that the tool is disconnected and unpowered.

Trigger Installation

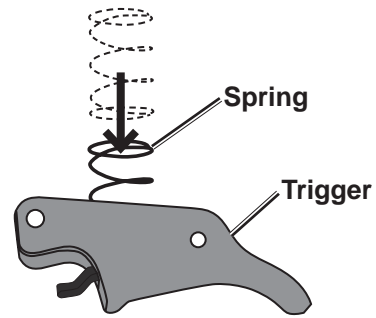
Note: This tool includes an additional trigger to allow another triggering option.

- The **BLACK** Trigger enables ~~single-~~^{Full}**sequential** operation. This operation is **safer** and should be used whenever practical.
- The **RED** Trigger enables **contact trip / bump fire** operation. This operation is more dangerous. **Only a skilled operator who is aware of the hazards and uses proper, safe work practices should use contact trip / bump fire operation.**

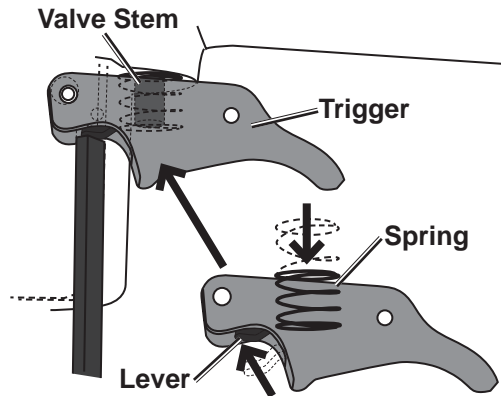
1. **WARNING!** To prevent serious injury from accidental firing, disconnect air supply, point nailer in a safe direction, and release pressure before changing trigger.



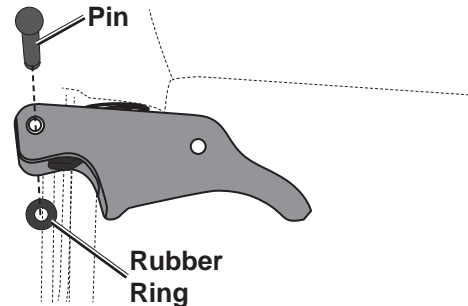
2. Remove Pin and Rubber Ring from current Trigger.
3. Remove current Trigger. Remove Spring and store unused Trigger in secure dry place.



4. Place Spring into desired Trigger.



5. Hold down Spring and Lever while placing Trigger over valve stem.



6. Insert Pin, and place Rubber Ring over end of Pin.
7. Check Trigger for proper operation and test safety operation according to the instructions that follow.

OPERATING INSTRUCTIONS



Read the **ENTIRE IMPORTANT SAFETY INFORMATION** section at the beginning of this manual including all text under subheadings therein before set up or use of this product.

Inspect tool before use, looking for damaged, loose, and missing parts. If any problems are found, do not use tool until repaired.

Work Piece and Work Area Set Up

1. Designate a work area that is clean and well-lit. The work area must not allow access by children or pets to prevent distraction and injury.
2. Route the air hose along a safe path to reach the work area without creating a tripping hazard or exposing the air hose to possible damage. The air hose must be long enough to reach the work area with enough extra length to allow free movement while working.
3. There must not be hazardous objects (such as utility lines or foreign objects) nearby that will present a hazard while working.

Contact Safety Trip (Bump Fire) Mechanism Definition

The **RED TRIGGER** enables a contact safety trip (or bump fire) mechanism, which allows rapid fire. The tool should only fire if the Safety Nosepiece is pressed against the workpiece and the trigger is pulled. It should fire again if the trigger is released and pulled OR if the safety is lifted and pressed against the workpiece again. The Tool should not fire if the Safety Nosepiece is not pressed against an object. **Contact safety trip / bump fire should only be enabled and**

used by skilled operators who are aware of the hazards and use proper, safe work practices.

Contact Safety Trip (Bump Fire) Mechanism Testing Procedure

WARNING TO PREVENT SERIOUS INJURY

FROM ACCIDENTAL OPERATION:

Empty the tool before this procedure. Point the tool at a piece of scrap wood when testing.

1. Disconnect the tool from the air supply.
2. Empty the magazine of fasteners.
3. Check that the Trigger and the Safety Nosepiece move freely, without sticking.
4. Connect the air supply to the tool and set within the Operating Air Pressure indicated on the Specification chart.
5. Test the tool by pressing the Safety Nosepiece against the workpiece without pulling the Trigger. **The tool must not cycle (fire)**. If it cycles (fires), stop immediately and take the tool to a qualified service technician for repair.
6. Hold the tool away, or off of the workpiece. The Safety Nosepiece should return to its original position. Squeeze the Trigger. **The tool must not cycle (fire)**. If it cycles (fires), stop immediately and take the tool to a qualified service technician.
7. Press the Safety Nosepiece against the workpiece and squeeze the Trigger. **The tool must cycle (fire) only once**. Release the trigger and squeeze it again. **The tool must cycle (fire) again only once**. With the Trigger held, carefully lift the tool and press it against

REV 10g

the workpiece again. **The tool must cycle (fire) again Fully once.** If it fails to act in the manner explained in bold, have it repaired by a qualified service technician.

Single Sequential Safety Trip Mechanism Definition

The **BLACK TRIGGER** enables a **single** sequential safety trip mechanism, which is designed to prevent inadvertent firing. The tool should only fire if the Safety Nosepiece is pressed against the workpiece prior to pulling the Trigger. It should only fire Fully again if the trigger is released and squeezed again. The Tool should not fire if the Safety Nosepiece is not pressed against an object.

Single Sequential Safety Trip Mechanism Testing Procedure

⚠ WARNING TO PREVENT SERIOUS INJURY FROM ACCIDENTAL OPERATION:
Empty the tool before this procedure. Point the tool at a piece of scrap wood when testing.

1. Disconnect the tool from the air supply.
2. Empty the canister of fasteners.
3. Check that the Trigger and the Safety Nosepiece move freely, without sticking.
4. Connect the air supply to the tool and set within the Operating Air Pressure indicated on the Specification chart.
5. Test the tool by pressing the Safety Nosepiece against the workpiece without pulling the Trigger. **The tool must not cycle (fire).** If it cycles (fires), stop immediately and take the tool to a qualified service technician for repair.

6. Hold the tool away, or off of the workpiece. The Safety Nosepiece should return to its original position. Squeeze the Trigger. **The tool must not cycle (fire).** If it cycles (fires), stop immediately and take the tool to a qualified service technician.
7. Press the Safety Nosepiece against the workpiece and squeeze the Trigger. **The tool must cycle (fire) only once.** Release the trigger and squeeze it again. **The tool must cycle (fire) again only once.** With the Trigger held, carefully lift the tool and press it against the workpiece again. **The tool must not cycle (fire).** If it fails to act in the manner explained in bold, have it repaired by a qualified service technician.

Loading the Tool

⚠ WARNING TO PREVENT SERIOUS INJURY FROM ACCIDENTAL OPERATION, BEFORE LOADING:



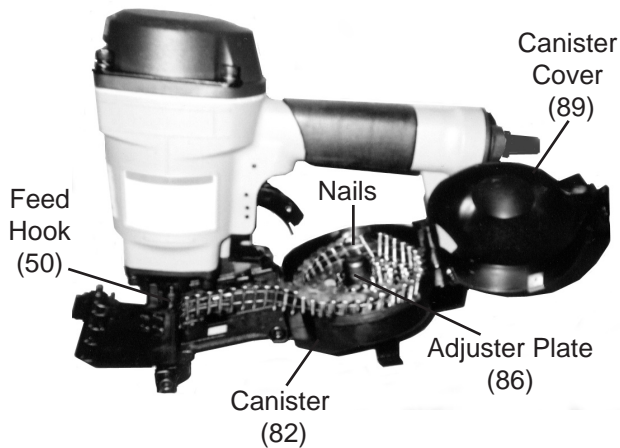
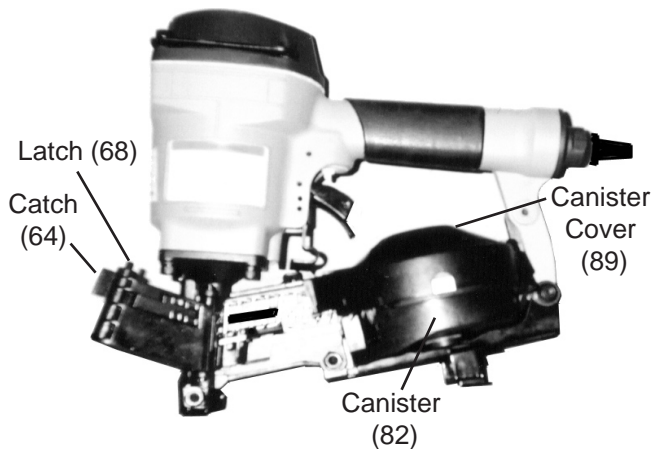
- **Wear ANSI-approved safety goggles with side shields.** Other people in the work area must also wear ANSI-approved safety goggles with side shields.
 - **Release the trigger.**
 - **Detach the air supply.**
 - **Attempt to fire the Tool into a piece of scrap wood to ensure that it is disconnected and is incapable of firing any fasteners.**
1. To open the Canister (82), push down on the Latch (68) and swing the Catch (64) and the Canister Cover (89) open. See photos above right.
 2. Check the Adjuster Plate (86) inside the Canister (82). The Platform height is adjustable by rotating the Adjuster Nut

(88). The Platform can be adjusted up and down to use various lengths of nails from $\frac{3}{4}$ " to $1\text{-}\frac{3}{4}$ ":

A. Between $\frac{3}{4}$ " and 1" Long Nails
(Use top setting).

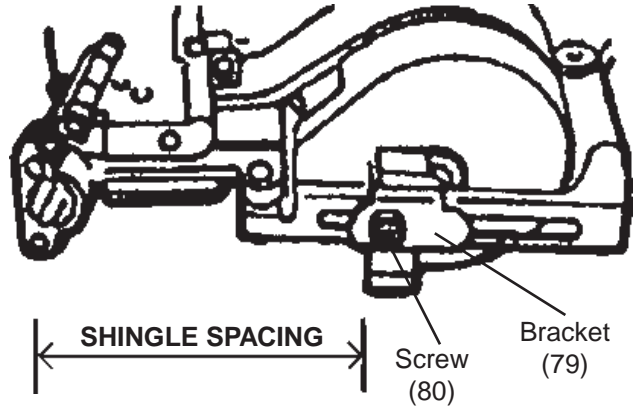
B. Between 1" and 1-1/4" Long Nails
(Use middle setting).

C. Between 1-1/4" and 1-3/4" Long Nails
(Use bottom setting).



3. Turn the Adjuster Nut (88) clockwise to raise the Adjuster Plate (86) until its edge aligns with the embossed nail size markings on the inside wall of the Canister.
4. Place a coil of Nails around the Adjuster Plate (86) in the Nail Canister (82). See photo, above.

5. Swing the Canister Cover (89) closed. Then, close the Catch (64). Make sure the Latch closes securely. If it does not engage, the nail head is not in the slot in the upper portion of the Feed Hook (50) and nail shank is not in the feeder.



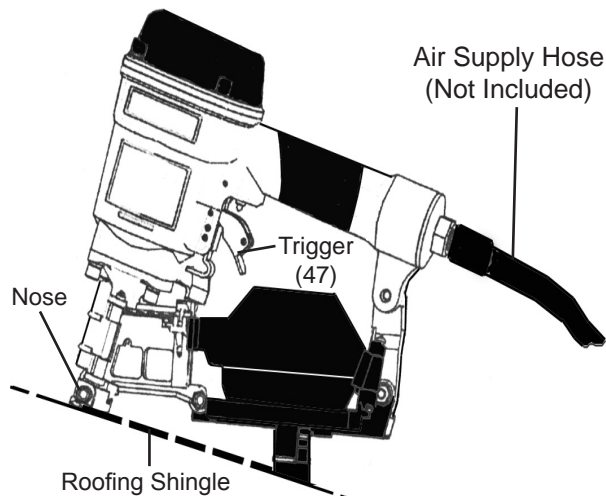
BOTTOM VIEW

6. To adjust the Shingle Bracket: The Bracket (79) controls roof shingle spacing. To adjust the Bracket to work with a particular width of shingles, use the accessory Hex Wrench to loosen the Screw (80) on the Bracket. Slide the Bracket to the desired spacing. Then, retighten the Screw.

General Operating Instructions

1. Before each use, test the Tool as directed in the earlier section.
2. If an automatic oiler is not used, add a few drops of Pneumatic Tool Oil into the tool's airline connection before use. Add a few drops more after each hour of continual use.
3. Keep all moving parts free from dirt, tar, and debris. Clean and oil all moving parts before each use.
4. Attach the Nailer to the air supply at the Air Inlet (93). Start your compressor and check the pressure, making sure it is set

at the recommended 65-90 PSI and do not exceed 90 PSI.



5. To fire, place the nose of the Nailer on the workpiece and push down until it stops. Pull the Trigger to fire one nail.

Note: The Nailer should not fire if the Nose is not fully depressed.

6. To fire another nail, lift the Nose of the Nailer off the workpiece and release the trigger. Repeat previous step to fire. Avoid forcing the nose in an angle. **Do not fire nails on top of each another or into any hard object. Nails could bounce off, damaging the workpiece or causing PERSONAL INJURY.**
7. Do not press the Nose of the Roofing Nailer against the work surface with excess force. Allow the tool to do the work. Always allow the tool to recoil off the workpiece.

KEEP THE NAILER CLEAN!

While working on roofs, tar and dirt may build up on the Nose of the Roofing Nailer. This can prevent normal operation. Remove buildup with a nonflammable solvent. NEVER use gasoline or other flammable solvents. Do not immerse Roofing Nailer in an approved solvent beyond the height of the nail heads, to avoid getting the

solvent into the drive cylinder of the tool. Make sure to dry off the Roofing Nailer before use. Any oil film left after cleanup will accelerate tar buildup.

8. When finished using the Roofing Nailer, always disconnect the tool from its compressed air supply. Attempt to fire the Roofing Nailer into a piece of scrap wood to ensure it is disconnected and is incapable of firing any nails. Remove the nails from the Nail Canister (82).
9. Make sure to store Roofing Nailer in a clean, dry, safe location out of reach of children.
10. If the tool requires more force to accomplish the task, verify that the tool receives sufficient, unobstructed airflow (CFM) and increase the pressure (PSI) output of the regulator up to the maximum air pressure rating of this tool. **CAUTION! TO PREVENT TOOL AND ACCESSORY FAILURE, RESULTING IN INJURY: Do not exceed the tool's maximum air pressure rating.**
11. Clean external surfaces with clean, dry cloth. Then store the tool indoors out of children's reach.

USER-MAINTENANCE INSTRUCTIONS



Procedures not specifically explained in this manual must be performed only by a qualified technician.

WARNING

TO PREVENT SERIOUS INJURY

FROM ACCIDENTAL OPERATION, BEFORE ANY MAINTENANCE OR REPAIRS ARE DONE (including clearing jams):



- Wear ANSI-approved safety goggles with side shields. Other people in the work area must also wear ANSI-approved impact safety goggles with side shields.
- Release the trigger.
- Detach the air supply.
- Attempt to fire the Tool into a piece of scrap wood to ensure that it is incapable of firing any fasteners.
- Empty Canister and leave it open during service.

TO PREVENT SERIOUS INJURY FROM TOOL FAILURE: Do not use damaged equipment. If abnormal noise, vibration, or air leaks is detected, have the problem corrected before further use.



TO PREVENT EXPLOSION: Lubricate only with specified lubricants. Lubricate air inlet using only pneumatic tool oil. Lubricate internal mechanism using only white lithium grease. Other lubricants may damage the mechanism and may be highly flammable, causing an explosion.

Note: These procedures are in addition to the regular checks and maintenance explained as part of the regular operation of the air-operated tool.

Daily - Air Supply Maintenance:

Every day, perform maintenance on the air supply according to the component manufacturers' instructions. The lubricator's oil level needs to be maintained and the moisture filter must be regularly drained. Performing routine maintenance on the air supply will allow the tool to operate more efficiently and will also reduce wear on the tool.

Clearing Jams

WARNING

TO PREVENT SERIOUS INJURY

FROM ACCIDENTAL OPERATION, BEFORE ANY MAINTENANCE OR REPAIRS ARE DONE (including clearing jams):



- Wear ANSI-approved safety goggles with side shields. Other people in the work area must also wear ANSI-approved impact safety goggles with side shields.
- Release the trigger.
- Detach the air supply.
- Attempt to fire Tool into piece of scrap wood to ensure that it is incapable of firing any fasteners.
- Empty Canister and leave it open during service.

1. Occasionally a nail may become jammed in the firing mechanism of Nailer, making the tool inoperable.
2. Remove and discard all jammed/damaged nails from the nailer. Detach and discard all damaged or improperly collated nails from the coil. Examine the nailer for any broken, worn or damaged parts. If any part appears damaged

- or worn, have the tool repaired by a qualified service technician.
3. Replace the coil of nails into the Roofing Nailer. Close Canister Cover (89) and Catch (64) securely. Then reconnect air hose to the tool.
 4. Test fire nailer into a piece of scrap wood repeatedly to test for proper operation. If nailer does not function properly, have tool serviced by a qualified technician.

Troubleshooting

Problem	Possible Causes	Likely Solutions
Insufficient fastener depth.	<ol style="list-style-type: none"> 1. Incorrect tool depth setting. 2. Not enough air pressure. 3. Incorrect lubrication or not enough lubrication. 4. Blocked air inlet screen (if equipped). 5. Mechanism contaminated. 	<ol style="list-style-type: none"> 1. Adjust depth setting, if available. 2. Check for loose connections and make sure that air supply is providing adequate air pressure (PSI) to the tool's air inlet. Do not exceed maximum air pressure. 3. Lubricate using air tool oil and grease according to directions. 4. Clean air inlet screen of buildup. 5. Have qualified technician clean and lubricate mechanism. Install in-line filter in air supply as stated in Initial Set Up: Air Supply.
Fasteners drive too deeply.	<ol style="list-style-type: none"> 1. Incorrect tool depth setting. 2. Too much air pressure. 	<ol style="list-style-type: none"> 1. Adjust depth setting, if available. 2. Reduce air supply pressure (PSI).
Tool cycles without firing fastener.	<ol style="list-style-type: none"> 1. Jammed fastener. 2. Tool empty. 3. Incorrect fasteners used. 4. Magazine dirty or not lubricated properly. 5. Insufficient air flow. 	<ol style="list-style-type: none"> 1. Clear jammed fastener according to Clearing Jams instructions. 2. Fill with correct fasteners. 3. Empty, then load with correct fasteners. 4. Clean and lubricate magazine and pusher. 5. Check for loose connections and make sure that air supply is providing enough air flow (CFM) and pressure (PSI) to the tool's air inlet. Do not exceed maximum air pressure.
Frequent jamming.	<ol style="list-style-type: none"> 1. Incorrect fastener type. 2. Safety is stuck. 	<ol style="list-style-type: none"> 1. Confirm fastener diameter, type, length, angle, and collation type. Correct as needed. 2. Clean and lubricate with oil so safety moves freely
Severe air leakage. (Slight air leakage is normal, especially on older tools.)	<ol style="list-style-type: none"> 1. Cross-threaded housing components. 2. Loose housing. 3. Damaged valve or housing. 4. Dirty, worn or damaged valve. 	<ol style="list-style-type: none"> 1. Check for incorrect alignment and uneven gaps. If cross-threaded, disassemble and replace damaged parts before use. 2. Tighten housing assembly. If housing cannot tighten properly, internal parts may be misaligned. 3. Replace damaged components. 4. Clean or replace valve assembly.



Follow all safety precautions whenever diagnosing or servicing the tool. Disconnect air supply before service.

PLEASE READ THE FOLLOWING CAREFULLY

THE MANUFACTURER AND/OR DISTRIBUTOR HAS PROVIDED THE PARTS LIST AND ASSEMBLY DIAGRAM IN THIS MANUAL AS A REFERENCE TOOL ONLY. NEITHER THE MANUFACTURER OR DISTRIBUTOR MAKES ANY REPRESENTATION OR WARRANTY OF ANY KIND TO THE BUYER THAT HE OR SHE IS QUALIFIED TO MAKE ANY REPAIRS TO THE PRODUCT, OR THAT HE OR SHE IS QUALIFIED TO REPLACE ANY PARTS OF THE PRODUCT. IN FACT, THE MANUFACTURER AND/OR DISTRIBUTOR EXPRESSLY STATES THAT ALL REPAIRS AND PARTS REPLACEMENTS SHOULD BE UNDERTAKEN BY CERTIFIED AND LICENSED TECHNICIANS, AND NOT BY THE BUYER. THE BUYER ASSUMES ALL RISK AND LIABILITY ARISING OUT OF HIS OR HER REPAIRS TO THE ORIGINAL PRODUCT OR REPLACEMENT PARTS THERETO, OR ARISING OUT OF HIS OR HER INSTALLATION OF REPLACEMENT PARTS THERETO.

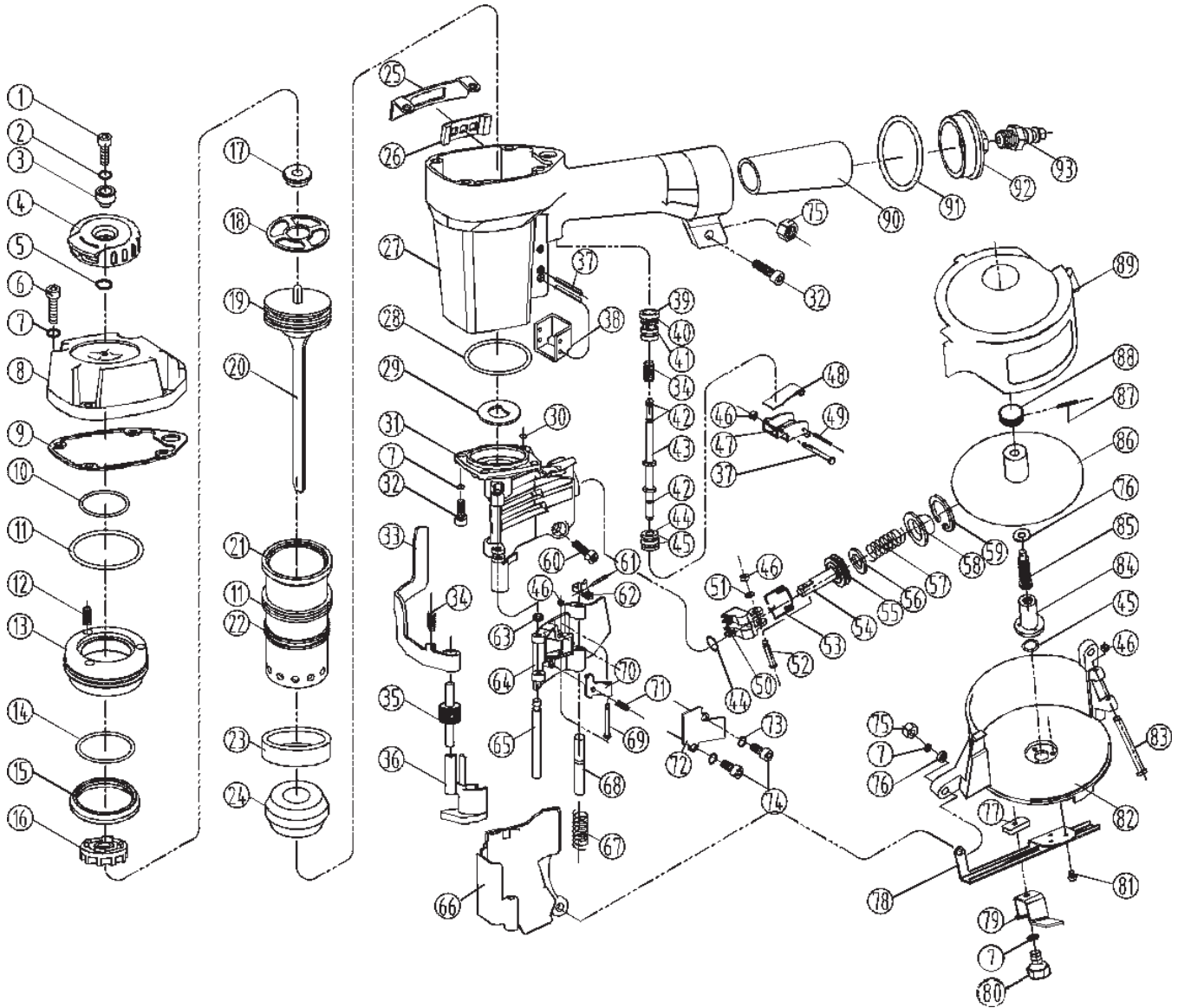
PARTS LIST

Part	Description
1	Screw
2	Spring Washer
3	Bushing
4	Exhaust Cover
5	Washer
6	Screw
7	Spring Washer
8	Cylinder Cap
9	Gasket
10	O-Ring 36.3x2.5
11	O-Ring 54.3x3
12	Spring
13	Valve
14	O-Ring 40.2x2.3
15	Valve Seal
16	Valve Seal
17	Stopper Washer
18	Washer
19	O-Ring 43.3x3.5
20	Piston Assembly
21	Cylinder
22	O-Ring 50.5x2.5
23	Cylinder Seal
24	Bumper
25	Protective Piece
26	Soft Spacer
27	Body
28	O-Ring 46x1.3
29	Restrictive Washer
30	O-Ring 8.3x1.8
31	Nose

Part	Description
32	Screw
33	Bracket
34	Spring
35	Adjuster
36	Safety
37	Spring Pin
38	Safe Bracket Guide
39	Trigger Valve Guide
40	O-Ring 12.8x1.9
41	O-Ring 14.3x1.9
42	O-Ring 6.4x1.5
43	Trigger Valve Stem
44	Trigger Valve Guide
45	O-Ring 12.3x1.9
46	Washer
47	Trigger
48	Trigger Spring
49	Spring Pin
50	Feed Hook
51	Washer
52	Feed Hook Pin
53	Torsion Spring
54	Piston
55	O-Ring 24.3x2.8
56	Piston Bumper
57	Spring
58	Cover
59	Locking Washer
60	Screw
61	Spring Pin
62	Handle

Part	Description
63	Washer
64	Catch
65	Pin
66	Protector
67	Spring
68	Latch
69	Pin
70	Stopper
71	Taper Spring
72	Block Plate
73	Spring Washer
74	Screw
75	Nut
76	Washer
77	Connecting Plate
78	Support
79	Bracket
80	Screw
81	Screw
82	Nail Canister
83	Pin
84	Adjuster Bushing
85	Adjuster Stem
86	Adjuster Plate
87	Spring Pin
88	Adjuster Nut
89	Canister Cover
90	Soft Grip Sleeve
91	O-Ring 48.5x2.5
92	End Cap
93	Air Inlet

ASSEMBLY DIAGRAM



Record Product's Serial Number Here: _____

Note: If product has no serial number, record month and year of purchase instead.

Note: Some parts are listed and shown for illustration purposes only, and are not available individually as replacement parts.

LIMITED 1 YEAR WARRANTY

Harbor Freight Tools Co. makes every effort to assure that its products meet high quality and durability standards, and warrants to the original purchaser that this product is free from defects in materials and workmanship for the period of one year from the date of purchase (90 days if used by a professional contractor or if used as rental equipment). This warranty does not apply to damage due directly or indirectly, to misuse, abuse, negligence or accidents, repairs or alterations outside our facilities, normal wear and tear, or to lack of maintenance. We shall in no event be liable for death, injuries to persons or property, or for incidental, contingent, special or consequential damages arising from the use of our product. Some states do not allow the exclusion or limitation of incidental or consequential damages, so the above limitation of exclusion may not apply to you. THIS WARRANTY IS EXPRESSLY IN LIEU OF ALL OTHER WARRANTIES, EXPRESS OR IMPLIED, INCLUDING THE WARRANTIES OF MERCHANTABILITY AND FITNESS.

To take advantage of this warranty, the product or part must be returned to us with transportation charges prepaid. Proof of purchase date and an explanation of the complaint must accompany the merchandise. If our inspection verifies the defect, we will either repair or replace the product at our election or we may elect to refund the purchase price if we cannot readily and quickly provide you with a replacement. We will return repaired products at our expense, but if we determine there is no defect, or that the defect resulted from causes not within the scope of our warranty, then you must bear the cost of returning the product.

This warranty gives you specific legal rights and you may also have other rights which vary from state to state.

**3491 Mission Oaks Blvd. • PO Box 6009 •
Camarillo, CA 93011 • (800) 444-3353**