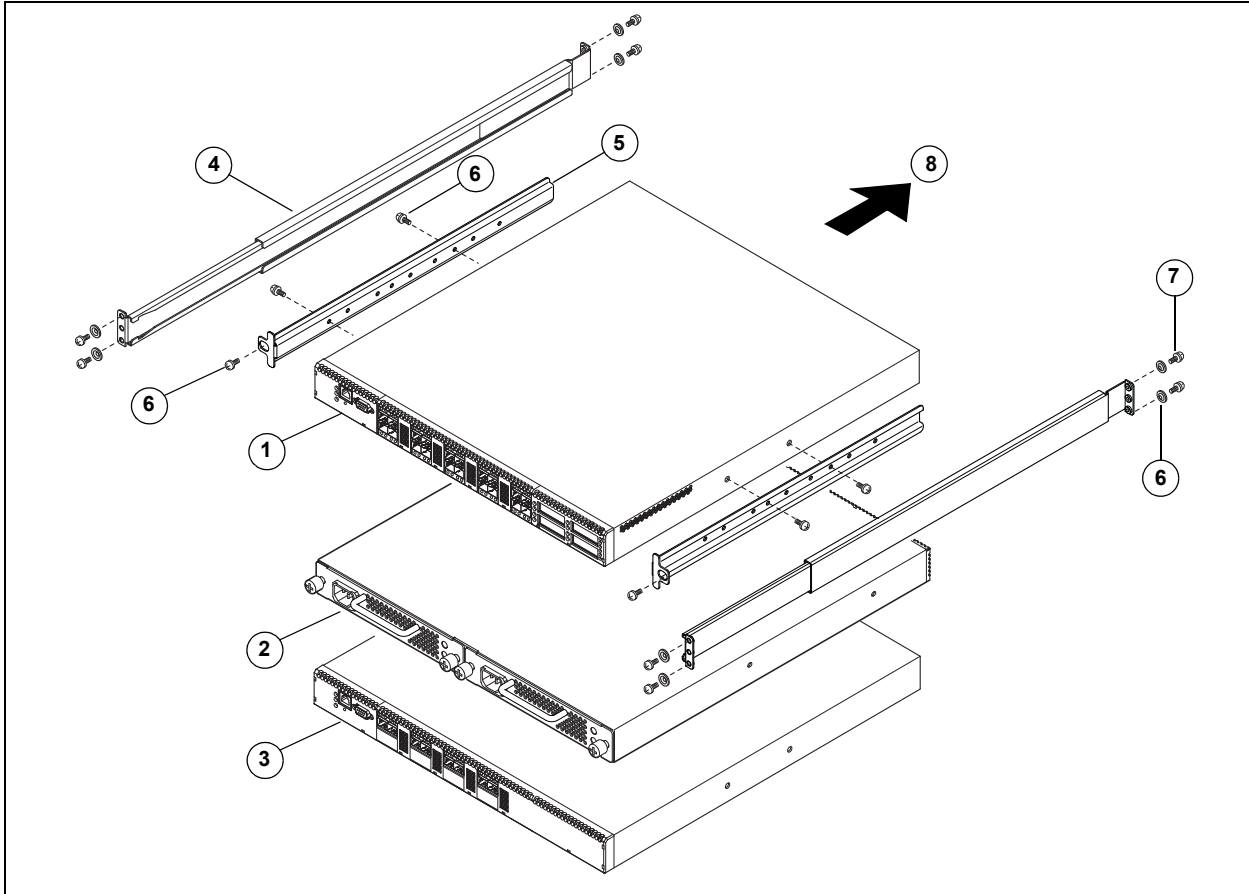


Rack Mounting Guide

Fibre Channel Switch

3800/5800 Series

Rail Kit SB-RACKKIT



- | | |
|---|---|
| 1. QLogic 5800/5802 (shown rear-facing) | 5. Switch rail (2) |
| 2. QLogic 5802 (shown front-facing) | 6. Screw, w/washer 10-32 x 3/8 in. (14) |
| 3. QLogic 3810 (shown rear-facing) | 7. Washer, centering ^a (8) |
| 4. Rack rail (2) | 8. Rack front |

^a For use only on racks with square holes.

This guide describes how to mount the QLogic 3810 and 5800V Series Fibre Channel switches in a rack using the rail kit (SB-RACKKIT). Switches can be mounted with the ports facing the front or rear of the rack as shown.

Tools Required

- Crosshead screw driver, medium

WARNING!!
Heavier products should be placed near the bottom of a rack or cabinet. A top-heavy rack can become unstable resulting in equipment damage or personal injury.



Install Switch Rails

Install the switch rails on the switch using two screws to secure each rail. The switch can be mounted flush or with a 1.25 inch setback depending on how you match the holes.

Install Rack Rails

Decide which direction you want the switch ports to face: toward the front or toward the rear of the rack. The following instructions show a rear-facing installation.

Extend the rack rails to fit the inner dimensions of the rack. The rail flanges on both ends fit inside the rack. Be sure that the inner rail is toward the rear of the rack.

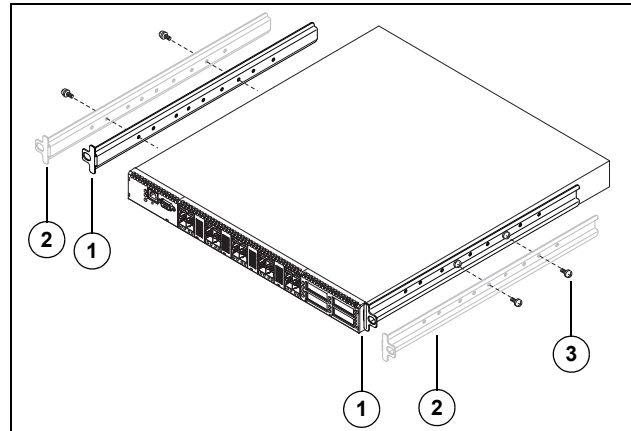
NOTE:

If the rack holes are square, use a centering washer with each screw.

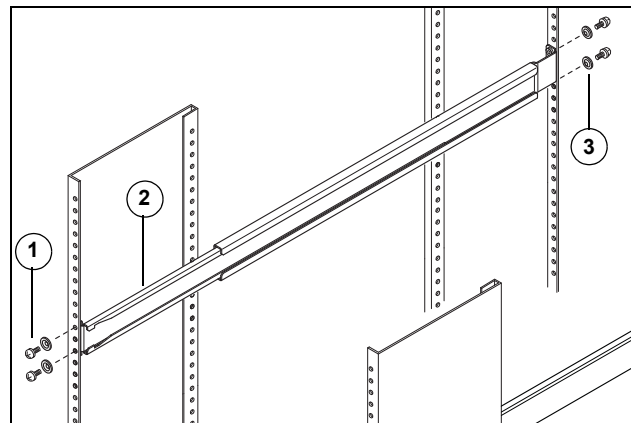
Fasten the rail flanges to the rack at both ends with two screws using the upper and lower holes.

Install the Switch

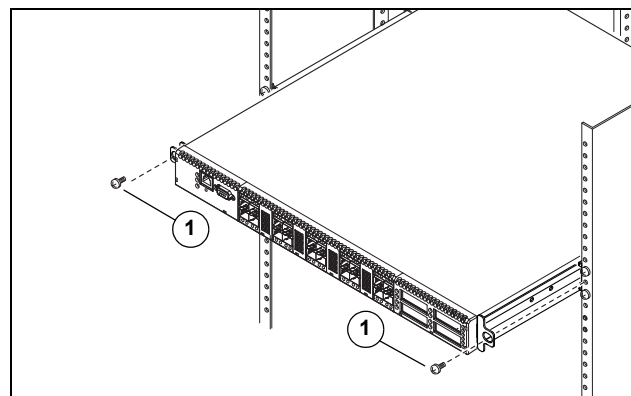
1. Slide the switch and rail assembly into the rack rails.
2. Fasten the switch to the rack with two screws: one through each switch rail flange.



1. Switch rails, flush mount
2. Switch rails, with setback
3. Screws, 10-32 x 3/8



1. Screws
2. Inner rack rail
3. Centering washer



1. Screws