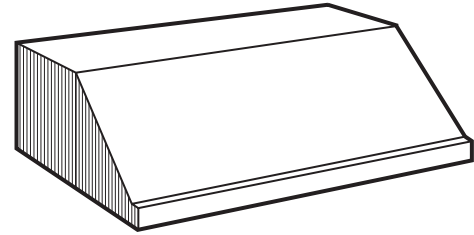


K210A SERIES RANGE HOOD



Provides high ventilation and durable construction to meet the needs of professional-style cooking appliances. A complete installation requires several optional components.

FEATURES

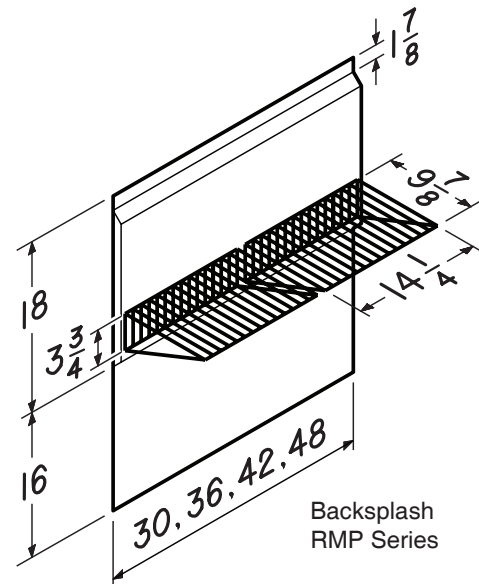
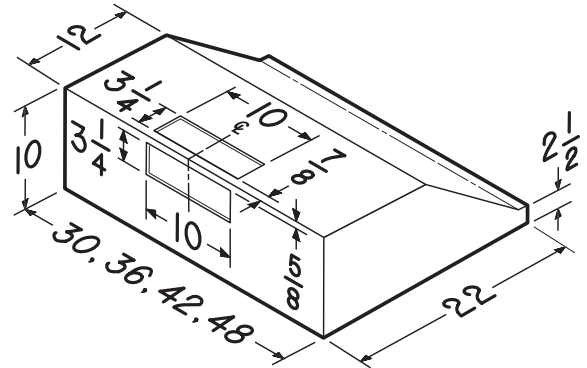
- 430 Stainless Steel construction and appliance colors in White and Black
- Hood width: 30", 36", 42" or 48"
- Halogen lighting (2 x 50 watt GU10 for 30" and 36" hood, 3 x 50 watt GU10 for 42" and 48" hood) Lamps included
- Switch controls: lighting, on-off, blower infinite speed
- Easily accessible, dishwasher-safe filters
- Heat Sentry turns blower ON to HIGH speed when excess heat is detected

OPTION

- Backsplash (RMP Series): Widths - 30", 36", 42" or 48" Stainless Steel construction - protects back wall and wipes clean easily
- Designed for use with interior blower models P5 or P8, exterior blower models EB6, EB9, EB12, or EB15, and in-line blower models ILB3, ILB6, ILB9 or ILB11 (Purchase blowers separately)
- Baffle filters available (BFK Series)

SPECIFICATIONS

120 VAC, 60 Hz
Amps for 30" and 36" hood (without blower): 0.8 A
Amps for 42" and 48" hood (without blower): 1.3 A



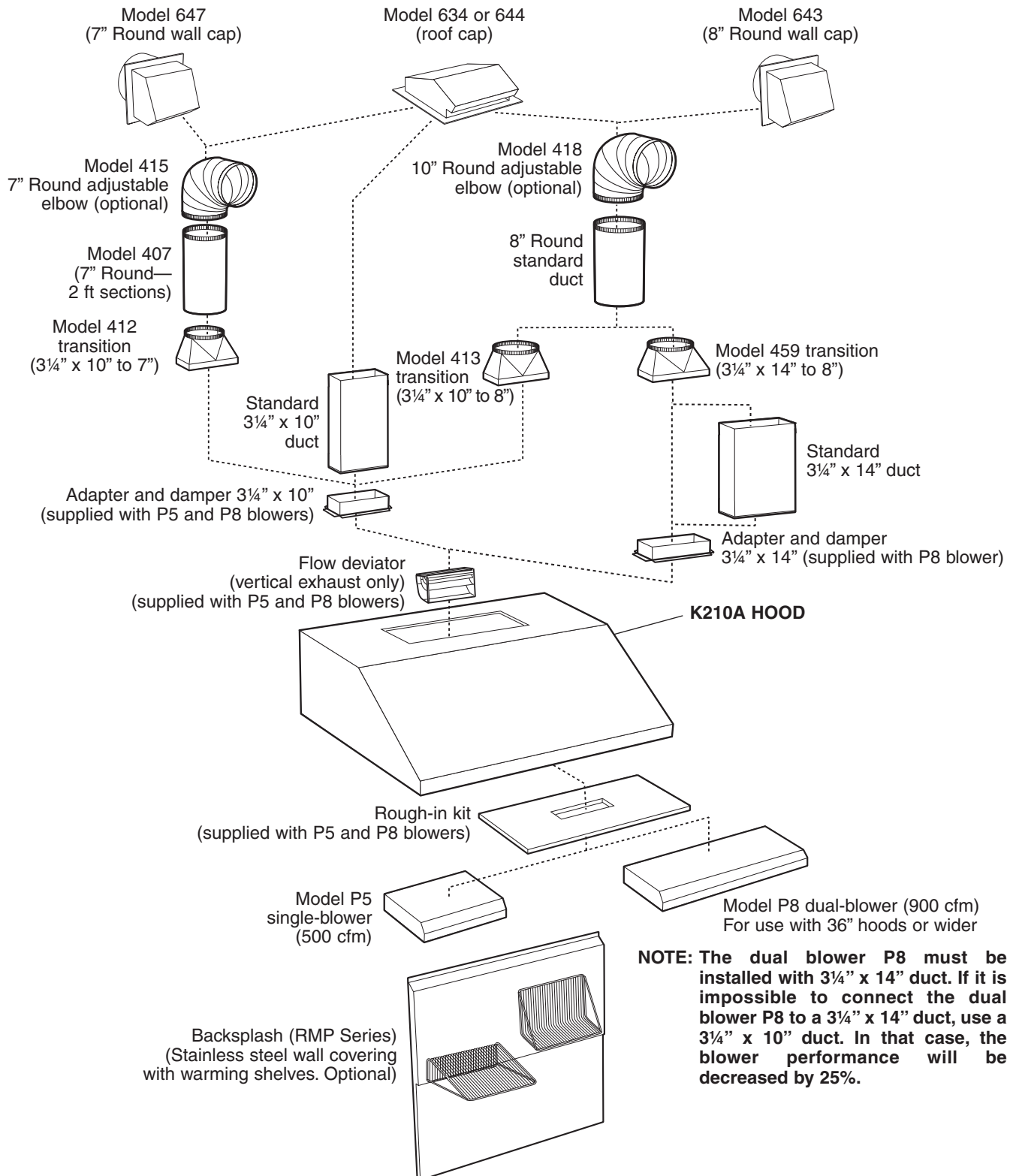
Backsplash
RMP Series



BEST BY BROAN P.O. BOX 140 HARTFORD, WISCONSIN 53027

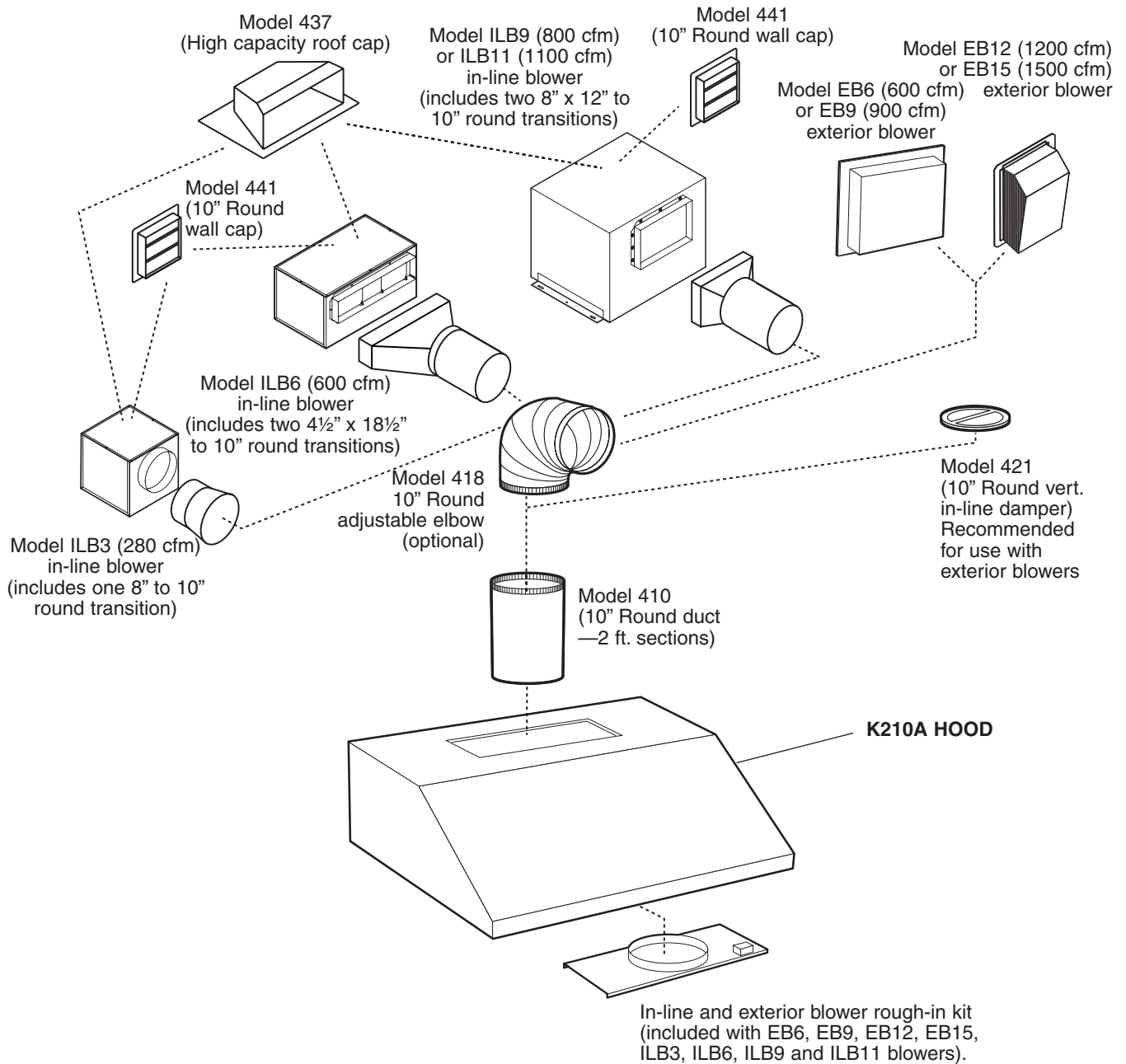
REFERENCE	QTY.	REMARKS	Project
			Location
			Architect
			Engineer
			Contractor
			Submitted by
			Date

- K210A MODEL RANGE HOOD SYSTEM - INTERIOR BLOWERS-



NOTE: The dual blower P8 must be installed with 3 1/4" x 14" duct. If it is impossible to connect the dual blower P8 to a 3 1/4" x 14" duct, use a 3 1/4" x 10" duct. In that case, the blower performance will be decreased by 25%.

- K210A MODEL RANGE HOOD SYSTEM - IN-LINE AND EXTERIOR BLOWERS



RMP Series Backsplash
(Stainless Steel wall covering with warming shelves. Optional)

