



# INSTALLATION INSTRUCTIONS V90088B

## CONTINUOUS CHANNEL SERIES

Model: Single Trimless Adjustable Downlight



### Avoid Fire or Electric Shock

- \*Installation Instructions for qualified electricians only.
- \*Install per National Electrical Code and local regulations.
- \*Read Installation Instructions completely before installation.
- \*Failure to follow Installation Instructions may void warranties.



### Housing Connection

1. Locate Trimless Extrusion Mudding Frame on Housing. See Fig. 1.
2. Remove Screws.
3. Remove Trimless Extrusion Mudding Frame from Housing and set aside for reinstallation later.

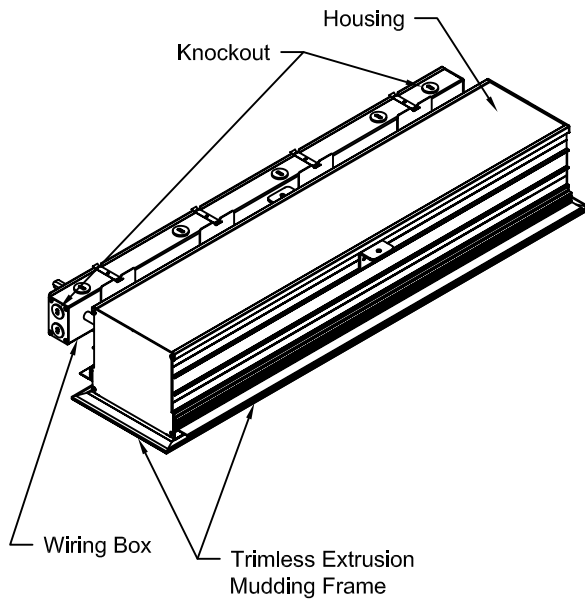


Figure 1

### Fixture Mounting

1. Hang Housing(s) from Hanger Brackets located on sides of Fixture(s) using 1/4-20 Screw. See Fig. 2 and Fig. 4.
2. Adjust elevation of Housing so that Adjustable Extrusion Frame (set to 5/8" thickness at factory) will sit on top of installed Drywall and bottom of Housing walls match bottom of Drywall surface. See Fig. 3.
3. Install Drywall to edge of Housing. See Fig. 3.
4. Reinstall Trimless Extrusion Mudding Frame.
5. Apply Tape to first level of Trimless Extrusion Mudding Frame. See Fig. 3.
6. Apply Mudding Compound from Housing concealing Trimless Extrusion Mudding Frame and Screws. Mudd out as far as necessary to achieve flat ceiling appearance. See Fig. 3.

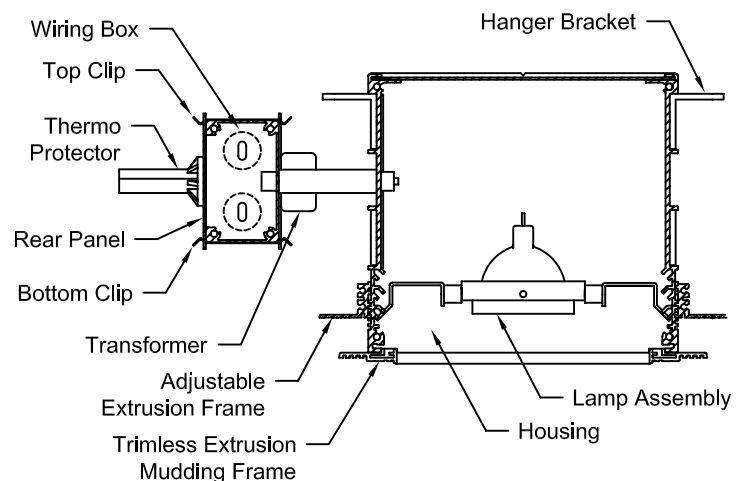


Figure 2



# INSTALLATION INSTRUCTIONS V90088B

## CONTINUOUS CHANNEL SERIES

### Model: Single Trimless Adjustable Downlight



## Fixture Mounting (Con't)

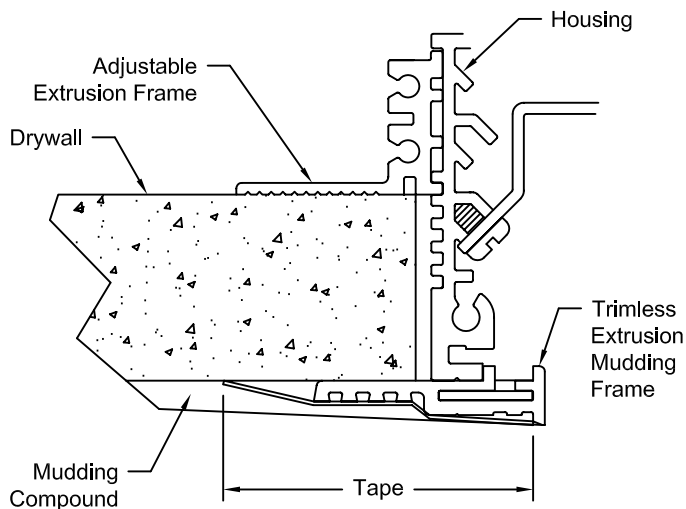


Figure 3

## Transformer Access

1. Locate Transformer Access Door behind each Lamp Assembly. See Fig. 4.
2. Remove Lamp Gimbals as necessary to reach Transformer Access Door.
3. Remove Two (2) Knurled Knobs at each side of Access Door.
4. Remove Transformer Access Door to access Transformer mounted to outside of Wiring Box.

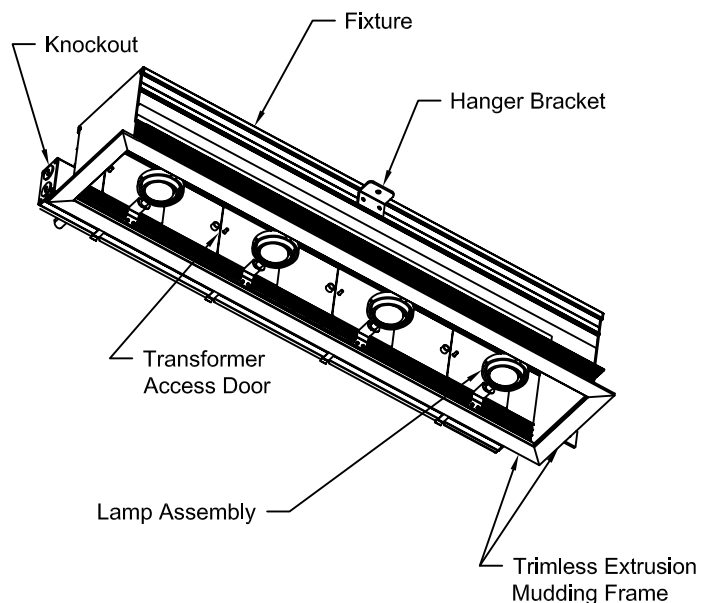


Figure 4

## Electrical Wiring

1. Turn OFF Electrical Service.
2. Connect Wiring Box to Electrical Service using Knockouts located at each end of Wiring Box and/or Knockouts along top of Wiring Box as needed. See Fig. 1, Fig. 2 and Fig. 4.
3. To remove Rear Access Panel(s) for inspection, lift Clips at Top and Bottom of Wiring Box. See Fig. 2.