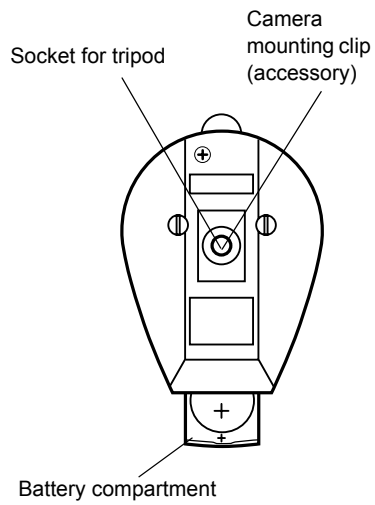
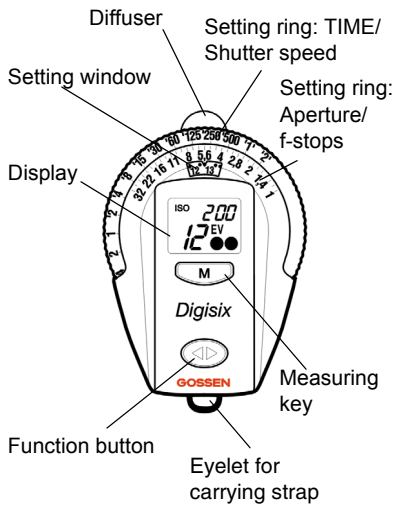


DIGISIX

Exposure meter for ambient light

15122
1/06.02





Content

1	The functioning of the Digisix	4
1.1	Preparation and self-test	4
1.2	Incident light and reflected light measuring mode	5
1.3	Duration of read-out in display	5
2	Functions of the Digisix	6
2.1	Setting the film speed	6
2.2	Exposure measuring	7
2.2.1	Read-out of the values measured ..	7
2.2.2	Taking a measurement outside the measuring range.....	8
2.3	Contrast measurements	9
2.4	Setting correction values	9
2.5	Function TIMER	10
2.6	Watch/Alarm clock	12
2.7	Measuring temperatures	13
2.7.1	Min./Max. temperatures	14
3	Service and repairs	14
4	Technical data	15

The **Digisix** is a small but smart GOSSEN exposure meter, with digital read-out, for ambient light. The **Digisix** is made to exacting GOSSEN calibration standards for high precision measurements. The trendy styling and logical functioning make it easy and comfortable to operate.

Key features:

- Incident and reflected light meas. mode
- μ P controlled
- Digital LCD read-out in the display in 1/3 stop increments
- Contrast readout in 1/3 EV steps
- Storage of the measuring results
- Indication of all suitable combinations of shutter speeds and f-stops
- Signal "range over" or "range under"
- Automatic battery check
- Countdown timer for long exposures
- Function Watch/Alarm clock
- Measuring temperatures

1 The functioning of the Digisix

1.1 Preparation and self-test

Battery

The **Digisix** is powered by a 3 V Lithium battery, type CR 2032.

When the battery is running low, the signal **BAT** appears in the display.

- The battery should be replaced as soon as possible. When **BAT** is shown alone in the display, the battery will need to be replaced before further measurements are possible.
- To replace the battery, pull out the battery compartment placed under the eyelet for the carrying cord.
- Remove the old battery and insert the new one. Observe the "+" and "-" polarity!
- Close the battery compartment

Attention! Changing the battery will cancel all the individual values stored in memory.

Self-Test

After the new battery has been inserted, the microcomputer will carry out a self-test. Every display segment appears in the display panel.

The self-test takes 10 seconds. It can be interrupted before by pressing any button.



After the self-test, the standard settings will be shown as set by the factory.

Standard settings

ISO 100/21° COR 0 EV 8

1.2 Incident light and reflected light measuring mode

Incident light method

For the incident mode, the diffuser is to be shifted to the left and placed in front of the measuring aperture. Taking measurements using the incident light mode in particular produces perfectly exposed shots. In this mode, the DS measures from the subject towards the camera. This guarantees that the tone quality of the picture is equivalent to that of the subject. This is especially important for very bright or dark subjects. Even under very difficult photographing conditions, as for example with subjects which have a lot of contrast, the incident light mode is a more reliable way of producing well exposed pictures.

Reflected light method

For the reflected mode, the diffuser must be shifted to the right. Care must be taken, that the light measuring aperture is entirely free.

The measurement is taken from the position of the camera towards the subject. In this method, only the light reflected from the subject is detected by the meter. Therefore, the measuring values always depend on the reflection capacity of the subject. As a result of this, bright subjects are reproduced darker and therefore not properly exposed. Consequently, this mode is conveniently used, when the subject does not show too high contrasts between bright and dark areas.

1.3 Duration of read-out in display

The **Digisix** will always display the last function used. The meter does not automatically switch off, as the power consumption is extremely low.

2 Functions of the Digisix

Press the function button for selecting the individual functions of the **Digisix**.

Each time the button is pushed, the next function will be activated.

The display panel will show the functions in the following sequence.:

- Exposure metering
- Timer
- Watch
- Alarm clock
- Temperature



The next function will only be activated after the Function button has been released.

When the Function button is kept pressed down for more than two seconds, the settings of that function are displayed and can be adjusted as desired.

2.1 Setting the film speed

- Select the function "Exposure" and hold down the function button until the OK-signal sounds. The display will show **ISO**, blinking, instead of EV.



- Use the measuring key **M** to select the desired film speed.
When holding the key **M** pressed down, the film speed will automatically be increased. When getting close to the desired ISO value, release the key **M** and set the desired film speed by pushing the key in individual steps.
Each time you push the key, the film speed is increased by a 1/3 stop.

- Confirm the speed you selected by pushing the Function button until the OK-signal sounds and the **Digisix** returns to the function "EXPOSURE". The film speed is shown in the upper right corner of the display.



If the film speed is changed, the measurement read-out stored in the memory will be immediately converted to the new ISO settings.

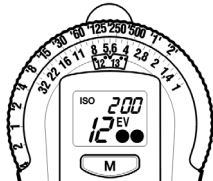
The film speed selected will stay stored in memory until it is changed in the way described above.

2.2 Exposure measuring

- Use the Function button to select the function Exposure Measuring.
- The measurement is taken by briefly pressing down the measuring key **M**.

2.2.1 Read-out of the values measured

The EV value measured will appear in the display. The values will be indicated in 1/3 - stop increments by one dot, the 2/3 - stop increments by two dots.



- Transfer that EV value from the display to the setting window in the calculator rings and align it opposite the setting mark in the setting window.
- All the suitable combinations of aperture (f-stops) - t (shutter speed) can now be seen at the upper part of the circular scales (see previous example).



2.2.2 Taking a measurement outside the measuring range

The DIGISIX will not produce any useable readings outside its measuring range: in the display E_u (too dark) or E^n (too bright) will appear.

When using the Digisix outside of the temperature range, an error will be shown in the display.



2.3 Contrast measurements

- Use the Function button to select the function "EXPOSURE".
- Keep the measuring key **M** pressed down and the meter will switch over to contrast measurement. Continue holding down the key to measure various other areas in the subject. In the display, the difference between the individual results of the additional measurements and the first measuring value will be indicated in EV. A new metering will be made approx. 2 times a second.



After you have released the measuring key **M**, the value of the first exposure measurement will reappear.

2.4 Setting correction values

In order to deliberately change the exposure of your photos, you may adjust the factory calibration.

- Remove the battery from the **Digisix** for a moment and then put it back again in the compartment. The meter will then make the self-test.
- During this test, keep the measuring key and also the function button pressed down until the acoustic signal sounds. Release the key to enter the **CORRECTION** function. Use the measuring key **M** to enter or change the correction value. Press the function button again to return the meter to the normal measuring functions.

The EV in the display will blink to remind you that the standard factory calibration has been changed. Input of the correction in 1/3-stops in the range of ± 3 EV.

For cancelling the correction value, remove the battery from the compartment for a moment and then put it back again.

In case of over-exposure a positive correction, in case of under-exposure a negative correction value should be set.

2.5 Function TIMER

A timer function is provided in the **Digisix**, useful for long exposure or other timings ranging from one second to thirty minutes.

- Use the function button to select the function TIMER and hold it down until the OK-signal sounds. The display shows the last value used. The read-out will show the "minutes" and will flash to allow the countdown timer to be adjusted.
- Use the key **M** to enter the desired time in minutes.
- Confirm by pushing the function button. The read-out "seconds" in the display will flash.



- Enter the "seconds" of the desired length of time. Confirm by pressing and holding the function button until the OK-signal will sound. The timer will now be in the Start/ Stop function.
- Push the key **M** to start the timer. The display will show the remaining time of the count-down. In addition to that, during the last 10 seconds of the count-down, interrupted signals can be heard. At the end of the set time, a continued signal will sound.



- To pause the count-down, push the measuring key; pressing it again will restart the count-down. The timer will work in the background so that you can use other measurements.

2.6 Watch/Alarm clock

WATCH – Setting the time

- Use the function button to select the function WATCH and hold the key down until the OK-signal will sound.
12/24 will flash.



- With the function button select either 12 hours (AM/PM) – 24 hour display.
- Confirm with the function button.
The read-out "hours" will flash.

- Use the key **M** to set the hours and confirm with the function button.
The read-out "minutes" in the display will flash.
- Use the key **M** for setting the minutes. To confirm settings hold down the function button until the OK-signal is heard.



ALARM CLOCK

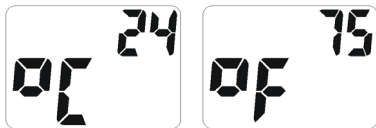
- Use function button to enter the function "ALARM CLOCK" and hold it pressed down until the OK-signal will sound. The time of the alarm clock is set in the same way as the watch.
- Hold the function button until the OK-signal sounds.
- The alarm is activated or deactivated with the measuring button.
- When the alarm is activated it is shown in the display with a bell symbol.



- When the alarm is sounded it will sound each second for 1 min. It can be stopped by pressing either the measuring key or the function button.

2.7 Measuring temperatures

- Use the function button to select the function TEMPERATURE and hold the button pressed down until the OK-signal sounds. To change between °C or °F read-outs, press and hold the function button until the display changes.



The **Digisix** will indicate the actual ambient temperature. The temperature probe is incorporated in the meter housing. As a result, the temperature measurement may be affected if you are holding the meter in your hand. If you attach the **Digisix** with the clip to your camera, these errors can be avoided.

2.7.1 Min./Max. temperatures

When repeatedly pressing the measuring key, the minimum (Lo) and maximum (Hi) temperature values will be indicated. The minimum and maximum values indicated are those that have been measured since the last cancellation operation.



The min. and max. temperature values stored in memory can be cancelled by pressing the measuring key until the OK-signal sounds. The temp. measurements are repeated automatically every two min. providing always the actual values. These min. and max. temp. values will make it possible for you to check, whether your films may have been exposed to excessive high temperatures and have been damaged.

3 Service and repairs

In the event that your DIGISIX is not working to your complete satisfaction, please send it to:

GOSSEN Foto- und Lichtmeßtechnik GmbH
Thomas-Mann-Str. 16-20
D - 90471 Nürnberg

or to the GOSSEN agency in your country.

4 Technical data

Exposure meter

Measuring modes	Ambient light Incident light method Reflected light method Contrast measurem.
-----------------	---

Light sensor	sbc photo diode
Measuring range (when ISO 100/21°)	EV 0 to 18
Shutter speeds	1/2000 s to 4 min
Apertures	1 to 32
Calibration adjustments	± 3.0
Film speeds	ISO 6 to 3200 in 1/3 increments

Measuring angle reflected light mode	approx. 25°
---	-------------

Timer	0 sec to 30 min
--------------	-----------------

Watch	adjustable to 12 hrs (AM + PM) or 24 hrs
Accuracy	5 min / year

Thermometer	adjustable to °C/ °F
Measuring range	-15 ... 70 °C or 5 ... 160 °F
Accuracy	± 2 °C or ± 4 °F

Display	digital read-out of measuring value plus analogue setting ring
Duration of read-out	The DS will always display the last function used

Battery	1 x 3 V Lithium battery CR 2032
Operating temp.	-10 °C ... 60 °C
Dimensions	75 x 50 x 23 mm
Weight	40 g incl. battery
Accessories incl.	Battery, carrying case, cord, instruction manual
Optional accessory	Mounting clip for camera shoes Order code V069A

Printed in Germany • Subject without notice

GOSSSEN Foto- und Lichtmeßtechnik GmbH
Thomas-Mann-Str. 16-20
D-90471 Nürnberg
Phone: +49 911 / 8602-181
Fax: +49 911 / 8602-142
<http://www.gossen-photo.de>

GOSSSEN