

# Lifestyler™ 8.0

▲ 0-8.0 MPH ▲ 1.25 HORSEPOWER DC MOTOR

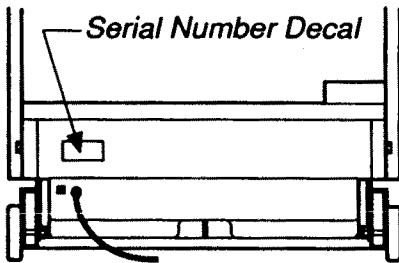
▲ STEP CONTROL MANUAL INCLINE ▲ MADE IN THE U.S.A.

## SEARS®

**Model No. 831.297400**

**Serial No. \_\_\_\_\_**

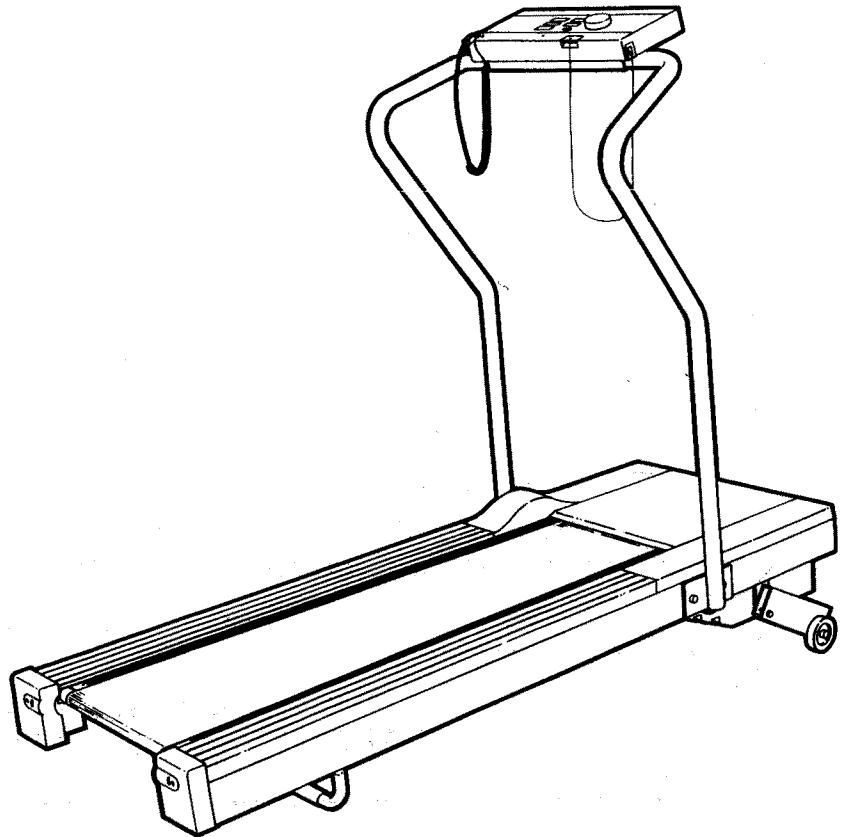
*The serial number can be found in the location shown below. Write the serial number in the space above.*



### ▲ CAUTION!:

**Read all safety precautions and instructions in this manual before using this equipment. Keep this manual in a safe place for future reference.**

## OWNER'S MANUAL



SEARS, ROEBUCK AND CO., HOFFMAN ESTATES, IL 60179

# Lifestyler™ 8.0

▲ 0-8.0 MPH ▲ 1.25 HORSEPOWER DC MOTOR

▲ STEP CONTROL MANUAL INCLINE ▲ MADE IN THE U.S.A.

## TABLE OF CONTENTS

|                                    |            |
|------------------------------------|------------|
| WARRANTY .....                     | 2          |
| IMPORTANT SAFETY PRECAUTIONS ..... | 3          |
| BEFORE YOU BEGIN .....             | 4          |
| ASSEMBLY .....                     | 5          |
| OPERATION AND ADJUSTMENT .....     | 6          |
| TROUBLE-SHOOTING AND STORAGE ..... | 9          |
| CONDITIONING GUIDELINES .....      | 12         |
| PART LIST .....                    | 14         |
| EXPLODED DRAWING .....             | 15         |
| ORDERING REPLACEMENT PARTS .....   | Back Cover |

### FULL 90 DAY WARRANTY

For 90 days from the date of purchase, when proper assembly and maintenance procedures detailed in the Owner's Manual are followed, SEARS will, free of charge, repair or replace and install a replacement part for any defective part, when this treadmill is used in a normal manner.

This warranty does not apply when this treadmill is used for commercial or rental purposes.

**SERVICE IS AVAILABLE SIMPLY BY CONTACTING YOUR NEAREST SEARS SERVICE CENTER/DEPARTMENT IN THE UNITED STATES.**

This warranty gives you specific legal rights, and you may also have other rights which vary from state to state.

**SEARS, ROEBUCK AND CO., DEPT. 817WA,  
3333 BEVERLY ROAD, HOFFMAN ESTATES, IL 60179**

**▲ WARNING:** Before beginning this or any exercise program, consult your physician. This is especially important for persons over the age of 35 or persons with pre-existing health problems. Read all instructions before using. SEARS assumes no responsibility for personal injury or property damage sustained by or through the use of this product.

---

# IMPORTANT SAFETY PRECAUTIONS

**▲ WARNING:** To reduce the risk of burns, fire, electric shock or injury to persons, read the following important safety precautions and information before operating the treadmill.

1. Position the treadmill on a level surface, with at least 8 feet of clearance behind the treadmill. Do not place the treadmill near water, outdoors or on any surface that blocks an air opening. Do not operate where aerosol products are used or where oxygen is being administered.
2. When connecting the power cord (see OPERATION AND ADJUSTMENT in this manual), plug the power cord directly into a grounded circuit capable of carrying 12 or more amps. No other appliance should be on the same circuit. Keep the power cord away from heated surfaces. If an extension cord is needed, use only a 14-gauge general-purpose cord of five feet or less in length with a three-wire conductor.
3. Never move the walking belt while the power is turned off. Do not operate the treadmill if the power cord or plug is damaged, or if the treadmill is not working properly. (See BEFORE YOU BEGIN in this manual if the treadmill is not working properly.)
4. The roller guards must be 1/8 inch from the rear roller. Turn the power off and adjust the roller guards, if necessary.
5. Wear appropriate exercise clothing when using the treadmill; do not wear loose clothing that could become caught in the treadmill. *Always wear athletic shoes; never use the treadmill with bare feet, wearing only stockings or in sandals.* Athletic support clothes are recommended for both men and women.
6. The pulse earclip is not a medical device. Various factors, including the user's movement while exercising, may affect the accuracy of heart rate readings. The earclip is intended only as an exercise aid in determining heart rate trends in general.
7. Never start the treadmill while you are standing on the walking belt. Always hold the handrail when exercising on the treadmill.
8. Never allow more than one person on the treadmill at a time. The treadmill should not be used by persons weighing more than 250 pounds.
9. Keep small children away from the treadmill at all times. Never leave the treadmill unattended while it is running. Always turn the power off when the treadmill is not in use.
10. Never drop or insert any object into any opening.
11. To reduce the possibility of overheating, do not operate the treadmill continuously for longer than 1 hour.
12. The treadmill is capable of high speeds. Adjust the speed slowly to avoid sudden jumps in speed.
13. Use the treadmill only as described in this manual.
14. Always unplug the power cord before performing the maintenance and adjustment procedures described in this manual. Never remove the motor hood unless instructed to do so by an authorized service representative. Servicing other than the procedures in this manual should be performed by an authorized service representative only.

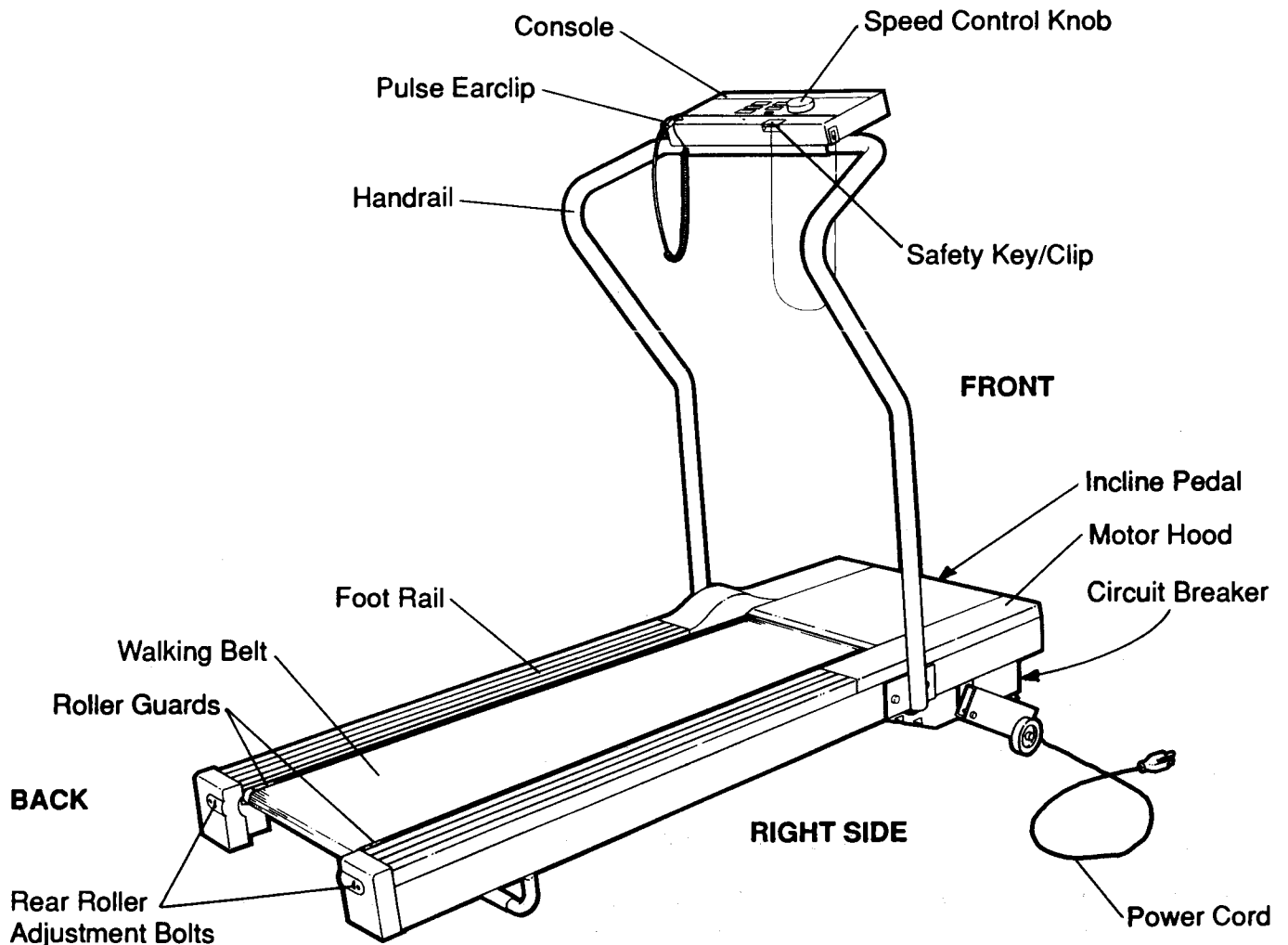
**SAVE THESE INSTRUCTIONS**

# BEFORE YOU BEGIN

Thank you for selecting the SEARS® LIFESTYLER 8.0 treadmill. The LIFESTYLER 8.0 treadmill blends advanced technology with innovative design to let you enjoy an excellent form of cardiovascular exercise in the convenience and privacy of your home.

**For your safety and benefit, read this manual carefully before using the treadmill.** If you have additional questions, please call our Customer Service Department toll-free at **1-800-999-3756**, Monday through Friday, 6 a.m. until 6 p.m. Mountain Time (excluding holidays). To help us assist you, please note the product model number and serial number before calling. The model number of the treadmill is 831.297400. The serial number can be found on a decal attached to the treadmill (see the front cover of this manual for the location).

Before reading further, please review the drawing below and familiarize yourself with the parts that are labeled.

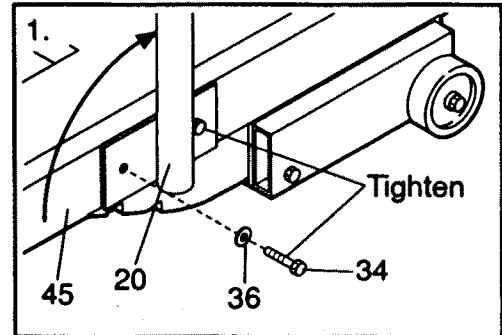


# ASSEMBLY

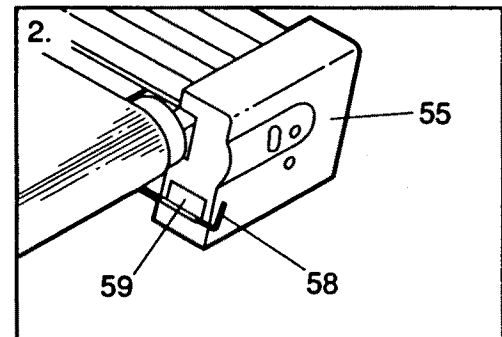
The treadmill is delivered in the compact stowaway position. Set the treadmill in a cleared area and remove all packing materials. Do not dispose of the packing materials until assembly is completed.

**TOOLS REQUIRED FOR ASSEMBLY: An 8" adjustable wrench (not included).**

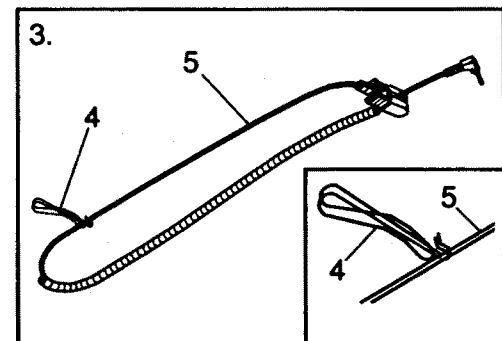
1. To convert the treadmill to the operating position, first raise the Right Handrail (20) and the Left Handrail (not shown) to a vertical position. Align the hole in the lower end of the Right Handrail with the hole in the side of the Frame (45). Insert a Handrail Bolt (34), with a Handrail Washer (36), into the Right Handrail and tighten the Bolt into the Frame. Tighten the Handrail Bolt that is already in the Right Handrail and the Frame. **Be careful not to pinch the wires in the Right Handrail.** Attach the Left Handrail in the same manner.



2. Remove the paper backing from the Wrench Clip (59). Press the Wrench Clip onto the Right Endcap (55) in the indicated location. Press the Allen Wrench (58) into the Wrench Clip.



3. Slide the metal Clothes Clip (4) onto the Pulse Earclip (5) in the indicated location. The use of the Pulse Earclip is explained in the MOTIVATIONAL FITNESS MONITOR section on page 8.

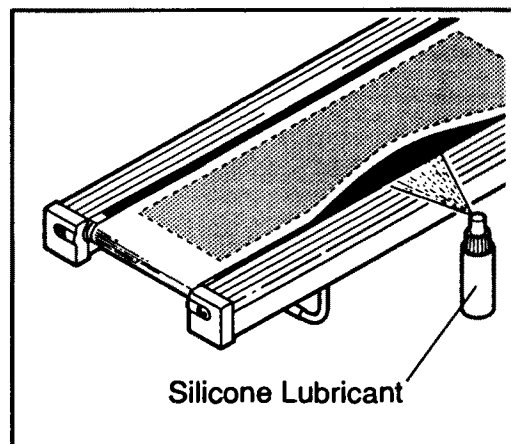


Make sure that all parts are tightened before using the treadmill.

# OPERATION AND ADJUSTMENT

## APPLYING SILICONE LUBRICANT

To reduce the friction of the walking belt and minimize wear, a non-oil-, non-petroleum-base silicone lubricant must be applied to the walking platform before the treadmill is used. **WITH THE POWER CORD UNPLUGGED**, lift each side of the walking belt and spray lubricant generously onto the indicated area. Reapply lubricant after every ten hours of use, or whenever performance decreases. Lubricant is available at most hardware and automotive stores. Uni-Sport™ silicone spray is recommended.



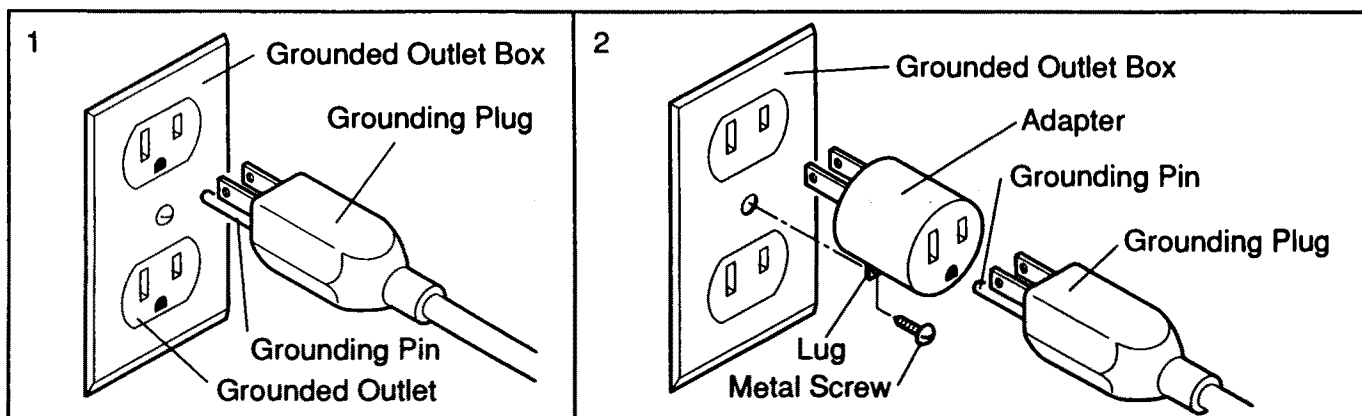
## PLUGGING THE POWER CORD IN

**This product must be grounded.** If it should malfunction or break down, grounding provides a path of least resistance for electric current to reduce the risk of electric shock. This product is equipped with a cord having an equipment-grounding conductor and a grounding plug. **Plug the power cord into an appropriate outlet that is properly installed and grounded in accordance with all local codes and ordinances.**

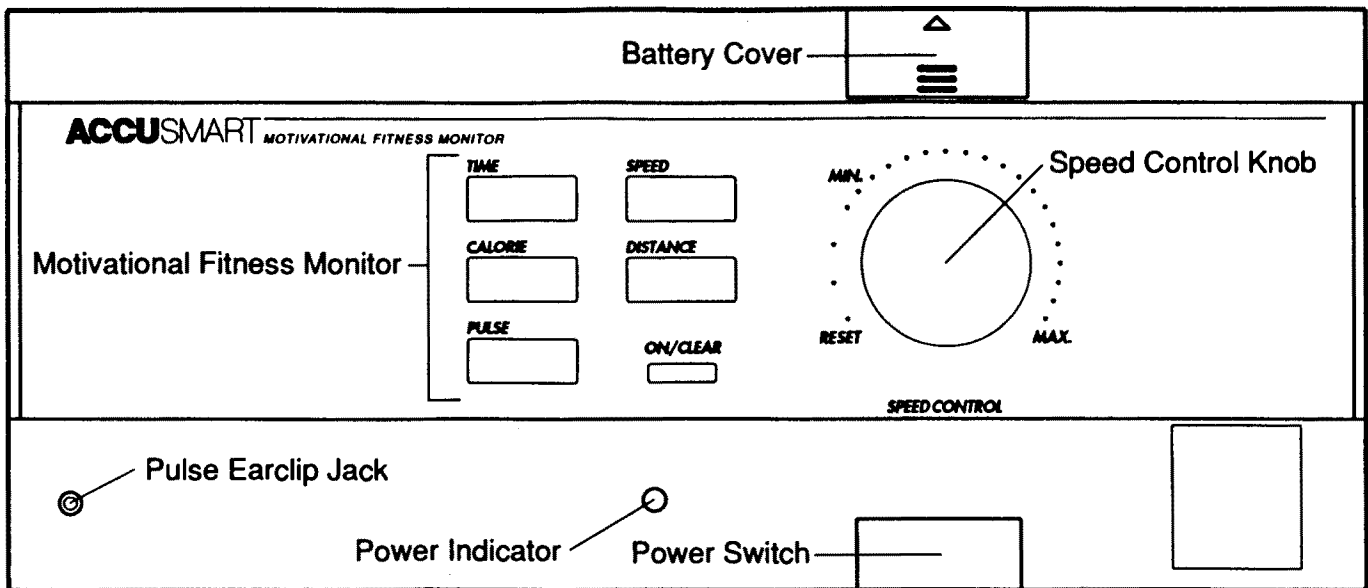
**⚠ DANGER:** Improper connection of the equipment-grounding conductor can result in a risk of electric shock. Check with a qualified electrician or serviceman if you are in doubt as to whether the product is properly grounded. Do not modify the plug provided with the product—if it will not fit the outlet, have a proper outlet installed by a qualified electrician.

This product is for use on a nominal 120-volt circuit, and has a grounding plug that looks like the plug illustrated in Drawing 1. A temporary adapter that looks like the adapter illustrated in Drawing 2 may be used to connect this plug to a 2-pole receptacle as shown in Drawing 2 if a properly grounded outlet is not available. The temporary adapter should be used only until a properly grounded outlet (Drawing 1) can be installed by a qualified electrician. The green colored rigid ear, lug, or the like extending from the adapter **must be connected** to a permanent ground such as a properly grounded outlet box cover. Whenever the adapter is used it **must be held in place** by a metal screw.

**Some 2-pole receptacle outlet box covers are not grounded. Contact a qualified electrician to determine if the outlet box cover is grounded before using an adapter.**

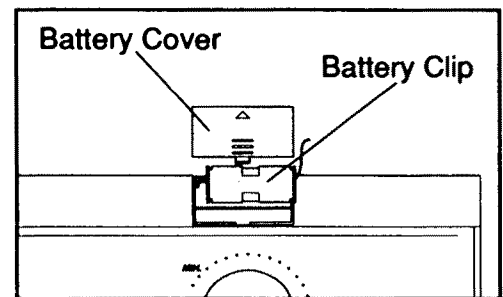


## DIAGRAM OF THE CONSOLE



## INSTALLING BATTERIES

The motivational fitness monitor requires two "AA" batteries (not included); alkaline batteries are recommended. Slide the battery cover open. Grasp the red cord and remove the battery clip from the console. Find the markings inside the battery clip showing which direction the batteries should be turned. Press the batteries into the battery clip. Replace the battery clip in the console and close the battery cover.



## TURNING THE POWER ON

Step onto the foot rails of the treadmill. Locate the clip attached by a cord to the safety key, and slide the clip onto the waistband of your clothing.

**⚠ CAUTION:** Do not stand on the walking belt while turning the power on. Always wear the clip while operating the treadmill; if you fall, the safety key will be pulled from the power switch, instantly turning the power off.

Insert the safety key into the power switch. The power indicator will light. The five displays of the motivational fitness monitor will not light until the ON/CLEAR button is pressed, or the walking belt begins to move (see CONTROLLING THE SPEED). Note: If batteries were just installed, the five displays will already be lighted.

## CONTROLLING THE SPEED

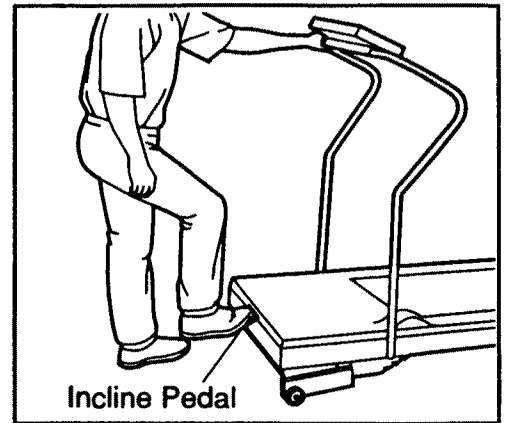
To start the walking belt, first turn the speed control knob to "reset." Then, turn the knob slowly clockwise until the walking belt begins to move at slow speed.

**⚠ CAUTION:** After the knob is turned, there will be a pause before the walking belt begins to move. Adjust the speed slowly until you are familiar with the operation of the treadmill.

Carefully step onto the walking belt and begin exercising. Change the speed of the walking belt as desired by turning the speed control knob. To stop the walking belt, turn the knob to "reset."

## INCLINE ADJUSTMENT

To vary the intensity of your exercise, the incline of the treadmill can be adjusted using the incline pedal located at the front of the treadmill. To change the incline of the treadmill, grasp the handrail with one hand while pressing down on the incline pedal with your foot. **To increase the incline**, lift up on the treadmill while pressing down on the incline pedal with your foot. **To decrease the incline**, push down on the treadmill while pressing down on the incline pedal with your foot.



## MOTIVATIONAL FITNESS MONITOR

The five displays of the motivational fitness monitor provide continuous exercise feedback. The displays can be reset by pressing the ON/CLEAR button. The five displays are described below:

**TIME**—This display shows the elapsed time. Note: When the walking belt is stopped, the TIME display will go into a pause mode after a few seconds.

**CALORIE**—This display shows the total number of nutritional Calories that you have burned.

**PULSE**—This display shows your heart rate. Plug the pulse earclip into the jack on the console, and attach the earclip to your left ear lobe. Slide the metal clothes clip on the earclip wire onto your collar. After a few seconds, your heart rate will be displayed. If your heart rate is not displayed after a few seconds, rub your ear lobe and reposition the earclip. It may be helpful to stand still while measuring your heart rate.

**SPEED**—This display shows the current speed of the walking belt.

**DISTANCE**—This display shows the total distance that you have walked or run.

## TURNING THE POWER OFF

To turn the power off, remove the safety key from the console. The power indicator will darken. Store the safety key in a secure location. Note: If the walking belt is stopped and not restarted for a few minutes, the five displays of the motivational fitness monitor will turn off automatically, even if the power is on.



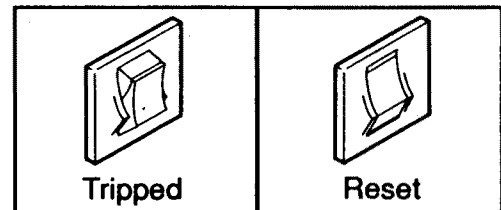
# TROUBLE-SHOOTING AND STORAGE

**Most treadmill problems can be solved by following the simple steps below.** Find the symptom that applies to your treadmill and follow the steps listed.

If further assistance is needed, please call our Customer Service Department toll-free at 1-800-999-3756, Monday through Friday, 6 a.m. until 6 p.m. Mountain Time (excluding holidays).

## 1. SYMPTOM: THE POWER DOES NOT TURN ON

- a. Make sure that the power cord is plugged into a properly grounded outlet. (See OPERATION AND ADJUSTMENT in this manual.) If an extension cord is needed, use only a 14-gauge general-purpose cord of five feet or less in length.
- b. After the power cord has been plugged in, make sure that the safety key is fully inserted into the console. Various indicators on the console should light. (See OPERATION AND ADJUSTMENT in this manual.)
- c. Check the circuit breaker located on the treadmill frame near the power cord. If the switch protrudes as shown, the circuit breaker has tripped. To reset the circuit breaker, wait for five minutes and then press the switch back in.



## 2. SYMPTOM: THE POWER TURNS OFF DURING USE

- a. Check the circuit breaker located on the treadmill frame near the power cord. If the circuit breaker has tripped, the switch will protrude. (See the drawing above.) To reset the circuit breaker, wait for five minutes and then press the switch back in.
- b. Make sure that the power cord is plugged in.
- c. Remove the safety key from the console. Reinsert the safety key fully into the console. Various indicators on the console should light.

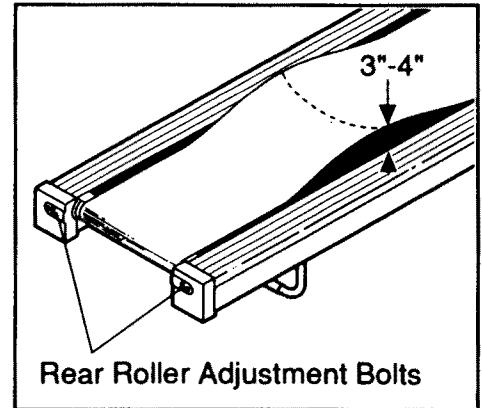
## 3. SYMPTOM: THE PULSE EARCLIP DOES NOT FUNCTION PROPERLY

- a. Make sure that the pulse earclip is plugged fully into the jack on the console. Attach the clothes clip to your collar.
- b. Rub your left ear lobe and reposition the earclip.
- c. Stand still while measuring your pulse.
- d. The pulse earclip may need to be cleaned. Press the earclip open, and find the two clear circles inside the earclip. Wipe the two clear circles using a cotton swab saturated with denatured alcohol.

**⚠ WARNING:** The pulse earclip is not a medical device. Various factors, including the user's movement while exercising, may affect the accuracy of heart rate readings. The earclip is intended only as an exercise aid in determining heart rate trends in general.

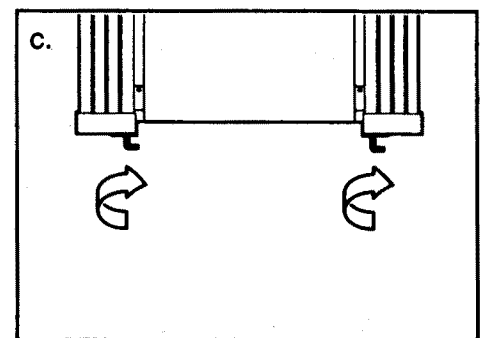
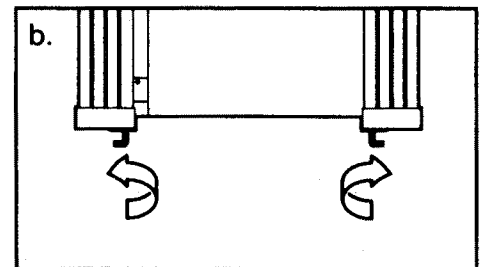
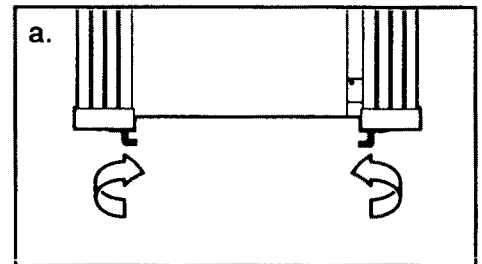
#### 4. SYMPTOM: THE WALKING BELT SLOWS WHEN WALKED ON

- a. Apply silicone lubricant to the walking platform before use. Reapply lubricant after every 10 hours of use, and whenever a decrease in performance is noticed. (Uni•Sport silicone spray is recommended.) CAUTION: UNPLUG THE POWER CORD WHEN APPLYING LUBRICANT. (See OPERATION AND ADJUSTMENT in this manual for application instructions.)
- b. If an extension cord is needed, use only a 14-gauge general-purpose cord of five feet or less in length.
- c. If the walking belt is overtightened, treadmill performance may decrease and the walking belt may be permanently damaged. Remove the safety key and UNPLUG THE POWER CORD. Using the allen wrench, turn both rear roller adjustment bolts counterclockwise, 1/4 of a turn. When the walking belt is properly tightened, you should be able to lift each side of the walking belt 3-4 inches off the walking platform. The center of the walking belt should just touch the walking platform. Be careful to keep the walking belt centered. Plug in the power cord, insert the safety key and run the treadmill for a few minutes. Repeat until the walking belt is properly tightened.



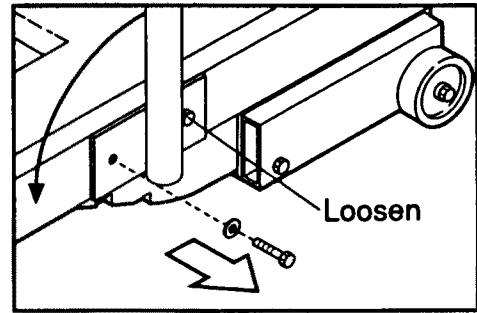
#### 5. SYMPTOM: THE WALKING BELT IS OFF-CENTER OR SLIPS WHEN WALKED ON

- a. If the walking belt has shifted to the left, first remove the safety key and UNPLUG THE POWER CORD. Using the allen wrench, turn the left rear roller adjustment bolt clockwise, and the right bolt counterclockwise, 1/4 of a turn each. Be careful not to overtighten the walking belt. Plug in the power cord, insert the safety key and run the treadmill for a few minutes. Repeat until the walking belt is centered.
- b. If the walking belt has shifted to the right, first remove the safety key and UNPLUG THE POWER CORD. Using the allen wrench, turn the left rear roller adjustment bolt counterclockwise, and the right bolt clockwise, 1/4 of a turn each. Be careful not to overtighten the walking belt. Plug in the power cord, insert the safety key and run the treadmill for a few minutes. Repeat until the walking belt is centered.
- c. If the walking belt slips when walked on, first remove the safety key and UNPLUG THE POWER CORD. Using the allen wrench, turn both rear roller adjustment bolts clockwise, 1/4 of a turn. When the walking belt is correctly tight-ened, you should be able to lift each side of the walking belt 3-4 inches off the walking platform. The center of the walking belt should just touch the walking platform. Be careful to keep the walking belt centered. Plug in the power cord, insert the safety key and run the treadmill for a few minutes. Repeat until the walking belt is properly tightened.



## STORAGE

Unplug the power cord when the treadmill is not in use. Remove one bolt and washer from the lower end of each handrail. Loosen the other bolts in each handrail. Carefully lay the console on the treadmill. Keep the bolts and washers in a secure location. It is recommended that the treadmill be covered during extended periods of storage.



# CONDITIONING GUIDELINES

The following guidelines will help you to plan your exercise program. Remember that proper nutrition and adequate rest are essential for successful results.

**⚠ WARNING:** Before beginning this or any exercise program, consult your physician. This is especially important for individuals over the age of 35 or individuals with pre-existing health problems.

## EXERCISE INTENSITY

To maximize the benefits of exercising, it is important to exercise with the proper intensity. The proper intensity level can be found by using your heart rate as a guide. For effective aerobic exercise, your heart rate should be maintained at a level between 70% and 85% of your maximum heart rate as you exercise. This is known as your training zone. You can find your training zone in the table below.

| AGE | UNCONDITIONED TRAINING ZONE (BEATS/MIN) | CONDITIONED TRAINING ZONE (BEATS/MIN) | AGE | UNCONDITIONED TRAINING ZONE (BEATS/MIN) | CONDITIONED TRAINING ZONE (BEATS/MIN) |
|-----|---|---------------------------------------|-----|---|---------------------------------------|
| 20  | 138-167                                 | 133-162                               | 55  | 127-155                                 | 122-149                               |
| 25  | 136-166                                 | 132-160                               | 60  | 126-153                                 | 121-147                               |
| 30  | 135-164                                 | 130-158                               | 65  | 125-151                                 | 119-145                               |
| 35  | 134-162                                 | 129-156                               | 70  | 123-150                                 | 118-144                               |
| 40  | 132-161                                 | 127-155                               | 75  | 122-147                                 | 117-142                               |
| 45  | 131-159                                 | 125-153                               | 80  | 120-146                                 | 115-140                               |
| 50  | 129-156                                 | 124-150                               | 85  | 118-144                                 | 114-139                               |

During the first few months of your exercise program, keep your heart rate near the low end of your training zone as you exercise. After a few months of regular exercise, your heart rate can be increased gradually until it is near the middle of your training zone as you exercise. You can measure your heart rate using the pulse mode of the console. Exercise for at least four minutes, and then measure your heart rate immediately. If your heart rate is too high, decrease the intensity of your exercise. If your heart rate is too low, increase the intensity of your exercise.

**⚠ WARNING:** The pulse earclip is not a medical device. Various factors, including your movement during exercise, may affect the accuracy of heart rate readings. The earclip is intended only as an exercise aid in determining heart rate trends in general.

## WORKOUT GUIDELINES

Each workout should consist of three basic parts: a warm-up, 20 to 30 minutes of training zone exercise, and a cool-down. Warming up prepares the body for exercise by increasing circulation, delivering more oxygen to the muscles and raising the body temperature. Begin each workout with 5 to 10 minutes of stretching and light exercise to warm up. Then, increase the intensity of your exercise to raise your heart rate to your training zone for 20 to 30 minutes. Breathe regularly and deeply as you exercise—never hold your breath. Finish each workout with 5 to 10 minutes of stretching to cool down. This will increase the flexibility of your muscles as well as help to decrease soreness and other post-exercise problems.

To maintain or improve your condition, complete three workouts each week, with at least one day of rest between workouts. After a few months of regular exercise, you may complete up to five workouts each week, if desired. The key to success is CONSISTENCY.

## SUGGESTED STRETCHES

The following stretches can provide a good warm-up or cool-down. Correct form for each stretch is shown in the drawings below. Move slowly as you stretch—never bounce.

### TOE TOUCH STRETCH

Stand with your knees bent slightly and slowly bend forward from your hips. Allow your back and shoulders to relax as you reach down toward your toes as far as possible. Hold for 15 counts, then relax. Repeat 3 times.

Stretches: Hamstrings, back of knees and back.

### HAMSTRING STRETCH

Sit with one leg extended. Bring the sole of the opposite foot toward you and rest it against the inner thigh of your extended leg. Reach toward your toes as far as possible. Hold for 15 counts, then relax. Repeat 3 times for both legs.

Stretches: Hamstrings, lower back and groin.

### CALF/ACHILLES STRETCH

With one leg in front of the other, reach forward and place your hands against a wall. Keep your back leg straight and your back foot flat on the floor. Bend your front leg, lean forward and move your hips toward the wall. Hold for 15 counts, then relax. Repeat 3 times for both legs. To cause further stretching of the achilles tendons, bend your back leg as well.

Stretches: Calves, achilles tendons and ankles.

### QUADRICEPS STRETCH

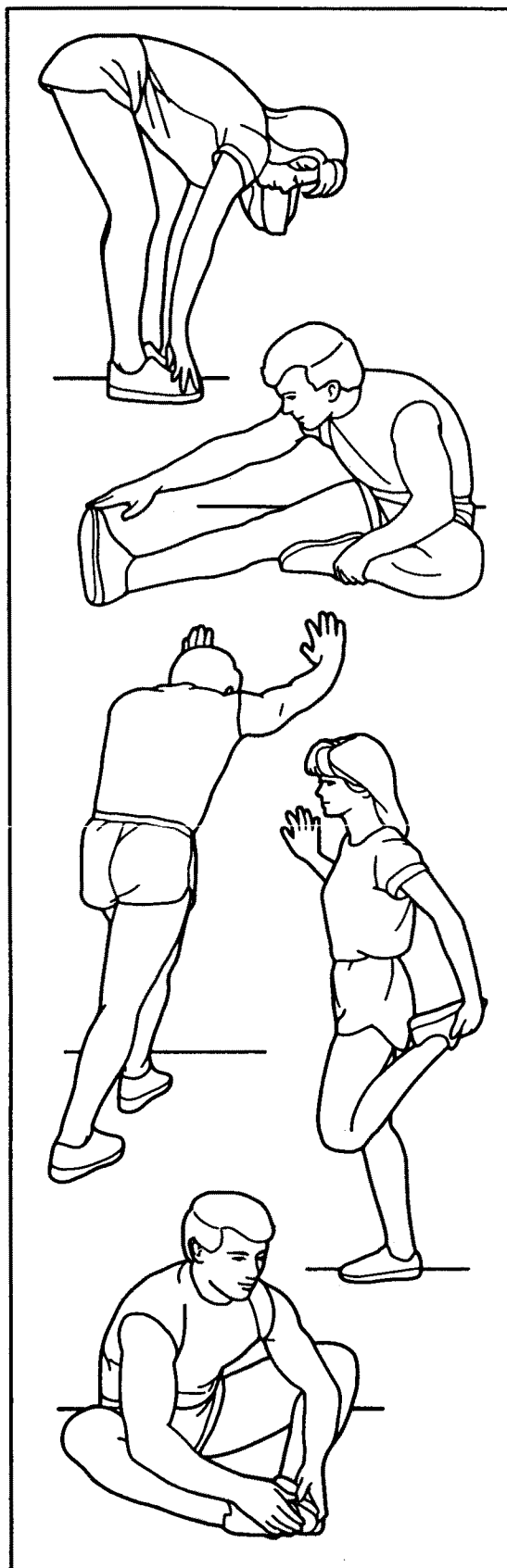
With one hand against a wall for balance, reach back and grasp one foot with your other hand. Bring your heel as close to your buttocks as possible. Hold for 15 counts, then relax. Repeat 3 times for both legs.

Stretches: Quadriceps and hip muscles.

### INNER THIGH STRETCH

Sit with the soles of your feet together and your knees outward. Pull your feet toward your groin area as far as possible. Hold for 15 counts, then relax. Repeat 3 times.

Stretches: Quadriceps and hip muscles.



# PART LIST—Model No. 831.297400

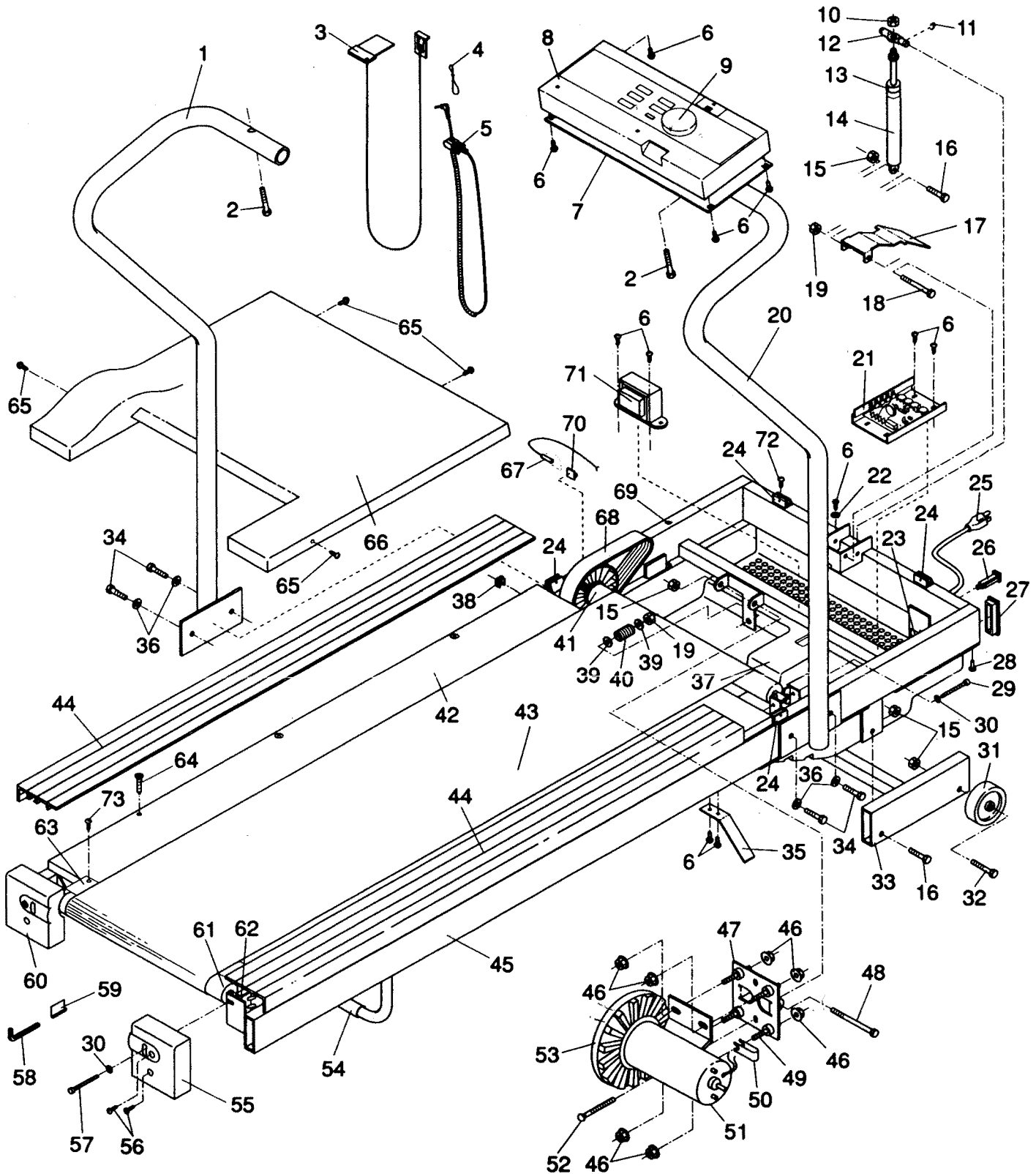
Rev. 4/93

| Key No. | Part No. | Qty. | Description                  | Key No. | Part No. | Qty. | Description             |
|---------|----------|------|------------------------------|---------|----------|------|-------------------------|
| 1       | 112362   | 1    | Left Handrail                | 38      | 111430   | 4    | Cage Nut                |
| 2       | 013464   | 2    | Long Handrail Bolt           | 39      | 014041   | 2    | Flat Washer             |
| 3       | 106337   | 1    | Safety Key/Clip              | 40      | 104514   | 1    | Tension Spring          |
| 4       | 054013   | 1    | Clothes Clip                 | 41      | 109711   | 1    | Front Roller/Pulley     |
| 5       | 101508   | 1    | Pulse Earclip                | 42      | 110822   | 1    | Walking Platform        |
| 6       | 108080   | 13   | Small Screw                  | 43      | 110821   | 1    | Walking Belt            |
| 7       | 111167   | 1    | Console Plate                | 44      | 112501   | 2    | Foot Rail               |
| 8       | 112503   | 1    | Console                      | 45      | NSP      | 1    | Frame                   |
| 9       | 110000   | 1    | Speed Control Knob           | 46      | 105477   | 8    | Motor Mount Nut         |
| 10      | 112404   | 1    | Incline Shock Nut            | 47      | 110589   | 1    | Motor Mount Plate       |
| 11      | 054016   | 1    | E-Clip                       | 48      | 101263   | 1    | Motor Pivot Bolt        |
| 12      | 008149   | 1    | Shock Bracket                | 49      | 108473   | 4    | Motor Isolator          |
| 13      | 059019   | 1    | Rubber Bumper                | 50      | 108474   | 1    | Ground Strap            |
| 14      | 112507   | 1    | Shock                        | 51      | 111560   | 1    | Motor                   |
| 15      | 012108   | 6    | Lock Nut                     | 52      | 013207   | 1    | Carriage Bolt           |
| 16      | 013564   | 3    | Incline Shock Bolt/Leg Bolt  | 53      | 108276   | 1    | Pulley/Flywheel/Fan     |
| 17      | 112386   | 1    | Incline Pedal                | 54      | 110407   | 1    | Rear Leg Pad            |
| 18      | 013426   | 1    | Incline Pedal Bolt           | 55      | 108470   | 1    | Right Endcap            |
| 19      | 012082   | 2    | Pedal Nut/Tension Nut        | 56      | 013300   | 4    | Endcap Screw            |
| 20      | 112365   | 1    | Right Handrail               | 57      | 105444   | 2    | Rear Roller Adj. Bolt   |
| 21      | 109786   | 1    | Controller                   | 58      | 045010   | 1    | Allen Wrench            |
| 22      | 014157   | 1    | Ground Washer                | 59      | 016028   | 1    | Wrench Clip             |
| 23      | 019084   | 1    | Grommet                      | 60      | 108469   | 1    | Left Endcap             |
| 24      | 109095   | 4    | Hood Anchor                  | 61      | 109788   | 1    | Rear Roller             |
| 25      | 031229   | 1    | Power Cord                   | 62      | 105000   | 2    | Rear Roller Spacer      |
| 26      | 109382   | 1    | Circuit Breaker              | 63      | 010206   | 2    | Roller Guard            |
| 27      | 109269   | 2    | Frame Endcap                 | 64      | 100691   | 6    | Platform Screw          |
| 28      | 104623   | 10   | Belly Pan Screw              | 65      | 108404   | 4    | Hood Screw              |
| 29      | 112609   | 1    | Front Roller Adjustment Bolt | 66      | 112502   | 1    | Motor Hood w/Decal      |
| 30      | 014127   | 3    | Roller Adjustment Washer     | 67      | 111873   | 1    | Reed Switch/Sensor Wire |
| 31      | 052014   | 2    | Front Wheel                  | 68      | 106939   | 1    | Belt                    |
| 32      | 105329   | 2    | Wheel Bolt                   | 69      | 016055   | 3    | Wire Clip               |
| 33      | 110752   | 1    | Incline Leg                  | 70      | 111680   | 1    | Reed Switch Clip        |
| 34      | 104063   | 4    | Handrail Bolt                | 71      | 031238   | 1    | Choke                   |
| 35      | 109265   | 2    | Belt Guide                   | 72      | 101049   | 4    | Hood Anchor Screw       |
| 36      | 110468   | 4    | Handrail Washer              | 73      | 013162   | 2    | Roller Guard Screw      |
| 37      | 108472   | 1    | Belly Pan                    | #       | 112371   | 1    | Owner's Manual          |

Note: "#" indicates a non-illustrated part. Specifications are subject to change without notice. See the back cover of this manual for information about ordering replacement parts.

# EXPLODED DRAWING—Model No. 831.297400

Rev. 4/93



---

# **ORDERING REPLACEMENT PARTS**

Each TREADMILL has its own MODEL NUMBER. Always mention the MODEL NUMBER when requesting service or repair parts for your TREADMILL.

All parts listed may be ordered through SEARS, ROEBUCK AND CO. SERVICE CENTERS and most SEARS RETAIL STORES.

If parts you need are not stocked locally, your order will be transmitted to a SEARS PARTS DISTRIBUTION CENTER for handling.

**WHEN ORDERING REPAIR PARTS, ALWAYS GIVE THE FOLLOWING INFORMATION:**

1. The MODEL NUMBER of the product (831.297400).
2. The NAME of the product (SEARS® LIFESTYLER 8.0 treadmill).
3. The PART NUMBER of the part(s), from page 14 of this manual.
4. The DESCRIPTION of the part(s), from page 14 of this manual.

Your SEARS merchandise has added value when you consider that SEARS has service units nationwide staffed with SEARS trained technicians specifically trained on SEARS products, having the parts, tools and equipment to ensure that we meet our pledge to you: "We service what we sell."

**SOLD BY SEARS, ROEBUCK AND CO., HOFFMAN ESTATES, IL 60179**