

CROWN

Specifications

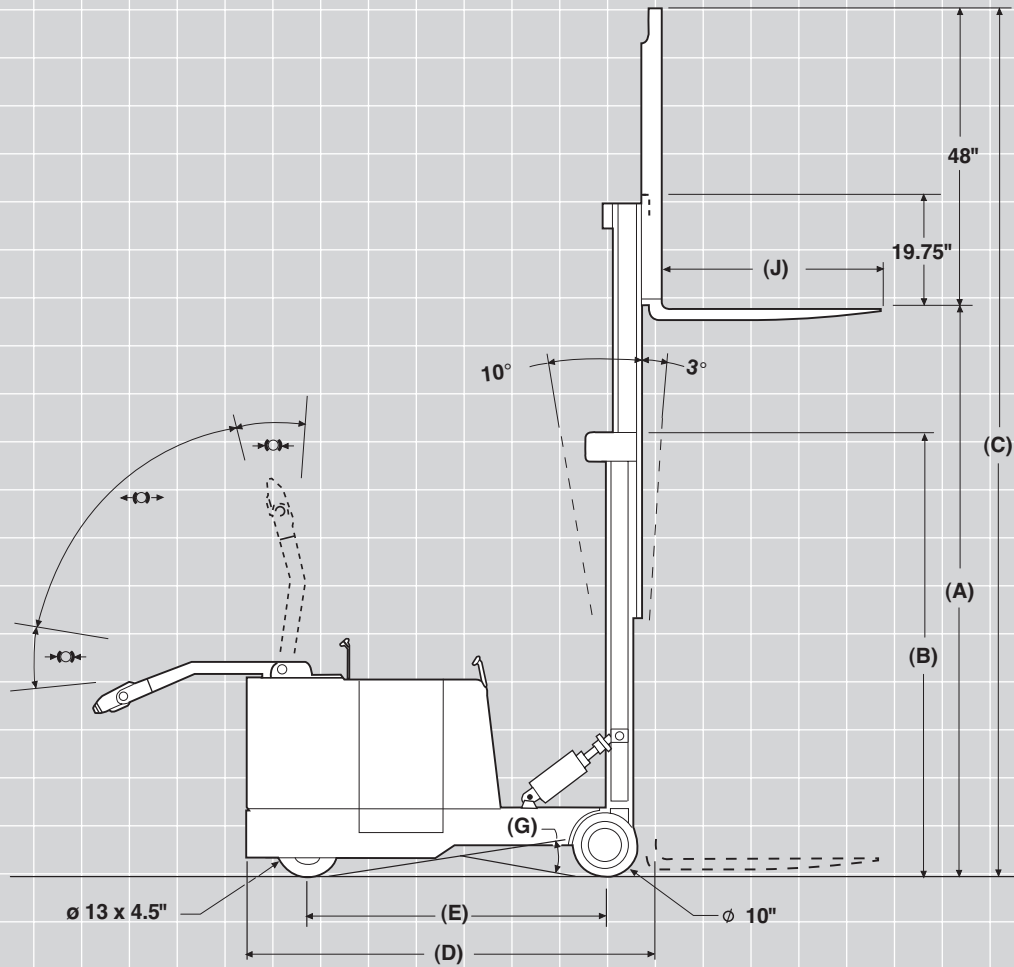
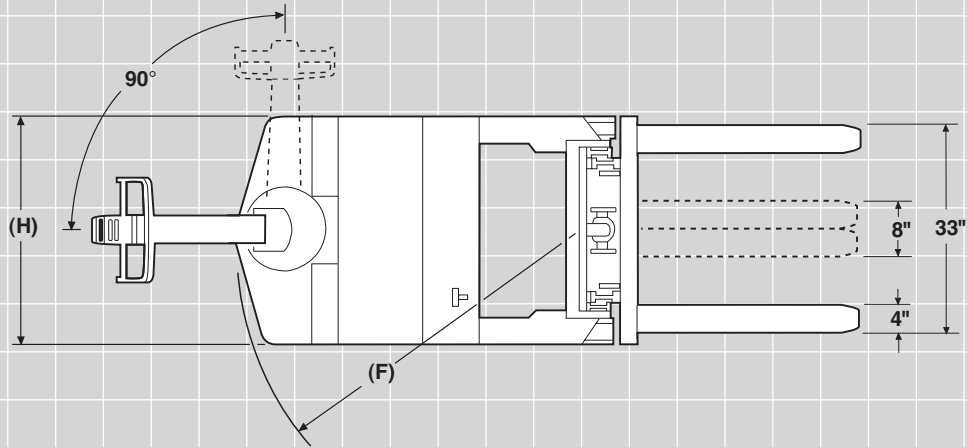
Series WB

Counterbalanced
Walkies

Series

WB





Series WB

Specifications

Model 20 WB* 2000 lb rated capacity at 24" load center		20WBTL Limited Free Lift		20WBTF Full Free Lift	
A	Lifting Height	106"	130"	106"	130"
	Capacity lb	2000	2000	2000	2000
	Free Lift	12	12	23	35
B	Collapsed Height	71	83	71	83
C	Extended Height**	154.5	178.5	154.5	178.5
	Net Weight Less Battery lb	3368	3447	3382	3455
D	Head Length	65"			
E	Wheelbase	47.5"			
F	Turning Radius	56.6"			
G	Grade Clearance	27%			
H	Overall Width	36"			
J	Fork Length	30", 36", 42" & 48"			
	Maximum Battery Size	13.12" x 31.75" x 23.25" High			
	Minimum Battery Weight	975 lb			
	Right Angle Stacking Aisle Width	Head Length (D) + Load Length + 8" Clearance			

Model 30 WB* 3000 lb rated capacity at 24" load center		30WBTL Limited Free Lift		30WBTF Full Free Lift		30WBTT 3 Stage Mast
A	Lifting Height	106"	130"	106"	130"	154"
	Capacity lb	3000	3000	3000	3000	3000
	Free Lift	12	12	23	35	23
B	Collapsed Height	71	83	71	83	71
C	Extended Height**	154.5	178.5	154.5	178.5	202.5
	Net Weight Less Battery lb	4271	4384	4291	4402	4787
D	Head Length	70"				
E	Wheelbase	52.5"				
F	Turning Radius	61.6"				
G	Grade Clearance	26%				
H	Overall Width	37"				
J	Fork Length	30", 36", 42" & 48"				
	Maximum Battery Size	13.12" x 31.75" x 23.25" High				
	Minimum Battery Weight	975 lb				
	Right Angle Stacking Aisle Width	Head Length (D) + Load Length + 8" Clearance				

Model 40 WB* 4000 lb rated capacity at 24" load center		40WBTL Limited Free Lift		40WBTF Full Free Lift		40WBTT 3 Stage Mast
A	Lifting Height	106"	130"	106"	130"	154"
	Capacity lb	4000	4000	4000	4000	4000
	Free Lift	11.25	11.25	22.5	34.5	22.5
B	Collapsed Height	71	83	71	83	71
C	Extended Height**	155.5	179.5	155.5	179.5	203.5
	Net Weight Less Battery lb	4596	4709	4701	4824	5121
D	Head Length	77.5"				
E	Wheelbase	59.5"				
F	Turning Radius	68.6"				
G	Grade Clearance	26%				
H	Overall Width	39"				
J	Fork Length	30", 36", 42" & 48"				
	Maximum Battery Size	13.12" x 31.75" x 23.25" High				
	Minimum Battery Weight	975 lb				
	Right Angle Stacking Aisle Width	Head Length (D) + Load Length + 8" Clearance				

* Optional masts, attachments, longer load dimensions, and higher lifting heights may result in derating of the capacity. Contact dealer.

**Includes 48" high load backrest.

Capacities

Model 20WB: 2000 lb at 24" load center.
 Model 30WB: 3000 lb at 24" load center.
 Model 40WB: 4000 lb at 24" load center.

Maximum Battery Size

31.75" wide x 13.12" long x 23.25" high.

Batteries

Up to 600 amp hour capacity available. 24 volt electrical system. The 20WB, 30WB, and 40WB must have a battery weighing 975 lbs or more.

Travel Speeds

In third speed: Loaded, 2.5 mph; Empty, 3.0 mph. These speeds are average for all Walkie Counterbalanced trucks. For safety, third speed is automatically shut off when forks reach 68" on WBTL models, or when forks extend above free lift on WBTF and WBTT models.

Lifting/Lowering Speeds (fpm)

Empty (E), Loaded (L)

Models	Lifting Speed		Lowering Speed	
	E	L	E	L
20WBTF	64	27	30	26
20WBTL	64	38	50	42
30WBTF	55	26	50	27
30WBTL	56	34	50	40
30WBTT	46	30	23	36
40WBTF	44	24	20	23
40WBTL	44	25	20	25
40WBTT	44	23	20	26

Wheels and Tires

Polyurethane Drive Tire - 13" dia x 4.5" wide x 8" dia hub.

Rubber Drive Tire - 13.5" dia x 5.5" wide x 8" dia hub.

Load Wheels - 10" dia x 4" wide x 6.5" dia hub. 40WB load wheels are 5" wide. Polyurethane load wheels on 30WB and 40WB, rubber power saver compound standard on 20WB models.

Forks

Fork carriage standard ITA Class II hook type mounting. Fork lengths - 30", 36", 42" and 48". Fork spread - adjustable 33" maximum, 8" minimum.

Hydraulic System

Standard equipment includes:

1. Heavy duty motor and gear pump assembled as an integral unit.
2. Spool-type hydraulic control valve with built-in check and relief valve for efficient overload protection of lift and tilt circuits.
3. Pressure compensating flow control valve at base of lift cylinder regulates maximum lowering speed.
4. Lift cylinder diameters vary, and are designed to maintain optimum hydraulic pressure depending on capacity of truck. All WBTF and WBTT models are equipped with a three cylinder cluster to provide full free lift.
5. A conveniently located raise/lower lever is standard equipment. This throttle permits infinite control. Push button raise/lower controls can be installed in control handle as optional equipment.
6. Fixed flow control at side of tilt cylinder regulates maximum tilt speed.
7. Two double acting piston-type tilt cylinders.
8. A conveniently located lever for forward or backward tilt activation is standard. This throttle permits infinite control of tilt functions.

Electrical System

Standard equipment includes:

1. 24 volt electrical system.
2. Series wound high torque .85 hp drive motor.
3. Series wound high torque 5 hp lift motor.
4. Heavy duty pump contactor with replaceable tips.
5. Four heavy duty travel speed contactors. A solid-state time relay provides controlled acceleration between 2nd and 3rd speed.
6. Fused control and power circuits.
7. Color coded wiring for ease of service.
8. Key switch.
9. Power disconnect lever.

Drive Unit

Gear drive from motor to drive wheel axle. The gear train is mounted on ball and tapered roller bearings, and operates in an oil-filled, sealed housing.

Brake

Internal expanding mechanical brake with 5" drum and bonded brake linings. Brake is applied when control handle is within 15° of full vertical or full horizontal position.

Power Unit Structure

Access panel permits easy entry to all electric and hydraulic components.

Lift Structure

Outer and inner masts constructed of hot rolled carbon steel I-beam. Telescoping mast section nests in main upright to provide better visibility for operator.

Carriage Rollers

Alloy steel rollers contoured to fit mast are equipped with sealed ball bearings.

Control Handle

Control handle has dual twist-grips which control three speeds forward and reverse. Twist-grips return to neutral when released. The handle contains a large safety button which reverses the direction of the truck should the button touch the operator. A large horn button is standard equipment, as is a third speed cutoff switch.

Safety Switches

1. Third speed switch in control handle may be used to shut off high speed when operating in congested areas.
2. Limit switch automatically reduces maximum travel speed immediately upon extension of second and third stages on WBTF and WBTT models, and when forks extend above 68" on WBTL models.
3. Reversing button on control handle reverses direction of travel when actuated by the operator.

Optional Equipment and Modifications

1. Transistor speed control.
2. Raise and lower control on retractable cord.
3. Hour meter.
4. Higher lifting heights.
5. Additional counterweight, when smaller batteries are used.
6. One-or two spool auxiliary valves for controlling various hydraulic attachments.
7. Special attachment-sideshifter, drum handling equipment, paper roll clamp. For other special attachments, consult dealer.
8. Discharge indicator.

Other Options

1. Audible Travel Alarm.
 2. Flashing Lights.
- Safety considerations and dangers associated with audible travel alarms and flashing lights include:
- Multiple alarms and/or lights can cause confusion.
 - Workers ignore the alarms and/or lights after day-in and day-out exposure.
 - Operator may transfer the responsibility for "looking out" to the pedestrians.
 - Annoys operators and pedestrians.

Dimensions and performance data given may vary due to manufacturing tolerances. Performance is based on an average size vehicle and is affected by weight, condition of truck, how it is equipped and the conditions of the operating area. Crown products and specifications are subject to change without notice.



Crown Equipment Corporation
 New Bremen, Ohio 45869 USA
Tel 419-629-2311
Fax 419-629-3796
 crown.com

Because Crown is continually improving its products, specifications are subject to change without notice.
 Copyright 2002 Crown Equipment Corporation
 Printed in U.S.A.

The Momentum symbols are a trademark of Crown Equipment Corporation.