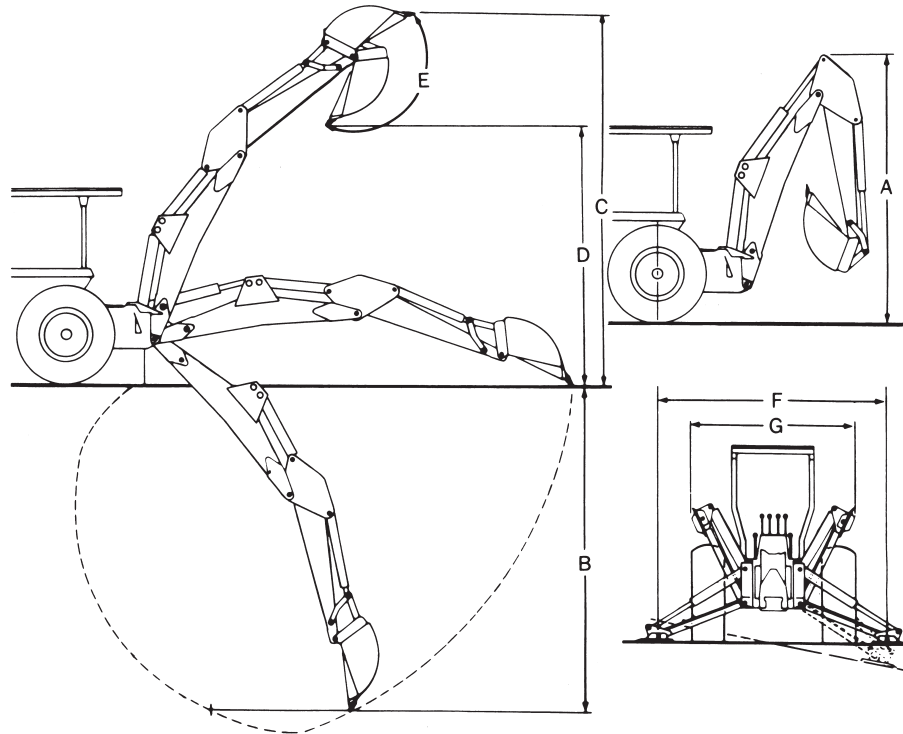


New Holland 700 Series Utility Backhoe Specifications

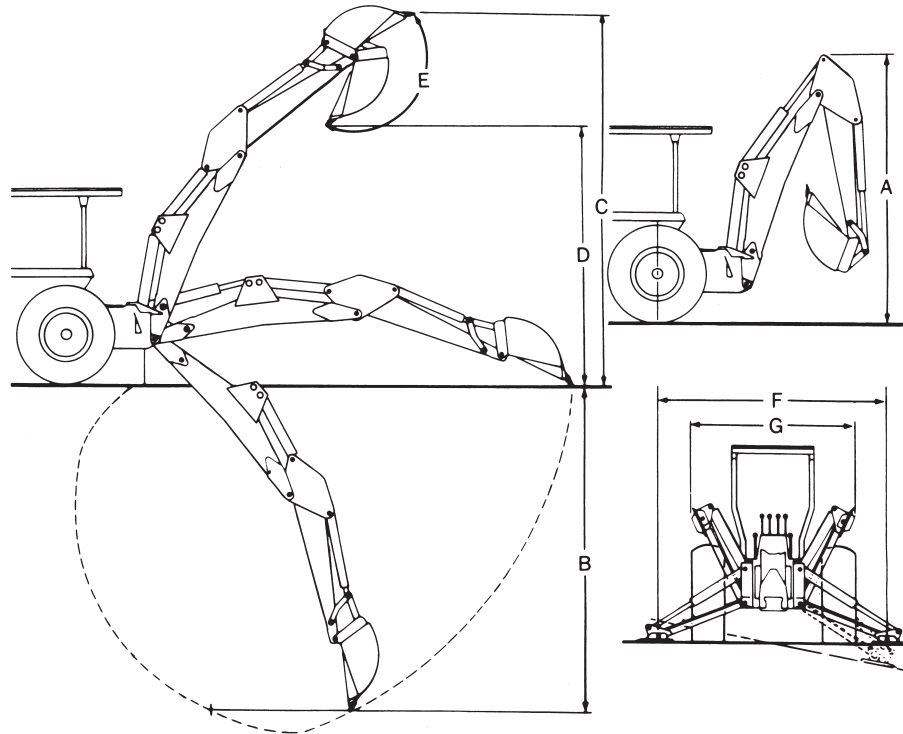
756C 757C 758C 759C



MODEL	756C	757C	758C	759C
Reach from swing pivot, in. (mm)	107 (2718)	119 (3023)	132 (3353)	149 (3785)
Swing arc.....	180°			
A. Transport height, in. (mm)	68.5 (1740)	75 (1905)	81 (2057)	95 (2413)
Digging depth, in. (mm)				
B. 2-foot flat bottom, in. (mm)	72 (1829)	90 (2286)	102 (2591)	114 (2896)
C. Operating height, in. (mm)				
(fully raised)	107 (2718)	118 (2997)	127.7 (3244)	145 (3683)
D. Loading height, in. (mm)	57 (1448)	66 (1676)	76 (1930)	92 (2337)
E. Bucket rotation	171°	170°	170°	180°
F. Stabilizer spread, in. (mm)				
(working)	78 (1981)	78 (1981)	78 (1981)	117 (2972)
G. Stabilizer spread, in. (mm)				
(transport)	41 (1041)	50 (1270)	50 (1270)	74 (1880)
Digging force - bucket, lbs. (kg)	2,875 (1304)	2,675 (1213)	3,550 (1610)	4,400 (1996)
Digging force - dipper, lbs. (kg)	1,744 (791)	2,105 (955)	2,225 (1009)	2,800 (1270)
Operating pressure, psi (bar)	2,150 (148)	2,000 (138)	2,150 (148)	2,500 (172)
Ground clearance, in. (mm)	11 (279)	12 (305)	12 (305)	12 (305)
Swing mechanism.....	dbl. cyl.....			
Transport locks	swg, boom	swg, boom	swg, boom, stab	swg, boom
Applicable buckets, in. (mm)	9, 12, 16, 18 (229, 305, 406, 457)	9, 12, 16, 18 (229, 305, 406, 457)	12, 16, 18, 24 (305, 406, 457, 610)	12, 16, 18, 24 (305, 406, 457, 610)
Weight, lbs. (kg)	700 (318)	872 (396)	900 (408)	1,468 (666)

New Holland 900GH Series Utility Backhoe Specifications

920GH 930GH 940GH



MODEL	920GH	930GH	940GH
Reach from swing pivot, in. (mm)	123 (3124)	134 (3404)	149 (3785)
Swing arc	180°		
A. Transport height, in. (mm)	79 (2007)	84.7 (2151)	96 (2438)
Digging depth, in. (mm)	B. 2-foot flat bottom, in. (mm)		
B. 2-foot flat bottom, in. (mm)	89.9 (2283)	102 (2591)	113.5 (2883)
C. Operating height, in. (mm)	D. Loading height, in. (mm)		
(fully raised)	119 (3023)	131 (3327)	144 (3658)
D. Loading height, in. (mm)	69.8 (1773)	80 (2032)	91 (2311)
E. Bucket rotation	180°		
F. Stabilizer spread, in. (mm)	G. Stabilizer spread, in. (mm)		
(working)	79 (2007)	91 (2311)	91 (2311)
G. Stabilizer spread, in. (mm)	(transport)		
(transport)	54 (1372)	53 (1346)	53 (1346)
Digging force - bucket, lbs. (kg)	2,875 (1304)	4,100 (1860)	4,100 (1860)
Digging force - dipper, lbs. (kg)	2,020 (916)	2,130 (966)	2,670 (1211)
Operating pressure, psi (bar)	2,150 (148)	2,500 (172)	2,500 (172)
Ground clearance, in. (mm)	12 (305)		
Swing mechanism	dbl. cyl.		
Transport locks	swg, boom		
Applicable buckets, in. (mm)	9, 12, 16, 18, 24, 36 (229, 305, 406, 457, 610, 914)	12, 16, 18, 24, 36 (305, 406, 457, 610, 914)	12, 16, 18, 24, 36 (305, 406, 457, 610, 914)
Weight, lbs. (kg)	875 (397)	980 (445)	1,100 (499)

Visit our Web site at www.newholland.com/na. Or, call toll-free **866-NEW-HLND (866-639-4563)**.

Design, materials and/or specifications are subject to change without notice and without liability therefor. Specifications are applicable to units sold in Canada, the United States, its territories and possessions, and may vary outside these areas.



Safety begins with a thorough understanding of the equipment. Always make sure you and your operators read the Operator's Manual before using the equipment. Pay close attention to all safety and operating decals and never operate machinery without all shields, protective devices and structures in place.