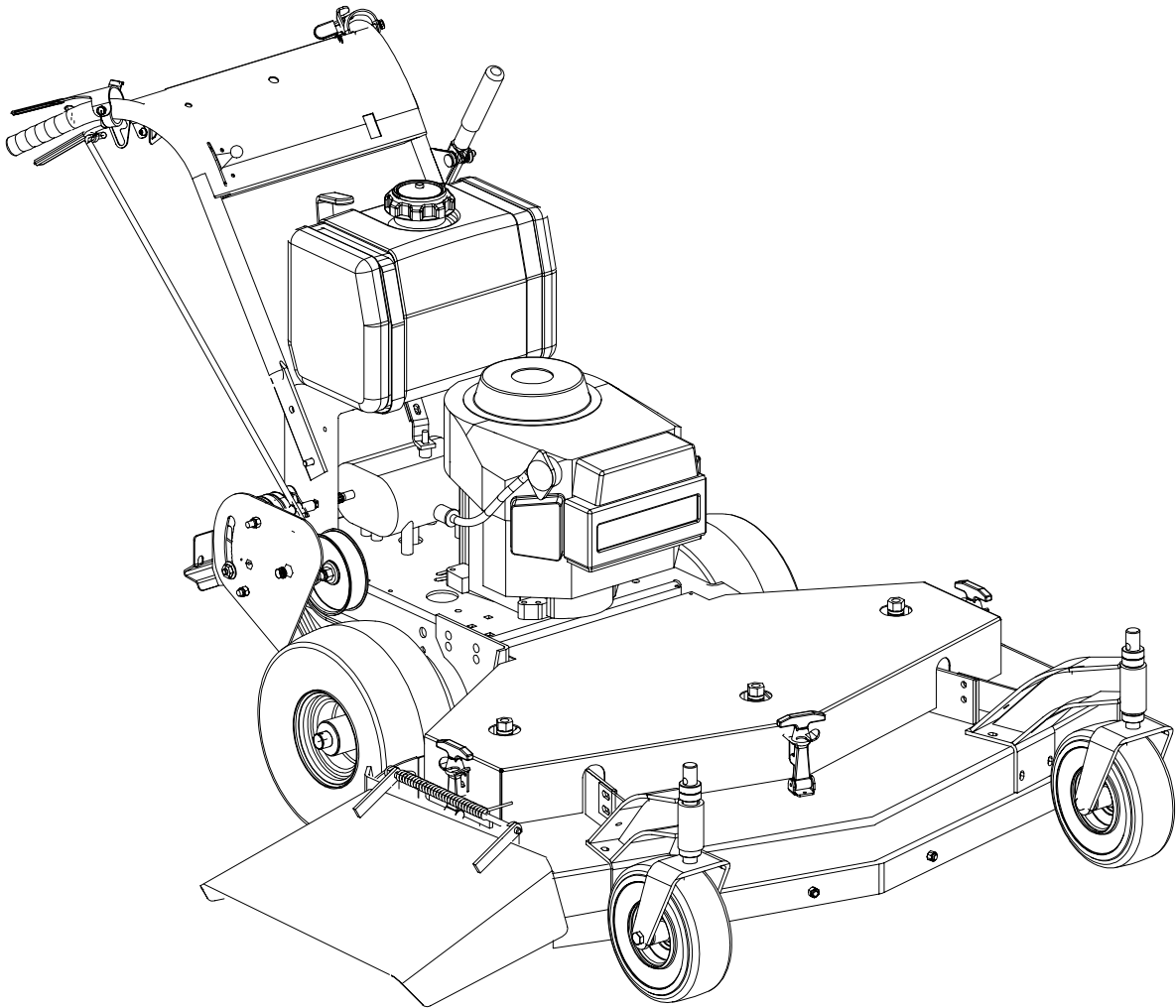


MTD PRO[®]

1332G (55AD210Q195), 1336G (55AE210R195)

Walk-Behind Commercial Rotary Mowers

Professional Turf Equipment



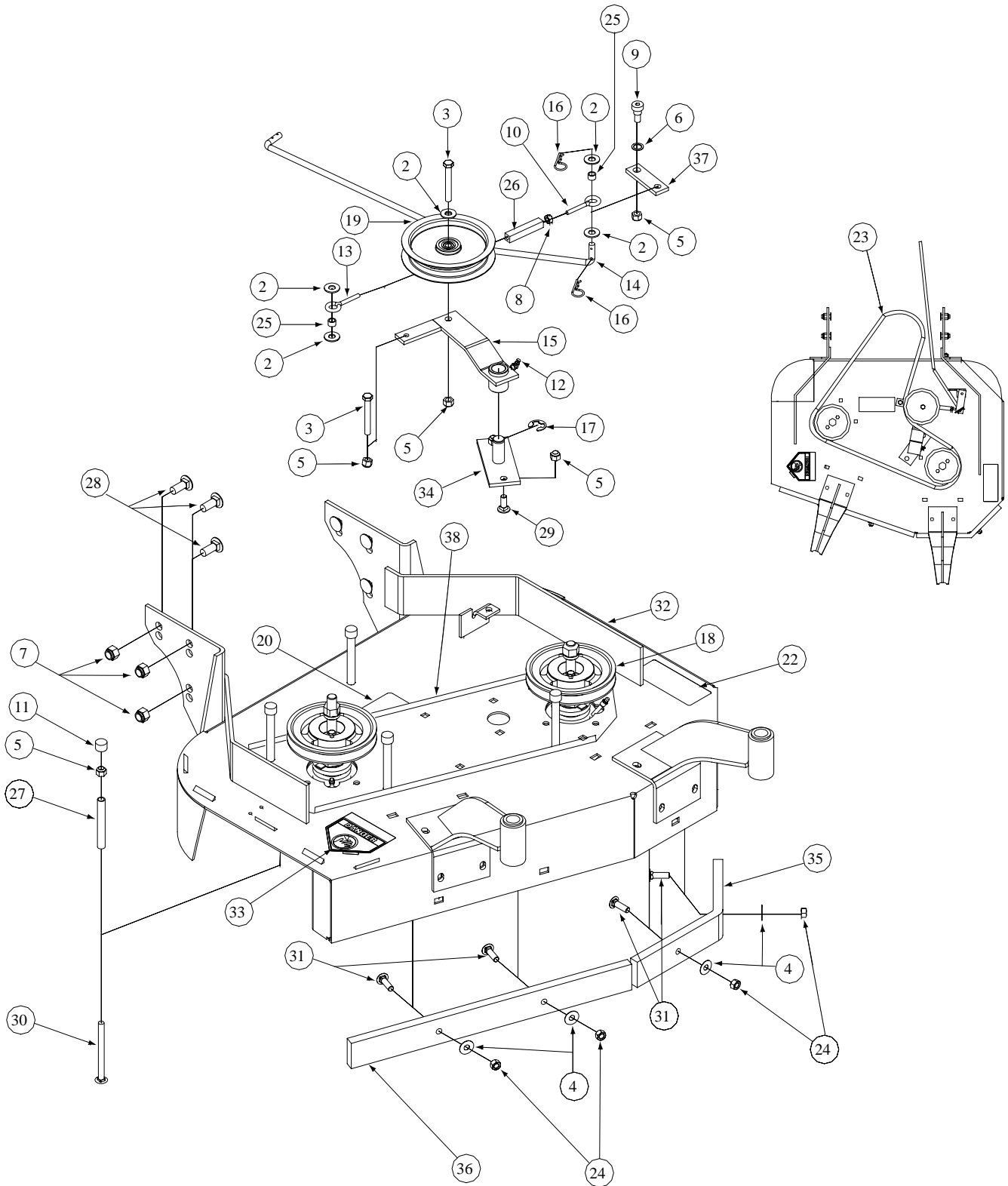
ILLUSTRATED PARTS LIST

This Page Left Blank Intentionally

TABLE OF CONTENTS

1332G / 32" Fabricated Cutter Deck and Parts List.	4 and 5
1332G / 32" Fabricated Deck Cover.	6
1332G, 1336G / 32" & 36" Chute Assembly.	7
1332G / 32" Spindle Assembly.	8
1336G / 36" Fabricated Deck Cover.	9
1336G / 36" Deck Assembly & Parts List.	10 & 11
1336G / 36" Spindle Assembly.	12
1332G, 1336G / Caster Assembly.	13
1332G, 1336G / Tank Assembly.	14
1332G, 1336G / Handle Assembly.	15
1336G / Deck Assembly Standard Track.	16
1332G / Deck Assembly Narrow Track.	17
1336G / Brake Assembly Standard Track.	18
1332G / Brake Assembly Narrow Track.	19
1332G, 1336G / Vari-Touch Drive Assembly.	20
1332G, 1336G / 13HP Kohler Engine Assembly.	21

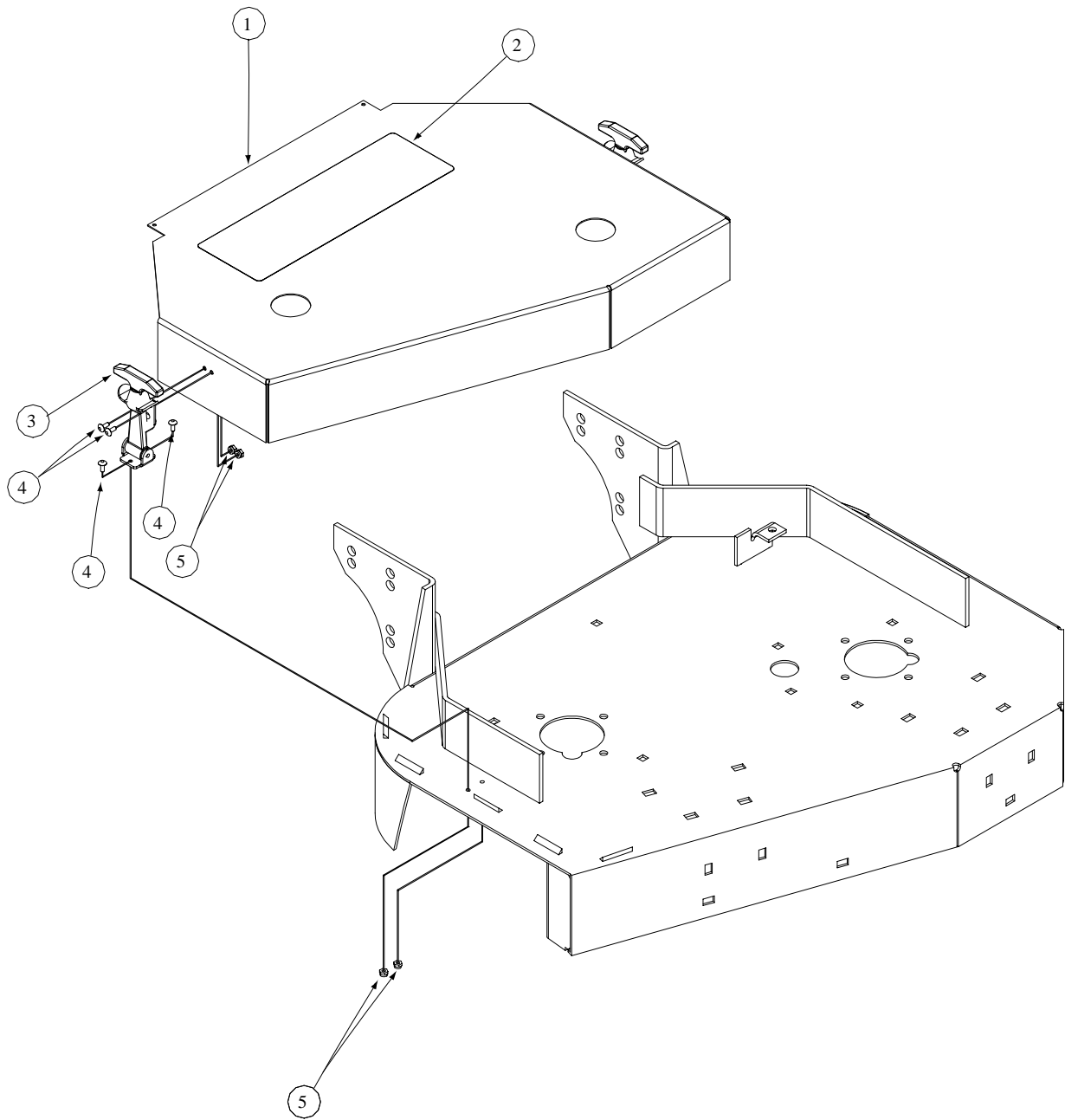
1332G / 32" Fabricated Cutter Deck - Figure 1



1332G / 32" Fabricated Cutter Deck - Parts List for Figure 1

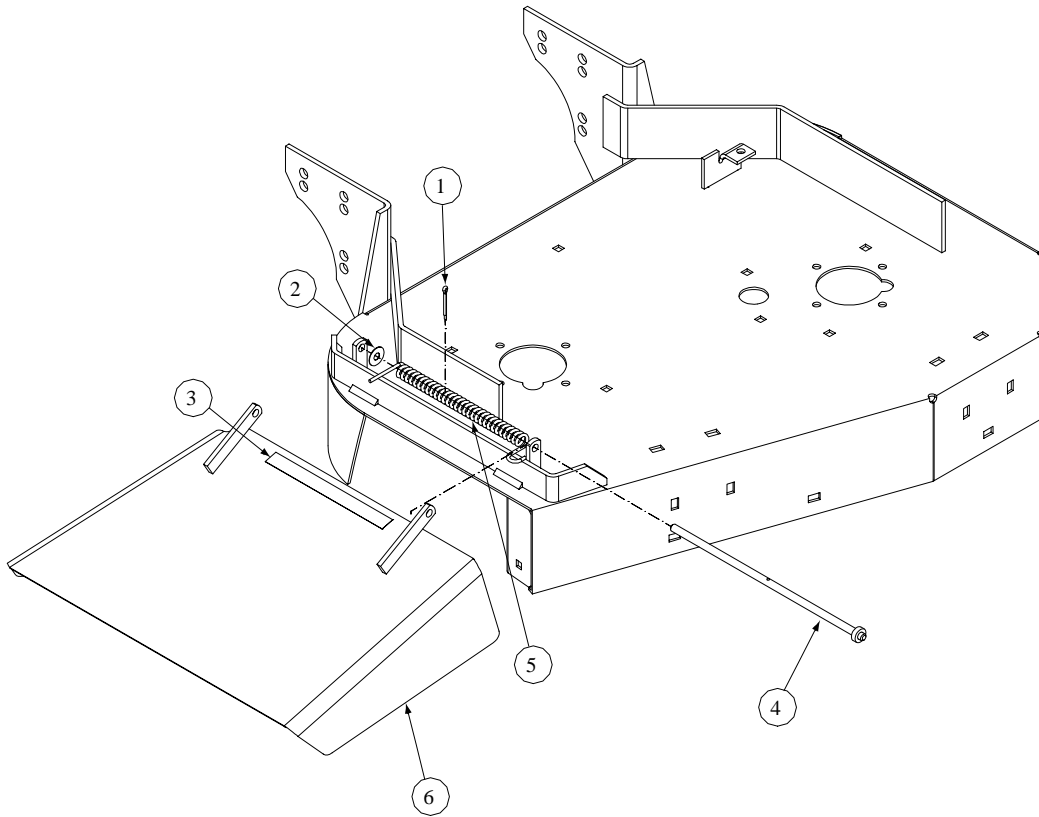
Ref. No.	Part No.	Description	Qty.
1	--	--	--
2	00006168	Flat Washer, 3/8 Zinc	5
3	01001371	Hex Cap Screw, 3/8-16, 2.75	2
4	00012158	Flat Washer, 3/8 Zinc	4
5	00012173	Lock Nut, Nylon Insert, 3/8-16	10
6	00012402	Shim Washer	1
7	00012428	Lock Nut, Nylon Insert, 1/2-13	6
8	00013433	Hex Nut, 5/16-18	2
9	00014439	Shoulder Bolt	1
10	00014459	Eye Bolt, Right Hand	1
11	00018468	Cap, Black Vinyl	5
12	00021958	Grease Fitting, 1/4-28; 45°	1
13	00019271	Eye Bolt, Left Hand	1
14	00021884	Blade Clutch, Rod	1
15	00021895	Idler Arm	1
16	00021956	Hair Pin, 3/8"-1/2"	2
17	00021961	E-Ring, Retainer	1
18	00021970	Pulley Deck	2
19	00021977	Idler Deck Take-up	1
20	00030633	Decal Rotating Blade	1
21	--	--	--
22	00030635	Decal, Warning Shield Missing	1
23	00030779	Belt Drive	1
24	00034224	Lock Nut, 3/8-16	4
25	00062715	Turnbuckle, Sleeve	2
26	00092370	Turnbuckle	1
27	01000160	Spacer, Belt Guide	5
28	01000517	Carriage Bolt, 1/2-13 x 1-1/4	6
29	01000643	Carriage Bolt, 3/8-16 x 2	2
30	01000644	Carriage Bolt, 3/8-16 x 4.5	5
31	01002010	Carriage Screw, 3/8-16 x 1.25	4
32	01002150	Deck 32"	1
33	01002166	Decal, Danger, Hands and Feet	1
34	00063043	Idler Base	1
35	01003050	Bumper, Deck 32"	1
36	01003052	Bumper, Deck 32"	1
37	01003154	Pivot Arm	1
38	01005048	Deck Stiffener	1

1332G / 32" Fabricated Deck Cover - Figure 2 & Parts List



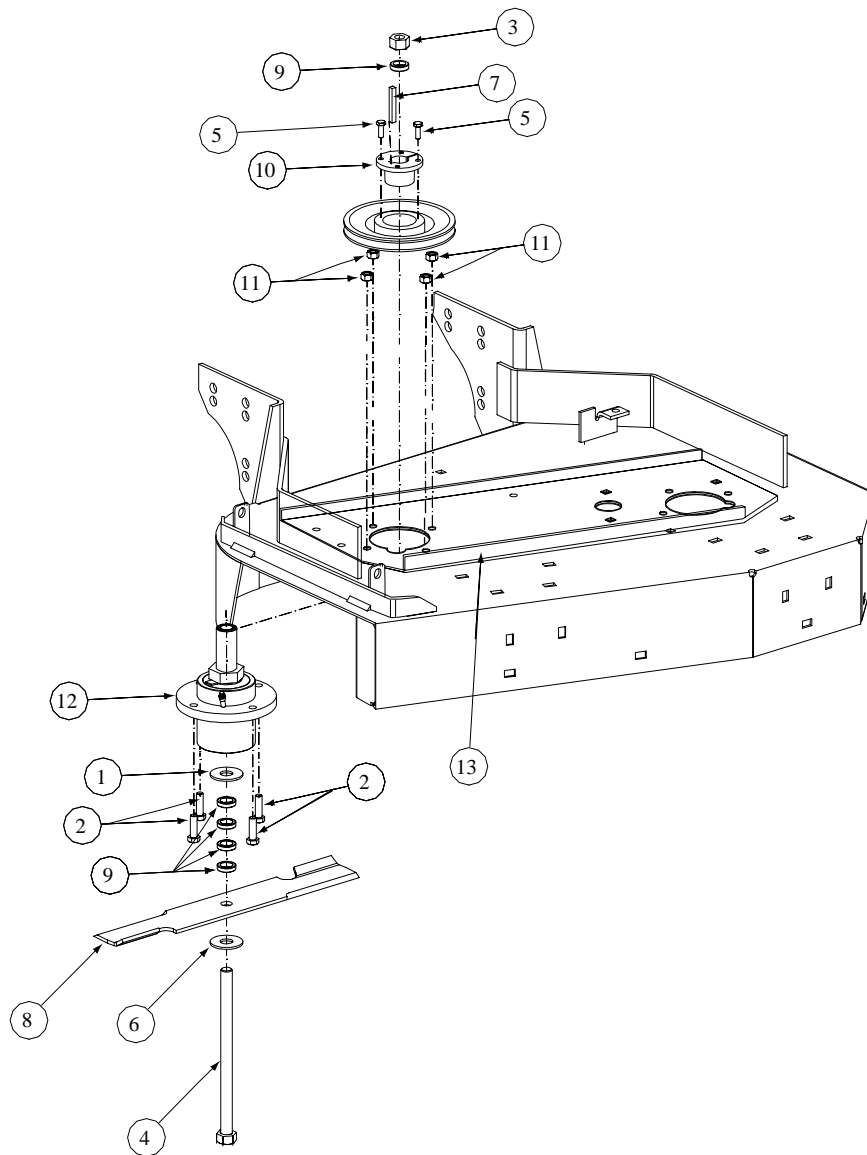
Ref. No.	Part No.	Description	Qty.
1	01002144	Deck Cover, 32"	1
2	01001073	Decal, 32"	1
3	00021951	Rubber Hood Latch	2
4	00008745	Machine Screw, 10-24 x 1/2	8
5	00006194	Lock Nut, Nylon Insert, 10-24	8

1332G, 1336G / 32" & 36" Chute Assembly - Figure 3 & Parts List



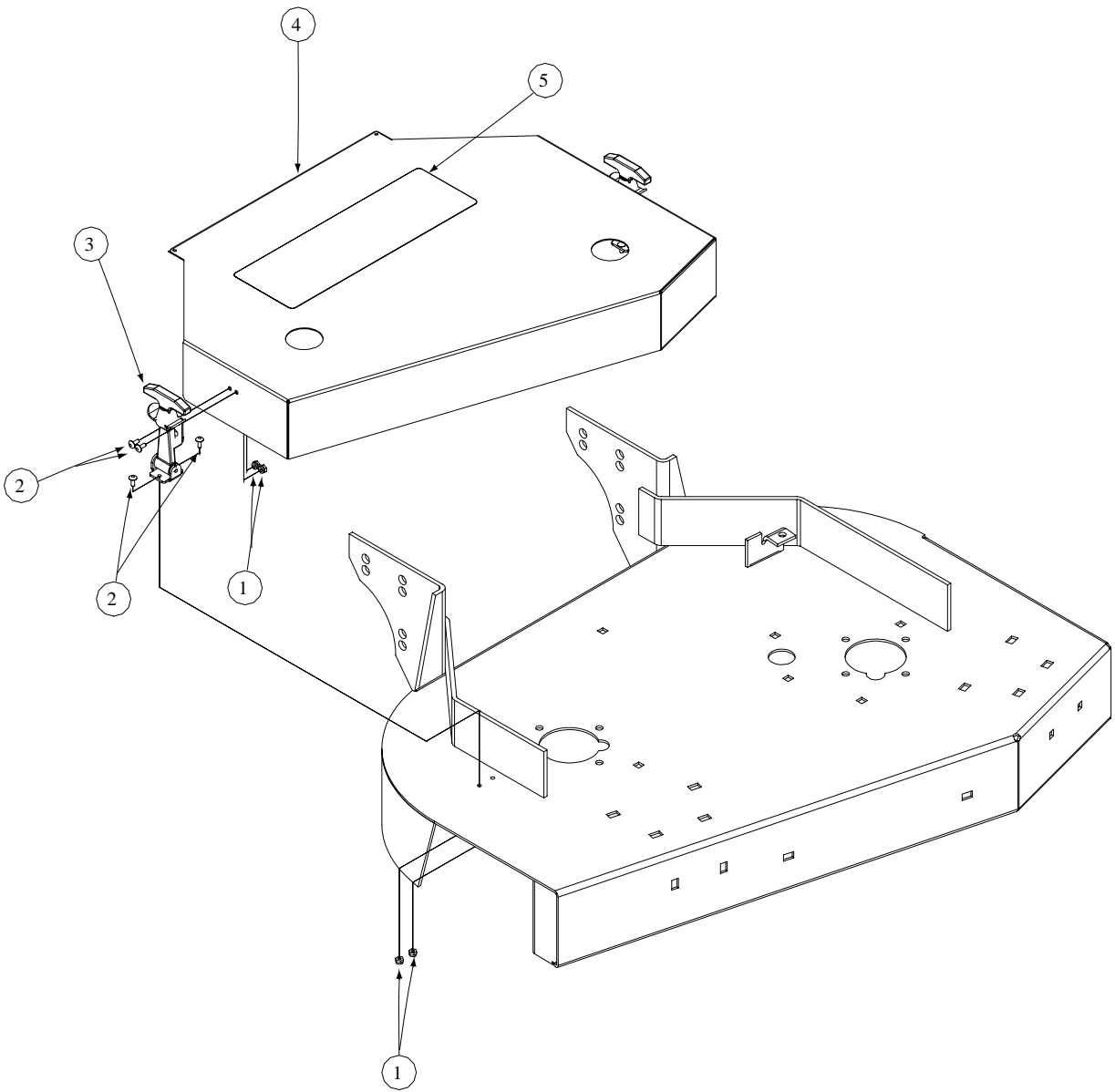
Ref. No.	Part No.	Description	Qty.
1	00003107	Cotter Pin, 5/32 x 1 1/2 Zinc	1
2	00012158	Flat Washer, 3/8, Zinc	1
3	00013597	Decal, Cut Line	1
4	00030644	Pin, Deflector Assembly, Weldment1	1
5	01002037	Torsion Spring	1
6	01004047	Chute Assembly Discharge	1

1332G / 32" Spindle Assembly - Figure 4 & Parts List



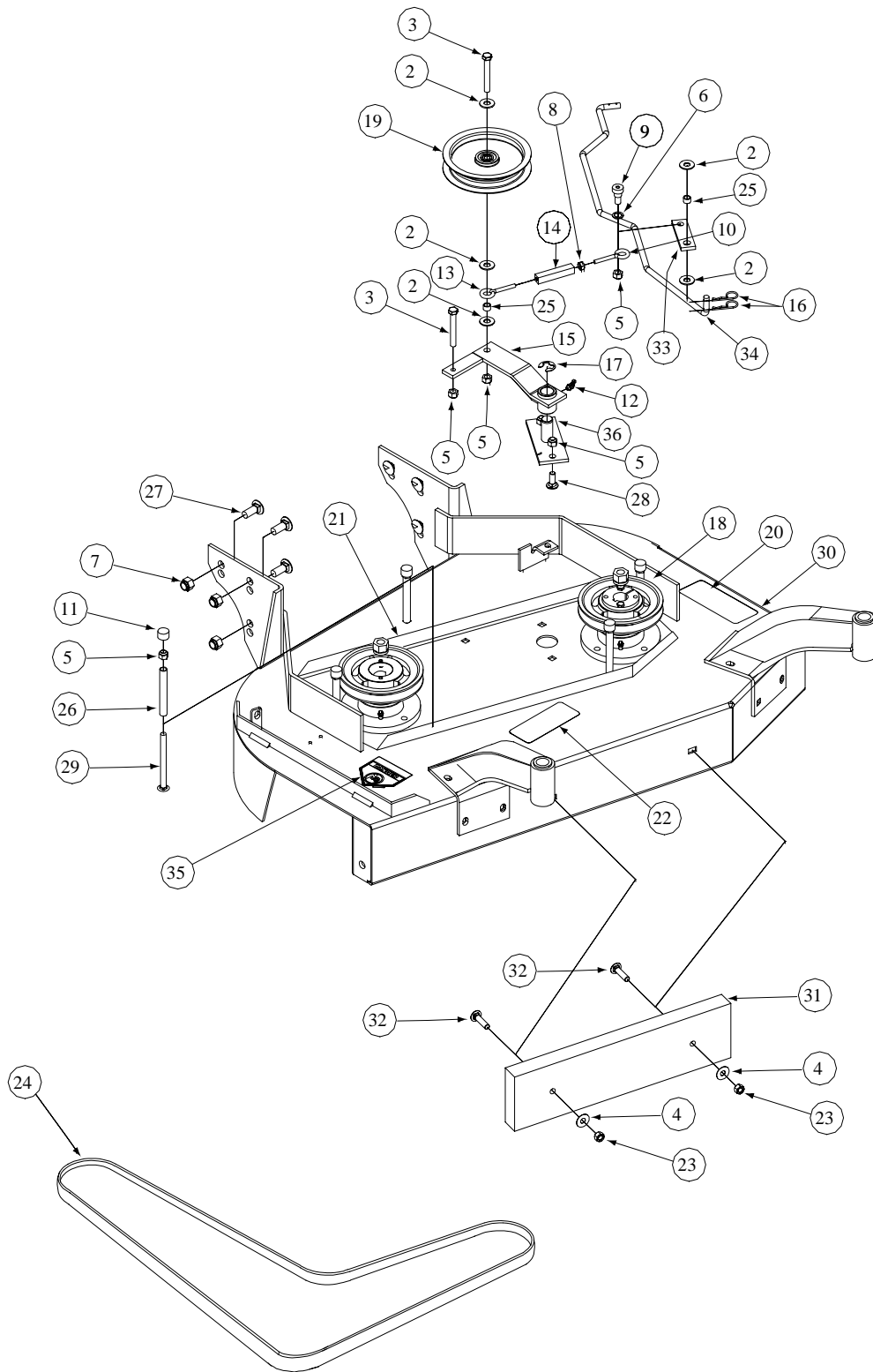
Ref. No.	Part No.	Description	Qty.
1	00002766	Flat Washer, 1-1/2 x 5/8 x .05	1
2	00011444	Hex Cap Screw, 3/8-16 x 1-1/4	4
3	00011807	Hex Nut, 5/8-11	1
4	00013091	Hex Cap Screw, 5/8-11 x 9-1/2	1
5	00013131	Hex Cap Screw, 1/4-20, .75	2
6	00013432	Flat Washer, 5/8 Zinc	1
7	00021517	Key Stick, 1/4 x 1/4 x 2	1
8	00021871	Rotary Blade, 16-1/2	1
9	00021924	Blade Spacer, 5/8 ID, 1/4 Thick	5
10	00021973	Bushing	1
11	00034224	Lock Nut, 3/8-16	4
12	00057412	Spindle Assembly	1
13	01005048	Deck Stiffener	1

1336G / 36" Fabricated Deck Cover - Figure 5 & Parts List



Ref. No.	Part No.	Description	Qty.
1	00006194	Lock Nut, Nylon Insert	8
2	00008745	Machine Screw, 10-24 x 1/2	8
3	00021951	Rubber Hood Latch	2
4	01001067	Deck Cover, 36	1
5	01001071	Decal 36 MTD	1

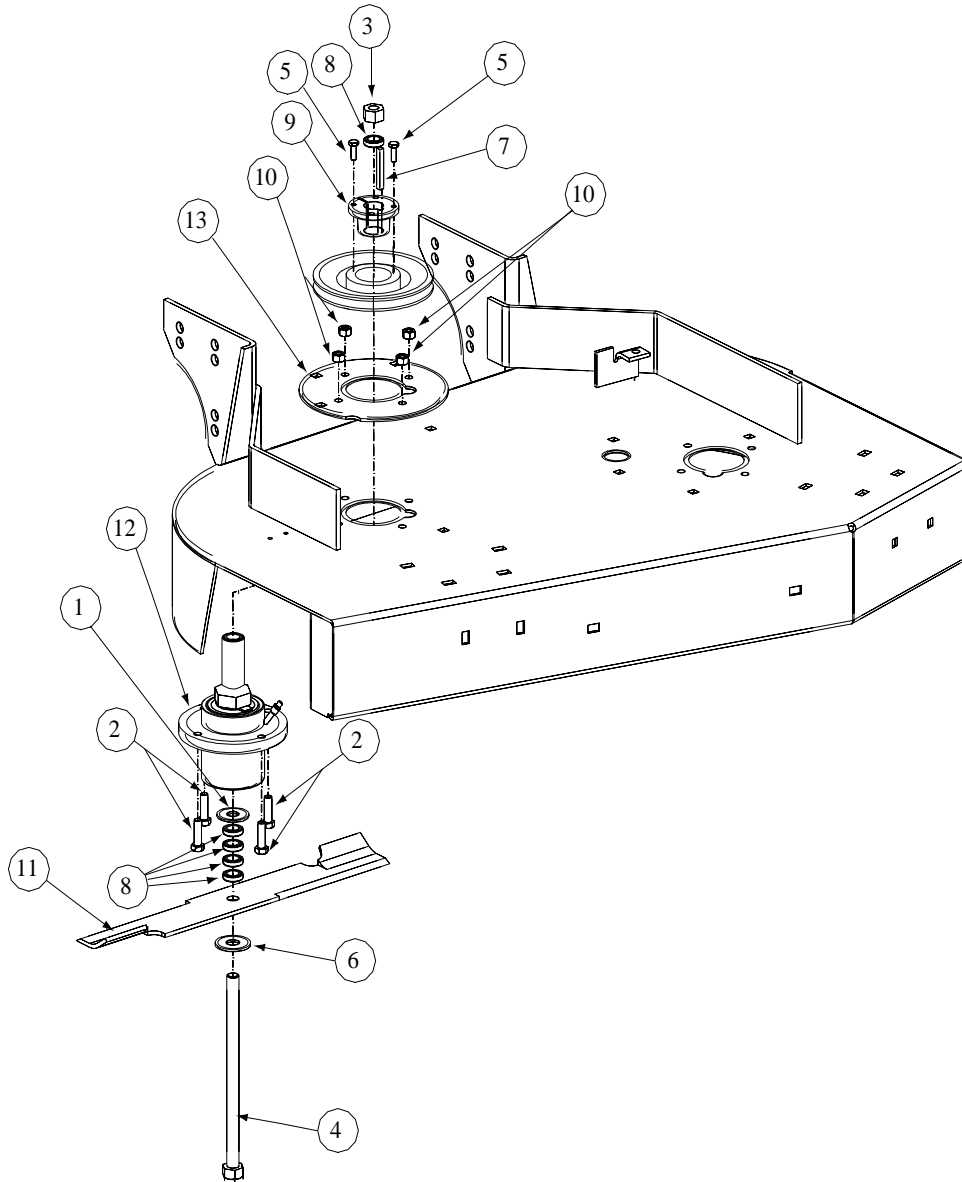
1336G / 36" Deck Assembly - Figure 6



1336G / 36" Deck Assembly - Parts List for Figure 6

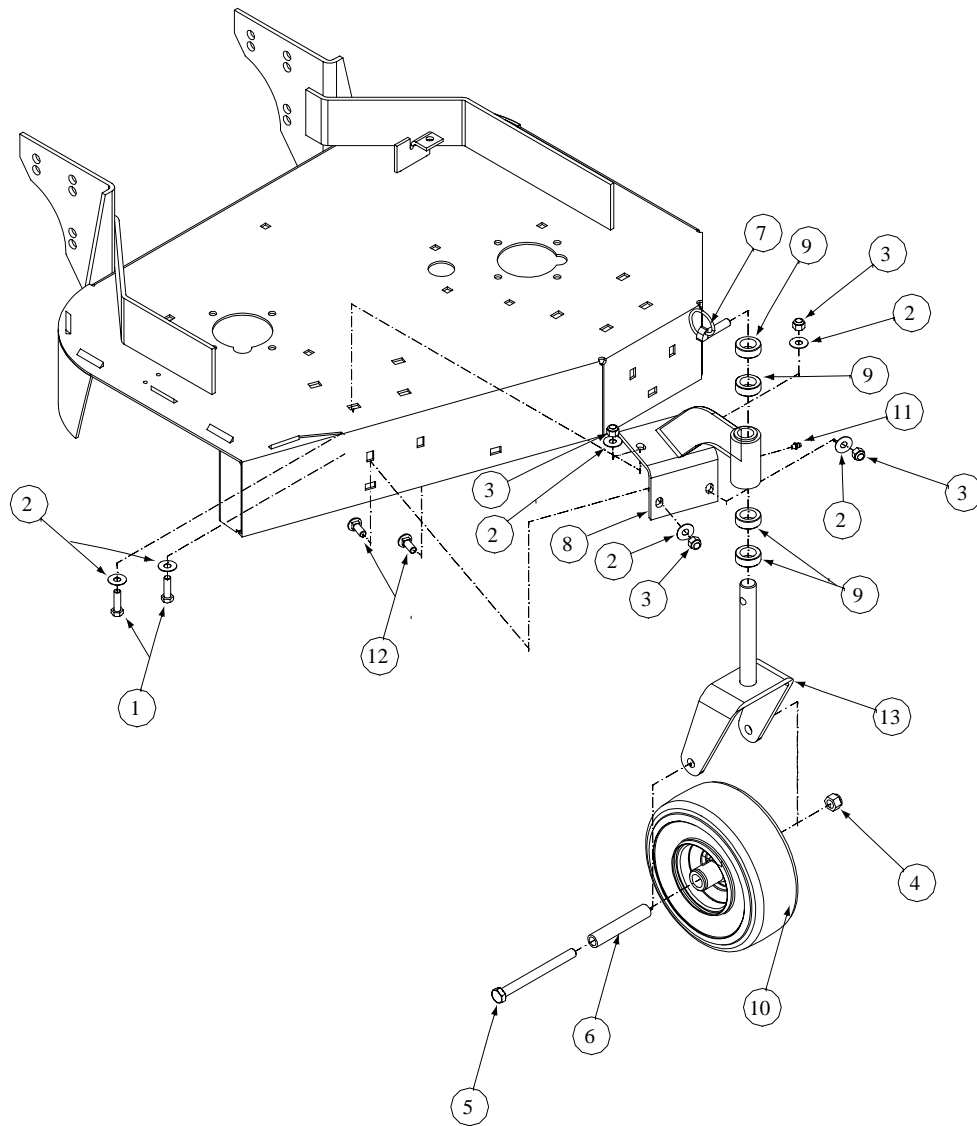
Ref. No.	Part No.	Description	Qty.
1	--	--	--
2	00006168	Flat Washer, 3/8 Zinc	5
3	01001371	Hex Cap Screw, 3/8-16, 2.75	2
4	00012158	Flat Washer, 3/8 Zinc	2
5	00012173	Lock Nut, Nylon Insert, 3/8-16	10
6	00012402	Shim Washer	1
7	00012428	Lock Nut, Nylon Insert, 1/2-13	6
8	00013433	Hex Nut, 5/16-18	1
9	00014439	Shoulder Bolt	1
10	00014459	Eye Bolt, Right Hand	1
11	00018468	Cap, Black Vinyl	5
12	00021958	Grease Fitting, 1/4-28 45°	1
13	00019271	Eye Bolt, Left Hand	1
14	00019554	Turnbuckle	1
15	00021895	Idler Arm	1
16	00021956	Hair Pin, 3/8"-1/2"	2
17	00021961	E-Ring, Retainer	1
18	00021970	Pulley Deck	2
19	00021977	Idler Deck Take-up	1
20	00030633	Decal Rotating Blade	1
21	01005045	Deck Stiffener	1
22	00030635	Decal, Warning Shield Missing	1
23	00034224	Lock Nut, 3/8-16	2
24	00050441	Belt Drive	1
25	00062715	Turnbuckle, Sleeve	2
26	01000160	Spacer, Belt Guide	5
27	01000517	Carriage Bolt, 1/2-13 x 1-1/4	6
28	01000643	Carriage Bolt, 3/8-16 x 2	2
29	01000644	Carriage Bolt, 3/8-16 x 4.5	5
30	01001069	Deck 36"	1
31	01002152	Bar Weight	1
32	01002011	Carriage Bolt, 3/8-16 x 1-1/2	2
33	01003154	Clutch Link	1
34	01002103	Blade Deck Clutch Rod	1
35	01002166	Decal, Danger Hands and Feet	1
36	00063043	Idler Base	1
37	--	--	--

1336G / 36" Spindle Assembly - Figure 8 & Parts List



Ref. No.	Part No.	Description	Qty.
1	00002766	Flat Washer, 1-1/2 x 5/8 x .05	1
2	00011444	Hex Cap Screw, 3/8-16 x 1-1/4	4
3	00011807	Hex Nut, 5/8-11	1
4	00013091	Hex Cap Screw, 5/8-11 x 9-1/2	1
5	00013131	Hex Cap Screw, 1/4-20, .75	2
6	00013432	Flat Washer, 5/8 Zinc	1
7	00021517	Key Stick, 1/4 x 1/4 x 2	1
8	00021924	Blade Spacer, 5/8 ID, 1/4 Thick	5
9	00021973	Bushing	1
10	00034224	Lock Nut, 3/8-16	4
11	00050125	Blade 18"	1
12	00057412	Spindle Assembly	1
13	01003231	Plate, Spindle Backing	1

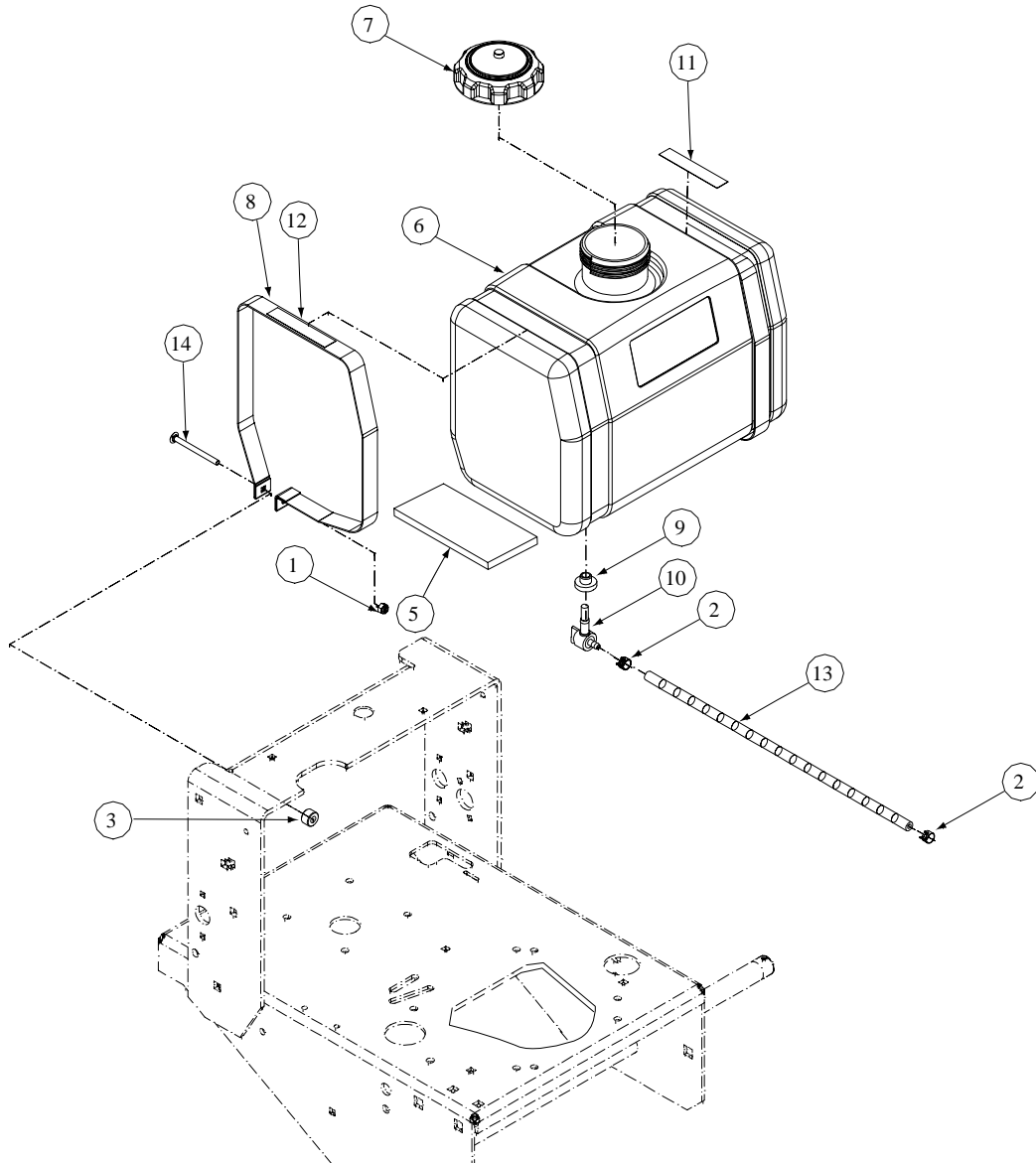
1332G, 1336G / Caster Assembly - Figure 9 & Parts List



Ref. No.	Part No.	Description	Qty.
1	00011444	Hex Cap Screw, 3/8-16 x 1-1/4	2
2	00012158	Flat Washer, 3/8 Zinc	6
3	00012173	Lock Nut, Nylon Insert, 3/8-16	4
4	00012428	Lock Nut, Nylon Insert, 1/2-13	1
5	00012675	Hex Cap Screw, 1/2-20, 5.50	1
6	00014528	Spacer Wheel	1
7	00021863	Klik Pin, 1.75	1
8	01001059	Caster Bracket Weldment	1
9	00021925	Spacer, Caster	4
10	00024155	Wheel Assembly, 9.0 x 3.50-4	1
11	00060078	Grease Fitting, 1/4-28 x 3/16	1
12	01000643	Carriage Bolt, 3/8-16 x 2	2
13	01001052	Caster Yoke Assembly, Weldment	1

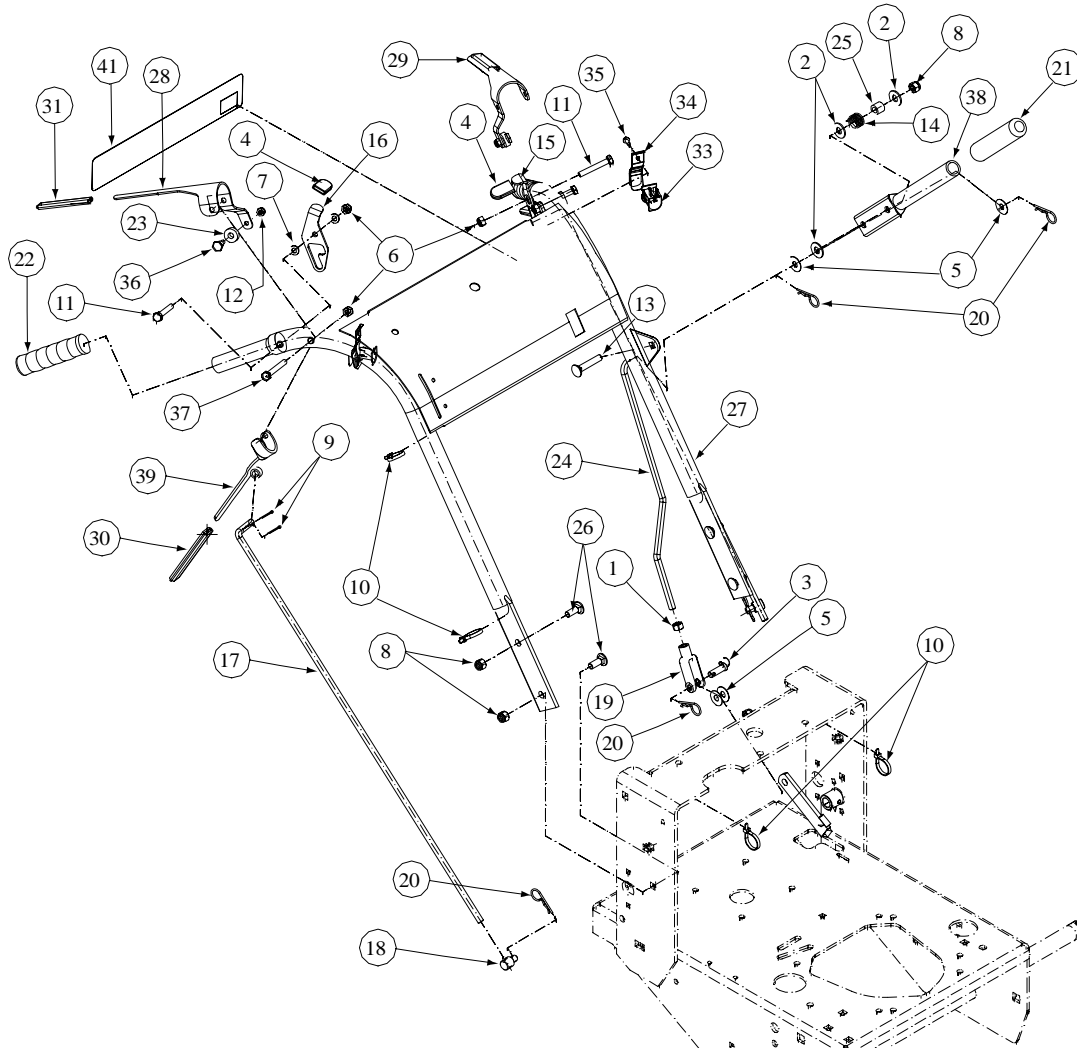
Note: Lubricant Grease by Ounce

1332G, 1336G / Tank Assembly - Figure 10 & Parts List



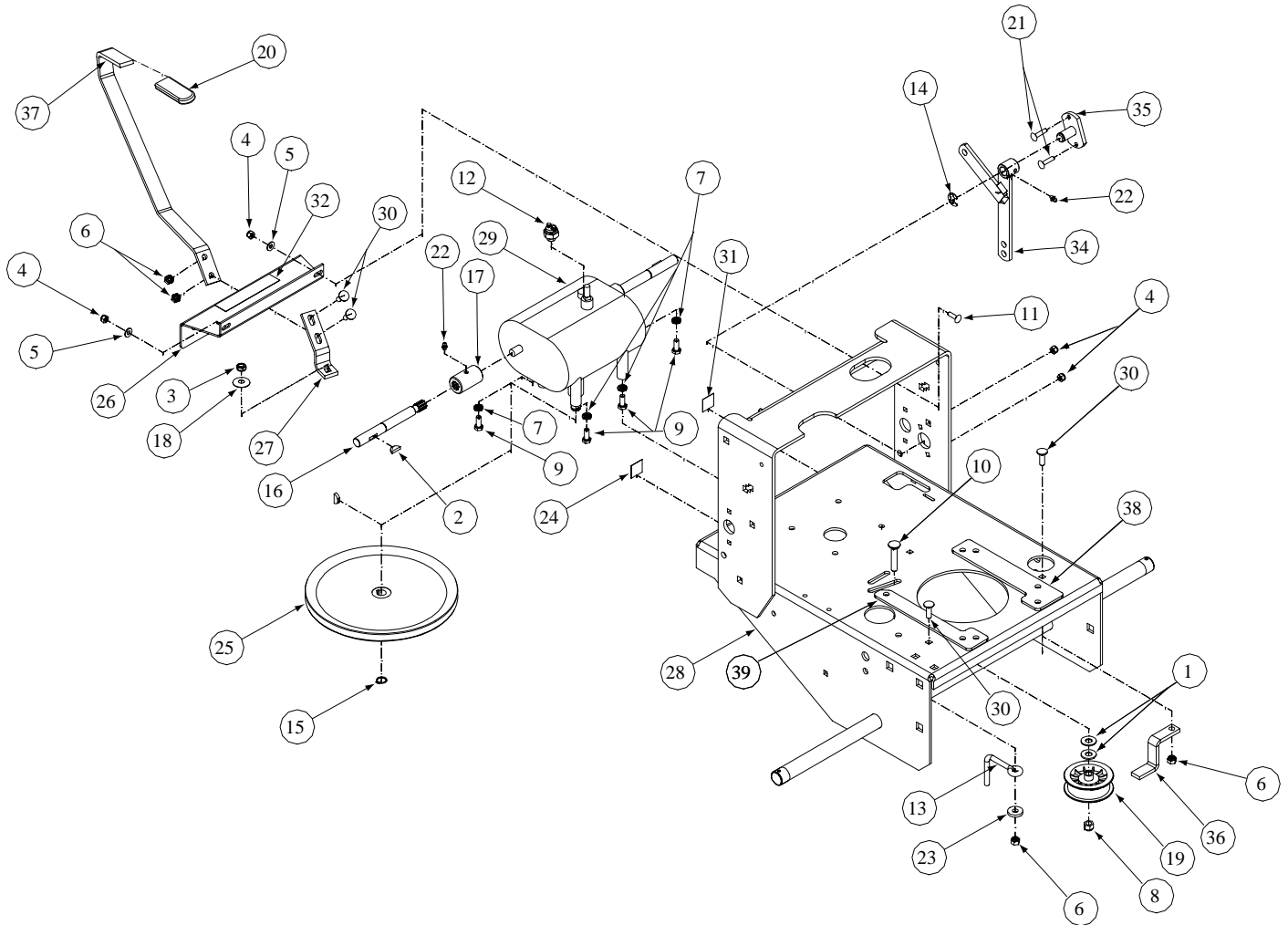
Ref. No.	Part No.	Description	Qty.
1	00012152	Lock Nut, Nylon Insert, 1/4-20	2
2	00012235	Uni-Clamp	2
3	00021941	Spacer	2
4	--	--	--
5	00021407	Rubber Stop Pad	2
6	01000068	Fuel Tank	1
7	01000069	Fuel Cap, 3.5	1
8	01001023	Fuel Tank Strap	2
9	01000281	Grommet Fuel Tank	1
10	00030784	Shut Off Fuel Tank	1
11	01001036	Label, Mower Warning Turn Off Engine	1
12	01001038	Label, Mower Instruction, Fuel Valve	1
13	--	Hose Fuel, 18"	1
14	01002509	Carriage Bolt, 1/4-20 x 3.00	2

1332G, 1336G / Handle Assembly - Figure 11 & Parts List



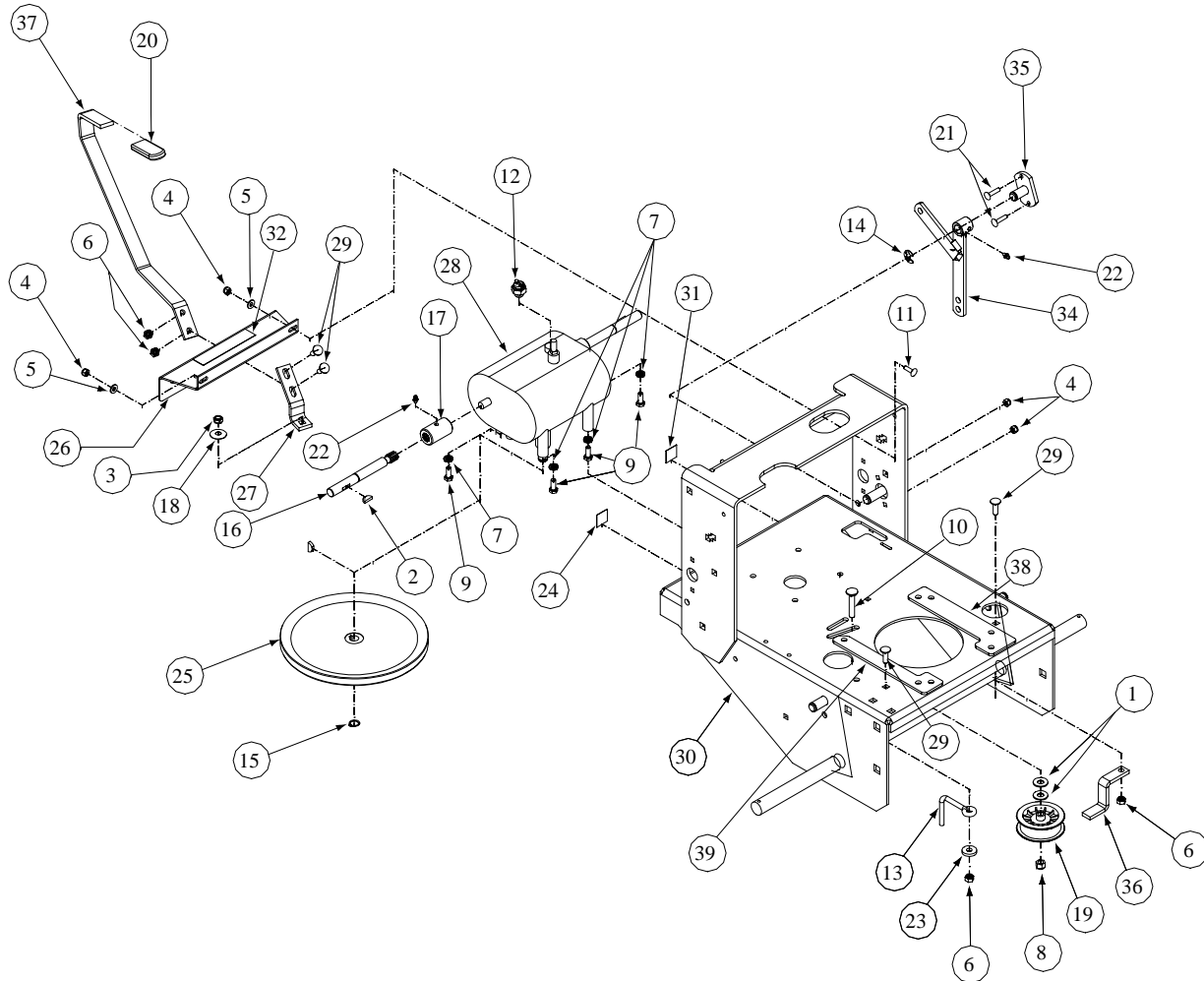
Ref. No.	Part No.	Description	Qty.	Ref. No.	Part No.	Description	Qty.
1	00006131	Hex Nut, 3/8-16	1	22	00030378	Plastic Handle Grip, Black, 4-5/8	2
2	00006168	Flat Washer, 3/8 Zinc	2	23	00071691	Control Rod, Hydro Spacer	2
3	00009678	Clevis Pin, 3/8 x 1-1/8 Zinc	1	24	00071879	Hydro Blade Clutch Rod Base	1
4	00011211	Grip, Neutral Latch, 1.25"	2	25	00076730	Spring Sleeve	1
5	00012158	Flat Washer, 3/8 Zinc	4	26	01000643	Carriage Bolt, 3/8-16 x 2	4
6	00012165	Nylock Nut, 5/16-18	4	27	01001558	Handle Assembly	1
7	00012169	Flat Washer, 5/16 Zinc	4	28	01001699	Operator Presence Control RH	1
8	00012173	Lock Nut, Nylon Insert, 3/8-16	5	29	01001700	Operator Presence Control LH	1
9	00012204	Cotter Pin, 3/32 x 3/4, Zinc	4	30	01001714	Control Sleeve, Black	2
10	00012470	Cable Tie, 3/16 x .05 x 7.4	4	31	01001715	Operator Control Sleeve, Yellow	2
11	00013198	Hex Cap Screw, 5/16-18 x 2	2	32	01001716	Harness Assembly Adapter (not show)	1
12	00014081	Lock Nut, Nylon Insert	2	33	01001717	Switch Mounting Snap	2
13	00014270	Carriage Bolt, 3/8-16 x 2	1	34	01001863	Operator Presence Return Spring	2
14	00021797	Spring, .850 OD x 1	1	35	01001864	Hex Index Washer Screw, 0.500	2
15	00021858	Neutral Latch, Left Hand	1	36	01001919	Shoulder Screw, .38 x .412, 1/4-28	2
16	00021910	Neutral Latch, Right Hand	1	37	01001972	Hex Cap Screw, 5/16-18, 2.00	2
17	00021927	Steering Control Rod	2	38	01003210	Blade Clutch Lever	1
18	00021943	Joint Swivel	2	39	01001561	Lever Assembly Control	2
19	00021955	Yoke, 3/8-16 Female	1	--	--	--	--
20	00021956	Hair Pin 3/8-1/2	5	41	01001724	Label Commercial Mower Instruction	1
21	00022223	Handle Grip, Black, 1"	1				

1336G / Deck Assembly Standard Track - Figure 12 & Parts List



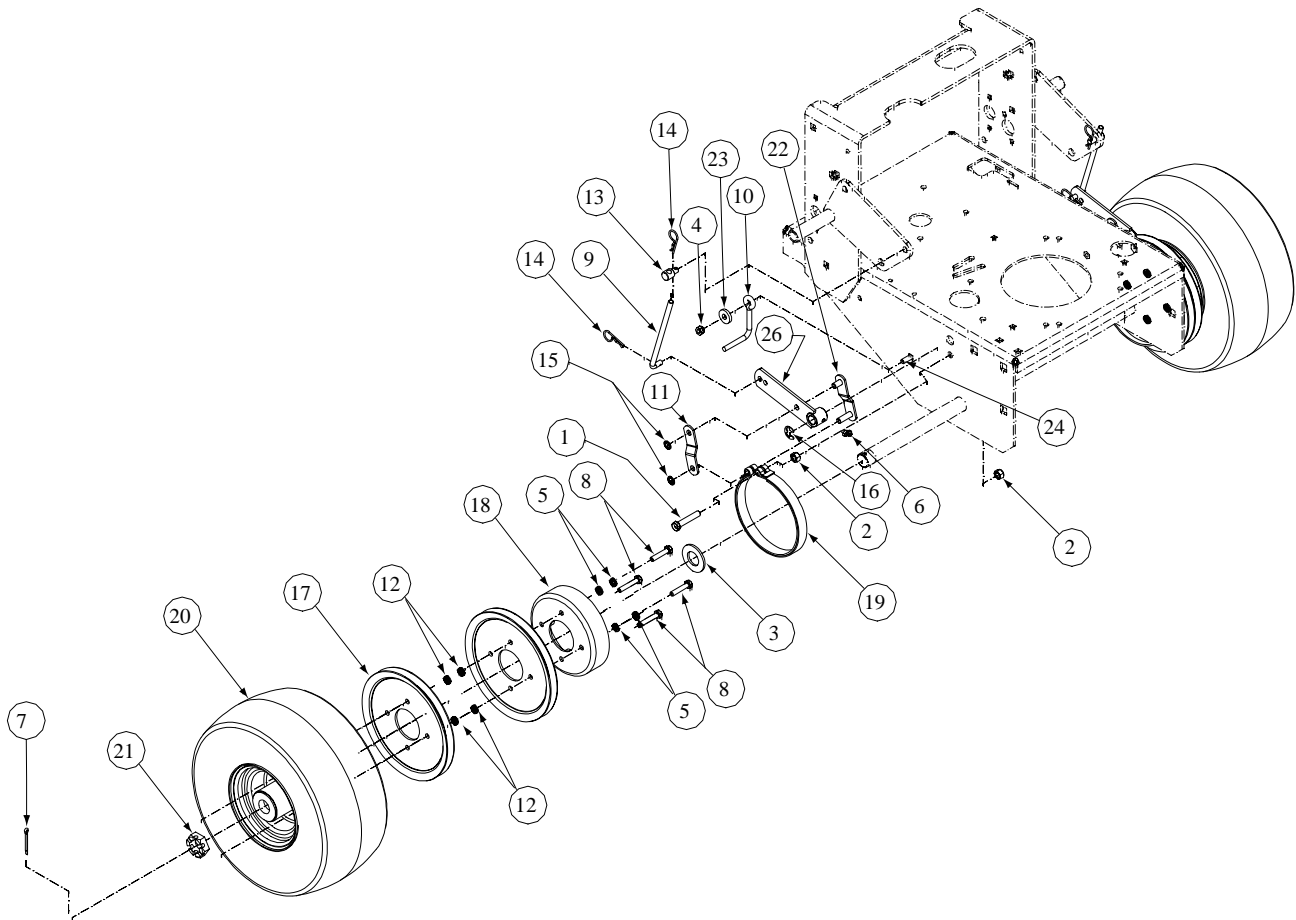
Ref. No.	Part No.	Description	Qty.	Ref. No.	Part No.	Description	Qty.
1	00006168	Flat Washer, 3/8 Zinc	2	21	00031602	Carriage Bolt, 1/4-20 x 1.00	2
2	00008792	Woodruff Key, 3/16 x 3/4	3	22	00060078	Grease Fitting, 1/4-28 x 3/16	3
3	00011454	Jam Nut, Insert Lock, 3/8-24	1	23	00083192	Idler Washer	1
4	00012152	Lock Nut, Nylon Insert, 1/4-20	4	24	00090006	Decal "Made In America"	1
5	00012154	Flat Washer, 1/4 Zinc	2	25	01000073	Transmission Pulley	1
6	00012165	Nut, 5/16-18 Nylock	4	26	01001022	Shift Plate	1
7	00012168	Lock Washer, 5/16 Zinc	4	27	01001014	Shift Arm	1
8	00012173	Lock Nut, Nylon Insert, 3/8-16	1	28	01001020	Engine Deck Assembly	1
9	00013406	Hex Cap Screw, 5/16-18 x 3/4	4	29	01000152	Transmission, 5 Speed PE 700-083	1
10	00014270	Carriage Bolt, 3/8-16 x2	1	30	01000643	Carriage Bolt, 3/8 -16 x 1	4
11	00017584	Carriage Bolt, 1/4-20 x .750	2	31	01001035	Label, Warning, Open Belt Drive	1
12	00018329	Switch, WB Transmission	1	32	01001037	Label, Mower Instruction	1
13	00021931	Drive Belt Guide	1	33	--	--	--
14	00021962	E-Ring, 5/8	1	34	00021902	Clutch, Bellecrank Weldment	1
15	00021964	External Retainer Ring	1	35	00021906	Bellecrank Pivot, Weldment	1
16	00030352	Jackshaft w/ Heavy Spline	2	36	00076402	Engine Belt Guide	1
17	00030353	Coupling w/Heavy Spline	2	37	01004055	Shift Handle	1
18	00030355	Bell Washer, .39 ID x 1.13 OD x .062	1	38	01004394	Engine Spacer, RH	1
19	00030782	Flat Idler Pulley w/Adapter	1	39	01004397	Engine Spacer, LH	1
20	00030884	Grip, .250 x 1 x 3-1/2, Yellow	1				

1332G / Deck Assembly Narrow Track - Figure 13 & Parts List



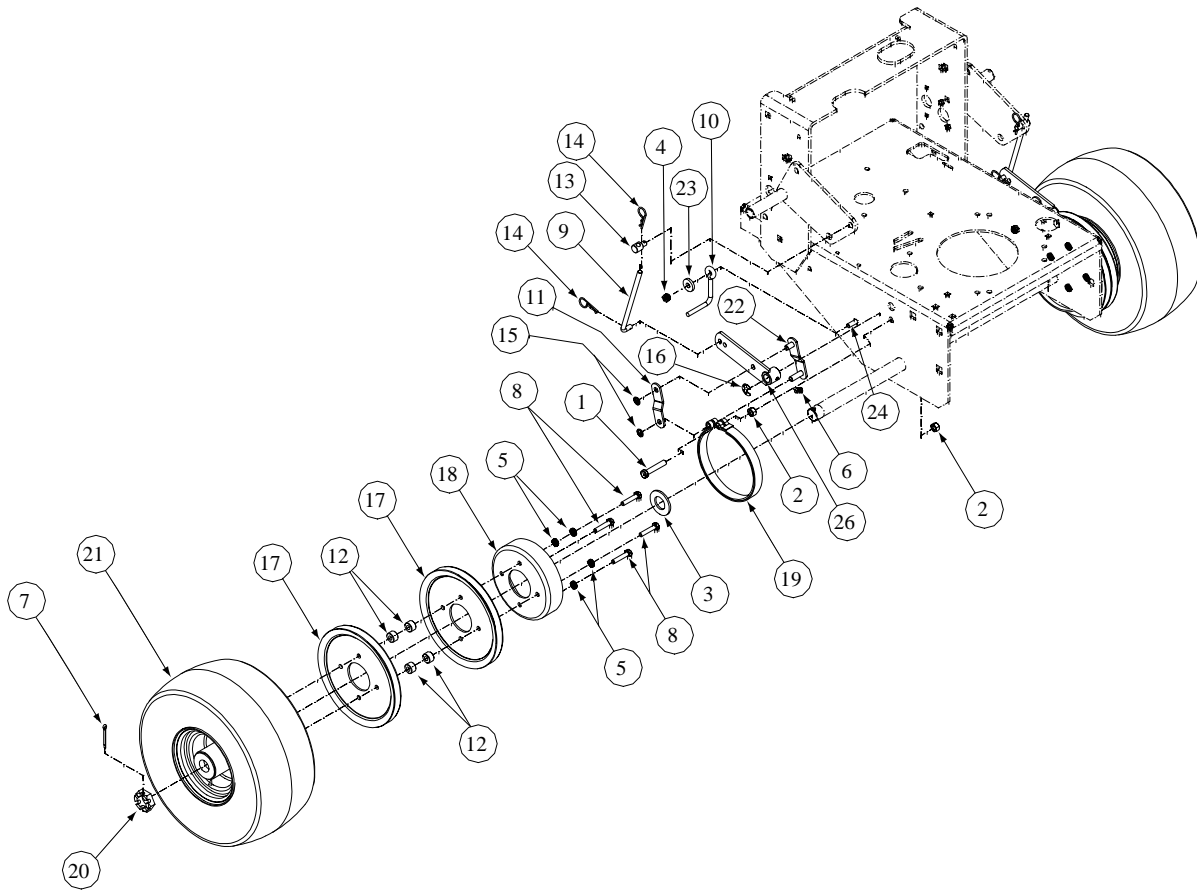
Ref. No.	Part No.	Description	Qty.	Ref. No.	Part No.	Description	Qty.
1	00006168	Flat Washer, 3/8 Zinc	2	21	00031602	Carriage Bolt, 1/4-20 x 1.00	2
2	00008792	Woodruff Key, 3/16 x 3/4	3	22	00060078	Grease Fitting, 1/4-28 x 3/16	3
3	00011454	Jam Nut, Insert Lock, 3/8-24	1	23	00083192	Idler Washer	1
4	00012152	Lock Nut, Nylon Insert, 1/4-20	4	24	00090006	Decal "Made In America"	1
5	00012154	Flat Washer, 1/4 Zinc	2	25	01000073	Transmission Pulley	1
6	00012165	Nut, 5/16-18 Nylock	4	26	01001022	Shift Plate	1
7	00012168	Lock Washer, 5/16 Zinc	4	27	01001014	Shift Arm	1
8	00012173	Lock Nut, Nylon Insert, 3/8-16	1	28	01000152	Transmission, 5 Speed PE 700-083	1
9	00013406	Hex Cap Screw, 5/16-18 x 3/4	4	29	01000643	Carriage Bolt, 3/8-16 x 1	4
10	00014270	Carriage Bolt, 3/8-16 x2	1	30	01001026	Engine Deck Assembly	1
11	00017584	Carriage Bolt, 1/4-20 x .750	2	31	01001035	Label, Warning, Open Belt Drive	1
12	00018329	Switch, WB Transmission	1	32	01001037	Label, Mower Instruction	1
13	00021931	Drive Belt Guide	1	33	--	--	--
14	00021962	E-Ring, 5/8	1	34	00021902	Clutch, Bellecrank Weldment	1
15	00021964	External Retainer Ring	1	35	00021906	Bellecrank Pivot, Weldment	1
16	00030352	Jackshaft w/ Heavy Spline	2	36	00076402	Engine Belt Guide	1
17	00030353	Coupling w/Heavy Spline	2	37	01004055	Shift Handle	1
18	00030355	Bell Washer, .39 ID x 1.13 OD x .062	1	38	01004394	Engine Spacer, RH	1
19	00030782	Flat Idler Pulley w/Adapter	1	39	01004397	Engine Spacer, LH	1
20	00030884	Grip, .250 x 1 x 3-1/2, Yellow	1				

1336G / Brake Assembly Standard Track - Figure 14 & Parts List



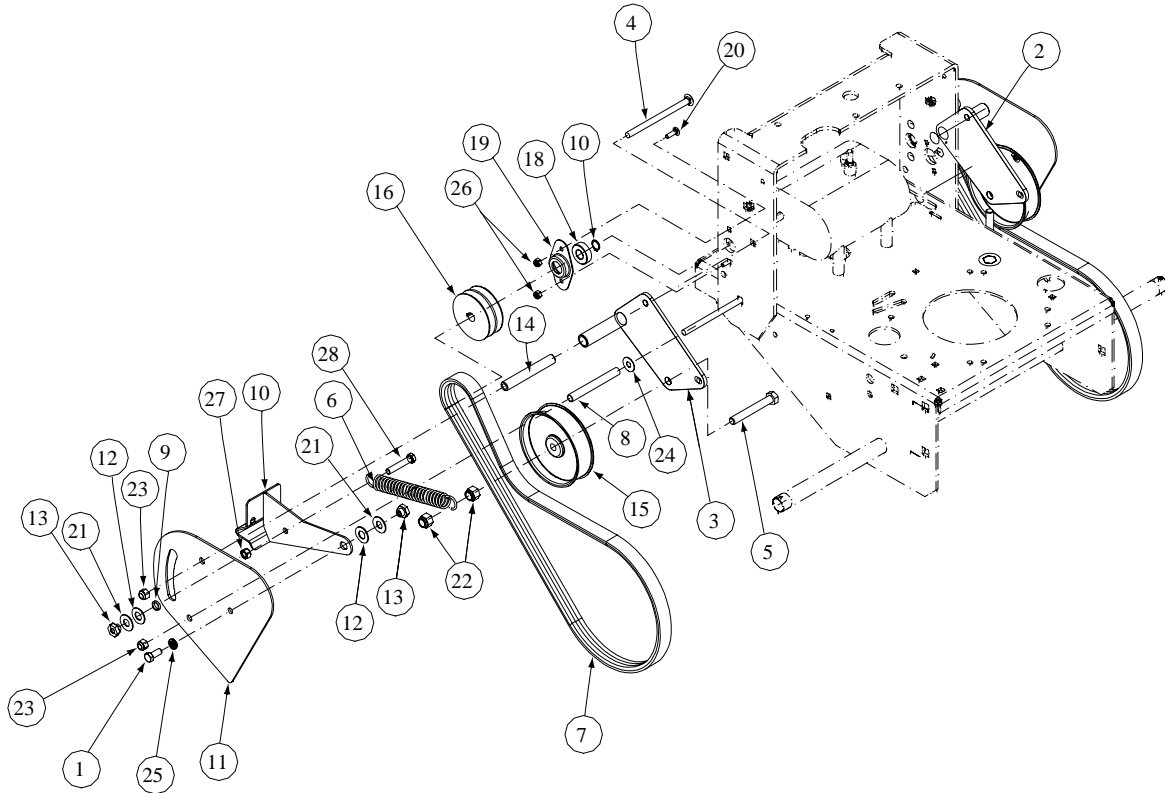
Ref. No.	Part No.	Description	Qty.	Ref. No.	Part No.	Description	Qty.
1	00002528	Hex Cap Screw, 3/8-16, 2.00	2	15	00021960	Retainer, Push ON, 3/8	4
2	00006131	Hex Nut, 3/8-16	4	16	00021962	E-Ring, 5/8	2
3	00010869	Flat Washer, 2.000 x 1.005 x .120	2	17	00021979	Drive Pulley, V	4
4	00012165	Nut, Nylock, 5/16-18	2	18	00021980	Drum Brake	2
5	00012168	Lock Washer, 5/16 Zinc	8	19	00021981	Band Brake	2
6	00012226	Grease Fitting, 1/4-28, 90°	2	20	00021983	Wheel Assembly, 13 x 6.50-6	2
7	00012380	Cotter Pin, 5/32 x 1-1/2 Zinc	2	21	00021984	Hex Jam Nut, 1-14	2
8	00012382	Hex Cap Screw, 5/16-18 x 1-1/2	8	22	00021933	Brake Link	2
9	00021930	Brake Rod	2	23	00083192	Idler Washer	2
10	01005114	Drive Belt Guide	2	24	01000641	Carriage Bolt, 5/16-18 x 1	2
11	00067444	Brake, Bracket Link	2	25	--	--	--
12	00021941	Drive Wheel Pulley Spacer	8	26	00021900	Brake Lever Weldment	2
13	00021943	Swivel Joint	2				
14	00021956	Hair Pin, 3/8-1/2	4				

1332G / Brake Assembly Narrow Track - Figure 15 & Parts List



Ref. No.	Part No.	Description	Qty.	Ref. No.	Part No.	Description	Qty.
1	00002528	Hex Cap Screw, 3/8-16, 2.00	2	15	00021960	Retainer, Push ON, 3/8	4
2	00006131	Hex Nut, 3/8-16	4	16	00021962	E-Ring, 5/8	2
3	00010869	Flat Washer, 2.000 x 1.005 x .120	2	17	00021979	Drive Pulley, V	4
4	00012165	Nut, Nylock, 5/16-18	2	18	00021980	Drum Brake	2
5	00012168	Lock Washer, 5/16 Zinc	8	19	00021981	Band Brake	2
6	00012226	Grease Fitting, 1/4-28, 90°	2	20	00021984	Wheel Assembly, 13 x 5.00-6	2
7	00012380	Cotter Pin, 5/32 x 1-1/2 Zinc	2	21	00021983	Hex Jam Nut, 1-14	2
8	00012382	Hex Cap Screw, 5/16-18 x 1-1/2	8	22	00021933	Brake Link	2
9	00021930	Brake Rod	2	23	00083192	Idler Washer	2
10	00021931	Drive Belt Guide	2	24	01000641	Carriage Bolt, 5/16-18 x 1	2
11	00067444	Brake, Bracket Link	2	25	--	--	--
12	00021941	Drive Wheel Pulley Spacer	8	26	00021900	Brake Lever Weldment	2
13	00021943	Swivel Joint	2				
14	00021956	Hair Pin, 3/8-1/2	4				

1332G, 1336G / Vari-Touch Drive Assembly - Figure 16 & Parts List



Ref. No.	Part No.	Description	Qty.	Ref. No.	Part No.	Description	Qty.
1	01002554	Hex Cap Screw, 3/8-16, .875	1	15	00021976	Flat Idler Drive	1
2	01001012	Left Idler Bracket	1	16	00021969	Jackshaft Pulley	1
3	01001010	Right Idler Bracket	1	17	00021964	External Retain Ring	1
4	01000642	Carriage Bolt, 3/8-16 x 5.50	1	18	00021870	Bearing	1
5	01000226	Hex Cap Screw, 1/2-13, 3.50	1	19	00021869	Bearing Housing	1
6	01000199	Extension Spring	1	20	00017584	Carriage Bolt, 1/4-20 x .750	1
7	01000151	Belt, V	1	21	00012577	Washer, 1/2 x 1	1
8	01000130	Spacer Tube	1	22	00012428	Lock Nut, Nylon Insert, 1/2-13	1
9	01000117	Roller Tube	1	23	00012173	Lock Nut, Nylon Insert, 3/8-16	1
10	01001018	Spring Adjust	1	24	00012158	Flat Washer, 3/8 Zinc	1
11	01001016	Belt Guard	1	25	00012157	Lock Washer, 3/8 Zinc	1
12	01000101	Slide Washer	1	26	00012152	Lock Nut, Nylon Insert, 1/4-20	1
13	01000100	Shoulder Nut	1	27	00006131	Hex Nut, 3/8-16	1
14	00036665	Idler Sleeve	1	28	00002528	Hex Cap Screw, 3/8-16, 2.00	1

MTD PRO

MTD Pro
P.O. Box 361131
Cleveland, OH 44136-0019