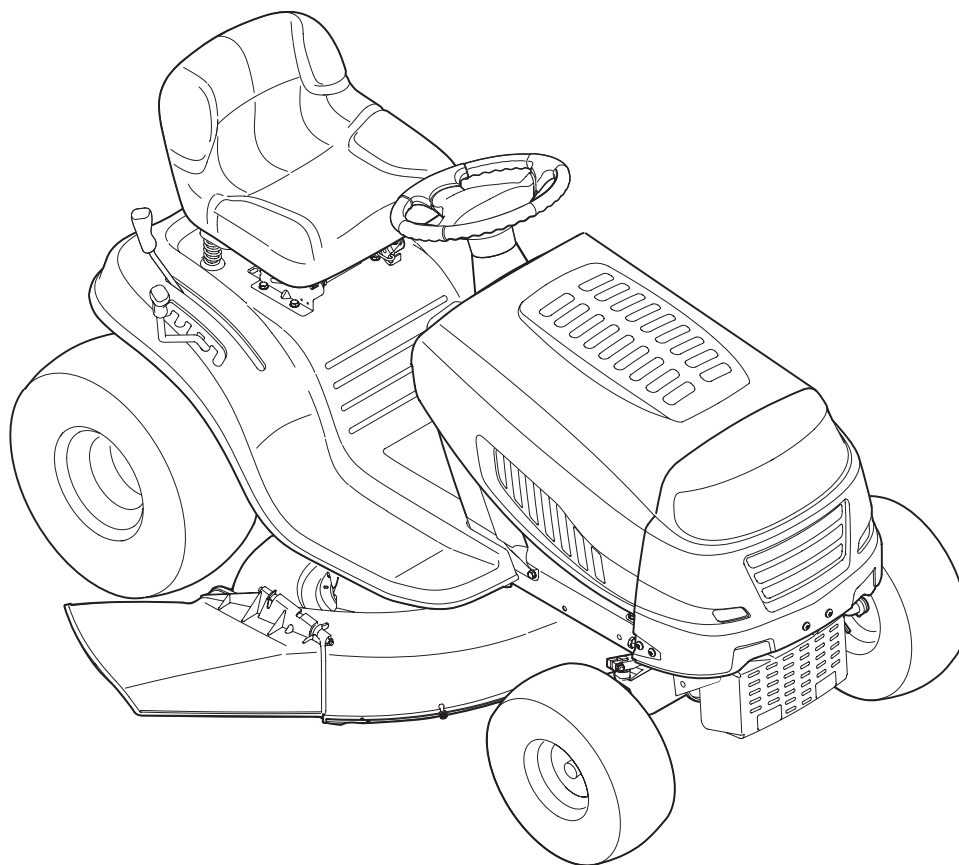


---

# ILLUSTRATED PARTS MANUAL



## Hydrostatic Lawn Tractor — Model Series 790

---

MTD LLC, P.O. BOX 361131 CLEVELAND, OHIO 44136-0019

---

# To The Owner

Thank you for purchasing an MTD Lawn Tractor. It was carefully engineered to provide excellent performance when properly operated and maintained.

All information in this manual is relative to the most recent product information available at the time of printing. Please be aware that this Illustrated Part's Manual may cover a range of product specifications for various models.

Components listed and/or illustrated in this manual may not be applicable to all models. We reserve the right to change product specifications, designs and equipment without notice and without incurring obligation.

Throughout this manual, all references to *right* (RH) and *left* (LH) are observed from the operating position.

## Table of Contents

|                                       |           |   |           |
|---------------------------------------|-----------|---|-----------|
| <b>5 Style Hood</b> .....             | <b>4</b>  | <b>42" Deck</b> .....                                 | <b>16</b> |
| <b>K Style (Troy-Bilt) Hood</b> ..... | <b>6</b>  | <b>46" Deck</b> .....                                 | <b>18</b> |
| <b>Seat and Fender</b> .....          | <b>8</b>  | <b>Briggs &amp; Stratton Engine Accessories</b> ..... | <b>20</b> |
| <b>Front End Steering</b> .....       | <b>10</b> | <b>Kohler Courage Engine Accessories</b> .....        | <b>21</b> |
| <b>Transmission</b> .....             | <b>12</b> | <b>Wiring Harness Schematic 725-04567F</b> .....      | <b>22</b> |
| <b>Frame and PTO Lift</b> .....       | <b>14</b> | <b>Wiring Harness Schematic 725-04432F</b> .....      | <b>23</b> |

## Record Product Information

To ease in ordering replacement parts, please locate the model plate on the equipment and record the information in the provided area to the right. You can locate the model plate by looking beneath the seat.

### MODEL NUMBER

|  |  |  |  |  |  |  |  |  |  |  |  |
|--|--|--|--|--|--|--|--|--|--|--|--|
|  |  |  |  |  |  |  |  |  |  |  |  |
|--|--|--|--|--|--|--|--|--|--|--|--|

### SERIAL NUMBER

|  |  |  |  |  |  |  |  |  |  |  |  |
|--|--|--|--|--|--|--|--|--|--|--|--|
|  |  |  |  |  |  |  |  |  |  |  |  |
|--|--|--|--|--|--|--|--|--|--|--|--|

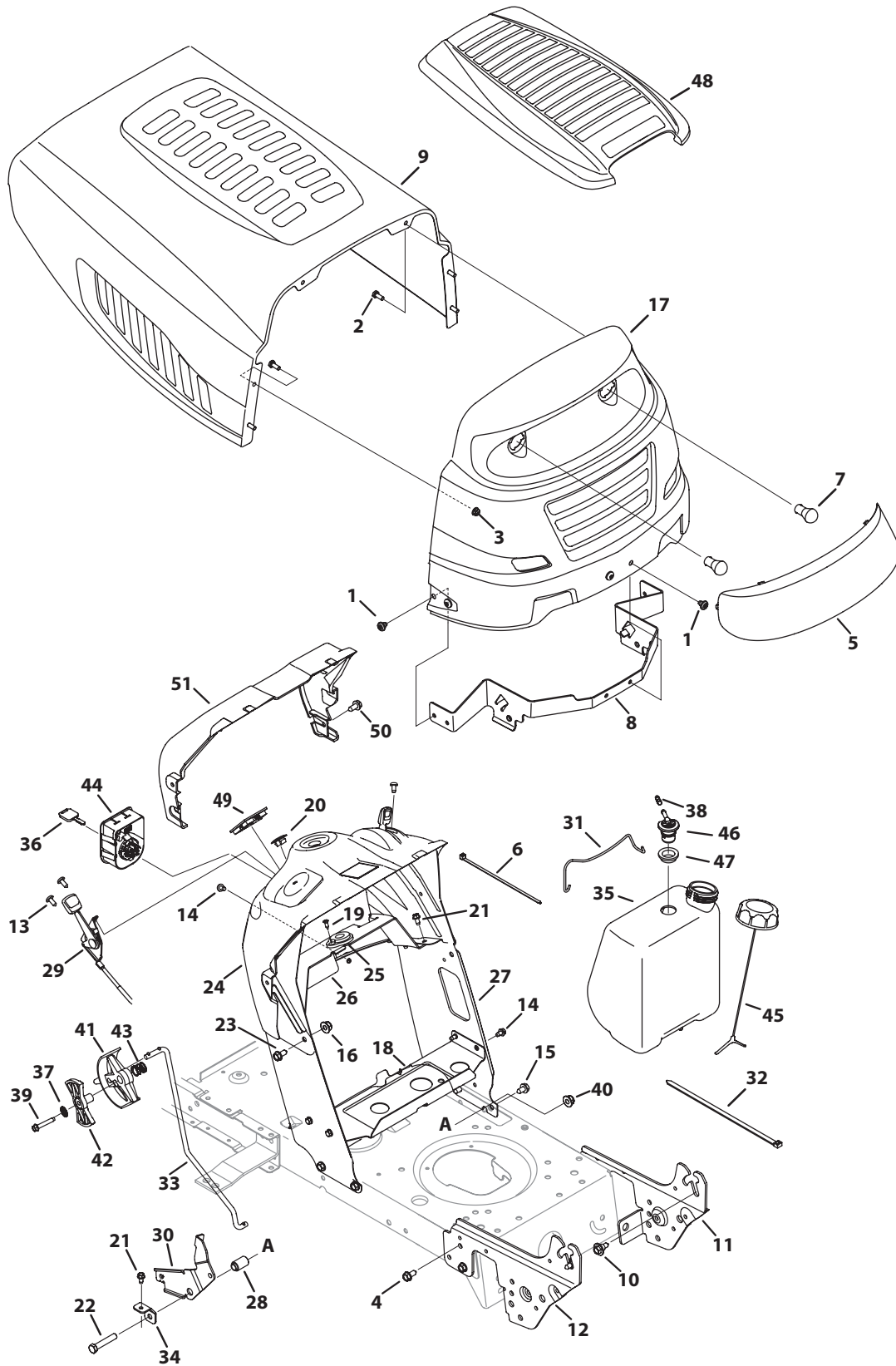
## Painted Parts

When ordering painted service parts, a four digit color suffix must be added to the part number (e.g. 783-XXXX-0637). Please refer to the table below for current color codes:

|      |   |       |                              |
|------|---|-------|------------------------------|
| 0637 | Black                                       | 0674  | Yellow (Yard-Man)            |
| 0709 | Dark Green (Bolens, Yard-Man)               | 0650  | Metallic Red (White Outdoor) |
| 0662 | Oyster Gray (MTD Gold)                      | 0629  | Silver Flake (MTD Platinum)  |
| 0638 | Red (Yard Machines, Huskee, Troy-Bilt, MTD) | 04038 | Day Orange (Daedong)         |
| 0691 | Black Jack (MTD Gold, MasterCut)            | 04033 | Flint Mica (Troy-Bilt XP)    |

**This page left intentionally blank.**

# 5 Style Hood



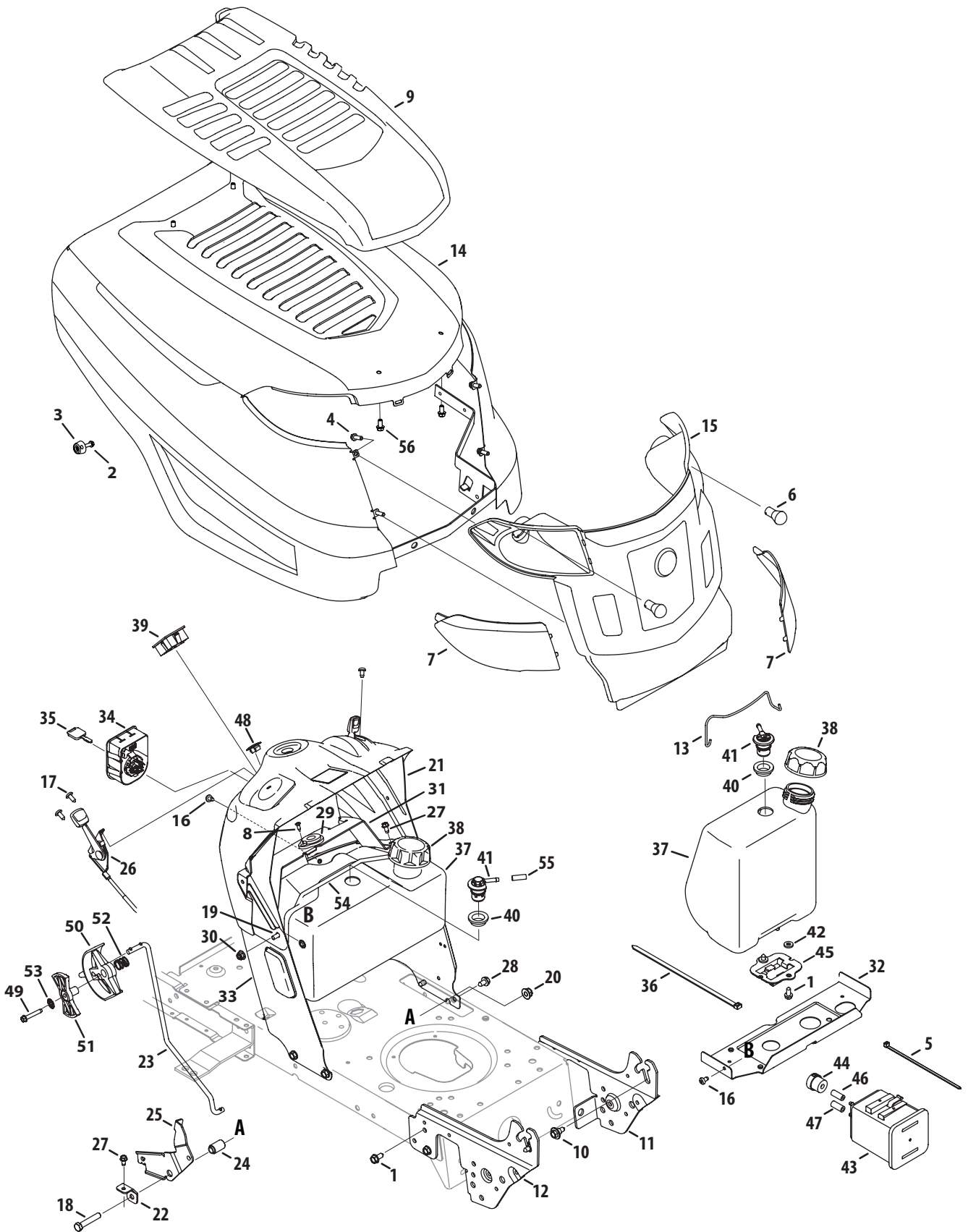
## 5 Style Hood

| Ref. No. | Part No.   | Description                         | Ref. No. | Part No.     | Description                        |
|----------|------------|-------------------------------------|----------|--------------|------------------------------------|
| 1        | 710-04593  | Screw, 5/16-18 x .375               | 27       | 783-06811    | Dash, Lower                        |
| 2        | 710-0751   | Hex Screw, 1/4-20 x .620            | 28       | 750-04465B   | Flange Spacer, .390 x .671 x 1.095 |
| 3        | 712-04064  | Flangelock Nut, 1/4-20              | 29       | 746-04367    | Throttle/Choke Cable               |
| 4        | 710-04484  | Screw, 5/16-18 x .750               | 30       | 683-04766    | Transmission Speed Latch, RMC      |
| 5        | 731-04949A | Grill Lens                          | 31       | 683-04448    | Battery Assembly Rod               |
| 6        | 725-0157   | Cable Tie                           | 32       | 726-0230     | Cable Tie                          |
| 7        | 925-0963   | Lamp                                | 33       | 747-05398    | Speed Control Rod                  |
| 8        | 783-05454  | Hood Pivot Bracket                  | 34       | 783-06823    | Speed Latch Tab                    |
| 9        | 783-05683  | Hood                                | 35       | 951-04304    | 1.36 Gallon Fuel Tank              |
| 10       | 738-04091A | Shoulder Screw, 5/16-18 x .43 x .29 | 36       | 925-1745A    | Key                                |
| 11       | 783-05327B | Left Support Pivot Bracket          | 37       | 736-3006     | Lock Washer, 1/4                   |
| 12       | 783-05328A | Right Support Pivot Bracket         | 38       | 751-12089-28 | Hose Vent, 3/16 EPA                |
| 13       | 710-04483  | Screw, 1/4-20 x .500                | 39       | 710-0778     | Hex Washer Screw, 1/4-20 x 1.50    |
| 14       | 710-05070  | Screw, 1/4-20 x .500                | 40       | 712-04065    | Flangelock Nut, 3/8-16             |
| 15       | 710-0604A  | Screw, 5/16-18 x .625               | 41       | 731-07885B   | Shift Lever                        |
| 16       | 712-04063  | Flangelock Nut, 5/16-18             | 42       | 731-07966    | Index Control                      |
| 17       | 783-05685  | Grill                               | 43       | 732-04877    | Compr. Spring, .72 OD x .78        |
| 18       | 783-07083  | Gas Tank Support Bracket            | 44       | 925-04227B   | Key Switch Module                  |
| 19       | 910-0224   | Screw, #10-16 x .500                |          | 925-04659    | Key Switch 3 Position              |
| 20       | 731-05265  | Choke Plug                          | 45       | 951-12179A   | Fuel Cap, 2.25"                    |
| 21       | 710-1652   | Tap Screw, 1/4-20, 0.625            | 46       | 751-12118    | Rollover Valve                     |
| 22       | 710-3144   | Hex Screw, 3/8-16 x 2.0             | 47       | 735-04081    | Rubber Grommet, 23 x 3.55          |
| 23       | 710-3025   | Hex Screw, 5/16-18 x .625           | 48       | 731-05522At  | Hood cover                         |
| 24       | 931-07770  | Dash, Upper                         | 49       | 731-05232    | Ammeter Plug                       |
|          | 931-08426  | Dadh, Upper RMC                     | 50       | 710-0895     | Screw, 1/4-15 x .750               |
| 25       | 741-0587   | Bearing, .628 ID x 1.36             | 51       | 731-05078C†  | Dash Collar                        |
| 26       | 783-06785A | Bracket, Steering Support           | —        | 725-04432G   | Harness, LT-5, RMC, Dual           |

†If Equipped

**NOTE:** Tractor features vary by model. NOT all parts listed above and pictured on the previous page are standard equipment.

# K Style (Troy-Bilt) Hood



## K Style (Troy-Bilt) Hood

| Ref. No. | Part No.   | Description                      | Ref. No. | Part No.     | Description                      |
|----------|------------|----------------------------------|----------|--------------|----------------------------------|
| 1        | 710-04484  | Screw 5/16-18 x .750             | 31       | 783-06785A   | Bracket, Steering Support        |
| 2        | 710-05281  | Screw, #12-16 x 1.25             | 32       | 783-07083†   | Gas Tank Support Bracket         |
| 3        | 731-06404  | K-Style Bumper                   | 33       | 783-06811    | Dash, Lower NWNDW                |
| 4        | 710-05108  | Screw, 1/4 x .750                |          | 783-06656    | Dash, Lower                      |
| 5        | 725-0157   | Cable Tie                        | 34       | 925-04227B   | Key Switch Module                |
| 6        | 925-0963   | Miniature lamp 12V socket        | 35       | 925-1745A    | Key                              |
| 7        | 731-06095  | Grill Lens - LH                  | 36       | 726-0230†    | Cable Tie                        |
|          | 731-06096  | Grill Lens - RH                  | 37       | 951-04295    | Fuel Tank, 2 Gallons, EPA        |
| 8        | 910-0224   | Screw, #10-16 x .500             |          | 951-04304    | Fuel Tank, 1.36 Gallon, CARB     |
| 9        | 731-06194B | Hood Scoop                       | 38       | 951-12179A   | Fuel Cap                         |
| 10       | 738-04091A | Shoulder Screw .43 x .29         |          | 951-12426    | Fuel Cap, CARB                   |
| 11       | 783-05327B | Support Bracket LH               | 39       | 925-04156    | Ammeter Monitor Indicator        |
| 12       | 783-05328A | Support Bracket RH               | 40       | 735-04081    | Rubber Grommet                   |
| 13       | 683-04448  | Battery Rod                      | 41       | 751-12118    | Rollover Valve                   |
| 14       | 683-04774  | Hood                             | 42       | 936-3008††   | Washer, Flat, .344 x .750 x .120 |
| 15       | 631-04272  | Grill                            | 43       | 951-10589††  | Canister, Carbon, 5 Gallon       |
| 16       | 710-05070  | Screw, 1/4-20 x .500             | 44       | 951-10590††  | Filter, Vent, Canister           |
| 17       | 710-04483  | Screw 1/4-20 x .500              | 45       | 951-10610††  | Bracket., Adapter, Canister      |
| 18       | 710-3144   | Hex Screw 3/8-16 x 2.00          | 46       | 751-10749††  | Hose, Fuel, Low Perm., White     |
| 19       | 710-3025   | Hex Screw, 5/16-18 x .625        | 47       | 751-10750††  | Hose, Fuel, Low Perm., Yellow    |
| 20       | 712-04065  | Flange Lock Nut 3/8-16           | 48       | 731-05265    | Choke Plug                       |
| 21       | 931-07770  | Dash, Upper                      | 49       | 710-0778     | Hex Washer Screw, 1/4-20 x 1.50  |
| 22       | 783-06823  | Speed Latch Tab                  | 50       | 731-07885B   | Shift Lever                      |
| 23       | 747-05398  | Speed Control Rod                | 51       | 731-07966    | Index Control                    |
| 24       | 750-04465C | Flange Spacer .39 x .671 x 1.095 | 52       | 732-04877    | Compr. Spring, .685 OD x .63     |
| 25       | 683-04766  | Transmission Speed Latch         | 53       | 736-3006     | Lock Washer, 1/4                 |
| 26       | 746-04367  | Throttle/Choke Control Cable     | 54       | 747-05373    | Fuel Tank Clamp Rod              |
|          | 746-04406  | Throttle/Choke Cable w/ Knob     | 55       | 751-12089-28 | Hose Vent, 3/16 EPA              |
| 27       | 710-1652   | Tap Screw, 1/4-20, 0.625         | 56       | 710-04187    | Screw, 1/4-15 x 0.50             |
| 28       | 710-0604A  | Screw 5/16-18 x .625             | —        | 725-04432G   | Harness, LT-5, RMC, Dual         |
| 29       | 741-0587   | Bearing, .628 ID x 1.36          | —        | 725-04469    | Harness, Jmpr., Amtr.            |
| 30       | 712-04063  | Flange lock Nut 5/16-18          |          |              |                                  |

† If Equipped

†† Equipped with CARB Fuel Tank

**NOTE:** Tractor features vary by model. NOT all parts listed above and pictured on the previous page are standard equipment.



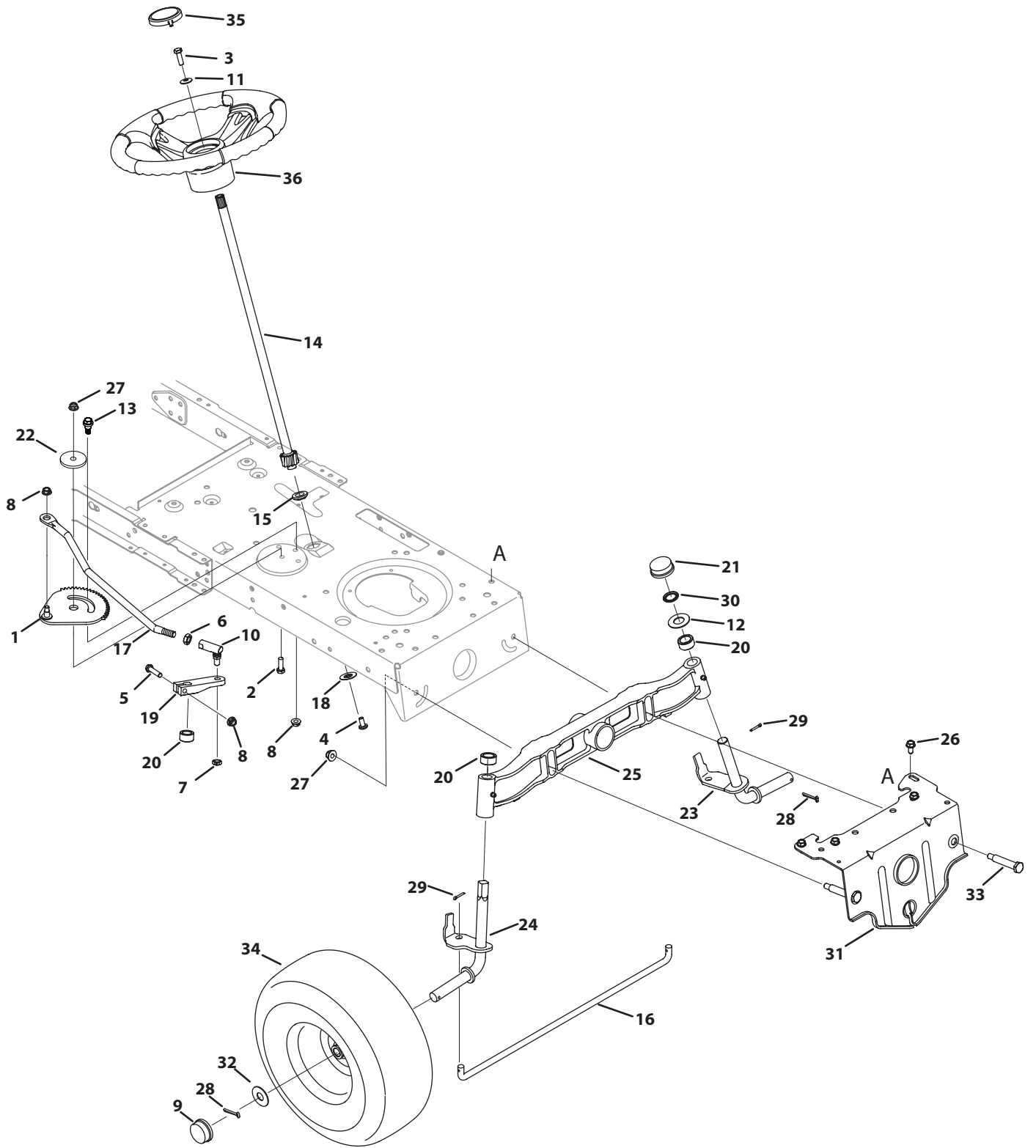


| Ref. No. | Part No.    | Description                           |
|----------|-------------|---------------------------------------|
| 1        | 710-05070   | Screw, 1/4-20 x .500                  |
| 2        | 710-04484   | Screw, 5/16-18 x .750                 |
| 3        | 710-0599    | Screw Pan Torx Head, 1/4-20 x .500    |
| 4        | 731-04591A  | Cup Holder                            |
| 5        | 736-0607    | Loack Washer, 5/16                    |
| 6        | 783-04593E  | Fender                                |
| 7        | 783-04843   | Lift Adjuster Bracket                 |
| 8        | 783-1489D   | Seat Mount Bracket                    |
| 9        | 710-04482   | Hex Flange, 3/8-16 x .875             |
|          | 720-04061†  | Knob                                  |
| 10       | 712-04063   | Flangelock Nut, 5/16-18               |
| 11       | 732-1184    | Extension Spring                      |
| 12       | 936-0108    | Flat Washer, .510x .750 x .033        |
| 13       | 736-0242    | Bell Washer, .340 x .872 x .060       |
| 14       | 938-0296    | Shoulder Screw, 5/16-18 x .437 x .268 |
| 15       | 783-0209D   | Lift Seat Bracket                     |
| 16       | 783-04081D  | Pivot Seat Manual Adjust Bracket      |
| 17       | 726-3046    | Ratchet Clip, .250 x .500             |
| 18       | 735-04047   | Foot Pad, LH                          |
|          | 723-04026   | Foot Pad, Abrasive, LH                |
| 19       | 735-04048   | Foot Pad, RH                          |
|          | 723-04025   | Foot Pad, Abrasive, RH                |
| 20       | 710-0227    | Screw, 8-18 x .500                    |
| 21       | 726-0279    | Insulator Plate                       |
| 22       | 925-1303    | Outer Seat Spring                     |
| 23       | 725-1439    | Inner Seat Spring                     |
| 24       | 726-0278    | Insulator Boss Plate                  |
| 25       | 757-04083   | Medium Back Seat                      |
|          | 757-04088   | High Back Seat                        |
| 26       | 736-0148†   | Lock Washer                           |
| 27       | 738-04012A† | Scr., Shldr., .625 x .145 x 3/8-16    |

† If Equipped

**NOTE:** Tractor features vary by model. NOT all parts listed above and pictured on the previous page are standard equipment.

# Front End Steering

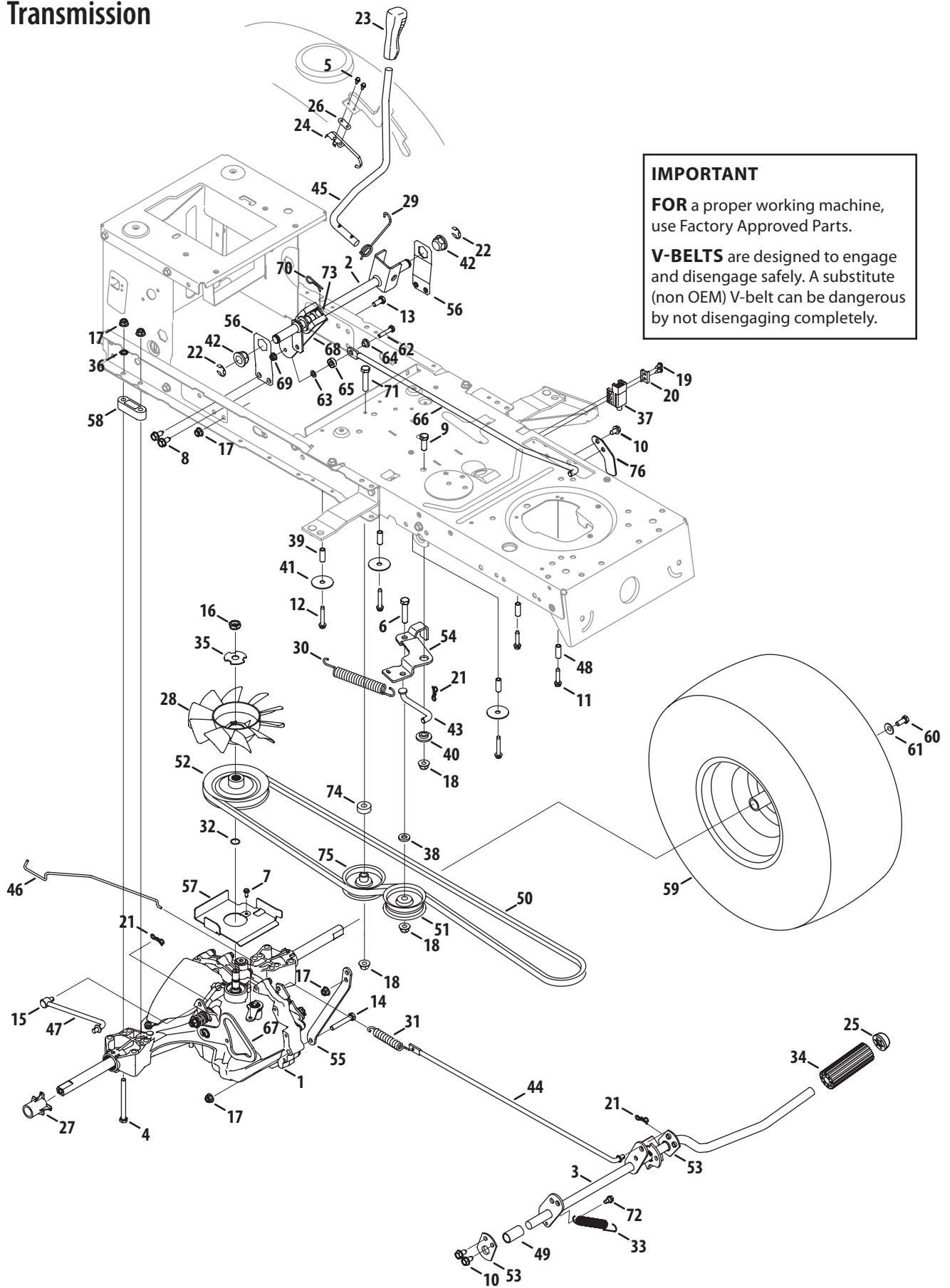


## Front End Steering

| Ref. No. | Part No.   | Description                           | Ref. No. | Part No.       | Description                           |
|----------|------------|---------------------------------------|----------|----------------|---------------------------------------|
| 1        | 617-04094  | Front Steering Gear Assembly          | 22       | 738-04162A     | Shoulder Spacer, .884 x .190          |
| 2        | 710-0514   | Hex Screw, 3/8-16 x 1.00              | 23       | 938-04007A     | Axle Assmbly LH (38" & 42" Deck)      |
| 3        | 710-0643   | Screw, 5/16-18, 1.00, Gr5, Lock       |          | 938-04014A     | Axle Assembly, LH (46" Deck)          |
| 4        | 710-1309   | Screw, Mach, 5/16-18, 0.750           | 24       | 638-04008P     | Axle Assmbly RH (38" & 42" Deck)      |
| 5        | 710-3180   | Screw, 5/16-18, 1.75, Gr5             |          | 938-04013      | Axle Assembly, RH (46" Deck)          |
| 6        | 912-0240   | Nut, Jam, 7/16-20, Gr2                | 25       | 919-04177A     | Pivot Bar, Cast                       |
| 7        | 912-0214   | Nut, Hex Lock, 3/8-24                 | 26       | 710-04484      | Screw, 5/16-18, 0.750                 |
| 8        | 712-04063  | Nut, Flange Lock, 5/16-18, Grf        | 27       | 712-04065      | Nut, Flange Lock, 3/8-16, GrF         |
| 9        | 931-0484A  | Hub Cap                               | 28       | 714-04039A     | Pin, Cotter, 5/32, 1.25               |
| 10       | 923-0448A  | Ball Joint, 7/16-20, Lock             | 29       | 914-0474       | Pin, Cotter, 1/8 x 0.75               |
| 11       | 736-0242   | Washer, Bell, .340 x .872 x .060      | 30       | 726-04035      | Push Nut 3/4 Dia.                     |
| 12       | 936-0316   | Washer, Flat, .78 x 1.59 x .60        | 31       | 783-05326B     | Pivot Bar Bracket                     |
| 13       | 738-04141  | Shoulder Screw, .435 x .3485, 5/16-18 | 32       | 736-04228A     | Washer, Flat, .781 x 1.59             |
| 14       | 738-0919A  | Steering Shaft, 5/8 Spline x 21.86    | 33       | 738-04128      | Scr., Shlder, .500 x 2.380, 3/8-16    |
| 15       | 941-04124  | Bearing, Flange, Hex 5/8              | 34       | 634-04086-0911 | Wheel Ass'y, 15 x 6 x 6 - Grey        |
| 16       | 747-04299A | Tie Rod                               |          | 634-04639-0911 | Wheel Ass'y, Sq. Shldr., 15 x 6 x 6.5 |
| 17       | 747-05385  | Steering Link                         | 35       | 731-04040      | Cap, Steering Wheel (Sprig Logo)      |
| 18       | 948-0389   | Cap, 1.25 x .16                       |          | 731-04681      | Cap, Steering Wheel (Troy-Bilt)       |
| 19       | 748-04065  | Steering, Block                       | 36       | 631-04028      | Steering Wheel, Standard Grip         |
| 20       | 748-04068  | Spacer, .710 ID x .125 OD x .56       |          | 631-04560      | Steering Wheel Soft Grip              |
| 21       | 731-04693  | Push Cap, Cast                        |          |                |                                       |

**NOTE:** Tractor features vary by model. NOT all parts listed above and pictured on the previous page are standard equipment.

# Transmission



## IMPORTANT

**FOR** a proper working machine, use Factory Approved Parts.

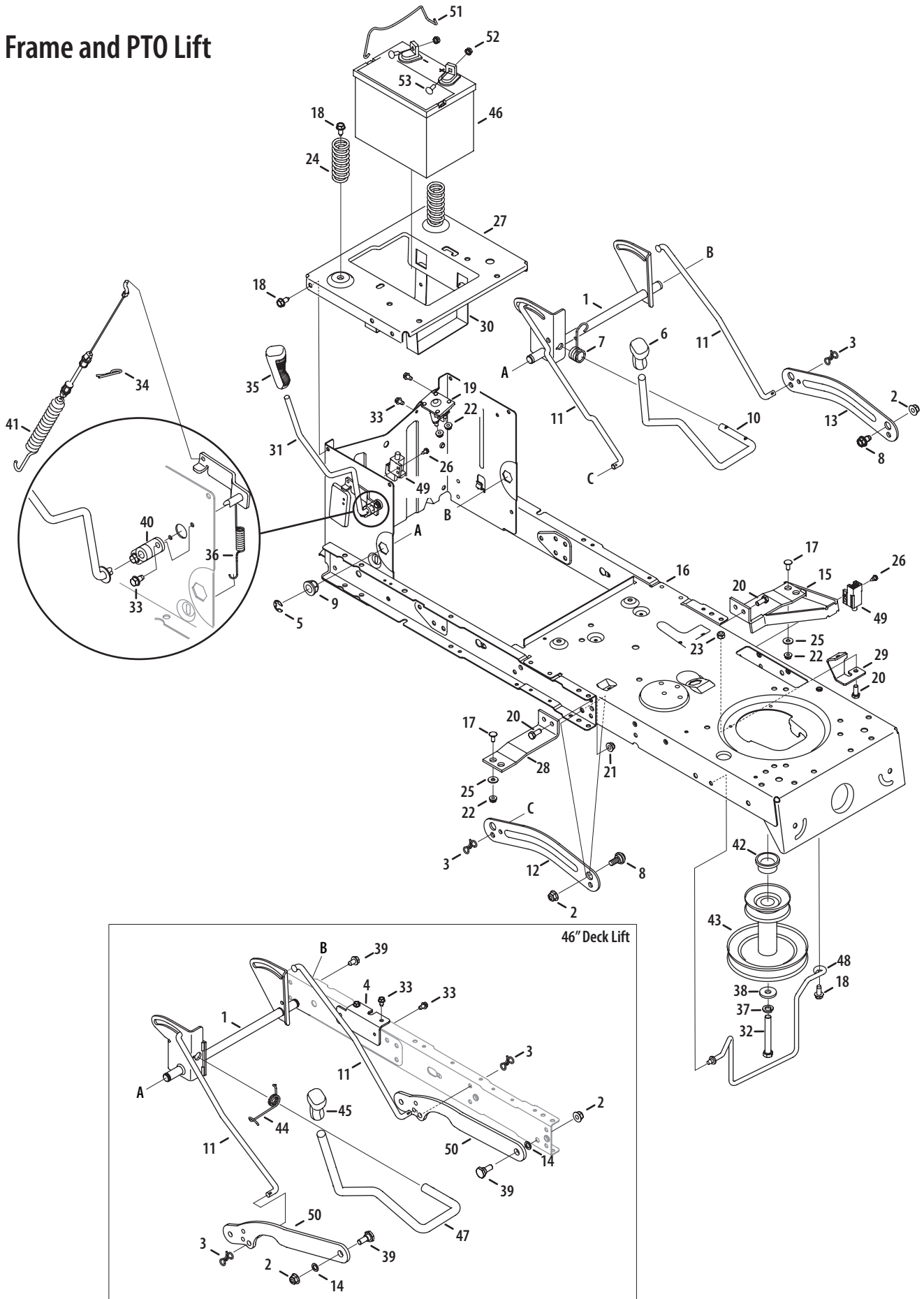
**V-BELTS** are designed to engage and disengage safely. A substitute (non OEM) V-belt can be dangerous by not disengaging completely.

# Transmission

| Ref. No. | Part No.   | Description                         | Ref. No. | Part No.       | Description                          |
|----------|------------|-------------------------------------|----------|----------------|--------------------------------------|
| 1        | 918-04892A | Hydro Transmission                  | 40       | 738-04430      | Shldr Spacer, 1.375 ID X .380 x 1.54 |
|          | 918-04925B | Hydro Transmission, 18" Tires       | 41       | 736-0430       | Flat Washer, .350 x 1.59 x .062      |
| 2        | 647-04200A | Hydro Handle Control Assembly       | 42       | 941-0225       | Hex Flange Bearing                   |
| 3        | 647-04261  | Hydro Pedal Assembly                | 43       | 747-05603      | Declutching Rod                      |
| 4        | 710-1266   | Hex Screw, 5/16-18 x 3.5            | 44       | 747-05242      | Brake Rod                            |
| 5        | 710-0227   | Screw, #8-18:0.500                  | 45       | 747-04296A     | Hydro Control Handle                 |
| 6        | 710-0347   | Hex Screw, 3/8-16:1.75              | 46       | 747-05245      | Hydro Bypass Rod                     |
| 7        | 910-0224   | Screw, #10-16:0.500                 | 47       | 747-04407A     | Hydro Control Rod                    |
| 8        | 710-04484  | Screw, 5/16-18:.750                 | 48       | 750-0566A      | Spacer, .260 x .375 x 1.030 LG       |
| 9        | 710-0514   | Hex Screw, 3/8-16:1.00              | 49       | 750-05593      | Spacer, .640 ID X .76 OD X 1.60      |
| 10       | 710-0604A  | Screw, 5/16-18:0.625                | 50       | 954-04252      | V Belt, 4L SEC X 84.17               |
| 11       | 710-0809   | Screw, 1/4-20:1.250                 | 51       | 756-04224      | Flat Idler Pulley 2.75 OD            |
| 12       | 710-1026   | Screw, 1/4-20 x 1.75                | 52       | 756-04308      | Input Pulley                         |
| 13       | 710-3008   | Hex Screw, 5/16-18:.75              | 53       | 783-04536B     | Support Pedal Bracket                |
| 14       | 710-3103   | Screw, 5/16-18 x 2.00               | 54       | 783-04570B     | Idler Arm                            |
| 15       | 711-04448  | Ferrule, 5/16-24 X .312 DIA.        | 55       | 783-06551      | Torque Bracket                       |
| 16       | 912-0346   | Jamlock Nut, 1/2-20                 | 56       | 783-04585A     | Handle Bracket                       |
| 17       | 712-04063  | Flangelock Nut, 5/16-18             | 57       | 783-06558      | Belt Support Bracket                 |
| 18       | 712-04065  | Flangelock Nut, 3/8-16              | 58       | 948-0334       | Spacer, T-Axle                       |
| 19       | 728-04021  | Rivet                               | 59       | 634-0104-0911  | Wheel, 20 x 8 x 8 - Grey             |
| 20       | 17962      | Plate Switch                        |          | 634-04641-0911 | Wheel, 18 x 9.5 x 8                  |
| 21       | 714-04040  | Cotter Pin, Bow Tie                 | 60       | 710-0627       | Hex Screw, 5/16-24 x .750            |
| 22       | 716-0106A  | E Rign, .625 DIA                    | 61       | 736-0242       | Bell Washer, .340 x .872 x .060      |
| 23       | 720-0311   | Handle Grip                         | 62       | 710-0106       | Hex Screw, 1/4-20 x 1.25             |
| 24       | 725-04249  | Hydro Spring Switch                 | 63       | 936-0142       | Flat Washer, .281 x .500 x .063      |
| 25       | 726-0214   | Push Cap, 5/8                       | 64       | 738-04483      | Shoulder Spacer, .375 x .625 x .20   |
| 26       | 926-0320   | Insulator Plate Nut                 | 65       | 741-04280      | Ball Bearing, .25 x .6875 x .25      |
| 27       | 731-08237  | Sleeve, .765 ID X 2.11 LG           | 66       | 747-05598      | Hydro Rod, RTN                       |
| 28       | 731-06098  | Hydro Fan                           | 67       | 783-06750A     | Cam Bracket, RTN                     |
| 29       | 732-04225  | Torsion Spring                      | 68       | 783-06756      | Pivot Bracket, RTN                   |
| 30       | 732-04229  | Extension Spring, .75 DIA. X 6.02   | 69       | 712-04064      | Nut, Flange Lock, 1/4-20, GrF        |
| 31       | 732-0716D  | Extension Spring, .59 OD X 4.00 LG  | 70       | 914-0145       | Click Pin, .092 x 1.64 LG            |
| 32       | 732-0729   | Wire Ring                           | 71       | 710-3144       | Hex Screw, 3/8-16 x 2.00             |
| 33       | 732-04587  | Extension Spring, .63 DIA X 4.95 LG | 72       | 738-04278      | Shoulder Screw, 1/4-20 x 0.50        |
| 34       | 735-0239   | Foot Pad, 4.0                       | 73       | 741-3065B      | Hex Flange Bearing, .628 ID          |
| 35       | 736-04263  | Lock Washer, TRANS HYDRO            | 74       | 750-3119       | Spacer, .406 ID x 1.00 OD x .38      |
| 36       | 736-0607   | Lock Washer, 5/16 EXT TOOTH         | 75       | 756-04325      | V Pulley 3.06 OD                     |
| 37       | 925-04039  | Switch Interlock                    | 76       | 783-06807      | Stop Pedal Plate                     |
| 38       | 736-3010   | Flat Washer, .407X.812X.135:HT      | —        | 725-04990      | Harness, Jmpr, Hydro                 |
| 39       | 750-04456  | Spacer, .260 x .372 x 1.420         |          |                |                                      |

**NOTE:** Tractor features vary by model. NOT all parts listed above and pictured on the previous page are standard equipment.

# Frame and PTO Lift

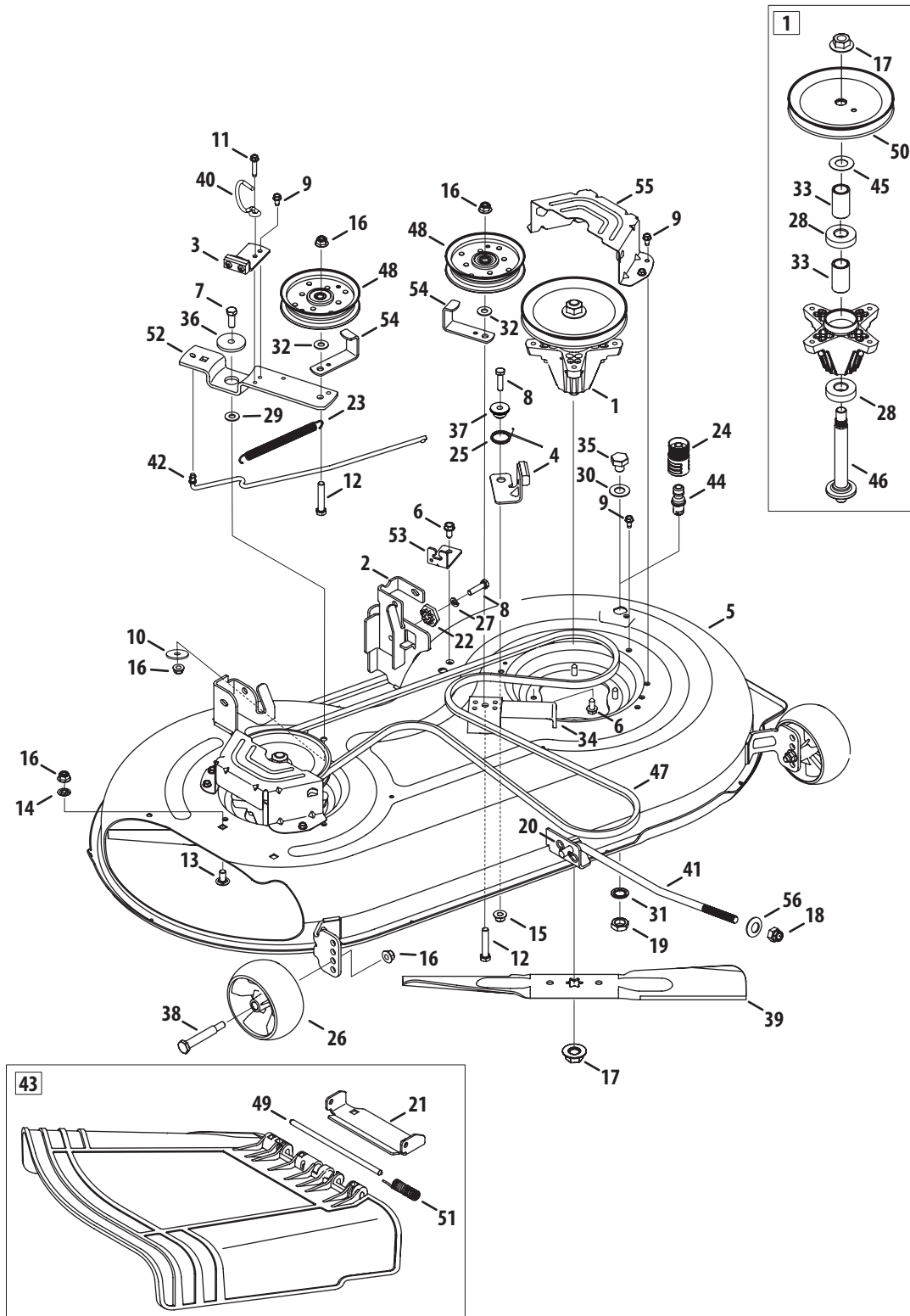


## Frame and PTO Lift

| Ref. No. | Part No.   | Description                          | Ref. No. | Part No.   | Description                            |
|----------|------------|--------------------------------------|----------|------------|--|
| 1        | 683-04155A | Shaft Assembly Lift 42" Deck         | 28       | 783-04637  | Bracket, Runing Board                  |
|          | 683-04334  | Shaft Assembly Lift 46" Deck         | 29       | 783-04753  | Frame Support Bracket                  |
| 2        | 712-04065  | Nut, Flange Lock, 3/8-16, GrF        | 30       | 783-04869A | Bracket, Battery                       |
| 3        | 714-04040  | Pin, Cotter, Bow Tie                 | 31       | 647-04096A | Handle Assembly, PTO                   |
| 4        | 783-05389A | Frame Brace Bracket                  | 32       | 710-04608  | Screw, 7/16-20, 3.25 42" Deck          |
| 5        | 716-0106A  | Ring, E-Type, .625 Dia.              | 33       | 710-0599   | Screw, 1/4-20, 0.500                   |
| 6        | 720-0311   | Grip, Handle, 1/2                    | 34       | 914-0145   | Pin, Click, .092 x 1.64                |
| 7        | 732-04225  | Spring, Torsion 42" Deck             | 35       | 720-04049A | Grip, Handle, 3/8                      |
| 8        | 738-04130  | Screw, Shoulder, .625 x .175, 3/8-16 | 36       | 732-04276A | Spring, Extension                      |
| 9        | 941-0225   | Bearing, Hex Flange                  | 37       | 936-0171   | Washer, Lock, 7/16                     |
| 10       | 747-05296  | Deck Handle, Lift, 42" Deck          | 38       | 736-0322   | Washer, Flat, .450 x 1.250 x .164      |
| 11       | 747-04393  | Rod, Lift                            | 39       | 938-0380   | Bolt, Shldr. .500 x .270 3/8-16        |
| 12       | 783-04494C | Lift Arm, Deck - RH                  | 40       | 741-04119A | Bearing, PTO                           |
| 13       | 783-04711C | Lift Arm, Deck - LH                  | 41       | 946-04173D | Cable, Deck Engagement                 |
| 14       | 936-0140   | Washer, Flat, .385 x .62 x .063      | 42       | 750-0956   | Spacer, 1.010 x 1.400 x .825, 42" Deck |
| 15       | 683-04195  | Support Bracket Assembly             | 43       | 956-04067A | Engine Pulley                          |
| 16       | 683-04649  | Frame Assembly                       | 44       | 732-04438  | Spring, Torsion 46" Deck               |
| 17       | 710-0134   | Carriage Screw, 1/4-20 x .62         | 45       | 720-0298   | Grip, Handle, 5/8                      |
| 18       | 710-04484  | Screw, 5/16-18, .750                 | 46       | 925-1707D  | Battery, 155 CCA                       |
| 19       | 725-04439  | Solenoid                             | 47       | 747-04653  | Deck Handle, Lift, 46" Deck            |
| 20       | 710-3008   | Hex Screw, 5/16-18 x .75             | 48       | 747-04857  | Rod, Belt Keeper (42" Deck)            |
| 21       | 712-04063  | Flange Lock Nut, 5/16-18             |          | 683-04414  | Rod, Belt Keeper (46" Deck)            |
| 22       | 712-04064  | Nut, Flange Lock, 1/4-20, GrF        | 49       | 725-04363  | Switch, Interlock                      |
| 23       | 912-0429   | Hex Lock Nut, 5/16-18                | 50       | 783-0678C  | Deck Lift Link                         |
| 24       | 732-04035  | Spring, Compr. , 1.28 OD x 3.125     | 51       | 683-04448  | Battery Hold Down Rod                  |
| 25       | 736-0173   | Flat Washer, .28 x .74 x .063        | 52       | 712-0271   | Nut, Sems, 1/4-20                      |
| 26       | 738-04237A | Shoulder Screw, #10-32 x .500        | 53       | 710-04666  | Screw, Carriage, 1/4-20, .75, Gr5      |
| 27       | 783-04548D | Seat Bracket, Frame                  |          |            |  |

**NOTE:** Tractor features vary by model. NOT all parts listed above and pictured on the previous page are standard equipment.

# 42" Deck



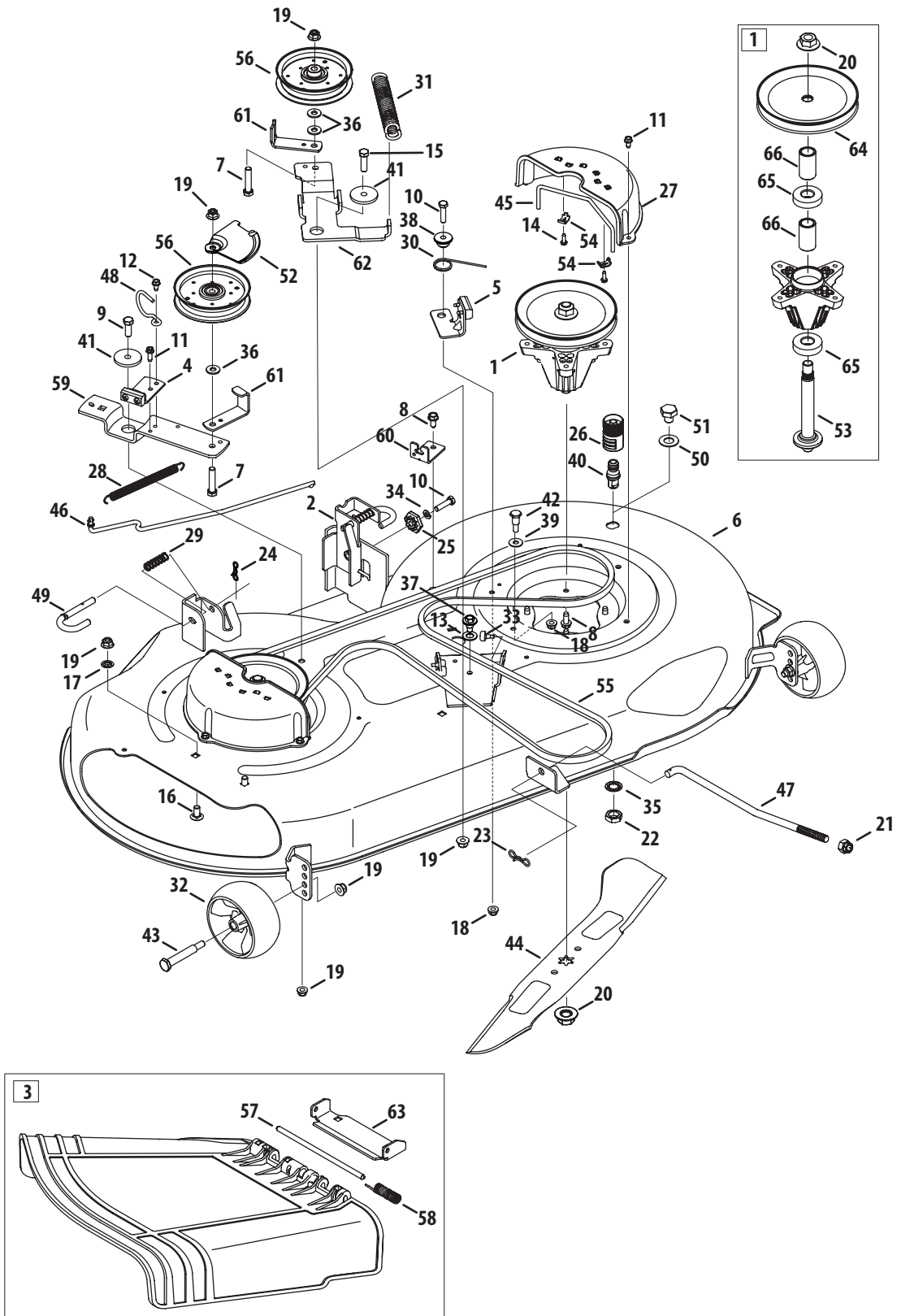


| Ref. | Part Number | Description                          | Ref. | Part Number | Description                         |
|------|-------------|--------------------------------------|------|-------------|-------------------------------------|
| 1.   | 918-04822A  | Spindle Ass'y, Pulley, 6.3 Dia       | 29.  | 936-0344    | Washer, Flat, .385 X 1.0 X .030     |
| 2.   | 683-0254B   | Bracket Ass'y, Deck, Hanger LH       | 30.  | 736-0187    | Washer, flat, .64 X 1.24 X .06      |
| 3.   | 983-04511   | Brake Ass'y, Deck, 42/46             | 31.  | 736-0225    | Washer, Lock, 5/8, Int Tooth        |
| 4.   | 983-04525   | Brake Ass'y, Deck, 46"               | 32.  | 736-0262    | Washer, Flat, .385 x .870 x .092    |
| 5.   | 983-04572   | Deck Ass'y, Offset, 42 W/ 2 wheel    | 33.  | 750-04936   | Spacer, .792 x 1.060 x 1.860        |
| 6.   | 710-04484   | Screw, Self-tapping, 5/16-18, .750   | 34.  | 783-06643   | Bracket, Support, Stationary Idler  |
| 7.   | 710-3005    | Hex Screw, 3/8-16, 1.25, Gr5, Std    | 35.  | 738-04146   | Plug, Bolt, M16 X 1.5               |
| 8.   | 710-0528    | Hex Screw, 5/16-18, 1.25, Gr5, Std   | 36.  | 738-04162A  | Spacer, Shoulder, .8840 x .190      |
| 9.   | 710-0599    | Screw, Self-tapping, 1/4-20, 0.500   | 37.  | 748-04272   | Shoulder Spacer                     |
| 10.  | 936-3039    | Flat Washer, .406 x 1.500 x .105     | 38.  | 938-3056    | Bolt, Shoulder, .496 x 2.50, 3/8-16 |
| 11.  | 710-0642    | Screw, Self-tapping, 1/4-20, .750    | 39.  | 942-04308   | Blade, Cut, 21.23" 2-In-1, Econ     |
| 12.  | 710-3144    | Hex Screw, 3/8-16, 2.00, Gr5, Std    | 40.  | 747-05323   | Rod, Keepr, Belt 42 Idler           |
| 13.  | 710-3178    | Bolt, Carriage, 3/8-16, 0.75, Gr1    | 41.  | 747-05141A  | Rod, Lift, Deck, Frt, 12.7          |
| 14.  | 712-0229    | Nut, Push, 3/8                       | 42.  | 747-05105B  | Rod, Control, Brake 42"             |
| 15.  | 712-04063   | Nut, Flange Lock, 5/16-18, Grf       | 43.  | 631-04288   | Chut Assembly, 42" Deck             |
| 16.  | 712-04065   | Nut, Flange Lock, 3/8-16, Grf        | 44.  | 737-04003D† | Deck Water Nozzle                   |
| 17.  | 712-0417A   | Nut, Flange, 5/8-18                  | 45.  | 936-0351    | Washer, Flat, .760 ldx1.50 Od       |
| 18.  | 712-04243   | Nut, Lock, 1/2-13                    | 46.  | 738-1186A   | Shift, Spindle, 6.11.               |
| 19.  | 912-0641    | Nut, Hex, M16-1.5                    | 47.  | 954-04060B  | Belt, V Type, A Sec X 96.5          |
| 20.  | 714-04043   | Bow-Tie Cotter Pin                   | 48.  | 756-04129B  | Pulley, Idler, 4.25" Dia            |
| 21.  | 783-06074A  | Chute Bracket                        | 49.  | 711-04847B  | Pin, Hinge, Dia .3125 x 7.96        |
| 22.  | 917-04074   | Gear, Deck, Adjustment               | 50.  | 956-1227    | Pulley, Deck, 6.3 Dia               |
| 23.  | 932-0384    | Spring, Extension, .62 Dia x 6.12    | 51.  | 732-04372   | Spring, Torsion, .44 I.D. X 2.0     |
| 24.  | 921-04041†  | Water Nozzle Adapter                 | 52.  | 783-05946   | Pivot idler Bracket, 46             |
| 25.  | 732-04840   | Spring, Torsion, .992 ID X 1.17 OD   | 53.  | 783-06243   | Bracket, Cable, Deck Engage         |
| 26.  | 734-04155†  | Wheel, Deck, 5.0 Dia Ball            | 54.  | 783-06368A  | Bracket, Guard, Belt, 4.25 Pulley   |
| 27.  | 936-0119    | Washer, Lock, 5/16, Regular Duty     | 55.  | 783-06424A  | Deck Belt Cover, 42                 |
| 28.  | 941-0919    | Bearing, Ball, .787id x 1.85 Odx.551 | 56.  | 748-04069   | Deck Lift Pivot Cup                 |

† If Equipped

**NOTE:** Tractor features vary by model. NOT all parts listed above and pictured on the previous page are standard equipment.

# 46" Deck



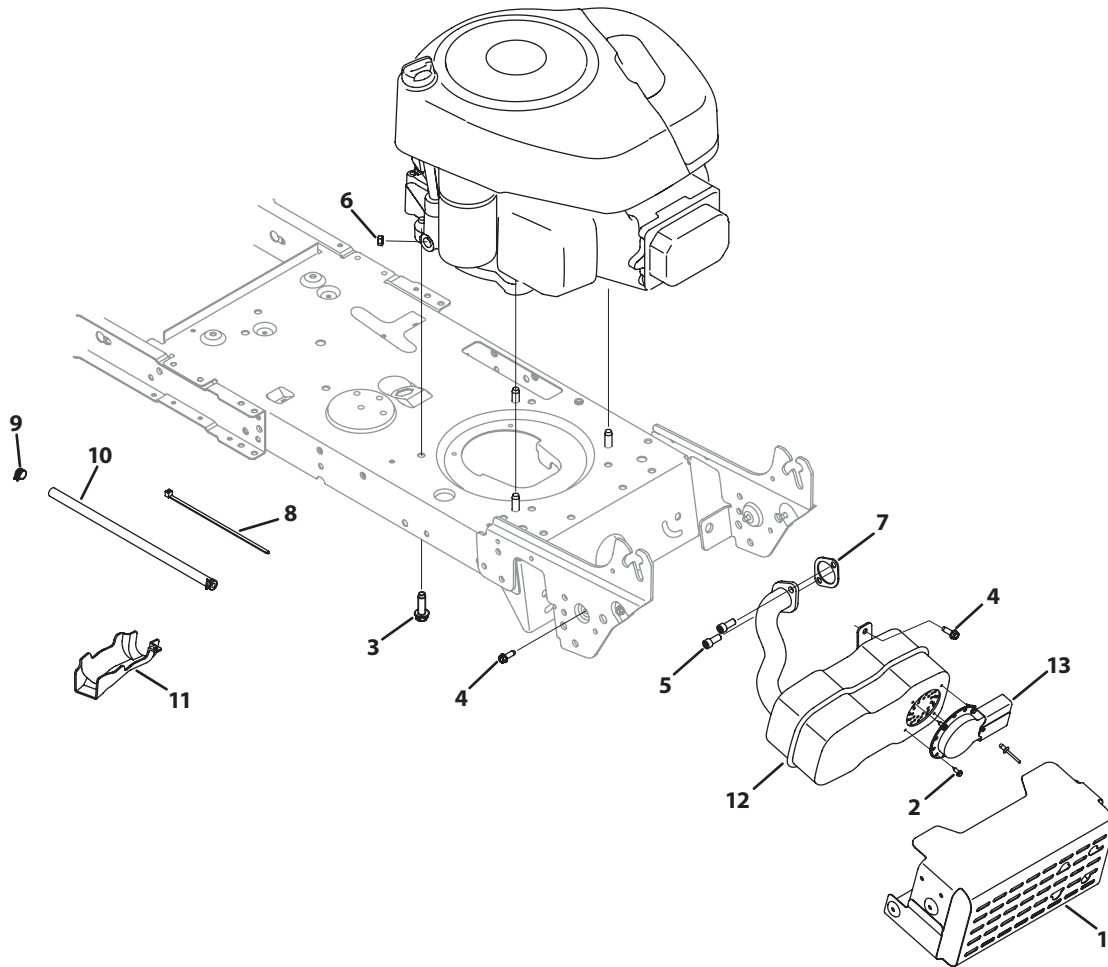
| Ref. | Part Number | Description                          |
|------|-------------|--------------------------------------|
| 1.   | 918-04865A  | Spindle Assembly, Pul 6.93 Dia       |
| 2.   | 683-0254B   | Bracket Assembly, Deck Hanger, LH    |
| 3.   | 631-04288   | Chute Deflector Assembly             |
| 4.   | 983-04511   | Brake Assembly, Deck, 42/46          |
| 5.   | 983-04525   | Brake Assembly, Deck, 46"            |
| 6.   | 683-04730   | Deck Assembly, 46t, 2w               |
| 7.   | 710-3144    | Hex Screw, 3/8-16 x 2.00             |
| 8.   | 710-04484   | Screw, Self-tapping, 5/16-18, .750   |
| 9.   | 710-0514    | Hex Screw, 3/8-16, 1.00, Gr5, Std    |
| 10.  | 710-0528    | Hex Screw, 5/16-18, 1.25, Gr5, Std   |
| 11.  | 710-0599    | Screw, Self-tapping, 1/4-20, 0.500   |
| 12.  | 710-0642    | Screw, Self-tapping, 1/4-20, .750    |
| 13.  | 936-0226    | Washer, Flat, .474 x .879 x .064     |
| 14.  | 710-1003    | Screw, B, #10-16, 0.625              |
| 15.  | 710-3005    | Hex Screw, 3/8-16 x 1.25             |
| 16.  | 710-3178    | Bolt, Carriage, 3/8-16, 0.75, Gr1    |
| 17.  | 712-0229    | Nut, Push, 3/8                       |
| 18.  | 712-04063   | Nut, Flange Lock, 5/16-18, Nylon     |
| 19.  | 712-04065   | Nut, Flange Lock, 3/8-16, Nylon      |
| 20.  | 712-0417A   | Nut, Flange, 5/8-18                  |
| 21.  | 712-04243   | Nut, Lock, 1/2-13                    |
| 22.  | 912-0641    | Nut, Hex, M16-1.5                    |
| 23.  | 714-04043   | Bow-Tie Cotter Pin                   |
| 24.  | 714-04040   | Bow-Tie Cotter Pin, 72               |
| 25.  | 917-04074   | Gear, Deck Adjustment                |
| 26.  | 921-04041†  | Water Nozzle Adapter                 |
| 27.  | 731-06496   | Belt Cover, Universal                |
| 28.  | 932-0384    | Spring, Extension, .62 x 6.12        |
| 29.  | 732-04652   | Spring, Compression, .535 x 1.751    |
| 30.  | 732-04840   | Spring, Torsion, .992 I.D X 1.17 O.D |
| 31.  | 732-04909   | Spring, Extension, 1.05 X 6.346      |
| 32.  | 734-04155   | Wheel, Deck, 5.0 Dia Ball            |
| 33.  | 735-0271A   | Bumper, .62 Dia X .3                 |

| Ref. | Part Number | Description                         |
|------|-------------|-------------------------------------|
| 34.  | 936-0119    | Washer, Lock, 5/16, Regular Duty    |
| 35.  | 736-0225    | Washer, Lock, 5/8, Int Tooth        |
| 36.  | 736-0262    | Washer, Flat, .385 x .870 x .092    |
| 37.  | 738-04091A  | Shoulder Spacer, .43 x .29, 5/16-18 |
| 38.  | 748-04272   | Shoulder Spacer, .50 x .145         |
| 39.  | 736-0371    | Washer, Flat, .343 X .880 X .062    |
| 40.  | 737-04003D† | Deck Water Nozzle                   |
| 41.  | 738-04162A  | Shoulder Spacer, .8840 X .190       |
| 42.  | 738-0754    | Shoulder Screw, .437 Dia. X .54     |
| 43.  | 938-3056    | Bolt, Shoulder, .496 x 2.50, 3/8-16 |
| 44.  | 942-04290   | Blade, Cut, 23.25" 2-In-1, Econ     |
| 45.  | 747-05011   | Rod, Keeper, Belt                   |
| 46.  | 747-05052A  | Rod, Control, Brake 46"             |
| 47.  | 747-05141A  | Rod, Lift, Deck, Medium             |
| 48.  | 747-05323   | Rod, Keeper, Belt, 42s 46t          |
| 49.  | 747-1116    | Rod, Deck Release                   |
| 50.  | 736-0187    | Washer, Flat, .64 X 1.24 X .06      |
| 51.  | 738-04146   | Plug, Bolt, M16 X 1.5               |
| 52.  | 783-07183A  | Belt Guide                          |
| 53.  | 738-1186A   | Spindle Shaft, 6.05 LG.             |
| 54.  | 751B221535  | Clamp, Casing                       |
| 55.  | 954-04219   | Belt, V-Typ, A Sec                  |
| 56.  | 756-04129B  | Pulley, Idler, 4.25" Dia            |
| 57.  | 711-04847B  | Hinge Pin                           |
| 58.  | 732-04372   | Torsion Spring                      |
| 59.  | 783-05946   | Bracket, Idler, Pivot, 46           |
| 60.  | 783-06243   | Bracket, Cable, Deck Engagement     |
| 61.  | 783-06368A  | Bracket, Guard, Belt, 4.25 Pulley   |
| 62.  | 783-07234   | Bracket, Idler, 46" Lh              |
| 63.  | 783-06074A  | Chute Bracket                       |
| 64.  | 756-04356   | Deck Pulley, 6.93 DIA               |
| 65.  | 941-0919    | Ball Bearing, .787ID X 1.85 ODX.551 |
| 66.  | 750-04936   | Spacer, .792 X 1.060 X 1.860 LG     |

† If Equipped

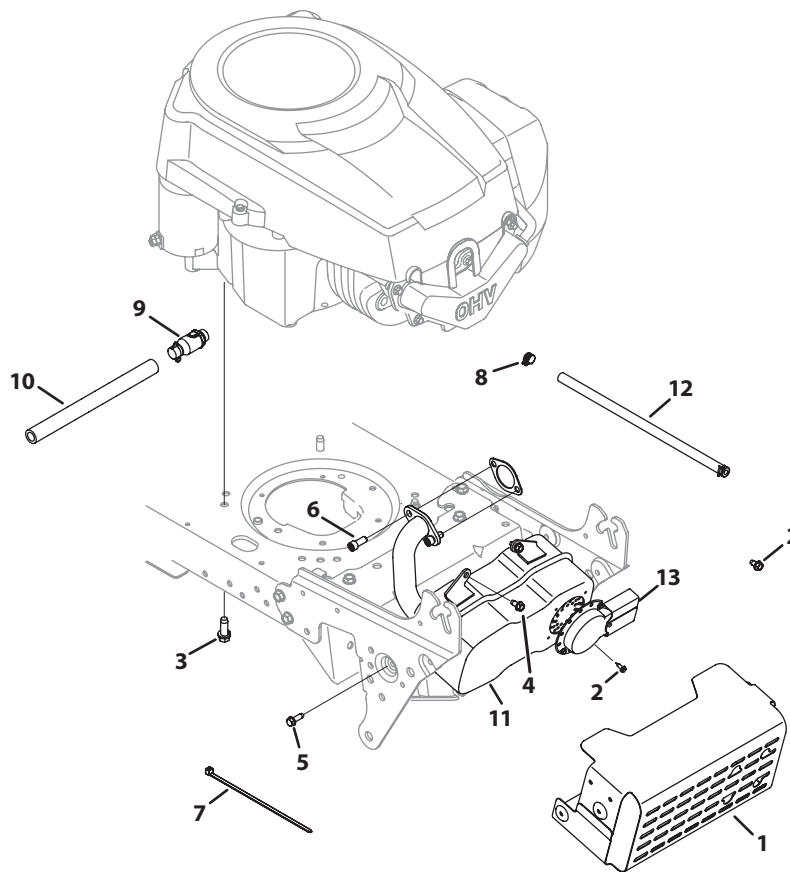
**NOTE:** Tractor features vary by model. NOT all parts listed above and pictured on the previous page are standard equipment.

# Briggs & Stratton Model 28



| Ref. No. | Part No.   | Description                       |
|----------|------------|-----------------------------------|
| 1        | 683-04549  | Muffler Shield Assembly with Weld |
| 2        | 710-0227   | Screw, 8-18 x .500                |
| 3        | 710-04683  | Screw, 3/8-16 x 1.0               |
| 4        | 710-0642   | Screw, 1/4-20 x .750              |
| 5        | 710-1314A  | Socket Screw, 5/16-18 x .750      |
| 6        | 712-0271   | Sems Nut, 1/4-20                  |
| 7        | BS-692236  | Exhaust Gasket, 10 HP Briggs      |
| 8        | 725-0157   | Cable Tie                         |
| 9        | 726-0205   | Clamp Hose, .490 diameter         |
| 10       | 751-10349  | Fuel Hose, Low Permeation         |
| 11       | 731-05628  | Oil Drain Sleeve                  |
| 12       | 751-10448C | Muffler, Single Inlet             |
| 13       | 751-11053  | Muffler Deflector Long            |

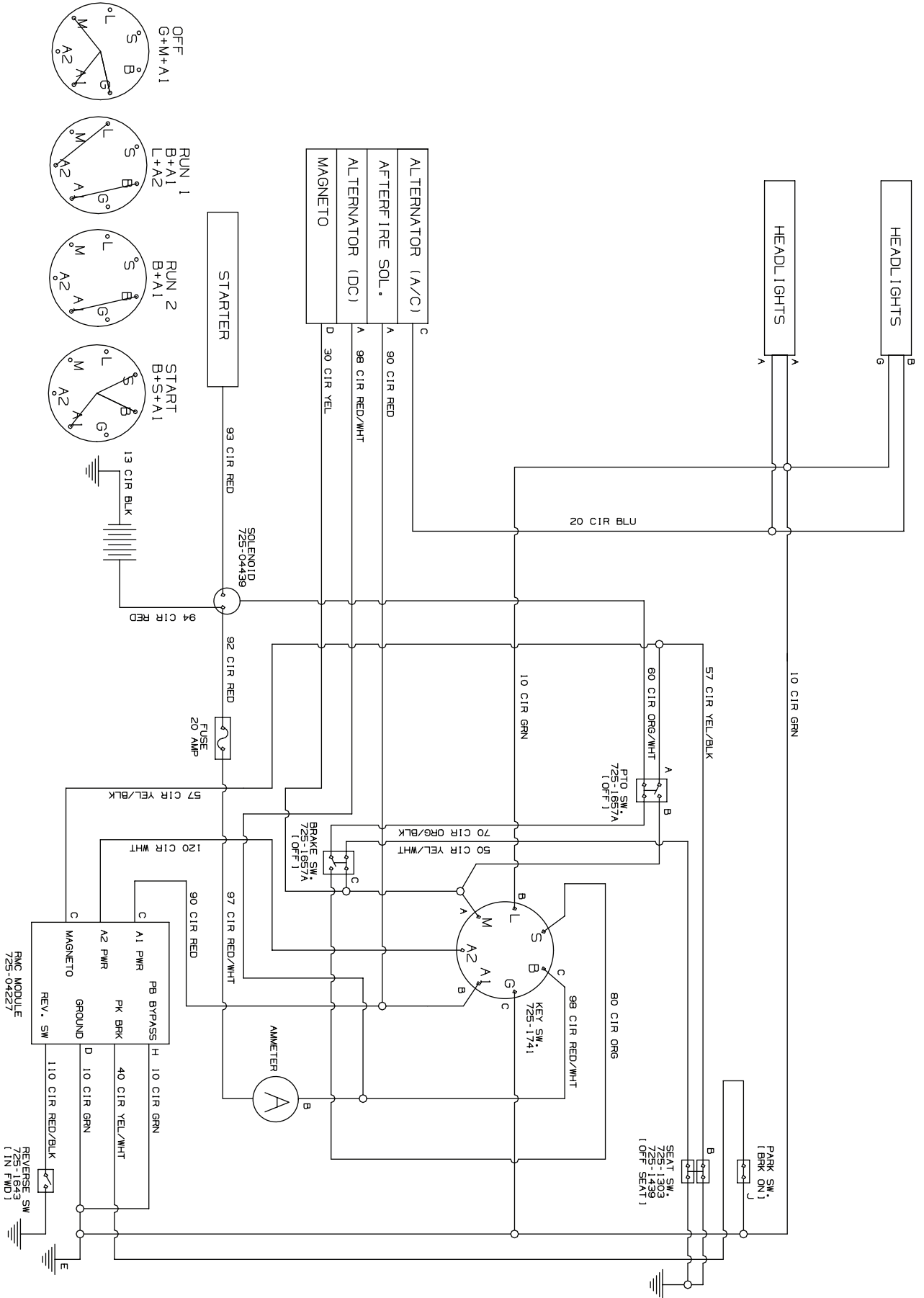
NOTE: Tractor features vary by model. NOT all parts listed and pictured above are standard equipment.



| Ref. No. | Part No.     | Description                       |
|----------|--------------|-----------------------------------|
| 1        | 683-04549    | Muffler Shield Assembly with Weld |
| 2        | 710-0227     | Screw, 8-18 x .500                |
| 3        | 710-04683    | Screw, 3/8-16 x 1.0               |
| 4        | 710-0599     | Screw, 1/4-20 x .500              |
| 5        | 710-0642     | Screw, 1/4-20 x .750              |
| 6        | 710-1314A    | Socket Screw, 5/16-18 x .750      |
| 7        | 725-0157     | Cable Tie                         |
| 8        | 726-0205     | Clamp Hose, .490 diameter         |
| 9        | 951-10517A   | Oil Drain                         |
| 10       | 751-3141-14  | Oil Drain, Extension Hose         |
| 11       | 751-11943    | Muffler                           |
| 12       | 751-10349-28 | Fuel Hose, Low Permeation         |
| 13       | 751-11053    | Muffler Deflector Long            |

NOTE: Tractor features vary by model. NOT all parts listed and pictured above are standard equipment.

# Wiring Harness Schematic - 725-04432G



**This page left intentionally blank.**



To order replacement parts or locate your nearest service dealer call a Customer Support at (800) 800-7310.  
or visit [www.mtdproducts.com](http://www.mtdproducts.com) to find the nearest authorized dealer in your area.

---

**MTD LLC, P.O. BOX 361131 CLEVELAND, OHIO 44136-0019**

---