



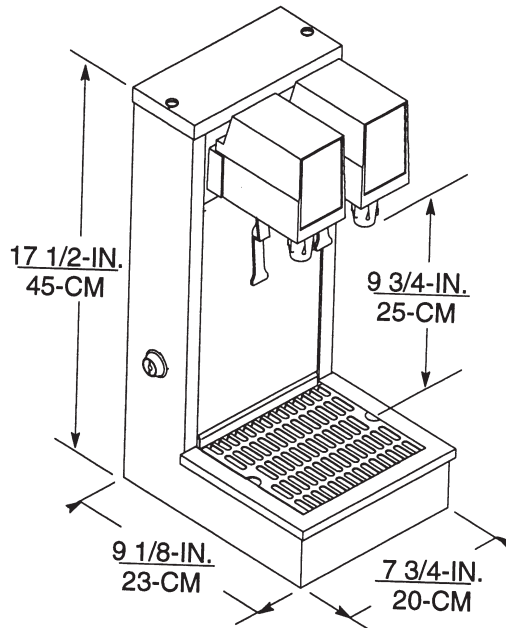
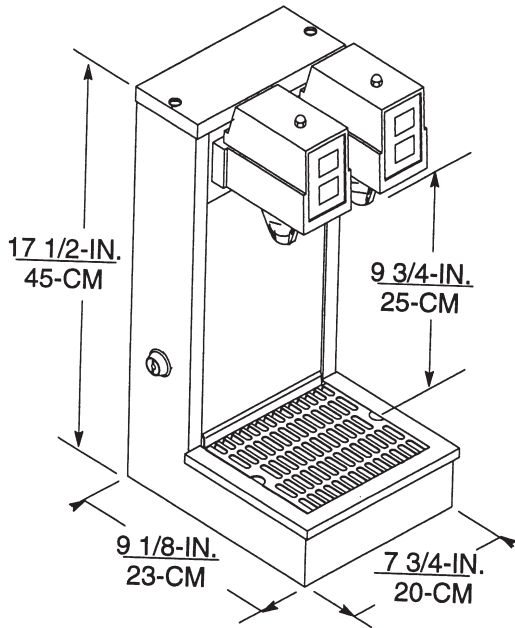
# TEA TOWER

## POST-MIX BEVERAGE DISPENSER



### FEATURES:

- One, two, or four flavor capability
- Inlet line access from back or bottom of tower
- Drip tray can be removable or plumbed
- Cooling capacity relies on your choice of remote cooling unit
- Syrup is stored in remote containers
- Simple connections to water and syrup lines
- Stainless steel construction
- Brix ratio adjustable from 5:1 to 8.5:1



PART NUMBER	DESCRIPTION
620048544	Two flavor, UFB-1™ Sanitary Lever Valves
631000014	Single flavor, UFB-1™ Sanitary Lever Valves
631000016	Two McCann Dual Flavor Push Button Valves (4 Flavors)

**TECHNICAL SPECIFICATIONS:**

CUP CLEARANCE . . . . . 9.75" (248 mm)  
 WATER PRESSURE REQUIRED . . 25 lb psi minimum  
 ELECTRICAL REQUIREMENTS . . 120 V / 60 Hz / 2 Amps

SHIPPING WEIGHTS . . . . . 620048544 and  
 631000014: 13 lb  
 631000016: 16 lb

AGENCY LISTINGS: . . . . .  



IN THE U.S.A.  
 Ph: 800.238.3600  
 Fax: 763.488.4283

OUTSIDE THE U.S.A.  
 Ph: 763.488.8200  
 Fax: 763.488.4283

101 Broadway Street West  
 Osseo, MN 55369  
 www.cornelius.com