



IMI CORNELIUS INC.  
One Cornelius Place  
Anoka, MN. 55303-6234  
Telephone 1-800-238-3600  
Facsimile 1-800-258-0255

[www.cornelius.com](http://www.cornelius.com)

## ILLUSTRATED PARTS LIST

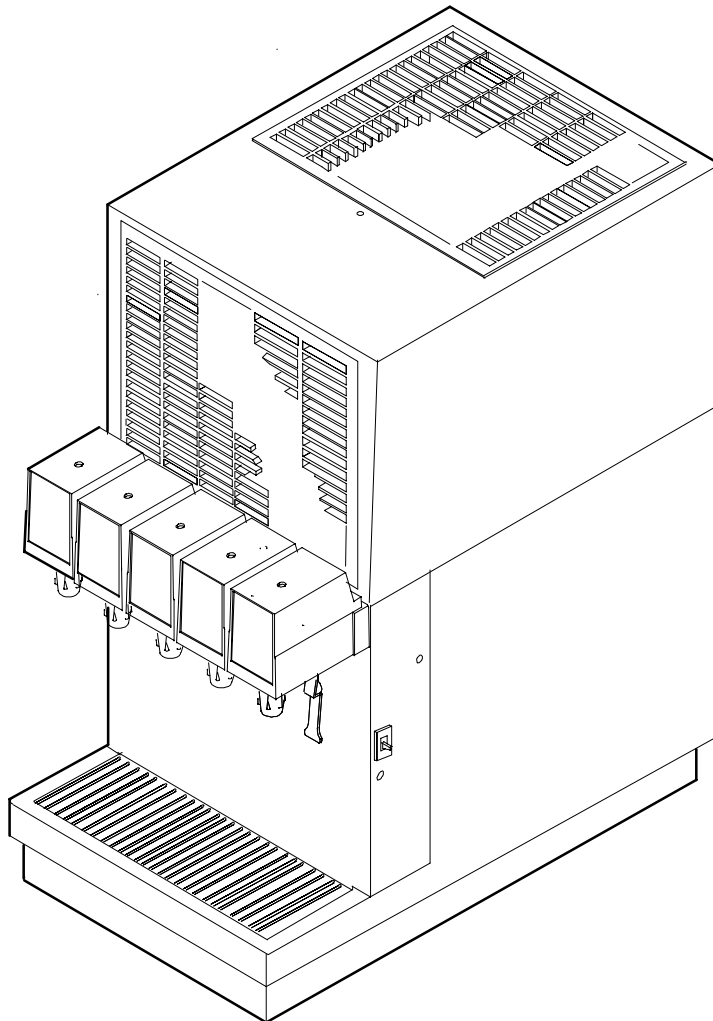
---

### SPIRIT POST-MIX DISPENSER

#### MODEL NO.

414384-xxx

414385-xxx





IMI CORNELIUS INC.  
One Cornelius Place  
Anoka, MN. 55303-6234  
Telephone 1-800-238-3600  
Facsimile 1-800-258-0255

www.cornelius.com

## ILLUSTRATED PARTS LIST

### SPIRIT POST-MIX DISPENSER

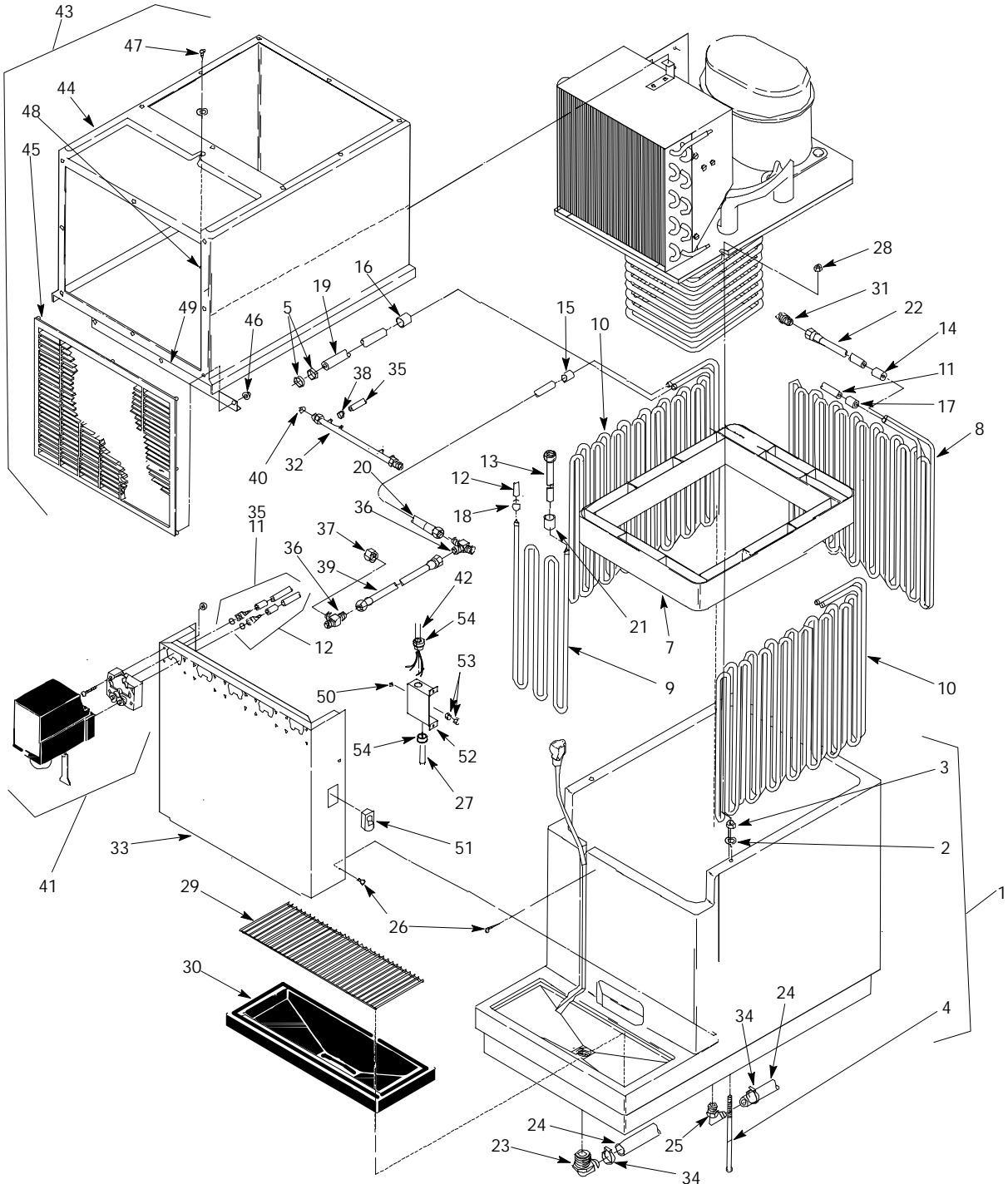


FIGURE 1. SPIRIT POST-MIX DISPENSER ASSEMBLY



IMI CORNELIUS INC.  
 One Cornelius Place  
 Anoka, MN. 55303-6234  
 Telephone 1-800-238-3600  
 Facsimile 1-800-258-0255

www.cornelius.com

## ILLUSTRATED PARTS LIST

### SPIRIT POST-MIX DISPENSER

Item No.	Part No.	Name
1	317940000	Housing Low (Includes 2-4)
2	183031001	Washer Seal .250 I.D.
3	311811000	Nut Hex 1/4-20
4	319004001	Bolt MA 1/4-20 x 17"
5	312926000	Clamp 4-Flavor
	311908000	Clamp 5-Flavor
6	300449000	Coil and Tube Asy 4-Flavor (No Longer Available) (Includes 7-22)
	4238	Coil and Rack Asy 5-Flavor (No Longer Available) (Includes 7-22)
7	317967000	Retainer Coil
8	317970000	Coil Prod and Plain Wtr
9	317971000	Coil Syr Asy 4-Flavor
	3903	Coil Syr RH 5-Flavor (No Longer Available)
	3904	Coil Syr LH 5-Flavor (No Longer Available)
10	317969000	Coil Carb Wtr
11	318481000	Tube Prod .156 I.D. x 24" 5-Flavor (See Figure 3)
12	318407000	Tube Prod .156 I.D. x 8" 4-Flavor (See Figure 3)
	308963000	Tube Prod .156 I.D. x 6" 4-Flavor (See Figure 3)
	4690	Tube Prod .250 I.D. x 4" 5-Flavor (See Figure 3)
13	317957000	Tube Prod .250 I.D. x 72" (See Figure 4)
14	176000000	Ferrule .500 I.D.
15	176000000	Ferrule .500 I.D. 4-Flavor
	311908000	Clamp 5-Flavor
16	176000000	Ferrule .500 I.D. 4-Flavor
	176001000	Ferrule .425 I.D. 5-Flavor
17	176035000	Ferrule .335 I.D.
18	176035000	Ferrule .335 I.D. 4-Flavor
	176001000	Ferrule .425 I.D. 5-Flavor
19	174103001	Tube Cut .250 I.D. (Sold by the Foot) 5-Flavor
20	174478000	Tube Cut .265 I.D. (Sold by the Foot)
	2963	Line Suct
21	176001000	Ferrule .425 I.D.
22	317651000	Tube Prod .265 I.D. x 64" (See Figure 4)
23	317984000	Fitg L 3/4-MPT x 1/2-Barb
24	113500000	Tube Cut .500 I.D. (Sold by the Foot)
25	1971	Fitg L 1/4-MPT x 1/2-Barb

Item No.	Part No.	Name
26	188072000	Screw MA 10 TRPH 16
27	2080	Cord Serv
28	330181000	Nut Hex No. 6-32
29	317982000	Cup Rest
30	317920000	Drip Tray
31	176193000	Fitg 7/16-20
32	1613	Manifold Wtr 3-Port 4-Flavor
	569000214	Kit Manifold 5-Flavor
	174150001	Tube Vinyl .625 I.D. 5-Flavor (Sold by the Foot)
33	317988011	Panel Val 4-Flavor (No Longer Available)
	317986011	Panel Val 5-Flavor
34	140135000	Clamp
35	318963000	Tube Soda Return 4-Flavor (See Figure 3)
	4691	Tube Prod .250 I.D. x 5" 5-Flavor (No Longer Available) (See Figure 3)
	4690	Tube Prod .250 I.D. x 4" 4-Flavor (No Longer Available) (See Figure 3)
36	176195100	Fitg T 7/16-20 4-Flavor
	77060100	Fitg T 1/4-Barb 5-Flavor
37	77045200	Fitg Cap 7/16-20
38	311527000	Clamp 4-Flavor
	311908000	Clamp 5-Flavor
39	311112000	Tube Conn .312 I.D. x 66" 4-Flavor (See Figure 5)
	317651000	Tube Prod .265 I.D. x 64" 5-Flavor (See Figure 5)
40	178025100	Gasket 1/4 Male Flare 4-Flavor
41		Dispensing Valve Ass'y (See Manual No. 319006008)
42	2081	Cord Recp
43	317960717	Hood Asy (includes 44-NO TAG)
44	319583717	Hood
45	317656039	Grille
46	317658000	Nut Push .188 Stud
47	320271000	Screw TC 6-32 PAPH 12
48	140092000	O-Ring .114 I.D.
49	319644000	Stiffener
50	319941000	Screw TR 8-32 HXWS 12
51	313438000	Swt On/Off
52	111810000	Box Switch
53	200498003	Nut Hex No. 8-32
54	186564000	Strain Relief



IMI CORNELIUS INC.  
One Cornelius Place  
Anoka, MN. 55303-6234  
Telephone 1-800-238-3600  
Facsimile 1-800-258-0255

www.cornelius.com

## ILLUSTRATED PARTS LIST

### SPIRIT POST-MIX DISPENSER

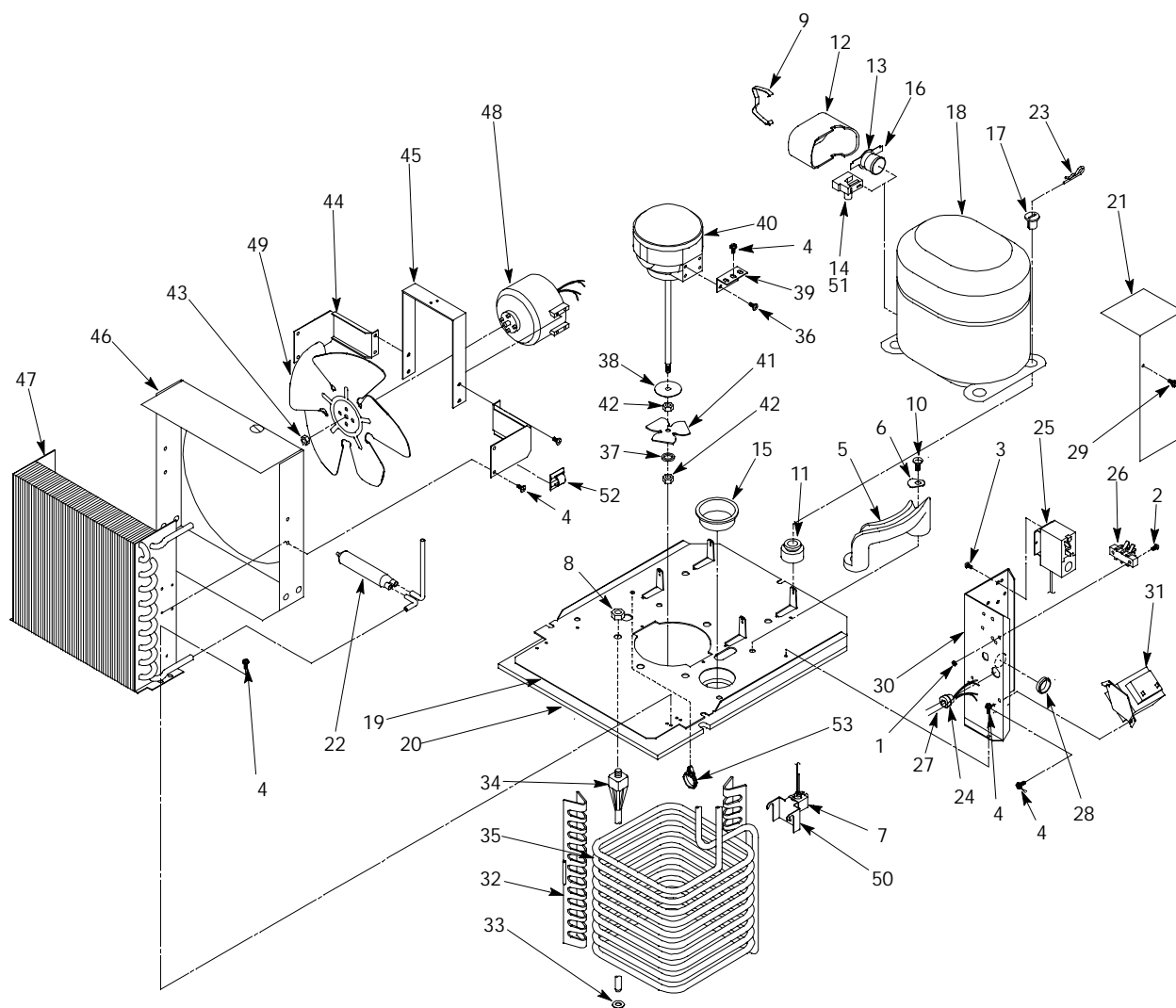


FIGURE 2. SPIRIT REFRIGERATION ASSEMBLY



IMI CORNELIUS INC.  
 One Cornelius Place  
 Anoka, MN. 55303-6234  
 Telephone 1-800-238-3600  
 Facsimile 1-800-258-0255

www.cornelius.com

## ILLUSTRATED PARTS LIST

### SPIRIT POST-MIX DISPENSER

Item No.	Part No.	Name
1	330181000	Nut Hex No. 6-32
2	189378000	Screw MA 6-32 PAPH 20
3	189578000	Screw SE 6-32 TRPH 8
4	319941000	Screw TR 8-32 HXWS 12
5	180320039	Handle Tank
6	180329000	Washer Tank Handle
7	185176000	Retainer Control Bulb
8	186146000	Nut Hex 5/16-18
9	187636000	Strap Bale
10	188967000	Bolt MA 1/4-20 RDSL 20
11	189723000	Grommet Compr
12	187638000	Cover Term
13	4298	Overld
14	3128	Relay Start
15	313093000	Cap Plug
16	187637000	Spring Overld
17	317781000	Bushing Split
18	3648	Kit Comp 1/3H.P. 120V 60HZ
19	2865	Platform Rfg (No Longer Available)
20	319984000	Insulation Platform (No Longer Available)
21	317685000	Cover Cntrl Box
22	2601	Dryer
23	398034400	Pin Hitch
24	186564000	Strain Relief
25	186074001	Control Ice Bank
26	187876000	Block Term

Item No.	Part No.	Name
27	314112000	Cord Serv
28	320389000	Bushing Snap
29	320271000	Screw TC 6-32 PAPH 12
30	317684013	Box Cntl
31	449999999	Transfmr 120V 60HZ-24V
32	317661000	Spacer Coil
33	317665000	Push-On Nut
34	318301000	Rod Support
35	2508	Evap Coil
36	186154000	Screw SE 8-36 PAPH 12
37	186294000	Washer Lk .262 I.D.
38	186599000	Slinger Water
39	187022000	Brkt Mtr Agit
40	314072000	Motor Agit 120V 60HZ
41	317975000	Blade Agit
42	186116000	Nut Hex 1/4-20
43	189429000	Nut Hex 1/4-20
44	300174000	Brkt Mtr Fan
45	309984010	Brkt Retainer Hood (No Longer Available)
46	319631000	Shroud Fan
47	314554010	Cond Coil
48	332417088	Motor Fan 9W 120V 60HZ
49	332420000	Fan 5-Blade
50	319998000	Holder C-Bulb
51	320289000	Screw TR 6-32 PAPH 8
52	313736000	Clip
53	2757	Retainer



IMI CORNELIUS INC.  
 One Cornelius Place  
 Anoka, MN. 55303-6234  
 Telephone 1-800-238-3600  
 Facsimile 1-800-258-0255

www.cornelius.com

## ILLUSTRATED PARTS LIST

### SPIRIT POST-MIX DISPENSER

Item No.	Part No.	Name
	308961000	Tube Prod Vbrd .156 I.D. x 24"
	318481000	Tube Prod Vbrd .156 I.D. x 24"
	318407000	Tube Prod Vbrd .156 I.D. x 8"
	308963000	Tube Prod Vbrd .156 I.D. x 6" (No Longer Available)
	308962000	Tube Prod Vbrd .156 I.D. x 6" (No Longer Available)
	4690	Tube Prod Vblu .250 I.D. x 4" (No Longer Available)
	4691	Tube Prod Vblu .250 I.D. x 5" (No Longer Available)
1	174102000	Tube Cplybrd .156 I.D. (Sold by the Foot)
	174103000	Tube Vinbrd .250 I.D. (Sold by the Foot)
2	176004000	Ferrule .335 I.D.
	176001000	Ferrule .425 I.D.
3	77842100	Fitg Val .156-Barb
	77840800	Fitg Val SF-1 .156-Barb
	77050300	Fitg Val Dole .156-Barb

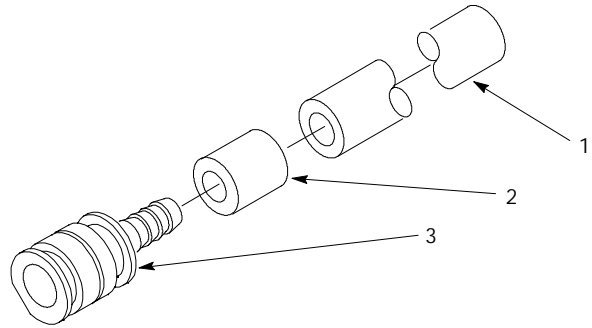


FIGURE 3. VALVE TUBE ASSEMBLY

Item No.	Part No.	Name
	317957000	Tube Prod Vbrd .250 I.D. x 72"
	317651000	Tube Prod Flex .265 I.D. x 64"
1	174103000	Tubg Vinbrd .250 I.D. (Sold by the Foot)
	174478000	Tubg Flexcor .265 I.D. (Sold by the Foot)
2	176001000	Ferrule .425 I.D.
	176000000	Ferrule .500 I.D.
3	176017000	Nut Swiv 7/16-20
4	77010400	Fitg Nipl .265 I.D.

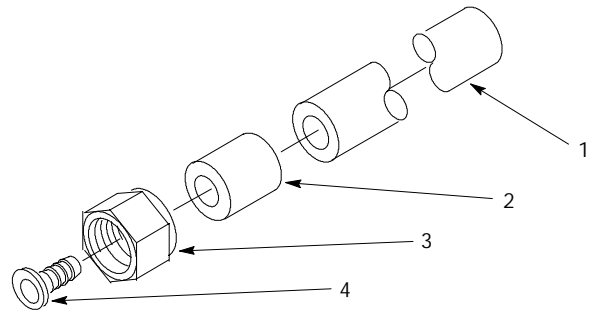


FIGURE 4. TUBE ASSEMBLY



IMI CORNELIUS INC.  
One Cornelius Place  
Anoka, MN. 55303-6234  
Telephone 1-800-238-3600  
Facsimile 1-800-258-0255

www.cornelius.com

## ILLUSTRATED PARTS LIST

### SPIRIT POST-MIX DISPENSER

Item No.	Part No.	Name
	311112000	Tube Conn .312 I.D. x 66"
1	176013000	Fitg Nipl .312 I.D.
2	176140000	Ferrule .575 I.D.
3	174091000	Tube Flexcor .312 I.D. (Sold by the Foot)
4	176018000	Nut Swiv 7/16-20

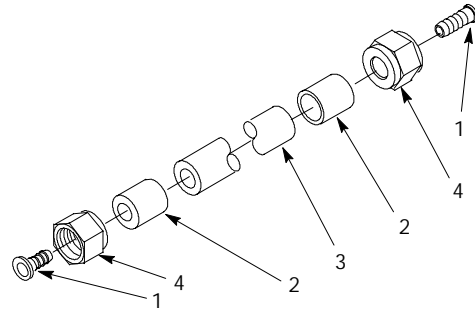


FIGURE 5. TUBE ASSEMBLY



IMI CORNELIUS INC.  
One Cornelius Place  
Anoka, MN. 55303-6234  
Telephone 1-800-238-3600  
Facsimile 1-800-258-0255

[www.cornelius.com](http://www.cornelius.com)

## ILLUSTRATED PARTS LIST

---

### SPIRIT POST-MIX DISPENSER ACCESSORIES/KITS

LEGS (314744000)