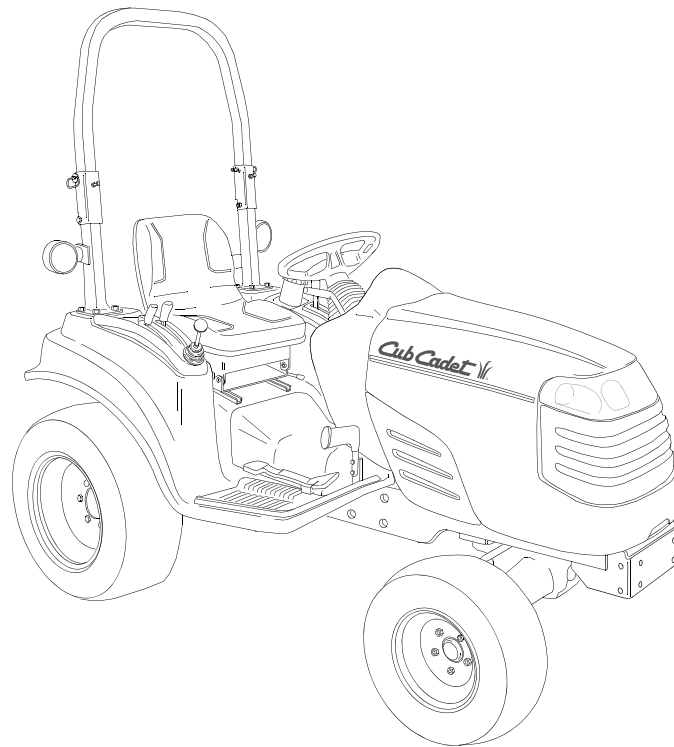


Cub Cadet

Engine Parts Manual



SERIES 6000 COMPACT TRACTOR MODEL 6284

CUB CADET LLC P.O. BOX 361131 CLEVELAND, OHIO 44136-0019 [www.cubcadet.com]

PRINTED IN U.S.A.

FORM NO. 769-01160

(12/04)

HH245-7473U
400S403C-11

245-7473
2004/02/11

The information given within this parts book was correct at the time of printing and is subject to change without notice. Always refer to your local Perkins outlet for the latest information. Only fully trained personnel should carry out servicing of engines. Before working on any engine always refer to the correct user service and maintenance manual.

Always refer to your local Perkins outlet before purchasing any parts

Subject to any existing rights of third parties, the information given in this document is the property of Perkins Engines Limited and should not be copied, in whole or part, without the prior written consent of the Company.

Contents

1.	Introduction	Pg. 4
2.	How To Use Your Parts Book	Pg. 4
3.	Engine Breakdown	Pg. 5
4.	Symbol Descriptions	Pg. 7
5.	Parts Lists & Illustrations	Pg. 11
6.	Parts Index	Pg. 85

Introduction

The build list of your engine, found on the front page of this parts book, provides a unique reference to the components fitted to your engine; therefore this parts book is **only** applicable to this particular engine

Always quote your build list and engine serial number when contacting your Perkins outlet.

How to use your Parts Book

This parts book has been designed to provide you with all the information you need to identify parts to service your engine. There are several features within the book to make it easy to find the parts you require.

Front Page

This lists your build list number and the date of publication of this book

Symbol Descriptions

Provides a quick reference guide to the symbols used within the book.

Engine Breakdown

Use this to identify all the major sections of your engine and the relevant pages within the book.

Parts Lists & Illustrations

This section shows each major section of your engine broken down into individual part numbers along with an associated illustration for identifying the parts you require.

The illustrations used in this parts book are representational only and should only be used for identification purposes.

For fitting instructions please refer to your engine Service Manual.

Parts Index

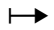
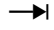
















Using either the part number or description of the part you require this section will help you locate the page within the **Parts Lists & Illustrations** section where the part appears.

Section	Page	Section	Page
Cylinder Block A1AH	11	Water Pump F1AH	41
Pistons & Rings A1AH	13	Cooling System F4AK	43
Connecting Rods A1AH	15	Pulleys F8LH	45
Crankshaft & Bearings A1AH	17	Sump G1KH	47
Cylinder Head Assembly B1AH	19	Oil Filter G1KH	49
Rocker Shaft Assembly B1AH	21	Oil Leak-Off Pipes G1KH	51
Timing Case C1LH	23	Relief Valve G1KH	53
Timing Case C1LH	25	Lift Pump H1JK	55
Timing Case C1LH	27	Flywheel Assembly J1CH	57
Stop Solenoid Control C1LH	29	Flywheel Housing J1CH	59
Camshaft & Gears C1LH	31	Starter Group K1PK	61
Fuel Injection Pump D1AH	33	Exhaust Manifold Group L1CK	63
High Pressure Fuel Pipes D1AH	35	Alternator N1BH	65
Atomisers D1AH	37	Engine Lifting O1AK	67
Cold Start System E1AH	39	Auxiliary Drive P1PK	69

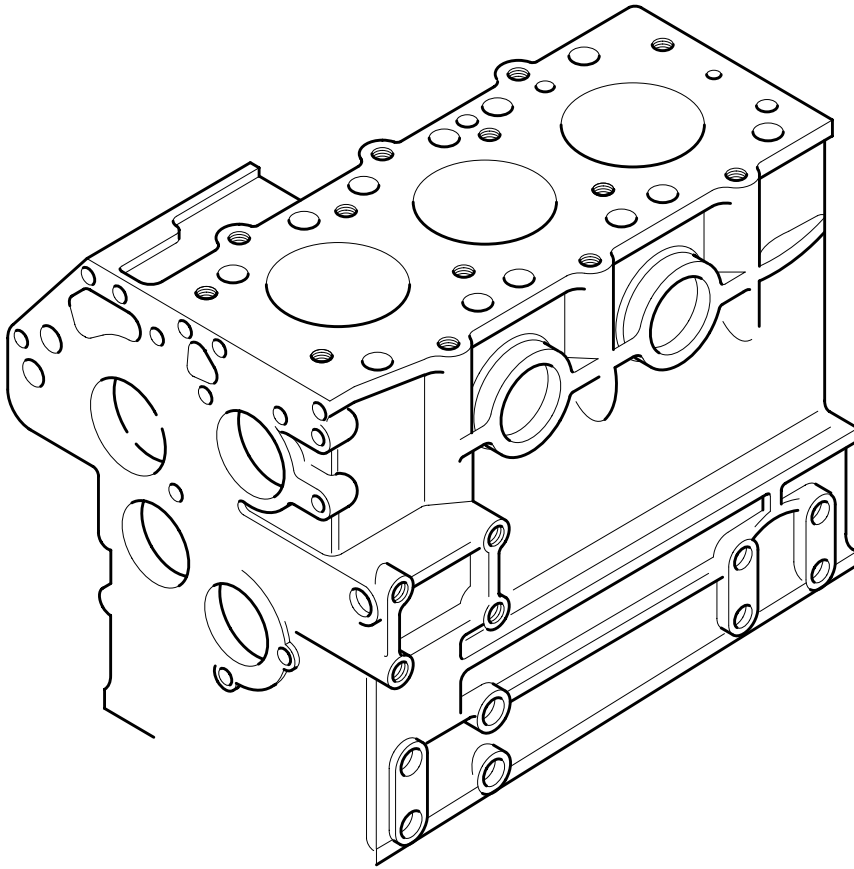
Engine Breakdown

Section	Page
Instrumentation Q1DH	71
Inlet Manifold S1BH	73
Exhaust Z1AK	75
Filler Z1NK	77
Miscellaneous Z3CK	79
Electrical Z3EH	81
Miscellaneous Z3EK	83

Symbols and Notes

Symbol	Description
	From Engine Number
	Upto Engine Number
	Repairs and Replaces
	See Appropriate Section - Reference Number
	Alternative
	Order
	Remanufactured Part
	New for Old Part
	Number of Teeth
	Thickness
	Bottom
	Top
	Left Hand
	Right Hand
	Reference for Detailed Breakdown
	Other Service Options Available
	Cylinder Number
	See History Section

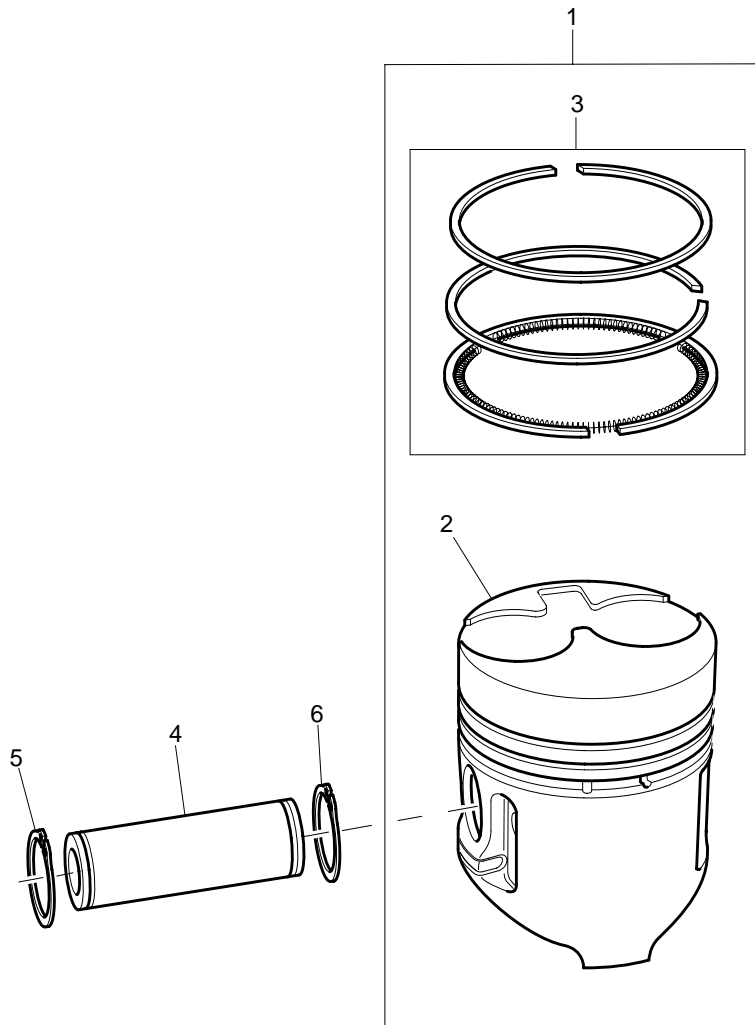
A1AH



A1AH

Item	Part No.	References	Qty.	Description	Notes
1		⇒ (LONG ENGINE)	1	CYLINDER BLOCK KIT	
2	└ 153-5382		1	PLUG	
3	└ 153-5384		2	PLUG	
4	153-5381		1	PLUG	
5	153-5385		1	PLUG	
6	(064400010)		1	CORE PLUG	
7	153-5387		4	PLUG	
8	221-1136		3	PLUG	
9	231-8817		1	BUSH	
10	(030500616)		2	DOWEL	
11	(030501025)		2	DOWEL	
12	153-5390		1	BALL BEARING	
13	153-5391		1	PLUG	
14	(042303015)		1	BEARING	
15	(050209107)		1	REAR OIL SEAL	
16	231-8822		1	SHAFT	
17	(030500512)		1	DOWEL	
18	(010109440)		2	STUD	
19	(030309005)		2	PIN	
20	(012110635)		1	STUD	
21	(012110660)		1	STUD	
22	200-6454		1	PLATE	
23	215-2618		1	TIMING CASE JOINT	
24	(011310612)		2	SCREW	

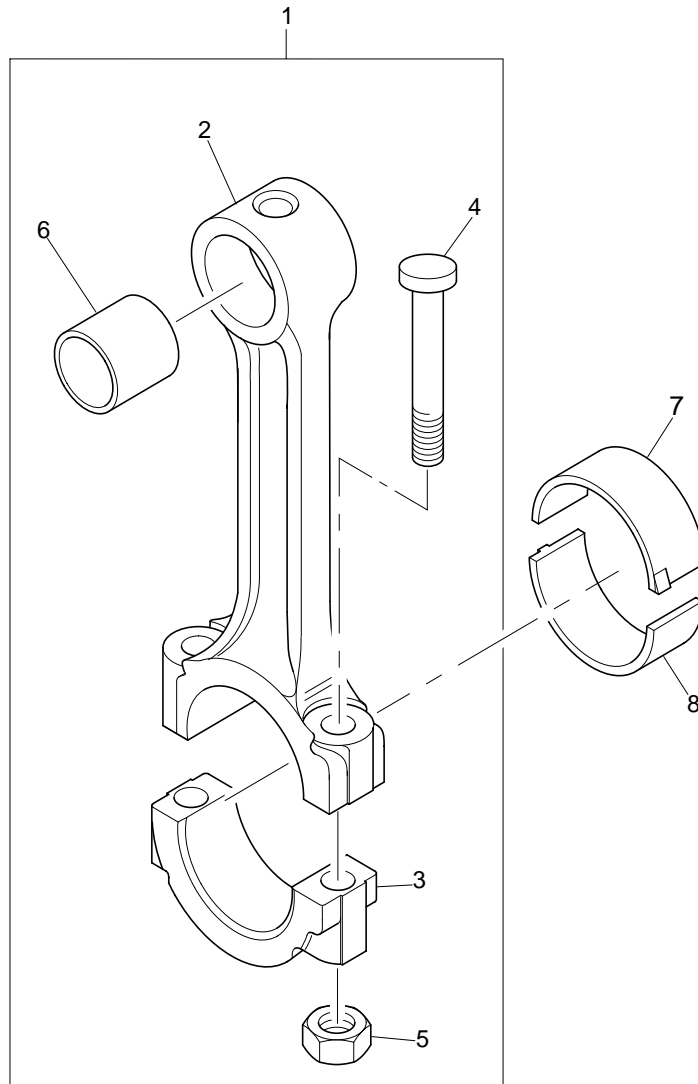
A1AH



A1AH

Item	Part No.	References	Qty.	Description	Notes
1	231-3885		1	PISTON AND RING KIT	
2		⇒ 231-3885	1	PISTON	
3	231-3888		1	PISTON RING KIT	
4	153-5540		1	GUDGEON PIN	
5	(036500021)		1	CIRCLIP	
6	(036500021)		1	CIRCLIP	

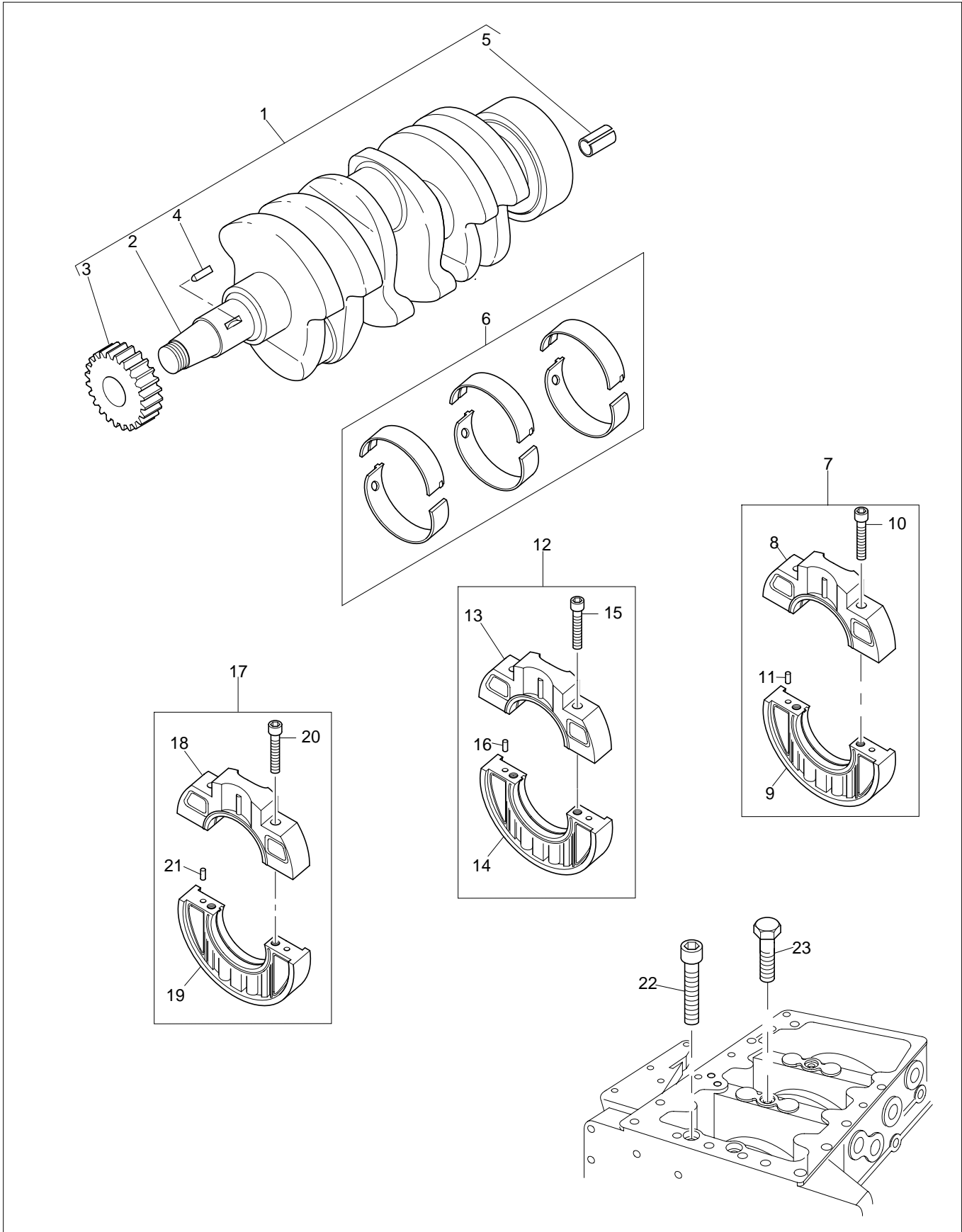
A1AH



Connecting Rods**Plate A****A1AH**

Item	Part No.	References	Qty.	Description	Notes
1	231-3870		1	CONROD KIT	
2		⇒ 231-3870	1	CONROD	
3		⇒ 231-3870	1	CAP	
4	153-5537		2	CON ROD BOLT	
5	(020109075)		2	CON ROD NUT	
6	153-5536		1	BUSH	
7	231-8814		3	BIG END SHELL BEARING	
8	231-8814		3	BIG END SHELL BEARING	

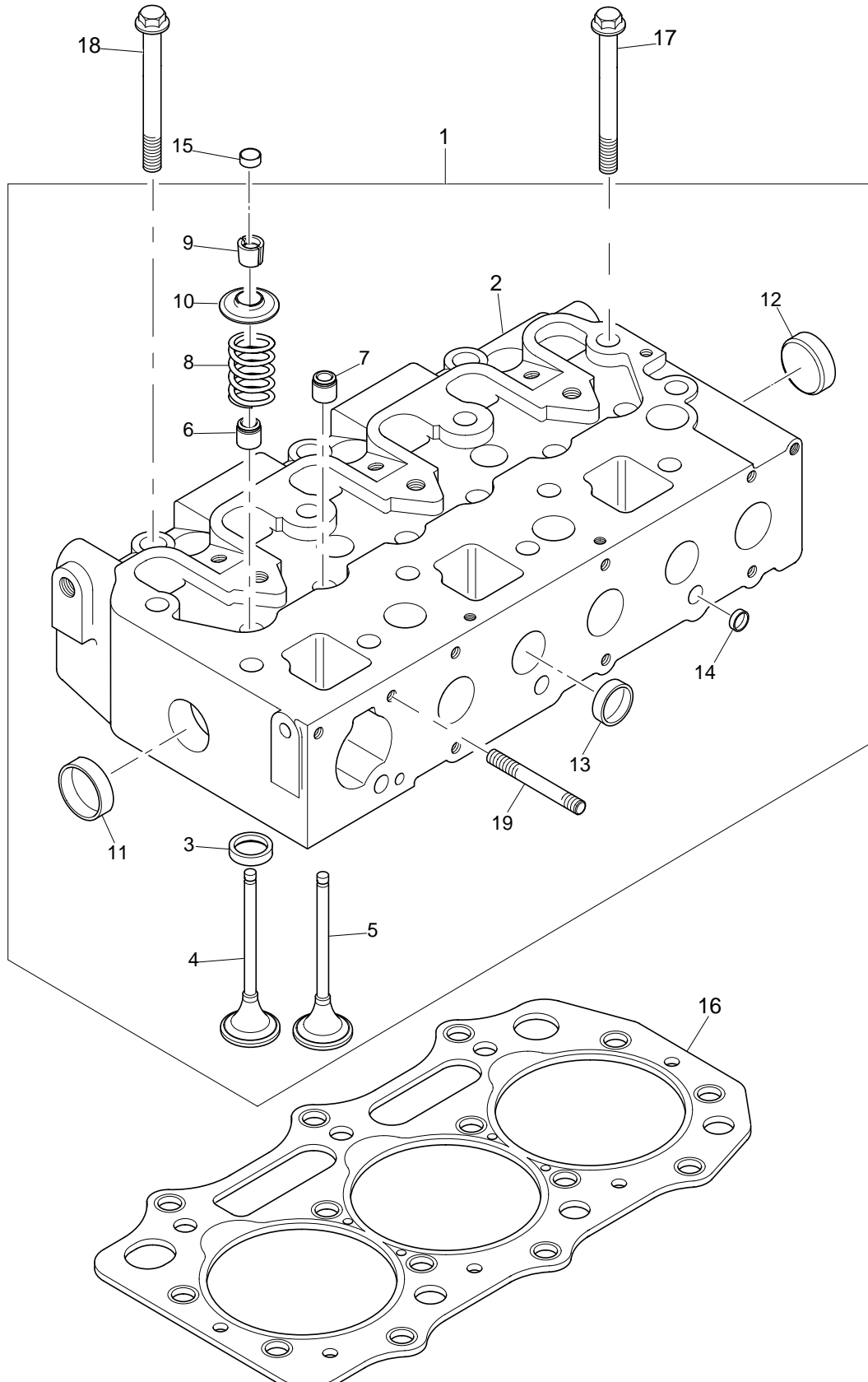
A1AH



A1AH

Item	Part No.	References	Qty.	Description	Notes
1	231-2799		1	CRANKSHAFT KIT	
2		⇒ 231-2799	1	CRANKSHAFT	
3	153-5517		1	CRANKSHAFT GEAR	
4	(030509020)		1	KEY	
5	(030300816)		1	PIN	
6	231-2800		1	MAIN BEARING KIT	
7	231-2801		1	BEARING CAP	
8		⇒ 231-2801	1	BEARING CAP	
9		⇒ 231-2801	1	BEARING CAP	
10	(010810840)		2	SCREW	
11	(030500612)		2	DOWEL	
12	231-2802		1	BEARING CAP	
13		⇒ 231-2802	1	BEARING CAP	
14		⇒ 231-2802	1	BEARING CAP	
15	(010810840)		4	SCREW	
16	(030500612)		2	DOWEL	
17	231-2803		1	BEARING CAP	
18		⇒ 231-2803	1	BEARING CAP	
19		⇒ 231-2803	1	BEARING CAP	
20	(010810845)		2	BOLT	
21	(030500612)		2	DOWEL	
22	(010700845)		2	SCREW	
23	(011510850)		2	SCREW	

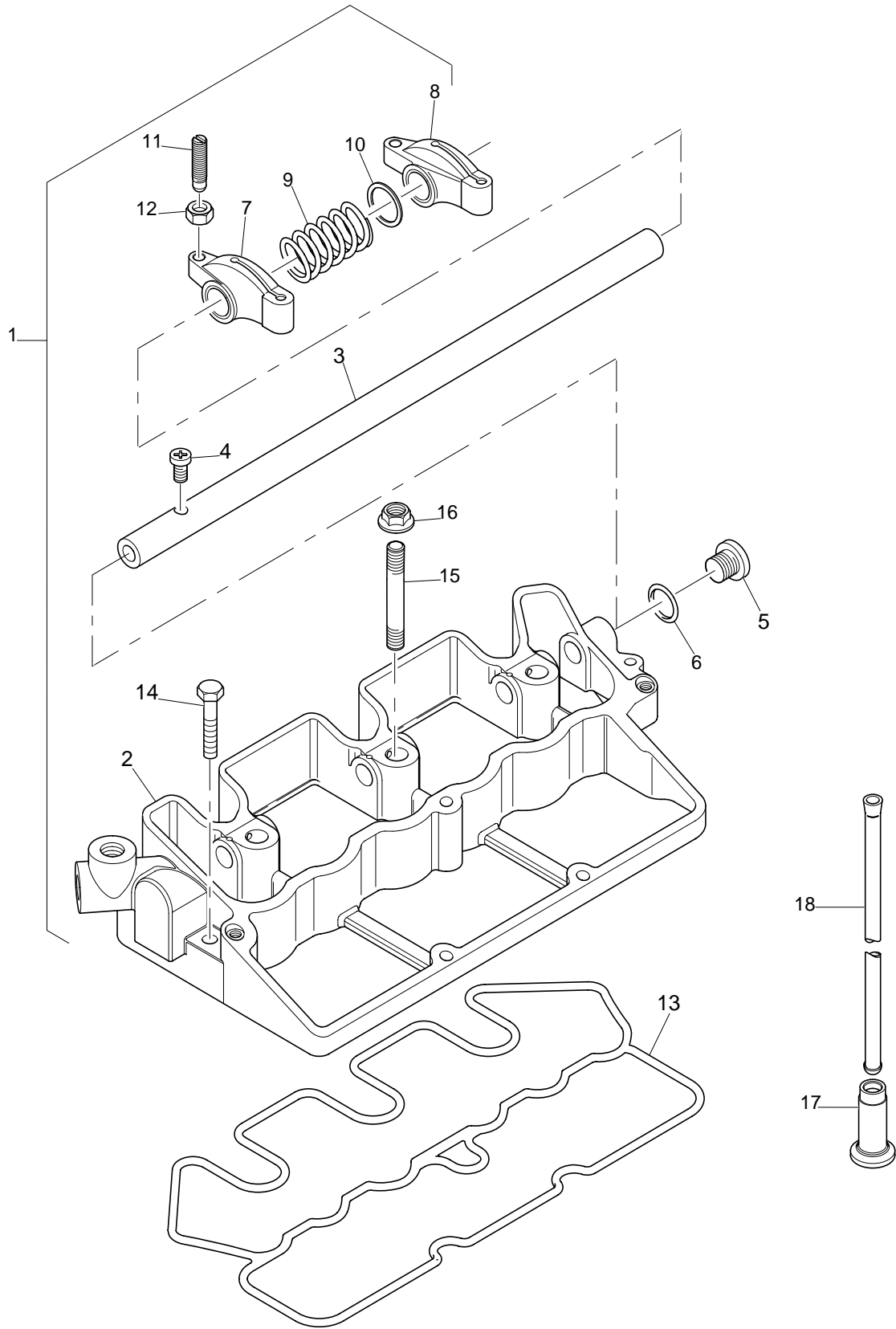
B1AH



B1AH

Item	Part No.	References	Qty.	Description	Notes
1	231-2072		1	CYLINDER HEAD ASSEMBLY	
2	├	⇒ 231-2072	1	CYLINDER HEAD	
3	├┬ 230-9126		3	INSERT	
4	├ 231-2070		3	INLET VALVE	
5	├ 153-5555		3	EXHAUST VALVE	
6	├ 153-5559		3	VALVE STEM SEAL	(A)
7	├ 153-5554		3	VALVE STEM SEAL	(B)
8	├ 153-5558		6	VALVE SPRING	
9	├ 153-5556		12	COTTER	
10	├ 153-5557		6	VALVE CAP	
11	├ 153-5552		1	PLUG	
12	├ 153-5552		1	PLUG	
13	├ 153-5553		6	PLUG	
14	├ 153-5381		2	PLUG	
15	153-5573		6	CAP	
16		Ⓢ	1	CYLINDER HEAD GASKET	
17	153-5575		11	SCREW	
18	153-5578		3	SCREW	
19	153-5944		2	STUD	
Service Options					
16	(111147560)	≡ 1.2MM	1	CYLINDER HEAD GASKET	
16	231-2073	≡ 1.3MM	1	CYLINDER HEAD GASKET	
Footnotes					
(A)	INLET				
(B)	EXHAUST				

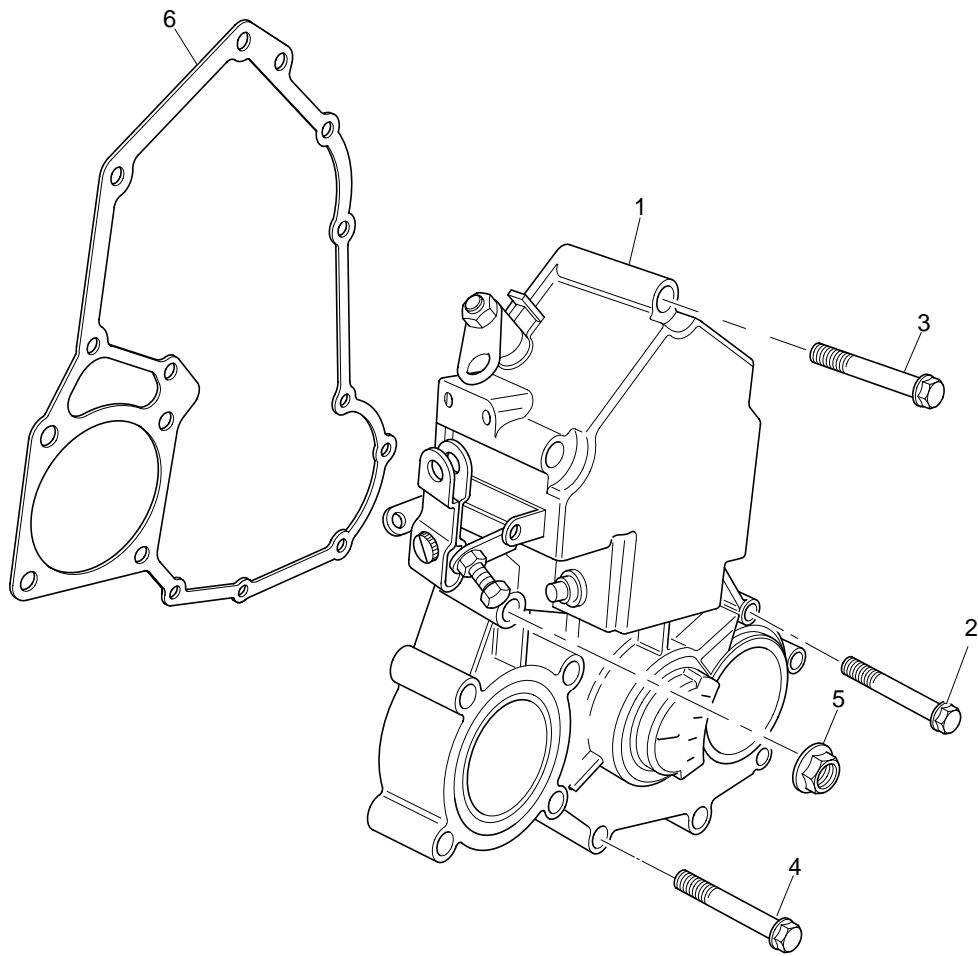
B1AH



B1AH

Item	Part No.	References	Qty.	Description	Notes
1	231-2184		1	ROCKER SHAFT ASSEMBLY	
2			1	ROCKER SHAFT BRACKET	
3	231-2183		1	ROCKER ARM SHAFT	
4	(015100410)		1	SCREW	
5	156-6948		1	PLUG	
6	156-6950		1	O RING	
7	153-5579		3	LEVER	
8	153-5577		3	LEVER	
9	153-5586		2	SPRING	
10	153-5595		4	WASHER	
11	153-5587		6	ADJUSTING SCREW	
12	153-5590		6	NUT	
13	231-2208		1	ROCKER BOX JOINT	
14	153-6861		2	SCREW	
15	153-5591		3	STUD	
16	153-5592		3	NUT	
17	153-5594		6	TAPPET	
18	231-2209		6	PUSHROD	

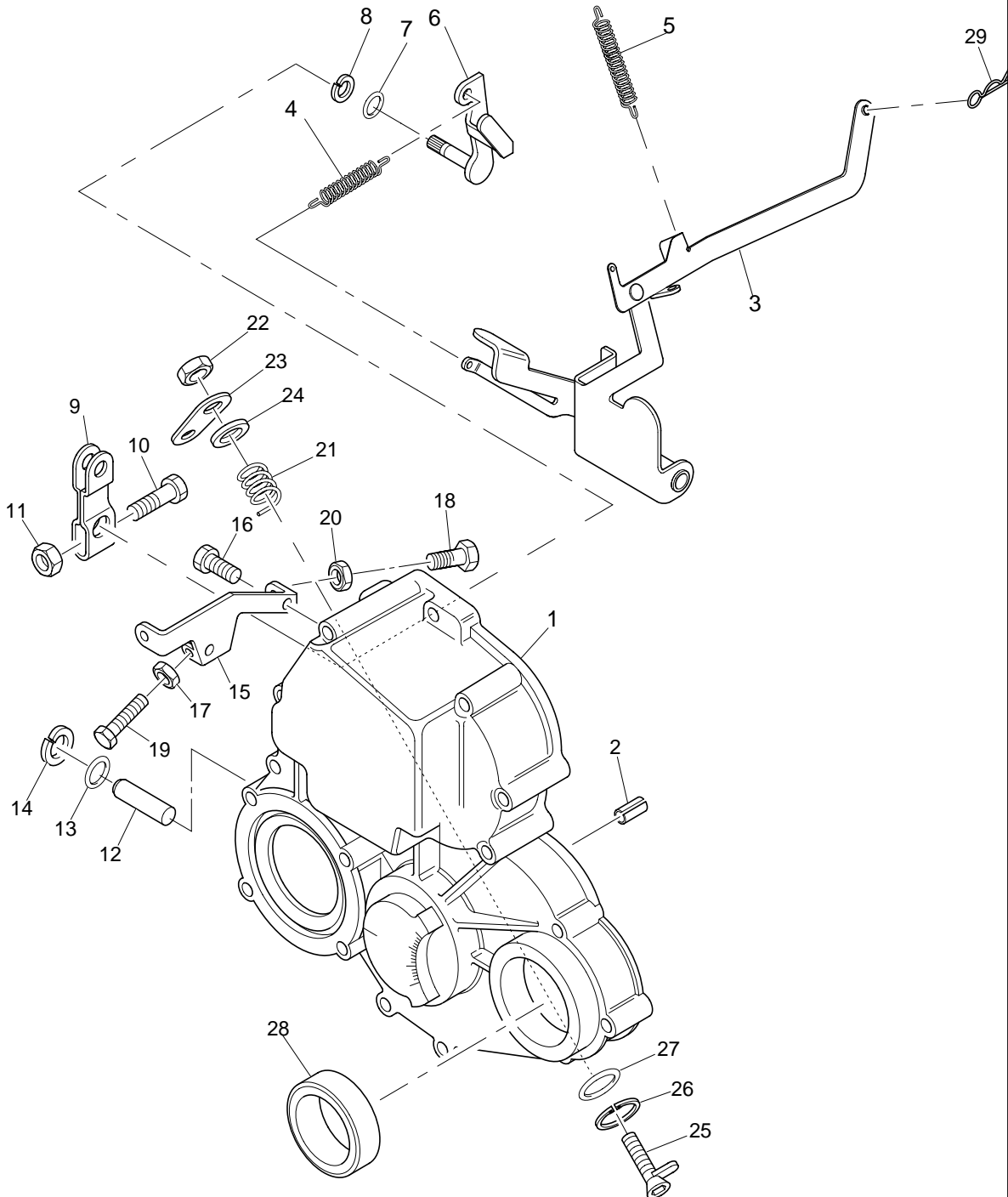
C1LH



Timing Case	Plate A
	C1LH

Item	Part No.	References	Qty.	Description	Notes
1		⊕ (FOLLOWING	1	TIMING GEAR CASE	
2	153-5962		3	SCREW	
3	165-2139		2	SCREW	
4	165-2140		5	SCREW	
5	153-5960		1	NUT	
6	215-2619		1	TIMING CASE JOINT	

C1LH



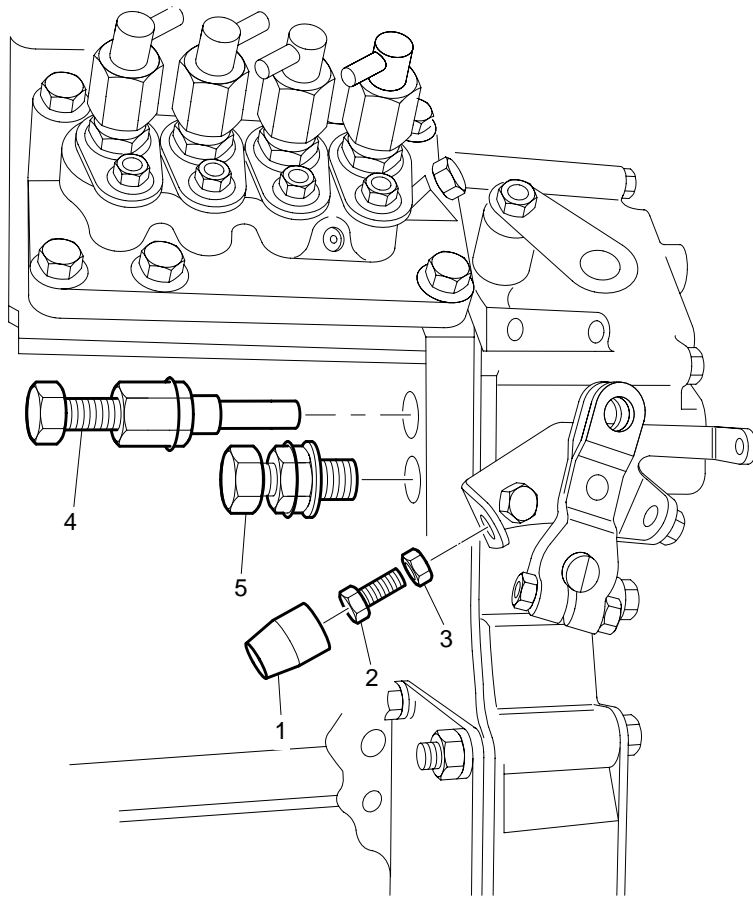
C1LH

Item	Part No.	References	Qty.	Description	Notes
1	238-1174		1	TIMING GEAR CASE	
2	└ (030300414)		1	PIN	
3	231-3821		1	LEVER	
4	183-3568		1	SPRING	
5	154-1641		1	SPRING	
6	154-1401		1	ARM	
7	(052100070)		1	O RING	
8	(036800008)		1	SNAPRING	
9	183-3570		1	LEVER	
10	(010110630)		1	SCREW	
11	153-5960		1	NUT	
12	197-7909		1	SHAFT	
13	(052100030)		2	O RING	
14	(036800005)		1	CIRCLIP	
15	154-1412		1	STAY	
16	(011310616)		2	SCREW	
17	133-5512		1	NUT	
18	158-7936		1	SCREW	
19	158-7936		1	SCREW	(A)
20	162-2207		1	NUT	
21	200-5995		1	SPRING	
22	(020700008)		2	NUT	
23	238-1266		1	LEVER	
24	(026200008)		1	WASHER	
25	154-1637		1	ARM	
26	(036800006)		1	CIRCLIP	
27	(052100050)		1	O RING	
28	153-7978		1	FRONT OIL SEAL	
29	153-7983		1	PIN	

Footnotes

(A) LOW IDLE SETTING

C1LH

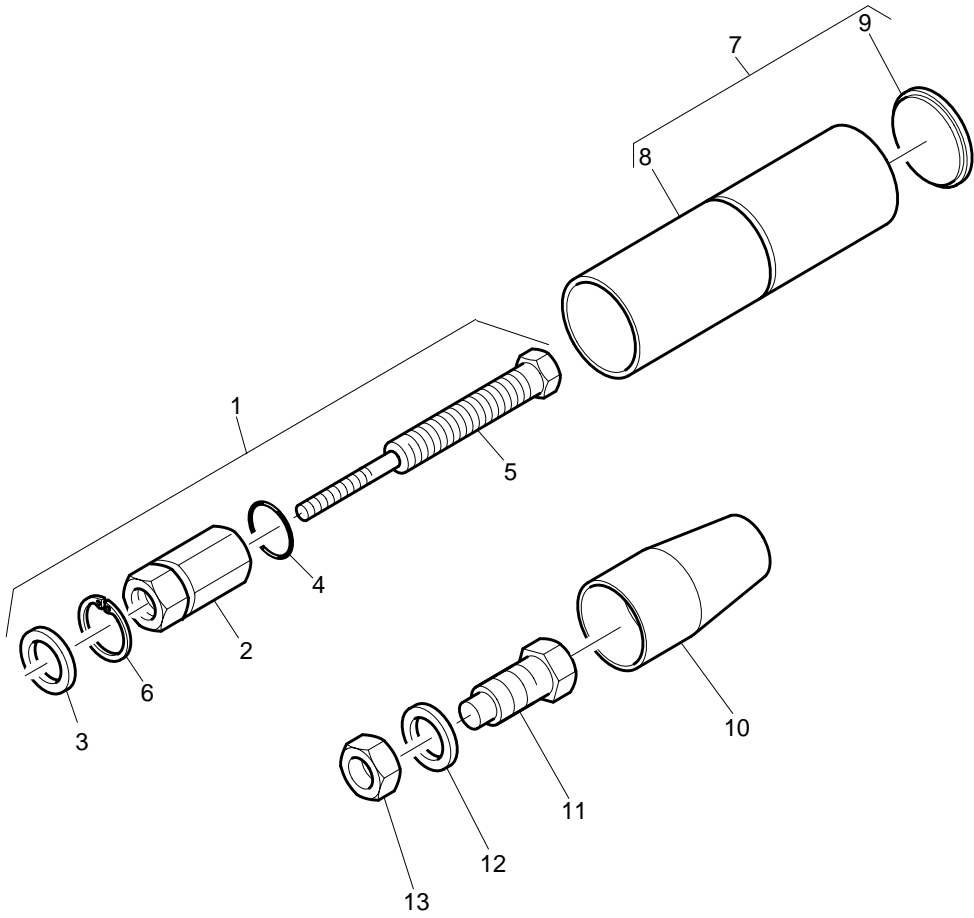


Timing Case	Plate C
	C1LH

Item	Part No.	References	Qty.	Description	Notes
1	139-5511		1	ANTI-TAMPER CAP	
2	158-7936		1	SCREW	(A)
3	162-2207		1	NUT	
4		⊕ (FOLLOWING	1	BOLT	
5		⊕ (FOLLOWING	1	BOLT ASSEMBLY	

Footnotes	
(A)	HIGH IDLE SETTING

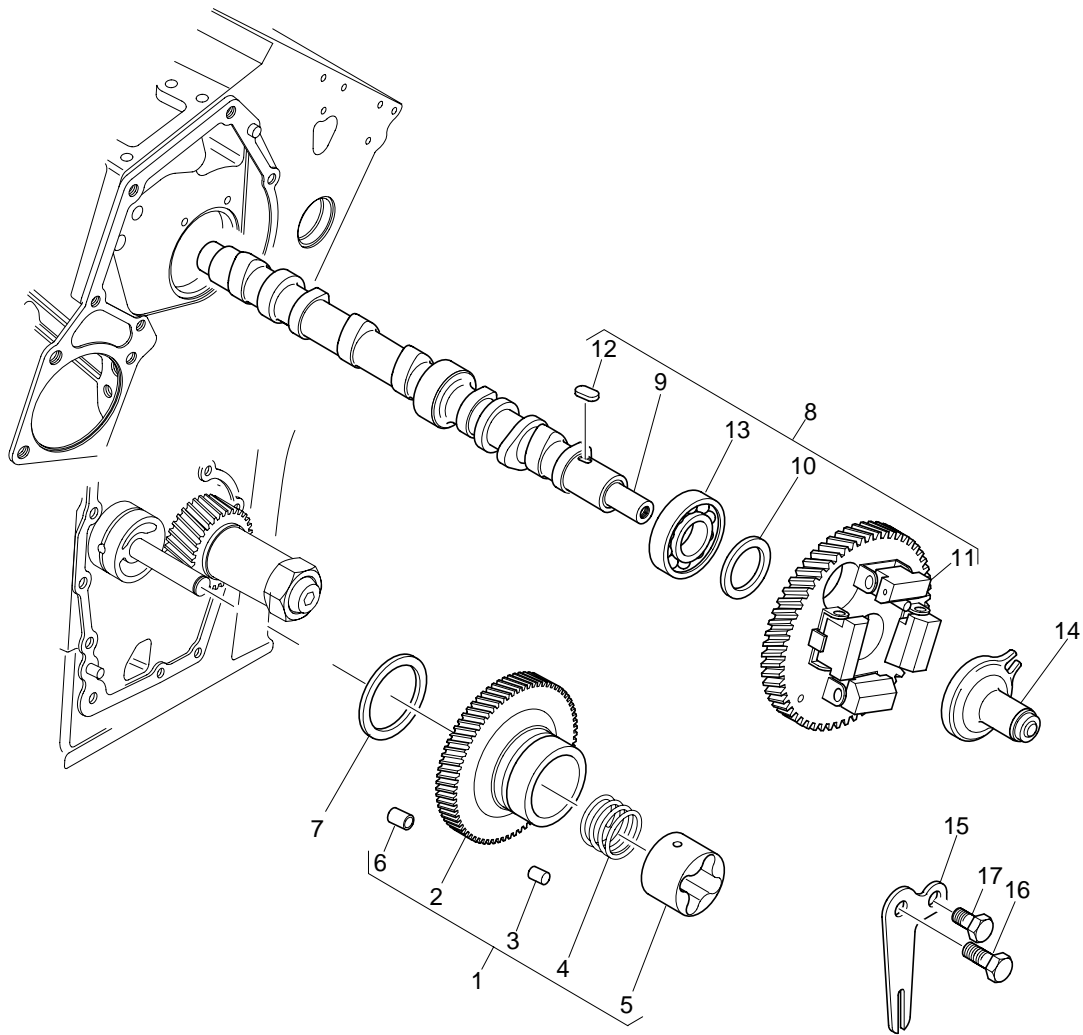
C1LH



C1LH

Item	Part No.	References	Qty.	Description	Notes
1	217-7111		1	BOLT ASSEMBLY	
2	(020109176)		1	NUT	
3	153-7987		1	WASHER	
4	(052109100)		1	O RING	
5	212-0745		1	BOLT	
6	212-0747		1	CIRCLIP	
7	211-7739		1	ANTI-TAMPER CAP	
8		⇒ 211-7739	1	ANTI-TAMPER CAP	
9	(064209053)		1	END CAP	
10	217-7115		1	ANTI-TAMPER CAP	
11	191-9296		1	BOLT	
12	153-7987		1	WASHER	
13	(020109177)		1	NUT	

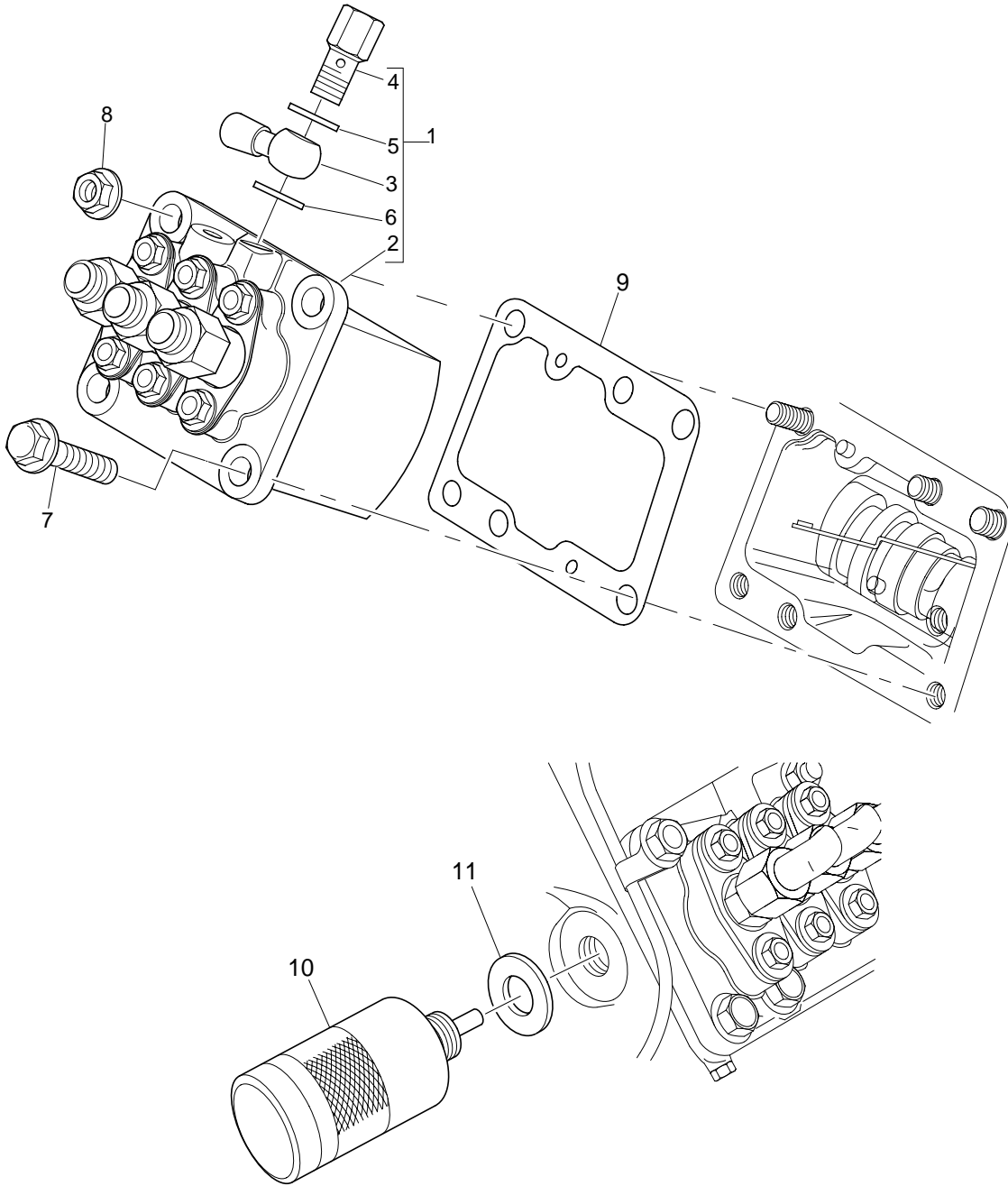
C1LH



C1LH

Item	Part No.	References	Qty.	Description	Notes
1	153-7984		1	GEAR - IDLER/OIL PUMP	
2		⇒ 153-7984	1	GEAR	
3	(030509018)		3	DOWEL	
4	154-1679		1	SPRING	
5		⇒ 153-7984	1	VANE	
6	154-1677		3	BUSH	
7	153-7985		1	WASHER	
8	(120026610)		1	CAMSHAFT ASSEMBLY	
9		⇒ (120026610)	1	CAMSHAFT	
10	183-3606		1	SPACER	
11	183-3645		1	CAMSHAFT GEAR	
12	(034100508)		1	WOODRUFF KEY	
13	(040109059)		1	BALL BEARING	
14	217-7174		1	TAPPET	
15	153-7990		1	PLATE	
16	(011310612)		1	SCREW	
17	153-7992		1	SCREW	

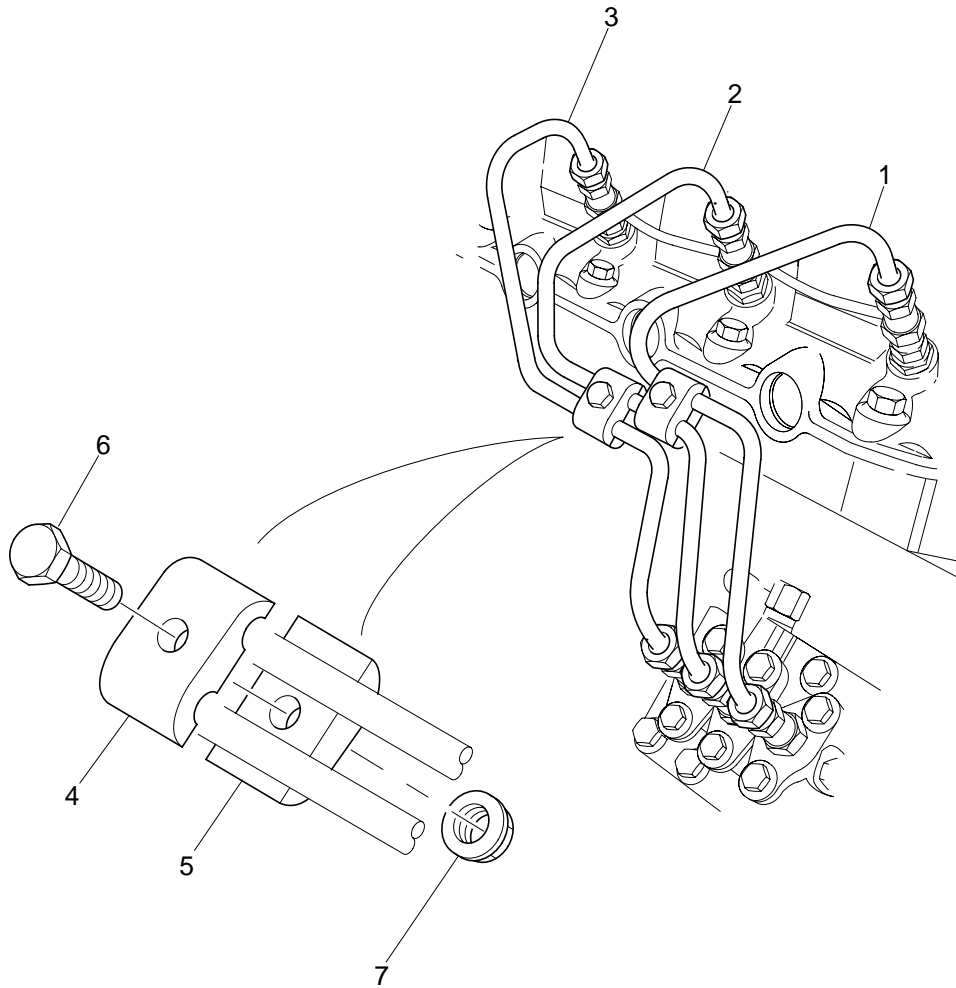
D1AH



D1AH

Item	Part No.	References	Qty.	Description	Notes
1	(131017940)		1	FUEL INJECTION PUMP	
2		⇒ (131017940)	1	FUEL INJECTION PUMP	
3	205-4728		1	CONNECTION	
4	205-4726		1	BOLT	
5	205-4727		1	GASKET	
6	205-4727		1	GASKET	
7	(011310620)		2	SCREW	
8	153-5960		2	NUT	
9		Ⓢ ⇒ (SERVICE OPTION)	1	SHIM	
10	238-1210		1	SOLENOID	
11	153-6412		1	WASHER	
Service Options					
9	153-6385	≡ (+)0.20MM	1	SHIM	
9	161-1432	≡ (+)0.28MM	1	SHIM	
9	161-1433	≡ (+)0.38MM	1	SHIM	
9	161-1435	≡ (+)0.90MM	1	SHIM	
9	161-1434	≡ (+)0.49MM	1	SHIM	

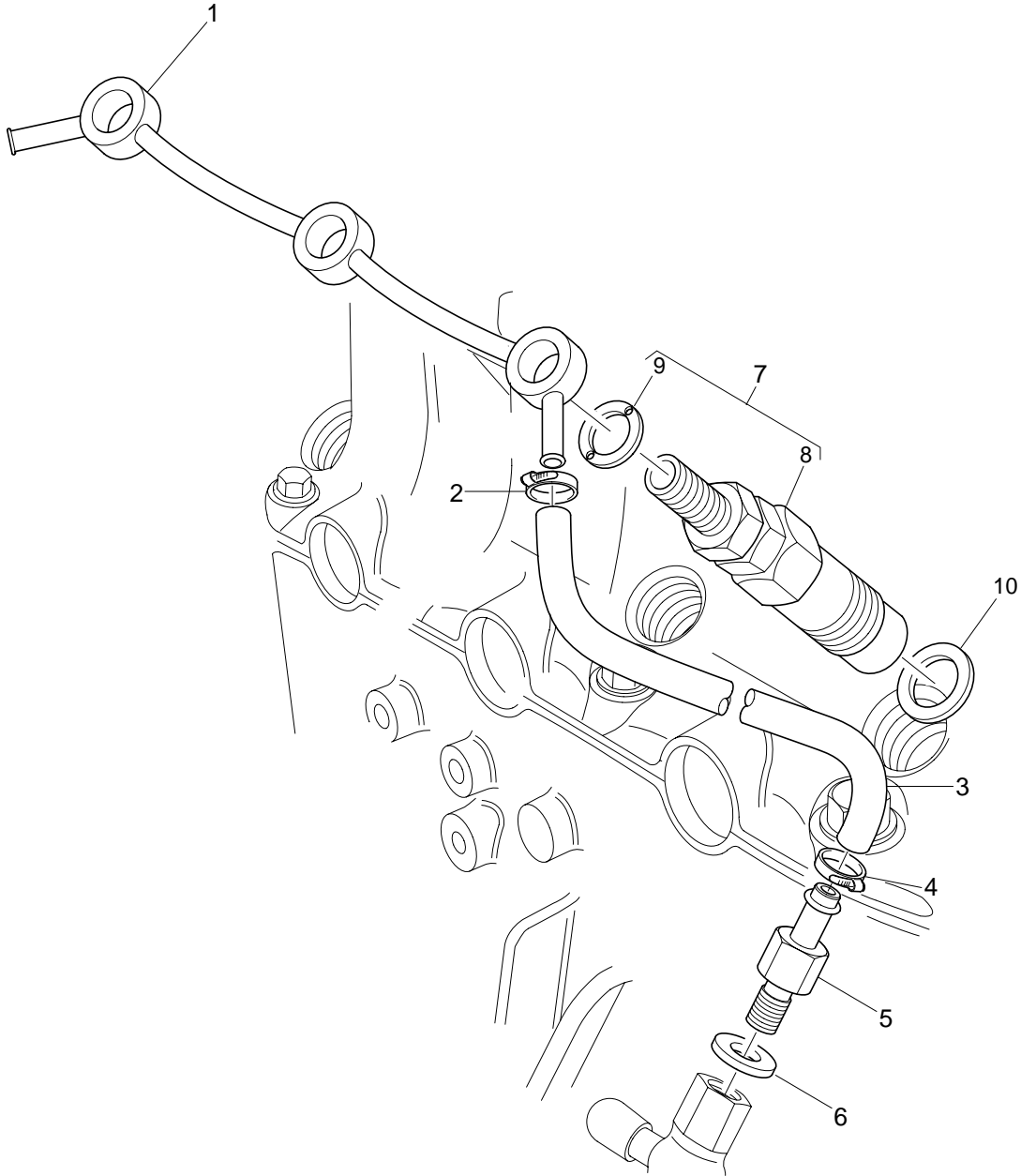
D1AH



High Pressure Fuel Pipes**Plate A****D1AH**

Item	Part No.	References	Qty.	Description	Notes
1	231-7702		1	FUEL INJECTION PIPE - NO 1	
2	231-7703		1	FUEL INJECTION PIPE - NO 2	
3	231-7704		1	FUEL INJECTION PIPE - NO 3	
4	153-6393		2	DAMPER	
5	153-6393		2	DAMPER	
6	(010110625)		2	SCREW	
7	153-5960		2	NUT	

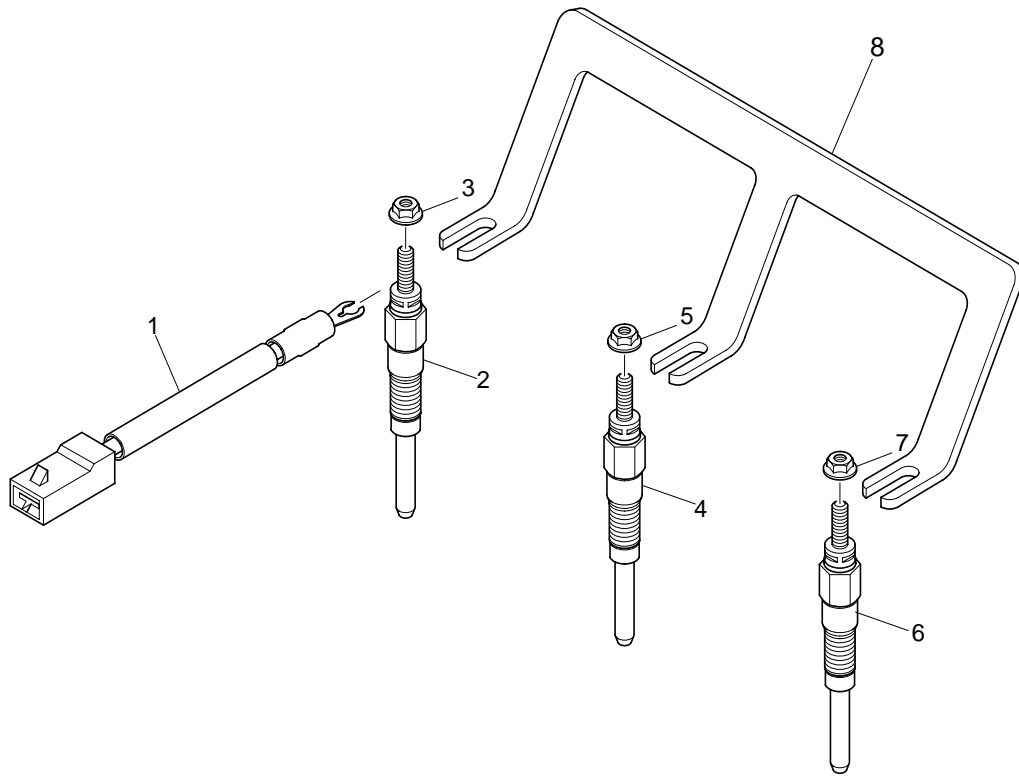
D1AH



D1AH

Item	Part No.	References	Qty.	Description	Notes
1	231-7739		1	ATOMISER LEAK-OFF PIPE	
2	(067200078)		1	CLIP	
3	(068209026)		1	FUEL INJ PUMP RETURN PIPE	
4	(067200078)		1	CLIP	
5	232-0290		1	CONNECTOR	
6	153-6415		2	WASHER	
7	(131406470)		3	ATOMISER	
8	┌	⇒ (131406470)	1	BODY	
9	└ 232-0793		1	WASHER	
10	154-2716		3	GASKET	

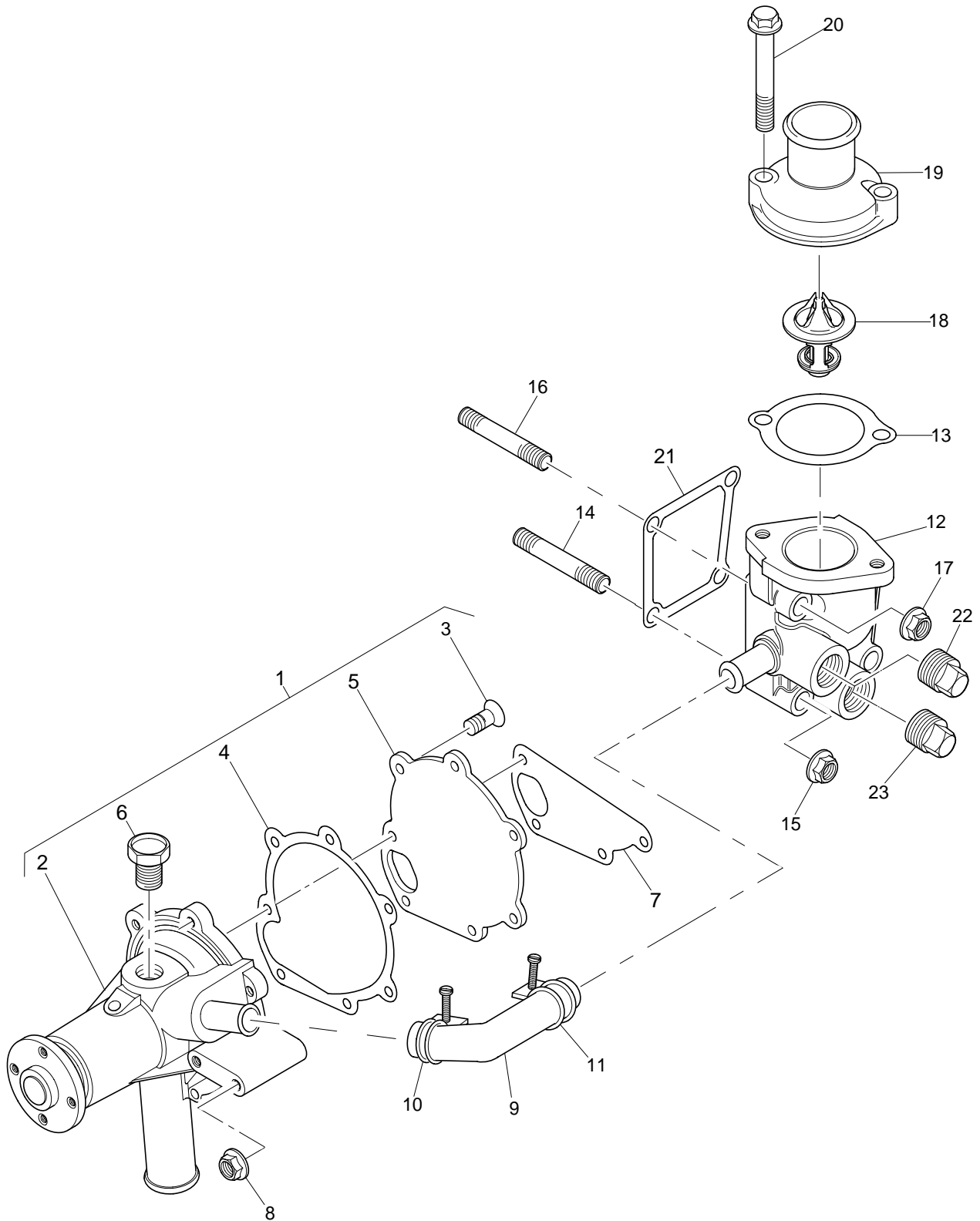
E1AH



E1AH

Item	Part No.	References	Qty.	Description	Notes
1	155-8075		1	CABLE	
2	231-2836		1	GLOW PLUG	
3	(023100004)		1	NUT	
4	231-2836		1	GLOW PLUG	
5	(023100004)		1	NUT	
6	231-2836		1	GLOW PLUG	
7	(023100004)		1	NUT	
8	231-2841		1	CONNECTOR	

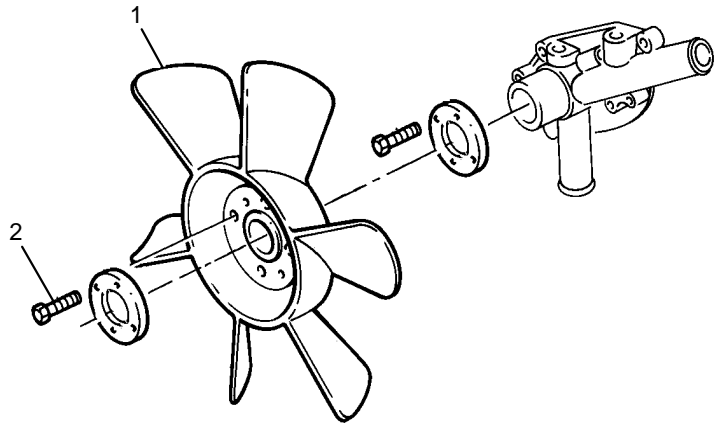
F1AH



F1AH

Item	Part No.	References	Qty.	Description	Notes
1	(145017840)		1	WATER PUMP	
2		⇒ (145017840)	1	WATER PUMP	
3		⇒ (145017840)	3	SCREW	
4		⇒ (145017840)	1	JOINT	
5		⇒ (145017840)	1	PLATE	
6		⇒ (145017840)	1	PLUG	
7	231-7853		1	WATER PUMP JOINT	
8	153-5960		1	NUT	
9	154-1823		1	HOSE	
10	154-1824		1	CLIP	
11	154-1824		1	CLIP	
12	(145216510)		1	THERMOSTAT HOUSING	
13	231-7858		1	HOUSING JOINT	
14	(012110660)		2	STUD	
15	153-5960		2	NUT	
16	(010109440)		2	STUD	
17	153-5960		2	NUT	
18	231-7859		1	THERMOSTAT	
19	(145226460)		1	THERMOSTAT HOUSING	
20	153-5962		1	SCREW	
21	231-7861		1	THERMOSTAT HOUSING JOINT	
22	217-7381		1	BLANKING PLUG	
23	(064510060)		1	PLUG	

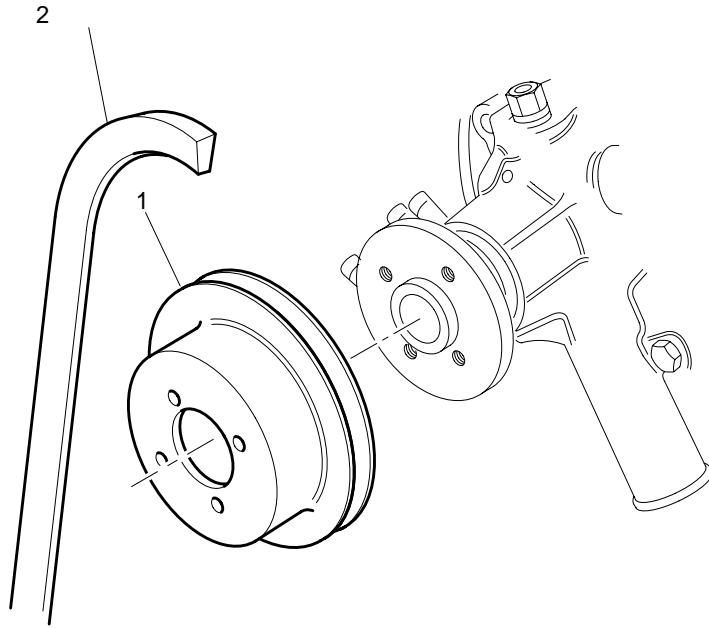
F4AK



Cooling System		Plate E
		F4AK

Item	Part No.	References	Qty.	Description	Notes
1	183-3539		1	FAN	
2	(011310614)		4	SCREW	

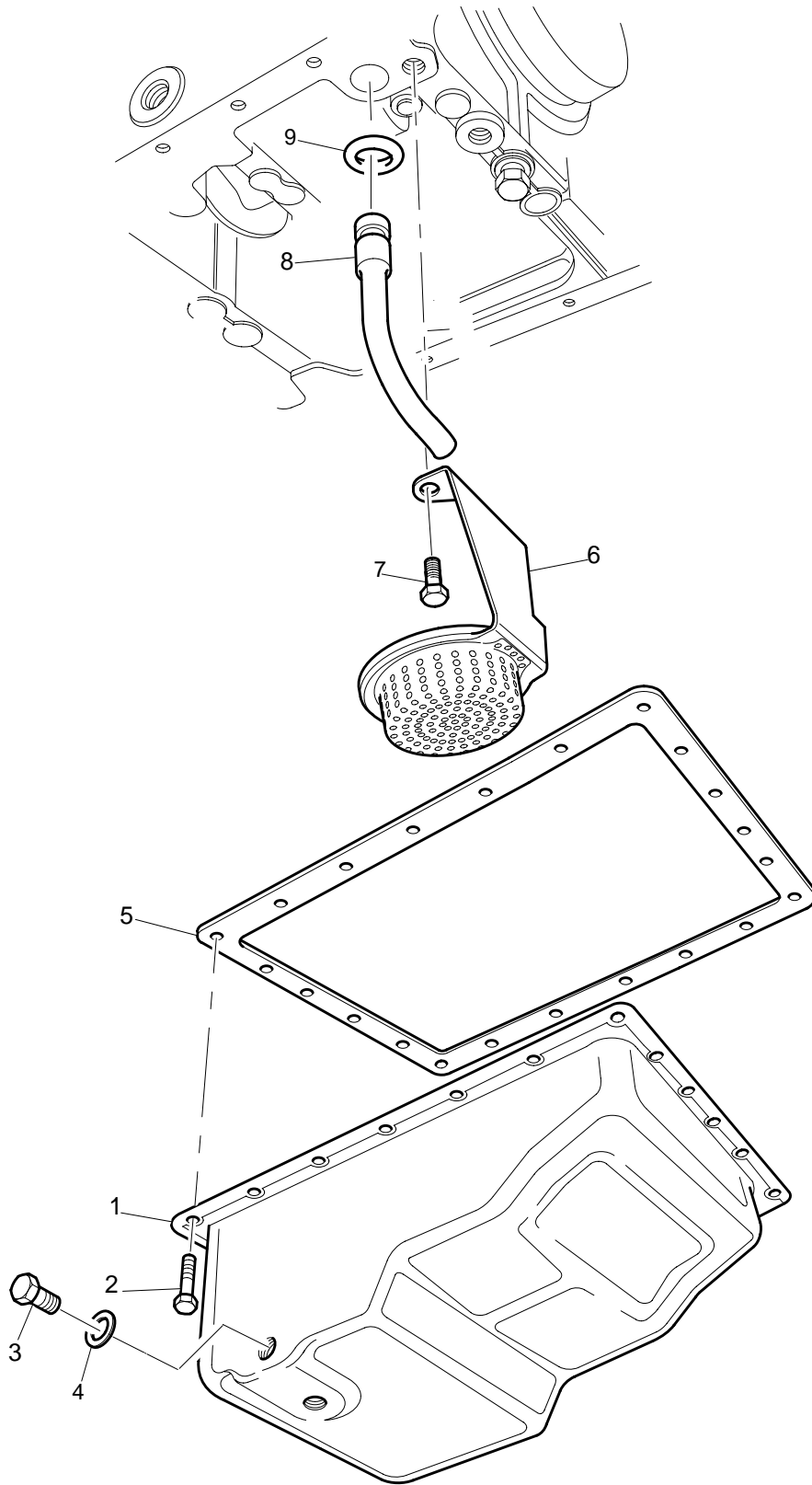
F8LH



Pulleys		Plate A
		F8LH

Item	Part No.	References	Qty.	Description	Notes
1	153-5963		1	WATERPUMP PULLEY	
2	(080109049)		1	FANBELT	

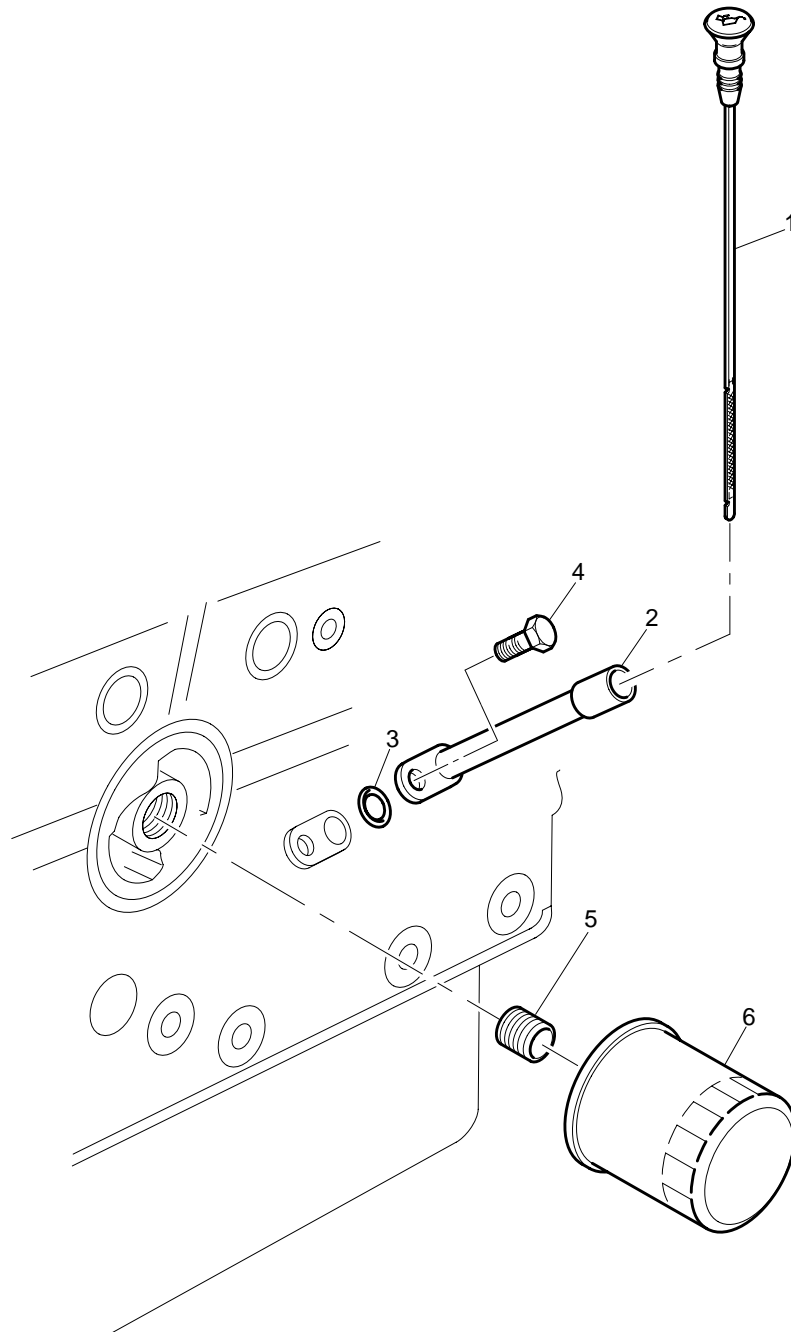
G1KH



Sump	Plate A
G1KH	

Item	Part No.	References	Qty.	Description	Notes
1	153-6830		1	SUMP	
2	153-6833		20	SCREW	
3	165-3605		2	PLUG	
4	153-6832		2	WASHER	
5	219-4669		1	GASKET	
6	153-6837		1	STRAINER	
7	(011310612)		2	SCREW	
8	180-6117		1	OIL PIPE	
9	153-6835		1	O RING	

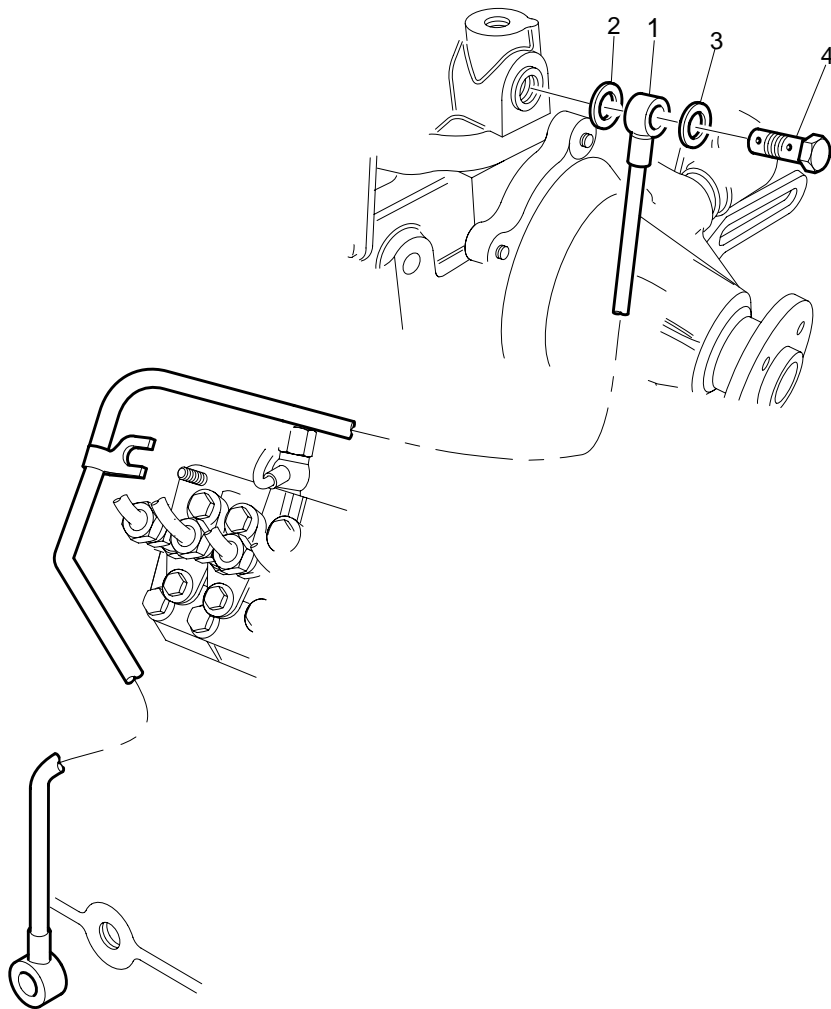
G1KH



Oil Filter	Plate A
G1KH	

Item	Part No.	References	Qty.	Description	Notes
1	(198416820)		1	DIPSTICK	
2	229-5150		1	DIPSTICK TUBE	
3	153-6841		2	O RING	
4	(011310612)		1	SCREW	
5	153-6879		1	CONNECTION	
6	220-1523		1	OIL FILTER CANISTER	

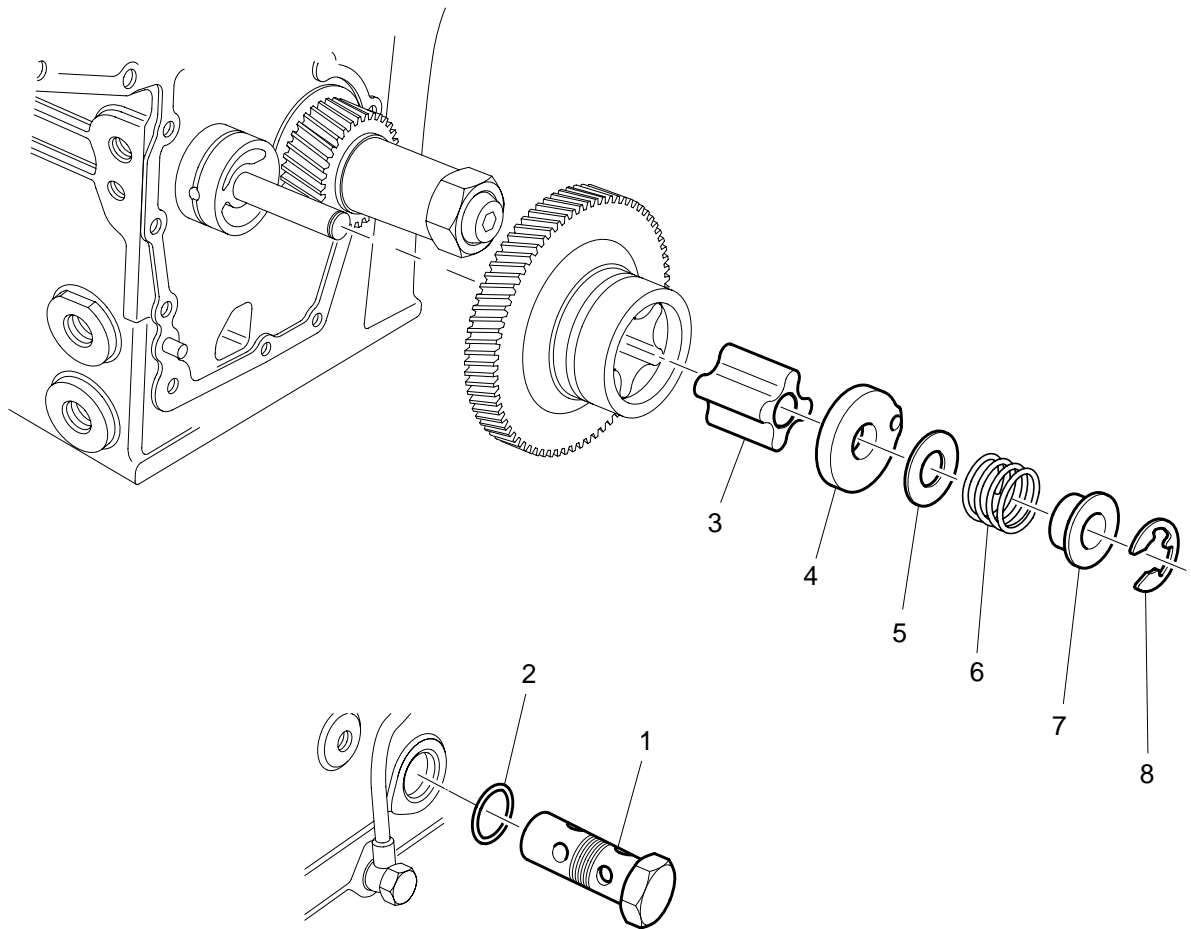
G1KH







G1KH

Item	Part No.	References	Qty.	Description	Notes
1	231-7864		1	OIL PIPE	
2	153-5936		2	WASHER	
3	153-5936		2	WASHER	
4	153-6881		1	BOLT	

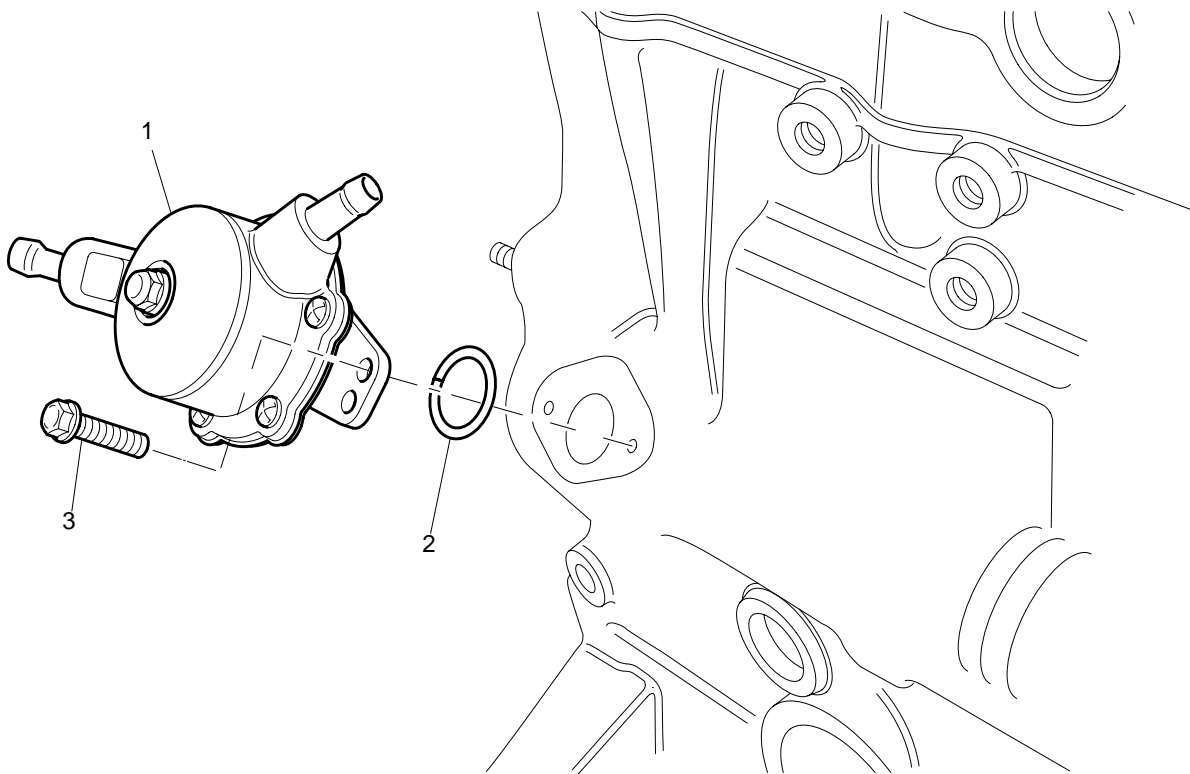
G1KH



G1KH

Item	Part No.	References	Qty.	Description	Notes
1	154-1942		1	RELIEF VALVE	
2	153-6853		1	O RING	
3	153-6847		1	ROTOR	
4	153-6848		1	COVER	
5		⇒ (SERVICE OPTION)	1	SHIM	
6	153-6849		1	SPRING	
7	153-6850		1	COLLAR	
8	153-6851		1	CIRCLIP	
Service Options					
5	160-4150	 (+)0.10MM	1	SHIM	
5	160-4151	 (+)0.15MM	1	SHIM	
5	160-4152	 (+)0.20MM	1	SHIM	
5	160-4153	 (+)0.50MM	1	SHIM	

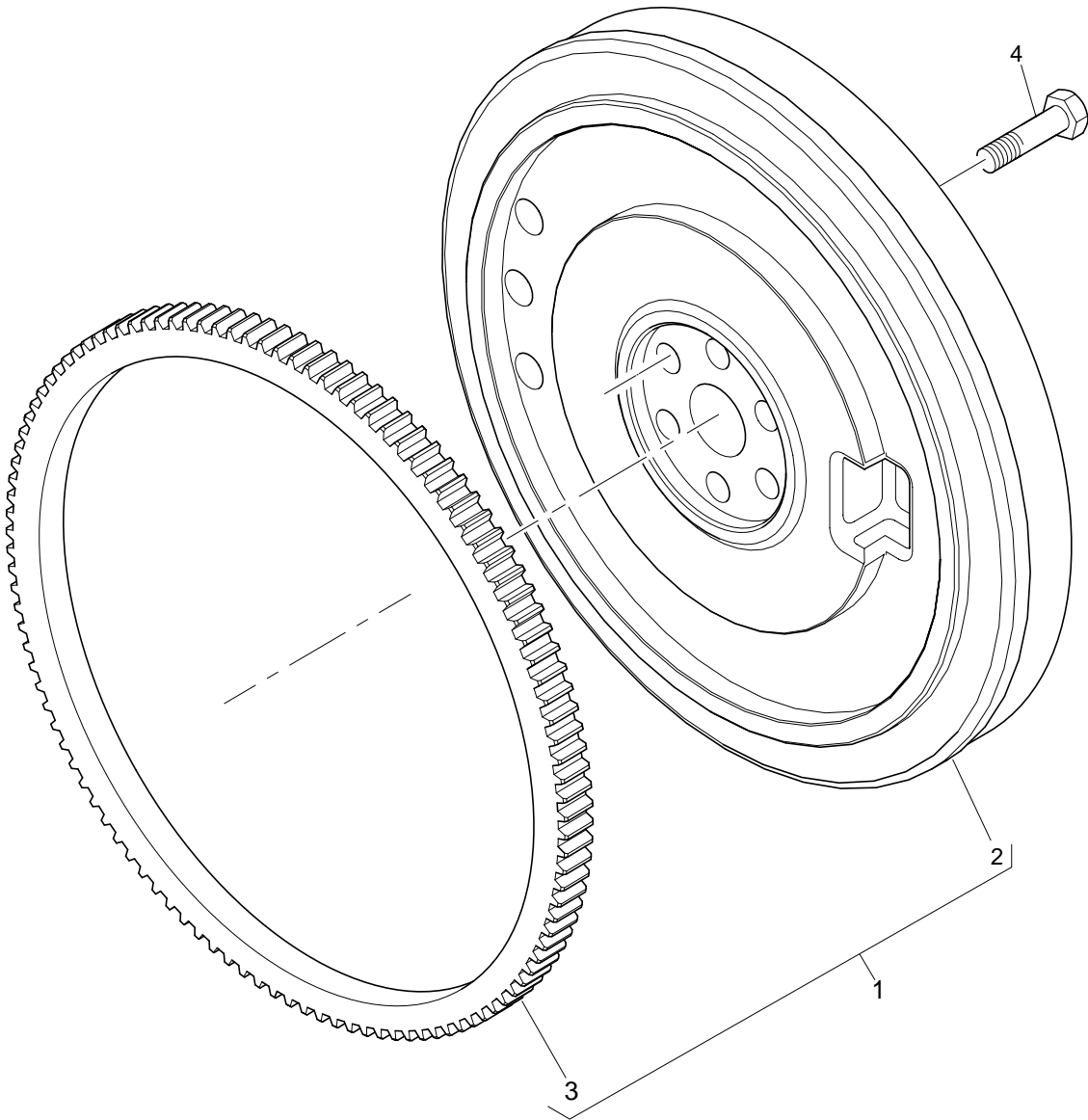
H1JK



Lift Pump	Plate A
	H1JK

Item	Part No.	References	Qty.	Description	Notes
1	176-7712		1	LIFT PUMP	
2	176-7719		1	O RING	
3	6I-0846		2	SCREW	

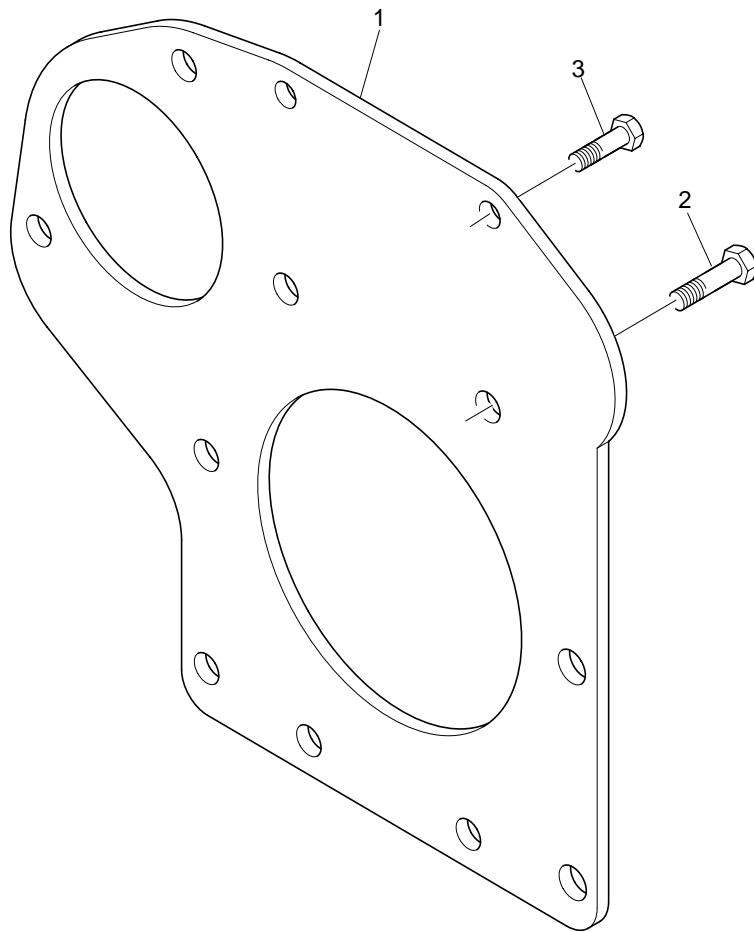
JICH



J1CH

Item	Part No.	References	Qty.	Description	Notes
1	153-6864		1	FLYWHEEL	
2		⇒ 153-6864	1	FLYWHEEL	
3	153-6865		1	STARTER RING	
4	153-6866		6	SCREW	

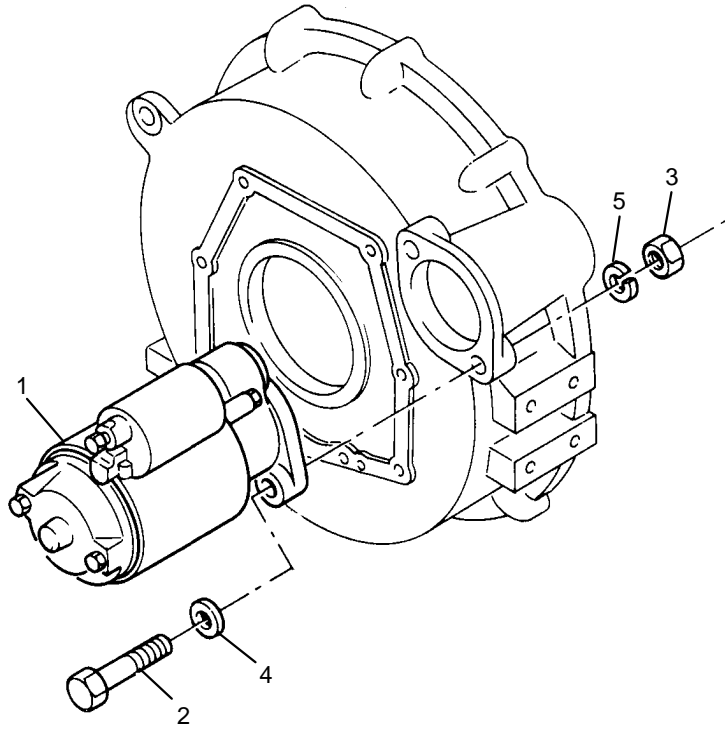
JICH



J1CH

Item	Part No.	References	Qty.	Description	Notes
1	(TPN768)		1	BACKPLATE	
2	153-6868		8	SCREW	
3	153-6375		2	SCREW	

K1PK

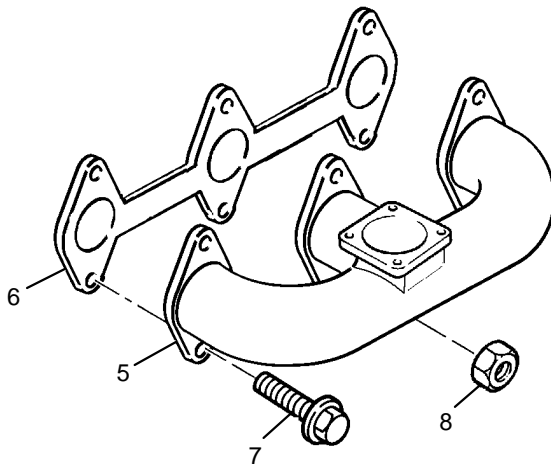
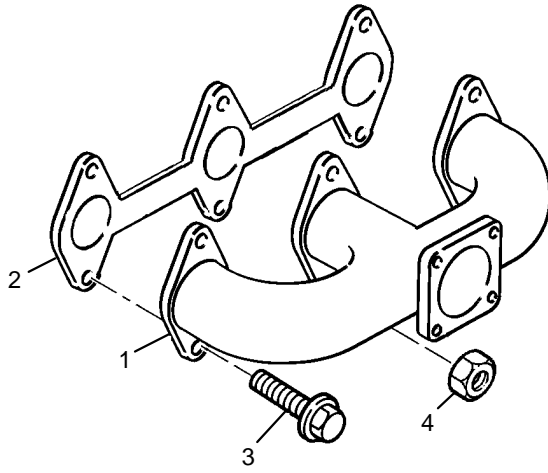


Starter Group	Plate B
K1PK	

Item	Part No.	References	Qty.	Description	Notes
1	138-6754	●○ 138-7454	1	STARTERMOTOR	(A) 1.4 KW
2	(010311045)		2	BOLT	(B)
3	155-8085		2	NUT	
4	154-1399		2	WASHER	
5	154-2403		2	WASHER	

Footnotes	
(A)	BREAKDOWN HAS YET TO BE ADVISED.
(B)	STARTER MOTOR

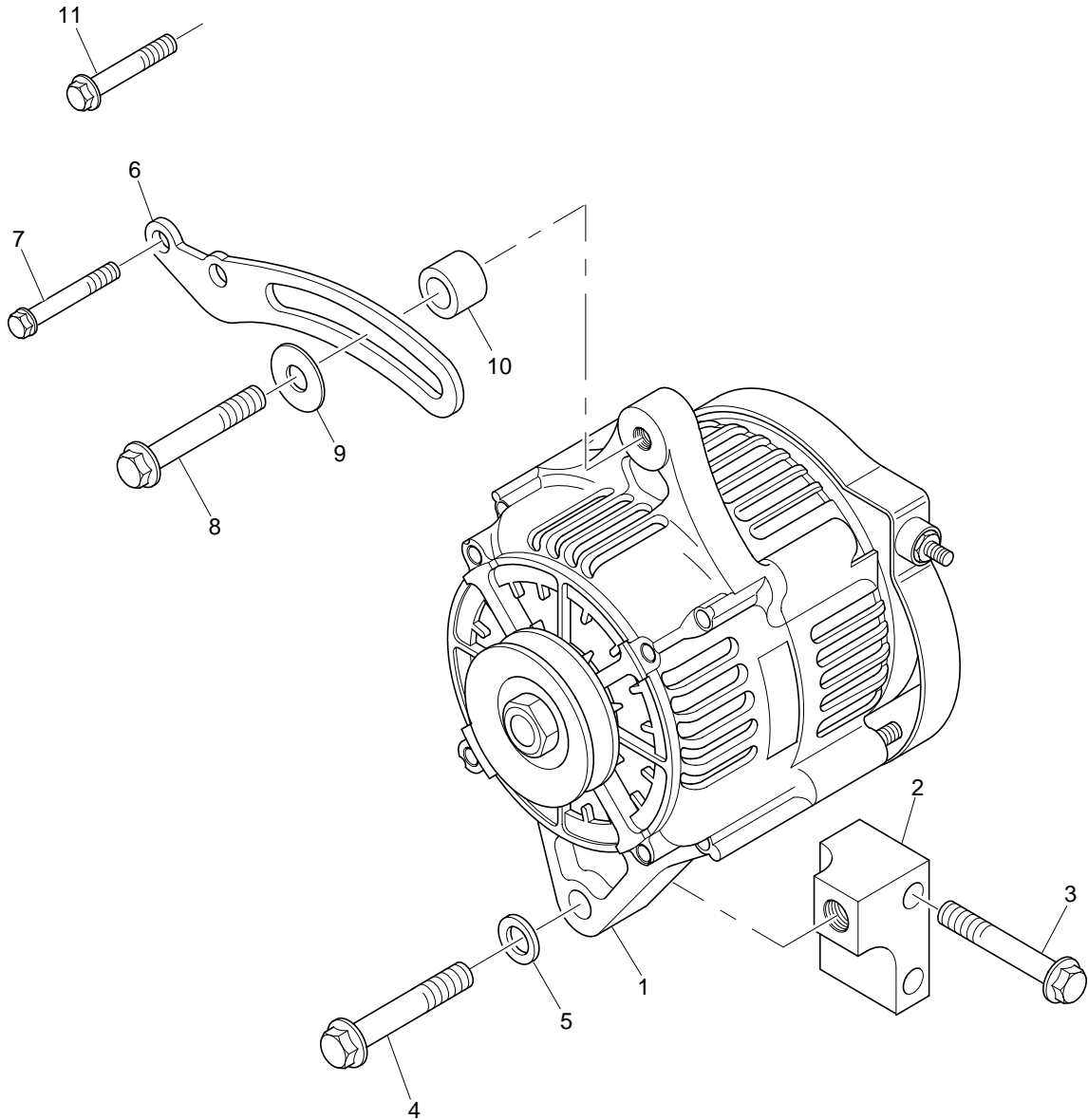
L1CK



Exhaust Manifold Group**Plate D****L1CK**

Item	Part No.	References	Qty.	Description	Notes
5	183-4332		1	EXHAUST MANIFOLD	
6	153-6860		1	EXHAUST MANIFOLD GASKET	
7	153-6861		4	SCREW	
8	153-5960		2	NUT	

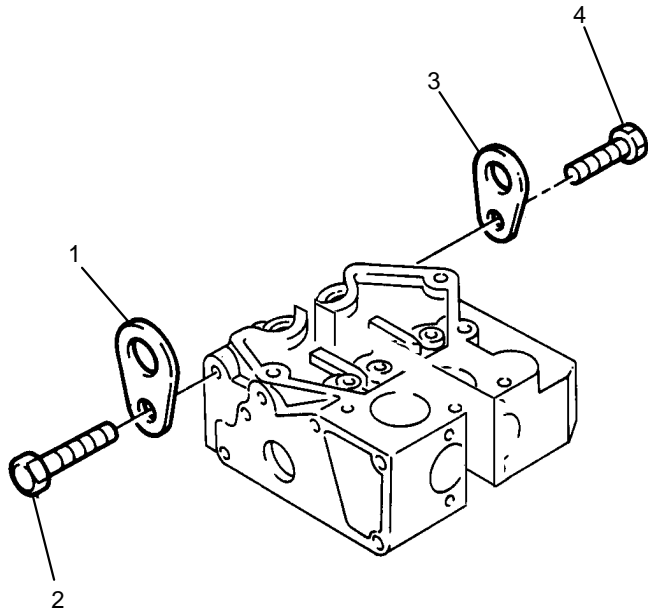
N1BH



Alternator	Plate A
	N1BH

Item	Part No.	References	Qty.	Description	Notes
1	183-4029		1	ALTERNATOR	
2	183-4033		1	BRACKET	
3	(011510855)		2	SCREW	
4	(011511040)		1	SCREW	
5	154-1399		1	WASHER	
6	183-4030		1	LEVER	
7	165-2140		2	SCREW	
8	(011510840)		1	SCREW	
9	168-9002		1	WASHER	
10	183-4031		1	SPACER	
11	154-1244		2	SCREW	

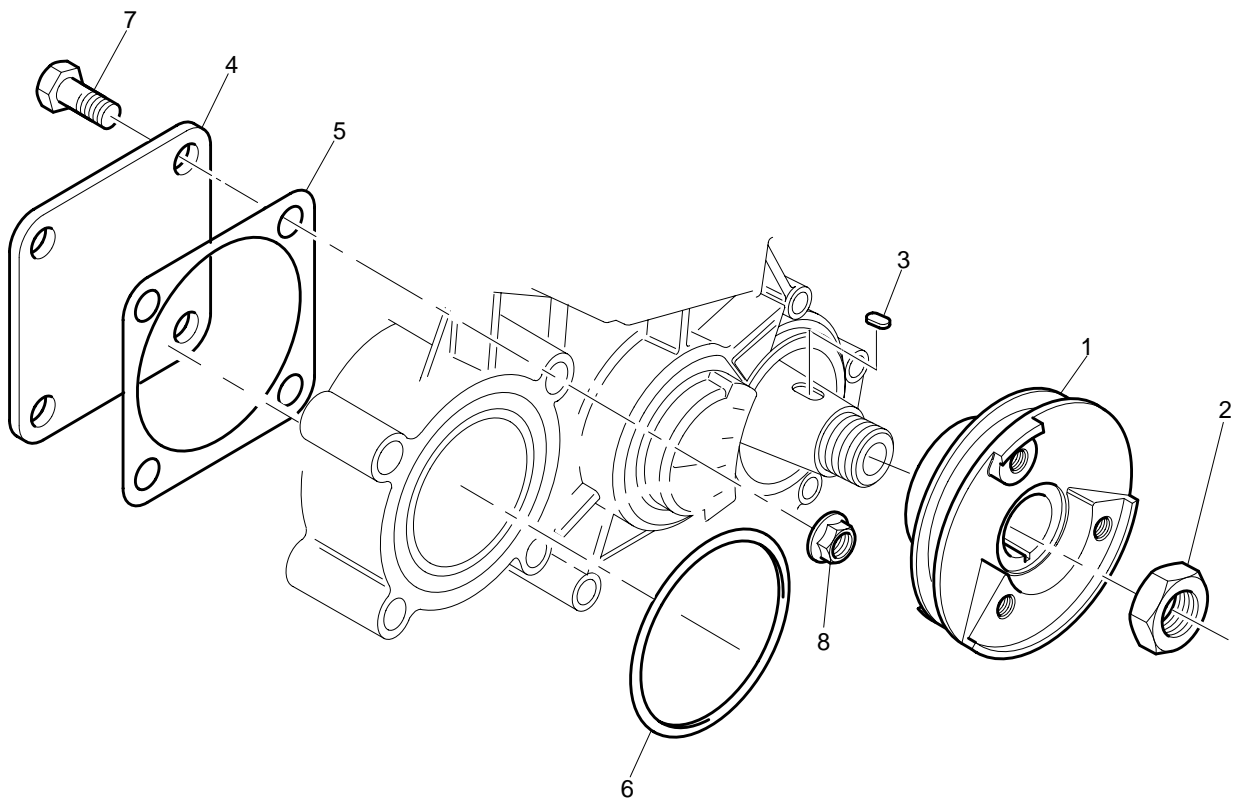
O1AK



O1AK

Item	Part No.	References	Qty.	Description	Notes
1	153-6374		1	PLATE	
2	153-6375		1	SCREW	
3	153-6374		1	PLATE	
4	153-6375		1	SCREW	

PIPK



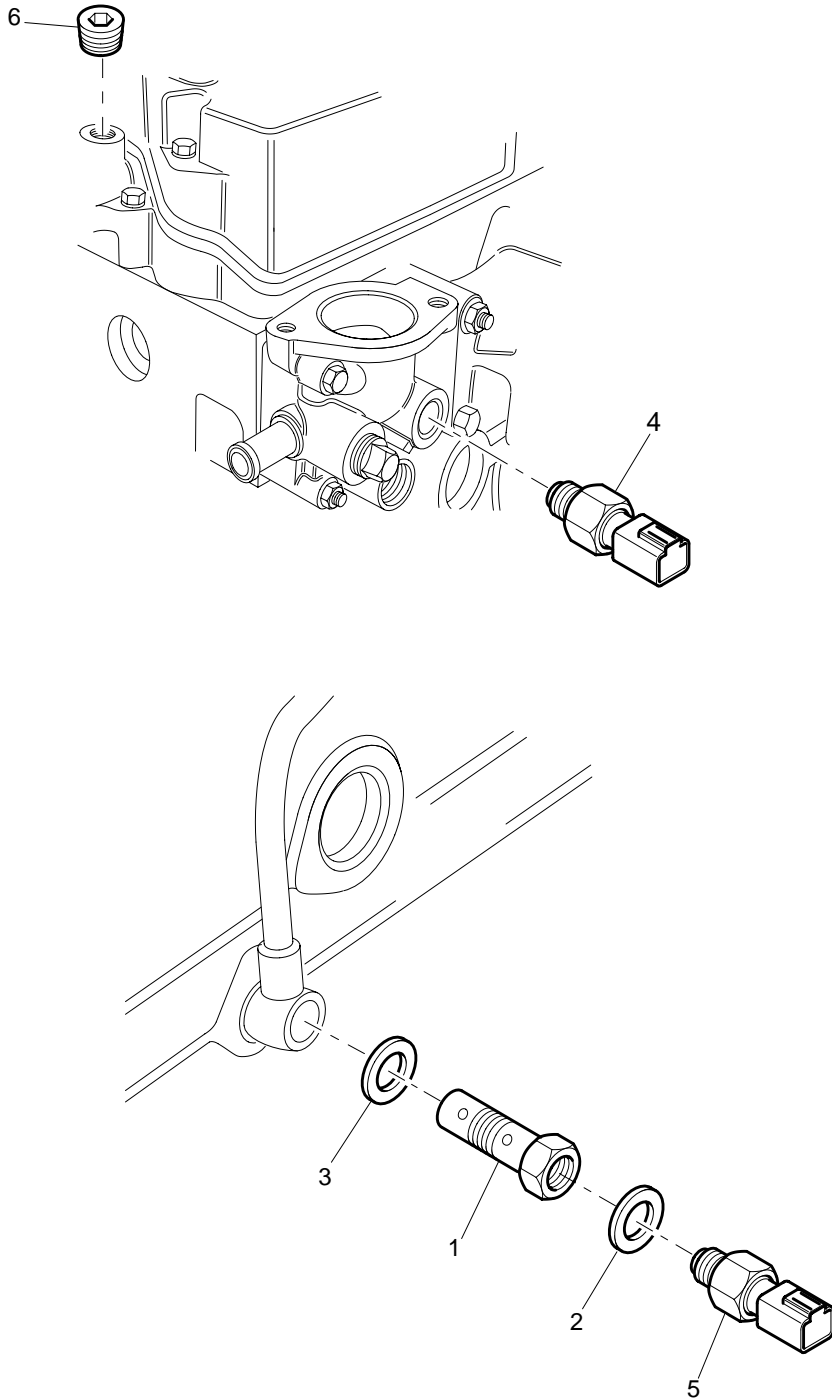
Auxiliary Drive

Plate A

PIPK

Item	Part No.	References	Qty.	Description	Notes
1	177-3308		1	CRANKSHAFT PULLEY	
2	(020800018)		1	NUT	
3	(034100508)		1	WOODRUFF KEY	
4	154-1882		2	PLATE	
5	153-6494		1	JOINT	
6	(052300600)		1	O RING	
7	(010310865)		4	BOLT	
8	153-5592		4	NUT	

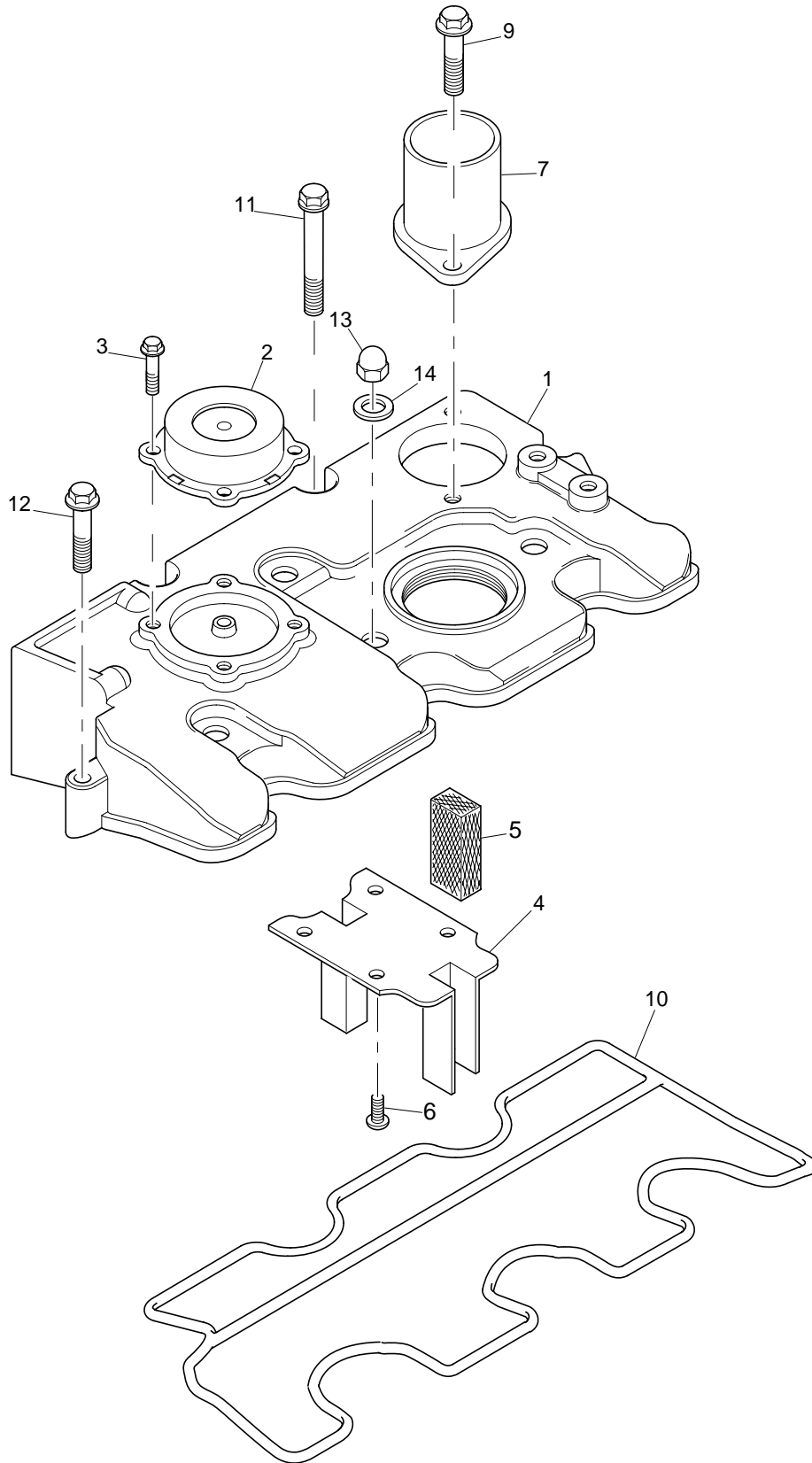
Q1DH



Q1DH

Item	Part No.	References	Qty.	Description	Notes
1	217-5792		1	ADAPTOR	
2	153-5936		1	WASHER	
3	153-5936		1	WASHER	
4	(TPN485)		1	OIL PRESSURE SWITCH	
5	(385720510)		1	WATER TEMPERATURE SENSOR	
6	(064400010)		1	CORE PLUG	

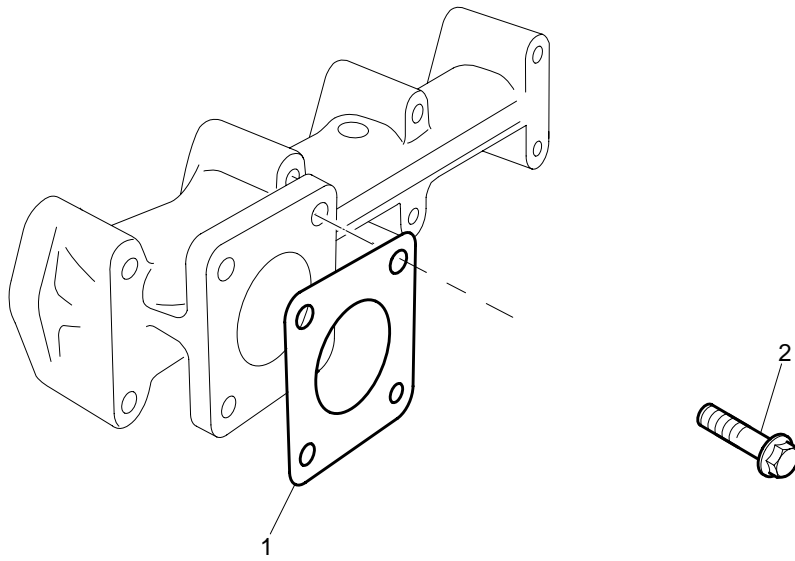
S1BH



S1BH

Item	Part No.	References	Qty.	Description	Notes
1	238-1330		1	CYLINDER HEAD COVER	
2	217-5859		1	BREATHER VALVE	
3	217-5860		4	METRIC BOLT	
4	231-3010		1	RETAINING PLATE	
5	153-5939		1	GAUZE	
6	217-5862		1	SCREW	
7	231-3013		1	AIR INTAKE PIPE	
8	231-3014		1	GASKET	
9	(011310620)		2	SCREW	
10	231-3020		1	GASKET	
11	165-2139		3	SCREW	
12	153-6861		2	SCREW	
13	153-5934		3	NUT	
14	153-5936		3	WASHER	

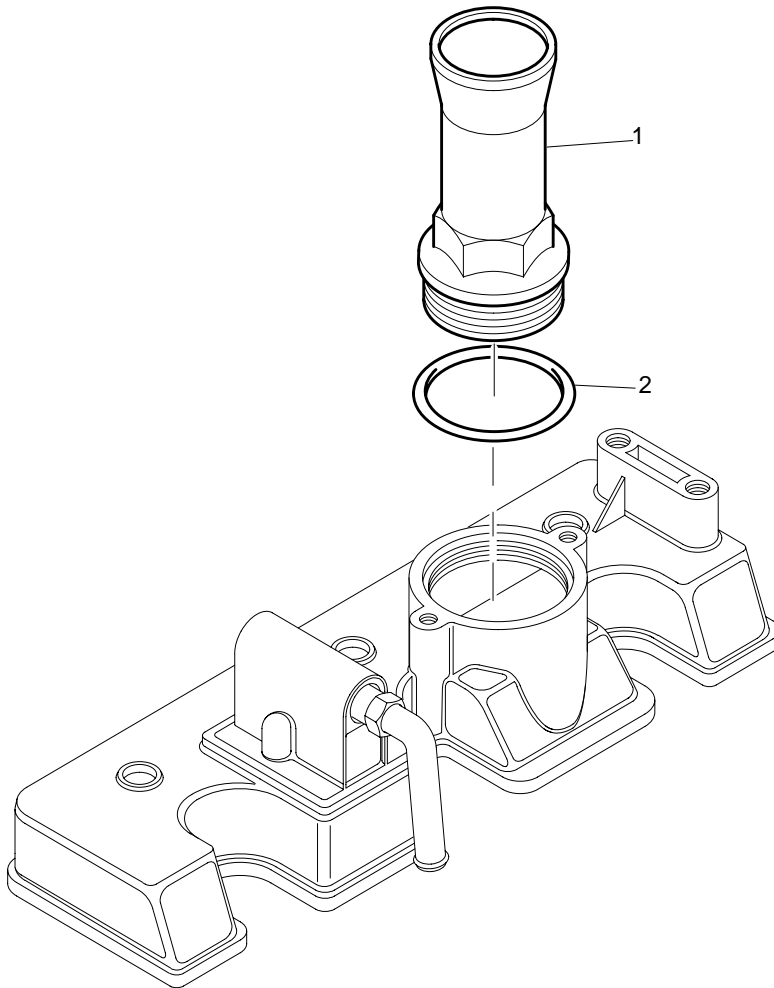
Z1AK



Exhaust	Plate A
	Z1AK

Item	Part No.	References	Qty.	Description	Notes
1	153-7920		1	JOINT	
2	168-9001		4	SCREW	

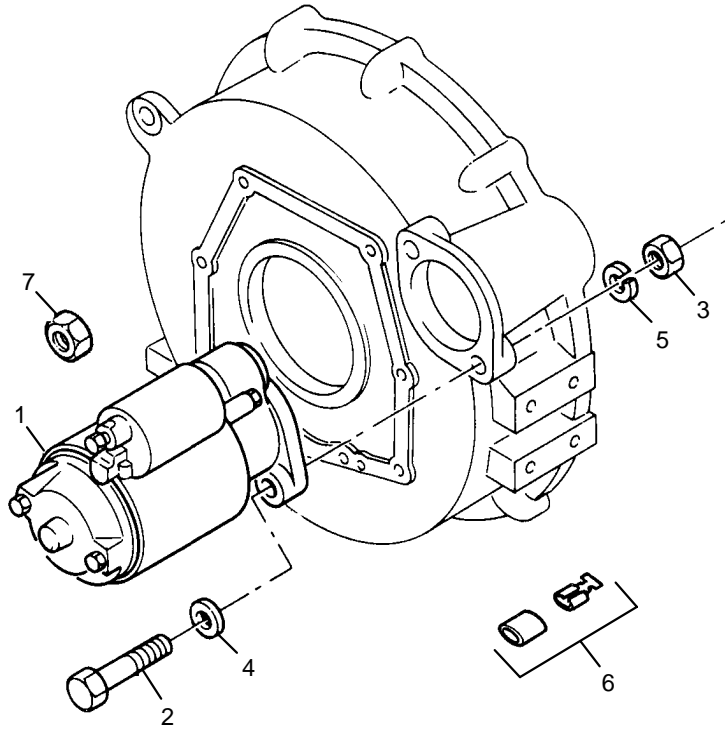
ZINK



Filler	Plate A
	Z1NK

Item	Part No.	References	Qty.	Description	Notes
1	205-7713		1	FILLER	
2	(052100420)		1	SEAL	

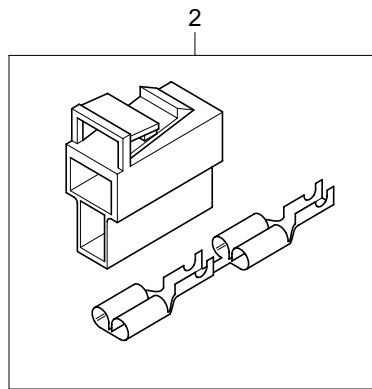
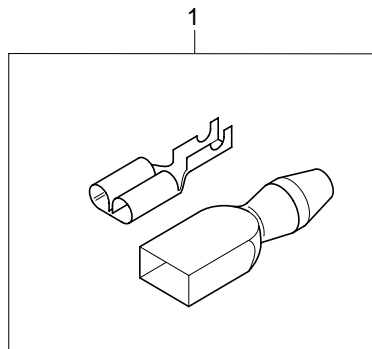
Z3CK



Miscellaneous		Plate E
		Z3CK

Item	Part No.	References	Qty.	Description	Notes
7	(020900008)		1	NUT	

Z3EH

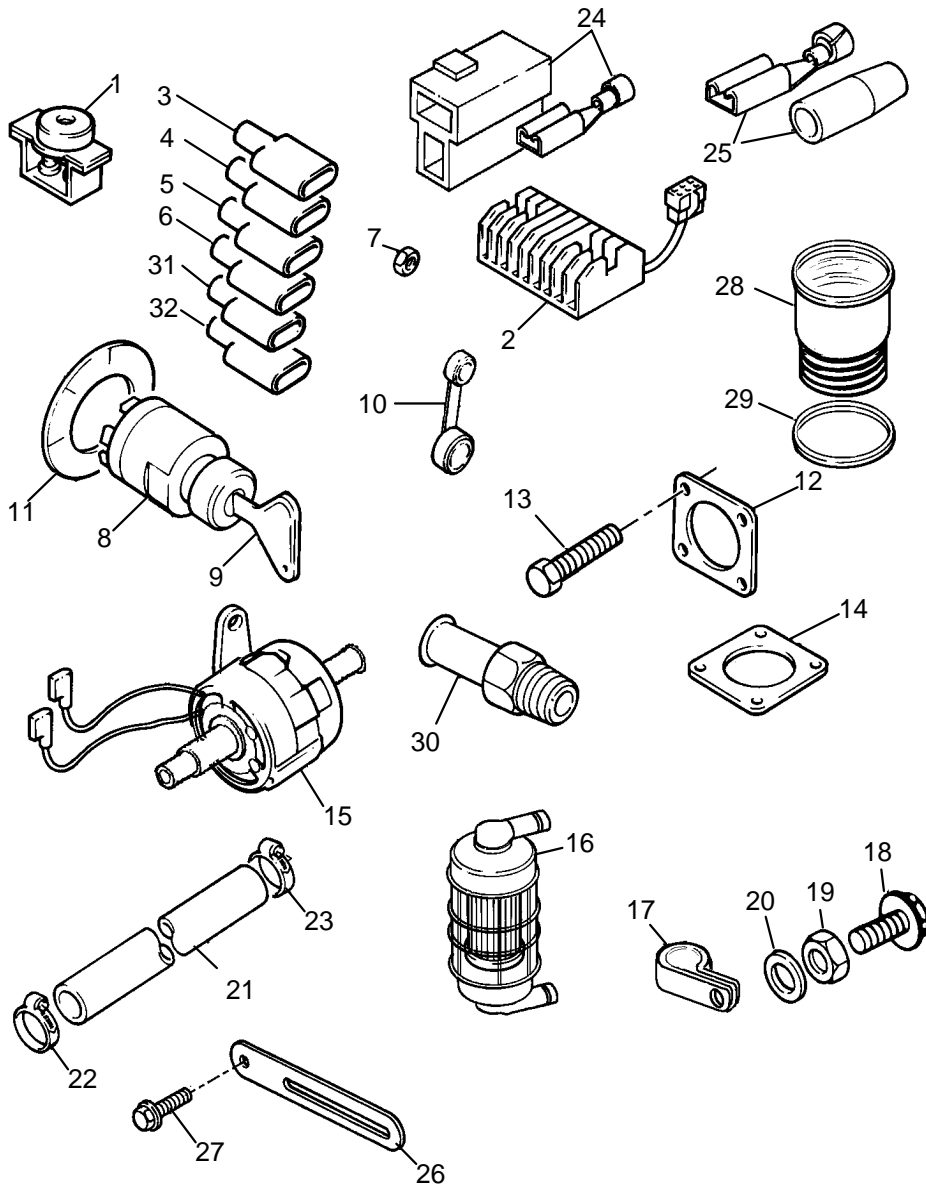


Electrical	Plate A
	Z3EH

Item	Part No.	References	Qty.	Description	Notes
1	197-8555		1	CONNECTION	(A)
2	183-4037		1	CONNECTOR	

Footnotes	
(A)	STARTER MOTOR

Z3EK



Miscellaneous		Plate A
		Z3EK

Item	Part No.	References	Qty.	Description	Notes
1	197-8547		1	LAMP	

Description	Part No.	Page	Description	Part No.	Page
ADAPTOR	217-5792	71	BREATHER VALVE	217-5859	73
ADJUSTING SCREW	153-5587	21	BUSH	153-5536	15
AIR INTAKE PIPE	231-3013	73		154-1677	31
ALTERNATOR	183-4029	65		231-8817	11
ANTI-TAMPER CAP	139-5511	27	CABLE	155-8075	39
	211-7739	29	CAMSHAFT ASSEMBLY	(120026610)	31
	217-7115	29	CAMSHAFT GEAR	183-3645	31
ARM	154-1401	25	CAP	153-5573	19
	154-1637	25	CIRCLIP	(036500021)	13, 13
ATOMISER	(131406470)	37		(036800005)	25
ATOMISER LEAK-OFF PIPE	231-7739	37		(036800006)	25
BACKPLATE	(TPN768)	59		153-6851	53
BALL BEARING	(040109059)	31		212-0747	29
	153-5390	11	CLIP	(067200078)	37, 37
BEARING	(042303015)	11	154-1824	41, 41	
BEARING CAP	231-2801	17	COLLAR	153-6850	53
	231-2802	17	CONNECTION	153-6879	49
	231-2803	17		197-8555	81
BIG END SHELL BEARING	231-8814	15, 15		205-4728	33
	BLANKING PLUG	217-7381	41	CONNECTOR	183-4037
BOLT	(010310865)	69	231-2841	39	
	(010311045)	61	232-0290	37	
	(010810845)	17	CON ROD BOLT	153-5537	15
	153-6881	51	CONROD KIT	231-3870	15
	191-9296	29	CON ROD NUT	(020109075)	15
	205-4726	33	CORE PLUG	(064400010)	11, 71
	212-0745	29	COTTER	153-5556	19
BOLT ASSEMBLY	217-7111	29	COVER	153-6848	53
BRACKET	183-4033	65	CRANKSHAFT GEAR	153-5517	17
			CRANKSHAFT KIT	231-2799	17

Parts Index

Description	Part No.	Page	Description	Part No.	Page
CRANKSHAFT PULLEY	177-3308	69	GASKET	154-2716	37
CYLINDER HEAD ASSEMBLY	231-2072	19		205-4727	33, 33
CYLINDER HEAD COVER	238-1330	73		219-4669	47
CYLINDER HEAD GASKET	(111147560)	19		231-3014	73
	231-2073	19		231-3020	73
DAMPER	153-6393	35, 35	GAUZE	153-5939	73
DIPSTICK	(198416820)	49	GEAR - IDLER/OIL PUMP	153-7984	31
DIPSTICK TUBE	229-5150	49	GLOW PLUG	231-2836	39, 39, 39
DOWEL	(030500512)	11	GUDGEON PIN	153-5540	13
	(030500612)	17, 17, 17	HOSE	154-1823	41
	(030500616)	11	HOUSING JOINT	231-7858	41
	(030501025)	11	INLET VALVE	231-2070	19
	(030509018)	31	INSERT	230-9126	19
END CAP	(064209053)	29	JOINT	153-6494	69
EXHAUST MANIFOLD	183-4332	63		153-7920	75
EXHAUST MANIFOLD GASKET	153-6860	63	KEY	(030509020)	17
EXHAUST VALVE	153-5555	19	LAMP	197-8547	83
FAN	183-3539	43	LEVER	153-5577	21
FANBELT	(080109049)	45		153-5579	21
FILLER	205-7713	77		183-3570	25
FLYWHEEL	153-6864	57		183-4030	65
FRONT OIL SEAL	153-7978	25		231-3821	25
FUEL INJECTION PIPE - NO 1 CYL	231-7702	35	238-1266	25	
	231-7703	35	LIFT PUMP	176-7712	55
	231-7704	35	MAIN BEARING KIT	231-2800	17
FUEL INJECTION PUMP	(131017940)	33	METRIC BOLT	217-5860	73
FUEL INJ PUMP RETURN PIPE	(068209026)	37	NUT	(020109176)	29
				(020109177)	29
				(020700008)	25
				(020800018)	69

Description	Part No.	Page	Description	Part No.	Page
	(020900008)	79	PLATE	153-6374	67, 67
	(023100004)	39, 39, 39		153-7990	31
	133-5512	25		154-1882	69
	153-5590	21		200-6454	11
	153-5592	21, 69	PLUG	(064510060)	41
	153-5934	73		153-5381	11, 19
	153-5960	23, 25, 33, 35, 41, 41, 41, 63		153-5382	11
	155-8085	61		153-5384	11
	162-2207	25, 27		153-5385	11
OIL FILTER CANISTER	220-1523	49		153-5387	11
OIL PIPE	180-6117	47		153-5391	11
	231-7864	51		153-5552	19, 19
OIL PRESSURE SWITCH	(TPN485)	71		153-5553	19
O RING	(052100030)	25		156-6948	21
	(052100050)	25	165-3605	47	
	(052100070)	25	221-1136	11	
	(052109100)	29	PUSHROD	231-2209	21
	(052300600)	69	REAR OIL SEAL	(050209107)	11
	153-6835	47	RELIEF VALVE	154-1942	53
	153-6841	49	RETAINING PLATE	231-3010	73
	153-6853	53	ROCKER ARM SHAFT	231-2183	21
	156-6950	21	ROCKER BOX JOINT	231-2208	21
	176-7719	55	ROCKER SHAFT ASSEMBLY	231-2184	21
PIN	(030300414)	25	ROTOR	153-6847	53
	(030300816)	17	SCREW	(010110625)	35
	(030309005)	11		(010110630)	25
	153-7983	25		(010700845)	17
PISTON AND RING KIT	231-3885	13		(010810840)	17, 17
PISTON RING KIT	231-3888	13		(011310612)	11, 31, 47, 49

Parts Index

Description	Part No.	Page	Description	Part No.	Page
	(011310614)	43		160-4152	53
	(011310616)	25		160-4153	53
	(011310620)	33, 73		161-1432	33
	(011510840)	65		161-1433	33
	(011510850)	17		161-1434	33
	(011510855)	65		161-1435	33
	(011511040)	65	SNAPRING	(036800008)	25
	(015100410)	21	SOLENOID	238-1210	33
	153-5575	19	SPACER	183-3606	31
	153-5578	19		183-4031	65
	153-5962	23, 41	SPRING	153-5586	21
	153-6375	59, 67, 67		153-6849	53
	153-6833	47		154-1641	25
	153-6861	21, 63, 73		154-1679	31
	153-6866	57		183-3568	25
	153-6868	59		200-5995	25
	153-7992	31	STARTERMOTOR	138-6754	61
	154-1244	65	STARTER RING	153-6865	57
	158-7936	25, 25, 27	STAY	154-1412	25
	165-2139	23, 73	STRAINER	153-6837	47
	165-2140	23, 65	STUD	(010109440)	11, 41
	168-9001	75		(012110635)	11
	217-5862	73		(012110660)	11, 41
	6I-0846	55		153-5591	21
SEAL	(052100420)	77		153-5944	19
SHAFT	197-7909	25	SUMP	153-6830	47
	231-8822	11	TAPPET	153-5594	21
SHIM	153-6385	33		217-7174	31
	160-4150	53	THERMOSTAT	231-7859	41
	160-4151	53	THERMOSTAT HOUSING	(145216510)	41

Description	Part No.	Page
	(145226460)	41
THERMOSTAT HOUSING JOINT	231-7861	41
TIMING CASE JOINT	215-2618	11
	215-2619	23
TIMING GEAR CASE	238-1174	25
VALVE CAP	153-5557	19
VALVE SPRING	153-5558	19
VALVE STEM SEAL	153-5554	19
	153-5559	19
WASHER	(026200008)	25
	153-5595	21
	153-5936	51, 51, 71, 71, 73
	153-6412	33
	153-6415	37
	153-6832	47
	153-7985	31
	153-7987	29, 29
	154-1399	61, 65
	154-2403	61
	168-9002	65
232-0793	37	
WATER PUMP	(145017840)	41
WATER PUMP JOINT	231-7853	41
WATERPUMP PULLEY	153-5963	45
WATER TEMPERATURE SENSOR	(385720510)	71
WOODRUFF KEY	(034100508)	31, 69