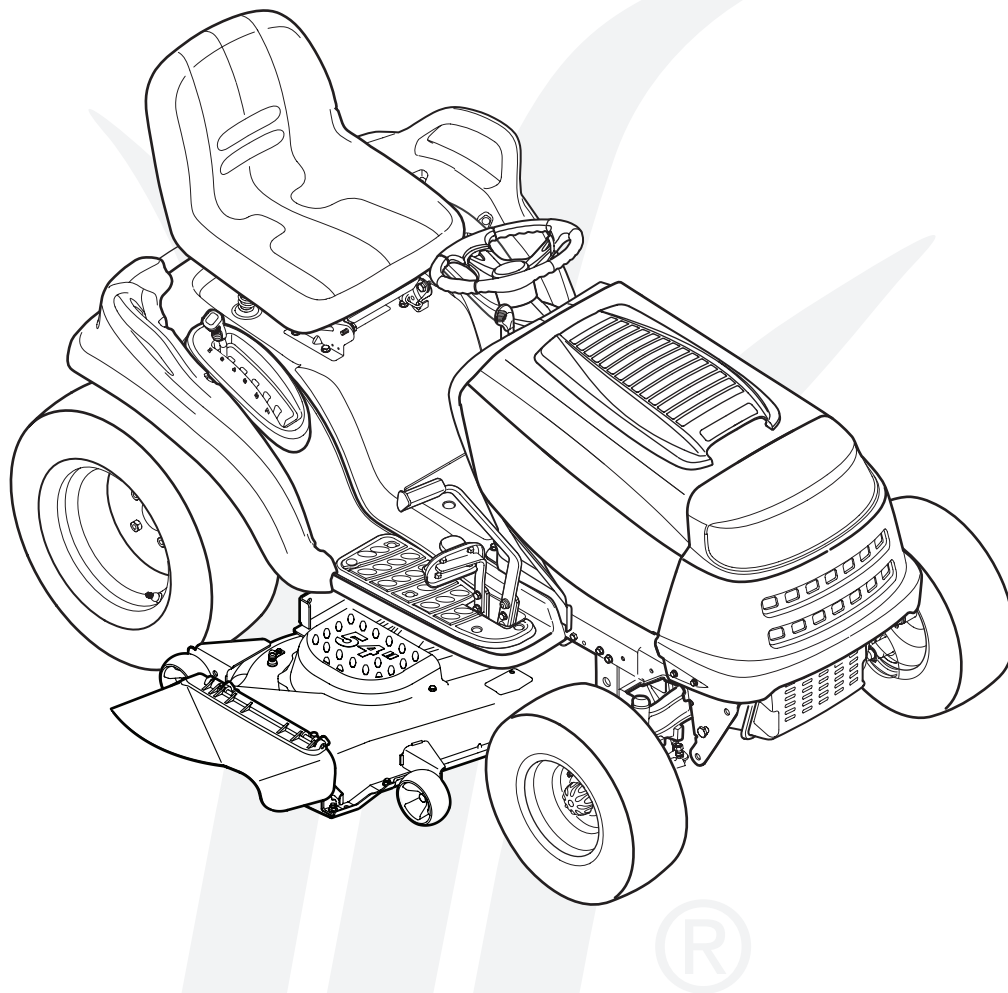

ILLUSTRATED PARTS MANUAL



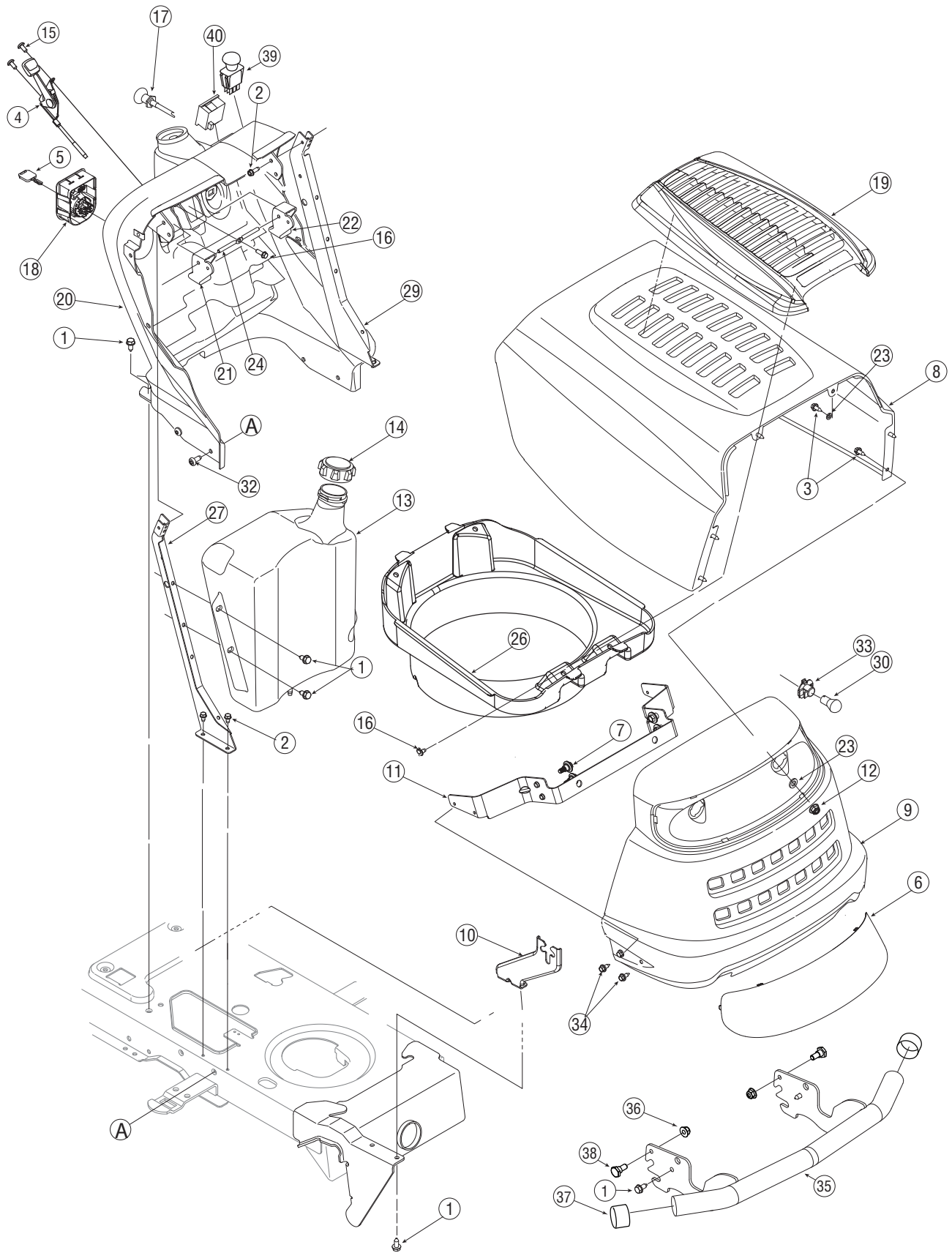
Hydrostatic Lawn Tractor — Model Series 620

IMPORTANT

READ SAFETY RULES AND INSTRUCTIONS CAREFULLY BEFORE OPERATION

Warning: This unit is equipped with an internal combustion engine and should not be used on or near any unimproved forest-covered, brush-covered or grass-covered land unless the engine's exhaust system is equipped with a spark arrester meeting applicable local or state laws (if any). If a spark arrester is used, it should be maintained in effective working order by the operator. In the State of California the above is required by law (Section 4442 of the California Public Resources Code). Other states may have similar laws. Federal laws apply on federal lands. A spark arrester for the muffler is available through your nearest engine authorized service dealer or contact the service department, P.O. Box 361131 Cleveland, Ohio 44136-0019.

Model Series 620



Illustrated Parts List



To order
replacement parts,
call the Customer
Service Line at
1-800-800-7310
or visit
www.mtdproducts.com

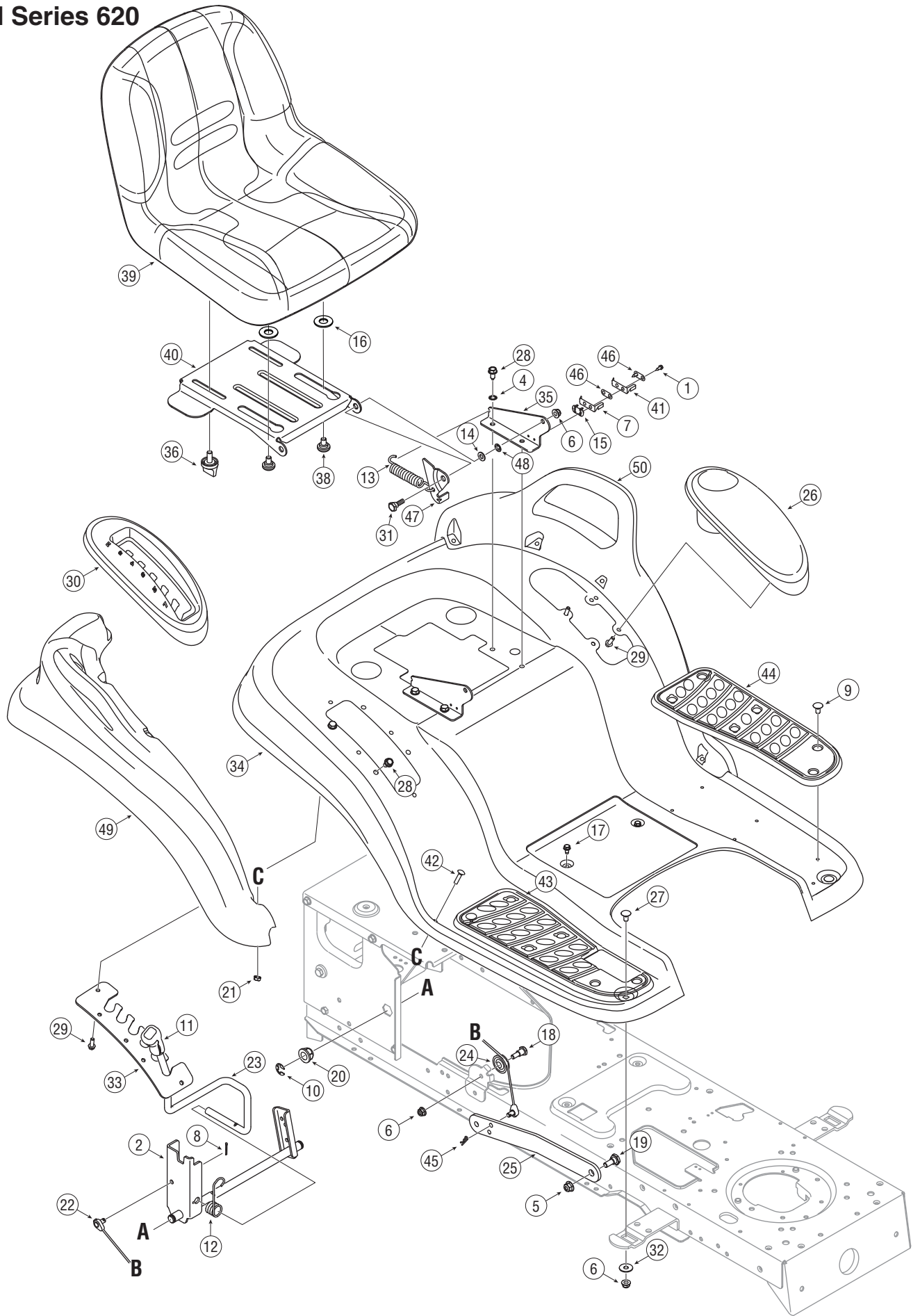
Ref. No.	Part No.	Description
1	710-0726	Screw, 5/16-12 x .750
2	710-0599	Self-tapping Screw, 1/4-20 x.5
3	710-0751	Hex Cap Screw, 1/4-20 x.62
4	746-04365	Throttle Control/Cable
5	725-1745	Ignition Key w/ plastic cover
	725-1744	Ignition Key w/o plastic cover
6	731-04949	Headlight Lens
7	738-04091	Shoulder Screw,.43 x.29
8	783-04551	Hood, 1 Style
9	783-04552	Grill, 1 Style
10	783-04578	Pivot Bracket - RH
	783-04577*	Pivot Bracket - LH
11	783-04621	Grill Pivot Bracket
12	712-04064	Flange Lock Nut, 1/4-20
13	751-0658E	Fuel Tank, Three Gallon
14	751-0603	Fuel Cap
15	710-1017	Screw, 1/4-14 x.625
16	710-0895	Self-tapping Screw, 1/4-15 x.75
17	746-1085A	Choke Control Cable
18	725-04227B	Ignition Switch
19	731-05522	Hood Cover, 5 Style
20	731-05005B	Dash Panel
21	731-04215	Cruise Control Button
22	731-04217	Parking Brake Button

Ref. No.	Part No.	Description
23	736-0176	Flat Washer, .265 x .938 x 1.20
24	747-1196	Brake/Cruise Pivot Rod
25	629-04083A*	Headlight Wire Harness
26	731-05165A	Plenum
27	783-04285E	RH Dash Support Plate
28	710-0607	Screw, 5/16-18 x .500
29	783-04323D	LH Dash Support Plate
30	725-0963	Lamp
31	736-0270	Bell Washer,.265 x.75 x.062
32	710-1611B	Screw, 5/16-18 x.75
33	725-1649	Headlight Socket
34	710-1652	Hex Index Screw, 1/4-20 x.625
35	683-04219A	Bumper Assembly
36	712-04065	Flange Lock Nut, 3/8-16
37	731-05674	Cap
38	738-0143	Shoulder Bolt, 3/8-16
39	725-1752	Electric PTO Switch
40	725-04036C	Systems Ind. Monitor w/Hr. Mtr.
	725-04156	Systems Ind. Monitor w/ Amtr.
—	725-04403*	Wire Harness (w/Hour Meter)
—	725-04404*	Wire Harness (w/Hour Meter & Electric PTO)
—	725-04411*	Wire Harness (w/Ammeter)
—	777X41984	Headlight Reflective Insert

* Not Shown

NOTE: Tractor features vary by model. NOT all parts listed above and pictured on the previous page are standard equipment.

Model Series 620



Illustrated Parts List



To order
replacement parts,
call the Customer
Service Line at
1-800-800-7310
or visit
www.mtdproducts.com

Ref. No.	Part No.	Description
1	710-0227	Screw, #8-18 x.500
2	683-04301	Lift Shaft Assembly
3	736-0204	Washer, Flat, .344 x .62 x .033
4	736-0607	Lock Washer, 5/16
5	712-04065	Flange Lock Nut, 3/8-16
6	712-04063	Flange Lock Nut, 5/16-18
7	725-1439	Inner Seat Spring Switch
8	714-0104	Hairpin Clip
9	726-3046	Foot Pad Clips
10	716-0106A	E-Ring
11	720-0311	Handle Grip
12	732-0874	Torsion Spring
13	732-1184	Extension Spring,.84 x 4.6
14	736-0242	Flat Washer
15	726-0278	Insulator Boss Plate
16	736-0300	Flat Washer, .406 x .875 x .059
17	710-0599	Screw, 1/4-20 x.500
18	738-0138A	Hex Cap Screw, 5/16-18 x.62
19	738-0380	Shoulder Screw, 3/8-16
20	741-0225	Hex Flange Bearing
21	712-0271	Sems Nut 1/4-20
22	746-0968	Lift Cable, 16.16
23	747-04447	Lift Handle
24	756-1154	Roller Pulley
25	783-0678B	Arm Lift

Ref. No.	Part No.	Description
26	731-1993A	Cover w/ Cup Holder
27	710-0451	Carriage Bolt, 5/16-18 x.750
28	710-0604A	Self-tapping Screw, 5/16-18 x.625
29	710-0895	Self-tapping Screw, 1/4-15 x.75
30	731-1990	Lift Lever Cover
31	738-0296	Shoulder Screw,.437 x.286
32	736-3078	Flat Washer,.349 x 1.0 x.063
33	783-0677B	Lift Adjustment Bracket
34	783-04459A	Fender 4 Sty Hydro w/ Flares
35	783-1489C	Seat Mounting Bracket
36	720-04061	Knob, 3/8-16 x .875
37	712-04064	Flange Lock Nut, 1/4-20
38	738-04012A	Shoulder Screw, 3/8-16 .625 x .145
39	757-04003A	High Back Seat, Black
40	783-04081B	Seat Pivot Bracket
41	725-1303	Outer Seat Spring Switch
42	710-0932	Carriage Screw 1/4-20 x 1.00
43	735-0656	RH Foot Pad
44	735-0657	LH Foot Pad
45	714-0111	Cotter Pin
46	726-0279	Insulator Plate
47	783-0209D	Seat Lift Bracket
48	726-0201	Speed Clip
49	731-2618	RH Fender Flare
50	731-2619	LH Fender Flare

NOTE: Tractor features vary by model. NOT all parts listed above and pictured on the previous page are standard equipment.

Illustrated Parts List



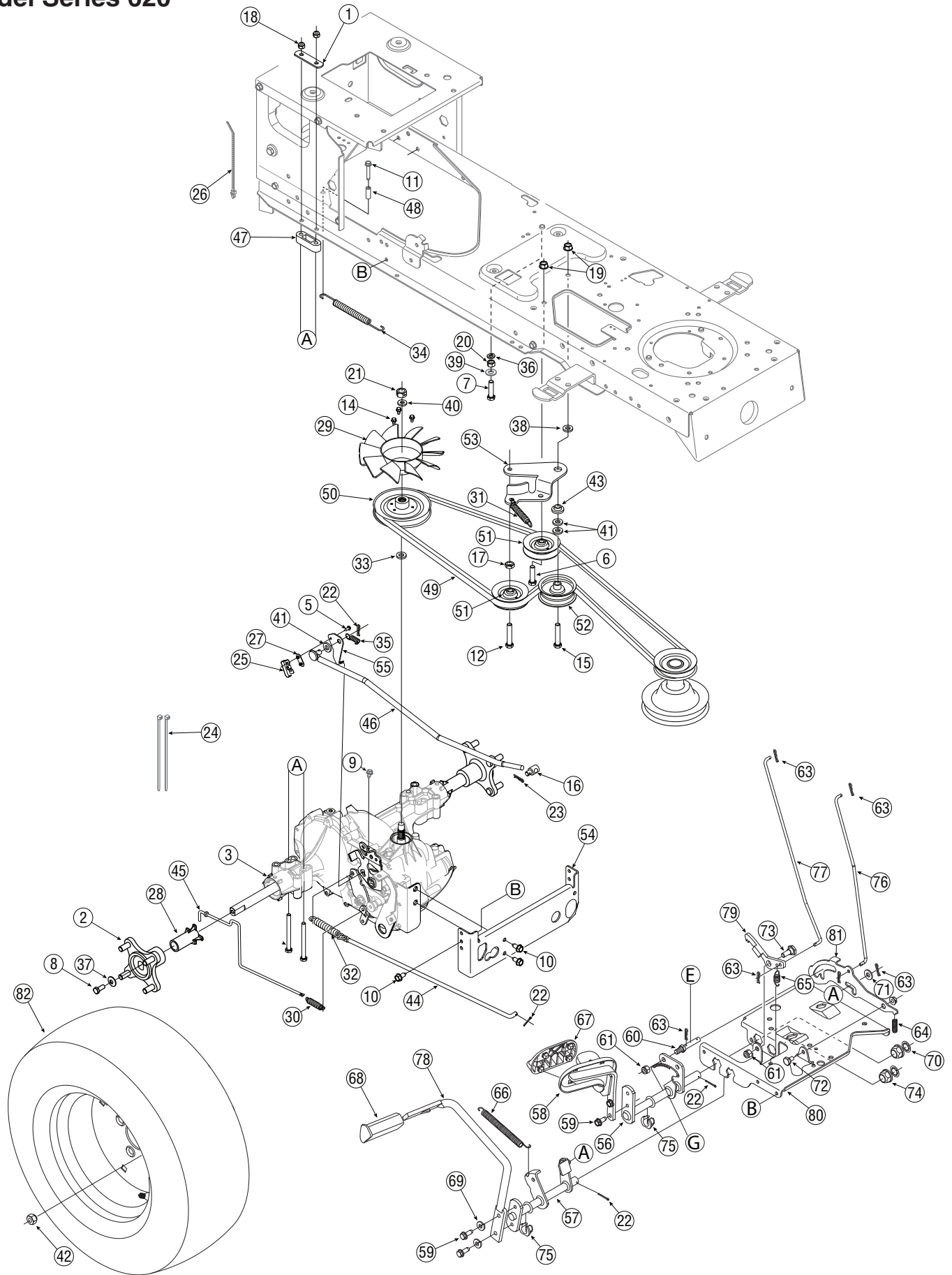
To order
replacement parts,
call the Customer
Service Line at
1-800-800-7310
or visit
www.mtdproducts.com

Ref. No.	Part No.	Description
1	710-04095	Hex Screw, 3/8-16, 1.00, Gr5
2	710-0514	Hex Screw, 3/8-16, 1.00, Gr5
3	710-0643	Hex Screw, 5/16-18, 1.00, Gr5
4	711-1408	Link, Drag, RH
5	711-1409A	Link, Drag, LH
6	712-0214	Nut, Hex Lock, 3/8-24
7	712-04065	Nut, Flange Lock, 3/8-16
8	712-0459	Nut, Flange Lock, 7/16-20
9	712-3004A	Nut, Flange Lock, 5/16-18, Gr5
10	712-0240	Nut, Jam, 7/16-20, Gr2
11	717-1550E	Gear, Steering, 11/90 Ratio
12	717-1554	Gear, Pinion, Steering
13	723-0448A	Ball Joint, 7/16-20, Lock
14	736-3004	Washer, Flat,.406 x.875 x.105
15	736-3084	Washer, Flat,.51 x 1.12 x.06
16	710-1260A	Screw, 5/16-18, 0.750
17	738-04154	Spacer, Shoulder,.38 x 1.00 x.31
18	738-1001A	Shaft, Steering,.625 OD x 24.25
19	741-0475	Plastic Bushing.380 ID
20	741-0656A	Hex Flange Bearing 5/8 PM
21	783-0726E	Pivot Bracket, Support RH

Ref. No.	Part No.	Description
22	783-0727D	Pivot Bracket, Support LH
23	783-0728B	Pivot Bracket, Bar
24	631-04008A	Steering Wheel, 13.25
25	731-04039	Steering Wheel Cover
26	738-1011A	Shoulder Screw,.5 x 2.2, 3/8-16
27	731-05674	Cap
28	736-04228	Flat Washer, .781 x 1.589
29	714-04039	Cotter Pin, 5/32 x 1.25
30	719-04105	Cast Iron Pivot Bar
31	726-0341	Push Cap
32	638-04003A	LH Axle Assembly,.750
33	638-04004A	RH Axle Assembly,.750
34	711-0332	Pin, Clevis,.50 x.78
35	714-04023	Cotter Pin, Int., .080 x 1.5625
36	783-0720A	Adjustment Bracket, Front
37	634-04086	Wheel Assembly Complete,
	734-1731	Tire Only 15 x 6 x 6 Sq. Shldr.
	634-04081	Rim Only w/ Valve Stem
38	738-0143	Screw, Shldr,.498 x.340, 3/8-16
39	712-0431	Flange Lock Nut, 3/8-16

NOTE: Tractor features vary by model. NOT all parts listed above and pictured on the previous page are standard equipment.

Model Series 620



REF.	PART NO.	DESCRIPTION
1	17840	Transmission Mounting Bracket
2	618-04228	Wheel Hub Assembly
3	618-04270A	Hydrostatic Transmission
4	629-04124*	Harness Assembly
5	710-0227	AB Screw #8-18 x 0.375
6	710-0502A	TT Sems Screw 3/8-16 x 1.250
7	710-0520	Hex Bolt 3/8-16 x 1.5
8	710-0627	Screw, 5/16-24 x .750
9	710-0653	TT Screw 1/4-20 x 0.5
10	710-0726	AB Screw 5/16-12 x 0.75
11	710-0778	Screw, 1/4-20 x 1.50
12	710-1007	Screw, 3/8-16 x 1.50
13	710-1266	Hex Bolt 5/16-18 x 3.5
14	710-3007	Carriage Screw
15	710-3011	Hex Bolt 3/8-16 x 2.25
16	711-0832	Ferrule
17	712-0240	Jam Nut 7/16-20
18	712-04063	Flange Lock Nut, 5/16-18
19	712-0431	Flanged Lock Nut 3/8-16
20	712-3017	Flanged Lock Nut 3/8-16
21	712-3066	Hex Nut, 1/2-20
22	714-0111	Cotter Pin
23	714-0507	Cotter Pin
24	725-0157	Cable Tie (Not shown)
25	725-1644	Switch
26	726-0154	Cable Tie (Not shown)
27	726-0320	Insulator Nut Plate
28	731-05300	Sleeve, .765 x 2.410 Lg.
29	731-1449A	Blade Fan
30	732-0209	Extension Spring
31	732-04323B	Extension Spring
32	732-0716C	Extension Spring
33	732-0729	Wire Ring
34	732-0994	Extension Spring
35	732-3118	Extension Spring
36	736-0169	Lock Washer
37	736-0242	Bell Washer, .340 x .872 x .060
38	736-0258	Flat Washer, .385 x 1.0 x .135
39	736-0300	Flat Washer
40	736-0921	Lock Washer
41	736-3010	Flat Washer
42	712-3050	Lug Nut 7/16-14
43	738-0372B	Shoulder Spacer

*Not Shown

REF.	PART NO.	DESCRIPTION
44	747-04139	Brake Rod
45	747-1149	Bypass Rod
46	747-1151	Control Rod
47	748-0334	Transaxle Spacer
48	750-0566A	Spacer, .260 x .372 x 1.030 Lg.
49	754-0461	V Belt, A x 78" Lg
50	756-04111	Input Pulley
51	756-04209	Idler Pulley
52	756-04224	Flat Idler Pulley
53	783-04442	Idler Bracket
54	783-0810B	Torq Bracket
55	783-1019B	Actuator Bracket
56	647-0049A	Hydrostatic Control Assembly
57	647-04100	Brake Control Assembly
58	683-0267C	Pedal Assembly
59	710-1260A	LD Screw 5/16-18 x 0.75
60	711-04159B	Pin
61	712-04065	Flange Lock Nut, 3/8-16
62	712-3004A	Flange Lock Nut, 5/16-18
63	714-0104	Pin, Cotter
64	732-0335	Compression Spring
65	732-0955	Extension Spring
66	732-0963	Extension Spring
67	735-0662	Control Pedal
68	735-3049A	Brake Control Pedal
69	736-0119	Lock Washer 5/16
70	736-0187	Flat Washer, .64 x 1.24 x .06
71	736-0262	Flat Washer, .385 x .870 x .092
72	738-0155	Shoulder Screw
73	738-0380	Shoulder Screw
74	741-0225	Hex Flange Bearing
75	741-3065B	Hex Flange Bearing
76	747-04093A	Brake Lock Control Rod
77	747-04096	Cruise Control Rod
78	747-04641	Brake Pedal
79	748-04039C	Cruise Latch
80	783-04612	Steering Support Bracket
81	783-0663E	Hydro Lockout Bracket
82	634-0104	Wheel Complete, 20 x 8 x 8
	734-1730	Tire Only, 20 x 8 x 8
	634-0070	Rim Only
	734-0255	Tubeless Air Valve

Illustrated Parts List



To order
replacement parts,
call the Customer
Service Line at
1-800-800-7310
or visit
www.mtdproducts.com

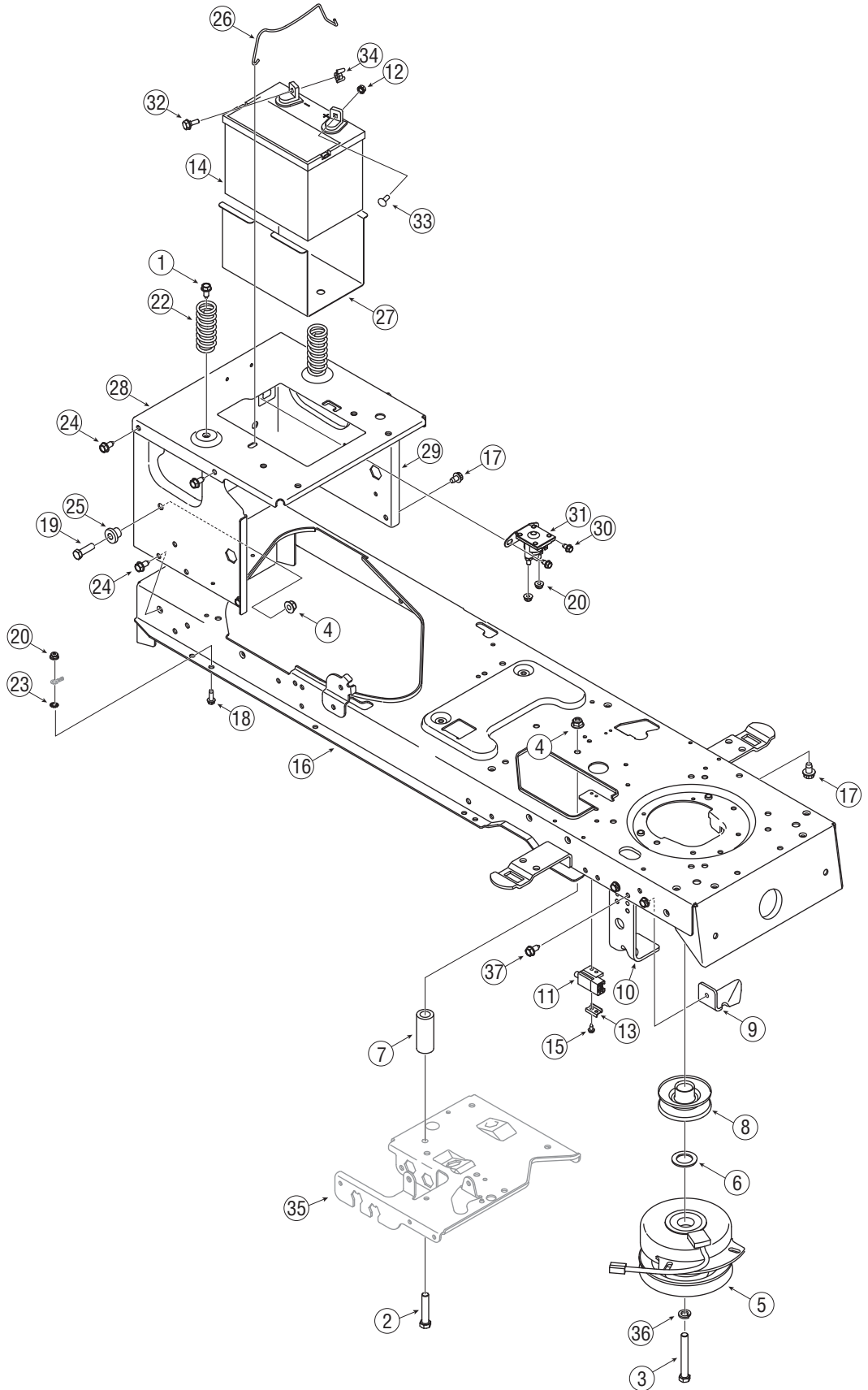
NOTE: Tractor features vary by model. NOT all parts listed above and pictured on the previous page are standard equipment.

Illustrated Parts List

Model Series 620



To order
replacement parts,
call the Customer
Service Line at
1-800-800-7310
or visit
www.mtdproducts.com



Ref. No.	Part No.	Description
1	710-1260A	Screw, 5/16-18 x 0.75
2	710-3011	Screw, 3/8-16, 2.25, Gr5
3	710-04379A	Screw, 7/16-20, 3.50, Gr5, Lock
4	712-04065	Nut, Flange Lock, 3/8-16
5	717-1774B	PTO Clutch, Electric
6	736-0277	Washer, Flat, 1.031 x 1.620 x.095
7	748-0415B	Spacer,.385 ID x.635 OD x 1.54
8	756-0978B	Pulley, Engine, 3.56 Diameter
9	783-04419B	Clutch Bracket
10	783-04467A	Deck Bracket, Up-Stop
11	725-04039	Switch
12	712-0271	Nut, Sems, 1/4-20
13	17962	Switch Plate
14	725-1750A	Battery, 235 CCA
15	710-0224	AB Screw, #10-16 x.500
16	683-04173B	Frame Assembly, Lower
17	710-0607	Screw, 5/16-18, 0.500
18	710-0642	Screw, 1/4-20, 0.750
19	710-3005	Screw, 3/8-16, 1.25, Gr5

Ref. No.	Part No.	Description
20	712-04064	Nut, Flange Lock, 1/4-20
21	783-0693	Axle Bracket
22	732-04035	Spring, Compress., 1.28 x 3.125
23	736-0222	Washer, Lock, 1/4, External
24	710-0604A	Screw, 5/16-18, 0.625
25	738-04058	Spacer, Shoulder,.38 x 1.0 x.70
26	747-04121A	Hold Rod, Battery
27	783-0349	Battery Tray
28	783-04329A	Seat Bracket, Frame
29	783-04809D	Frame, Upper
30	710-0599	Screw, 1/4-20, 0.50
31	725-04439	Solenoid, 12V, 100 Amp
32	738-1132	Screw, Shoulder,.250 x.15, 1/4-20
33	710-04666	Hex Flange Bolt, 1/4-20,.75
34	712-3087	Nut, Wing, 1/4-20
35	783-04612	Support Bracket, Steering
36	736-0171	Lock Washer, 7/16
37	710-0726	Screw, 5/16-12 x .750

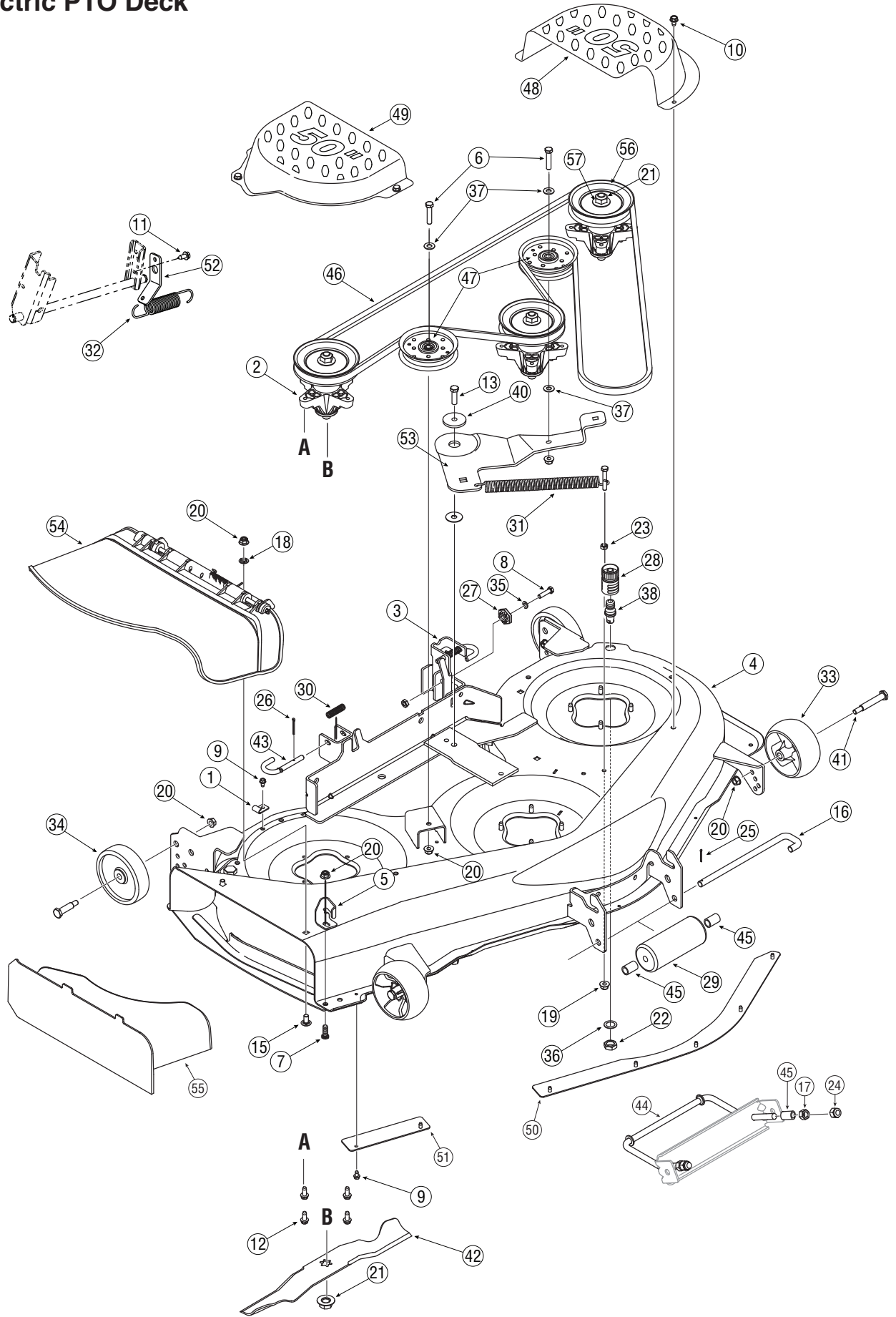
Illustrated Parts List



To order
replacement parts,
call the Customer
Service Line at
1-800-800-7310
or visit
www.mtdproducts.com

NOTE: Tractor features vary by model. NOT all parts listed above and pictured on the previous page are standard equipment.

50" Electric PTO Deck



Illustrated Parts List



To order
replacement parts,
call the Customer
Service Line at
1-800-800-7310
or visit
www.mtdproducts.com

IMPORTANT

For a proper working
machine, use Factory
Approved Parts.

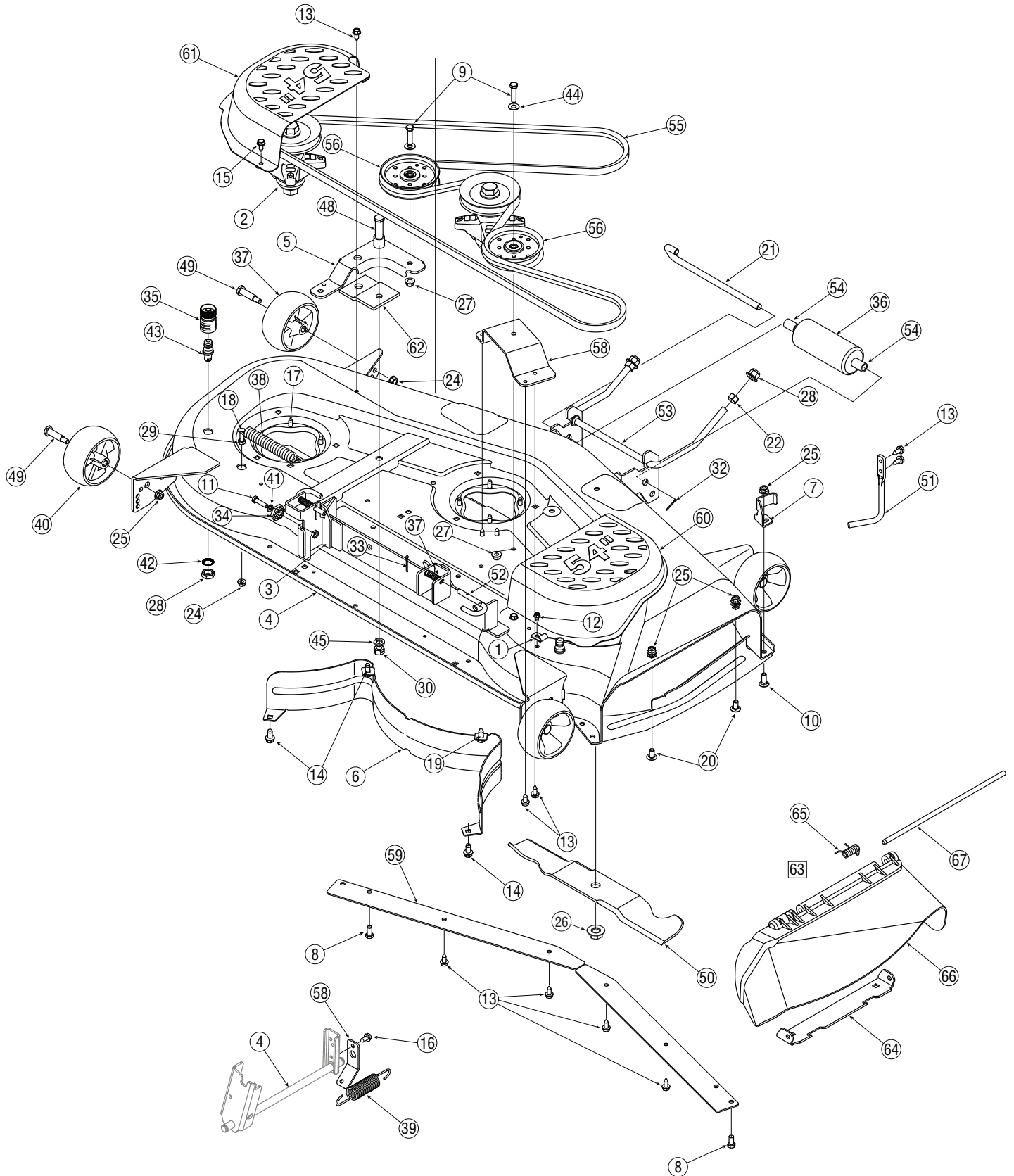
V-belts are designed to
engage and disengage
safely. A substitute
(non OEM) V-belt can
be dangerous by not
disengaging completely.

Ref. No.	Part No.	Description
1	16606	Hook, Retainer
2	618-04126A	Spindle Assembly
3	683-0254B	Hanger Bracket Assembly
4	683-04075	Weldment, 50-inch Deck
5	703-3279	Chute Stop
6	710-0347	Screw, 3/8-16, 1.75
7	710-04095	Screw, 3/8-16 x 1.0
8	710-0528	Screw, 5/16-18, 1.25, Gr5
9	710-0599	Screw, 1/4-20 x 0.5
10	710-0607	Screw, 5/16-18 x .75
11	710-0726	Screw, 5/16-12 x .750
12	710-1260A	Screw, 5/16-18 x .75
13	710-3005	Screw, 3/8-16, 1.25
14	710-3103	Screw, 5/16-18 x 2.00
15	710-3178	Screw, Carriage, 3/8-16 x .75
16	711-1737	Roller Pin
17	712-0206	Hex Nut, 1/2-13
18	712-0229	Push Nut Retainer
19	712-04063	Nut, Nylon Lock, 5/16-18
20	712-04065	Nut, Nylon Lock, 3/8-16
21	712-0417A	Nut, Hex, Flange, 5/8-18
22	712-0641	Nut, Hex, M16-1.5
23	712-3010	Nut, Hex, 5/16-18, Gr5
24	712-3083	Hex Lock Nut, 1/2-13
25	714-0111	Pin, Cotter, 3/32 x 1.00
26	714-0470	Pin, Cotter, 1/8 x 1.25
27	717-04074	Deck Adjustment Gear
28	721-04041	Coupler, Hose
29	731-3005	Roller

Ref. No.	Part No.	Description
30	732-0306A	Spring, Compression, .531 x 1.75
31	732-0459B	Spring, Extension, .94 x 6.74
32	732-0934	Spring, Extension, 1.5 x 5.99
33	734-04155	Deck Wheel, 5.0
34	734-0973	Deck Wheel, 5.0
35	736-0119	Washer, Lock, 5/16
36	736-0225	Lock Washer, 5/8"
37	736-0300	Washer, Flat, .406 x .875 x .059
38	737-04003C	Port, Water
39	738-0373	Shoulder Screw
40	738-04162A	Spacer, Shoulder, .884 x .190
41	738-3056	Shoulder Screw
42	742-04053B	Blade, 17.90
43	747-1116	Rod, Deck Release .375 Dia.
44	747-1324	Rod, Deck Adjust
45	750-0151	Spacer, .550 x .750 x 1.125
46	754-04077	Belt, V-Type, Aramid
47	756-04129	Pulley, Idler, 3.5"
48	783-04399	LH Belt Cover
49	783-04400	RH Belt Cover
50	783-04414A	Deck Skirt, Center
51	783-04415	Deck Skirt, RH
52	783-04462	Lift Bracket, 50"
53	783-05303	Idler Bracket
54	631-04070A	Chute Assembly, Side Discharge
55	731-04651	Mulch Plug
56	756-04216	Pulley, 5.39"
57	736-0315	Washer, Flat, .760 x 1.5 x .120

NOTE: Tractor features vary by model. NOT all parts listed above and pictured on the previous page are standard equipment.

54" Electric PTO Deck



Illustrated Parts List



To order
replacement parts,
call the Customer
Service Line at
1-800-800-7310
or visit
www.mtdproducts.com

IMPORTANT

For a proper working
machine, use Factory
Approved Parts.

V-belts are designed to
engage and disengage
safely. A substitute
(non OEM) V-belt can
be dangerous by not
disengaging completely.

Ref. No.	Part No.	Description
1	16606	Hook, Retainer Bracket
2	618-04125A	Spindle Assembly
3	683-0254B	Hanger Bracket Assembly
4	683-04180	54" Deck Weldment
5	683-04182	Idler Arm Assembly
6	703-2093	Inner Rear Baffle
7	703-3279	Chute Deflector Stop
8	710-0216	Screw, 3/8-16 x.75
9	710-0347	Screw, 3/8-16 x 1.75
10	710-04095	Screw, 3/8-16 x 1.0
11	710-0528	Screw, 5/16-18 x 1.25
12	710-0599	Screw, 1/4-20 x.500
13	710-0607	Screw, 5/16-18 x.500
14	710-0623	Screw, 3/8-16 x.750
15	710-0650	Screw, 5/16-18 x.875
16	710-0726	Screw, 5/16-12 x.750
17	710-1260A	Screw, 5/16-18 x.750
18	710-3103	Screw, 5/16-18 x 2.00
19	710-3168	Bolt, Carriage, 3/8-16 x 1.00
20	710-3178	Bolt, Carriage, 3/8-16 x.750
21	711-1737	Pin, Roller,.5" Dia. x 10.06
22	712-0206	Nut, Hex, 1/2-13
23	712-0229	Push Nut, 3/8
24	712-04063	Nut, Flange Lock, 5/16-18
25	712-04065	Nut, Flange Lock, 3/8-16
26	712-0417A	Nut, Flange, 5/8-18
27	712-0431	Nut, Flange Lock, 3/8-16
28	712-0641	Nut, Hex, M16-1.5
29	712-3010	Nut, Hex, 5/16-18
30	712-3022	Nut, Hex Lock, 1/2-13
31	712-3083	Nut, Hex Lock, 1/2-13
32	714-0111	Pin, Cotter, 3/32 x 1.00
33	714-0470	Pin, Cotter, 1/8 x 1.25
34	717-04074	Deck Adjustment Gear

Ref. No.	Part No.	Description
35	721-04041	Hose Coupler
36	731-3005	Front Roller
37	732-0306A	Spring,.531OD x 1.75
38	732-04247	Spring, Ext.,.850 Dia. x 6.415
39	732-0934	Spring, Ext., 1.15 Dia. x 5.99
40	734-04155	Deck Wheel
41	736-0119	Washer, Lock, 5/16
42	736-0225	Washer, Lock 5/8 Int. Tooth
43	736-0275	Washer, Flat,.344 x.688 x.065
44	736-0300	Washer, Flat,.406 x.875 x.059
45	736-0921	Washer, Lock, 1/2
46	736-3010	Washer, Flat, .407 x .812 x .135
47	737-04003B	Port, Water
48	738-1229A	Screw,.625 x 2.50 x 1/2-13
49	738-3056	Bolt, Shoulder, 3/8-16; 4.96 x 2.50
50	742-0677A	Blade, 18.5"
51	747-04384	Upstop Rod
52	747-1116	Rod, Deck Release Handle
53	750-1000	Spacer, .800 x 1.10 x 1.322
54	750-0151	Spacer,.550 ID x.755 OD x 1.1
55	754-0642	V-Belt
56	756-04129	Pulley, Idler, 4.25" Dia.
57	783-04013A	Bracket, Stabilizer, Pulley
58	783-04462	Lift Bracket
59	783-04690A	Skirt, Deck
60	783-05492	Cover, Belt, RH
61	783-05493	Cover, Belt, LH
62	783-04726	Bracket, Idler, Stationary
63	631-04070A	Chute Ass'y, Side Discharge
64	783-05030	Chute Mounting Bracket
65	732-04372	Torsion Spring
66	731-05559A	Deflector Chute
67	711-04565	Hinge Pin

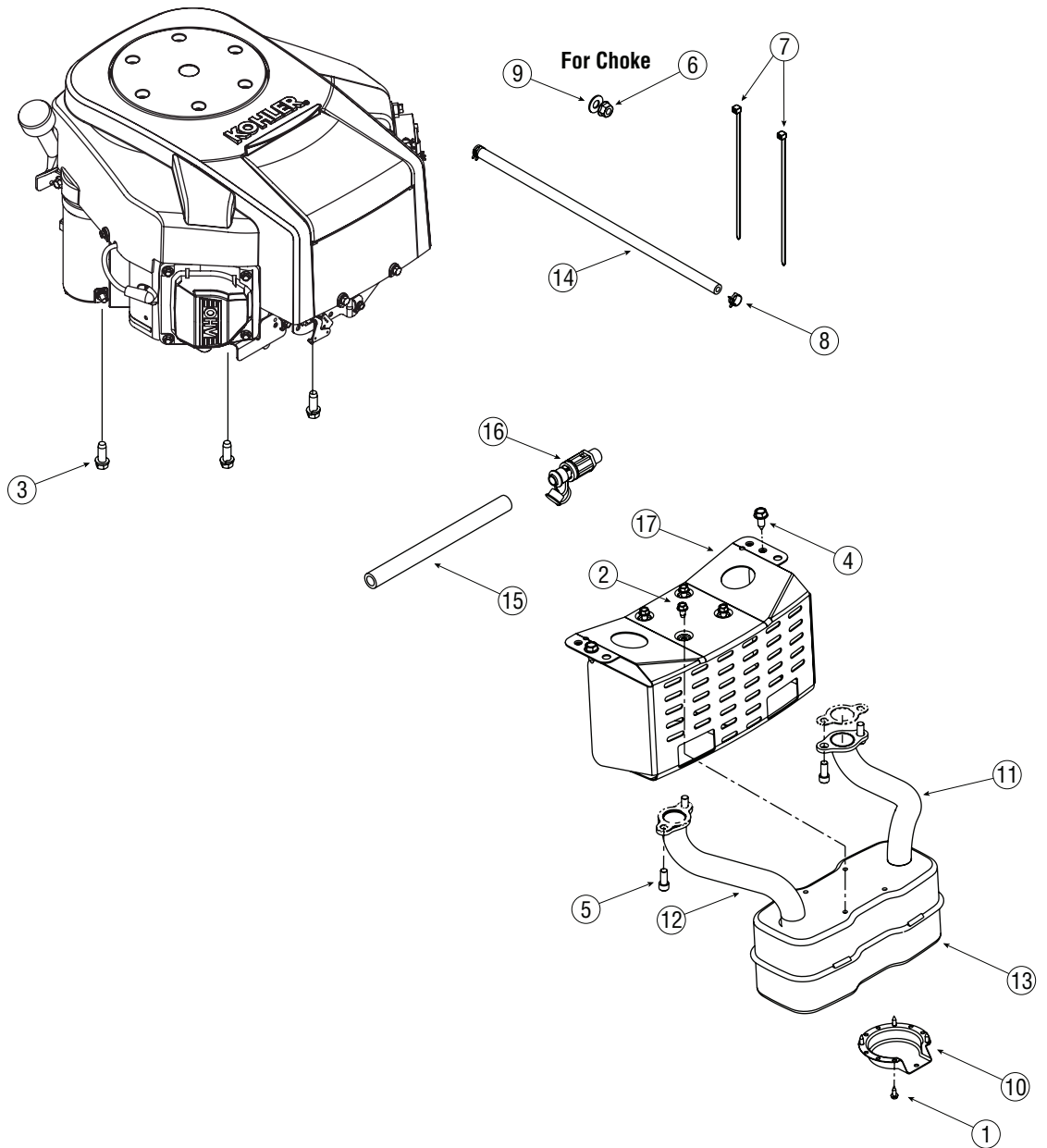
NOTE: Tractor features vary by model. NOT all parts listed above and pictured on the previous page are standard equipment.

Illustrated Parts List



To order
replacement parts,
call the Customer
Service Line at
1-800-800-7310
or visit
www.mtdproducts.com

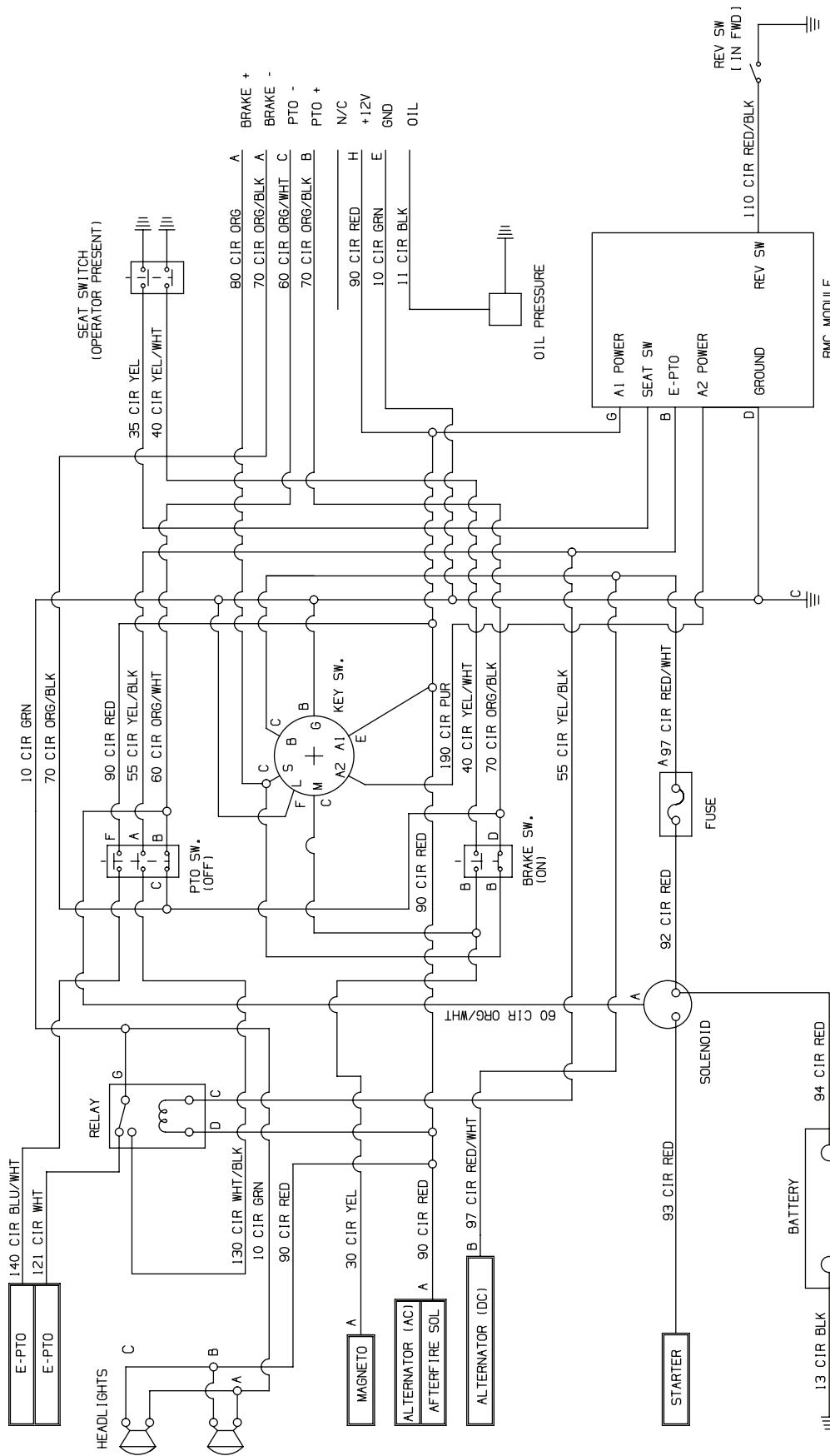
Kohler Twin Cylinder Engine



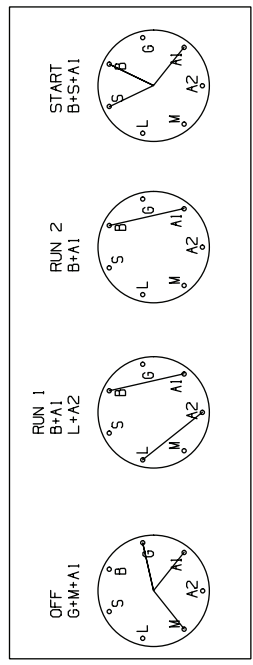
Ref. No.	Part No.	Description
1	710-0227	AB Screw #8-18 x 0.5
2	710-0599	TT Screw 1/4-20 x 0.5
3	710-0654A	TT Screw 3/8-16 x 1.00
4	710-0726	AB Screw 5/16-12 x 0.5
5	710-1314A	Screw, 5/16-18 x .750
6	712-3005	Flange Lock Nut, 3/8-16
7	725-0157	Cable Tie
8	726-0205	Hose Clamp
9	736-0300	Flat Washer, .406 x .875 x .059

Ref. No.	Part No.	Description
10	751-0564B	Muffler Deflector
11	751-0644B	LH Exhaust Pipe
12	751-0645A	RH Exhaust Pipe
13	751-0805A	Dual Inlet Muffler
14	751-10349	Fuel Line Hose
15	751-3141	Oil Drain Extension Hose
16	751-3140	Oil Drain Valve
17	783-0615D	Muffler Bracket

NOTE: Tractor features vary by model. NOT all parts listed above and pictured on the previous page are standard equipment.



BRAKE + A
 BRAKE - A
 PTO - C
 PTO + B
 N/C
 +12V H
 GND E
 OIL 1.1 CIR BLK



NOTES

Use this page to make notes and write down important information.

NOTES

Use this page to make notes and write down important information.

