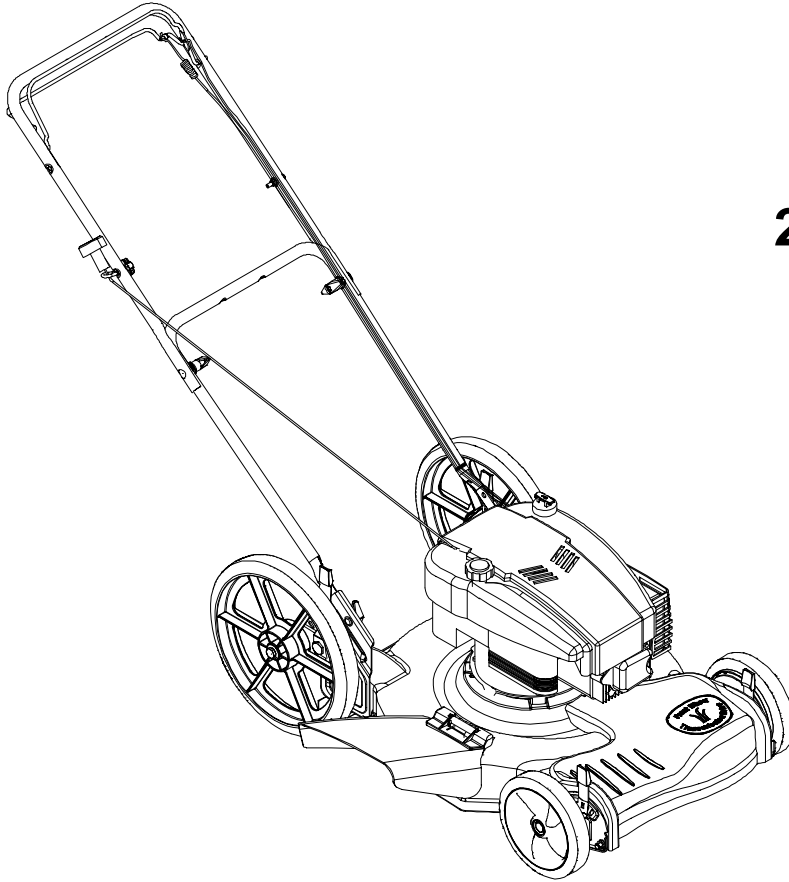


OPERATOR'S MANUAL



22" Self-Propelled Mower Model Series 520 Thru 530

IMPORTANT: READ SAFETY RULES AND INSTRUCTIONS CAREFULLY

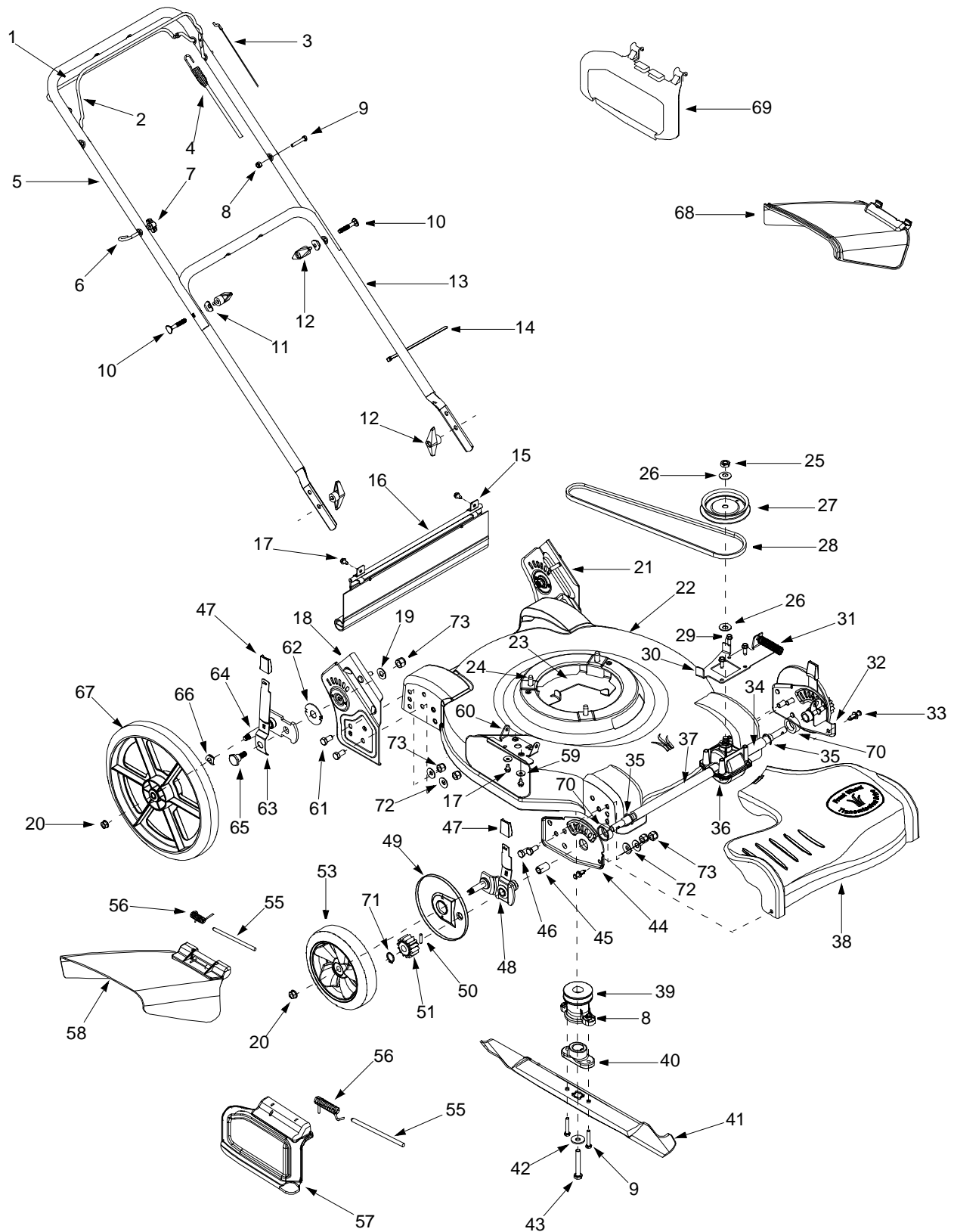
Warning: This unit is equipped with an internal combustion engine and should not be used on or near any unimproved forest-covered, brush-covered or grass-covered land unless the engine's exhaust system is equipped with a spark arrester meeting applicable local or state laws (if any). If a spark arrester is used, it should be maintained in effective working order by the operator. In the State of California the above is required by law (Section 4442 of the California Public Resources Code). Other states may have similar laws. Federal laws apply on federal lands. A spark arrester for the muffler is available through your nearest engine authorized service dealer or contact the service department, P.O. Box 361131 Cleveland, Ohio 44136-0019.

MTD LLC, P.O. BOX 361131 CLEVELAND, OHIO 44136-0019

PRINTED IN U.S.A.

FORM NO. 770-10349B
(11/01)

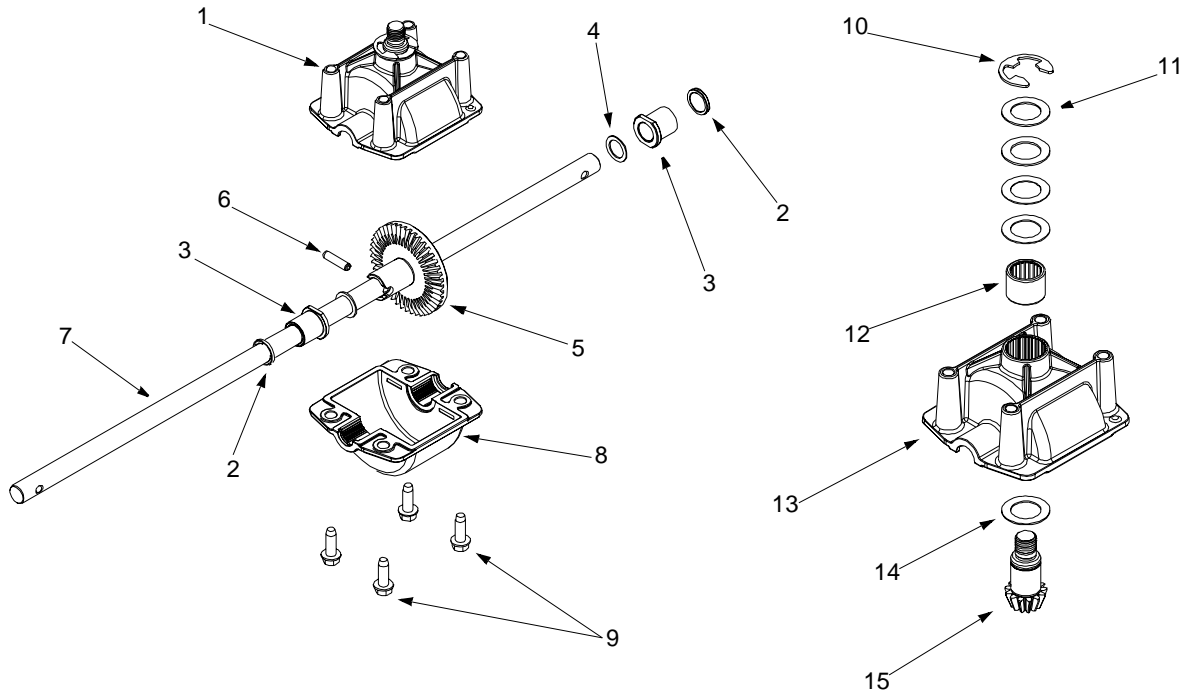
Model Series 520 thru 530



Model Series 520 thru 530

Ref. No.	Part No.	Part Description	Ref. No.	Part No.	Part Description
1.	747-1214	Drive Control Handle	38.	731-0073	Transmission Cover
2.	747-1161A	Blade Control Handle	39.	756-1163	Drive Pulley
3.	746-1113	Blade Control Cable - B&S	40.	748-0426	Blade Adapter
	746-1132	Blade Control Cable - B&S	41.	742-0642A	Blade 22"
	746-1114	Blade Control Cable- Tec		742-0742A	Mulching Blade 22"
4.	746-1092A	Drive Control Cable	42.	736-0452	Bell Washer .396 ID x 1.140 OD
5.	749-1092A	Upper Handle	43.	710-1044	Hex Cap Screw 3/8-24 x 1.5
6.	710-1205	Eye Bolt	44.	782-0584	Forward Height Adjustment Plate - RH
7.	720-0279	Wing Nut 1/4-20	45.	741-0710	Sleeve Bearing
8.	712-0324	Hex Lock Nut 1/4-20	46.	710-0216	Hex Cap Screw 3/8-16 x .75
9.	710-0606	Hex Cap Screw 1/4-20x 1.5	47.	720-0426	Adjustment Knob
10.	710-1174	Carriage Bolt 5/16-18 x 2.0	48.	682-0544	Spring Lever Assembly - LH (FWD)
11.	736-0451	Shoulder Washer .320 ID x .93 OD		682-0545	Spring Lever Assembly - RH (FWD)
12.	720-0284	Wing Nut	49.	731-2522	Wheel Dust Cover
13.	749-1093B	Lower Handle	50.	715-0221	Pin
14.	725-0157	Cable Tie	51.	717-1761	Spur Gear 14T - LH
15.	782-9065	Hinge Clip		717-1762	Spur Gear 14T - RH
16.	731-2280	Trail Shield	52.	736-0105	Bell Washer .401 ID x .870 OD
17.	710-0896	Hex Screw 1/4-14 x .625	53.	634-0190	Front Wheel Assembly 8 x 1.8
18.	682-3062A	Handle Bracket Assembly - RH	54.	738-1168	Shoulder Screw 3/8
19.	736-3050	Flat Washer .406 ID x .812 OD	55.	747-0710	Hinge Pin
20.	712-0431	Lock Nut 3/8-16	56.	732-1014	Torsion Spring
21.	682-3063A	Handle Bracket Assembly- LH	57.	631-0098	Mulching Baffle (If Equipped)
22.	682-0096	Deck Assembly 22"	58.	731-1034B	Side Discharge Assembly
	682-0110	Deck Assembly 22" (No Sprigs)	59.	736-0270	Bell Washer .265 ID x .75 OD
23.	782-9063	Engine Belt Keeper Bracket	60.	731-1035B	Chute Hinge
24.	710-0654A	Hex Washer Screw 3/8-16 x 1.0	61.	710-0216	Hex Cap Screw 3/8-16 x .75
25.	712-0240	Jam Nut 7/16-20	62.	741-0717	Thrust Bearing .688 ID x 1.938 OD
26.	736-0407	Bell Washer .45 ID x 1.00 OD	63.	732-0984B	Spring Lever
27.	756-1167	Pulley	64.	682-0093	Rear Pivot Arm Assembly
28.	754-0483	V-Belt	65.	738-1127	Shoulder Screw 3/8-16
29.	710-1276	Hex Washer Screw 1/4-20 x .750	66.	736-0182	Spring Washer
30.	782-9062	Transmission Belt Keeper Bracket	67.	734-1864	Rear Wheel Assembly 14 x 1.8
31.	732-0992	Compression Spring	68.	731-2230	Snap Discharge Chute (If Equipped)
32.	782-0585	Forward Height Adjustment Plate - LH	69.	731-1386D	Snap Mulching Plug (If Equipped)
33.	728-0199	Rivet	70.	748-0390	Bearing Spacer
34.	750-1209	Sleeve Spacer .550 ID x 2.5	71.	716-0865	Snap Ring .500
35.	716-0198	Retainer Ring	72.	736-0105	Washer Spacer .401 ID x .870 OD
36.	618-0391A	Transmission Assembly	73.	712-0130	Hex Lock Nut 3/8-16
37.	750-1210	Sleeve Spacer .550 ID x 8.9			

Model Series 520 thru 530



Ref. No.	Part No.	Part Description
1.	618-0392	Upper Housing Assembly
2.	721-0329	Oil Seal .500 ID x .687 OD
3.	741-0673	Flange Bearing .503 ID x .689 OD
4.	736-0520	Flat Washer .504 ID x .700 OD x .030
	736-0711	Flat Washer .504 ID x .700 OD x .035
	736-0712	Flat Washer .504 ID x .700 OD x .040
	736-0713	Flat Washer .504 ID x .700 OD x .045
5.	717-1596	Bevel Gear 44T
6.	715-0139	Roll Pin
7.	711-1595	Output Shaft
8.	719-0538	Lower Housing
9.	710-1276	Hex Washer Screw 1/4-20 x .75
10.	716-0231	E-Ring .750
11.	736-0336	Flat Washer .625 ID x 1.0 OD x .030
	736-0337	Flat Washer .625 ID x 1.0 OD
	736-0349	Flat Washer .63 ID x 1.0 OD x .020
	736-0494	Flat Washer .632 ID x 1.0 OD x .035
	736-0495	Flat Washer .632 ID x 1.0 OD x .035
12.	741-0735	Needle Bearing .625 x .813
13.	719-0537	Upper Housing
14.	736-0336	Flat Washer .625 ID x 1.0 OD x .030
	736-0494	Flat Washer .632 ID x 1.0 OD x .035
15.	711-1390	Input Shaft

MANUFACTURER'S LIMITED WARRANTY FOR:



The limited warranty set forth below is given by MTD LLC with respect to new merchandise purchased and used in the United States, its possessions and territories.

MTD LLC warrants this product against defects for a period of two (2) years commencing on the date of original purchase and will, at its option, repair or replace, free of charge, any part found to be defective in materials or workmanship. This limited warranty shall only apply if this product has been operated and maintained in accordance with the Operator's Manual furnished with the product, and has not been subject to misuse, abuse, commercial use, neglect, accident, improper maintenance, alteration, vandalism, theft, fire, water, or damage because of other peril or natural disaster. Damage resulting from the installation or use of any accessory or attachment not approved by MTD LLC for use with the product(s) covered by this manual will void your warranty as to any resulting damage.

Normal wear parts or components thereof are subject to separate terms as follows: All normal wear parts or component failures will be covered on the product for a period of 90 days regardless of cause. After 90 days, but within the two year period, normal wear part failures will be covered ONLY IF caused by defects in materials or workmanship of OTHER component parts. Normal wear parts and components include, but are not limited to: batteries, belts, blades, blade adapters, grass bags, rider deck wheels, seats, snow thrower skid shoes, shave plates, auger spiral rubber, tires.

HOW TO OBTAIN SERVICE: Warranty service is available, WITH PROOF OF PURCHASE, through your local authorized service dealer. To locate the dealer in your area, check your Yellow Pages, or contact MTD LLC at P.O. Box 361131, Cleveland, Ohio 44136-0019, 1-800-800-7310, 1-330-220-4683 or log on to our Web site at www.mtdproducts.com.

This limited warranty does not provide coverage in the following cases:

- a. The engine or component parts thereof. These items carry a separate manufacturer's warranty. Refer to the applicable manufacturer's warranty for terms and conditions.
- b. Log splitter pumps, valves, and cylinders have a separate one year warranty.
- c. Routine maintenance items such as lubricants, filters, blade sharpening, tune-ups, brake adjustments, clutch adjustments, deck adjustments, and normal deterioration of the exterior finish due to use or exposure.

- d. MTD LLC does not extend any warranty for products sold or exported outside of the United States, its possessions and territories, except those sold through MTD LLC's authorized channels of export distribution.
- e. Parts that are not genuine MTD parts are not covered by this warranty.
- f. Service completed by someone other than an authorized service dealer is not covered by this warranty.
- g. Transportation charges and service calls are not covered.

No implied warranty, including any implied warranty of merchantability of fitness for a particular purpose, applies after the applicable period of express written warranty above as to the parts as identified. No other express warranty, whether written or oral, except as mentioned above, given by any person or entity, including a dealer or retailer, with respect to any product, shall bind MTD LLC. During the period of the warranty, the exclusive remedy is repair or replacement of the product as set forth above.

The provisions as set forth in this warranty provide the sole and exclusive remedy arising from the sale. MTD LLC shall not be liable for incidental or consequential loss or damage including, without limitation, expenses incurred for substitute or replacement lawn care services or for rental expenses to temporarily replace a warranted product.

Some states do not allow the exclusion or limitation of incidental or consequential damages, or limitations on how long an implied warranty lasts, so the above exclusions or limitations may not apply to you.

In no event shall recovery of any kind be greater than the amount of the purchase price of the product sold. **Alteration of safety features of the product shall void this warranty.** You assume the risk and liability for loss, damage, or injury to you and your property and/or to others and their property arising out of the misuse or inability to use the product.

This limited warranty shall not extend to anyone other than the original purchaser or to the person for whom it was purchased as a gift.

HOW STATE LAW RELATES TO THIS WARRANTY: This limited warranty gives you specific legal rights, and you may also have other rights which vary from state to state.