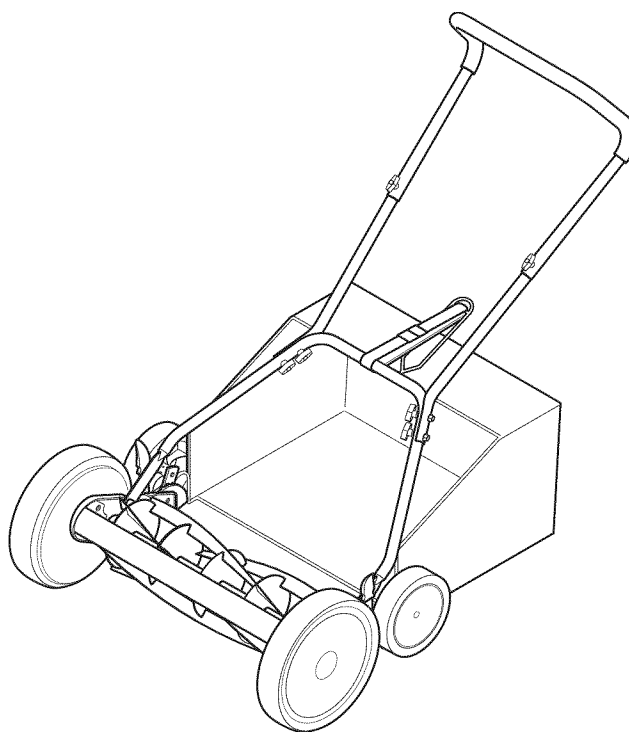


# OPERATOR'S MANUAL



## Reel Mower — Models 3000 & 3100

### **⚠ WARNING**

**READ AND FOLLOW ALL SAFETY RULES AND INSTRUCTIONS IN THIS MANUAL  
BEFORE ATTEMPTING TO OPERATE THIS MACHINE.  
FAILURE TO COMPLY WITH THESE INSTRUCTIONS MAY RESULT IN PERSONAL INJURY.**

---

MTD LLC, P.O. BOX 361131 CLEVELAND, OHIO 44136-0019

---

## Thank You

Thank you for purchasing an MTD Reel Mower. It was carefully engineered to provide excellent performance when properly operated and maintained.

Please read this entire manual prior to operating the equipment. It instructs you how to safely and easily set up, operate and maintain your machine. Please be sure that you, and any other persons who will operate the machine, carefully follow the recommended safety practices at all times. Failure to do so could result in personal injury or property damage.

All information in this manual is relative to the most recent product information available at the time of printing. Review this manual frequently to familiarize yourself with the machine, its features and operation. Please be aware that this Operator's Manual may cover a range of product specifications for various models. Characteristics and features discussed and/or illustrated in this manual may not be applicable to all models. We reserve the right to change product specifications, designs and equipment without notice and without incurring obligation.

If you have any problems or questions concerning the machine, phone your local authorized MTD service dealer or contact us directly. MTD's Customer Support telephone numbers, website address and mailing address can be found on this page. We want to ensure your complete satisfaction at all times.

Throughout this manual, all references to *right* and *left* side of the machine are observed from the operating position

---

## Table of Contents

<b>Safe Operation Practices .....</b>	<b>3</b>	<b>Illustrated Parts List .....</b>	<b>10</b>
<b>Assembly &amp; Set-Up .....</b>	<b>5</b>	<b>Warranty .....</b>	<b>Back Cover</b>
<b>Operation.....</b>	<b>7</b>		
<b>Maintenance &amp; Adjustment.....</b>	<b>8</b>		

---

## Record Product Information

Before setting up and operating your new equipment, please locate the model plate on the equipment and record the information in the provided area to the right. You can locate the model plate by looking near the wheels of the machine. This information will be necessary, should you seek technical support via our web site, Customer Support Department, or with a local authorized service dealer.

### MODEL NUMBER

--	--	--	--	--	--	--	--	--	--	--	--

### SERIAL NUMBER

--	--	--	--	--	--	--	--	--	--	--	--

---

## Customer Support

*Please do NOT return the machine to the retailer or dealer without first contacting the Customer Support Department.*

If you have difficulty assembling this product or have any questions regarding the controls, operation, or maintenance of this machine, you can seek help from the experts. Choose from the options below:

- ◇ Visit us on the web at [www.mtdproducts.com](http://www.mtdproducts.com)
- ◇ Call a Customer Support Representative at (800) 800-7310 or (330) 220-4683
- ◇ Write to MTD LLC • P.O. Box 361131 • Cleveland, OH • 44136-0019



**WARNING:** This symbol points out important safety instructions which, if not followed, could endanger the personal safety and/or property of yourself and others. Read and follow all instructions in this manual before attempting to operate this machine. Failure to comply with these instructions may result in personal injury.

When you see this symbol. **HEED ITS WARNING!**



**DANGER:** This machine was built to be operated according to the safe operation practices in this manual. Carelessness or error on the part of the operator can result in serious injury. This machine is capable of amputating fingers and toes and throwing objects. Failure to observe the following safety instructions could result in serious injury.

## General Operation

1. Read this operator's manual carefully in its entirety before attempting to assemble this machine. Read, understand, and follow all instructions on the machine and in the manual(s) before operation. Keep this manual in a safe place for future and regular reference and for ordering replacement parts.
2. Be completely familiar with the proper use of this machine before operating it.
3. This machine is a precision piece of power equipment, not a plaything. Therefore, exercise extreme caution at all times. This machine has been designed to perform one job: to mow grass. Do not use it for any other purpose.
4. Never allow children under 10 years of age to operate this machine. Children 10 and over should read and understand the instructions and safe operation practices in this manual and on the machine and should be trained and supervised by an adult.
5. Only responsible individuals who are familiar with these rules of safe operation should be allowed to use this machine.
6. Thoroughly inspect the area where the equipment is to be used. Remove all stones, sticks, wire, bones, toys and other foreign objects.
7. To help avoid blade contact, stay in operator zone behind handles and keep children, bystanders, helpers and pets away from mower while it is in operation. Stop machine if anyone enters area.
8. Wear sturdy, rough-soled work shoes and close-fitting slacks and shirts. Shirts and pants that cover the arms and legs and steel-toed shoes are recommended. Never operate this machine in bare feet, sandals, slippery or light-weight (e.g. canvas) shoes.
9. Do not put hands or feet near rotating blades. Contact with blades can amputate fingers and toes.
10. Many injuries occur as a result of the mower being pulled over the foot during a fall caused by slipping or tripping. Do not hold on to the mower if you are falling; release the handle immediately.
11. Be careful when pulling the machine backward. Look down and behind to avoid tripping. Be sure you are well balanced with sure footing.
12. Do not operate the mower while under the influence of alcohol or drugs.
13. Never operate the mower in wet grass. Always be sure of your footing. A slip and fall can cause serious personal injury.
14. Mow only in daylight or good artificial light. Walk, never run.
15. The cutting blade may continue to rotate for a few seconds after the mower has stopped moving. Never place any part of the body in the blade area until you are sure the blade has stopped rotating.
16. Use safe lifting practices when moving mower.
17. Only use parts and accessories made for this machine by the manufacturer. Failure to do so can result in personal injury.
18. If situations occur which are not covered in this manual, use care and good judgement. Contact Customer Support for assistance or the name of the nearest service dealer.

## Slope Operation

Slopes are a major factor related to slip and fall accidents, which can result in severe injury. Operation on slopes requires extra caution. If you feel uneasy on a slope, do not mow it. If the slope is greater than 15 degrees, do not mow it.

### Do:

1. Mow across the face of slopes; never up and down. Exercise caution when changing direction on slopes.
2. Watch for holes, ruts, rocks, hidden objects, or bumps which can cause you to slip or trip. Tall grass can hide obstacles.
3. Always be sure of your footing. A slip and fall can cause serious personal injury.

### Do Not:

1. Do not mow near drop-offs, ditches or embankments, you could lose your footing or balance.
2. Do not mow slopes greater than 15 degrees.
3. Do not mow on wet grass. Unstable footing could cause slipping.

### Children

Tragic accidents can occur if the operator is not alert to the presence of small children. Children are often attracted to the mower and the mowing activity. Children younger than 10 years-old do not understand the dangers. Never assume that children will remain where you last saw them.

1. Keep children younger than 10 years-old out of the mowing area and under watchful care of a responsible adult other than the operator.
2. Be alert and stop mowing if a child or others enter the area.
3. Use extreme care when approaching blind corners, doorways, shrubs, trees, or other objects that may obscure your vision of a child who may run into the mower.
4. Never allow children under 10 years of age to operate this machine. Children 10 and over should read and understand the instructions and safe operation practices in this manual and on the machine and be trained and supervised by an adult.

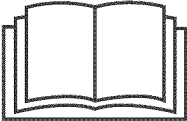
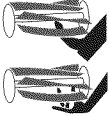

### Service

1. Mower blades are sharp and can cut. Wear gloves, and use extra caution when servicing them.
2. Keep all nuts, bolts, and screws tight to be sure the equipment is in safe working condition.
3. Never tamper with safety devices. Check their proper operation regularly.

---

## Safety Symbols

This page depicts and describes safety symbols that may appear on this product. Read, understand, and follow all instructions on the machine before attempting to assemble and operate.

Symbol	Description
	<b>READ THE OPERATOR'S MANUAL(S)</b> Read, understand, and follow all instructions in the manual(s) before attempting to assemble and operate
	<b>DANGER — ROTATING BLADES</b> To reduce the risk of injury, keep hands and feet away.
	<b>DANGER — BYSTANDERS</b> Do not mow when children or others are around.

## Contents of Crate

- One Upper Handle
- Six Carriage Bolts
- One Grass Catcher (Model 3100)
- Two Mid Handles
- Six Wing Knobs
- One Operator's Manual
- One Lower Handle
- Six Saddle Washers
- One Product Registration Card

## Mower Set-Up

### Attaching the Handle

1. Secure the upper handle to the mid handles with two carriage bolts, two saddle washers and two wing knobs. See Fig. 3-1.

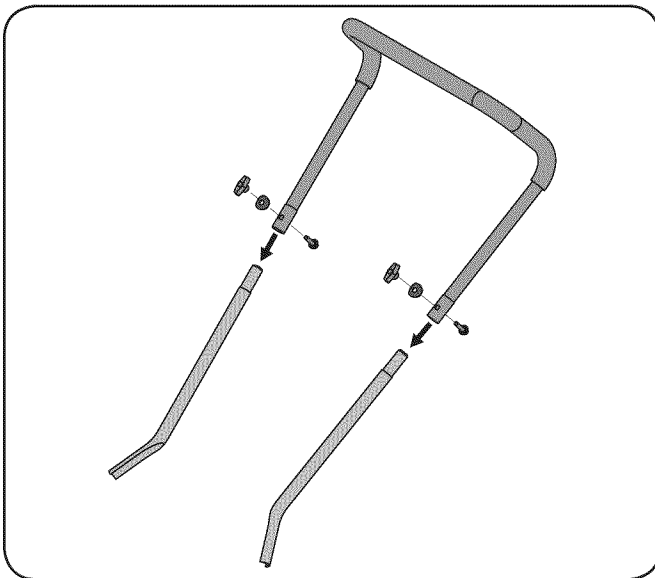


Figure 3-1

2. Secure the handle assembled in step 1 to the lower handle with four carriage bolts, four saddle washers and four wing knobs. See Fig. 3-2.
3. Position the complete handle assembly over the studs on the rear of the mower frame. See Fig. 3-3.

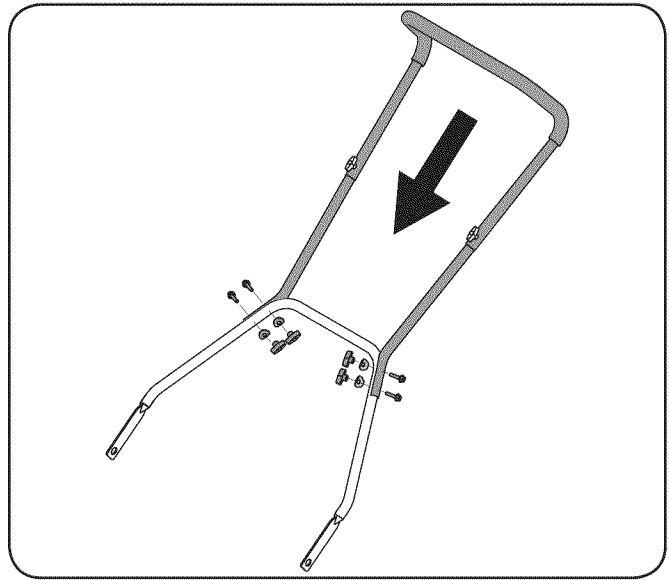


Figure 3-2

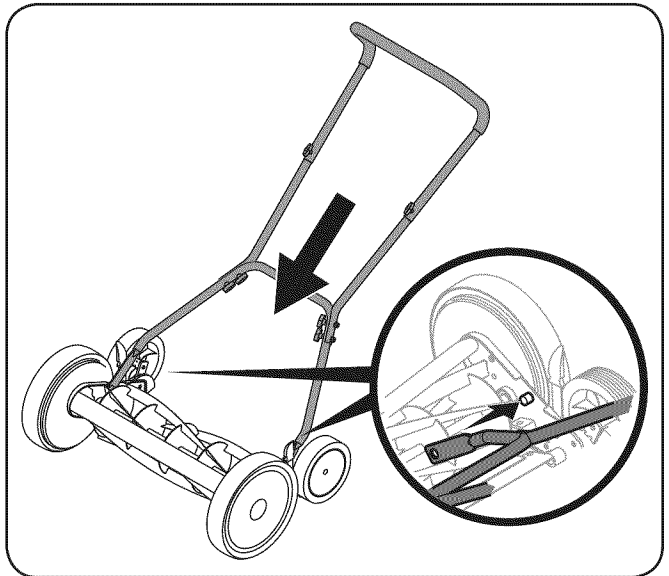


Figure 3-3

## Adjusting the Cutting Height

The cutting height can be adjusted to between approximately  $\frac{3}{4}$ -inch and  $2\frac{1}{2}$ -inches.

1. Move the right-hand height adjustment lever outward and then position it forward (to lower the cutting height) or rearward (to raise the cutting height) before releasing it into the notch for your desired height. See Fig. 3-4.

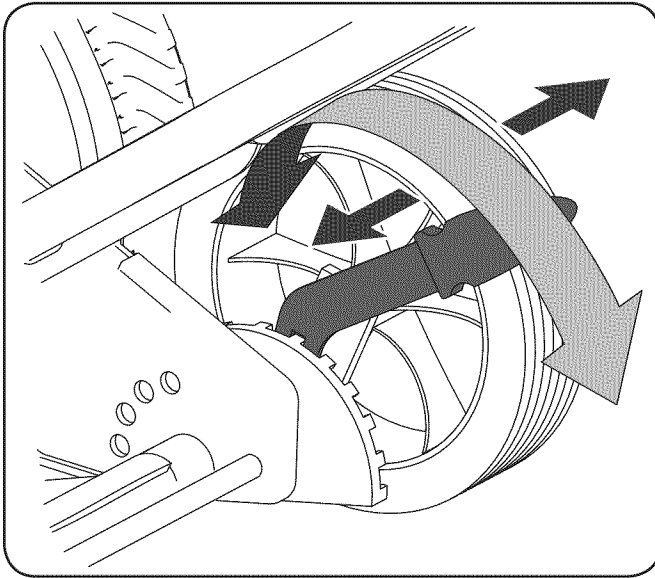


Figure 3-4

2. Repeat Step 1 on the left-hand side making sure to release the height adjustment lever into the corresponding notch.

## Attaching the Grass Catcher (Model 3100)

1. Expand the grass catcher from its collapsed position by opening up the hinges found on the inside of its frame.
2. Position the grass catcher hooks over the rod on the rear of the mower. See Fig. 3-5.

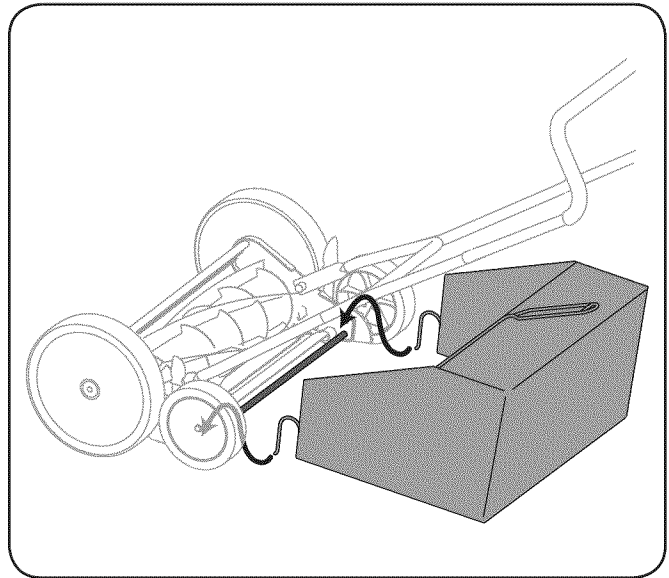


Figure 3-5

3. Position the strap through the grass catcher's handle and over the mower's lower handle crossbar to support the rear of the grass catcher. See Fig. 3-6. Adjust the length of the strap so that the bag is low to the ground but not dragging on the ground.

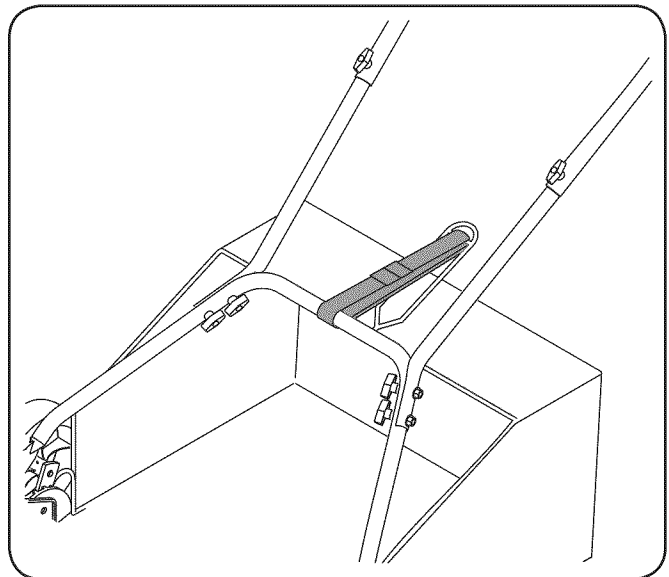


Figure 3-6

## Using Your Lawn Mower

Please observe the following when operating your reel mower.

- Be sure lawn is clear of stones, sticks, wire, or other objects which could damage lawn mower or engine.



**WARNING:** The operation of any lawn mower can result in foreign objects being thrown into the eyes, which can damage your eyes severely. Always wear safety glasses while operating the mower, or while performing any adjustments or repairs on it.

- Mow the lawn when the grass is relatively dry. Attempting to mow wet grass can result in an uneven cut.
- Maintain a consistent walking pace while pushing the mower in straight passes.
- Slightly overlap each pass to even the cut and avoid leaving uncut strips.
- Mow the lawn regularly, at *least* once a week during the growing season. Mow more frequently than you would with a conventional rotary lawn mower.
- Always mow with the blade height adjusted to cut no more than  $\frac{1}{3}$  the total height of grass.
- If the height of your lawn's grass exceeds four inches, adjust the blade height to its highest position before mowing. After mowing, readjust the blade to your preferred cutting height and mow the lawn a second time within the next one or two days.

## Using Grass Catcher (Model 3100)

You can use the grass catcher to collect clippings while you are operating the mower.

1. Attach grass catcher following instructions in the Assembly & Set-Up section. Grass clippings will automatically collect in catcher as you operate the mower. The faster you push the mower, the more effectively it will collect clippings. Operate the mower till grass catcher is full.
2. Remove the grass catcher's strap from the lower handle's crossbar and lift the grass catcher up and away from the mower to remove the bag. Dispose of the grass clippings and reinstall the bag when complete.



**WARNING:** If you strike a foreign object, thoroughly inspect mower for any damage. Repair any damage before operating.

## Transporting the Mower

During normal operation, the blade reel will turn anytime the mower's front wheels are turning. To safely move the mower from one location to another without the blade reel turning, simply pivot the handle over the reel and push the mower

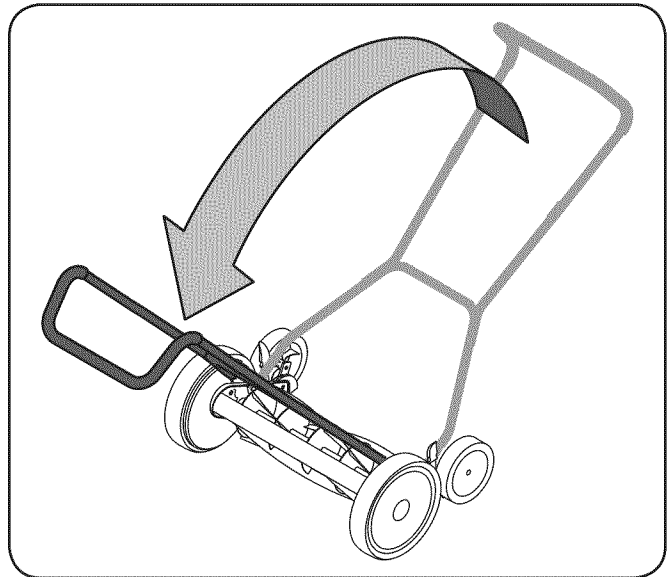


Figure 4-1

from the opposite side. See Fig. 4-1. Pushing the mower in this manner (transport mode) prohibits the blade reel from turning.

## Maintenance

### General Recommendations

- Always observe safety rules when performing any maintenance.
- The warranty on this lawn mower does not cover items that have been subjected to operator abuse or negligence. To receive full value from warranty, operator must maintain the lawn mower as instructed here.
- All adjustments should be checked at least once each season.
- Periodically check all fasteners and make sure these are tight.
- Regularly apply lubricant to mower's cutting surfaces, cutting reel axle shaft and wheels.

### Cleaning the Mower

To prevent the build-up of grass clippings or other debris, clean the mower by wiping it down with a damp cloth after each use.

- Scrape and clean the mower with a suitable tool (e.g. a plastic scraper or brush).
- Do not use a pressure washer or garden hose to clean the mower.
- Remove deposits from the wheel tread.

### Blade Care



**WARNING:** Mower blades are sharp and can cut. Wear gloves, and use extra caution when servicing them.

Periodically sharpen the blades as follows:

1. Spread a thin layer of lapping compound (100 - 240 grit) on the front edge of the reel blades.
2. Adjust the cutter bar so that the blade has light but firm contact across the full width of the cutter bar. Refer to Blade Clearance Adjustment later in this section.
3. Operate the mower on a paved surface until the front edge of the cutter bar blade is polished.
4. Clean any grinding compound or debris from the cutter bar blade, reel blade, pinions, and pawls.

## Adjustments



**WARNING:** Mower blades are sharp and can cut. Wear gloves, and use extra caution when servicing them. Any wheel rotation can cause the blade reel to rotate.

### Blade Clearance Adjustment

The blade reel is adjusted for proper clearance from the cutting bar at the factory. However, after extended periods of mowing or as part of annual maintenance, it is recommended that the blade clearance be readjusted.

- If blade clearance is too wide, the cutting pattern will be rough and uneven.
- If blade clearance is too narrow, the machine will be noisy and difficult to push while operating.

To adjust blade clearance, proceed as follows:

1. Locate the adjustment bolts found on the underside of the cutting bar on the rear of the mower.
2. Using a 13mm wrench, tighten the adjustment bolts (one on each end) 1/4-turn. See Fig. 5-1.



**CAUTION:** Do not overtighten the adjusting screws, as this could damage the cutter bar. Tighten both screws during final adjustment.

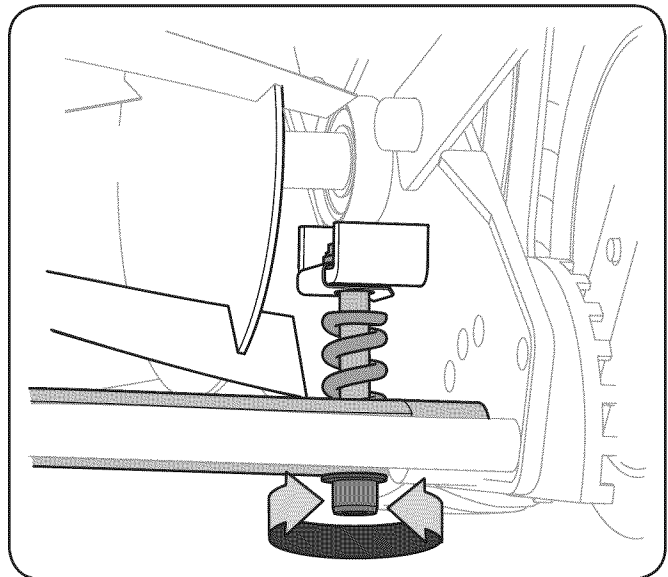
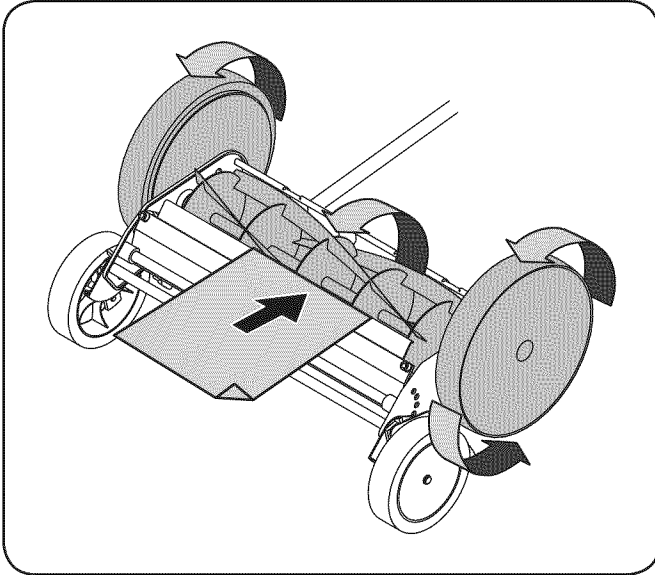


Figure 5-1



3. To test for proper adjustment:
  - a. Lean the mower all the way back so that it's resting on the handle.
  - b. Use one hand to slowly rotate the wheel of the mower, causing the blade reel to slowly turn. If the wheel is too difficult to turn, slightly loosen each adjustment screw.
  - c. While the blade reel is turning, insert a sheet of paper between the blade reel and the cutting bar. See Fig. 5-2. The paper should shear evenly along the entire length of the cutter bar, as if being cut by scissors. If the paper doesn't shear, slightly tighten each adjustment screw and repeat the test.



**Figure 5-2**



## Models 15A-3000 & 15A-3100

Ref.	Part Number	Description
1	720-04167	Grip, Handle, 26 x 16 x 630
2	749-04811	Handle, Upper
3	749-04812	Handle, Middle
4	720-04169	Knob, Orange
5	749-04813	Handle, Lower (Model 3000)
5	749-04814	Handle, Lower (Model 3100)
6	710-05321	Bolt, M6 x 35gb/T12
7	711-05531	Shaft, Rear, Black (Model 3000)
7	711-05533	Shaft, Rear, Black (Model 3100)
8	712-04292	Nut, M8, Gb/T6172.2
9	736-04563	Washer, 17 x 8.2 x 1.2
10	711-05534	Pin, (Model 3000)
10	711-05535	Pin, (Model 3100)
11	710-05322	Screw, M8-16gbt70.2
12	787-01986	Bracket, Rear, LH, Black
13	787-01961	Handle, Adjustment, Orange
14	734-04605	Wheel, Rear
15	736-04564	Washer, 17 x 8.2 x 1.2
16	736-04565	Washer, Gb/T955
17	736-04566	Washer, 20 x 13 x 1
18	710-05323	Bolt, M8 x 24
19	787-01965	Bracket, Lower Blade, Black (Model 3000)
19	787-01967	Bracket, Lower Blade, Black (Model 3100)
20	712-04293	Nut, M8 x 1
21	732-04854	Spacer, 65mm, 17 x 4 x 48
22	710-05324	Bolt, M8 x 1 x 65
23	736-04567	Washer, 25 x 6.5 x 1.5

Ref.	Part Number	Description
24	710-05325	Bolt, M6x20, Gb/T5780
25	731-08254	Hub Cap
26	734-04607	Wheel, Complete
27	787-01969	Bracket, Black
28	736-04568	Washer, Spacer, Gb/T7244
29	787-01973	Bracket, Support, LH, Black
30	736-04569	Washer, 20x10.2x1.4
31	712-04294	Nut, M10, Gb/T6172.2
32	717-04917	Gear, 41mm, Pa66
33	787-01976	Support, 19 x 10 x 5
34	736-04570	Washer, 34 x 15.5 x 1
35	741-04514	Bearing, 6002z
36	742-04362	Blade, Roller (Model 3000)
36	742-04363	Blade, Roller (Model 3100)
37	787-01978	Shield, Deflector (Model 3000)
37	787-01980	Shield, Deflector (Model 3100)
38	787-01982	Bracket, Support, RH, Black
39	711-05536	Axle, Wheel, 19x65.5
40	712-04295	Nut, M8, Gb/T6170
41	710-05326	Bolt, M8x16gb/T5781
42	787-01985	Bracket, Adjustment, 9 Tooth RH
	787-01994	Bracket, Adjustment, 9 Tooth LH
43	787-01988	Bracket, Rear, RH, Black
44	710-05327	Bolt, M6x10 Gb/T5780
45	764-04133	Grass Bag (Model 3100)
46	727-04374	Strap, Grass Bag (Model 3100)
47	736-04573	Saddle Washer

# MANUFACTURER'S LIMITED WARRANTY FOR



The limited warranty set forth below is given by MTD LLC with respect to new merchandise purchased and used in the United States and/or its territories and possessions, and by MTD Products Limited with respect to new merchandise purchased and used in Canada and/or its territories and possessions (either entity respectively, "MTD").

"MTD" warrants this product (excluding its *Normal Wear Parts and Attachments* as described below) against defects in material and workmanship for a period of two (2) years commencing on the date of original purchase and will, at its option, repair or replace, free of charge, any part found to be defective in materials or workmanship. This limited warranty shall only apply if this product has been operated and maintained in accordance with the Operator's Manual furnished with the product, and has not been subject to misuse, abuse, commercial use, neglect, accident, improper maintenance, alteration, vandalism, theft, fire, water, or damage because of other peril or natural disaster. Damage resulting from the installation or use of any part, accessory or attachment not approved by MTD for use with the product(s) covered by this manual will void your warranty as to any resulting damage.

*Normal Wear Parts* are warranted to be free from defects in material and workmanship for a period of thirty (30) days from the date of purchase. Normal wear parts include, but are not limited to items such as: batteries, belts, blades, blade adapters, tines, grass bags, wheels, rider deck wheels, seats, snow thrower skid shoes, friction wheels, shave plates, auger spiral rubber, engine oil, air filters, spark plugs and tires.

*Attachments* — MTD warrants attachments for this product against defects in material and workmanship for a period of one (1) year, commencing on the date of the attachment's original purchase or lease. Attachments include, but are not limited to items such as: grass collectors and mulch kits.

**HOW TO OBTAIN PARTS AND SERVICE:** Warranty service is available, WITH PROOF OF PURCHASE, through your local authorized service dealer. To locate the dealer in your area:

## In the U.S.A.

Check your Yellow Pages, or contact MTD LLC at P.O. Box 361131, Cleveland, Ohio 44136-0019, or call 1-800-800-7310, 1-330-220-4683 or log on to our Web site at [www.mtdproducts.com](http://www.mtdproducts.com).

## In Canada

Contact MTD Products Limited, Kitchener, ON N2G 4J1, or call 1-800-668-1238 or log on to our Web site at [www.mtdcanada.com](http://www.mtdcanada.com).

This limited warranty does **not** provide coverage in the following cases:

- a. Log splitter pumps, valves, and cylinders have a separate one-year warranty.
- b. Routine maintenance items such as lubricants, filters, blade sharpening, tune-ups, brake adjustments, clutch adjustments, deck adjustments, and normal deterioration of the exterior finish due to use or exposure.

- c. Service completed by someone other than an authorized service dealer.
- d. MTD does not extend any warranty for products sold or exported outside of the United States and/or Canada, and their respective possessions and territories, except those sold through MTD's authorized channels of export distribution.
- e. Replacement parts that are not genuine MTD parts.
- f. Transportation charges and service calls.
- g. MTD does not warrant this product for commercial use.

**No implied warranty, including any implied warranty of merchantability or fitness for a particular purpose, applies after the applicable period of express written warranty above as to the parts as identified. No other express warranty, whether written or oral, except as mentioned above, given by any person or entity, including a dealer or retailer, with respect to any product, shall bind MTD. During the period of the warranty, the exclusive remedy is repair or replacement of the product as set forth above.**

**The provisions as set forth in this warranty provide the sole and exclusive remedy arising from the sale. MTD shall not be liable for incidental or consequential loss or damage including, without limitation, expenses incurred for substitute or replacement lawn care services or for rental expenses to temporarily replace a warranted product.**

Some states do not allow the exclusion or limitation of incidental or consequential damages, or limitations on how long an implied warranty lasts, so the above exclusions or limitations may not apply to you.

In no event shall recovery of any kind be greater than the amount of the purchase price of the product sold. **Alteration of safety features of the product shall void this warranty.** You assume the risk and liability for loss, damage, or injury to you and your property and/or to others and their property arising out of the misuse or inability to use the product.

This limited warranty shall not extend to anyone other than the original purchaser or to the person for whom it was purchased as a gift.

**HOW STATE LAW RELATES TO THIS WARRANTY:** This limited warranty gives you specific legal rights, and you may also have other rights which vary from state to state.

**IMPORTANT:** Owner must present Original Proof of Purchase to obtain warranty coverage.

**MTD LLC, P.O. BOX 361131 CLEVELAND, OHIO 44136-0019; Phone: 1-800-800-7310, 1-330-220-4683  
MTD Canada Limited - KITCHENER, ON N2G 4J1; Phone 1-800-668-1238**