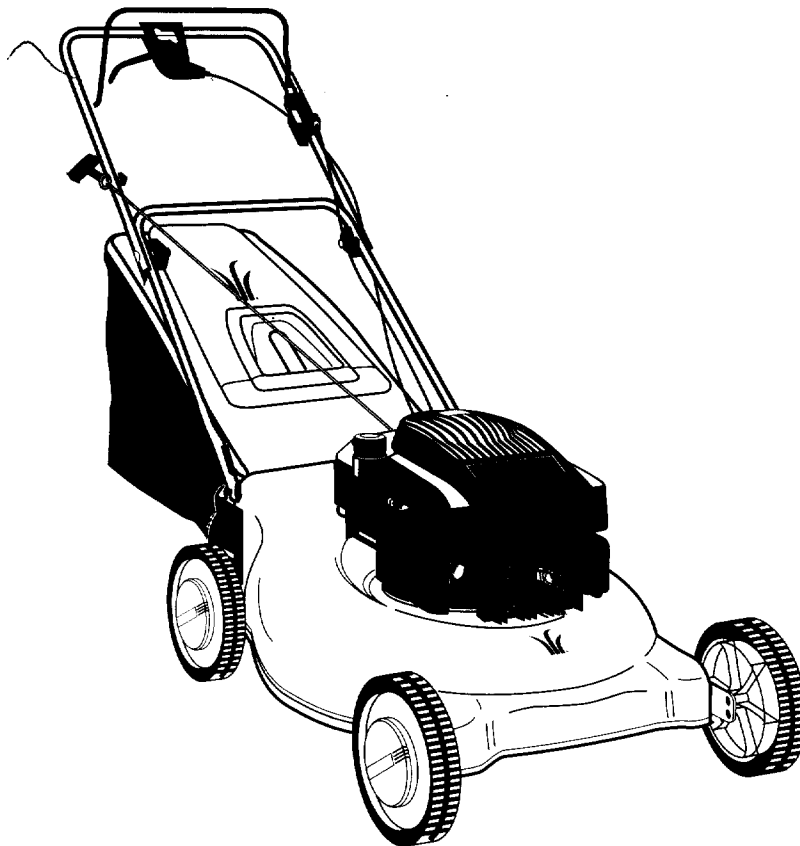




Illustrated Parts Book



MODELS

260-262 \ 370-388 \ 445-E458

SELF PROPELLED MOWERS

1997

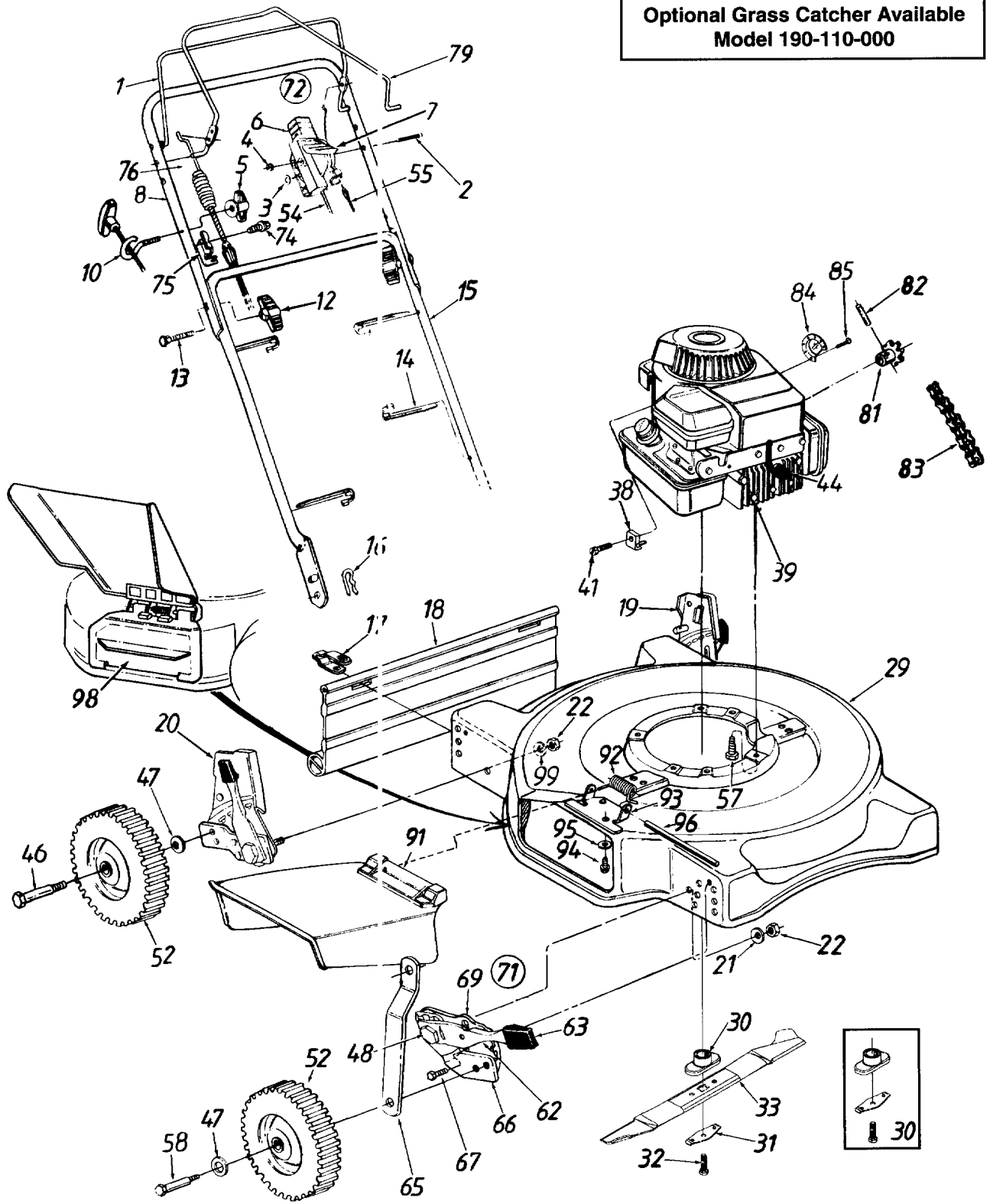
MTD PRODUCTS INC • P.O. BOX 368022 • CLEVELAND, OHIO 44136-9722

PRINTED IN U.S.A.

FORM NO. 770-97-2B
(R970430)

Models 260 and 262

Optional Grass Catcher Available
Model 190-110-000

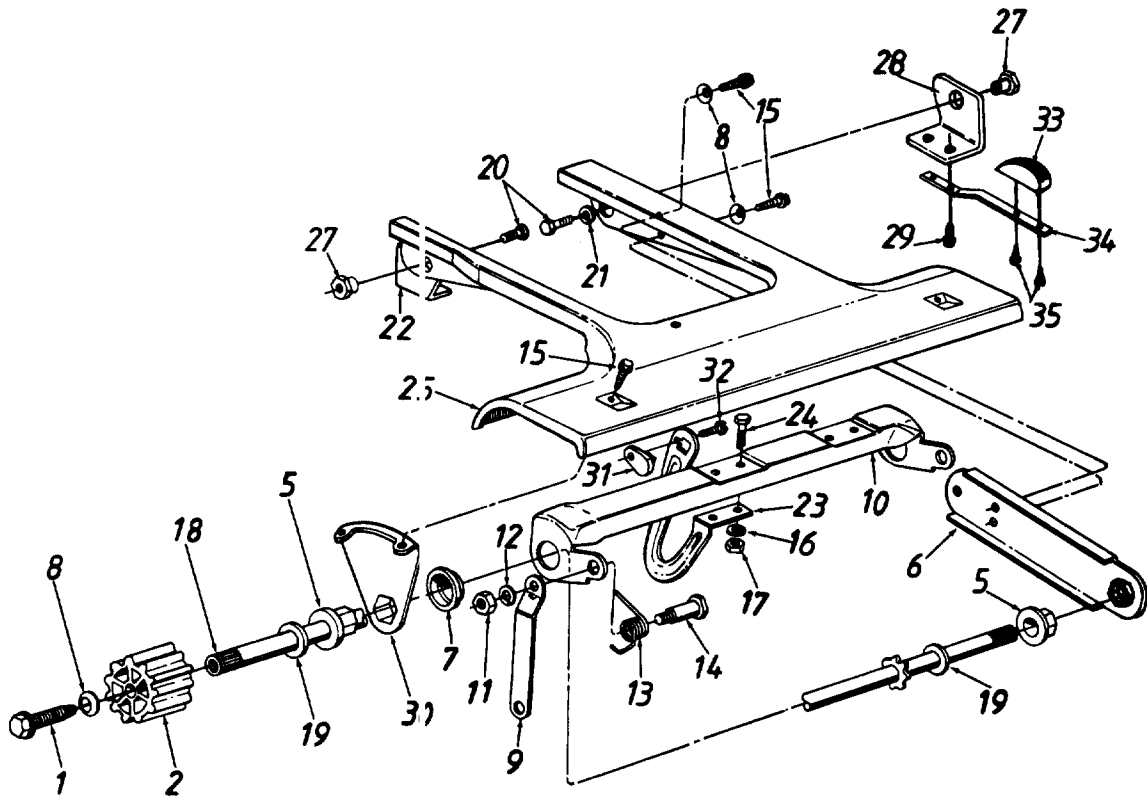


Models 260 and 262

REF. NO.	PART NO.	DESCRIPTION	REF. NO.	PART NO.	DESCRIPTION
1	747-0824	Control Handle	51	15261A	Height Adj. Plate
2	710-0605	Oval C-Sunk Mach. Scr.	52	734-1174A	Front Wheel Ass'y. Comp.
3	736-0501	Spr. Wash. .66" I.D.	53	14578	Height Adj. Ass'y. Comp.—R.H.
4	712-0324	Hex L-Nut 1/4-20 Thd.		14579	Height Adj. Ass'y. Comp.—L.H. (Not Shown)
5	720-0279	Handle Knob 1/4-20 Thd.	54	746-0842	Throttle Control Wire—51"
6	646-0875	Throttle Body	55	746-0550	Control Cable—51"
7	746-0876	Throttle Lever	57	710-0654A	Hex L-Wash. Hd. Scr. 3/8-16 x 1.0" Lg.
8	749-0538C	Upper Handle	58	738-0102	Rear Axle Bolt
10	710-1205	Rope Guide	62	732-0417A	Spring Lever
12	720-0276	Hand Knob	63	720-0190	Spring Lever Knob
13	710-1174	Curved Hd. Bolt 5/16-18 x 2"Lg.	65	16532B	Link 5.3" Lg.
14	726-0240	Cable Tie	66	14765	Pivot Bar R.H.
15	749-0928	Lower Handle		14766	Pivot Bar L.H. (Not Shown)
16	714-0104	Hairpin Cotter	67	710-0896	Hex L-Wash. Hd. AB-Tap Scr. 1/4 x .62" Lg.
17	17098	Hinge Clip	69	14764C	Index Plate
18	731-1029	Rear Flap	71	16106	Front Height Adj. Ass'y.—R.H.
19	682-3025	Handle Bracket Ass'y.—L.H.		16107	Front Height Adj. Ass'y.—L.H. (Not Shown)
20	682-3024	Handle Bracket Ass'y.—R.H.	72	811-00303	Throttle Box Comp. (Incl. Ref. 2, 3, 4, 6, 7)
21	736-0105	Bell-Wash. .39" I.D. x 1.38"	74	710-0726	Hex Wash. AB-Tap Scr. 5/16 x .75" Lg.
22	712-0798	Hex Nut 3/8-16 Thd.*	75	16309A	Cable Brkt.
29	682-0221	22" Deck Ass'y.	76	746-0626	Clutch Cable w/Spring—47"
30	753-0588	Blade Adapter Kit	79	747-0854	S.P. Bail Ass'y.
31	736-0524A	Blade Bell Support	81	713-0449	9 Tooth Sprocket Ass'y.
32	710-1044	Hex Bolt 3/8-24 x 1.5" Lg.	82	715-0247	Spring Pin Spir. 3/16" Dia. x 1"Lg.
33	742-0642	Blade 22" Std. w/Star	83	713-0311	#48 Chain 1/2" Pitch 50 Links (Endless)
38	751B213146	Cable Clamp	84	751-0345A	Exhaust Deflector
39	—	Engine	85	710-0227	Hex AB-Tap Scr. #8 x.5" Lg.
41	710-1237	Hex Wash. Hd. Scr. #10-32 x .62"	91	731-1034	Chute Deflector Ass'y.
44	735-0639	Spark Plug Boot (Optional)	92	732-0593	Torsion Spring
46	738-0144	Front Axle Bolt	93	17032	Adapter Plate
47	736-0105	Bell-Wash. .400" I.D. x .88"	94	710-0599	Hex Self-Tap Scr. 1/4-20 x .5" Lg.
48	738-0507B	Shld. Bolt .50" Dia. x .357"	95	736-0270	Bell-Wash. 1/4" I.D.
49	14832	Spring Lever Ass'y. w/Knob	96	747-0710	Hinge Pin
50	15262B	Pivot Bar	98	731-1386A	Mulching Plug (Optional)
			99	736-0356	Bell-Wash. .39" I.D. x 1.38" O.D.

*For faster service obtain standard nuts, bolts and washers locally. If these items cannot be obtained locally, order by part number and size as shown on parts list.

Models 260 and 262



PARTS LIST FOR MODELS 260 AND 262 ROTARY MOWERS

REF. NO.	PART NO.	DESCRIPTION	REF. NO.	PART NO.	DESCRIPTION
1	710-1115	Hex Scr. 1/4-20 x .75" Lg. (Gr. 5)	18	638-0004	Drive Shaft Ass'y.
2	731-0908	Wheel Drive Pinion	19	736-0160	Fl-Wash. .531" I.D. x .93" O.D.
5	741-0503	Hex Flange Brg. .504" I.D.	20	710-0168	Hex Bolt 3/8-16 x .5" Lg.
6	17018	Hex Bearing Support	21	736-0169	L-Wash. 3/8" I.D.*
7	741-0504	Flange Bearing .879" I.D.	22	17616	Pivot Bracket—R.H.
8	736-0270	Bell-Wash. .265" I.D. x .75" O.D.	23	17185	Engagement Arm
9	16532B	Link 5.06" Lg.	24	710-0258	Hex Bolt 1/4-20 x .62" Lg.
10	16832A	Drive Engagement Cam	25	17725A	Front Pinion Pivot Cover
11	712-0267	Hex Nut 5/16-18 Thd.*	27	738-0529	Shld. Nut .625" Dia. x .165"
12	736-0119	L-Wash. 5/16" I.D.*	28	17617	Pivot Bracket—L.H.
13	732-0569A	Torsion Spring—R.H.	29	710-0892	Hex Wash. Hd. AB-Tap Scr. 1/4 x .62"
	732-0570A	Torsion Spring—L.H. (No Shown)	30	17017	Hex Bearing Axle Brkt.
14	738-0754	Shoulder Bolt .437" Dia.	31	746-0606	Barrel Cable Hold-Down—R.H.
15	710-0892	Hex Wash. Hd. AB-Tap Scr. 1/4 x .62"	32	710-0919	Hex B-Tap Scr. #10 x .44" Lg.
16	736-0329	L-Wash. 1/4" I.D.*	33	731-1136	Chain Tensioner
17	712-0287	Hex Nut 1/4-20 Thd.*	34	732-0635	Cantilever Spring
			35	710-0429	Hex B-Tap Scr. #10 x .38" Lg.

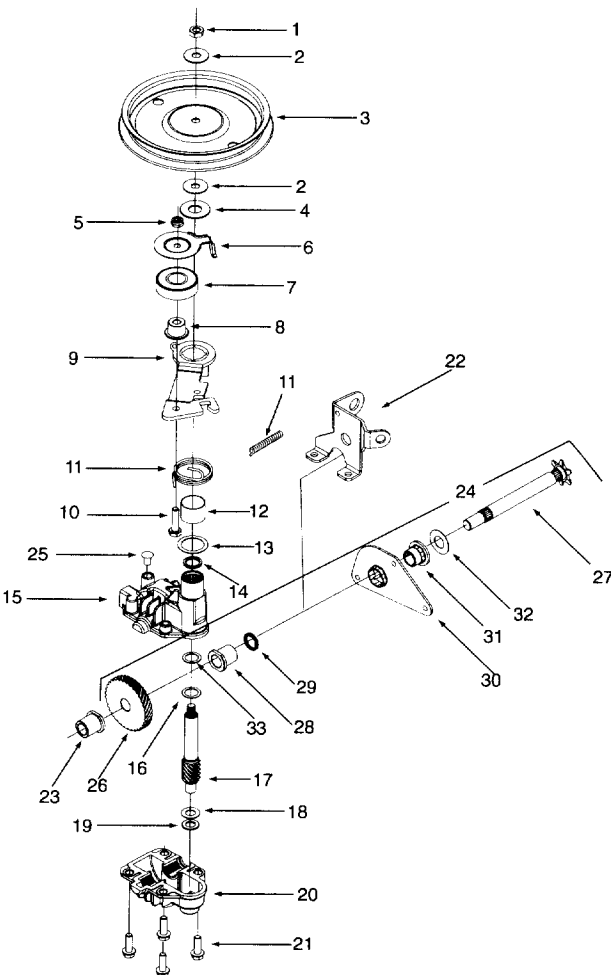
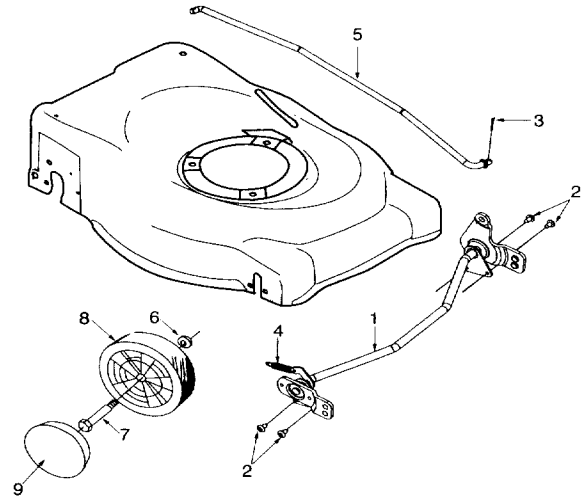
*For faster service obtain standard nuts, bolts and washers locally. If these items cannot be obtained locally, order by part number and size as shown on parts list.

Models 370 thru 389

Front Axle Assembly & Height Adjuster

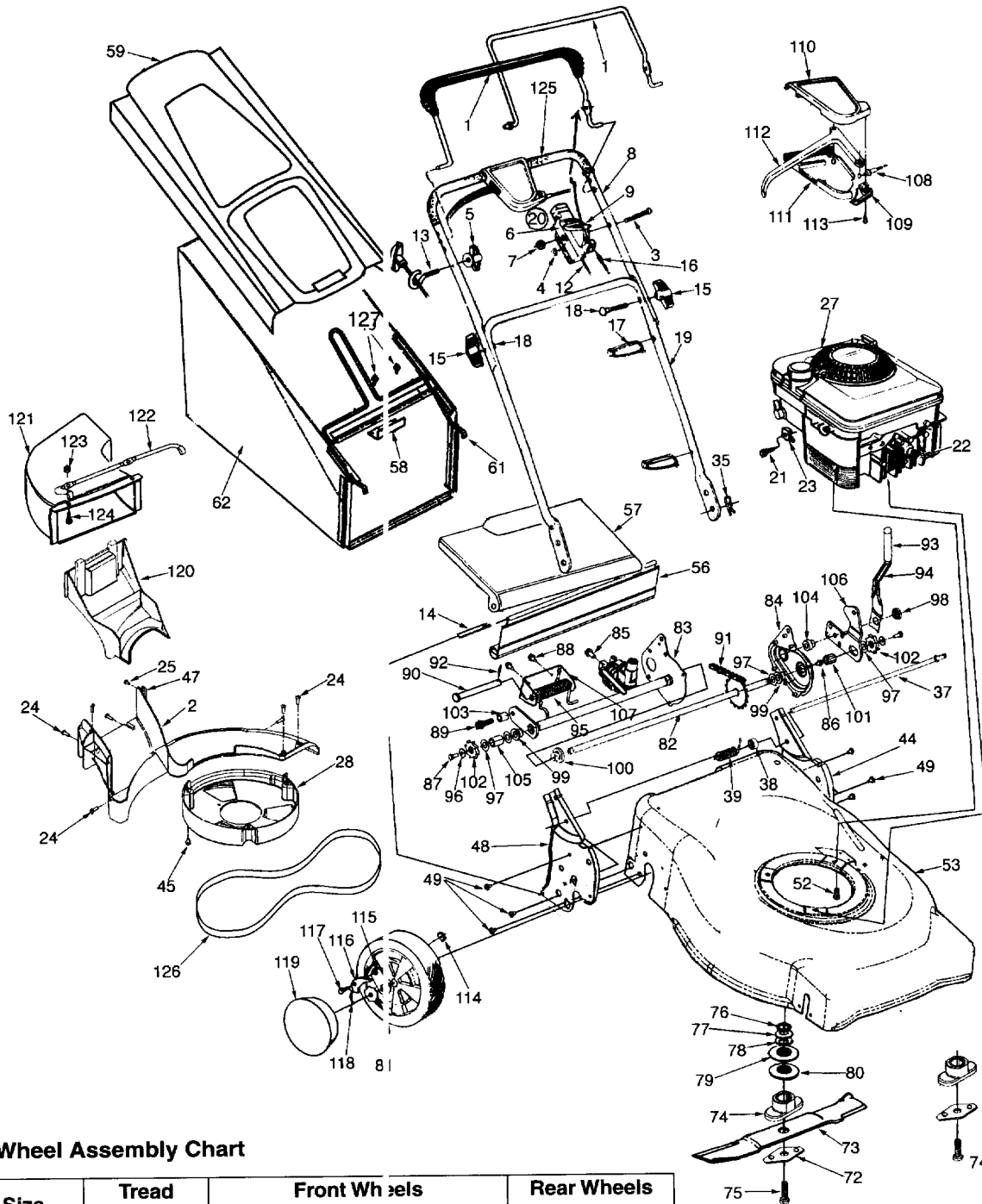
REF. NO.	PART NO.	DESCRIPTION
1	611-0060	Axle Ass'y, Frt.
2	710-1348	AB Pan Scr. 1/4-14 x .50 Lg.
3	714-0507	Cotter Pin 3/32 x .750
4	732-0820	Ext. Spring
5	747-0920	Adj. Rod
6	736-0105	Spr. Washer
7	738-0102	Shl. Bolt .498 x 1.445 3/8-16
8	††	Wheel Ass'y - Complete
9	†	Hub Cap

† See Wheel and Hub Cap Chart on Page 6.



REF. NO.	PART NO.	DESCRIPTION
1	712-3025	Hx. Jam Nut 5/16-24
2	736-0425	Bell Wash. .325 x .930 x .045
3	756-0656	Pulley
4	736-3084	Fl. Wash. .510 x 1.120 x .060
5	712-0896	Hx. Jam Nut 1/4-28
6	782-7598	Belt Keeper
7	741-0600	Bearing
8	750-1050	Flange Spacer
9	682-0027A	Idler Bracket Ass'y.
10	710-0299	Hx. Cap Scr. 1/4-28 x 1.00 Gr. 5
11	732-0849	Torsion Spring
12	741-0682	Bearing Sleeve
13	736-0570	Fl. Wash. .885 x 1.145 x .030
14	721-0329	Oil Seal
15	618-0253	Upper Housing Ass'y.
16	736-0616	Fl. Wash. .504 x .700 x .030
17	717-1487	Pinion Shaft 10 T.
18	736-0314	Thr. Wash. 3/8 x .70 x .030
19	736-0569	Thr. Wash. .388 x .625 x .062
20	618-0252	Lower Housing Ass'y.
21	710-0642	Hx. Scr. 1/2-20 x .75
22	782-7601A	Cable Bracket
23	741-0674	Bearing
24	611-0066	Shaft Ass'y.
25	721-0325	Plug
26	717-1469	Gear 34 T.
27	711-1168	Output Shaft 6 T.
28	741-0673	Flange Bearing
29	721-0329	Oil Seal
30	782-7595	Pivot Bracket
31	741-0324	Flange Bearing
32	736-0369	Wash. Fl. .508 I.D. x 1.00 O.D. x .020
33	741-0690	Thrust Bearing
-	618-0263A	Transmission Complete

Models 370 thru 379



†† Wheel Assembly Chart

Size	Tread Type	Front Wheels		Rear Wheels
		Part No.	Bearings	Part No.
8" x 1.75"	Bar Tread	634-0020	---	634-0020
8" x 1.75"	"T" Tread	734-1268	741-0484	734-1412
8" x 2"	"S" Wave	734-1790	741-04840	734-1791
		(Yellow Rim)		(Yellow Rim)
8" x 2"	"S" Wave	734-1821	741-0484	734-1826
8" x 2"	"S" Wave	734-1826	---	734-1826
8" x 2"	Link Tread	734-1819	741-0484	734-1824

† Optional Hub Caps

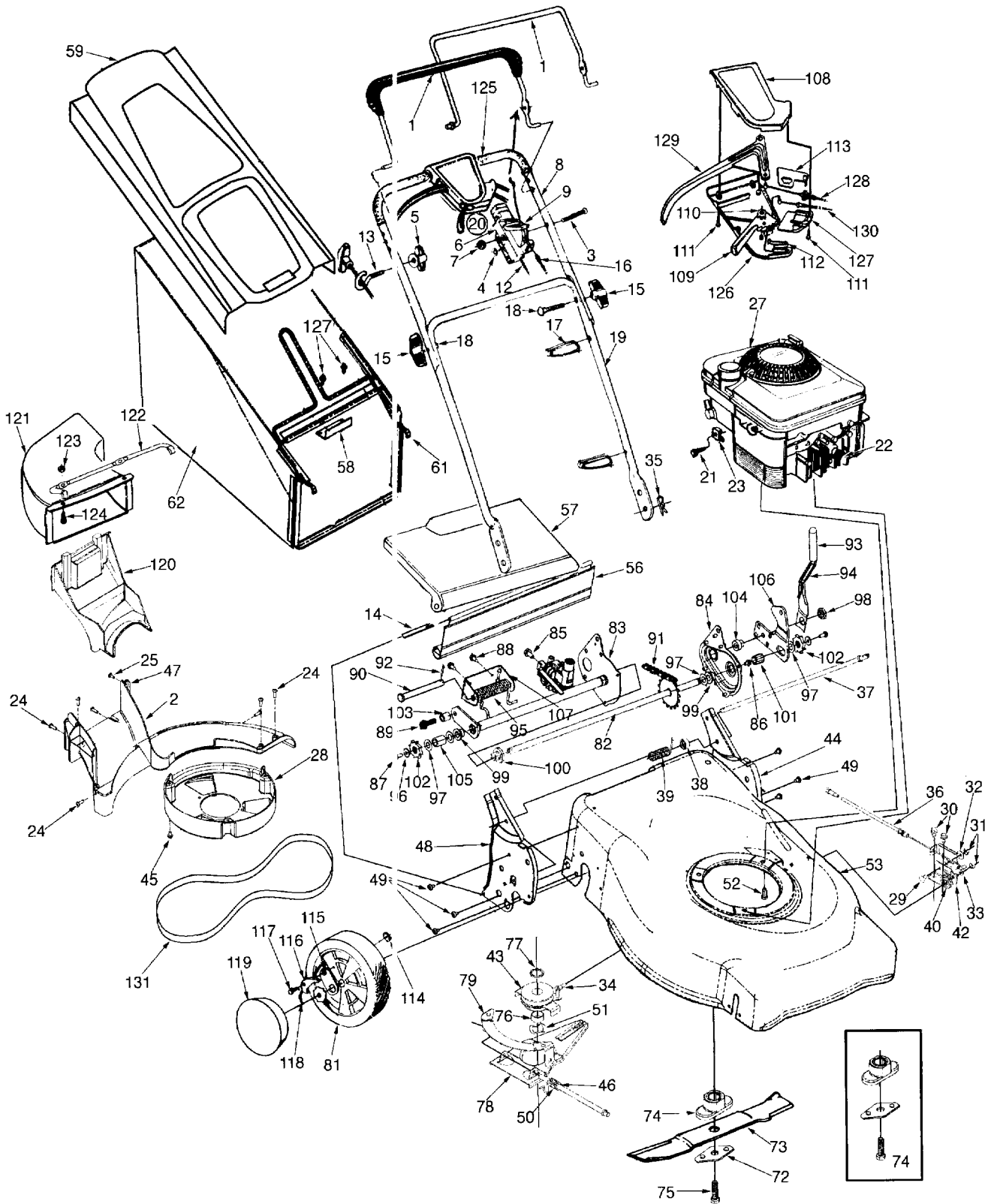
Description	Part No.
Gray (3-1/2" Dia.)	720-0249
Black (4-1/4" Dia.)	731-0354
Gray (4-1/4" Dia.)	731-0355A
Gray (5-1/2" Dia.)	731-0981A
Yellow (5-1/2" Dia.)	731-1426

Models 370 thru 379

REF. NO.	PART NO.	DESCRIPTION	REF. NO.	PART NO.	DESCRIPTION
1	747-0824	Control Handle Ass'y (Std.)	61	747-0919	Catcher Frame
	647-0004	Control Handle Ass'y (Deluxe)	62	664-0080	Grass Bag - Black
2	731-1639	Baffle		664-0079	Grassbag- Soft top w/MTD Logo
3	710-0605	Oval C-Sunk Mach.-Scr.	72	736-0524A	Blade Bell Support
4	736-0501	Spr.Wash..66" I.D.	73	742-0741	21" Mulching Blade w/Star
5	720-0279	Handle Knob 1/4-20 Thd.		742-0641	21" Std. Blade W/Star
6	646-0875	Throttle Body	74	753-0609	Blade Adaptor Kit w/Star
7	712-0324	Hex L-Nut 1/4-20	75	710-1257	Hex Bolt 3/8-24 x 2.5 Lg.
8	749-0439B	Upper Handle	76	748-0358	Spacer
9	746-0876	Throttle Lever	77	736-0514	Fl. Wash. .885 x 1.85 x .06
12	746-0843	Throttle Control Wire-55"	78	736-0513	Spr. Wash. .890 x .7x .04
	746-0848	Throttle Control Wire-47"	79	756-0962	Pulley Half - Upper
	746-0841	Throttle Control Wire-60"	80	756-0979	Pulley Half - Lower
13	710-1205	Rope Guide	81	††	Wheel Assembly
14	732-0700	Wire-47" Lg.	82	638-0005	Axle Assy: RR
15	720-0276	Hand Knob	83	682-7518	Axle Assy: Trans.
16	746-0554	Control Cable-40.5"	84	682-7524	Cover Ass'y - Chain
	746-0555	Control Cable-55"	85	710-0604	Scr. TT 5/16-18
	746-0551	Control Cable-43"	86	710-0653	Scr. TT 1/4-20
17	726-0240	Cable Tie	87	710-0751	Hx Cap Screw 1/4-20
18	710-1174	Cr.Hd. Bolt 5 / 16-18 x 2" Lg.	88	710-0896	Scr. AB 1/4-20
19	749-0907	Lower Handle	89	710-1315	Scr 3/8 - 16 x 1.25
20	811-00303	Throttle Box Comp. (Incl. Ref. 3, 4,6,7,9)	90	711-0835	Pin - Clv. .500 Dia.x.4.62 Lg.
21	710-1237	Hex Self-Tap Scr. #10-32 x .62"	91	713-0421	Chain:Endless 48:500P x 22 Lg.
	710-0871	Hex Sems Scr. #10-32 x .3" Lg.	92	714-0474	Pin-Cotter .125 O.D. x .75
22	735-0639	Spark Plug Boot	93	720-0230	Grip-Foam
23	751B213146	Cable Clamp (B&S)	94	732-0803	Spring Lever
	7510007775	Cable Clamp (TEC)	95	732-0818	Torsion Spring
24	710-1220	Screw H.L. 12-24	96	736-0270	Bell Washer .265 x .75 x .062
25	710-0351	Screw Mach. B Tapp.	97	736-0369	Wash.-Flat .508 I.D. x 1.0 O.D. x.020
27	--	Engine	98	738-0529	Nut - Shoulder .625 x .165 Lg.
28	731-1714	Belt Cover	99	741-0324	Bearing-Flg Hex
35	714-0104	Int. Cotter Pin 5/15" Dia.	100	741-0522	Bearing-Flg. Hex
37	747-0922	Pivot Rod	101	741-0978	Bearing-Sleeve
38	750-1068	Spacer .385 I.D.	102	748-0318	Ratchet Wheel
39	732-0809	Torsion Spring L.H.	103	750-0807	Spacer - .385 x .625 x .700
44	782-3029	Handle Brkt. Ass'y - L.H.	104	750-1056	Spacer-Shld. .385 I.D.x .715 Lg.
45	710-0653	Screw, Tap 1/4-20	105	750-1075	Spacer Siv. .520 I.D. x .950 Lg.
47	712-0400	U-Nut	117	738-0137	Shldr. Scr. .340x.285
48	782-3030	Handle Brkt. Ass'y - R.H.	118	10622B	Spring, Ratchet
49	710-1348	Screw AB 1/4-20	119	†	Hub Cap
52	710-0654A	Hex L-Wash. Hd. Scr. 3/8-16 x 1"	120	731-1685	Mulch Plug
53	682-0037	21" Deck Ass'y	121	731-1461	Chute Deflector
56	731-1236	Rear Flap 17.77 Lg.	122	747-0958	Chute Mounting Rod
57	782-7599	Rear Chute Door	123	712-0324	Hex-L-Nut 1/4-20 thd.
58	782-9050	Brkt. Mtg. Grassbag - Black	124	710-0924	Mach. Scr. 1/4-20
59	731-1882	Hdtop Bag Cover	125	720-0294	Foam Grip (Optional)
	731-1769	Hdtop Bag Cover w/MTD Logo	126	754-0271	Belt
	731-1881	Hdtop Bag Cover w/Flo Ind.	127	710-0896	Scr. 1/4-14: .625 Hxindwsh
	731-1221	Hdtop Bag Cover w/Flo Ind. / MTD Logo.			

†† Wheel and Hub Cap Chart on Page 6.

Models 380 thru 389



Models 380 thru 389

REF. NO.	PART NO.	DESCRIPTION	REF. NO.	PART NO.	DESCRIPTION
1	747-0824	Control Handle Ass'y (Std)	39	732-0809	Torsion Spring L.H.
	647-0004	Control Handle Ass'y (Deluxe)	40	756-0625	Roller Cable
2	731-1639	Baffle	41	782-7574	6 Sp. Cable Adj. Bracket
3	710-0605	Oval C-Sunk Mach.-Scr.	42	782-7575	6 Sp. Cable Mtg. Bracket
4	736-0501	Spr.Wash..66" I.D.	43	656-0613	Pulley Assembly
5	720-0279	Handle Knob 1/4-20 Thd.	44	782-3029	Handle Brkt. Ass'y - L.H.
6	646-0875	Throttle Body	45	710-0653	Screw, Tap 1/4-20
7	712-0324	Hex L-Nut 1/4-20	46	711-1114	Pivot Shaft
8	749-0439B	Upper Handle	47	712-0400	U-Nut
9	746-0876	Throttle Lever	48	782-3030	Handle Brkt. Ass'y- R.H.
12	746-0843	Throttle Control Wire-55"	49	710-1348	Screw AB 1/4-20
	746-0848	Throttle Control Wire-47"	50	732-0807	Torsion Spring
	746-0841	Throttle Control Wire-60"	51	736-0526	Wave Washer 1.38 O.D. x .88 I.D x .029
13	710-1205	Rope Guide	52	710-0654A	Hex L-Wash. Hd. Scr. 3/8-16 x 1" Lg.
14	732-0700	Wire-47"Lg.	53	682-0037	21" Deck Ass'y
15	720-0276	Hand Knob	56	731-1236	Rear Flap 17.77 Lg.
16	746-0554	Control Cable-40.5"	57	782-7599	Rear Chute Door
	746-0555	Control Cable-55"	58	782-9050	Brkt. Mtg. Grassbag - Black
	746-0551	Control Cable-43"	59	731-1882	Hdtop Bag Cover
17	726-0240	Cable Tie		731-1769	Hdtop Bag Cover w/MTD Logo
18	710-1174	Curved Hd. Bolt 5/16-18x2" Lg.		731-1881	Hdtop Bag Cover w/Flo Ind.
19	749-0907	Lower Handle		731-1221	Hdtop Bag Cover w/Flo Ind. / MTD Logo.
20	811-00303	Throttle Box Comp. (Incl. Ref. 3, 4,6,7,9)	61	747-0919	Catcher Frame
	811-00500	Throttle Box Comp. (Incl. Ref. 3, 4,6,7,9)	62	664-0080	Grass Bag - Black
21	710-1237	Hex Self-Tap Scr. #10-32 x .62" Lg. (B&S)		664-0079	Grassbag- Soft top w/MTD Logo
	710-0871	Hex Sems Scr. #10-32 x .3" Lg. (Tec.)	72	736-0524A	Blade Bell Support
22	735-0639	Spark Plug Boot	73	742-0741	21" Mulching Blade w/Star
23	751B213146	Cable Clamp (B&S)	74	753-0609	Blade Adaptor Kit w/Star
	7510007775	Cable Clamp (Tec.)	75	710-1257	Hex Bolt 3/8-24 x 2.5 Lg.
24	710-1220	Screw H.L. 12-24	76	750-1070	Spacer - Sleeve
25	710-0351	Screw Mach. B Tapp.	77	750-1071	Spacer - Sleeve
27	--	Engine	78	782-7596	6 Sp. Control Arm
28	731-1714	Belt Cover	79	782-7597	6 Sp. Pivot Bracket
29	710-0167	Scr. 1/4-20: .50 Lg.	81	††	Wheel Assembly
30	710-0896	Scr.:AB 1/4-20: .625 Lg.	82	638-0005	Axle Ass'y: RR
31	712-0287	Hex Nut: 1/4-20	83	682-7518	Axle Ass'y: Trans.
32	736-0270	Bell Wash. .265 x .75 x .062	84	682-7524	Cover Ass'y - Chain
33	736-0329	Lock Wash. 1/4	85	710-0604	Scr. TT 5/16-18
34	738-0870	Shld. Scr. .340 Dia x .350 x 1/4-20	86	710-0653	Scr. TT 1/4-20
35	714-0104	Int. Cotter Pin 5/15" Dia.	87	710-0751	Hx Cap Screw 1/4-20
36	746-0939	6 Sp. Cable - 53" Lg.	88	710-0896	Scr. AB 1/4-20
37	747-0922	Pivot Rod	89	710-1315	Scr 3/8-16 x 1.25

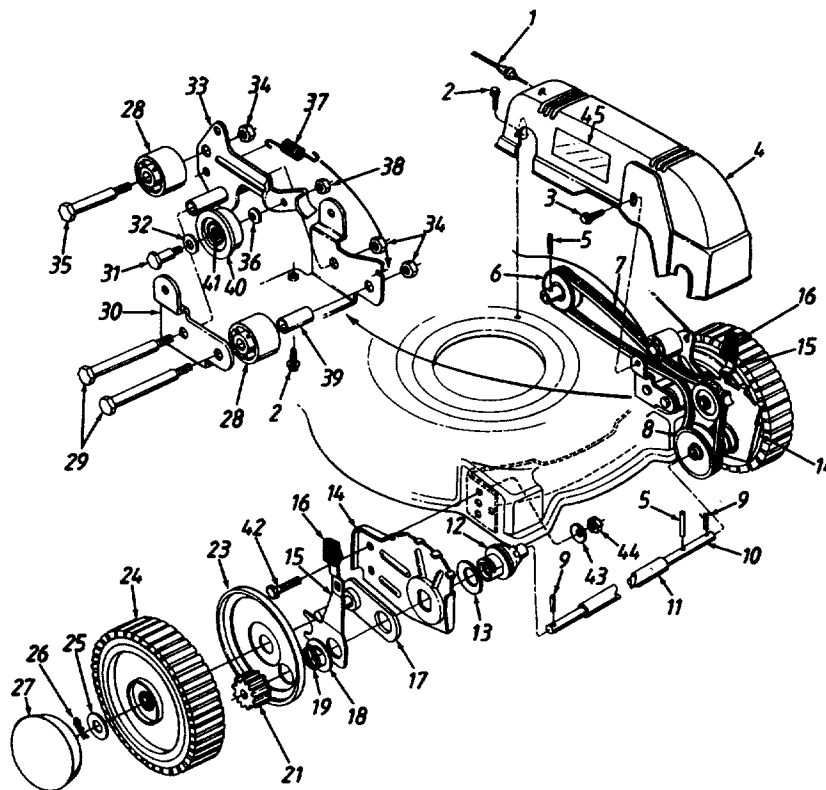
†† Wheel and Hub Cap Chart on Page 6.

REF. NO.	PART NO.	DESCRIPTION	REF. NO.	PART NO.	DESCRIPTION
90	711-0835	Pin - Clv. .500 Dia. x .4.62 Lg.	111	710-0841	C-Sunk Tap Scr. #10 x .75" Lg.
91	713-0421	Chain: Endless 48:500P > 22L	112	732-0627	Shift Lever Spring
92	714-0474	Pin-Cotter .125 O.D. x .75	113	16864	6 Sp. Rack Cable Bracket
93	720-0230	Grip-Foam	114	712-0414	Weld Top L. 1/4-20
94	732-0803	Spring Lever	115	16855	Pawl Plate
95	732-0818	Torsn Spring	116	748-0381	Pawl R.H.
96	736-0270	Bell Washer .265 x .75 x .062		748-0188B	Pawl L.H. (Not Shown)
97	736-0369	Wash.-Flat .508 I.D. x 1.0 O.D. x.020	117	738-0137	Shldr Scr. .340 x .285
98	738-0529	Nut - Shoulder .625 x .165 Lg.	118	10622B	Spring, Ratchet
99	741-0324	Bearing-Flg Hex	119	†	Hub Cap
100	741-0522	Bearing-Flg. Hex	120	731-1685	Mulch Plug
101	741-0978	Bearing-Sleeve	121	731-1461	Chute Deflector
102	748-0318	Ratchet Wheel	122	747-0958	Chute Mounting Rod
103	750-0807	Spacer - .385 x .625 x .70)	123	712-0324	Hex-L-Nut 1/4-20 thd.
104	750-1056	Spacer-Shoulder .385I.D.x.715Lg.	124	710-0286	Mach. Scr. 1/4-20
105	750-1075	Spacer Sleeve .520 I.D. x 950 Lg.	125	720-0294	Foam Grip (Optional)
106	782-0566	Pivot Arm	126	731-0905	Lower Control Housing
107	782-0568	Spring Bracket	127	731-0906	Cable Mounting Cap
108	731-0904	Upper Control Housing	128	746-0711A	S.P. Cable
109	731-0924	6 Speed Shift Lever	129	731-0620	Control Lever
110	713-0397	Gear Insert	130	746-0939	6 Speed Cable - 53" Lg.
			131	754-0271	Belt

† Wheel and Hub Cap Chart on Page 6.

Models 445 thru 458

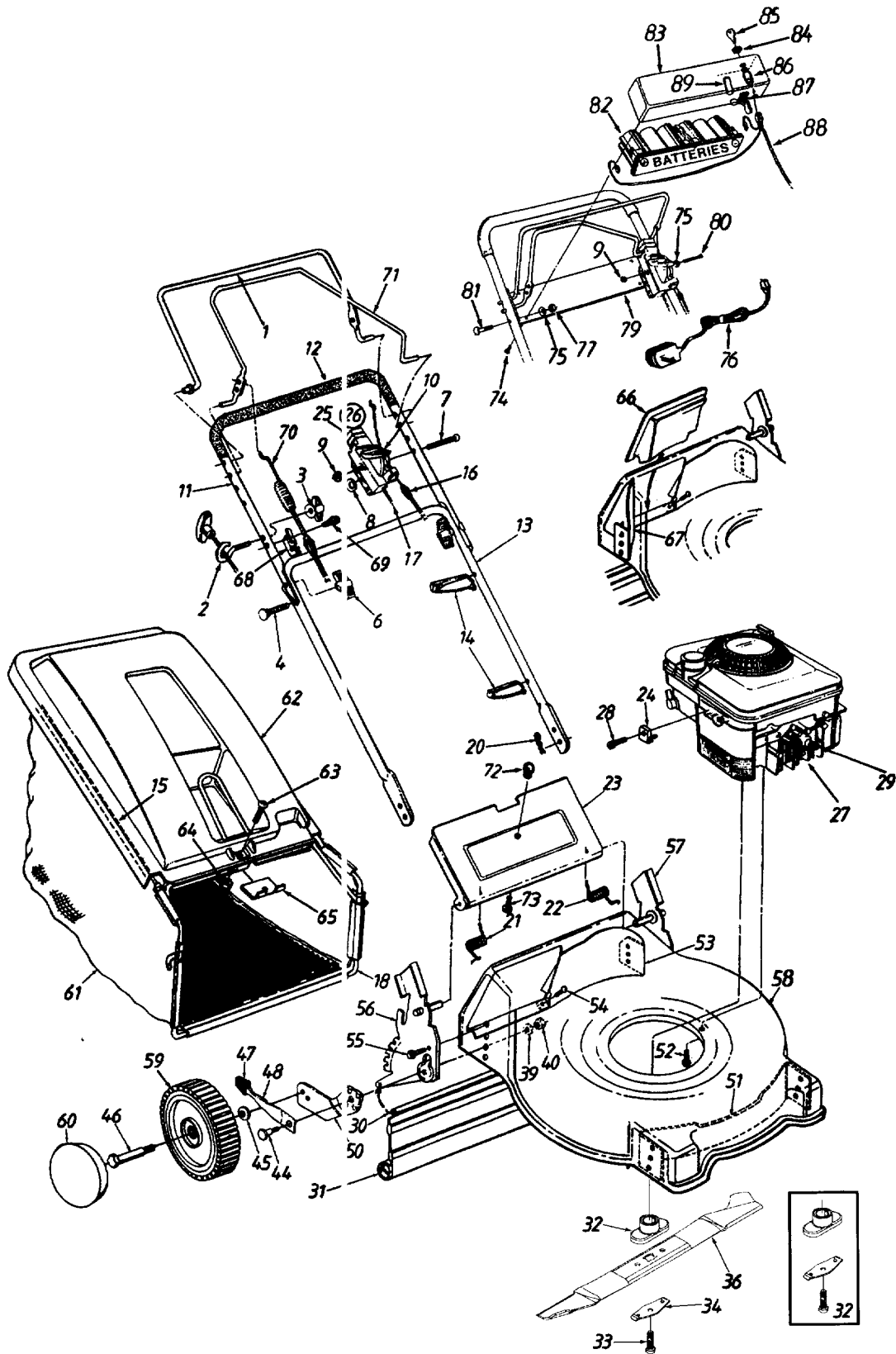
Model E458 (Electric Start)



REF. NO.	PART NO.	DESCRIPTION	REF. NO.	PART NO.	DESCRIPTION
1	746-0906	S.P. Cable 44.75" Lg.	25	736-3013	Fl-Wash. .531" I.D. x 1" O.D.
2	710-0599	Hex Wash. Hd. TT-Tap Scr. 1/4-20 x .5" Lg.	26	714-0101	Hairpin Clip
3	710-0653	Hex Wash. Hd. Tap Scr. 1/4-20 x .38" Lg.	27	720-0249	Hub Cap-3-1/2" Dia. (Gray)
4	782-7550	Belt Cover		731-0981A	Hub Cap-5-1/2" Dia. (Gray)
5	715-0246	Spring Pin 3/16" Dia. x 1.25" Lg.		731-0982A	Hub Cap-5-1/2" Dia. (Beige)
6	756-0963	3/8" 'V'-Pulley 2.75" O.D.	28	656-0010	Idler Ass'y.
7	754-0271	'V'-Belt	29	738-0873	Shld. Bolt .374" Dia. x 1.94"
8	756-0964	3/8" 'V'-Pulley 2.44" O.D.	30	782-7524	Idler Pivot Brkt.
9	715-0159	Spring Pin 3/16" Dia. x .875" Lg.	31	738-0826	Shld. Bolt .375" Dia. x .4"
10	738-0953	Front Axle	32	736-0344	Fl-Wash. .39" I.D. x 1" O.D.
11	731-1361	Axle Shroud	33	682-0014	Idler Brkt. Ass'y.
12	682-0015	Front Bearing Ass'y.	34	712-0271	Hex Sems Nut 1/4-20 Thd.
13	736-0447	Wave-Wash. 1.01" I.D.	35	738-0572	Shld. Bolt 3/8" Dia. x 1.16"
14	782-0512	Height Adj. Plate-R.H.	36	736-0270	Bell-Wash. .265" I.D. x .75" O.D.
	782-0511	Height Adj. Plate-L.H.	37	732-0709	Spring Extension 1.29" Lg.
15	732-0706	Spring Lever-R.H.	38	712-0138	Hex Nut 1/4-28 Thd.
	732-0707	Spring Lever-L.H.	39	750-0807	Spacer .385" I.D. x .625" O.D.
16	720-0190	Spring Lever Knob	40	756-0558	Fl-Idler 1.5" O.D.
17	682-0509	Height Adj. Pivot Plate Ass'y.	41	741-0556	Needle Brg. .375" I.D.
18	736-0474	DD Washer 1.5" O.D.	42	710-0201	Hex Bolt 3/8-16 x .62" Lg.
19	716-0102	Snap Ring	43	736-0331	Bell-Wash. .39" I.D. x 1.13" O.D.
21	748-0357	14-T Spur Gear	44	712-0798	Hex Nut 3/8-16 Thd.*
23	782-7551	Wheel Dust Cap	45	777-0671	Foil Label
24	634-0021A	Front Wheel Ass'y.			

Models 445 thru 458

Model E458 (Electric Start)



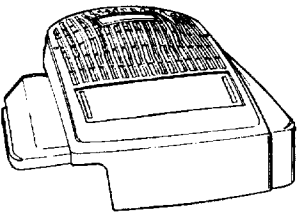
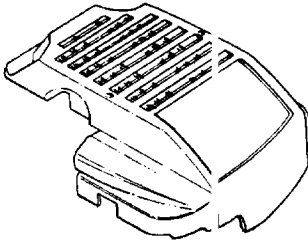
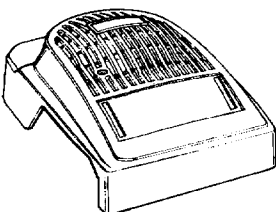
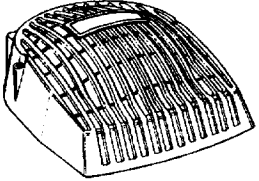
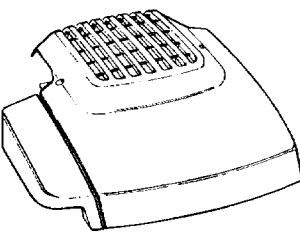
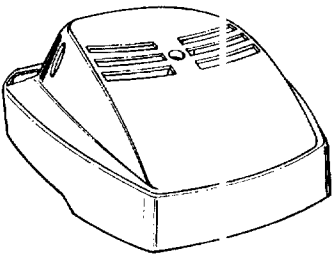
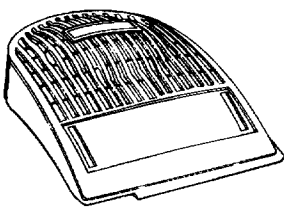
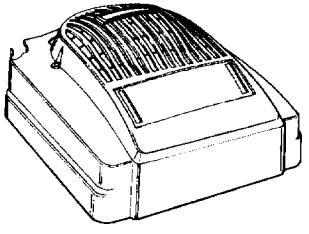
Models 445 thru 458

Model E458 (Electric Start)

REF. NO.	PART NO.	DESCRIPTION	REF. NO.	PART NO.	DESCRIPTION
1	747-0824	Control Handle Ass'y.	47	720-0190	Spring Lever Knob
2	710-1205	Rope Guide	48	732-0417A	Spring Lever
3	720-0279	Handle Knob 1/4-20 Thd.	50	14765	Pivot Bar
4	710-1174	Curved Hd. Bolt 5/16-18 x 2" Lg.	51	782-5002	Front Baffle
6	720-0276	Hand Knob	52	710-0654A	Hex L-Wash. Hd. Scr. 3/8-16 x 1" Lg.
7	710-0605	Oval C-Sunk Mach. Scr.	53	782-5003	Rear Baffle
8	736-0501	Spr. Wash. .66" I.D.	54	710-1017	Torx Mach. AB-Tap Scr. 1/4 x .62" Lg.
9	712-0324	Hex L-Nut 1/4-20 Thd.	55	710-0892	Hex L-Wash. Hd. AB-Tap Scr. 1/4 x .62" Lg.
10	746-0876	Throttle Lever	56	682-0514	Handle Brkt. Ass'y.-R.H.
11	749-0538C	Upper Handle	57	682-0513	Handle Brkt. Ass'y.-L.H.
12	720-0226	Foam Grip (Optional)	58	782-0020	21" R.D. Deck
13	749-0928	Lower Handle	59	634-0020	Wheel Ass'y. Comp.
14	726-0240	Cable Tie	60	720-0249	Hub Cap 3-1/2" Dia. (Gray-Optional)
15	764-0310	Rear Catcher Frame		731-0981A	Hub Cap 5-1/2" Dia. (Gray-Optional)
16	746-0550	Control Cable-39" (450)		731-0982A	Hub Cap 5-1/2" Dia. (Beige-Optional)
	746-0553	Control Cable-36" (456, 458)	61	764-0433	Grass Bag
	746-0737	Control Cable-51" (455)	62	731-1322	Hard Top Cover
17	746-0847	Throttle Control Wire-42" (455)	63	710-0286	Pan Hd. Mach. Scr. 1/4-20 x .5" Lg.
	746-0843	Throttle Control Wire-55" (450, 456, 458)	64	712-0324	Hex Nylon L-Nut 1/4-20 Thd.
18	764-0311	Front Catcher Frame	65	782-9011	Mounting Bracket
20	714-0104	Int. Cotter Pin 5/16" Dia.	66	782-5007	Mulching Baffle Plug (Optional)
21	732-0678	Door Spring-R.H.	67	782-5004	Mulching Baffle-R.R. (Optional)
22	732-0677	Door Spring-L.H.	68	16309A	Cable Mtg. Brkt.
23	782-7000	Rear Discharge Door	69	710-0726	Hex Wash. AB-Tap Scr. 5/16" x .75" Lg.
24	7510007755	Cable Clamp (Tec.)	70	746-0906	S.P. Cable 44.75" Lg.
	751B213146	Cable Clamp (B&S)	71	747-0854	Drive Control Lever
25	646-0875	Throttle Body	72	720-0275	Knob
26	811-00185	Throttle Box Comp. (Incl Ref. 7, 8, 9, 10, 25)	73	710-0192	Truss Mach. Scr. #10-24 x .38" Lg.
27	-	Engine	74	710-1220	Pan Hd. Scr. #12 x 3/4" Lg.†
28	710-0871	Hex Sems Scr. #10-32 x .38" Lg. (Tec.)	75	736-0270	Bell-Wash. 1/4" I.D.†
	710-1237	Hex Wash. Hd. Scr. #10-32 x .62" Lg. (B&S)	76	725-0727	Charger†
29	735-0639	Spark Plug Boot (Optional)	77	712-0287	Hex Nut 1/4-20 Thd.†
30	732-0700	Wire Rod	78	736-0329	L-Wash. 1/4" I.D.*†
31	731-1236	Rear Flap	79	782-9012	Lower Battery Tray†
32	753-0588	Blade Adapter Kit	80	710-0501	Hex Cap Bolt 1/4-20 x 2" Lg.†
33	710-1044	Hex Bolt 3/8-24 x 1.5" Lg.	81	710-0111	Curved Hd. Bolt 1/4-20 x 1.25" Lg.†
34	736-0524	Blade Bell Support	82	725-1276	Battery Pack†
36	742-0641	21" Blade	83	731-0891A	Upper Battery Tray†
	742-0741	21" Mulching Blade (Optional)	84	725-0893	Key Switch†
39	736-0356	Bell-Wash. .39" I.D. x 1.38"	85	725-0201	Key†
40	712-0798	Hex Nut 3/8-16 Thd.*	86	725-1428	Fuse Holder†
44	738-0507B	Shld. Bolt .5" Dia. x .357"	87	725-1206	Plug†
45	736-0105	Bell-Wash. .38" I.D. x .88" O.D.	88	725-1442	Harness†
46	738-0102	Axle Bolt	89	725-0298	Fuse 7-1/2 Amp.†

† Electric start models only.

Engine Shrouds

							
Part No. 751B281439 751B281440 751B281443	Color Dark Red Black Bright Red	Part No. 731-1395A 731-1396A 731-1397A	Color Red Black Gray	Part No. 731-1587A 731-1603A 731-1610A	Color Black Yellow Pewter	Part No. 731-1561	Color Black
Hardware: 710-1256 (Screw)		Hardware: 710-1256 (Screw)		Hardware: 710-1184 (Screw)		Hardware: 7510042823 (Screw)	
							
Part No. 731-1402A	Color Yellow	Part No. 7510014208	Color Black	Part No. 731-1585B	Color Black	Part No. 731-1586B 731-1612A	Color Black Red
Hardware: 710-1258 (Screw)		Hardware: 7510042823 (Screw)		Hardware: 710-1274 (Screw)		Hardware: 7510042823 (Screw)	



