

# Operating/Service Instructions

**RIDING MOWER GRASS CATCHER  
(1972 MODELS ONLY)**

**Model No.  
192-015**

*Used on riders 1972 and newer  
Used on 570 High wheel*

*Riders older than 1972 use adapter with catcher*

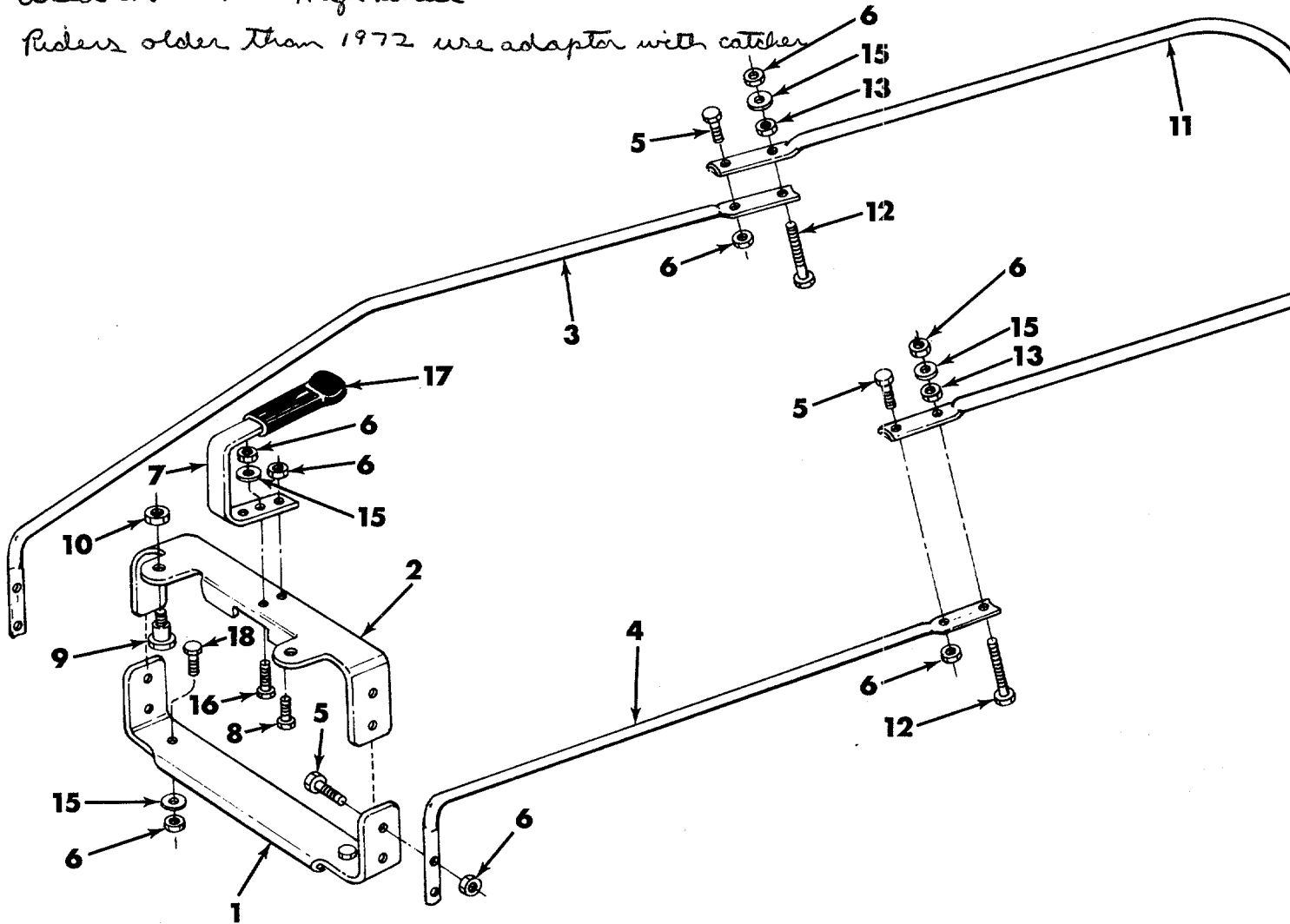


FIGURE 1. FRAME ASSEMBLY

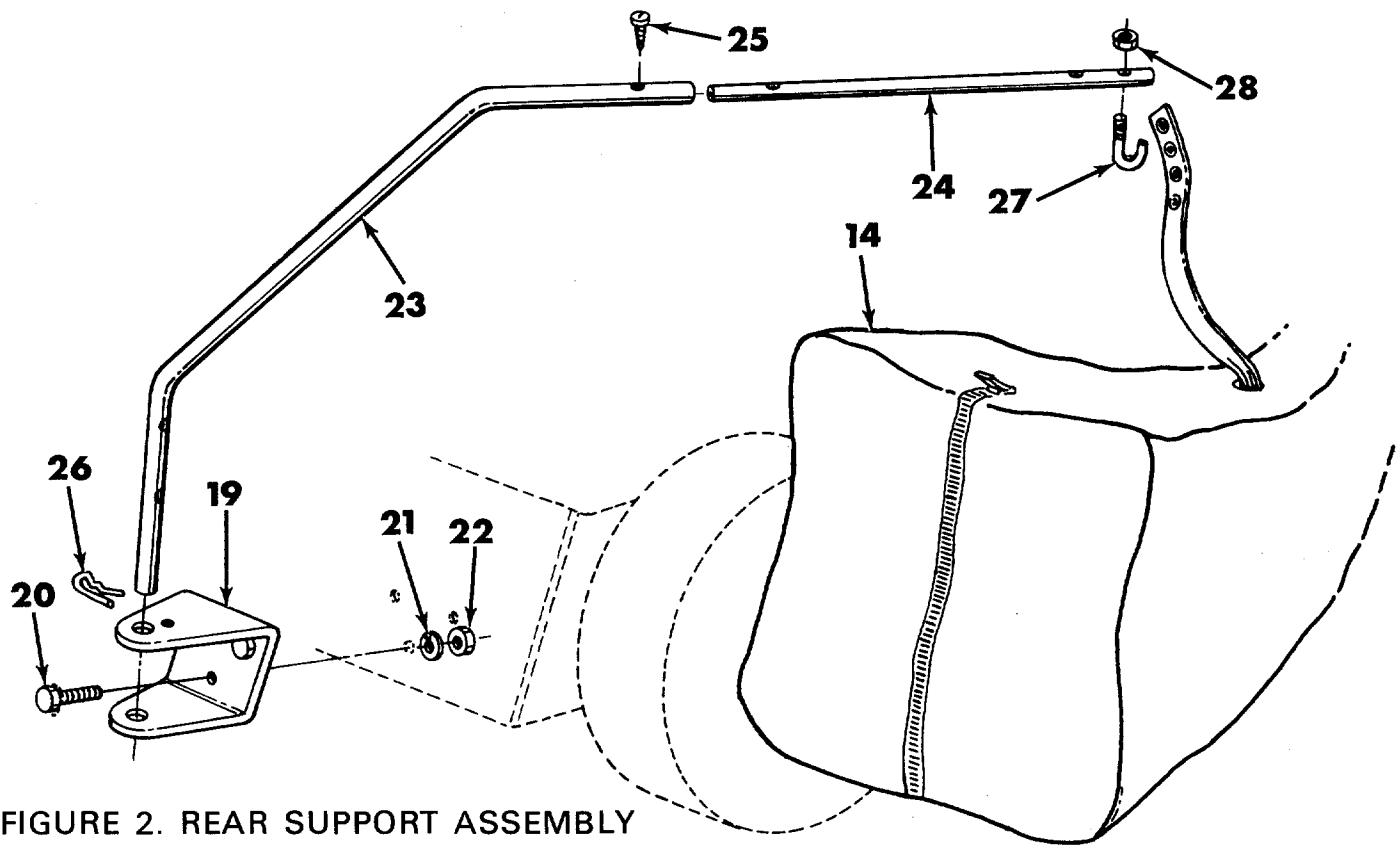
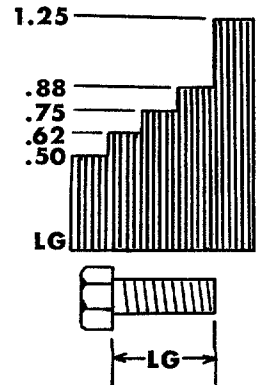


FIGURE 2. REAR SUPPORT ASSEMBLY

Ref. No.	Part No.	Description	Ref. No.	Part No.	Description
1.	11702	Lower opening support	16.	710-252	Hex Scr ¼-20 x .75 Lg.
2.	11703	Upper Opening support	17.	720-142	Grip
3.	11704	Lower frame arm	18.	710-289	Hex Scr. ¼-20 x .50 Lg.
4.	11705	Lower frame tube	19.	11708	Hitch bracket
5.	710-206	Hex Scr. ¼-20 x .88 Lg.	20.	710-198	Hex Sems Scr. 5/16-18 x .75 Lg.
6.	712-287	Locknut ¼-20thd	21.	736-119	Lockwasher 5/16"
7.	11707	Handle	22.	712-267	Hex Nut 5/16-18 thd.
8.	710-258	Hex Scr. ¼-20 x .62 Lg.	23.	11709	Lower Holding Arm
9.	738-141	Shoulder Screw	24.	11710	Upper Holding Arm
10.	712-267	Locknut 5/16-18 thd.	25.	710-179	Self Tap. Scr ¼-20 x .50 Lg.
11.	11706	Upper frame half	26.	714-117	Cotter Pin
12.	710-106	Hex Scr. ¼-20 x 1.25 Lg.	27.	711-576	Hook Bolt
13.	712-287	Hex Nut ¼-20 thd.	28.	712-324	Elastic Locknut ¼-20thd.
14.	764-122	Grass catcher bag			
15.	736-142	Flat washer			

Measure screws here.



\* For faster service obtain standard nuts, bolts and washers locally. If these items cannot be obtained locally, order by part number and size as shown on parts list.

**NOTE:** Under normal usage bag material is subject to wear, and should be checked periodically. Be sure any replacement bag complies with the mower manufacturer's recommendations.

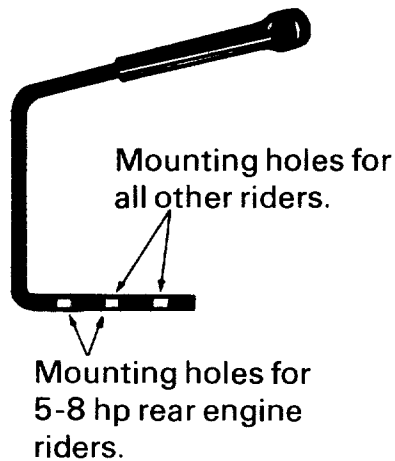
1. Assemble the upper opening support (1) and the lower opening support (2) and the two lower frame arms (3 & 4) with four 1/4 x .88 Lg. bolts (5) and locknuts (6). Place the head of the bolt on the inside.

**NOTE**

The BENT lower frame arm goes on the right hand side.

2. Attach the handle (7) to the rear hold of the upper opening support (1) with 1/4 x .62 Lg. bolt (8) and locknut (6). The front bolt will be assembled later.

**NOTE**



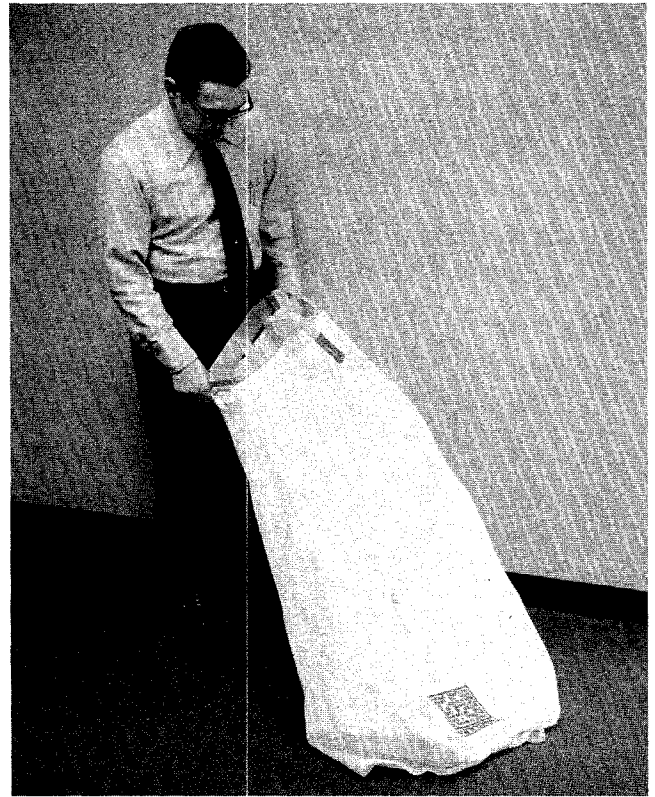
**FIGURE 3. HANDLE ASSEMBLY**

3. The shoulder bolt (9) is attached to the upper opening support (1) with the 5/16" locknut (10) on top as shown in figure 1.

4. The upper frame (11) attaches to the two lower frame arms (3 & 4) using the 1/4 x 1.25 Lg. bolt (12) and free nut (13) in the rear hole. The head of the bolt goes on the bottom as shown in figure 1. Use 1/4 x .88 Lg. bolt (5) and locknut (6) in the front hole.

5. Slide the elastic opening end of the grass bag (14) over the upper frame and into position.

6. The 1/4 x 1.25 Lg. bolt (12) goes through the eyelets in the center of the bag. Place one flat washer (15) over each bolt and secure it with a locknut (6).



**FIGURE 4. ASSEMBLING THE GRASS BAG TO THE FRAME**

7. Place a 1/4 x .75 Lg. bolt (16) through the front hole in the upper opening support (1) from the inside, going through the handle (7) and the grass bag (14). Place a flat washer (15) and locknut (6) over the bolt.

8. Use two 1/4 x .50 Lg. bolts (18) through the holes in the bottom of the lower opening support (2) and the grass bag. Secure them with a flat washer (15) and locknut (6) on each bolt.

9. Slip the grip (17) over the handle (2).

10. Attach the hitch bracket (19) to the rear of the rider frame using three 5/16 x .75 Lg. bolts (20), lockwashers (21) and nuts (22).

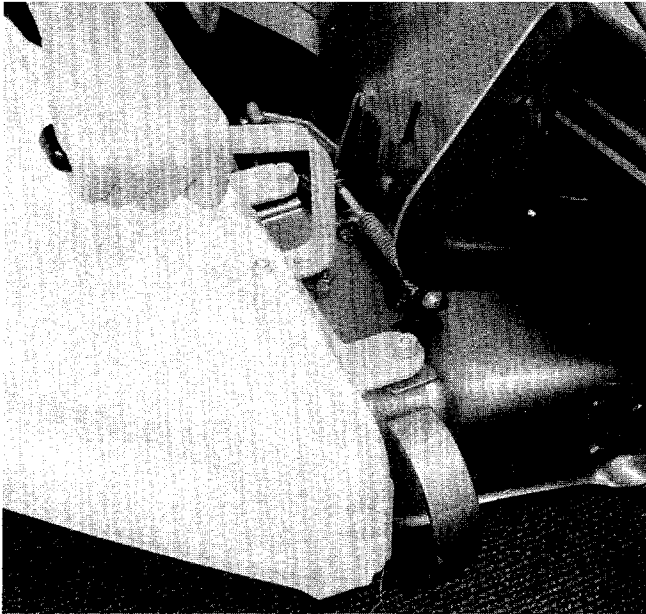
11. Slide the upper and lower holding arms (23 & 24) together and fasten them together with a self tapping screw (25).

12. Place the large cotter pin (26) in one of the holes in the lower holding arm (23).

**NOTE**

Adjustment of the correct hole can be made when attaching the bag.

13. Place the end of the lower holding arm (23) into the hitch bracket (19) so the upper end is to the right.



**FIGURE 5. ATTACHING THE GRASS CATCHER TO THE DECK.**

14. Lift up the chute deflector and attach the grass catcher assembly to the adapter on the mower deck. See figure 5.

15. Swing the upper holding arm over the center lifting strap on the grass bag and assemble the hook bolt (27) through the upper holding arm (23) and fasten it with the elastic locknut (28) using the hole that lines up the best.

16. Adjust the bag ground clearance by using the different holes in the center lifting strap.



**FIGURE 6. ASSEMBLED GRASS CATCHER**