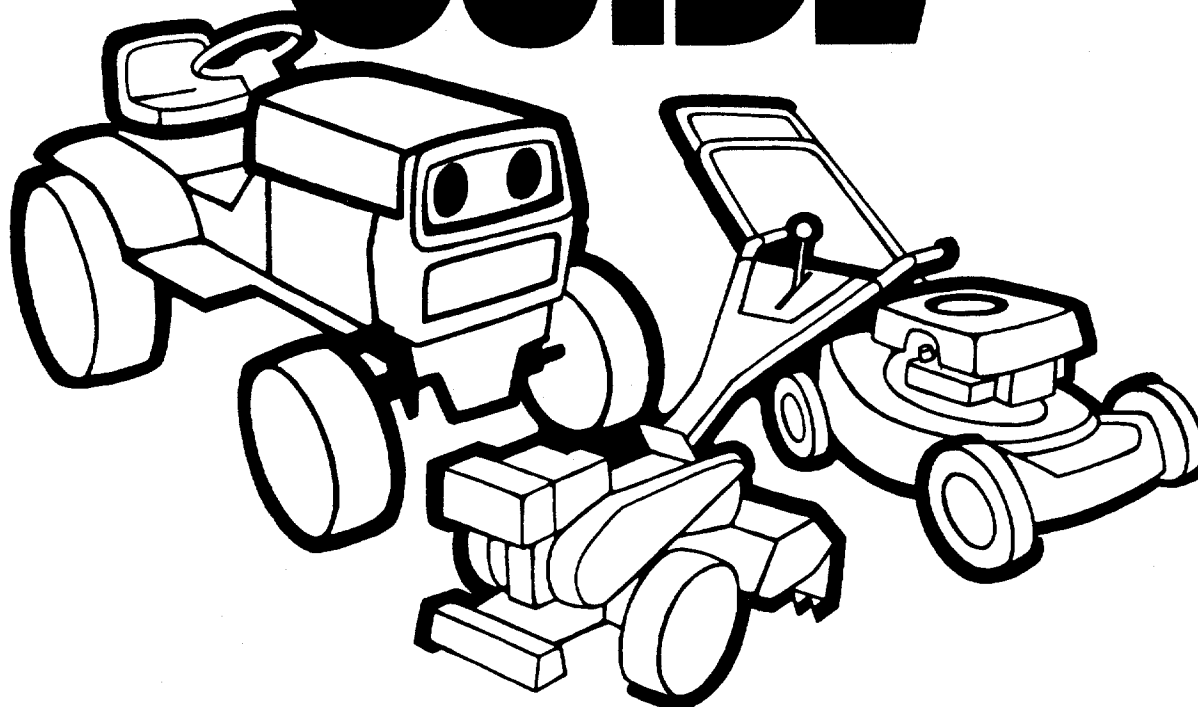


\$1.00

OWNER'S GUIDE



**30"
REAR
DISCHARGE
MOWING
DECK**

**Model Number
190-793-000
for
Model 500 Series
Rear Engine
Riding Mowers**

**IMPORTANT: Read Safety Rules and Instructions In
Lawn Tractor Owner's Guide Carefully.**

Refer to the riding mower owner's manual for safe operation practices, and correct operation and maintenance instructions. Read instructions carefully.

PARTS LIST FOR 30" REAR DISCHARGE MOWING DECK

REF. NO.	PART NO.	CODE	DESCRIPTION	REF. NO.	PART NO.	CODE	DESCRIPTION
1	16760	N	30" R.D. Deck Ass'y. Comp. (Service Only)	33	714-0174		Internal Cotter Pin
2	712-0318		Hex Jam Nut 5/8-18 Thd.	34	16094		R.D. Chute Deflector
3	736-0317		Bell-Wash. .630" I.D. x 1.25"	36	736-0271		L-Wash. .32" I.D. x .62" O.D.
4	756-0430		5/8 V-Pulley .75" I.D. x .7"	37	747-0474		90° Rod 5/16-18 Thd.
9	711-0640		Stud 3/8-16 x 2.75" Lg.	41	732-0157		Extension Spring
10	712-0342		Hex Jam Nut 3/8-16 Thd.	42	726-0201		Push Speed Nut
11	736-0119		L-Wash. 5/16" I.D.*	45	710-0118		Hex Bolt 5/16-18 x .75"*
12	712-0267		Hex Nut 5/16-18 Thd.*	46	16053		Blade Brake Brkt. Ass'y.
13	16706		Hanger Brkt. 3.25"	47	748-0234		Shoulder Spacer .500" Dia.
14	15906		30" R.D. Deck Ass'y.	49	754-0264		"V"-Belt 1/2" x 52" Lg.
15	712-0158		Hex L-Nut 5/16-18 Thd.	51	710-0176		Hex Bolt 5/16-18 x 2.75"
17	16705		Hanger Brkt. 2.25"	53	15625B	N	Lower Outside Belt Guard
18	710-0323		Truss Mach. Scr. 5/16-18 x .75" Lg.*	54	710-0258		Hex Bolt 1/4-20 x .62" Lg.*
19	742-0280		30" High Lift Blade	55	736-0329		L-Wash. 1/4" I.D.*
20	748-0300		Blade Adapter	56	714-0104		Int. Cot. Pin 5/16" Dia.
21	07919		Scalp Plate (Optional)	57	727-0296	0296	Brake Cable 1-7/8" Lg. 9.75 Lg.
22	736-0169		L-Wash. 3/8" I.D.*	58	736-0142		FI-Wash. .281" I.D. x .50"
23	710-0152		Hex Bolt 3/8-24 x 1.0*	59	711-0701		Clevis Pin 1/4" Dia.
24	710-0888		Hex Bolt 5/16-24 x 1.0" Lg.	60	15626A	N	Lower Inside Belt Guard
26	712-0123		Hex Nut 5/16-24 Thd.*	61	726-0106		Cap Speed Nut 1/4" Rod
29	725-0765		Electrical Wire	63	714-0145		Int. Cotter Pin 1/2" Dia.
30	710-0289		Hex Bolt 1/4-20 x .50" Lg.*	64	736-0160		FI-Wash. .531" I.D. x .930"
31	725-0269		Safety Switch	65	747-0428		Deck Link 3.9" Lg.
32	712-0287		Hex Nut 1/4-20 Thd.*	66	725-1037		Wire Lead
				67	717-0916		Blade Spindle Ass'y. Comp.

REMOVING THE DECK

1. Disconnect the spark plug wire and ground it against the engine.
2. Move the blade engagement lever to the disengaged position.
3. Remove one hex bolt and lock washer at the front of lower outside belt guard. A 1/2" wrench is required. See figure 1.

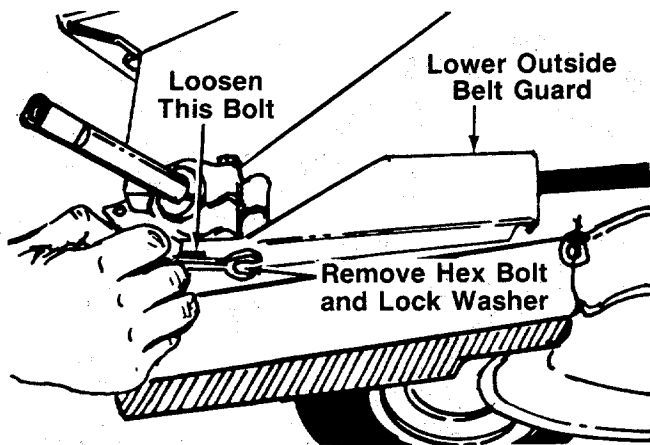


FIGURE 1.

4. Loosen (Do Not remove) the second bolt. See figure 1.

NOTE: Rear wheel was removed for clarity only. It is not necessary to remove the wheel when removing the deck.

5. Pivot the lower outside belt guard out and away from the engine pulley. See figure 2.

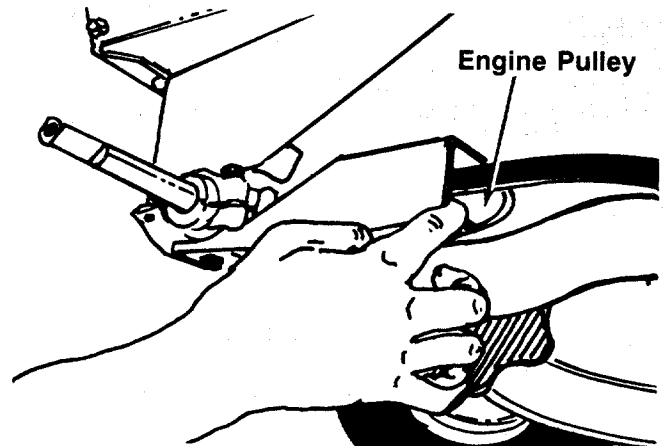


FIGURE 2.

6. Disconnect the brake cable from the lower inside belt guard by removing the hairpin cotter, clevis pin and flat washer. See figure 3.
7. Remove the front hex bolt from the lower inside belt guard as shown in figure 3.

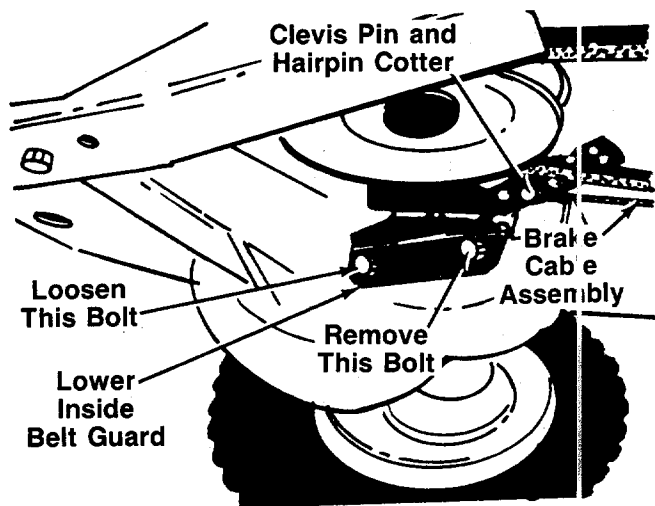


FIGURE 3.

8. Loosen the second bolt (**do not remove**), then pivot the guard downward, and slip the deck belt off the engine pulley. See figures 3 and 4.

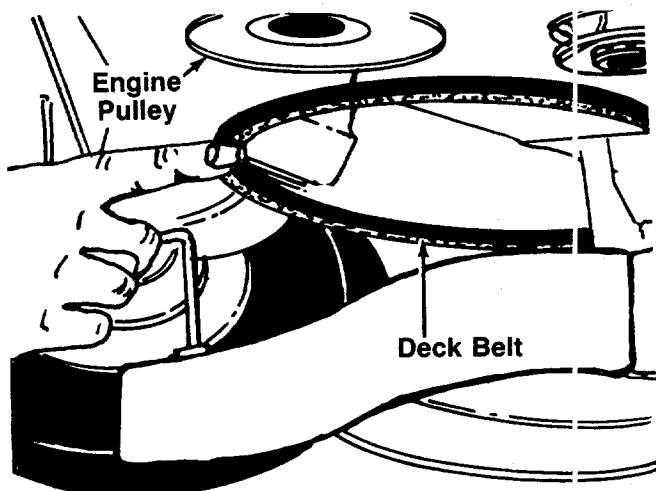


FIGURE 4.

9. Remove the three hairpin cotters and flat washers which hold the deck links to the rider. Two are located at the rear of the deck. See figure 5. One is located at the front of the deck.
10. Unplug the yellow wire from the chute safety switch. Then lift the deck off the rider. See figure 6.
11. To reattach the deck, follow instructions in reverse order. Adjust the blade brake cable as instructed in the rider owner's manual.

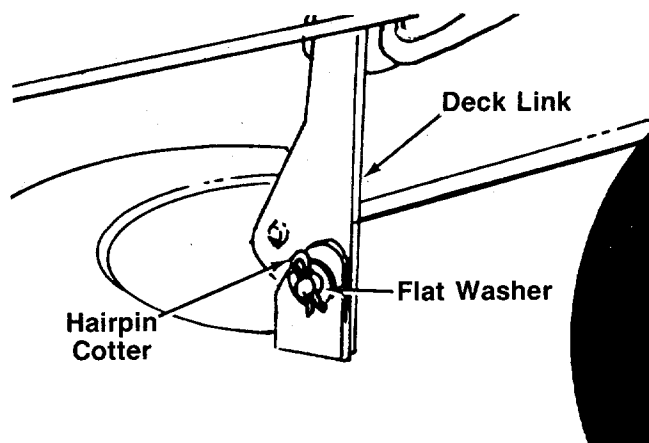


FIGURE 5.

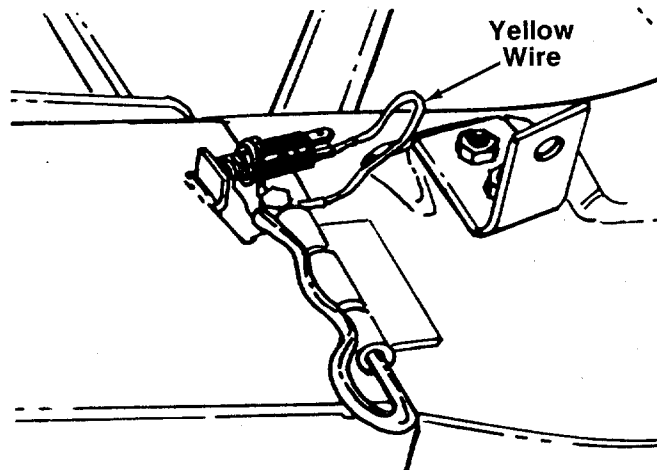


FIGURE 6.

DECK BELT REMOVAL

1. Remove the deck from the riding mower as described in previous section.
2. Remove the three belt keeper studs on the deck. See figure 7.
3. Remove and replace the deck drive belt.

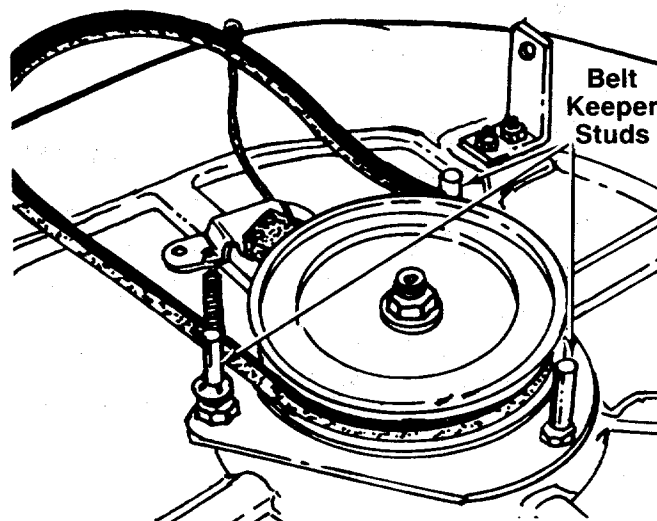


FIGURE 7.