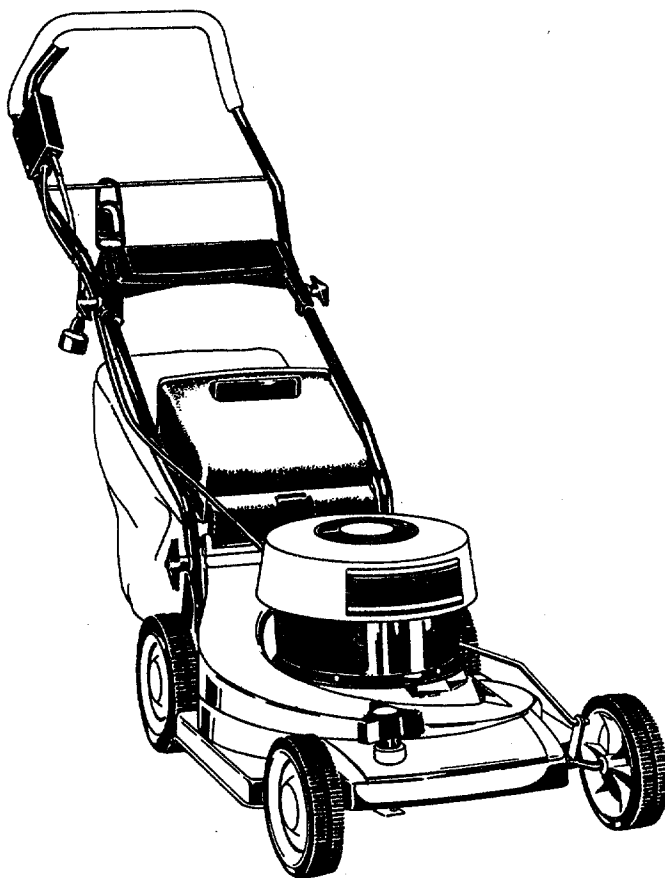


\$1.00

OWNER'S GUIDE

ASSEMBLY • OPERATION • MAINTENANCE • PARTS



**16''
ELECTRIC
ROTARY
MOWER**

**Model Number
181-124K002
(4416)**



Made
in
AMERICA

**IMPORTANT:
Read Safety Rules and Instructions Carefully**

SAFETY RULES

CAUTION: ALWAYS DISCONNECT POWER SUPPLY TO PREVENT ACCIDENTAL STARTING WHEN SETTING-UP, TRANSPORTING, ADJUSTING OR MAKING REPAIRS TO YOUR MOWER.

IMPORTANT

FEDERAL REGULATIONS REQUIRE OPERATOR PRESENCE BLADE STOP CONTROLS TO MINIMIZE THE RISK OF CONTACT INJURY. YOUR MOWER IS EQUIPPED WITH SUCH CONTROLS. DO NOT ATTEMPT TO DEFEAT THE FUNCTION OF THE OPERATOR PRESENCE CONTROL UNDER ANY CIRCUMSTANCES.

TRAINING:

- Read the Operation and Service Instruction Manual carefully. Be thoroughly familiar with the controls and proper use of the equipment. Know how to stop the unit and disengage the controls quickly.
- Never allow children to operate equipment. Never allow adults to operate equipment without proper instruction.
- Keep the area of operation clear of all persons, especially small children and pets.
- Use the mower only as the Manufacturer intended and as described in the Operator's Manual.
- Store idle mower indoors - When not in use, mower should be stored indoors in dry, high or locked-up place - Out of reach of children.
- Do not operate mower after it has been dropped or damaged in any manner. Always have damage repaired before using the mower.
- The use of accessory attachments not recommended by the mower manufacturer may cause hazards.

PREPARATION:

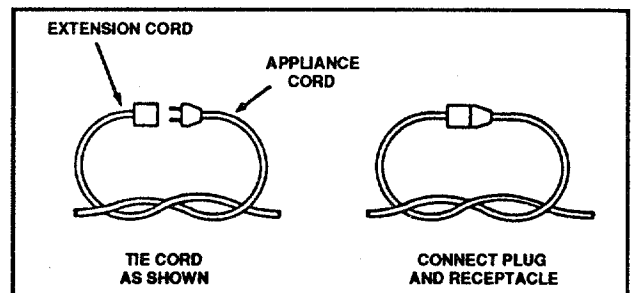
- Objects struck by the lawn mower blade can cause severe injuries to persons. The lawn should always be carefully examined and cleared of all stones, sticks, wires, bones and other foreign objects.
- Dress properly - Wear only solid shoes when mowing. Do not operate mower when barefoot, or wearing open sandals. Do not wear loose clothing or jewelry. They can be caught in moving parts. Use of rubber gloves and substantial footwear is recommended when working outdoors.
- Never attempt to make a wheel height adjustment while the motor is running.
- Mow only in daylight or in good artificial light.
- Do not operate mower in damp or wet locations. Always be sure of your footing; keep a firm hold on the handle and walk; never run.
- Do not use in rain.
- Don't force product - it will do the job better and safer at the rate for which it was designed.
- Don't abuse cord - never pull product by cord or yank it to disconnect from receptacle. Keep cord from heat, oil and sharp edges.
- Warning - to prevent shock hazard use only with an extension cord suitable for outdoor use.
- Avoid accidental starting - don't pull plugged-in product with finger on switch. Be sure switch is off when plugging in.

EXTENSION CORDS:

- Use only UL approved outdoor extension cords of adequate gauge (min. 16 gauge recommended) which accept the appliance's plug. Replace or repair damaged cords. Extension cords are available at your nearest authorized Service Center or Dealer.
- Cord sets - Make sure your cord set is in good condition. When using a cord set, be sure to use one heavy enough to carry the current your lawn mower will draw. For lengths less than 50 feet, No. 16 AWG cord set should be used. An undersized cord will cause a drop in line voltage resulting in loss of power and overheating. (NOTE: Table below shows the correct size to use depending on cord length and nameplate ampere rating. If in doubt, use the next heavier gauge. The smaller the gauge number the heavier the cord.)

Required Cord Gauge				
Motor Amp Rating	Cord Length in Feet			
	25	50	100	150
	Wire Gauge			
10-12	16	16	14	12

- If extension cord is damaged in any manner while plugged in, pull extension cord from wall receptacle.
- To prevent disconnection of unit from extension cord during operation, use the strain relief connector described in this manual, or make knot as shown in illustration, or use one of the plug receptacle retaining straps or connectors available at most hardware stores.



POWER SUPPLY:

- Fuses - The motor should be operated on a 15 AMP circuit. If difficulty in starting is experienced with a standard 15 AMP fuse or circuit breaker, contact your nearest authorized Services Center or Dealer.
- Frequent blowing of fuses - DO NOT use a higher rated fuse without consulting your power company.

DOUBLE INSULATED LAWN MOWER

DOUBLE INSULATION IS A CONCEPT IN SAFETY, IN ELECTRIC LAWN MOWERS, WHICH ELIMINATES THE NEED FOR THE USUAL THREE WIRE GROUNDED POWER CORD AND GROUNDED SUPPLY SYSTEM. WHEREVER THERE IS ELECTRIC CURRENT IN THE MOWER THERE ARE TWO COMPLETE SETS OF INSULATION TO PROTECT THE USER. ALL EXPOSED METAL PARTS ARE ISOLATED FROM THE INTERNAL METAL MOTOR COMPONENTS WITH PROTECTING INSULATION.

IMPORTANT SERVICING OF A LAWN MOWER WITH DOUBLE INSULATION REQUIRES EXTREME CARE AND KNOWLEDGE OF THE SYSTEM AND SHOULD BE PERFORMED ONLY BY A QUALIFIED SERVICE TECHNICIAN. FOR SERVICE WE SUGGEST YOU RETURN THE LAWN MOWER TO YOUR NEAREST AUTHORIZED SERVICE CENTER FOR REPAIR. ALWAYS USE ORIGINAL FACTORY REPLACEMENT PARTS WHEN SERVICING.

OPERATION:

- Do not put hands or feet near or under rotating parts.
- Keep clear of the discharge opening at all times.
- Stop the motor whenever you leave the mower, before crossing drives, walks or roads.
- After striking a foreign object, shut off the motor, make absolutely sure the blade and all moving parts have completely stopped, disconnect the power cord to prevent accidental starting, then thoroughly inspect the mower for any damage. Such damage must be repaired before restarting and operating the mower. Remember, heavy vibration is generally a sign of trouble.
- If mower should start to vibrate abnormally, stop the motor and check immediately for the cause.
- Stop the motor, wait for blade and all moving parts to stop, before cleaning, unclogging chute, removing grass catcher, repairing or inspecting the mower. Always disconnect power cord to prevent accidental starting.
- Never operate the mower without proper guards, plates, or other safety protective devices in place.
- Never cut grass by pulling the mower towards you. Mow grass across the face of slopes, never up and down. Do not mow excessively steep slopes. Use caution when operating the mower on uneven terrain or changing direction; maintain good footing.

MAINTENANCE AND STORAGE:

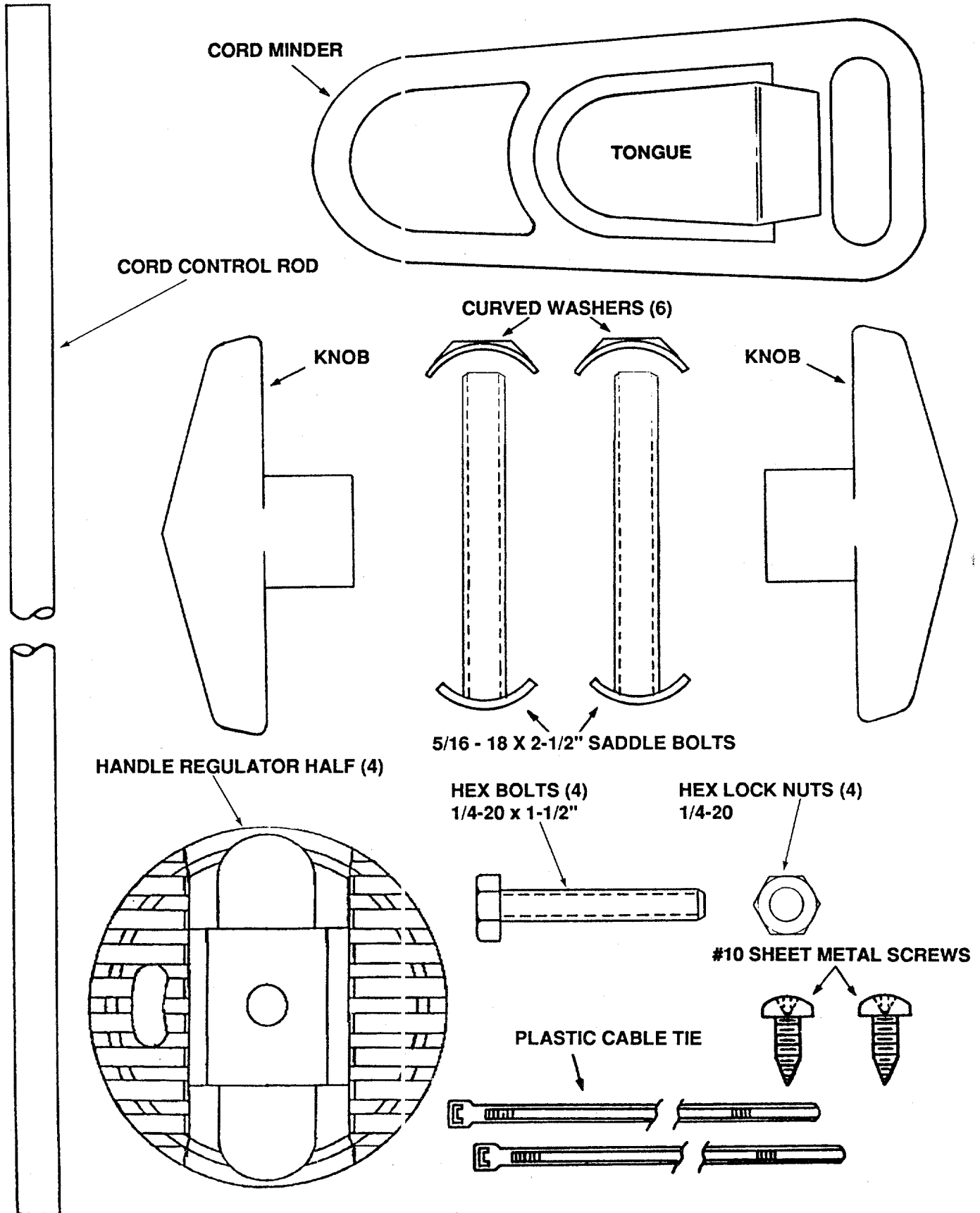
- Maintain Lawn Mower With Care - Keep cutting edges sharp and clean for best and safest performance.
- Check the blade and the motor mounting bolts at frequent intervals for proper tightness.
- Check all bolts, nuts and screws, etc. at frequent intervals for proper tightness to be sure equipment is in safe working condition.
- To reduce fire hazard, keep the motor free of grass, leaves, or excessive grease.
- Check grass catcher bags frequently for deterioration and wear and replace worn bags. Check that replacement bags comply with original manufacturer's recommendations or specifications.
- Allow motor to cool before storing in any enclosure.
- Use identical replacement blades only.



LOOK FOR THIS SYMBOL TO POINT OUT IMPORTANT SAFETY PRECAUTIONS. IT MEANS ATTENTION!!! BECOME ALERT!!! YOUR SAFETY IS INVOLVED.

ALWAYS WEAR EYE PROTECTION

HARDWARE PACK CONTENTS



ASSEMBLY

Your lawn mower has been completely assembled at the factory except for the handle and grass catcher.

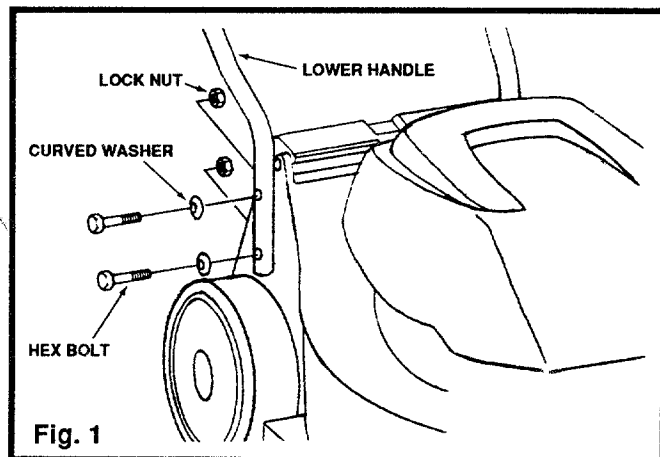
TO REMOVE MOWER FROM CARTON

- Remove loose parts if included with mower, (i.e. hardware pack, etc.).
- Cut down corners on one end of carton and lay end down flat.
- Remove packing material.
- Roll mower out of carton and check carton thoroughly for loose parts.

HOW TO SET-UP YOUR LAWN MOWER

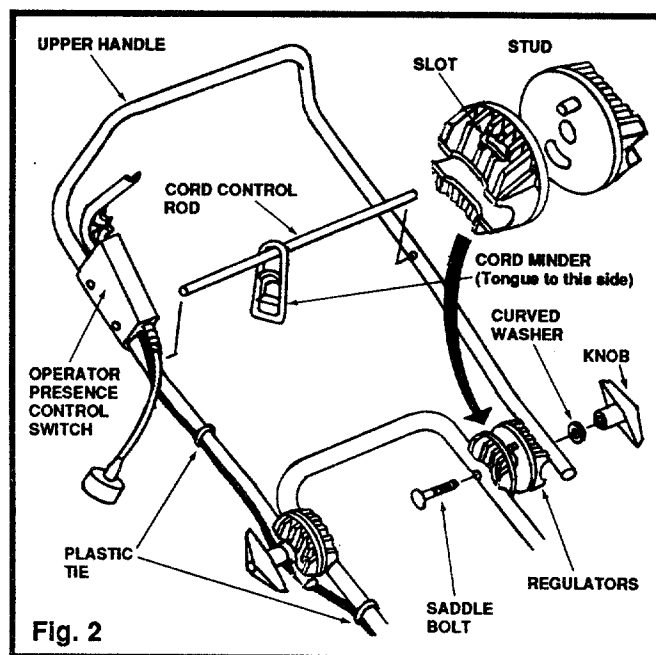
ATTACH LOWER HANDLE (See Fig. 1)

- Adjust mower to maximum cut height.
- Assemble lower handle with hex bolts, curved washers, and lock nuts to rear of deck as shown. Tighten securely all bolts & nuts.



ATTACH UPPER HANDLE (See Fig. 2)

- Position upper handle so operator presence control switch is on right side as viewed from behind mower and assemble to one side only of lower handle with saddle bolt, regulators, curved washer and knob as shown. NOTE: Sandwich two (2) regulators together - ensuring stud is aligned with slot in opposite half as shown.
- Remove extension cord control rod and cord minder from parts bag. Slide cord minder onto rod with tongue away from switch control and slip rod into holes on inside of upper handle. NOTE: Slip rod into hole on one side of handle first, then, carefully spread legs of handle and insert opposite end of rod into other side of handle.
- Assemble remaining side of upper handle with saddle bolt, regulators curved washer and knob as shown.
- Tighten knobs securely.
- Route power cord to lower handle with plastic ties (See Fig. 1).

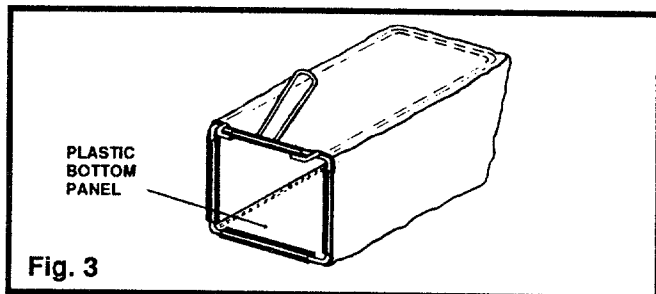


ASSEMBLE GRASS CATCHER (See Fig. 3)



CAUTION: DO NOT RUN YOUR LAWN MOWER WITHOUT THE CHUTE DOOR OR APPROVED GRASS CATCHER IN PLACE.

- With frame handle upwards, slip frame inside of bag so plastic bag panel is at bottom.
- Snap sleeves around bag opening onto catcher frame as shown.



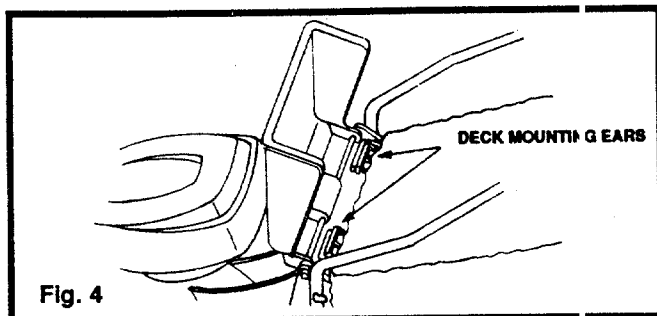
TO ATTACH GRASS CATCHER (See Fig. 4)

- Place grass catcher on the ground behind the lawn mower.
- Stand on the left side of the mower and open chute door with your left hand.
- With your right hand, reach through lower handle to lift grass catcher and push forward to hook frame onto deck mounting ears.
- After catcher is positioned snugly on mower, release chute door and allow it to rest on catcher handle.

TO REMOVE GRASS CATCHER

- Simply lift up chute door and pull catcher up and away from mower.

ASSEMBLY



CAUTION: UNDER NORMAL USAGE, THE CATCHER MATERIAL IS SUBJECT TO DETERIORATION AND WEAR AND SHOULD, THEREFORE, BE CHECKED FREQUENTLY FOR REPLACEMENT. ANY REPLACEMENT CATCHER SHOULD BE CHECKED TO ENSURE COMPLIANCE WITH ORIGINAL MANUFACTURER SPECIFICATIONS.

OPERATION

KNOW YOUR LAWN MOWER

READ THIS OWNER'S MANUAL AND SAFETY RULES BEFORE OPERATING YOUR ROTARY MOWER. Compare the illustrations with your Rotary Mower to familiarize yourself with the location of various controls and adjustments. Save this manual for future reference.

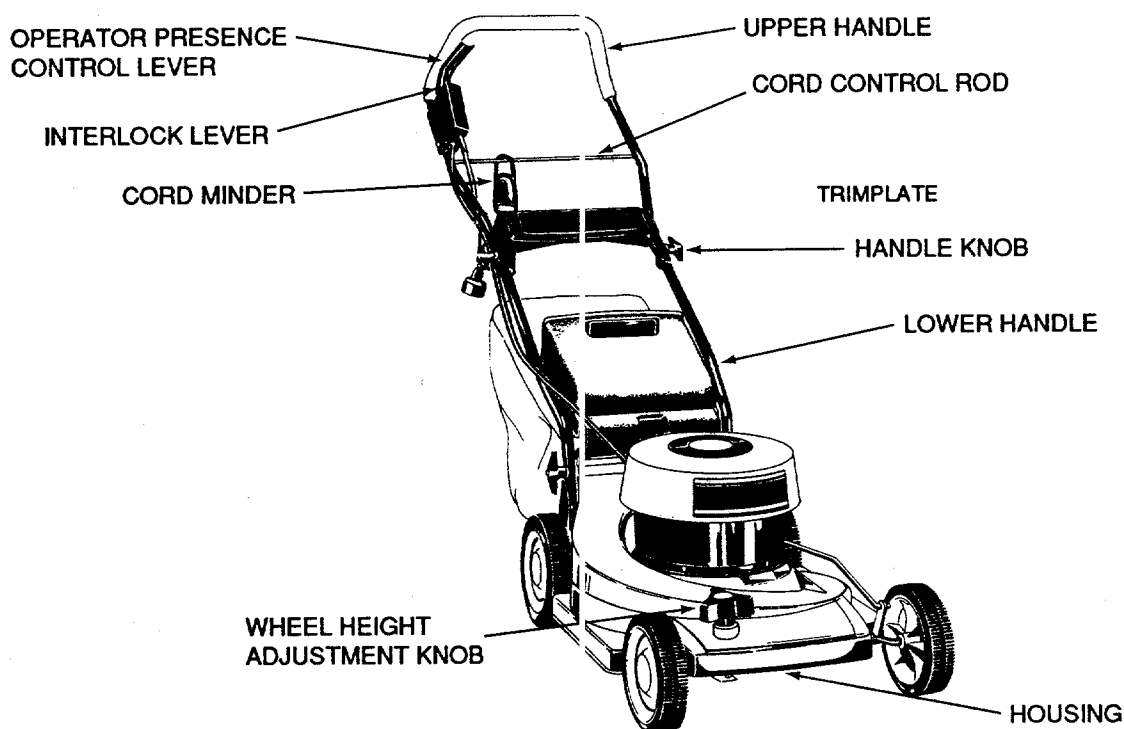


Fig. 5

MEETS CPSC SAFETY REQUIREMENTS

Our Rotary Walk-Behind Power Mowers conform to the safety standards of the American National Standards Institute, Underwriters Laboratories, Inc. and the U.S. Consumer Product Safety Commission. The blade turns when the motor is running.

OPERATOR PRESENCE CONTROL LEVER - must be pulled back to the handle to start and run the motor. Release to stop the motor.

INTERLOCK LEVER - must be pushed in to start motor. Helps prevent unintentional starting of motor.

CORD MINDER and CORD CONTROL ROD - Help prevent disconnection of extension cord from switch plug and keeps cord to side of handle - out of the way.

OPERATION

BEFORE USING YOUR LAWN MOWER, AGAIN REFER TO THE "SAFETY RULES" AS SHOWN ON PAGE 2 AND 3 OF THIS MANUAL. ALWAYS BE CAREFUL.



The operation of any Lawn Mower can result in foreign objects being thrown into the eyes, which can result in severe eye damage. Always wear safety glasses or eye shields before starting power tool operation or while performing any adjustments or repairs. We recommend Wide Vision Safety Mask for over spectacles or standard glasses available at Sears Retail or Catalog Stores.

HOW TO USE YOUR MOWER

OPERATOR PRESENCE CONTROL SWITCH

Your mower has a control switch which requires the operator to be behind the handle to start and run the mower. When the operator releases the control switch lever the motor will stop and an internal brake helps the blade to stop quickly.

NOTE: The high pitch noise that you will hear is the deceleration of the electric motor. Sparking at top of motor is also normal during deceleration.

When the operator leaves the operating position to remove the grass catcher, change the cutting height, pick up sticks or other objects in the way, the motor will stop automatically when the control lever is released.

ADJUST CUTTING HEIGHT (See Fig.6)



WARNING: TURN OFF MOTOR AND DISCONNECT POWER CORD BEFORE ADJUSTING WHEELS.

- Turn "DIAL ADJUST" knob clockwise to lower cutting height and counter clockwise to raise cutting height.

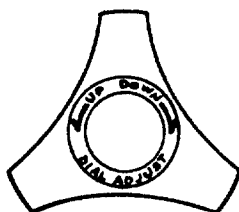


Fig. 6

NOTE: The cutting height range is approximately 7/8" to 3-1/4". The heights are measured from the ground to the blade tip with the motor not running. These heights are approximate and may vary depending upon soil conditions, height of grass and types of grass being mowed.

- The average lawn should be cut approx. 1-1/2 to 2 inches during the cool season and over 2 inches during hot months. For healthier and better looking lawns, mow often and after moderate growth.

ADJUST HANDLE HEIGHT (See Fig.7)

- Loosen knobs on each side of handle enough to allow regulator halves to separate slightly.
- Move handle up or down to desired position.
- Tighten knobs securely.

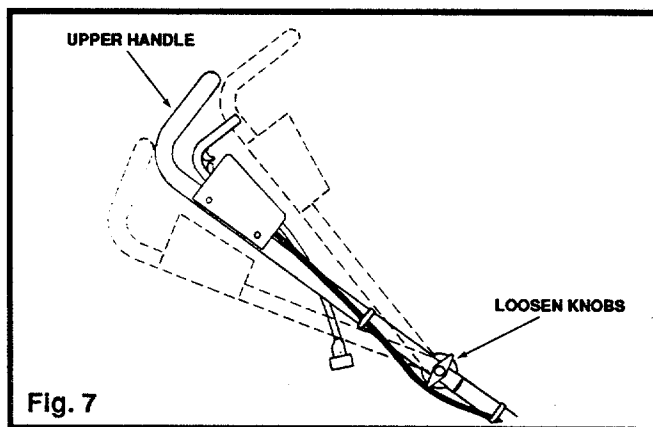


Fig. 7

BEFORE STARTING MOTOR



WARNING: MAKE SURE SWITCH LEVER IS IN "OFF" POSITION.

CORD CONNECTION (See Fig. 8A & 8B)

- Connect extension cord to cord minder. Allow enough excess cord to make switch box connection so cords will not separate when cord minder is in it's furthest position from switch box .

NOTE: Your mower switch box plug is equipped with a polarized AC power plug (one blade of the plug is wider than the other), which will fit into the power extension cord connector only one way . Should you be unable to insert the cord connector fully onto the switch box plug, try reversing the cord connector. Do not defeat the safety purpose of the polarized plug

- Plug extension cord into outlet. See page 2 and 3 for instructions on extension cords, power supply and grounding.

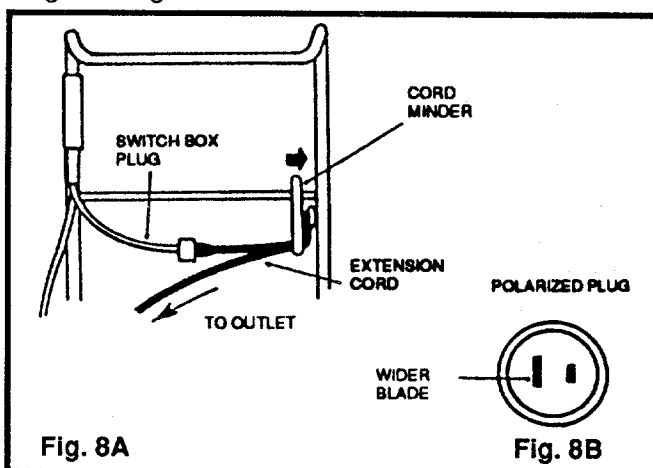


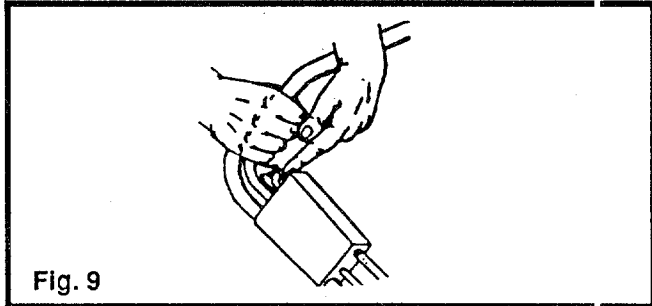
Fig. 8A

Fig. 8B

OPERATION

TO START MOTOR (See Fig. 9)

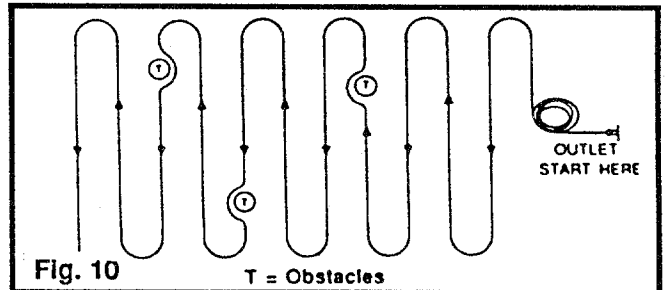
- TO RUN - Pull control lever back to handle with your right hand and push-in interlock lever with your left forefinger.
- TO STOP - Release control lever and motor will automatically shut-off.



MOWING TIPS (See Fig. 10)

- Under certain conditions, such as very tall grass, it may be necessary to raise the height of cut to reduce pushing effort and to keep from overloading the motor and leaving clumps of grass clippings.
- For extremely heavy cutting, reduce the width of cut.

- Never mow around the lawn in circles. Always travel back and forth across the lawn, beginning at the point nearest the electric outlet where you connect extension cord. Gradually move away from outlet as the lawn is mowed (This will keep the cord on the mowed area of the lawn and out of the way).
- Do not allow extension cord to become wrapped around trees, shrubs or other obstacles. Follow the technique illustrated.
- The length of extension cord you will need depends on the size of the area to be mowed. See extension cord information on page 2 of this manual.



- Pores in cloth grass catchers can become filled with dirt and dust with use and catchers will collect less grass. To prevent this, regularly hose catcher off with water and let dry before using.

MAINTENANCE



CAUTION: DISCONNECT POWER SUPPLY BEFORE PERFORMING ANY MAINTENANCE OR ADJUSTMENTS.

GENERAL RECOMMENDATION

- Follow the Service Recommendation Schedule on page 12.

MOWER

BLADE CARE

Your mower will work better with a sharp blade.

TO REMOVE BLADE (SEE FIG. 11):

- Turn mower on its side.
- Use a block of wood between blade and mower housing to prevent blade from turning when nut is removed. Protect your hands with gloves and/or wrap blade with heavy cloth.
- Remove keps nuts and open blade insulator.
- Remove cotter pin, blade nut, flatwasher, blade insulator and carriage bolts.

TO REPLACE BLADE (SEE FIG. 11):

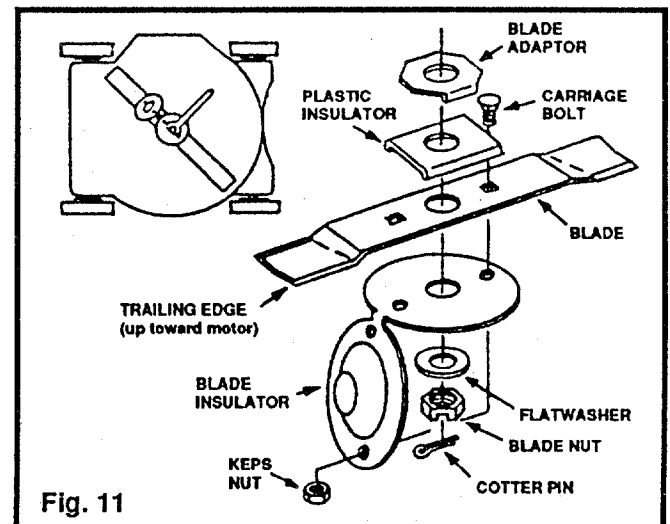
- All parts **MUST** be assembled in the exact order as shown.
- Be sure trailing edge of blade is up towards motor.
- Tighten blade nut securely (30-35 ft. lbs. torque).
- Re-insert cotter pin and bend ends to secure.

NOTE: If after tightening nut, the slot in nut is not aligned with hole in shaft, tighten nut, only enough to allow cotter pin insertion.



CAUTION: A LOOSE BLADE CAN BE DANGEROUS.

Use only a Sears authorized replacement blade to get the best cutting results.



NOTE: We do not recommend sharpening the blade - but if you do, be sure blade is balanced.

MAINTENANCE

TO SHARPEN BLADE (Cont.):

- Care should be taken to keep the blade balanced. An unbalanced blade will cause excessive vibration when running and eventual damage to mower and motor.
- To check blade balance, drive a nail into a beam or wall. Leave about one inch of the straight nail exposed. Place center hole of blade over the head of the nail. If blade is balanced, it should remain in a horizontal position. If either end of the blade moves downward, blade is not balanced. Sharpen the heavy end until the blade is balanced.

CLEANING



CAUTION: DISCONNECT POWER SUPPLY CORD

- Clean your mower often to keep build-up of trash from accumulating around motor cover.
- Turn mower on its side.
- Clean the underside of your mower by scraping to remove build-up of grass and trash.

NOTE: We recommend that you clean the underside of your mower after each use. **DO NOT** use water.

SERVICE AND ADJUSTMENTS

TO ADJUST CUTTING HEIGHT

See "ADJUST CUTTING HEIGHT" in operation section of manual.

REAR TRAIL SHIELD

The rear trail shield, attached between the rear wheels of your mower, is provided to minimize the possibility that objects will be thrown out the rear of the mower into the operator mowing position.

If the shield becomes damaged, it should be replaced.

STORAGE

Your mower should be prepared for off-season storage as follows:

MOWER

- Clean underside of mower housing (See "CLEANING" in maintenance section of manual).
- Inspect and replace/sharpen blade, if required (See "BLADE CARE" in maintenance section of manual).
- Lubricate as shown in Service Recommendation chart on page 10 of manual.
- Make sure switch is in off position for storage.

HANDLE (See Fig. 11A)

You can fold your mower handle for storage as shown.

- Loosen the two (2) hand knobs on sides of the handle and let the upper handle fold down to the rear.
- Loosen knob securing lower handle and pivot entire handle assembly forward and allow it to rest on mower.

NOTE: When folding handle for storage or transportation, be careful not bend or kink the power cord.

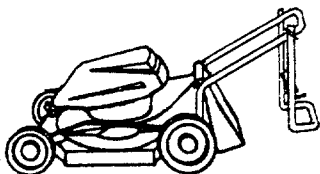


Fig. 11A

OTHER

- Do not store your mower under any plastic cover. Plastic cannot breathe which allows condensation to form and cause the metal components of your mower to rust.

EXTENSION CORDS

- Replace extension cord if cut or abraded.
- Extension cord should be wiped dry of any foreign substances such as oil or stains.
- Wind cord and store in cool, dry place (See cord winding tip).

CORD WINDING TIP (See Fig.12).

- To help prevent snarling, as you pick cord up, wind cord in a series of equal loops on each side of your hand.

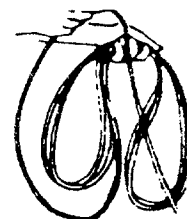


Fig. 12

SERVICE RECOMMENDATIONS

SERVICE RECORD Fill in Dates as you complete regular service	SCHEDULE		SERVICE DATES					
	Every 25 Hours	Every Use						
Blade Replaced	✓							
Lubricate Mower	✓							
Cleaning		✓						
Grass Catcher	✓							

✓ - CHECK

LUBRICATION

MOTOR

The motor on your mower does not require lubrication.

WHEELS

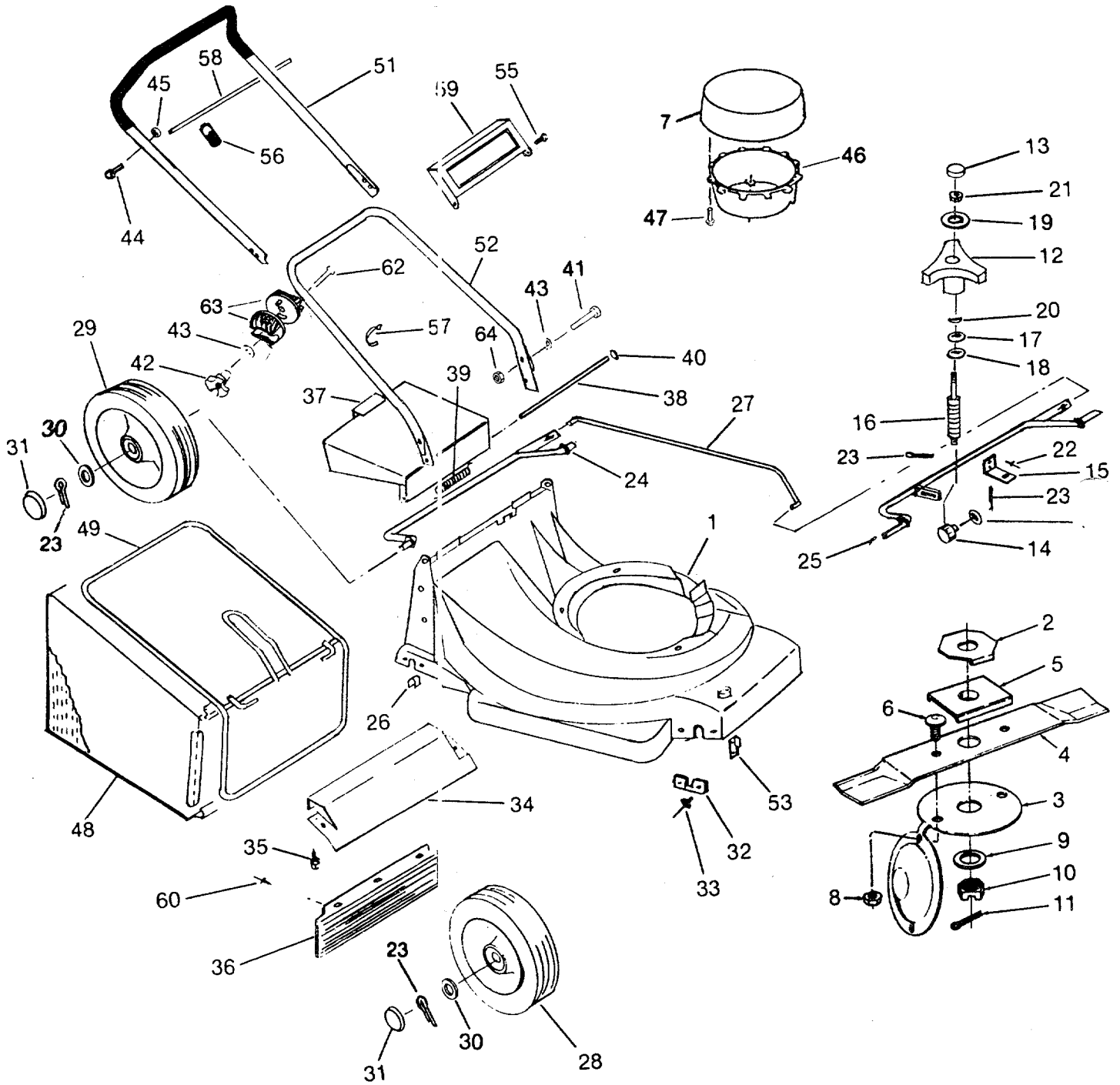
DO NOT oil or grease the wheel bearings. Viscous lubricants will attract dust and dirt that will shorten the life of the self-lubricating wheel bearings. If you feel the wheels must be lubricated, use only a dry, silicone type lubricant sparingly.

TROUBLE SHOOTING POINTS

PROBLEM	CAUSE	CORRECTION
Does not start	<ol style="list-style-type: none"> 1. Operator Presence Control Lever in released position. 2. Extension cord disconnected. 3. Blown fuse or a tripped circuit breaker. 4. Operator Presence Control Switch defective. 	<ol style="list-style-type: none"> 1. Pull back Operator Presence Control Lever- push in Interlock Lever. 2. Be sure that the extension cord is plugged into the outlet and the Lawn Mower switch plug. 3. Check to see if a fuse has been blown or a circuit breaker tripped in your electrical box. 4. Replace Control Switch.
Frequent Blowing of Fuses	<ol style="list-style-type: none"> 1. Cutting too much grass. 2. Circuit overloaded. 	<ol style="list-style-type: none"> 1. Set in "Higher Cut" position. 2. Do not use a higher rated fuse without consulting your power company. If condition persists, (be sure circuit is not overloaded) have your unit checked by your nearest Authorized Service Center.
Loss of Power	<ol style="list-style-type: none"> 1. Cutting too much grass. 2. Build-up of grass, leaves and trash under mower. 	<ol style="list-style-type: none"> 1. Set in "Higher Cut" position. 2. Disconnect power cord and clean underside of mower housing.
Poor cut - Uneven	<ol style="list-style-type: none"> 1. Worn, bent or loose blade. 2. Build-up of grass, leaves and trash under mower. 	<ol style="list-style-type: none"> 1. Replace blade. Tighten blade nut. 2. Disconnect power cord and clean underside of mower housing.
Too much Vibration	<ol style="list-style-type: none"> 1. Worn, bent or loose blade. 2. Bent motor shaft. 	<ol style="list-style-type: none"> 1. Replace blade. Tighten blade nut. 2. Contact Authorized Service Center.
Hard to Push	<ol style="list-style-type: none"> 1. High grass or cutting height too low. 2. Rear of mower housing/blade dragging in heavy grass. 	<ol style="list-style-type: none"> 1. Raise cutting height. 2. Raise cutting height.

Model 124K (4416)

 **WARNING: INSULATORS ARE SAFETY COMPONENTS. IT IS IMPORTANT THAT ALL PARTS BE REASSEMBLED IN POSITIONS SHOWN.**




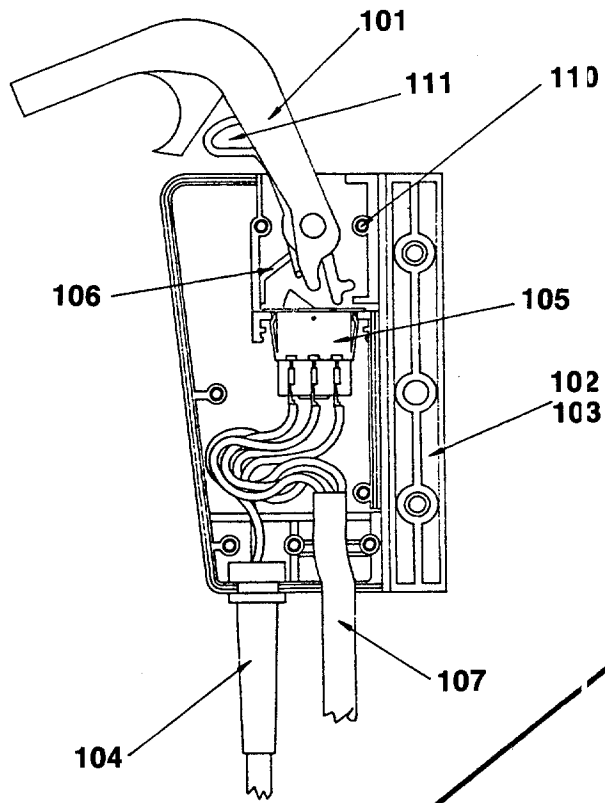
Model 124K (4416)

REF. NO.	PART NO.	DESCRIPTION
1	782-0005	Deck-16" Molded
2	748-0343	Blade Adaptor
3	731-1217	Blade Insulator
4	742-0566	Blade-16" Electric
5	731-1218	Insulator-Adaptor
6	710-0451	Carriage Bolt 5/16-18 x 3/4"
7	731-1214	Motor Cover Top
8	712-0437	Keps Nut 5/16-18
9	736-0462	Washer (Special Heat Treated)
10	712-0401	Slotted Hex Nut 1/2-20
11	714-0228	Cotter Pin 3/32 x 1" (Special-Stainless Steel)
12	720-0259	Knob-Height Adjust
13	720-0260	Plug-Height Adjust Knob
14	712-0408	Trunion -Height Adjust
15	782-0510	Bracket-Screw Brace
16	717-1730	Screw Shaft-Height Adjust
17	736-0467	Washer (Special)
18	736-0470	Washer (Special)
19	736-0471	Washer (Special)
20	736-0472	Spring Washer (Special)
21	712-0409	Nut-Metric (Special)
22	728-0143	Blind Rivet
23	714-0507	Cotter Pin 3/32 x 3/4"
24	611-0004	Rear Axle Assembly
25	611-0005	Front Axle Assembly
26	741-0583	Bushing-Axle
27	742-0792	Link Rod-Height Adjust
28	734-1658	Wheel-6"
29	734-1659	Wheel-7"
30	736-0185	Flatwasher 3/8"
31	720-0251	Hub Cap
32	782-9009	Retainer-Axle
33	728-0176	Blind Rivet
34	782-7004	Support-Deck & Trail Shield
35	710-1200	Screw-Metric (Special)
36	731-1247	Trail Shield
37	731-1248	Chute Door
38	747-0793	Hinge Pin
39	732-0669	Spring-Chute Door
40	726-0310	Pushnut Retainer
41	710-0606	Hex Bolt 1/4 - 20 x 1 1/2
42	720-0241	Knob-Handle
43	736-0486	Saddle Washer
44	710-1171	Screw #10-24 x 1-1/4" Slotted Rd. Head
45	712-0161	Nut #10-24 Locking
46	731-1215	Motor Cover Bottom
47	710-1128	Screw #10-16 x 3/4"
48	764-0276	Grass Bag
49	664-0101	Catcher Frame Assembly
51	649-0152	Upper Handle with Foam Grip (Electric)
52	749-0855	Lower Handle
53	782-0508	Bracket-Axle Brace
55	710-1168	Screw #10-16 x 3/4" Sheet Metal
56	725-1590	Cord Minder
57	726-0300	Plastic Tie
58	747-0795	Rod-Cord Control
59	720-0253	Trimplate
60	728-0225	Blind Rivet
62	710-1079	Saddle Bolt 5/16-18 x 2 1/2"
63	731-1178	Handle Regulator Half
64	712-0234	Nut 1/4 - 20 Locking
-	770-7184E	Owner's Manual (Not Shown)

Model 124K (4416)

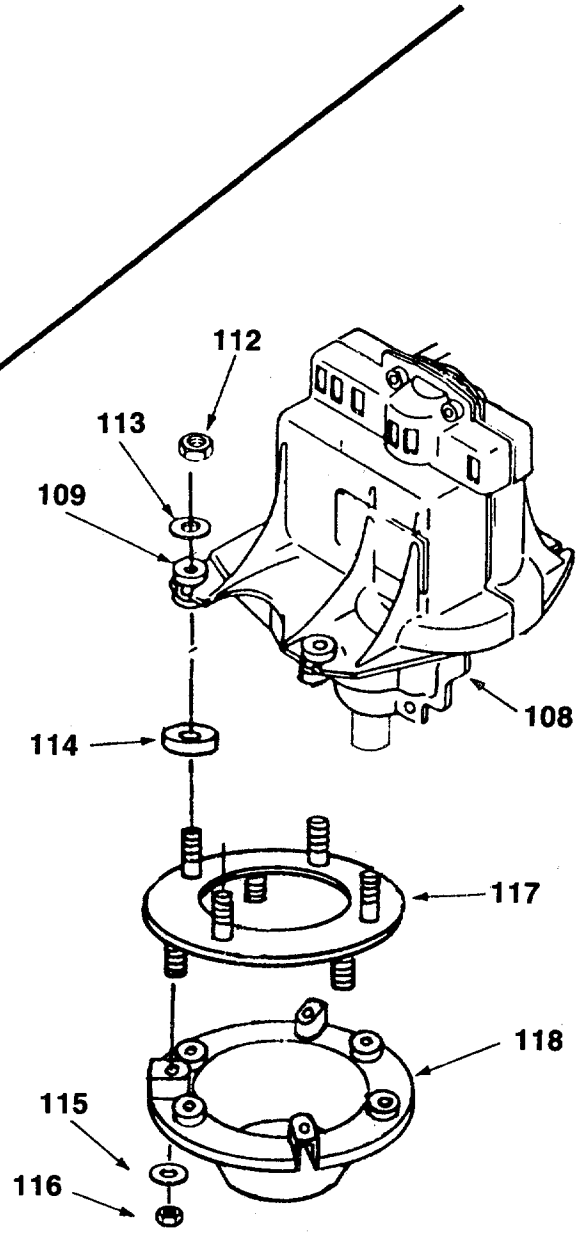
MOTOR & SWITCH ASSEMBLY

 **WARNING:** Insulators are safety components. It is important that all parts be reassembled in positions shown. Service replacement motors are supplied with insulators attached.



SWITCH DETAIL
Complete Cord &
Switch Assembly

119



Model 124K (4416)



WARNING: The motor is an important part of the double insulated system. To avoid the possibility of alteration or damage to the system, it is recommended that service be performed at an authorized Service Center.

REF. NO.	Part No.	Description
101	725-1594	Handle-Switch
102	731-1181	Housing-Upper Half
103	731-1182	Housing-Lower Half
104	729-0316	Plug Assembly
105	725-1565	Switch
106	732-0666	Spring-Switch Handle
107	624-0027	Cord Assembly
108	624-0026	Complete Motor & Switch Assembly
109	731-1216	Insulator - Motor Housing
110	710-1172	Screw-Switch Box (Special-Not shown)
111	731-1183	Interlock Trigger
112	712-0324	Nut 1/4-20 Locking*
113	736-3090	Flatwasher 1/4''*
114	731-1175	Spacer*
115	736-0461	Flatwasher 5/16''*
116	712-0429	Nut 5/16-18 Locking*
117	818-60006	Motor Mounting Plate Assembly*
118	720-0262	Motor Shield*
119	818-60138	Cord & Switch Box Assembly (Complete)

*Not Part of Complete Motor & Switch Assembly.

HOW TO ORDER REPLACEMENT PARTS

The model number will be found on a plate attached to your mower.
When ordering replacement parts, always give the following information:

1. Part Number
2. Part Description
3. Model Number
4. Name of Unit