

OWNER'S GUIDE

Model No. 181-830

10 CENTS

ELECTRIC ROTARY MOWER

WARRANTY

For one year from date of purchase, MTD Products, Inc., will replace for the original purchaser, free of charge, F.O.B. factory or authorized service firm, any part or parts found to be defective in material or workmanship. All transportation charges on parts submitted for replacement under this warranty must be paid by the purchaser. This warranty does not include replacement of parts which become inoperative through misuse, excessive use, accident, neglect, improper maintenance or alterations by unauthorized persons. This warranty does not include the engine, motor, battery, battery charger or any component parts thereof. For service on these units refer to the applicable manufacturer's warranty.

The above warranty will apply only to the original owner and will be effective only if the warranty card has been properly processed. It will not apply where the unit has been used commercially.

Warranty service is available through your local authorized service dealer or distributor. UNDER NO CIRCUMSTANCES WILL THE RETURN OF A COMPLETE UNIT BE ACCEPTED BY THE FACTORY UNLESS PRIOR WRITTEN PERMISSION HAS BEEN EXTENDED.

SAFETY RULES

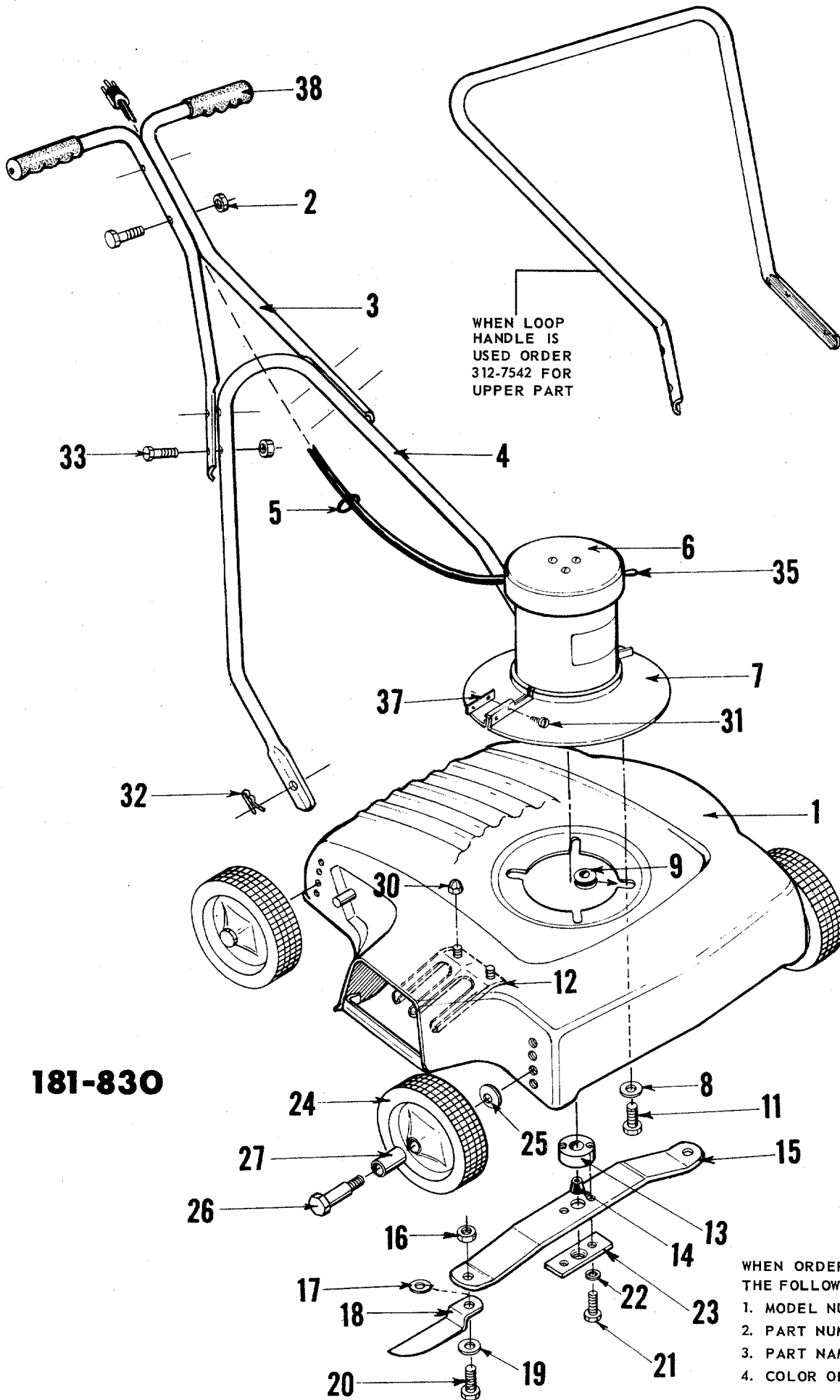
Your electric mower is a precision piece of power equipment, not a plaything. Therefore exercise extreme caution at all times.

CAUTION: THE BLADES TURN SILENTLY. AFTER THE SWITCH HAS BEEN TURNED OFF. THE BLADES WILL CONTINUE TO ROTATE FOR A PERIOD OF FIFTEEN SECONDS.

Wait for at least ninety seconds after disconnecting power supply before any maintenance is performed. Be sure plug is removed from power outlet!

1. Remove all sticks, stones, wire, and other hazardous items from lawn before mowing. Such items are dangerous to both the mower and individuals in the vicinity of the mower.
2. Inspect electric extension cord regularly and replace it if damaged.
3. **NEVER** place hands or feet under mower or near discharge chute while mower is running.
4. Do not use, or let stand, in rain.
5. Switch off motor and disconnect electric extension supply cord immediately when finished mowing.
6. Disconnect electric extension cord when storing mower.
7. Keep children and pets away from area at all times during mowing operation. Never allow mower to discharge grass toward any person.
8. Do not attempt to start motor while mower is resting in high grass.
9. **Check all nuts and bolts, particularly the blade bolts, for tightness. This is especially important during the initial operation period. Make this same check periodically thereafter.**
10. While operating the mower, if any foreign object is struck, stop the mower and inspect for damage. Do not restart or operate the mower until all damage has been repaired.

WARNING: Should excessive vibration develop, check your blade and blade shaft immediately. Do not operate mower with an unbalanced blade, a damaged blade or a damaged blade shaft.



181-830

WHEN ORDERING PARTS GIVE THE FOLLOWING INFORMATION:

1. MODEL NUMBER
2. PART NUMBER
3. PART NAME
4. COLOR OF PART

18" ELECTRIC MOWER

Illus. No.	181-830 Part No.	DESCRIPTION
1	437-10098	Deck Assembly
2	712-107	Hex Center Lock Nut 1/4 – 20 Thread *
3	312-9363	Upper Handle
4	312-7008	Lower Handle
5	735-284	Rubber Ring
6	725-158	Motor
7	312-9594	Drain Ring Assembly
8	736-300	Flat Washer for 3/8 Screw *
9	734-289	Rubber Grommet
10	711-376	Sleeve 3/8 I.D. (Not Shown)
11	710-216	Hex Head Cap Screw 3/8-16 x 3/4 Lg. *
12	310-7082	Finger Assembly
13	748-260	Drive Collar
14	305-7190	Cone Bushing
15	312-7216	Bar
16	712-372	Hex Center Lock Nut 5/16 – 18 Thread*
17	736-119	Spring Lock Washer for 5/16 Screw*
18	310-7217	Blade Cutter
19	736-264	Flat Washer for 5/16 Screw *
20	710-259	Bolt Blade 5/16 – 18 x 5/8 Lg. *
21	710-258	Hex Bolt 1/4 – 20 x 5/8 Lg. *
22	736-329	Spring Lockwasher for 1/4 Screw *
23	310-7633	Plate Blade Clutch
24	512-9392	Wheel Assembly
25	736-105	Belleville Washer 3/8 I.D.
26	738-213	Axle Bolt
27	305-7006	Fortiflex Bearing
30	712-190	Acorn Palnut 1/4 – 20 Thread
31	710-127	Hex Head Sheet Metal Screw #10 x 1/2 Lg. *
32	714-507	Cotter Pin *
33	710-106	Hex Head Cap Screw 1/4 – 20 x 1-1/4 Lg.
35	108P072-H01	Switch Motor
36	310-7475	Blade Assembly Complete
37	712-225	Speed Nut – Twin Type
38	305-7071	Grips

* For faster service order standard nuts, bolts, and washers locally. If these items cannot be obtained locally, order by part number and size as shown on parts list.

NOTE: This instruction manual covers various models and all accessories shown do not necessarily apply to your model mower.

If repairs or service is needed on the engine, please contact your nearest authorized Westinghouse outlet. Check the "Yellow Pages" of your telephone book under "Electric Motors – Repair."



ASSEMBLY

Your new mower is shipped preassembled with the exception of the handle.

1. Remove lawn mower and all parts from the carton. Make certain that all loose parts and literature have been removed before the carton is discarded.
2. Assemble the upper and lower handle parts with cap screws and locknuts provided in parts bag.
3. Place one rubber ring on the upper right hand side and one rubber ring on the lower right hand side of the handle.
4. Holes at the bottom of the handle are to be fitted over studs located in front of each rear wheel mounting position.
5. The electric motor supply cord is secured to the handle by passing the outlet plug through the rubber rings.

ELECTRIC POWER SUPPLY

Any convenient 110-120 volt 60 cycle A.C. outlet or receptacle may be used for your source of power. This outlet may be located either out of doors or in doors. If an inside receptacle is used, the extension cord can be taken out either through the doorway or a window. To avoid blowing fuses, pick an outlet that is not overloaded. Your mower will operate satisfactorily on a circuit that is fused for 15 amperes. Do not use oversize fuses without consulting your power company.

OPERATING INSTRUCTIONS:

1. Read all instructions before attempting to operate your mower. To do so will enable you to get maximum service and performance.
2. Before starting the motor, place mower where the blade can rotate freely. Do not attempt to start the motor while the mower is standing in high grass.
3. After the extension cord is attached (extension cord is not provided with the mower), the motor can be started by moving the toggle switch to the start position. The switch must be held in this position for several seconds. The motor is stopped by moving the toggle switch to the stop position.

The toggle switch is a dual purpose safety switch. It serves as a safety device, and it prevents overloading of the motor. If, during the mowing operation, the motor becomes overloaded or over heated, it will automatically cut out. After a period of several minutes, and when the blade has stopped rotating, the motor may again be started by moving the toggle switch to the start position. If the motor temperature still exceeds safe level, the motor will continue to cut out until the temperature has reached a safe level. If the motor cuts out too frequently, check the following:

1. Mower may be set too low . . . raise the cutting height.
2. Cutter blades may be too dull . . . sharpen cutter blades.
3. Voltage may be too low . . . have local power company check voltage at your power source.

If during the mowing operation, the power is disconnected, the mower will not resume operation by merely reconnecting the extension cord to the power source. After power is again connected, the toggle switch must again be moved to the start position.

CAUTION: The blades turn silently. After the switch has been turned off, the blades will continue to rotate for a period of fifteen seconds.

NOTE: This mower is designed for lighter service than many of the gasoline powered mowers. If thick, heavy grass is encountered, the operator should reduce his walking speed to compensate for the heavier job to be done.

ADJUSTMENTS

CAUTION: Do not at any time make any adjustments to your mower without first checking the following:

1. Turn the toggle switch to the OFF position.
2. Disconnect the extension cord.
3. Make sure the blade has stopped rotating.

CUTTING HEIGHT - Adjustment may be made by removing and moving the wheel studs to the desired position. Cutting heights will be raised as the wheel studs are moved to a lower hole and lowered as the wheel studs are moved to a higher hole in the deck. All wheel studs must be positioned in a relative position to the deck.

LUBRICATION

WHEELS - Wheel bearings are of self lubricating Fortiflex. They require no lubrication.

MOTOR - The motor has been pre-oiled and will not require further lubrication for approximately one year. After that time, five drops of a good grade of light oil (S.A.E. 10 or 20) should be placed in the lubricating holes. One is under the top canopy and the other is on the end frame of the motor where it extends through the mower deck. If necessary, remove the blade assembly to reach the lower lubricating hole. **DO NOT OVER LUBRICATE.**

MAINTENANCE

CUTTING BLADE - A sharp edge must be maintained on the cutter blade for efficient mowing. They are easily removed for sharpening by loosening the locknut from the cutter blade assembly. When sharpening, follow the original angle of grind as a guide. It is extremely important that each cutting edge receives an equal amount of grinding to prevent an unbalanced blade. An unbalanced blade will cause excessive vibration when rotating at high speeds and may cause damage to the motor or the mower. Upon reassembly, make certain that all parts are assembled as shown in the diagram. All parts must be tightened securely.

DECK - The underside of the mower deck should be cleaned after each period of use as grass clippings, leaves, dirt and other matter will accumulate. This accumulation is undesirable as it will invite rust and corrosion and may cause an uneven discharge of grass clippings at the next mowing.

STORAGE - The following steps should be taken to prepare the mower for storage.

1. Clean and lubricate mower thoroughly as described in the preceding instructions.
2. Coat mower's cutting blade with chassis grease to prevent rusting.
3. Place blocks under deck to raise tires clear of floor.
4. Store mower in dry, clean area.

MOWING HINTS

For best results, do not cut wet grass. It tends to stick to the underside of the mower thus preventing proper discharge of grass clippings. If heavy wet grass must be cut, reduce walking speed to allow for more effective distribution of the clippings.

New grass should be treated as wet grass. Otherwise, a normal walking speed is about the right pace for efficient mowing.

The best mowing pattern is one that allows the clippings to discharge toward the uncut part of the lawn. This permits recutting the clippings to further pulverize them. The lawn should be cut in the fall as long as there is growth.