



REMGOR®

IMI CORNELIUS INC.
One Cornelius Place
Anoka, MN. 55303-6234
Telephone 1-800-238-3600
Facsimile 1-800-258-0255

INSTALLATION INSTRUCTIONS ED250 DISPENSER/ICE-O-MATIC MODEL C106 ICEMAKER

Table 1. Loose-Shipped Parts

Item No.	Part No.	Name	Qty.
1	22127	Bracket, Icemaker Mounting	2
2	50904	RTV, 3OZ. Tube	1
3	70226	#10 Sheet Metal Screw	8

1. Seal the icemaker to the top of the dispenser as follows (see Figure 1).
 - A. Locate the outline of the icemaker on the dispenser lid as shown in Figure 1.
 - B. Run a bead of RTV inside the perimeter of the icemaker outline on the dispenser lid so that the icemaker will set on the RTV.
 - C. Set the icemaker onto the lid and position it as shown in Figure 1.
 - D. Wipe away the excess RTV.
2. Drill .136 diameter holes (#29 drill) into the icemaker cabinet and the dispenser lid using the icemaker mounting brackets as templates. Use extreme caution not to drill into any icemaker components (condenser, tubing, etc.). Secure the brackets using the #10 sheet metal screws, 8 provided.
3. Follow the icemaker manufacturer's instructions to complete the installation of the icemaker including the bin thermostat if so equipped or required.



CAUTION: The bin thermostat location must not interfere with agitator rotation.

4. Secure the manual fill cover in position on the lid over the rear bin access opening with the thumbscrew. Note that the insulation strip should be compressed against the icemaker cabinet to form a seal with the cover secured in position.

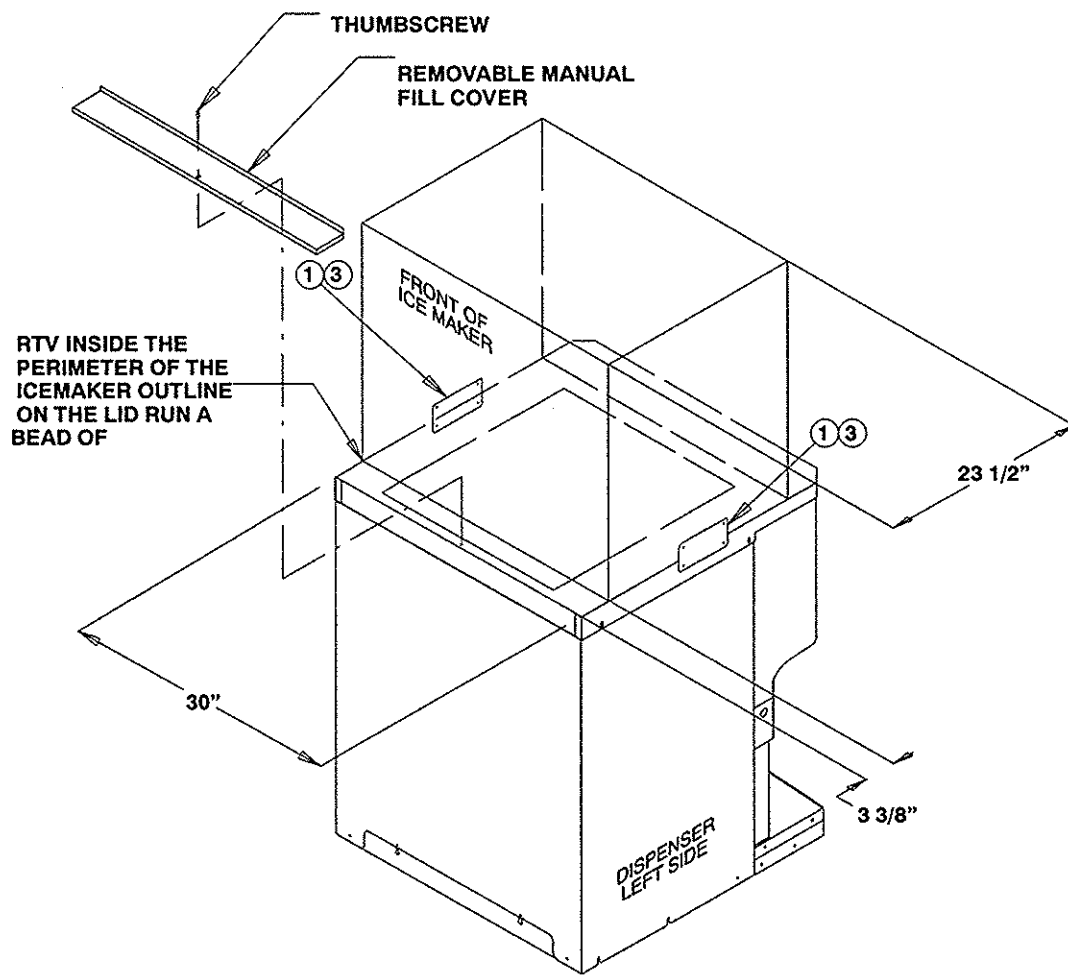


FIGURE 1. DISPENSER REAR VIEW