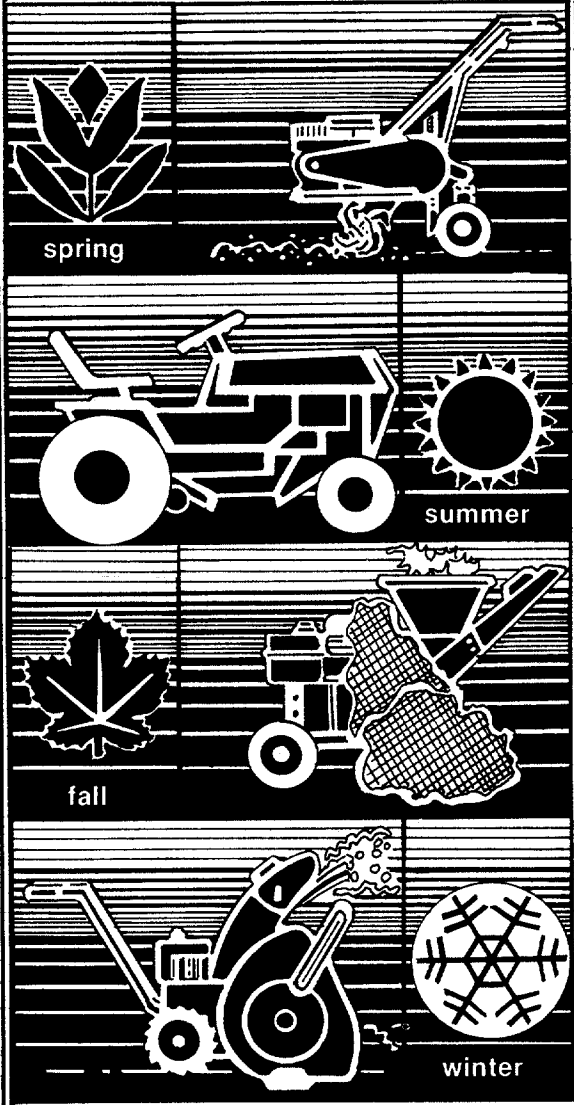


# OWNER'S GUIDE

OUTDOOR POWER EQUIPMENT  
for all seasons



## 26" SINGLE SPEED RIDING MOWERS

Model Numbers  
135-500-000  
135-501-000  
135-510-000  
135-511-000

**Important:**  
**Read Safety Rules and**  
**Instructions Carefully**

Thank you for purchasing  
an American-built product.

# INDEX

Safe Operation Practices .....	3	Off-Season Storage .....	17
Assembly Instructions .....	4	Trouble Shooting Charts .....	18-19
Controls .....	8	Electrical Diagram .....	20
Operation .....	10	Illustrated Parts for Rider .....	21, 22, 24, 26, 28
Adjustments .....	12	Parts List for Rider .....	21, 23, 25, 27, 29
Lubrication .....	13	Illustrated Parts for Transaxle .....	30, 31
Maintenance .....	13	Parts Information .....	Back Cover



Instructions given with this symbol are for personal safety. Be sure to follow them.

## LIMITED WARRANTY

For one year from the date of original retail purchase, MTD PRODUCTS INC will either repair or replace, at its option, free of charge, F.O.B. factory or authorized service firm, any part or parts found to be defective in material or workmanship. Transportation charges for the movement of any power equipment unit or attachment are the responsibility of the purchaser. Transportation charges for any parts submitted for replacement under this warranty must be paid by the purchaser unless such return is requested by MTD PRODUCTS INC.

This warranty will not apply to any part which has become inoperative due to misuse, excessive use, accident, neglect, improper maintenance, alterations, or unless the unit has been operated and maintained in accordance with the instructions furnished. This warranty does not apply to the engine, motor, battery, battery charger or component parts thereof. Please refer to the applicable manufacturer's warranty on these items.

This warranty will not apply where the unit has been used commercially.

Warranty service is available through your local authorized service dealer or distributor. If you do not know the dealer or distributor in your area, please write to the Customer Service Department of MTD.

The return of a complete unit will not be accepted by the factory unless prior written permission has been extended by MTD.

This warranty gives you specific legal rights. You may also have other rights which vary from state to state.



**WARNING**

This unit is equipped with an internal combustion engine and should not be used on or near any unimproved forest-covered, brush-covered or grass-covered land unless the engine's exhaust system is equipped with a spark arrester meeting applicable local or state laws (if any). If a spark arrester is used, it should be maintained in effective working order by the operator.

In the State of California the above is required by law (Section 4442 of the California Public Resources Code). Other states may have similar laws. Federal laws apply on federal lands. A spark arrester muffler is available at your nearest engine authorized service center.



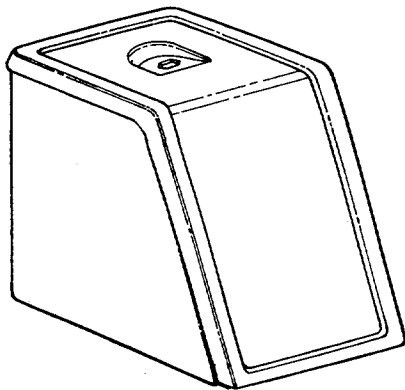
To reduce the potential for any injury, comply with the following safety instructions. Failure to comply with the instructions may result in personal injury.

## SAFE OPERATION PRACTICES FOR RIDING VEHICLES

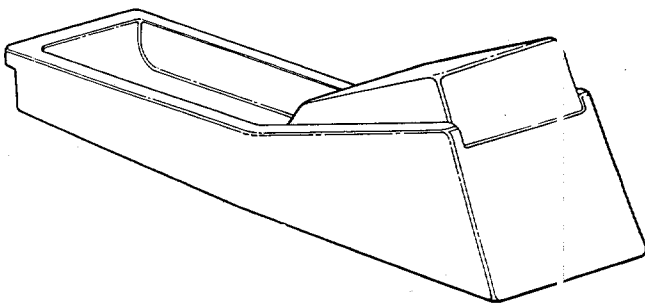
1. Read this owner's manual carefully in its entirety before attempting to assemble or operate this unit. Keep this manual in a safe place for future and regular reference and for ordering replacement parts.
2. This unit is a precision piece of power equipment, not a plaything. Therefore exercise extreme caution at all times.
3. Know the controls and how to stop quickly—READ THIS OWNER'S MANUAL.
4. Do not allow children to operate vehicle. Do not allow adults to operate it without proper instruction. Only persons well acquainted with these rules of safe operation should be allowed to use your mower.
5. No one should operate this unit while intoxicated or while taking medication that impairs the senses or reactions.
6. Wear sturdy, rough-soled work shoes and close-fitting slacks and shirts to avoid entanglement in the moving parts. Never operate a unit in bare feet, sandals, or sneakers.
7. To prevent injury, do not carry passengers or give rides. Keep children, pets and bystanders out of the area while mowing. Only the operator should ride on the unit and only ride in the seat.
8. Check overhead clearance carefully before driving under power lines, guy wires, bridges or low hanging tree branches, before entering or leaving buildings, or in any other situation where the operator may be struck or pulled from the unit, which could result in serious injury.
9. To maintain control of the unit and reduce the possibility of upset or collision, operate the tractor smoothly. Avoid erratic operation and excessive speed.
10. Keep the area of operation clear of all persons, particularly small children and pets. Stop engine when they are in the vicinity of your mower. Although the area of operation should be completely cleared of foreign objects, a small object may have been overlooked and could be accidentally thrown by the mower in any direction and cause injury.
11. Clear work area of objects which might be picked up and thrown by the mower in any direction and cause injury.
12. Stop the blade(s) when crossing gravel drives, walks or roads.
13. Disengage all attachment clutches and shift into neutral before attempting to start engine.
14. Disengage power to attachment(s) and stop engine before leaving operating position.
15. Do not put hands or feet near or under rotating parts. Keep clear of the discharge opening at all times as the rotating blade(s) can cause injury.
16. Disengage power to attachment(s) and stop engine before making any repairs or adjustments. Disconnect the spark plug wire and keep the wire away from the plug to prevent accidental starting.
17. Before attempting to unclog the mower or discharge chute, stop the engine. The mower blade(s) may continue to rotate for a few seconds after the engine is shut off. Therefore, be sure the blade(s) have stopped completely. Disconnect the spark plug wire and keep the wire away from the plug to prevent accidental starting.
18. Disengage power to attachment(s) when transporting or not in use.
19. Take all possible precautions when leaving vehicle unattended such as disengaging power-take-off, lowering attachments, shifting into neutral, setting parking brake, stopping engine and removing key.
20. Do not stop or start suddenly when going uphill or downhill. Mow up and down face of steep slopes; never across the face. Use extreme caution if it is necessary to drive the tractor up an incline or back the tractor down an incline because the front of the tractor could lift and rapidly flip over backward which could cause serious injury.
21. Reduce speed on slopes and in sharp turns to prevent tipping or loss of control. Always keep the tractor in gear when going down steep hills to take advantage of engine braking action.
22. Stay alert for holes in terrain and other hidden hazards.
23. Use care when pulling loads or using heavy equipment.
  - A. Use only approved drawbar hitch points.
  - B. Limit loads to those you can safely control.
  - C. Do not turn sharply. Use care when backing.
  - D. Use counterweight(s) or wheel weights when suggested in owner's manual.
24. Watch out for traffic when crossing or near roadways.
25. When using any attachments, never direct discharge of material toward bystanders nor allow anyone near vehicle while in operation.
26. Handle gasoline with care. It is highly flammable.
  - A. Use approved gasoline container.
  - B. Never remove cap or add gasoline to a running or hot engine or fill fuel tank indoors. Wipe up spilled gasoline.
  - C. Open doors if engine is run in garage. Exhaust fumes are dangerous. Do not run engine indoors.

27. Keep the vehicle and attachments in good operating condition, and keep safety devices in place. Use guards as instructed in operator's manual.
28. Keep all nuts, bolts, and screws tight to be sure the equipment is in safe working condition.
29. Never store the equipment with gasoline in the tank inside a building where fumes may reach an open flame or spark. Allow engine to cool before storing in any enclosure.
30. To reduce fire hazard, keep engine free of grass, leaves or excessive grease.
31. The vehicle and attachments should be stopped and inspected for damage after striking a foreign object. The damage should be repaired before restarting and operating the equipment.
32. Do not change the engine governor settings or overspeed the engine.
33. When using the vehicle with mower, proceed as follows:
  - (1) Mow only in daylight or in good artificial light.
  - (2) Never make a cutting height adjustment while engine is running if operator must dismount to do so.
  - (3) Shut the engine off and wait until the blade comes to a complete stop before removing the grass catcher.
  - (4) Check blade mounting bolts for proper tightness at frequent intervals.
34. Check grass catcher bags frequently for wear or deterioration. For safety protection, replace only with new bag meeting original equipment specifications.
35. Look behind to make sure the area is clear before placing the transmission in reverse and continue looking behind while backing up. Disengage blades before shifting into reverse and backing up.
36. This unit should not be driven up a ramp onto a trailer or truck under power, because the unit could tip over, causing serious personal injury. The unit must be pushed manually to load properly.

## ASSEMBLY INSTRUCTIONS



**Style A**



**Style B**

FIGURE 1.

### NOTE

This unit is shipped WITHOUT GASOLINE or OIL. After assembly, see separate engine manual for proper fuel and engine oil recommendations.

This owner's manual covers various models of riding mowers. The units illustrated may vary slightly from your unit.

Examine the steering box cover on your unit, and determine if it is Style A or Style B as shown in figure 1. Follow only those instructions which pertain to your style riding mower.

### NOTE

Reference to right hand or left hand side of machine is from the driver's seat facing forward.

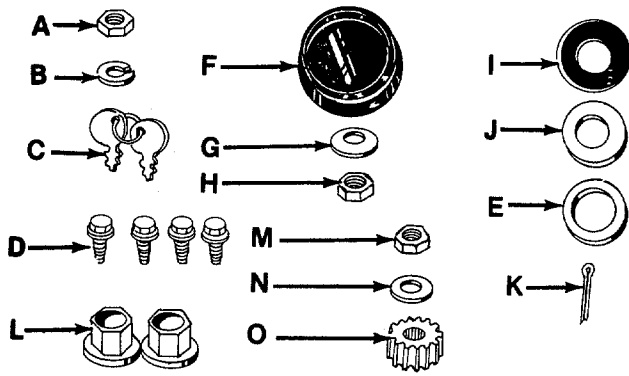


FIGURE 2A.—Hardware for Style A

Contents of Hardware Pack for Style A:  
(See Figure 2A)

- A (1) Hex Nut 1/2-13 Thread
- B (1) Lock Washer 1/2" I.D.
- C (2) Ignition Keys (May be on Rider)
- D (4) Hex Self-Tapping Screws
- E (1) Flat Washer 5/8" I.D. x 1 1/4" O.D.
- F (1) Steering Wheel Cap
- G (1) Cupped Washer 5/16" I.D.
- H (1) Hex Nut 5/16-18 Thread
- I (1) Steering Tube Spacer
- J (1) Flat Washer 5/8" I.D. x 1-5/8" O.D.
- K (1) Cotter Pin
- L (2) Hex Flange Bearings
- M (1) Hex Nut 5/16-24 Thread
- N (1) Flat Washer 5/16" I.D. x 5/8" O.D.
- O (1) Pinion Gear

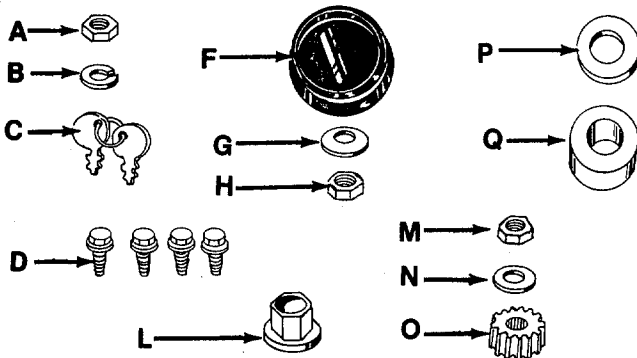


FIGURE 2B.—Hardware for Style B

Contents of Hardware Pack for Style B:  
(See Figure 2B)

- A (1) Hex Nut 1/2-13 Thread
- B (1) Lock Washer 1/2" I.D.
- C (2) Ignition Keys (May be on Rider)
- D (4) Hex Self-Tapping Screws
- F (1) Steering Wheel Cap
- G (1) Cupped Washer 5/16" I.D.
- H (1) Hex Nut 5/16-18 Thread
- L (1) Hex Flange Bearing
- M (1) Hex Nut 5/16-24 Thread
- N (1) Flat Washer 5/16" I.D. x 5/8" O.D.
- O (1) Pinion Gear
- P (1) Flat Washer 5/8" I.D. x 1 1/2" O.D.
- Q (1) Plastic Spacer

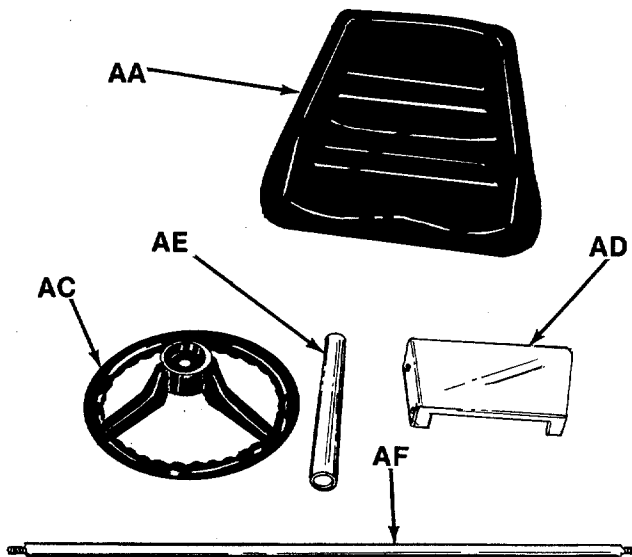
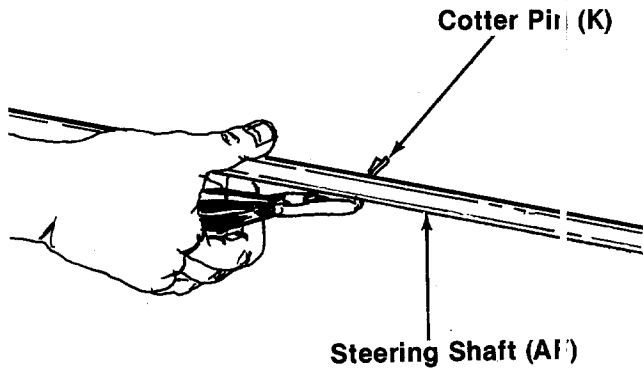


FIGURE 3.

Loose Parts in Carton: (See Figure 3)

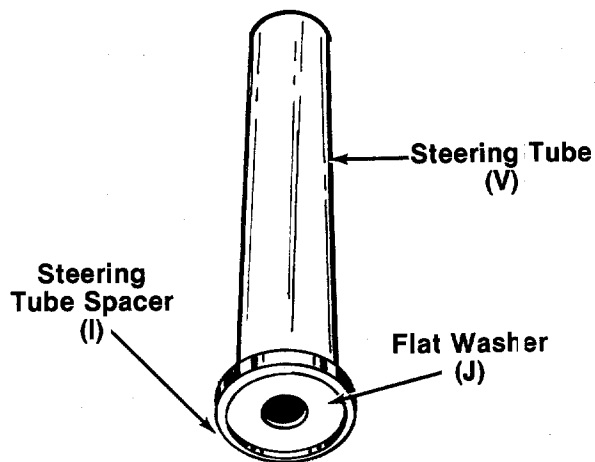
- AA (1) Seat
- AC (1) Steering Wheel
- AD (1) Steering Gear Cover
- AE (1) Steering Tube—Chrome (Style A)
- AF (1) Steering Shaft (Style A)
- AG (1) Steering Shaft Assembly (Style B)—Not Shown



#### INSTALLATION OF STEERING MECHANISM

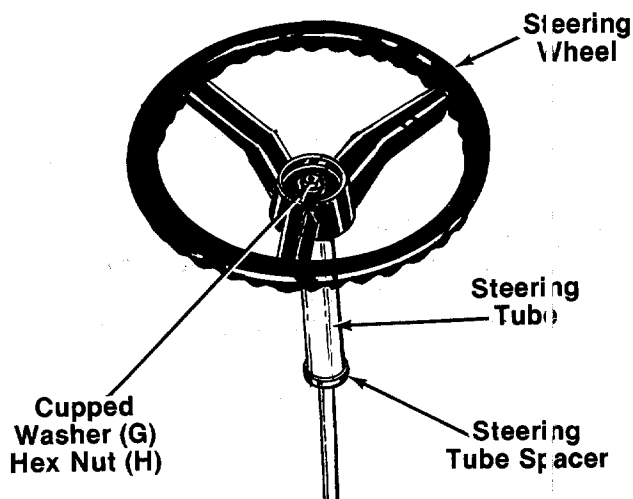
1. **Style A only**—Insert the **cotter pin (K)** into the hole on **steering shaft (AF)**. Secure in place by bending the ends of the cotter pin in opposite directions. See figure 4.

FIGURE 4.—Style A Only



2. **Style A only**—Press the large **flat washer (J)** (1-5/8" diameter) into the open side of the black plastic **steering tube spacer (I)**. See figure 5.
3. **Style A only**—Press the **steering tube spacer** into one end of the chrome-plated **steering tube (AE)**. See figure 5. Make certain spacer is seated securely into tube.

FIGURE 5.—Style A Only



4. **Style A only**—With the **steering shaft** in the normal upright position (end with flattened portions up), slide the **steering tube spacer** and **steering tube** down over the shaft. See figure 6.
5. Place **steering wheel (AC)** over the end of the **steering shaft**, lining up the flattened portions of the steering shaft with the flattened portions of the steering wheel. Make certain steering wheel is seated over the end of the steering tube.
6. Place **cupped washer (G)** over the **steering shaft**, with the cupped side of the washer against the steering wheel. Secure with **hex nut (H)** (5/16" I.D.). See figure 6. Tighten securely.

FIGURE 6.—Style A Shown

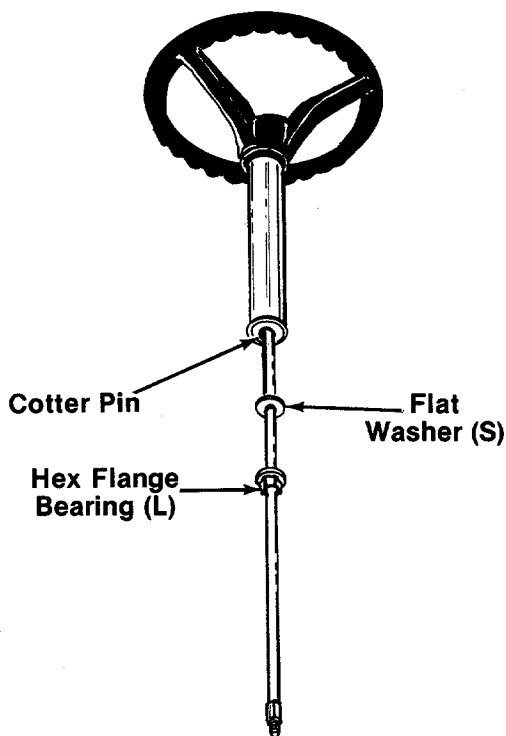


FIGURE 7.—Style A Only

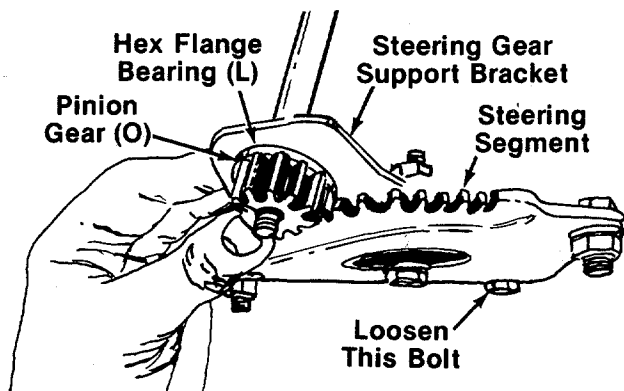


FIGURE 8.

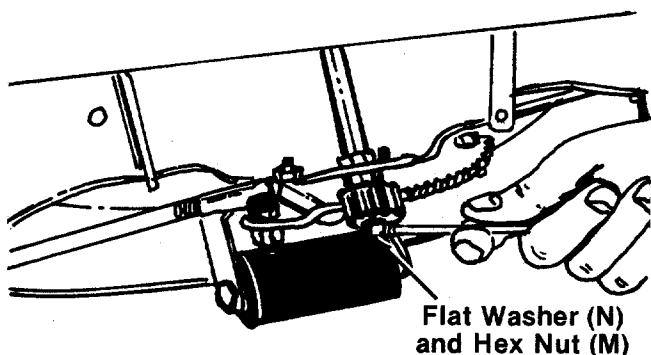


FIGURE 9.

7. **Style A only**—Slip flat washer (E) ( $1\frac{1}{4}$ " diameter) on the **steering shaft** immediately below the cotter pin. Place one plastic **hex flange bearing (L)**, flat side up, below the washer. See figure 7.

8. **Style A**—Insert the **steering shaft** with assembled parts through the **steering housing cover**. The lower end of the shaft should extend through the hole in the front end of the **steering gear support bracket** (Ref. No. 12 on page 26). See figure 8.

**Style B**—Insert the **steering shaft** through the **steering housing cover**. Place flat washer (P) and plastic spacer (Q) over end of **steering shaft** before inserting the shaft through the hole in the front end of the **steering gear support bracket** (Ref. No. 12 on page 26).

9. Loosen the **hex nut** located at the **rear of the steering gear segment** (Ref. No. 27 on page 26) so that the steering gear segment can be pushed about  $\frac{1}{4}$ " toward the rear of the rider, to permit easier assembly of the **pinion gear**. Two  $\frac{9}{16}$ " wrenches are required.

10. Place **hex flange bearing (L)**, flat side down, over the end of the **steering shaft**, and seat it into the **steering gear support bracket**. See figure 8.

11. Position **pinion gear (O)** over splined collar on **steering shaft**. Then place **flat washer (N)** ( $\frac{5}{8}$ " diameter) on shaft and secure with **hex nut (M)** ( $\frac{5}{16}$ " I.D.). Do not tighten at this time.

12. Push the **steering gear segment** (loosened in step 9) forward toward its original position, until it **engages solidly into the teeth of the pinion gear**. Retighten the nut at the rear of the steering gear segment. Two  $\frac{9}{16}$ " wrenches are required.

13. Now tighten the hex nut (M) which secures the pinion gear. See figure 9.

14. Lubricate the teeth of the pinion gear and steering gear segment with an automotive chassis grease.

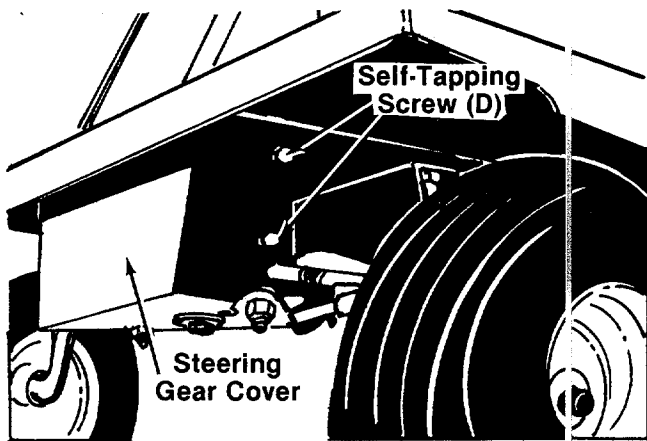


FIGURE 10.

15. Install the **steering gear cover (AD)** as shown in figure 10, to cover the underside of the steering mechanism. Secure with two **self-tapping screws (D)** on each side of the cover. Do not completely tighten any of these screws until all four of them are positioned correctly.
16. Press **steering wheel cap (F)** in place in the center of the **steering wheel**.

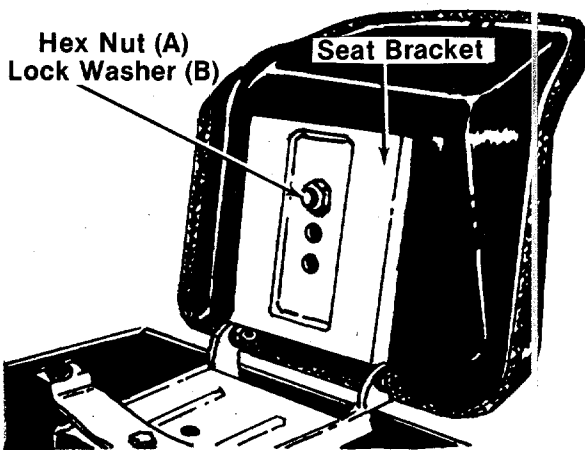


FIGURE 11.

### SEAT

The seat may be adjusted to three different positions. Select the desired seat position and secure the **seat** to the **seat bracket** with **hex nut (A)** and **lock washer (B)**. See figure 11.

### TIRE PRESSURE

For shipping purposes, the tires on your unit may be over-inflated. Tire pressure should be reduced before unit is put into operation. Recommended operating tire pressure should be 10 p.s.i.

Check sidewall of tire for manufacturer's maximum tire pressure. If this information does not appear on your tire, maximum tire pressure under any circumstances is 30 p.s.i. Equal tire pressure should be maintained on all tires.

## CONTROLS

This manual should be read in its entirety before operating the riding mower. While reading the manual, compare the illustrations with your mower to familiarize yourself with the locations of various controls, lubrication points and adjustment features.

Study the operating instructions and safety precautions thoroughly to insure proper functioning of your mower and to prevent injury to yourself and others. Be sure to save this manual for future reference.

### THROTTLE CONTROL

The throttle control is used to regulate the engine speed and choke the engine. The engine should

be operated from 3/4 to full throttle when operating the cutting deck. See figure 12.

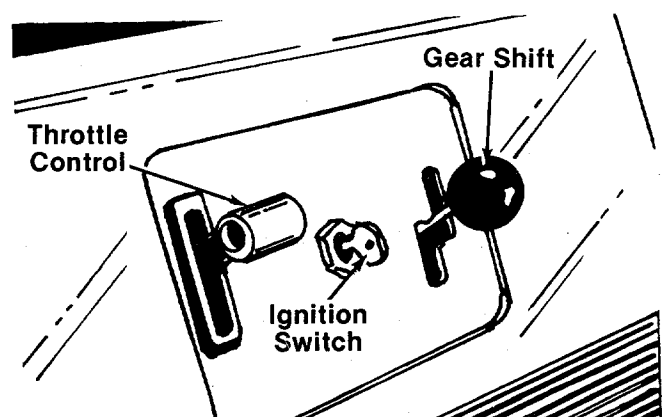


FIGURE 12.



### IGNITION KEY

The key must be turned to the "ON" position before pulling the recoil handle to start the engine. Turn the key to the left to the "OFF" position to stop the engine. Remove the key when the unit is not in use.

### SHIFT LEVER

The shift lever is located on the left hand side of the console and has three positions, "FORWARD," "NEUTRAL" and "REVERSE." See figure 12. The clutch-brake pedal must be depressed and the riding mower must not be moving when shifting gears. Do not force the shift lever. Release the clutch-brake pedal slightly to line up the shifting collar in the transmission. Then try to shift gears.

### CLUTCH-BRAKE PEDAL

The clutch-brake pedal is located on the right side of the rider. Depressing the clutch-brake pedal part way disengages the clutch. Pressing the pedal all the way down disengages the clutch and engages the disc brake. See figure 13.



The clutch-brake pedal must be depressed to start the engine.

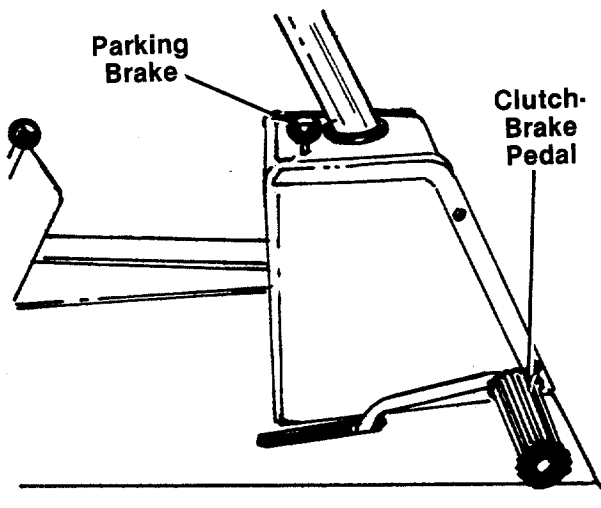


FIGURE 13.—Style A Shown

### PARKING BRAKE

To set the parking brake, depress the clutch-brake pedal and press the parking brake knob down. To release the parking brake, depress and release the clutch-brake pedal. See figure 13.

### BLADE ENGAGEMENT LEVER

The blade engagement lever is located on the right hand side of the deck. Figure 14 shows the blade engagement lever in the disengaged position.

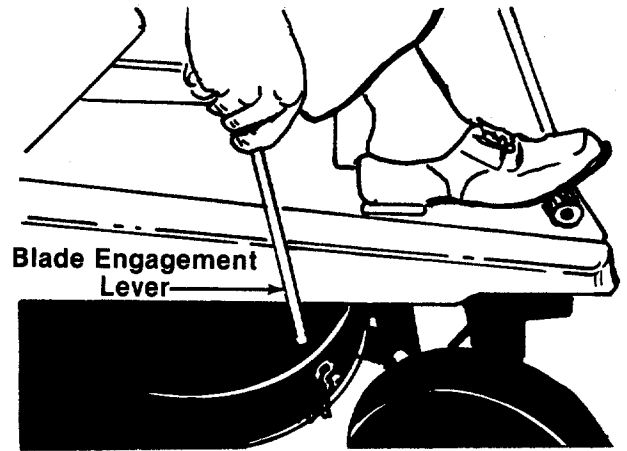


FIGURE 14.

To engage the blade, move the blade engagement lever toward the front of the unit. Move the lever toward the rear to disengage the blade.

### DECK CUTTING HEIGHT LEVER

The deck cutting height lever is used to raise and lower the cutting deck, which sets the cutting height.

Move the lever outward, select desired cutting height and release lever. The lever may be set in any one of the six cutting height positions. See figure 15.



The blade does not shut off when the deck is raised. You must place the Blade Engagement Lever in the disengaged (OFF) position.

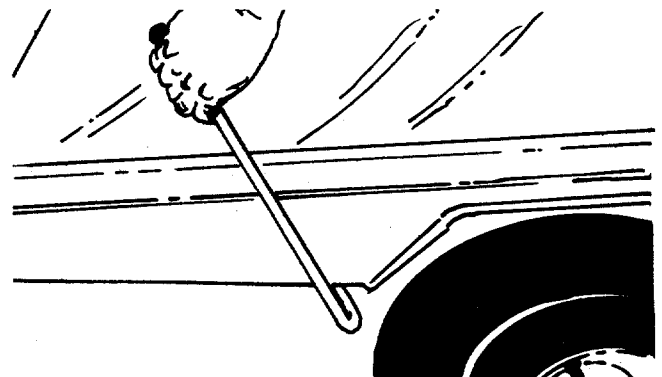


FIGURE 15.

## SAFETY INTERLOCK SYSTEM

Interlock safety switches are located on the clutch-brake pedal, the blade engagement lever and shift lever.

Before the engine will start, the clutch pedal must be depressed all the way and the blade engagement lever must be in the disengaged position.

Before the unit can be shifted into reverse, the blade engagement lever must be in the disengaged position.

## RECOIL STARTER HANDLE

The recoil starter handle is located on the left rear side of rider. The recoil starter handle can be pulled while standing by the left rear side of unit. The ignition key must be on before the engine will start. After the engine starts, the recoil starter handle must be returned and locked into the rope handle bracket before the blade or clutch is engaged. The engine will stop if these instructions are not followed. See figures 16 and 17.

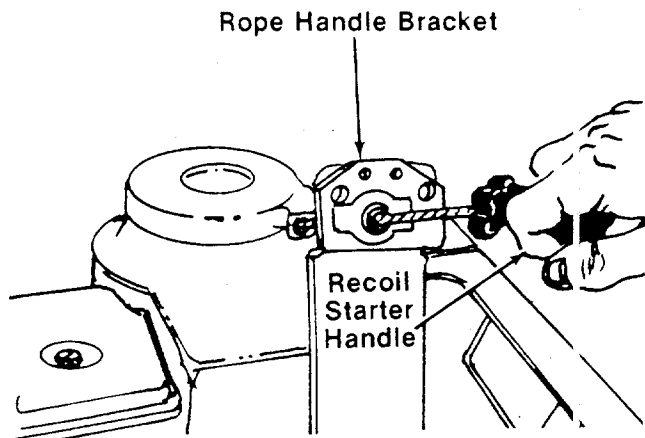


FIGURE 16.

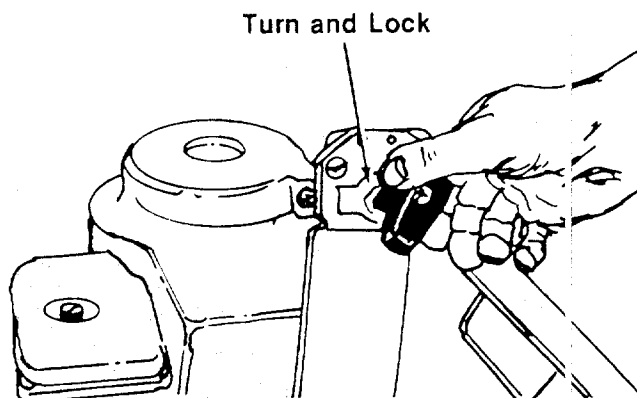


FIGURE 17.

## OPERATION



### CAUTION

1. Keep all shields in place.
2. Before leaving operator's position:
  - a. Shift transmission to neutral
  - b. Set parking brake
  - c. Disengage attachment clutch
  - d. Shut off engine
  - e. Remove ignition key
3. Wait for all movement to stop before servicing machine.
4. Keep people and pets a safe distance away from machine.
5. Look to the rear before backing up.

## CAUTION

**DO NOT OPERATE  
MOWER UNLESS  
GUARD OR ENTIRE  
GRASS CATCHER IS  
IN ITS PROPER PLACE.**



### NOTE

This unit is equipped with a safety interlock system for your protection. The purpose of the safety interlock system is to prevent the engine from cranking or starting unless the clutch-brake pedal is depressed and the blade engagement lever is in the disengaged position. In addition, the blade engagement lever must be in the disengaged position when the unit is put into reverse or the engine will shut off.



### WARNING

Do not operate the rider if the interlock system is malfunctioning because it is a safety device, designed for protection.

## STARTING THE ENGINE



### CAUTION

Get on and off the unit from the left hand side to avoid possible contact with the blade engagement lever (located on the right hand side).

1. Be sure the crankcase is filled with oil as recommended in the engine manual. Fill fuel tank with **regular** gasoline.
2. Attach the wire to the spark plug.
3. Depress the clutch-brake pedal and lock it down.
4. Move the blade engagement lever back to the disengaged position.
5. Set the throttle control lever in the "CHOKE" position.
6. Turn the ignition key to the "ON" position. Twist the recoil starter handle until it is free and pull it with a quick steady motion. After the engine starts, return the recoil starter handle and twist it until it locks. See figure 16.
7. Slowly return the throttle to the running position as soon as the engine starts.
8. To stop, turn the ignition key to the "OFF" position. Remove the key when the rider is not in use.

## PUTTING THE RIDING MOWER IN MOTION



### NOTE

Parking brake **must** be disengaged before unit is put into motion.

1. Advance the throttle control from 3/4 to full throttle to prevent strain on the engine and to operate the cutting blades.
2. Place the shift lever in either the "FORWARD" or "REVERSE" position.



### CAUTION

Look to the rear before backing up.

3. Slowly release the clutch-brake pedal.
4. To stop, depress the clutch-brake pedal.
5. The blades can be engaged either while moving or while standing still. Move the blade engagement lever forward slowly until the blades are turning.



### WARNING

When the blades are engaged, keep feet and hands away from the discharge opening, the blades or any part of the deck.

## STOPPING

**Engine**—Turn the ignition key to the left to the "OFF" position.

**Rider**—Depress the clutch-brake pedal.

**Blades**—Pull the blade engagement lever all the way back.



### CAUTION

If the unit is not to be used for a long period, place the shift lever in **NEUTRAL**, stop the engine, set the parking brake and remove the key. **DO NOT** leave the machine on an incline.



### NOTE

A brief break-in period is essential to ensure maximum engine and mower life. The break-in consists of running the engine at half speed for a period of time required to use one tank of gasoline. It is also recommended to change crankcase oil after the first 5 hours of operation.

Be sure that the lawn is clear of stones, sticks, wire, or other objects which could damage lawn mower or engine. For best results and to insure more even grass distribution, do not mow when lawn is excessively wet.



### IMPORTANT

If you strike a foreign object, stop the engine. Remove wire from spark plug, thoroughly inspect the mower for any damage, and repair the damage before restarting and operating the mower.

GRASS CATCHER Model 015 is available as optional equipment for the mower shown in this manual.



## WARNING

The mower should not be operated without the entire grass catcher or chute deflector in place.



## NOTE

Under normal usage bag material is subject to wear, and should be checked periodically. Be sure any replacement bag complies with the mower manufacturer's recommendations.

For replacement bags, use only factory authorized replacement bag No. 764-0121.

## ADJUSTMENTS



## CAUTION

Do not at any time make any adjustment to lawn mower without first stopping engine and disconnecting spark plug wire.

### THROTTLE CONTROL

To Check Operation:

1. Remove air cleaner.
2. Move throttle control lever to "CHOKE" position. The carburetor choke should be closed.
3. Move throttle control lever to "STOP" position. Lever should make good contact with stop switch.

If adjustment is needed, refer to the separate engine manual packed with your unit.

### BRAKE ADJUSTMENT (See Figure 18)

The brake is located by the left rear wheel inside the frame. To adjust the brake, remove the cotter pin. Adjust the castle nut so the brake starts to engage when the brake lever is  $\frac{1}{4}$ " to  $\frac{5}{16}$ " away from the axle housing.



## NOTE

Figure 25 is shown with the unit tipped up on rear wheels for clarity only.

During normal operation of this machine, the brake is subject to wear and will require periodic examination and adjustment.

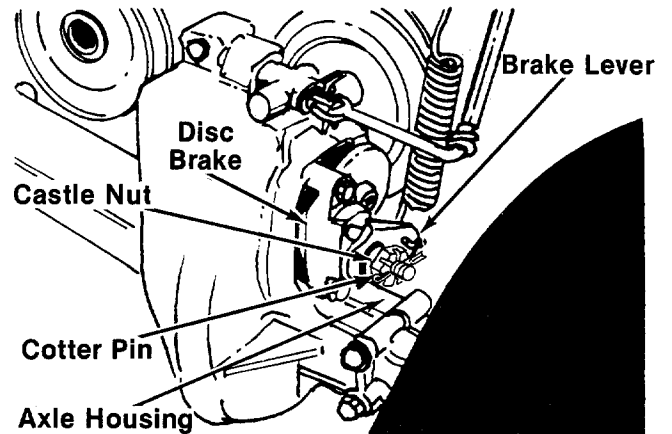


FIGURE 18.

### WHEEL ALIGNMENT

The caster (forward slant of the king pin) and the camber (tilt of the wheels out at the top) require no adjustment. Automotive steering principles have been used to determine the caster and camber on the mower. The front wheels should toe-in  $\frac{1}{8}$  inch. See figure 19. To adjust, follow these steps:

1. Remove the cotter pin and flat washer which hold the tie rod to the axle bracket. See figure 19.
2. Adjust the tie rod in or out until the wheels toe-in approximately  $\frac{1}{8}$ ".
3. Replace the tie rod into the wheel bracket, and replace the cotter pin and flat washer.

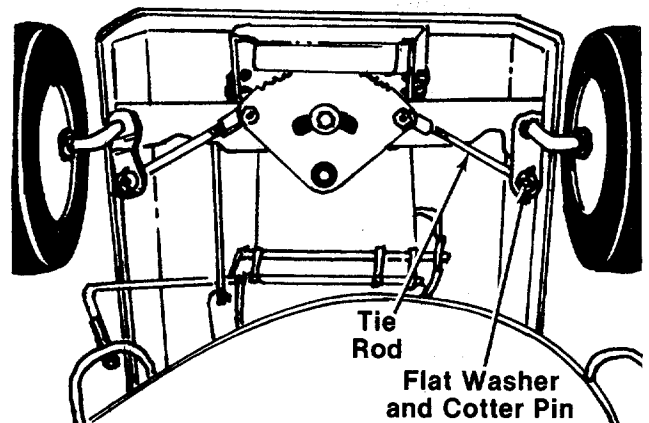


FIGURE 19.

### DECK ADJUSTMENT ROD

If an uneven cut is obtained, the deck may be adjusted. A deck adjustment rod is located on the right side of the unit. See figure 20.

To adjust the deck, loosen the two hex nuts at the left rear deck link assembly. Thread the hex nuts up or down the deck adjustment rod as necessary. Retighten the hex nuts.

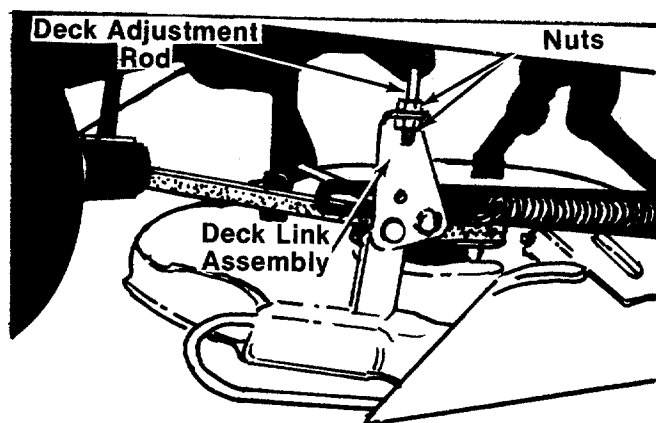


FIGURE 20.

### CARBURETOR ADJUSTMENT



If any adjustments are made to the engine while the engine is running (e.g. carburetor), disengage all clutches and blades. Keep clear of all moving parts. Be careful of heated surfaces and muffler.

Minor carburetor adjustment may be required to compensate for differences in fuel, temperature, altitude and load.

To adjust the carburetor, refer to the separate engine manual packed with your unit.

## LUBRICATION



Always stop engine and disconnect spark plug wire before cleaning, lubricating or doing any kind of work on riding mower.

1. **Engine.** Maintain the engine oil according to the engine manual.
2. **Front Wheels.** The front wheels are provided with grease fittings. Lubricate at least once a season with automotive multi-purpose grease.

3. **Linkage.** Oil all deck linkage and height adjustment linkage.
4. **Transaxle.** It is lubricated at the factory and does not require checking. Lubricate with 10 oz. of grease (Part No. 737-0148) if disassembled.

## MAINTENANCE



Disconnect spark plug wire and ground it against the engine before performing any repairs or maintenance.

### CUTTING BLADE

#### A. Removal for Sharpening or Replacement



Be sure to disconnect and ground the spark plug wire before working on the cutting blade to prevent accidental engine starting.

1. Remove the large bolt and lock washer which holds the blade and adapter to the blade spindle. See figure 21.
2. Remove the blade and adapter from the spindle.
3. If the blade or blade adapter needs replacing, remove the two small bolts, lock washers and nuts which hold the blade to the adapter. See figure 21.

#### B. Sharpening

Remove the cutting blade by following the directions of the preceding section.

When sharpening the blade, follow the original angle of grind as a guide. It is **extremely important** that each cutting edge receives an equal amount of grinding to prevent an unbalanced blade. An unbalanced blade will cause excessive vibration when rotating at high speeds, may cause damage to the mower and could break, causing personal injury.

The blade can be tested for balance by balancing it on a round shaft screwdriver. Remove metal from the heavy side until it balances evenly.



#### NOTE

It is recommended that the blade always be removed from the adapter for the best test of balance.

#### C. Reassembly

Before reassembling the blade and the blade adapter to the unit, lubricate the spindle and the inner surface of the blade adapter with light oil. Lubricating the bolt holes, bolts and inner surface of the nuts with light oil is also recommended. A 4 oz. plastic bottle of light oil lubricant is available. Order part number 737-0170. Engine oil may also be used.

When replacing the blade, be sure to install the blade with the side of the blade marked "Bottom" (or with part number) facing the ground when the mower is in the operating position.

#### Blade Mounting Torque

3/8" Dia. Bolt 375 in. lb. min., 450 in. lb. max.  
5/16" Dia. Bolt 150 in. lb. min., 250 in. lb. max.



#### NOTE

To insure safe operation, ALL nuts and bolts must be checked periodically for correct tightness.

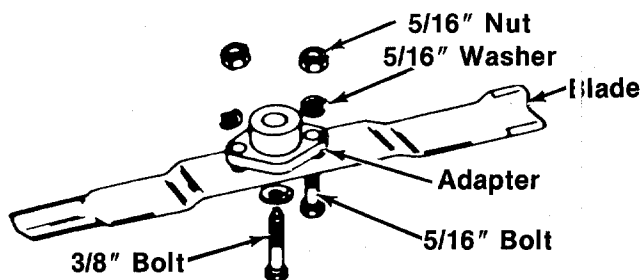


FIGURE 21.

#### CLEANING ENGINE AND BLADE HOUSING

Any fuel or oil spilled on the machine should be wiped off promptly. Grass, leaves, and other dirt must not be left to accumulate around the cooling fins of the engine or on any part of the machine.

Clean the underside of the blade housing after each mowing.

#### BELTS

Check that belts are free of oil or dirt. Wipe the belts periodically with a clean rag.

#### ENGINE OIL

Check oil level before starting engine and after every 5 hours of operation or each period of use. Refer to separate engine manual.

Change oil after first 5 hours of operation. Thereafter change every 25 hours. Change oil while engine is warm.

#### AIR CLEANER

Service air cleaner every 25 hours under normal conditions. Clean every few hours under extremely dusty conditions. Poor engine performance and flooding usually indicates that the air cleaner should be serviced. Refer to separate engine manual.

#### SPARK PLUG

The spark plug should be cleaned and the gap reset once a season. Spark plug replacement is recommended at the start of each mowing season; check engine manual for correct plug type and gap specification.

#### INSTALLATION OF TIRE TO RIM



The following procedure must be followed when removing or installing a tire to the rim.

1. Be sure rim is clean and rust free.
2. Lubricate both the tire and rim generously.
3. Never inflate to over 30 p.s.i. to seat beads. Excessive inflation pressure when seating beads may cause tire/rim assembly to burst with force sufficient to cause serious injury.

#### BELT REMOVAL AND REPLACEMENT



#### NOTE

It is recommended that the entire instructions on belt removal and replacement be read before changing the belts.

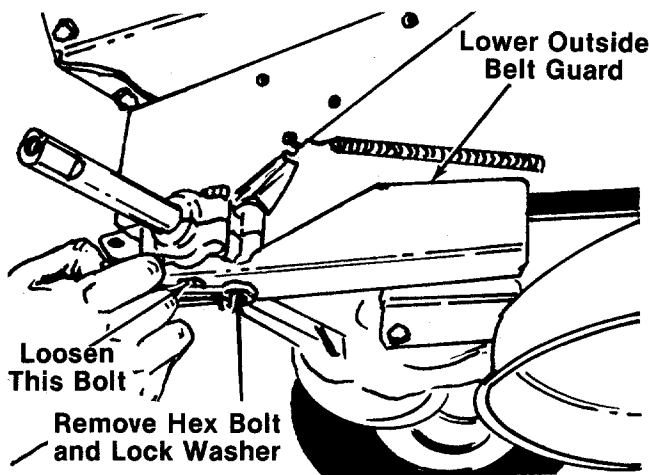
#### Deck Belt

1. To prevent gasoline from leaking from the engine, remove the fuel tank cap, place a piece of thin plastic over the neck of the fuel tank and screw on the cap.
2. Disconnect the spark plug wire and ground it against the engine.

**NOTE**

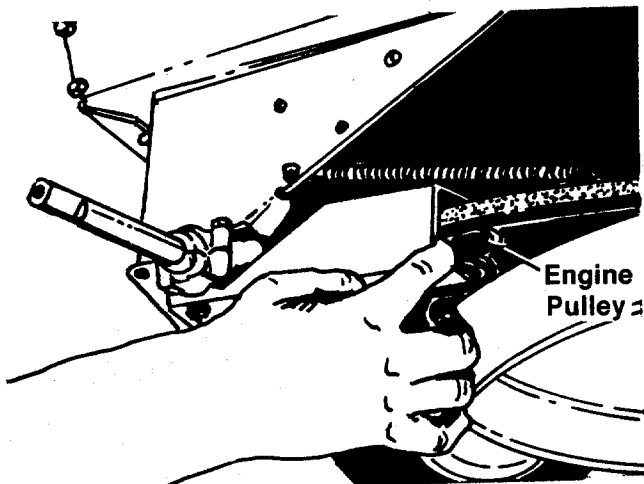
Rear wheel was removed for clarity only. It is not necessary to remove the wheel when changing belts.

3. Move the blade engagement lever to the disengaged position.
4. Remove one hex bolt and lock washer at the front of lower outside belt guard. A 7/16" wrench is required. See figure 22.
5. Loosen (Do Not remove) the second bolt. See figure 22.



**FIGURE 22.**

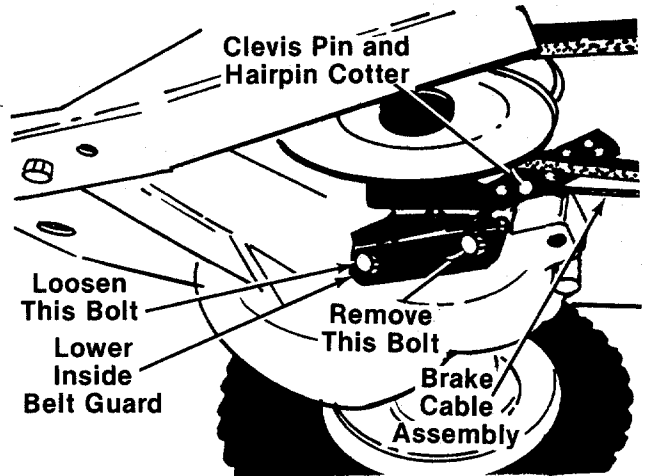
6. Pivot the lower outside engine belt guard out and away from the engine pulley. See figure 23.



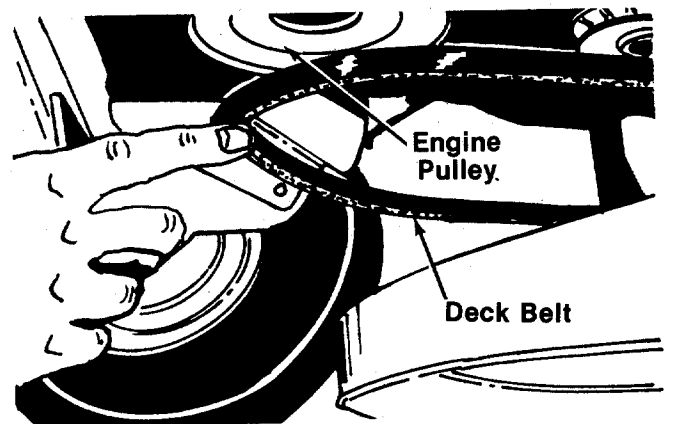
**FIGURE 23.**

7. Disconnect the brake cable from the lower inside belt guard by removing the hairpin cotter, clevis pin and flat washer. See figure 24.
8. Remove the front hex bolt from the lower inside belt guard as shown in figure 24.

9. Loosen the second bolt (do not remove), then pivot the guard downward, and slip the deck belt off the engine pulley. See figures 24 and 25.

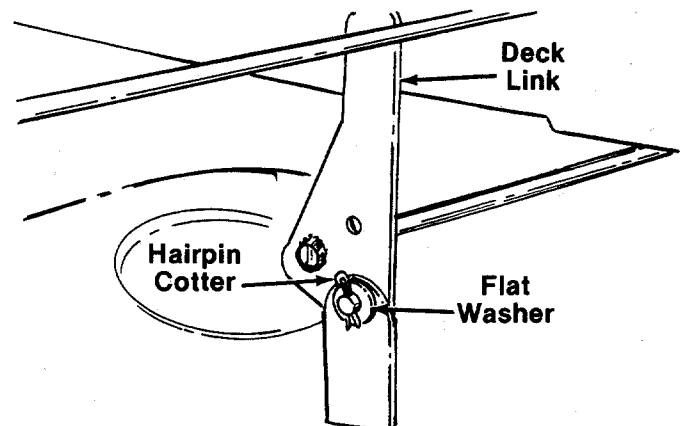


**FIGURE 24.**



**FIGURE 25.**

10. Remove the three hairpin cotters and flat washers which hold the deck links to the rider. Two are located at the rear of the deck. See figure 26. One is located at the front of the deck.



**FIGURE 26.**

11. Remove the two belt keepers on the deck. See figure 27.
12. Remove and replace the deck drive belt.

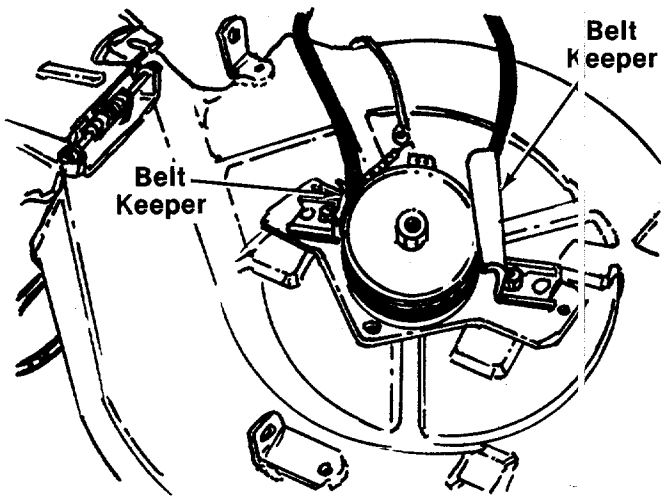


FIGURE 27.

**DRIVE BELT**

1. Remove the deck as outlined in steps 1 through 10 in previous section.
2. Remove the hex bolt, nut and lock washer at the torque rod bracket and transaxle. See figure 28.

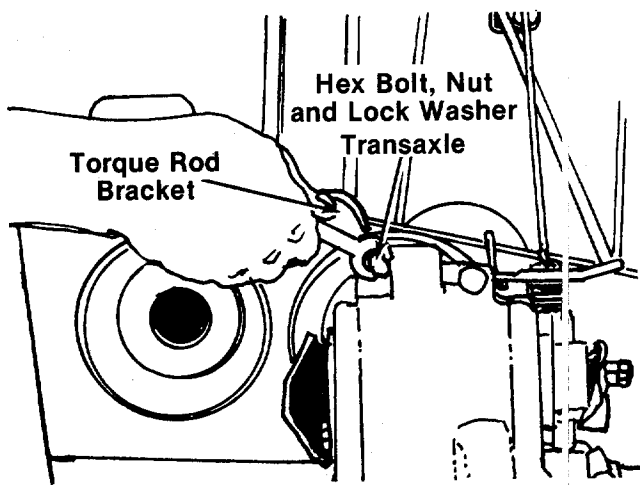


FIGURE 28.

3. Remove the hex bolt which holds the torque rod bracket to the torque rod, and remove bracket. See figure 29.

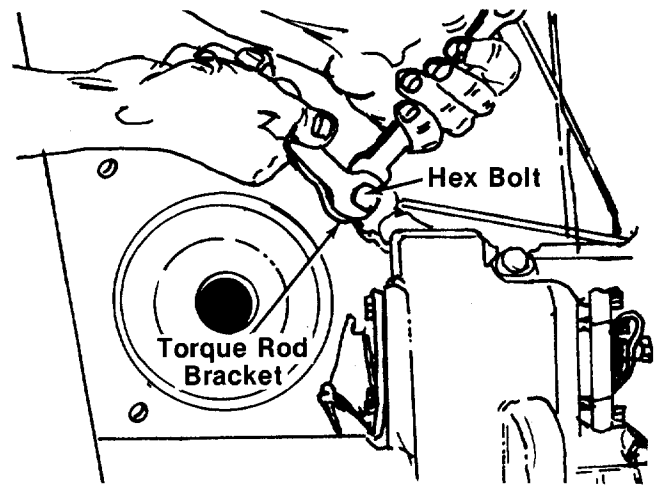


FIGURE 29.

4. Remove the belt trap (located on the left hand side of the transaxle pulley) by removing two hex nuts and lock washers. See figure 30.

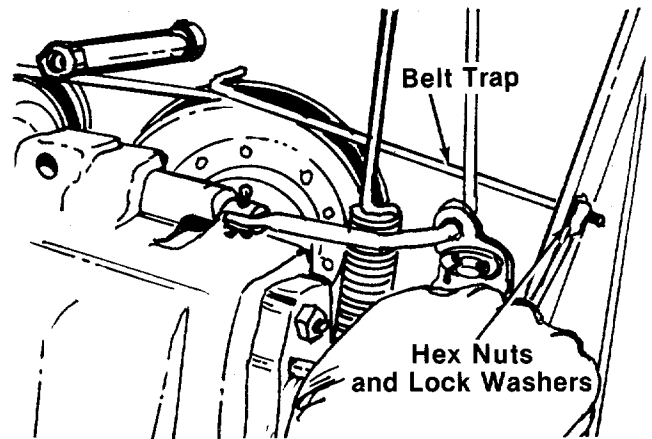


FIGURE 30.

5. Remove the idler pulley by removing the hex lock nut. See figure 31.

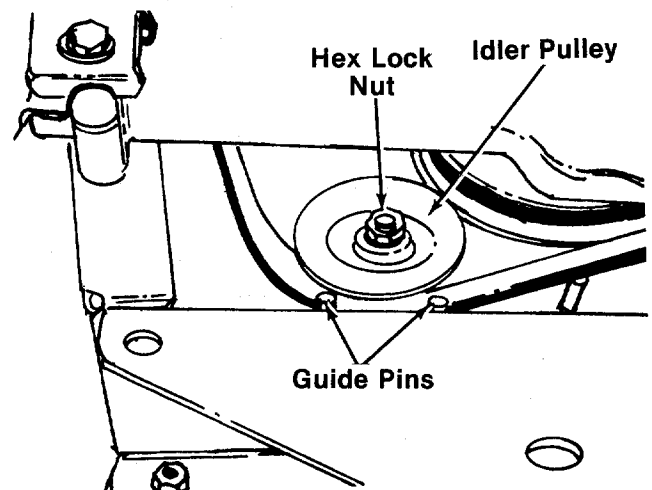
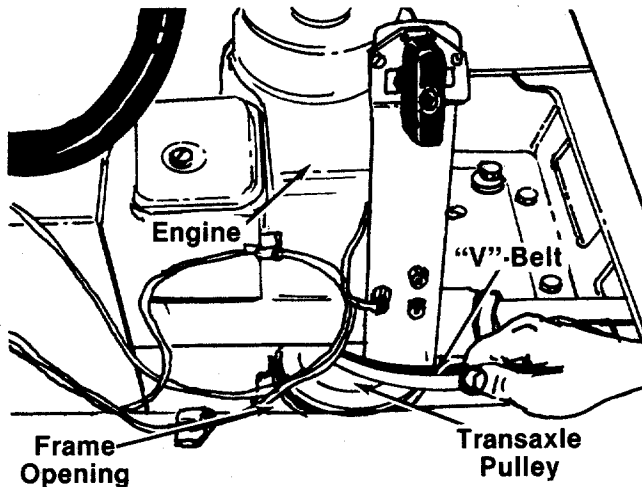


FIGURE 31.



6. Slip the idler pulley and drive belt off the idler bracket.
7. Slip the drive belt off the engine pulley and around the torque rod. Work it over the top of the transaxle pulley.
8. Pull the drive belt out through the opening in the frame below the engine pulley and above the transaxle pulley. See figure 32.



**FIGURE 32.**

9. Upon reassembly of idler pulley, be certain the hub side of idler goes against the idler bracket.
10. When sliding the idler pulley on the idler bracket, be certain the belt is between the pulley and guide pins. See figure 31.

11. Reverse the above steps (paying close attention to steps 9 and 10) when reassembling the new belts.



Be certain all belts are inside belt guards and keepers.

## OFF-SEASON STORAGE

If the machine is to be inoperative for a period longer than 30 days, prepare for storage as follows.

1. Clean the engine and the entire unit thoroughly.
2. Lubricate all lubrication points. Wipe the entire machine with an oiled rag to protect the surfaces.
3. Refer to the engine manual for correct engine storage instructions. The engine must be completely drained of fuel to prevent gum deposits from forming on essential carburetor parts, fuel lines and fuel tanks.
4. Store unit in a clean, dry area.



When storing any type of power equipment in an unventilated or metal storage shed, care should be taken to rustproof the equipment. Using a light oil or silicone, coat the equipment, especially any chains, springs, bearings and cables.

## BELT TROUBLE SHOOTING CHART

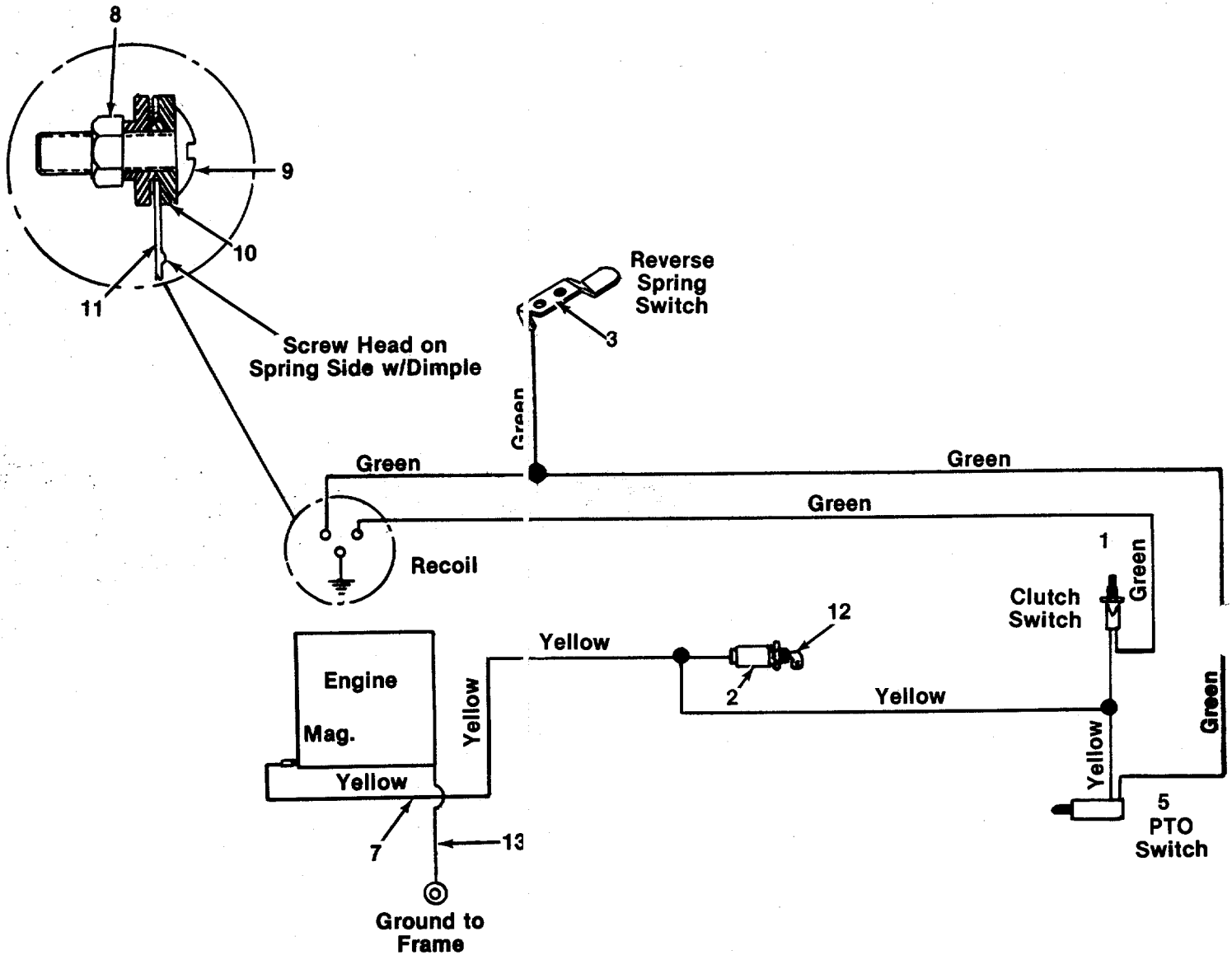
Failure	Probable Cause	Corrective Action
1 Broken Belt	1A Sudden stop or shock load to belt  1B Incorrect belt used  1C Abrupt engagement 1D Defective or damaged belt	1A Inspect rider for cause such as foreign objects stuck in between deck and frame or belt path. Remove obstruction and inspect for damage. Replace belt per parts list in this manual.  1B Replace with proper belt only. See parts list in this manual. Roll belt onto pulley. <b>Do not</b> use a screwdriver to push or pry belt onto pulley. The sharp bend can damage internal cords.  1C Slower engagement required. 1D Refer to 1B.
2 Belt Shreds	2A Belt guides or guards incorrectly adjusted  2B Pulleys not aligned  2C Bad pulley—rough, rusty, chipped, bent, frozen bearing, etc.	2A Belt guides and guards should be adjusted to approximately 1/16 to 1/8 inch from belt when in the engaged position.  2B Realign pulleys to be within approximately 1/16 inch of each other. Check with straight edge. Be sure fastening hardware is tight.  2C Replace as necessary. Adjust as per 2B.
3 Belt Comes Off	3A Belt stretched 3B Broken or weak idler spring	3A Adjust as necessary when applicable. Refer to 1B. 3B Replace.

# TROUBLE SHOOTING CHART FOR RECOIL START MODELS

CAUTION: ALWAYS DISCONNECT SPARK PLUG BEFORE ATTEMPTING ANY REMEDY.

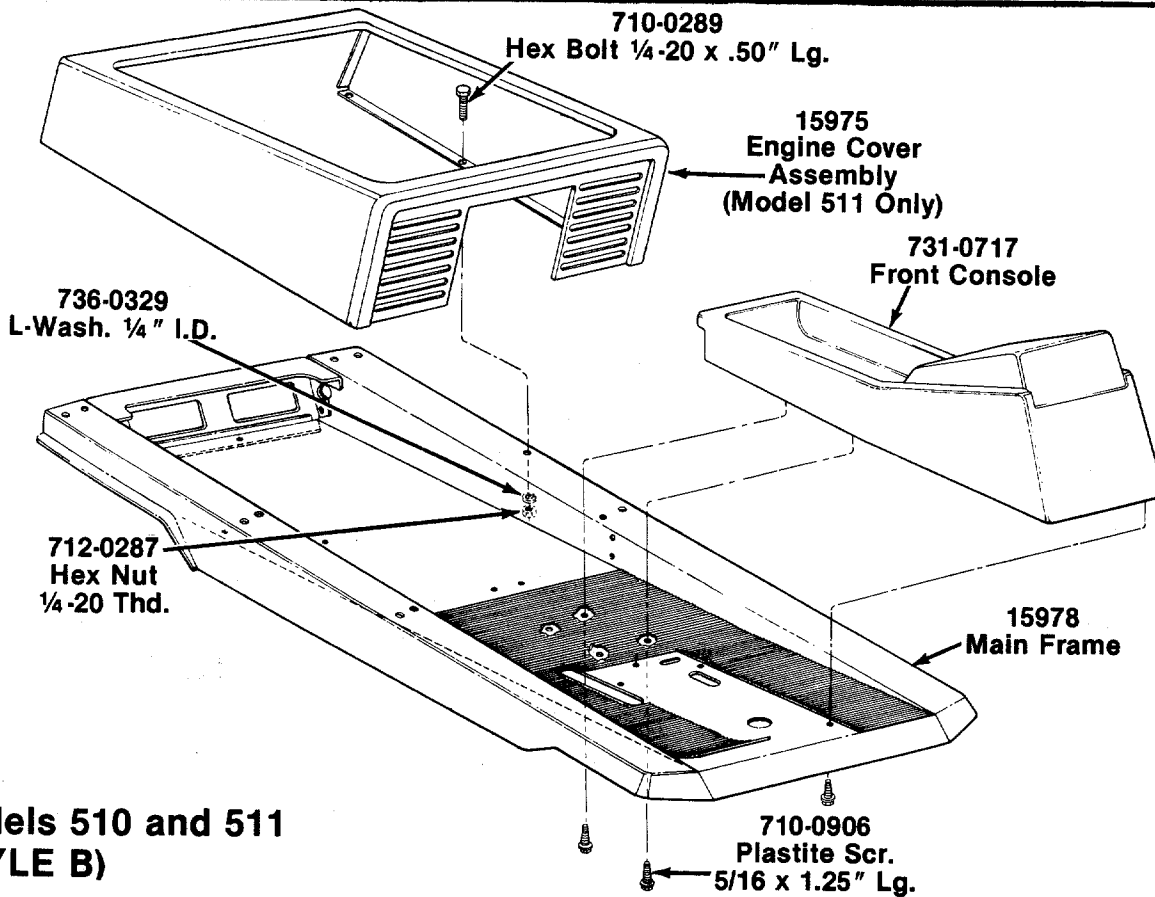
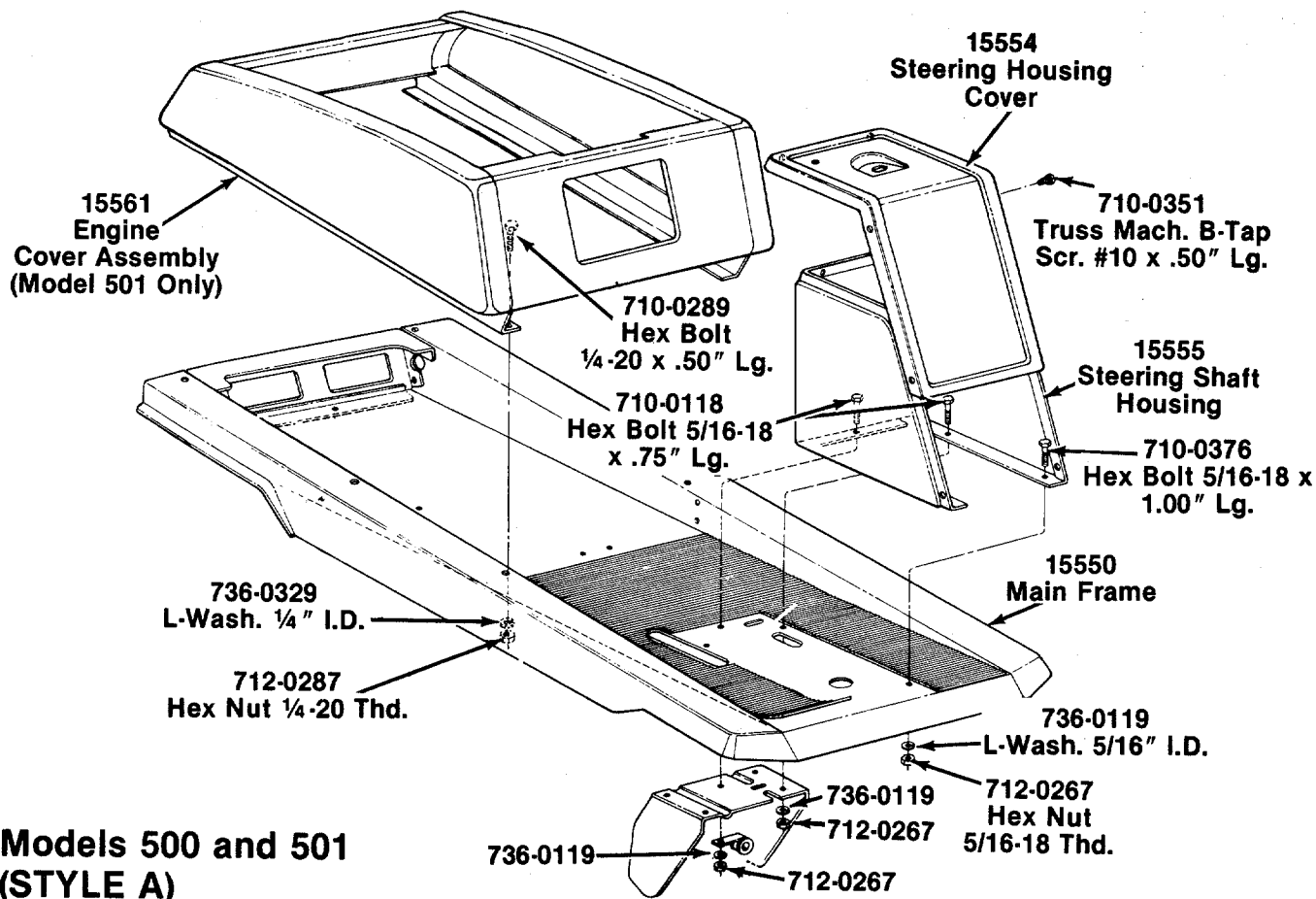
TROUBLE	LOOK FOR	REMEDY
Engine will not start when recoil handle is pulled.	Clutch and blade not disengaged.	Clutch pedal must be depressed and blade must be shut off.
	Ignition key not in the ON position.	Turn on the ignition key.
	Throttle not in the starting position.	Check owner's guide for correct position for throttle control for starting.
	No spark to spark plug.	Spark plug lead disconnected. Connect lead. Hold spark plug lead away from engine block about 1/8". Crank engine. There should be a spark. If not, have the engine repaired at authorized engine service dealer. Faulty spark plug. To test, remove spark plug. Attach spark plug lead to spark plug. Ground spark plug body against the engine block. Crank the engine. The spark plug should fire at the electrode. Replace if it does not.
	No fuel to the carburetor.	Gasoline tank empty. Fill. Fuel valve shut off. Open valve. Valve is located either at the bottom of the fuel tank or on the carburetor. Fuel line is plugged. Remove and clean.
	Air filter dirty.	If the air cleaner is dirty, the engine may not start. Clean or replace as recommended by the engine manufacturer.
	Mechanical failure (wires or switch).	The interlock system includes two mechanical activated switches which are wired in parallel. If the buttons on both switches are not depressed at least 1/8", the magneto will be grounded and the engine will not start. While testing the interlock system, you will make the mower temporarily unsafe by permitting the engine to be started with the blade and clutch engaged. <b>WARNING:</b> While testing, disengage the clutch, shut off the blade control, set the parking brake and place the gear shift lever in neutral. Disconnect the yellow wire where it attaches to the primary wire from the breaker assembly on the engine. Try to start the engine. If the <b>engine does not start</b> , the problem is in the engine (e.g. no fuel or no ignition). If the engine does start, the problem is in the safety system. Check the following: 1. The interlock wire may be grounded by being pinched or rubbing through the insulation. Tape or replace the wire. 2. The bolt on the flat spring behind the recoil starter where the yellow wire attaches must be insulated from the spring. Use a continuity tester. If it is not insulated, remove the bolt and nut, and replace the two fiber washers and reassemble.
Engine stops when the mower blade is engaged or the clutch is released.	Recoil handle is not in proper position.	After the engine starts, the recoil starter handle must be pushed into the dashboard and turned a quarter turn either direction to lock it in place.
Engine smokes. Excessive vibration	Engine loses crankcase vacuum.	Dipstick not seated or broken. Replace defective part. Engine breather defective. Replace.
	Bent or damaged blade spindle	<b>Stop engine immediately.</b> Check all pulleys, blade spindles, blade adapters, keys and bolts for tightness or damage. Tighten or replace any damaged parts.
	Bent blade.	<b>Stop engine immediately.</b> Replace damaged blade. Only use original equipment blades.
Mower will not discharge grass or leaves uncut strips.	Engine speed too low.	Throttle must be set between 3/4 and full throttle.
	Transmission selection.	Use lower transmission gear. The slower your ground speed, the better the quality of cut.
	Blades short or dull.	Sharpen or replace blades (uncut strip problem only).

# Models 500, 501, 510 and 511

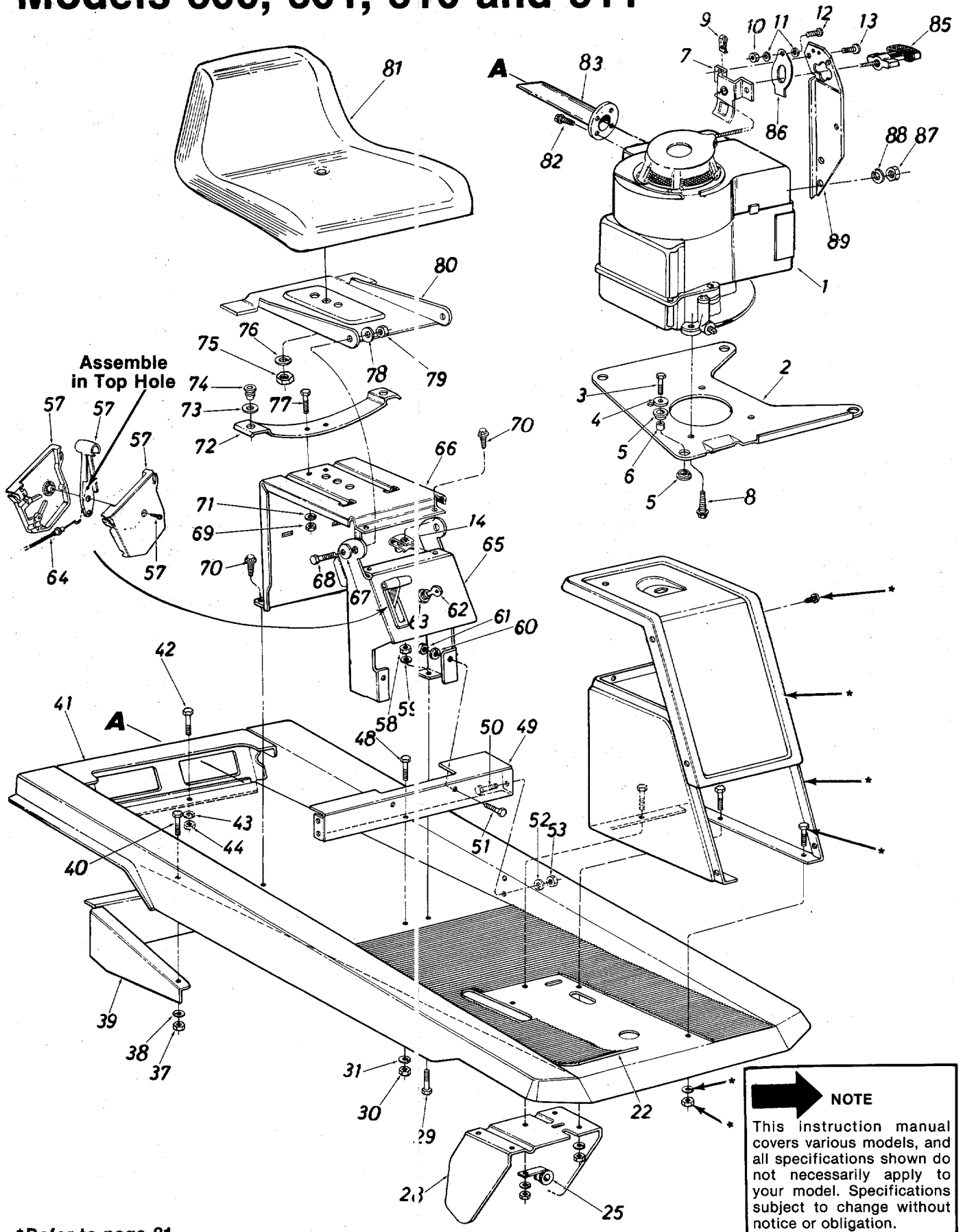


**PARTS LIST FOR ELECTRICAL SYSTEM  
RIDING MOWER MODELS 500, 501, 510 AND 511**

REF. NO.	PART NO.	COLOR CODE	DESCRIPTION	NEW PART
1	725-0269		Safety Switch	
2	725-0464		Key Switch	
3	732-0420		Spring Switch	
4	725-0859		Wire Harness	
5	725-0819		Safety Switch	
7	731-0652		Convuluted Conduit 24" Lg.	
8	712-0121		Hex Nut #10-24	
9	710-0425		Truss Mach. Scr. #10-24 x .62	
10	736-0338		Fiber Washer	
11	732-0257		Spring Switch	
12	725-0201		Ignition Key	
13	725-0882		Ground Wire	



# Models 500, 501, 510 and 511



**NOTE**  
 This instruction manual covers various models, and all specifications shown do not necessarily apply to your model. Specifications subject to change without notice or obligation.

\*Refer to page 21.

# Models 500, 501, 510 and 511

## PARTS LIST FOR MODELS 500, 501, 510 AND 511 RIDING MOWERS

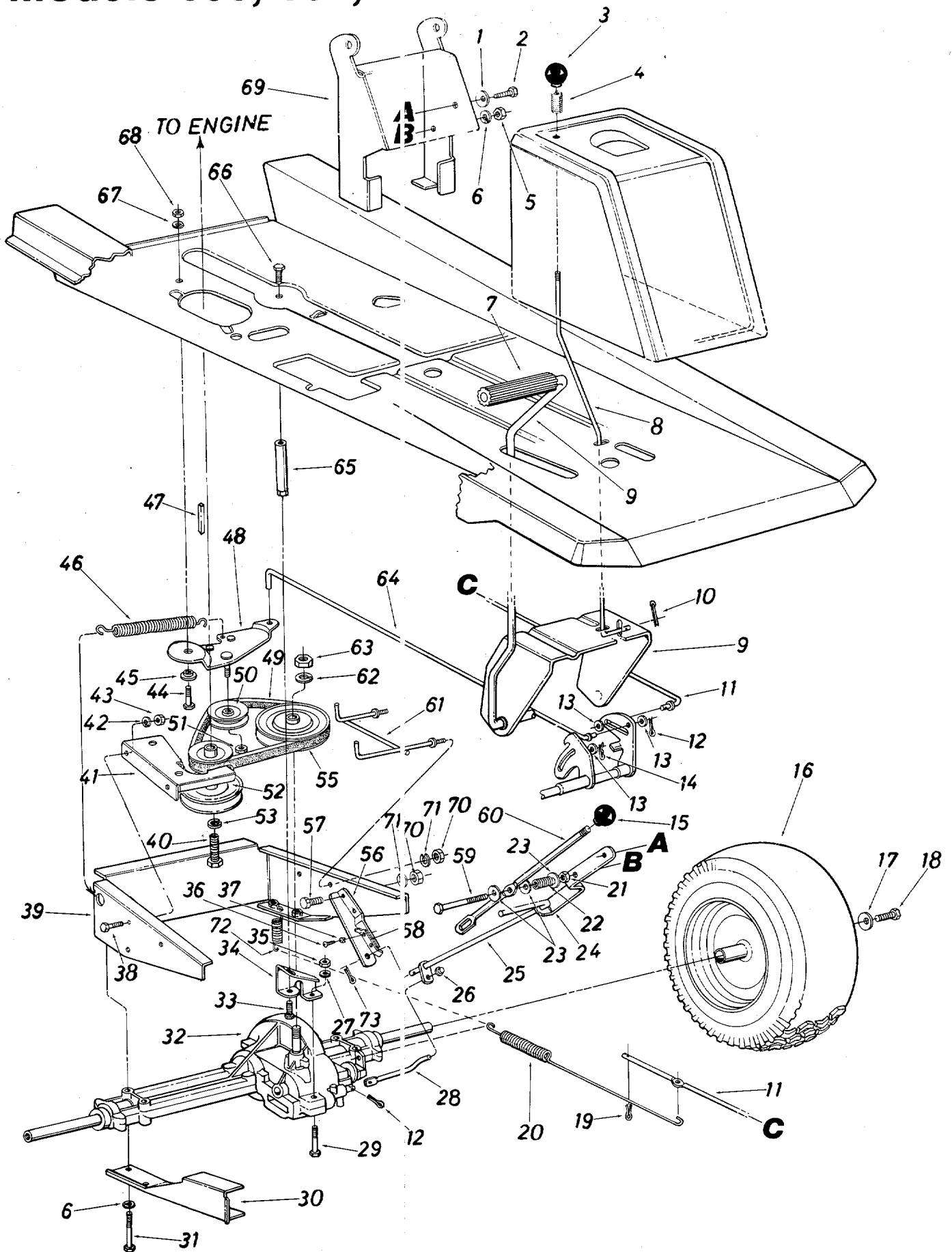
REF. NO.	PART NO.	COLOR CODE	DESCRIPTION	NEW PART	REF. NO.	PART NO.	COLOR CODE	DESCRIPTION	NEW PART
1	—		Engine		57	831-0692		Throttle Control Box Ass'y.	
2	15572		Engine Mounting Plate		58	712-0267		Hex Nut 5/16-18 Thd.*	
3	710-0158		Hex Bolt 5/16-24 x 1.25" Lg.*		59	736-0119		L-Wash. 5/16" I.D.*	
4	736-0231		Fl-Wash. .330" I.D. x 1.125" O.D.		60	736-0119		L-Wash. 5/16" I.D.*	
5	722-0153		Engine Mounting Grommet		61	712-0267		Hex Nut 5/16-18 Thd.*	
6	750-0539		Spacer .315" I.D. x .50" O.D. x .520" Lg.		62	725-0201		Ignition Key	
7	11053		Switch Brkt. Ass'y.		63	725-0464		Ignition Switch	
8	710-0502		Hex Wash. Hd. Self-Tap Scr. 3/8-16 x 1.25" Lg.		64	746-0503		Throttle Control Wire (B.&S.)	
9	712-0147		Speed Nut #10-24 U-Type		65	746-0510		Throttle Control Wire (Tec.)	
10	712-0121		Hex Nut #10-24 Thd.		66	15897		Front Seat Bracket	
11	736-0338		Fiber Washer		66	15606		Rear Seat Bracket	
12	710-0425		Truss Mach. Scr. #10-24 x .62" Lg.		67	736-0242		Bell-Wash. .345" I.D. x .88" O.D.	
13	710-0351		Truss Mach. Scr. #10 x .50" Lg.		68	710-0118		Hex Bolt 5/16-18 x .75" Lg.*	
14	726-0211		Palnut Lug 5/16-18 Thd.		69	712-0267		Hex Nut 5/16-18 Thd.*	
22	735-0220		Floor Mat		70	710-0601		Hex Wash. Self-Tap Scr. 5/16-18 x .75" Lg.	
25	726-0175		Clamp		71	736-0267		L-Wash. 5/16" I.D.*	
28	15562		Clutch-Brake Pedal Ass'y.		72	732-0431		Seat Spring	
29	710-0759		Hex Bolt 5/16-18 x .62" Lg.*		73	736-0160		Fl-Wash. .531" I.D. x .930" O.D.	
30	712-0267		Hex Nut 5/16-18 Thd.*		74	731-0555		Grommet	
31	736-0119		L-Wash. 5/16" I.D.*		75	712-0206		Hex Nut 1/2-13 Thd.*	
37	712-0267		Hex Nut 5/16-18 Thd.*		76	736-0921		L-Wash. 1/2" I.D.*	
38	736-0119		L-Wash. 5/16" I.D.*		77	710-0759		Hex Bolt 5/16-18 x .62" Lg.*	
39	15552		Transaxle Support Ass'y.		78	736-0242		Bell-Wash. .345" I.D. x .88" O.D.	
40	710-0118		Hex Bolt 5/16-18 x .75" Lg.*		79	712-0158		Hex Cent. L-Nut 5/16-18 Thd.	
41	15571		Rear Frame Panel		80	15607		Seat Pivot Bracket	
42	710-0621		Hex Bolt 5/16-18 x .50" Lg.*		81	757-0264		Seat Ass'y. Comp.	
43	736-0119		L-Wash. 5/16" I.D.*		82	710-0407		Hex F-Tap Scr. 8-32 x .38" Lg.	
44	712-0267		Hex Nut 5/16-18 Thd.*		83	751-0341		Exhaust Pipe Ass'y.	
48	710-0118		Hex Bolt 5/16-18 x .75" Lg.*		85	11263		Plastic Handle (Starter Rope)	
49	15604		Seat Support & Frame Brkt.		86	732-0257		Switch Spring	
50	710-0621		Hex Bolt 5/16-18 x .50" Lg.*		87	712-0267		Hex Nut 5/16-18 Thd.*	
51	710-0621		Hex Bolt 5/16-18 x .50" Lg.*		88	736-0119		L-Wash. 5/16" I.D.*	
52	736-0119		L-Wash. 5/16" I.D.*		89	15655		Rope Handle Bracket	
53	712-0267		Hex Nut 5/16-18 Thd.*						
54	710-0118		Hex Bolt 5/16-18 x .75" Lg.*						

(462—Red Flake)

\*For faster service obtain standard nuts, bolts and washers locally. If these items cannot be obtained locally, order by part number and size as shown on parts list.

When ordering parts, if color or finish is important use the appropriate color code shown above. (e.g. Red Flake Finish—11836 (462).)

# Models 500, 501, 510 and 511





# Models 500, 501, 510 and 511

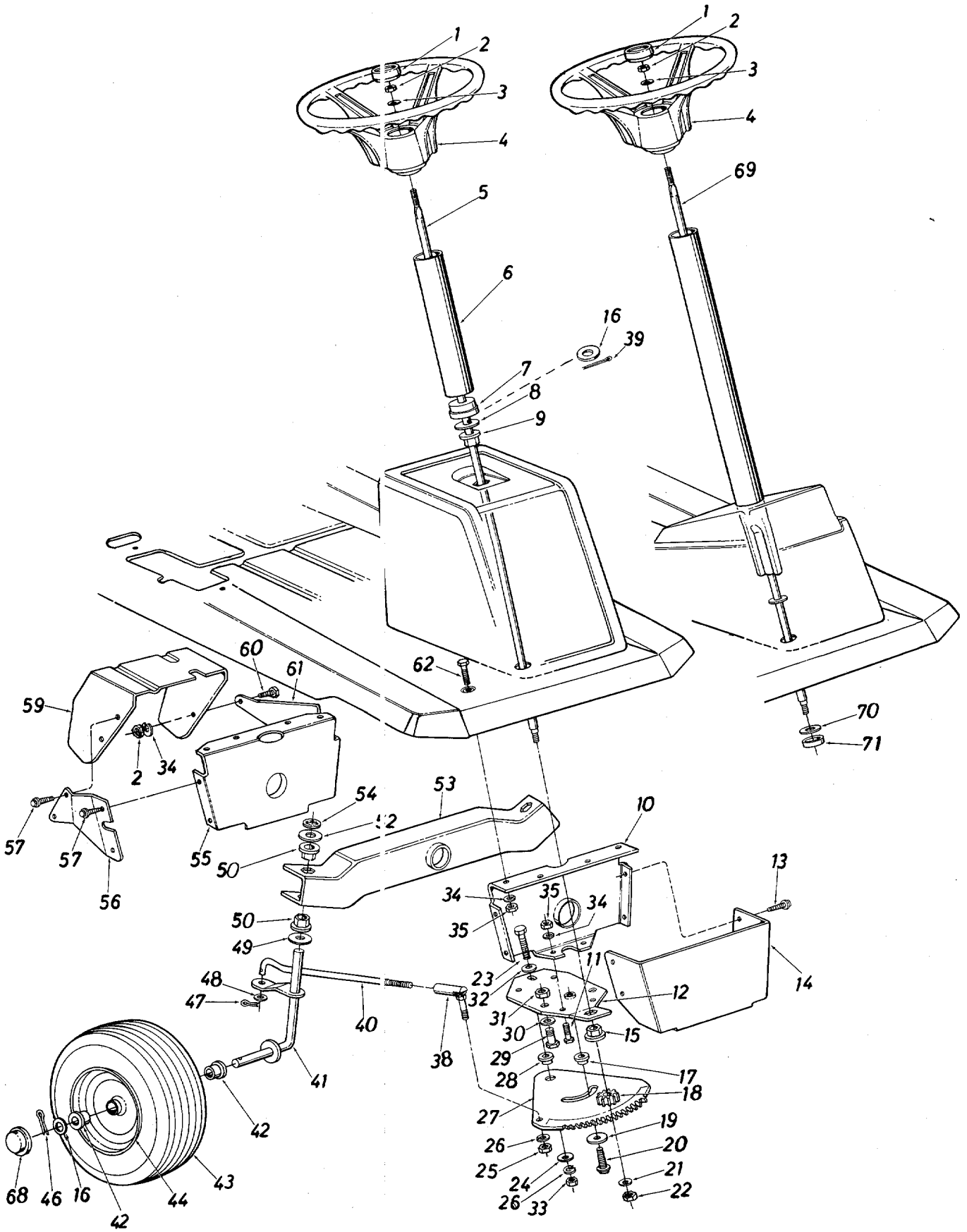
## PARTS LIST FOR MODELS 500, 501, 510 AND 511 RIDING MOWERS

REF. NO.	PART NO.	COLOR CODE	DESCRIPTION	NEW PART	REF. NO.	PART NO.	COLOR CODE	DESCRIPTION	NEW PART
1	736-0242		Bell-Wash. .345" I.D. x .88" O.D.		35	712-0287		Hex Nut 1/4-20 Thd.*	
2	710-0776		Hex Wash. Hd. AB-Tap Scr. 1/4 x .62" Lg.		36	710-0789		C-Sink AB S-Tap Scr. #8 x .50" Lg.	
3	720-0187		Ball Knob		37	726-0206		Push-In Nut #10	
4	732-0437		Compression Spring		38	710-0252		Hex Bolt 1/4-20 x .75" Lg.*	
5	712-0267		Hex Nut 5/16-18 Thd.*		39	15552		Transaxle Support Ass'y.	
6	736-0119		L-Wash. 5/16" I.D.*		40	710-0314		Hex Bolt 7/16-20 x 1.0" Lg.*	
7	735-0196		Foot Pad		41	15646		Upper Engine Belt Guard	
8	747-0427		Brake Locking Rod (Style A)		42	736-0329		L-Wash. 1/4" I.D.*	
	747-0450		Brake Locking Rod (Style B)		43	712-0287		Hex Nut 1/4-20 Thd.*	
9	15562		Clutch-Brake Pedal Ass'y.		44	710-0118		Hex Bolt 5/16-18 x .75" Lg.*	
10	714-0507		Cotter Pin 3/32" I.D. x 3/4" Lg.*		45	748-0234		Shoulder Spacer	
11	747-0431		Brake Rod		46	732-0383		Ext. Spring	
12	714-0115		Cotter Pin 1/8" x 1.0" Lg.*		47	714-0114		Sq. Key 1/4" x 2.00" Lg.	
13	736-0275		FI-Wash. .330" I.D. x .68" O.D.		48	15651		Idler Bracket Ass'y.	
14	714-0104		Intern. Cotter Pin 5/16" Dia.		49	754-0249		5L "V"-Belt 30" Lg. (Bare Back)	
15	720-0165		Gear Shift Knob		50	756-0116		"V"-Idler Pulley	
16	**		Rear Wheel Ass'y.		51	712-0116		Hex Insert L-Nut 3/8-24 Thd.	
17	736-0242		Bell-Wash. .345" I.D. x .88" O.D.		52	756-0391		Engine Pulley	
18	710-0627		Hex L-Bolt 5/16-24 x .75" Lg.		53	736-0171		L-Wash. 7/16" I.D.*	
19	714-0470		Cotter Pin 1/8" Dia. x 1.25" Lg.*		55	756-0394		Transaxle Pulley 6.0" O.D. (Straight)	
20	732-0389		Ext. Spring .75" O.D. x 17.0" Lg.		56	15624		Shift Lever Support	
21	712-0267		Hex Nut 5/16-18 Thd.*		57	710-0258		Hex Bolt 1/4-20 x .62" Lg.*	
22	732-0369		Spring		58	732-0420		Spring Switch	
23	736-0242		Bell-Wash. .345" I.D. x .88" O.D.		59	710-0395		Hex Bolt 5/16-18 x 2.25" Lg.*	
24	15659		Shift Lever Brkt.		60	747-0430		Upper Shift Lever	
25	15637		Shift Lever Ass'y.		61	747-0429		Belt Trap	
26	726-0106		Cap Speed Nut 1/4" Rod		62	736-0921		L-Wash. 1/2" I.D.*	
27	736-0329		L-Wash. 1/4" I.D.*		63	712-0206		Hex Nut 1/2-13 Thd.*	
28	747-0421		Shift Rod		64	747-0423		Clutch Rod	
29	710-0136		Hex Bolt 1/4-20 x 1.75" Lg.*		65	711-0544		Torque Rod 4.325" Lg.	
30	15625		Lower Outside Engine Belt Guard		66	710-0180		Hex Bolt 3/8-24 x .75" Lg. (Grade 5)	
31	710-0176		Hex Bolt 5/16-18 x 2.75" Lg.*		67	736-0119		L-Wash. 5/16" I.D.*	
32	717-0775		Transaxle Comp.		68	712-0267		Hex Nut 5/16-18 Thd.*	
33	710-0180		Hex Bolt 3/8-24 x .75" Lg.*		69	15897		Front Seat Bracket	
34	15564		Torque Rod Bracket		70	712-0287		Hex Nut 1/4-20 Thd.*	
					71	736-0329		L-Wash. 1/4" I.D.*	
					72	732-0303		Brake Return Spring 3.18" Lg.	
					73	714-0111		Cotter Pin 3/32" Dia. x .75" Lg.	

### REAR WHEEL CHART

Part No.	Description
734-0523	Rear Wheel Ass'y. Comp. 13.0 x 5.0"
734-0517	Rear Wheel Rim Only
734-0298	Rear Wheel Tire Only 13 x 5.0"
734-0255	Air Valve

# Models 500, 501, 510 and 511



# Models 500, 501, 510 and 511

## PARTS LIST FOR MODELS 500, 501, 510 AND 511 RIDING MOWERS

REF. NO.	PART NO.	COLOR CODE	DESCRIPTION	NEW PART	REF. NO.	PART NO.	COLOR CODE	DESCRIPTION	NEW PART
1	731-0220		Steering Wheel Cap		31	712-0206		Hex Nut 1/2-13 Thd.*	
2	712-0267		Hex Nut 5/16-18 Thd.*		32	736-0105		Bell-Wash. .385" I.D. x .88" O.D.	
3	736-0242		Bell-Wash. .345" I.D. x .88" O.D.		33	712-0241		Hex Nut 3/8-24 Thd.*	
4	731-0219		Steering Wheel Ass'y.		34	736-0119		L-Wash. 5/16" I.D.*	
5	738-0537		Steering Shaft		35	712-0267		Hex Nut 5/16-18 Thd.*	
6	750-0568		Steering Tube Spacer (Chrome)		38	723-0156		Ball Joint Ass'y. 3/8-24 Thd.	
7	731-0651		Steering Tube Spacer		39	714-0115		Cotter Pin 1/8" Dia. x 1.0" Lg.	
8	736-0187		FI-Wash. .640" I.D. x 1.25" O.D.		40	747-0417		Steering Tie Rod	
9	741-0225		Hex Flange Bearing		41	15616		Front Axle Ass'y.—R.H.	
10	15613		Pivot Bar Bracket			15617		Front Axle Ass'y.—L.H. (Not Shown)	
11	710-0118		Hex Bolt 5/16-18 x .75" Lg.*		42	741-0313		Flange Bearing .632" I.D.	
12	15614		Steering Gear Support Brkt.		43	**		Front Wheel Ass'y. Comp.	
13	710-0776		Hex Wash. Hd. AB-Tap Scr. 1/4 x .62" Lg.		44	**		Front Wheel Rim Only	
14	15608		Steering Gear Cover		46	714-0470		Cotter Pin 1/8" Dia. x 1.25" Lg.*	
15	741-0225		Hex Flange Bearing		47	714-0115		Cotter Pin 1/8" Dia. x 1.00" Lg.*	
16	736-0285		FI-Wash. .640" I.D. x 1.62" O.D.		48	736-0300		FI-Wash. .385" I.D. x .87" O.D.	
17	738-0541		Shoulder Spacer .622 Dia. x .218		49	736-0156		FI-Wash. .635" I.D. x 1.12" O.D.	
18	748-0290		Steering Pinion Gear		50	741-0225		Hex Flange Bearing	
19	736-0320		FI-Wash. .385" I.D. x 1.38" O.D.		52	736-0156		FI-Wash. .635" I.D. x 1.12" O.D.	
20	710-0502		Hex Wash. Hd. Self-Tap Scr. 3/8-16 x 1.25" Lg.		53	15610		Pivot Bar Ass'y.	
21	736-0242		Bell-Wash. .345" I.D. x .88" O.D.		54	726-0159		Speed Nut 5/8" I.D.	
22	712-0123		Hex Nut 5/16-24 Thd.*		55	15613		Pivot Bar Bracket	
23	710-0191		Hex Bolt 3/8-24 x 1.25" Lg. (Grade 5)		56	15694		Bracket Reinforcement—R.H.	
24	736-0320		FI-Wash. .385" I.D. x 1.38" O.D.		57	710-0776		Hex Wash. Hd. AB-Tap Scr. 1/4 x .62" Lg.	
25	712-0241		Hex Nut 3/8-24 Thd.*		59	15562		Clutch-Brake Pedal Ass'y.	
26	736-0169		L-Wash. 3/8" I.D.*		60	710-0118		Hex Bolt 5/16-18 x .75" Lg.*	
27	717-0472		Steering Gear Segment		61	15699		Bracket Reinforcement—L.H.	
28	738-0541		Shoulder Spacer .622" Dia. x .218		62	710-0118		Hex Bolt 5/16-18 x .75" Lg.*	
29	710-0689		Hex Bolt (Nylon) 1/2-13 x .75" Lg.		63	731-0484		Plastic Hub Cap	
30	736-0160		FI-Wash. .530" I.D. x .930" O.D.		69	16042		Steering Shaft Ass'y.	
					70	736-0187		FI-Wash. .62" I.D. x 1.50" O.D.	
					71	750-0532		Spacer (Plastic)	

(462—Red Flake)

\*For faster service obtain standard nuts, bolts and washers locally. If these items cannot be obtained locally, order by part number and size as shown on parts list.

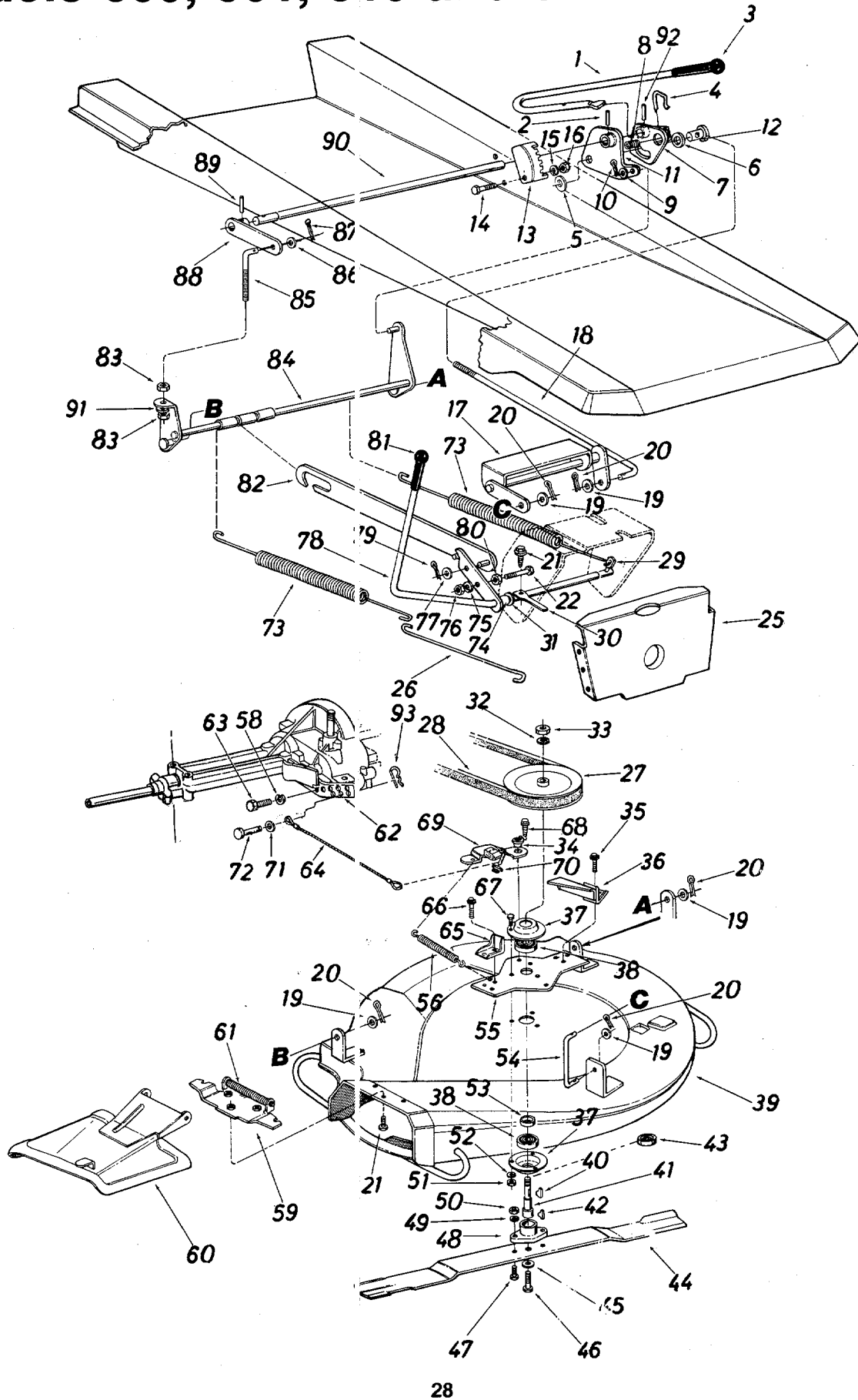
When ordering parts, if color or finish is important use the appropriate color code shown above. (e.g. Red Flake Finish—11836 (462).)

### \*\*FRONT WHEEL CHART

Description	11 x 4.0 <sup>x5</sup> — Part No.		10.5 x 3.5 — Part No.
	Wheel Assembly Comp.	734-1044	
Tire Only	734-0770	—	
Rim Only	734-1042	—	
Bearing	741-0313	741-0313	
Air Valve	734-0255	—	
Grease Fitting	737-0146	737-0146	

11 x 4 x ~~734-1185~~ ~~710-5x4~~  
 1382 TURF TRAC

# Models 500, 501, 510 and 511

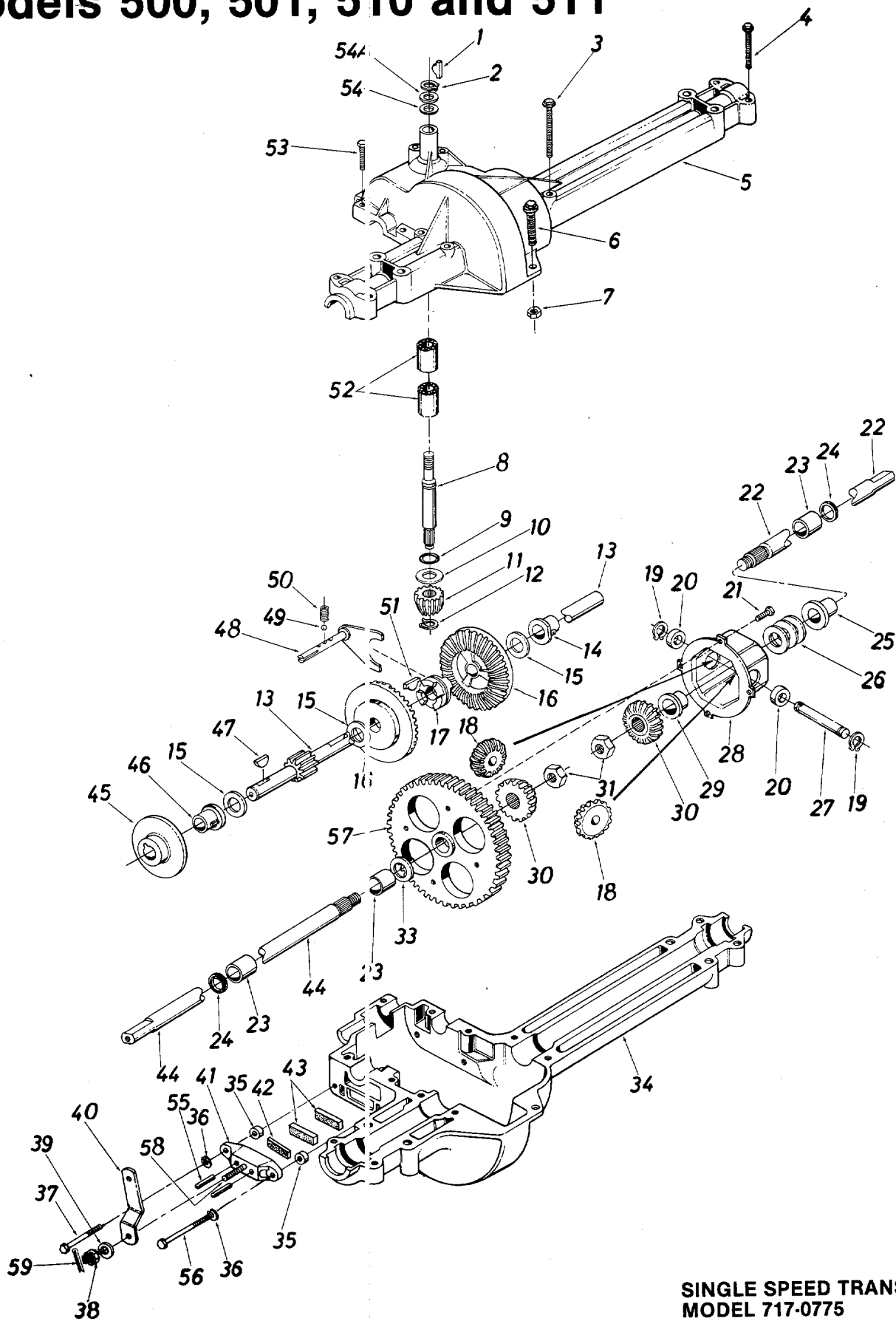


# Models 500, 501, 510 and 511

## PARTS LIST FOR MODELS 500, 501, 510 AND 511 RIDING MOWERS

REF. NO.	PART NO.	COLOR CODE	DESCRIPTION	NEW PART	REF. NO.	PART NO.	COLOR CODE	DESCRIPTION	NEW PART
1	747-0418		Deck Lift Handle		47	710-0888		Hex Bolt 5/16-24 x 1.00" Lg. (Grade 5)	
2	715-0114		Spring Pin Spir. 1/4" Dia. x 1.50" Lg.		48	10769		Blade Adapter Kit	
3	720-0143		Grip		49	736-0119		L-Wash. 5/16" I.D.*	
4	714-0166		Cotter Pin (Special)		50	712-0123		Hex Nut 5/16-24 Thd.*	
5	736-0162		FI-Wash. 5/8" I.D. x 1.0" O.D. x .12		51	712-0267		Hex Nut 5/16-18 Thd.*	
6	736-0187		FI-Wash. 5/8" I.D. x 1.25" O.D. x .60		52	736-0119		L-Wash. 5/16" I.D.*	
7	15576		Deck Lift Handle Brkt. Ass'y.		53	750-0142		Spacer .836" I.D. x 1.01" O.D. x .320	
8	732-0430		Compression Spring .50" O.D. x 1.04		54	747-0428		Deck Link 3.9" Lg.	
9	736-0300		FI-Wash. .385" I.D. x .87" O.D. x .06		55	15658		Belt Guard Plate Ass'y.	
10	714-0115		Cotter Pin 1/8" Dia. x 1.00"*		56	732-0157		Spring .38" O.D. x 3.25" Lg.	
11	15578		Deck Lift Brkt. Ass'y.—L.H.		58	736-0329		L-Wash. 1/4" I.D.*	
12	711-0749		Adj. Ferrule—Deck Lift Handle		59	11396		Adapter Ass'y.—Chute	
13	15581		Index Bracket		60	11634		Chute Deflector Ass'y. Comp.	
14	710-0118		Hex Bolt 5/16-18 x .75" Lg.*		61	732-0261		Torsion Spring	
15	736-0119		L-Wash. 5/16" I.D.*		62	15626		Lower Inside Belt Guard	
16	712-0267		Hex Nut 5/16-18 Thd.*		63	710-0258		Hex Bolt 1/4-20 x .62" Lg.*	
17	15573		Deck Lift Ass'y. Front		64	727-0290		Brake Cable Ass'y.	
18	747-0426		Deck Lift Connecting Rod		65	10426		Belt Keeper Ass'y.	
19	736-0300		FI-Wash. .385" I.D. x .87" O.D. x .06		66	710-0604		Hex Wash. Hd. Scr. 5/16-18 x .62" Lg.	
20	714-0115		Cotter Pin 1/8" Dia. x 1.00"*		67	710-0322		Hex Sems Bolt 5/16-18 x 1.00" Lg.*	
21	710-0599		Hex Wash. Hd. Self-Tap Scr. 1/4-20 x .50" Lg.		68	710-0623		Hex Wash. Hd. 3/8" x .75" Lg.	
22	710-0805		Hex Bolt 5/16-18 x 1.5" Lg.*		69	16053		Blade Brake Brkt. Ass'y.	
25	15613		Pivot Bar Bracket		70	726-0106		Cap Speed Nut 1/4" Rod	
26	732-0439		Spring Hook		71	736-0142		FI-Wash. 1/4" I.D. x .50" O.D.	
27	756-0395		Deck Pulley 6.0" O.D.		72	711-0701		Clevis Pin 1/4" x 1/2"	
28	754-0264		"V"-Belt 1/2" x 52" Lg.		73	732-0440		Extension Spring .99" O.D. x 14.2" Lg.	
29	711-0753		Spec. Clevis Pin .250" Dia.		74	750-0515		Sleeve .511" I.D. x .70" x .37" Lg.	
30	732-0435		Switch Actuator		75	736-0119		L-Wash. 5/16" I.D.*	
31	736-0160		FI-Wash. .531" I.D. x .930" O.D. x .050		76	712-0267		Hex Nut 5/16-18 Thd.*	
32	736-0158		FI-Wash. 5/8" I.D.*		77	736-0300		FI-Wash. .385" I.D. x .87" O.D. x .06	
33	712-0242		Hex Jam Nut 5/8-11 Thd.*		78	15568		Blade Engagement Lever Ass'y.	
34	748-0234		Shoulder Spacer		79	714-0115		Cotter Pin 1/8" Dia. x 1.00" Lg.*	
35	710-0604		Hex Wash. Hd. Scr. 5/16-18 x .62" Lg.		80	712-0267		Hex Nut 5/16-18 Thd.*	
36	15653		Belt Guard Ass'y.		81	720-0143		Grip	
37	08253		Bearing Housing 1.85" I.D.		82	15644		Deck Drive Control Brkt. Ass'y.	
38	741-0919		Ball Brg. .787" I.D. x 1.85" O.D. x .551		83	712-0798		Hex Nut 3/8-16 Thd.*	
39	15628		26" Deck Ass'y.		84	15600		Deck Link Ass'y.—Rear	
	15630		26" Deck Ass'y. Comp. (Service Only)		85	710-0866		Deck Adj. Scr. 3/8-16 Thd.	
40	714-0388		#61 Hi-Pro Key 3/16" x 5/8" Dia.		86	736-0300		FI-Wash. .385" I.D. x .87" O.D. x .06	
41	711-0405		Blade Spindle		87	714-0115		Cotter Pin 1/8" Dia. x 1.00"*	
42	714-0365		#6 Hi-Pro Key 5/32" x 5/8" Dia.		88	15609		Deck Lift Brkt. Ass'y.—R.H.	
43	13703		Bearing Shield		89	715-0114		Spring Pin Spir. 1/4" Dia. x 1.50" Lg.	
44	742-0147		26" Blade		90	738-0550		Rear Height Adj. Shaft	
45	736-0217		L-Wash. 3/8" I.D. Heavy Duty		91	736-0169		L-Wash. 3/8" I.D.*	
46	710-0459		Hex Bolt 3/8-24 x 1.50" Lg. (Grade 5)		92	715-0134		Spring Pin Spir. 3/16" Dia. x 1.50" Lg.	
					93	714-0104		Int. Cot. Pin 5/16" Dia.	

# Models 500, 501, 510 and 511



**SINGLE SPEED TRANSAXLE  
MODEL 717-0775**

# Models 500, 501, 510 and 511

## PARTS LIST FOR SINGLE SPEED TRANSAXLE 717-0775A

REF. NO.	PART NO.	COLOR CODE	DESCRIPTION	NEW PART	REF. NO.	PART NO.	COLOR CODE	DESCRIPTION	NEW PART
1	714-0129		#4 Hi-Pro Key 3/32 x 5/8" Dia.		33	736-0188		FI-Wash. .760" I.D. x 1.49" O.D.	
2	716-0115		Snap Ring .625" Shaft		34	717-0761		Lower Housing	
3	710-0854		Hex Bolt 1/4-20 x 1.75" Lg.*		35	750-0555		Spacer .53" O.D. x 3/8" Lg.	
4	710-0809		Hex Bolt 1/4-20 x 1.25" Lg.*		36	736-0329		L-Wash. 1/4" I.D.*	
5	717-0764		Upper Housing		37	710-0886		Hex Bolt 1/4-20 x 1.50" Lg. (Grade 5)	
6	710-0889		Hex FI-Bolt 1/4-20 x .88" Lg.*		38	712-0335		Castle Nut 5/16-24 Thd.*	
7	712-0287		Hex Nut 1/4-20 Thd.*		39	736-0159		FI-Wash. .344" I.D. x .875" O.D.	
8	717-0634		Input Shaft		40	717-0772		Actuating Arm	
9	721-0178		Square Seal 5/8" I.D.		41	717-0679		Brake Yoke	
10	736-0335		Thrust Washer 5/8" I.D. x 1.25" O.D.		42	717-0682		Puck Plate	
11	717-0633		Pinion Input 14T		43	717-0678		Brake Puck	
12	716-0108		Retaining Ring 7/16" Ext.		44	753-0395		Axle L.H. Kit	N
13	717-0768		Drive Shaft		45	717-0677		Brake Disc	
14	741-0336		Flange Brg. 5/8" I.D. x 3/4" Lg.*		46	741-0337		Flange Bearing 5/8" I.D. x 15/16" Lg.	
15	**		FI-Wash. (See Below)		47	714-0161		Woodruff Key 3/16 x 5/8 HT	
16	717-0757		Bevel Gear 42T		48	717-0754		Shift Fork Ass'y.	
17	717-0667		Clutch Collar		49	741-0862		Ball Detent .250" Dia.	
18	717-0674		Miter Gear 15T		50	732-0863		Spring Detent	
19	716-0142		Snap Ring		51	714-0169		#9 Hi-Pro Key 3/16" x 3/4" Dia. HT	
20	717-0690		Thrust Bearing 1/2" I.D. x 1.0" O.D.		52	741-0335		Needle Brg. 5/8" I.D. x 1/2" Lg.	
21	710-0862		Pan Head Scr. 1/4-20 x .50" Lg. w/Patch	N	53	710-0855		Hex Bolt 1/4-20 x 1.00" Lg.	
22	753-0394		Axle R.H. Kit		54	736-0336		FI-Wash. 5/8" I.D. x .030	
23	741-0340		Sleeve Bearing 3/4" I.D. x 1.0" Lg.		54A	736-0337		FI-Wash. 5/8" I.D. x .040	
24	721-0179		Oil Seal 3/4" I.D.		55	741-0343		Actuating Pin 5/16" Dia.	
25	741-0339		Flange Bearing 3/4" I.D. x 15/16" Lg.		56	710-0886		Hex Bolt 1/4-20 x 1.50" Lg. (Grade 5)	
26	736-0188		FI-Wash. .760" I.D. x 1.49" O.D.		57	717-0767		Differential Gear 72T Ass'y. w/Bearing	N
27	717-0673		Cross Shaft		58	717-0681		Sq. Hd. Bolt 5/16-24 Thd.	
28	717-0777		Differential Housing Ass'y.		59	712-0256		Hex Jam Nut 5/16-24 Thd.*	
29	—		Part of Ref. 28		—	737-0148		Grease—Shell (10 oz.)	
30	717-0687		Miter Gear						
31	716-0144		Retaining Ring						

\*\*Ref. No. 15 736-0349 FI-Wash. 5/8" I.D. x 1.0" O.D. x .020" Thk.  
 736-0336 FI-Wash. 5/8" I.D. x 1.0" O.D. x .030" Thk.  
 736-0337 FI-Wash. 5/8" I.D. x 1.0" O.D. x .040" Thk.

# PARTS INFORMATION

## POWER EQUIPMENT PARTS AND SERVICE

Parts and service are available through the authorized service firms listed below. All orders should specify the model number of your unit, part numbers, description of parts and the quantity of each part required.

**NOTE:** If any parts are found to be missing or defective upon assembly of this unit, write to advise the factory so that immediate replacement can be made.

<b>ALABAMA</b>	<b>BIRMINGHAM</b>
Auto Electric & Carburetor Co. . . . .	2625 4th Ave. S. . . . . 5233
<b>ARKANSAS</b>	<b>NORTH LITTLE ROCK</b>
Sutton's Lawn Mower Shop . . . . .	5301 Roundtop Drive
	Box 368, Rt. 4 . . . . . 2117
<b>CALIFORNIA</b>	<b>PORTERVILLE</b>
Billious . . . . .	75 North D Street . . . . . 3257
<b>COLORADO</b>	<b>DENVER</b>
Spitzer Industrial Products Co. . . . .	6601 N.
	Washington St. . . . . 0229
<b>FLORIDA</b>	<b>JACKSONVILLE</b>
Radco Distributors . . . . .	4909 Victor St.
	Box 5459 . . . . . 2207
	<b>HIALEAH</b>
Small Eng. Dist. . . . .	7995 W. 26th Court . . . . . 3016
<b>GEORGIA</b>	<b>EAST POINT</b>
East Point Cycle & Key Inc. . . . .	2834 Church St. . . . . 0344
<b>ILLINOIS</b>	<b>LYONS</b>
Keen Edge Co. . . . .	8615 Ogden Ave. . . . . 0534
<b>INDIANA</b>	<b>ELKHART</b>
Parts & Sales Inc. . . . .	2101 Industrial Pkwy. . . . . 6516
<b>IOWA</b>	<b>DUBUQUE</b>
Power Lawn & Garden Equip. . . . .	2551 J.F. Kennedy . . . . . 52001
<b>LOUISIANA</b>	<b>NEW ORLEANS</b>
Suhren Engine Co. . . . .	8330 Earhart Blvd. . . . . 70118
<b>MARYLAND</b>	<b>TAKOMA PARK</b>
Center Supply Co. . . . .	6867 New Hampshire
	Ave. . . . . 20912
<b>MASSACHUSETTS</b>	<b>SPRINGFIELD</b>
Morton B. Collins Co. . . . .	300 Birnie Ave. . . . . 01107
<b>MICHIGAN</b>	<b>LANSING</b>
Lorenz Service Co. . . . .	2500 S. Pennsylvania . . . . . 48910
	<b>MOUNT CLEMENS</b>
Power Equipment Dist. . . . .	340 Hubbard . . . . . 48043
<b>MINNESOTA</b>	<b>HOPKINS</b>
Hance Distributing Inc. . . . .	420 Excelsior Ave. W. . . . . 55343
<b>MISSISSIPPI</b>	<b>BILOXI</b>
Biloxi Sales & Service, Inc. . . . .	506 Caillavet St. . . . . 39533
<b>MISSOURI</b>	<b>KANSAS CITY</b>
Automotive Equip. Service . . . . .	3117 Holmes St. . . . . 64109
	<b>ST. JOSEPH</b>
Ross-Frazier Supply Co. . . . .	8th and Monterey . . . . . 64503
	<b>ST. LOUIS</b>
Henzler, Inc. . . . .	2015 Lemay Ferry Rd. . . . . 63125
<b>NEW JERSEY</b>	<b>BELLMAR</b>
Lawnmower Parts Inc. . . . .	717 Creek Rd. . . . . 08030
<b>NEW MEXICO</b>	<b>ALBUQUERQUE</b>
Spitzer Eng. & Parts Co. . . . .	1023 Third Ave. N.W. . . . . 87103
<b>NEW YORK</b>	<b>CARTHAGE</b>
Gamble Dist., Inc. . . . .	West End Ave. . . . . 13619

## BRIGGS AND STRATTON, TECUMSEH AND PEERLESS PARTS AND SERVICE

Briggs & Stratton, Tecumseh and Peerless parts and service should be handled by your nearest authorized engine service firm. Check the yellow pages of your telephone directory under the listing **Engines—Gasoline**, Briggs & Stratton or Tecumseh Lauson.

<b>OHIO</b>	<b>CARROLL</b>
Stebe's Mid-State Mower Supply . . . . .	Box 366, 71 High St. . . . . 43112
	<b>CLEVELAND</b>
Bleckrie, Inc. . . . .	7900 Lorain Ave. . . . . 44102
	<b>WADSWORTH</b>
National Central . . . . .	687 Seville Rd. . . . . 44281
	<b>YOUNGSTOWN</b>
Burton Supply Co. . . . .	1301 Logan Ave.
	Box 929 . . . . . 44501
<b>OKLAHOMA</b>	<b>MUSKOGEE</b>
Victory Motors, Inc. . . . .	605 S. Cherokee . . . . . 74401
<b>OREGON</b>	<b>PORTLAND</b>
Kenton Supply Co. . . . .	8216 N. Denver Ave. . . . . 97217
<b>PENNSYLVANIA</b>	<b>HARRISBURG</b>
EECO Inc. . . . .	4021 N. 6th St. . . . . 17110
	<b>PHILADELPHIA</b>
Thompson Rubber Co. . . . .	5222-24 N. Fifth St. . . . . 19120
	<b>PITTSBURGH</b>
Bluemont Co. . . . .	11125 Frankstown Rd. . . . . 15235
	<b>PUNXSUTAWNEY</b>
Frank Roberts & Sons . . . . .	R.D. 2 . . . . . 15767
	<b>SCRANTON</b>
Scranton Auto Ignition Co. . . . .	1133-35 Wyoming Ave. . . . . 18509
<b>TENNESSEE</b>	<b>KNOXVILLE</b>
Master Repair Service . . . . .	2000 Western Ave. . . . . 37921
	<b>MEMPHIS</b>
American Sales & Service, Inc. . . . .	3035-43 Bellbrook . . . . . 3811
<b>TEXAS</b>	<b>DALLAS</b>
Marr Brothers, Inc. . . . .	423 E. Jefferson . . . . . 75203
	<b>FORT WORTH</b>
Woodson Sales Corp. . . . .	6733 Baker Blvd.
	Hwy. 10 . . . . . 76118
	<b>HOUSTON</b>
Bullard Supply Co. . . . .	2409 Commerce St. . . . . 77003
	<b>SAN ANTONIO</b>
Engine House Inc. . . . .	8610 Botts Lane
	P.O. Box 17867 . . . . . 78217
<b>UTAH</b>	<b>BOUNTIFUL</b>
Powered Products . . . . .	485 N 500 W. . . . . 84010
<b>VIRGINIA</b>	<b>ASHLAND</b>
RBI Corp. . . . .	101 Cedar Ridge Dr. . . . . 23005
<b>WASHINGTON</b>	<b>SEATTLE</b>
Equip. Northwest . . . . .	1410 14th Ave. . . . . 98122
<b>WISCONSIN</b>	<b>CHILTON</b>
Horst Dist. Inc. . . . .	444 N. Madison St. . . . . 53014
<b>NORTH CAROLINA</b>	<b>GOLDSBORO</b>
Smith Hardware Co. . . . .	515 N. George St. . . . . 27530
	<b>GREENSBORO</b>
Dixie Sales Company . . . . .	335 N. Green . . . . . 27402

## WARRANTY PARTS AND SERVICE POLICY

(0484)

The purpose of warranty is to protect the customer from defects in workmanship and materials, defects which are NOT detected at the time of manufacture. It does not provide for the unlimited and unrestricted replacement of parts. Use and maintenance are the responsibility of the customer. The manufacturer cannot assume responsibility for conditions over which it has no control. Simply put, if it's the manufacturer's fault, it's the manufacturer's responsibility; if it's the customer's fault, it's the customer's responsibility.

### CLAIMS AGAINST THE MANUFACTURER'S WARRANTY INCLUDES:

1. Replacement of Missing Parts on new equipment.
2. Replacement of Defective Parts within the warranty period.
3. Repair of Defects within the warranty period.

All claims MUST be substantiated with the following information:

1. Model Number of unit involved.
2. Date unit was purchased or first put into service.
3. Date of failure.
4. Nature of failure.