

Operating/Service Instructions

RIDING MOWER

IMPORTANT

SAFE OPERATION PRACTICES - RIDING MOWERS

Model Nos.

132-380 25" CUT—RECOIL STARTER
 132-385 25" CUT—ELECT. STARTER
 132-390 30" CUT—RECOIL STARTER
 132-395 30" CUT—ELECT. STARTER

Battery Charger 725-156

1. Know the controls and how to stop quickly—
READ THE OWNER'S MANUAL.
2. Do not allow children to operate vehicle. Do not allow adults to operate it without proper instruction.
3. Do not carry passengers. **Keep children and pets a safe distance away.**
4. Clear work area of objects which might be picked up and thrown.
5. Disengage all attachment clutches and shift into neutral before attempting to start engine (motor).
6. Disengage power to attachments and stop engine (motor) before leaving operator position.
7. Disengage power to attachment(s) and stop engine (motor) before making any repairs or adjustments.
8. Disengage power to attachments when transporting or not in use.
9. Take all possible precautions when leaving vehicle unattended; such as disengaging power-take-off, lowering attachments, shifting into neutral, setting parking brake, stopping engine and removing key.
10. Do not stop or start suddenly when going uphill or downhill. Mow up and down the face of steep slopes; never across the face.
11. Reduce speed on slopes and in sharp turns to prevent tipping or loss of control. Exercise extreme caution when changing direction on slopes.
12. Stay alert for holes in terrain and other hidden hazards.
13. Use care when pulling loads or using heavy equipment.
 - A. Use only approved drawbar hitch points.
 - B. Limit loads to those you can safely control.
 - C. Do not turn sharply. Use care when backing.
 - D. Use counterweight(s) or wheel weights when suggested in owner's manual.
14. Watch out for traffic when crossing or near roadways.
15. When using any attachments never direct discharge of material toward bystanders nor allow anyone near vehicle while in operation.
16. Handle gasoline with care—it is highly flammable
 - A. Use approved gasoline container.
 - B. Never remove cap or add gasoline to a running or hot engine or fill fuel tank indoors. Wipe up spilled gasoline.
 - C. Open doors if engine is run in garage—exhaust fumes are dangerous. Do not run engine (motor) indoors.
17. Keep vehicle and attachments in good operating condition and keep safety devices in place. Use guards as instructed in owner's manual.
18. Keep all nuts, bolts, and screws tight to be sure equipment is in safe working condition.
19. Never store equipment with gasoline in the tank inside a building where fumes may reach an open flame or spark.
20. Allow engine to cool before storing in any enclosure.
21. To reduce fire hazard keep engine free of grass, leaves or excessive grease.
22. Vehicle and attachments should be stopped and inspected for damage after striking a foreign object and the damage should be repaired before restarting and operating the equipment.
23. Do not change engine governor settings or over-speed engine.
24. When using vehicle with mower:
 - (1) Mow only in daylight or in good artificial light.
 - (2) Never make a cutting height adjustment while engine (motor) is running if operator must dismount to do so.
 - (3) Shut engine (motor) off when removing grass catcher and/or unclogging chute.
 - (4) Check blade mounting bolts for proper tightness at frequent intervals.
25. Check grass catcher bags frequently for wear or deterioration. Replace with new bags for safety protection.

ASSEMBLY

GRASS CATCHER Model No. 192-010 is available as optional equipment for the mowers shown in this manual.

WARNING

1. The mower should not be operated without the entire grass catcher or chute deflector in place.
2. The mower should not be operated without the protective shield on the rear of the deck in place.

NOTE

Under normal usage bag material is subject to wear, and should be checked periodically. Be sure any replacement bag complies with the mower manufacturer's recommendations.

For replacement bags, use only factory authorized replacement bag No. 764-121.

IMPORTANT: After striking a foreign object, stop the engine (motor). Remove wire from spark plug, thoroughly inspect the mower for any damage, and repair the damage before restarting and operating the mower.

The steering wheel and seat, with the necessary hardware, are easily assembled to the machine. On the electric starter models, the battery must be activated and installed as outlined in this section.

NOTE

Reference to right-hand or left-hand side of machine is from the driver's seat facing forward.

- Step 1. Remove the lawn mower and all parts from the carton. Make certain that all loose parts and literature have been removed before the carton is discarded.
- Step 2. Line up the hole in the steering column with the hole in the steering wheel.
- Step 3. Drive in roll pin A with a hammer being careful not to hit the plastic steering wheel. See figure 2.
- Step 4. Press the cap on the steering wheel by hand. See figure 2.



FIGURE 2. STEERING WHEEL ASSEMBLY

- Step 5. Assemble the seat. There are two styles of seats used on the riders, carriage bolt mounted and hex head bolt mounted.

a. Carriage Bolt Mounted. Hook the large carriage bolt B into the bottom of the seat as shown in figure 3. Place the seat on the seat spring and secure with hex nut C. See figure 4.

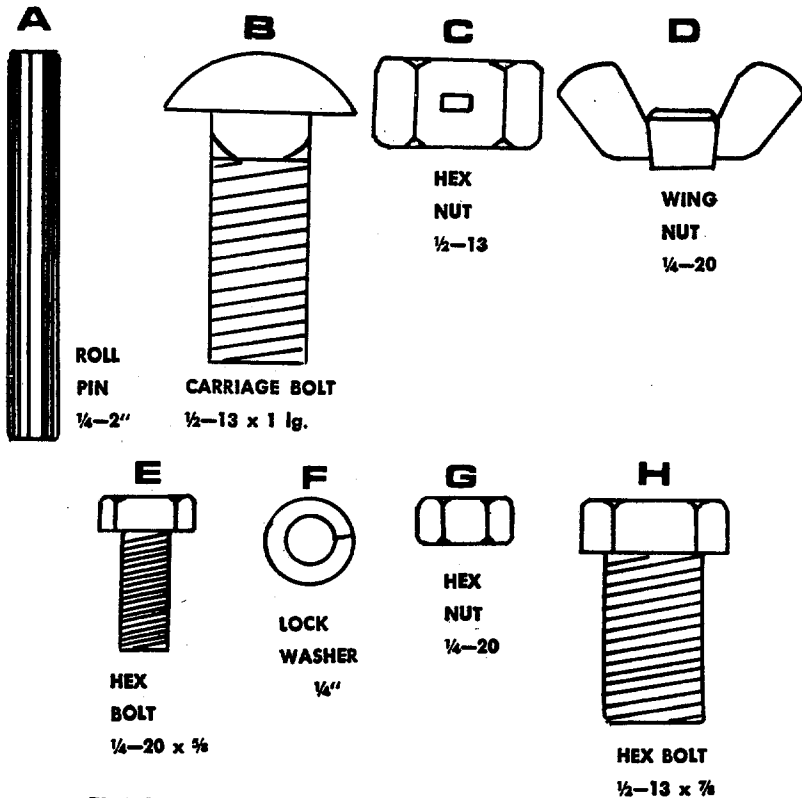


FIGURE 1. HARDWARE SUPPLIED

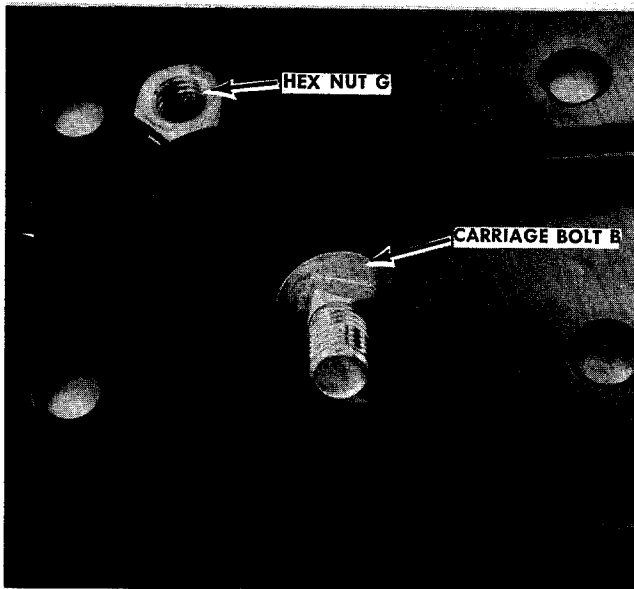


FIGURE 3. ATTACHING SEAT BOLT

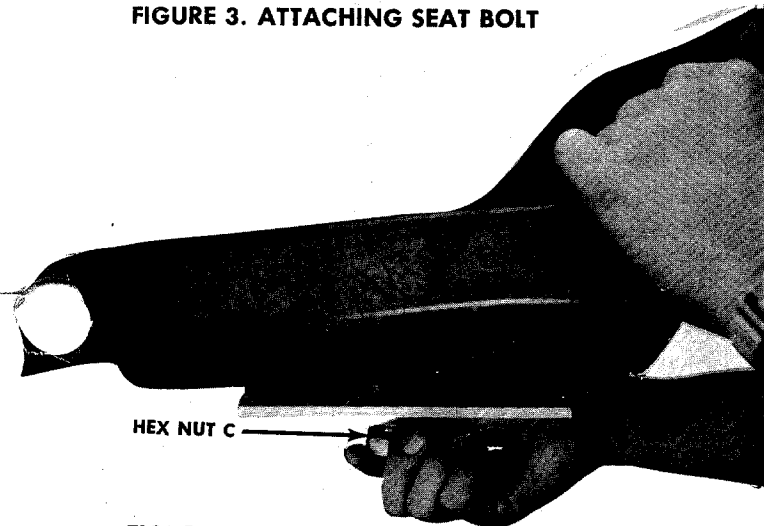


FIGURE 4. SEAT ASSEMBLY

b. **Hex Head Bolt Mounted.** Assemble the seat to the seat spring with hex bolt H as shown in figure 5.

Both of the seats are adjustable by using the three different mounting holes in the seat spring.

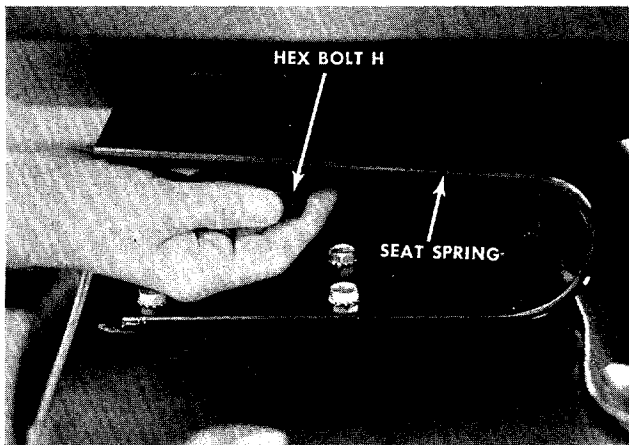


FIGURE 5. SEAT ASSEMBLY

The tires are over-inflated for shipping. Reduce the tire pressure from 7 to 10 psi front and rear.

ACTIVATING THE BATTERY (Electric Start Models Only)



Since battery acid is corrosive to metals, do not pour into any sink or drain. Rinse empty Electrolyte containers and mutilate before discarding. If acid is accidentally spilled on battery during filling or charging, or on bench or clothing, etc., flush off with clear water and neutralize with soda or ammonia solution.

- Step 1. Place the battery to be filled on a bench. Never activate the battery in the mower.
- Step 2. Remove the vent plugs.
- Step 3. Place the acid pack in the upright position, pull the tab back to the edge of the carton, pull out hose, snip off end.
- Step 4. Fill each cell until the electrolyte level rises to the split ring at the bottom of the vent well.

CAUTION

Do not over-fill.

- Step 5. After filling the cells, wait five to ten minutes and add additional electrolyte if necessary to bring it up to the proper level.
- Step 6. Replace the vent caps.
- Step 7. Using a battery charger, charge the new battery before installing it in the riding mower.

25-30 amps	10 to 15 minutes
4-6 amps	30 minutes
1 1/4 amps	2 hours

- Step 8. Install the battery.

- a. Open the hood of the mower.
- b. Place the battery with the terminals to the FRONT in the battery case. See figure 6.
- c. Hook both hold-down rods under the battery case and place the hold down over the battery caps and secure with wing nuts D.

CAUTION

Be sure the flared edge of the hold down is facing up to avoid damage to the battery.

- d. Attach the free end of the positive cable and the small wire from the ammeter, to the positive battery terminal with bolt E, washer F and nut G. The battery terminal is marked +.
- e. Attach the free end of the negative cable to the negative terminal with bolt E, washer F and nut G. Battery terminal is marked -.

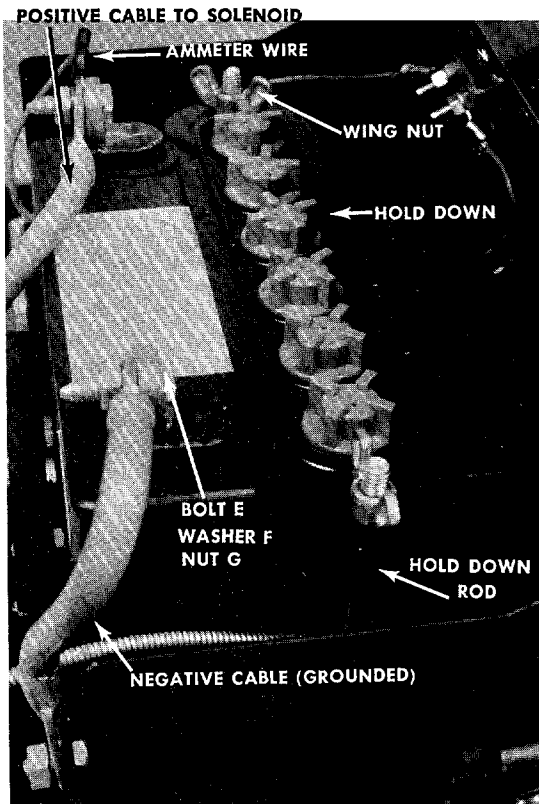


FIGURE 6. INSTALLING THE BATTERY

BATTERY CHARGER

1. Your battery may be charged in your rider without removing it or without disturbing the cable connectors at the battery terminals.
2. Be sure the switch is in the 12 Volt position.
3. Connect battery clips to battery terminals. Clip with (+) mark connects to positive terminal of the battery. Clip with no marking connects to negative terminal of battery. (Red clips are + and black clips are -.) Be sure that battery terminals are clean where charger clips are to be connected. Move clips back and forth several times to be sure a tight connection is made.
4. If sparking occurs at battery clips when connecting them to battery terminals the clips should be reversed on the battery terminals.
5. Make sure the voltage of the battery is the same as that of the charger, as mentioned before. Connect AC plug to an alternating current outlet of the same voltage and frequency as shown on the name plate of the charger. (To prevent short circuiting of the battery charger, be sure to connect clips to battery terminals before plugging into the AC outlet.)
6. Your battery charger is equipped with an automatic circuit breaker which protects the charger against short circuits and overloads which cause the circuit breaker to trip open when they occur. After a short cooling off period the circuit breaker will "reset" automatically and allow the charger to operate normally. If the circuit-breaker trips open, make sure battery connections are correct.
7. If the charger continues to trip and you have checked your connections to see that they are correct, the probable cause is in the battery, which may have

been allowed to discharge below its normal discharge condition or it may have one or more shorted cells. If this condition exists it will draw too much current and cause the circuit breaker to trip on and off. This will continue until the battery has recovered sufficiently to allow a normal charging current.

8. The charging rate depends upon the AC supply voltage and the internal condition of the battery. Under certain of these conditions the charger may not deliver its maximum charging rate to the battery, but this should not be taken as an indication that the charger is inefficient.

9. The average time required to charge a battery is 8-10 hours for a completely discharged battery.

CONTROLS See figure 5.

This manual should be read in its entirety before you operate your Riding Mower. The more you know and understand about the machine and its operation, the better job it will do for you. While reading the manual, compare the illustrations with your mower to familiarize yourself with the locations of various controls, lubrication points, attachments and adjustment features.

Study the operating instructions and safety precautions thoroughly to insure proper functioning of your mower and to prevent injury to yourself and others. Be sure to save this manual for future reference.

THROTTLE CONTROL

The throttle control is used to regulate the engine speed and to activate the choke on the engine. To get the maximum efficiency on cutting, the throttle should be in the FAST position when operating the mower. Pushing the throttle all the way forward, past FAST will choke the engine. See figure 7.

IGNITION KEY

Recoil Model. The key must be turned to the ON position before you pull the recoil handle to start the engine. Remove the key when the mower is not in use. Turn the key to the left to the OFF position to stop the engine. See figure 12.

Electric Model. The key must be turned to the START position to start the engine. After the engine is running let the key return to the ON position. Remove the key when the mower is not in use. Turn the key to the OFF position to stop the engine. See figure 7.

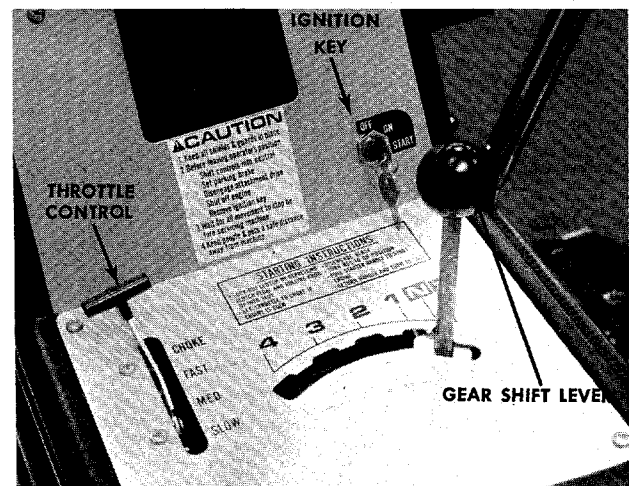


FIGURE 7. CONTROLS

INTERLOCKS (Not Shown)

An interlock safety switch is located on the clutch pedal and the lift and disengagement lever.

The clutch pedal must be depressed all the way down and can be locked and the lift and disengagement lever must be in the disengaged position before the engine can be started.

On the recoil start model, the ignition will be grounded and on the electric start model, the starter will not run.

BRAKE

The brake pedal is located on the right hand side of the mower and is operated by depressing it with your right foot. See figure 8.

BRAKE LOCK

The brake lock is located on the right hand side of the mower. To lock the brake, depress the brake pedal and lift up the lock button. The pedal will stay depressed. To release, depress the brake pedal. Always lock the brake when you park the mower. See figure 8.

CLUTCH

The clutch pedal is located on the left hand side of the mower and is operated with your left foot. Depress the pedal to disengage the drive mechanism. Release the clutch slowly to engage. The clutch and brake pedals must both be depressed when stopping the mower. When shifting gears, the clutch pedal must be disengaged and the mower cannot be moving. See figure 9.

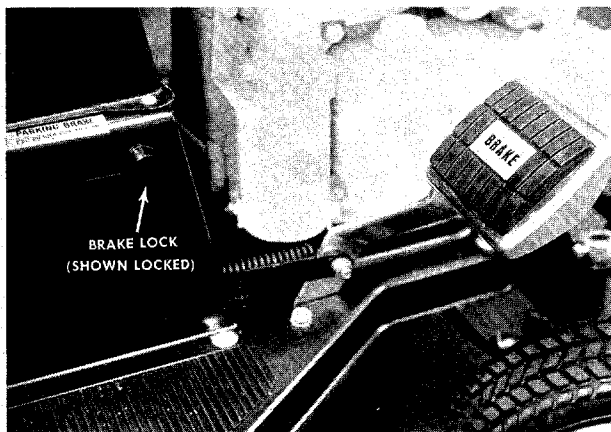


FIGURE 8. BRAKE AND BRAKE LOCK

CLUTCH LOCK

When the clutch pedal is depressed all the way it can be locked by lifting up the lock button. The pedal will stay depressed. To release, depress the pedal. See figure 9.

NOTE

The clutch pedal must be depressed to start the engine.

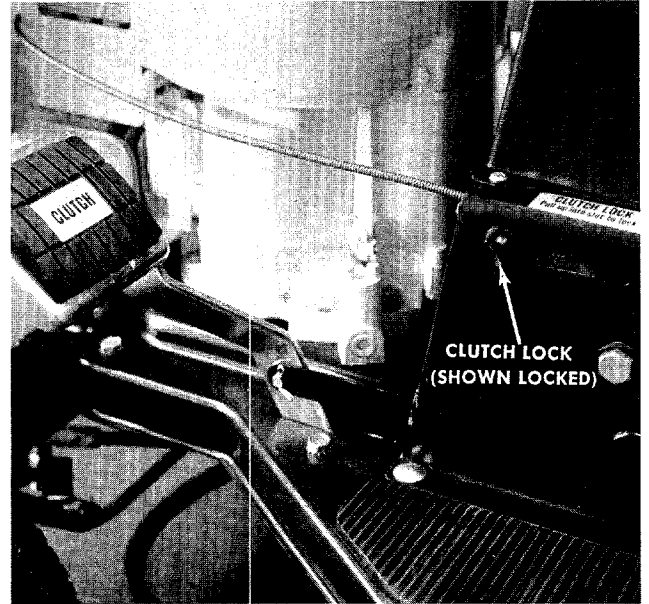


FIGURE 9. CLUTCH AND CLUTCH LOCK

GEAR SHIFT LEVER

Single Speed. The single speed transmission has three positions, FORWARD, NEUTRAL and REVERSE. The clutch pedal must be depressed to shift gears. It may be necessary to release the clutch pedal slightly to engage the gear shift lever in either forward or reverse. Do not force the shift lever. See figure 10.

STARTING INSTRUCTIONS	
• Lock-out clutch	• Turn key to on position
• Set throttle	• Pull rope to start engine
• Disengage blade	• Return rope to lock position

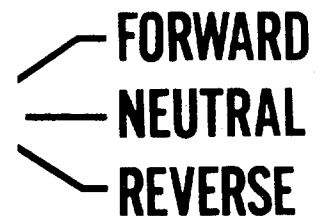


FIGURE 10. SINGLE SPEED TRANSMISSION

Four Speed. The four speed transmission has four forward speeds, neutral and reverse. The clutch pedal must be depressed to shift gears. It may be necessary to release the clutch pedal slightly to shift the gear shift lever. Do not force the shift lever.

- 1st Gear—Heavy Cutting
- 2nd Gear—Medium Cutting
- 3rd Gear—Medium Cutting
- 4th Gear—Light Cutting or Travel Gear
- N—Neutral
- R—Reverse

See figures 7 and 11.

STARTING INSTRUCTIONS

- Lock-out clutch
- Turn key to on position
- Set throttle
- Pull rope to start
- Disengage blade
- Return rope handle to lock

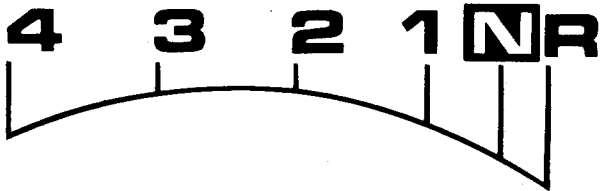


FIGURE 11. FOUR SPEED TRANSMISSIONS

RECOIL STARTER HANDLE

The recoil starter handle is located on the right side of the dashboard. The recoil starter handle can either be pulled while seated on the rider or pulled while standing behind the rider. The ignition key must be on before the engine will start. After the engine starts, the recoil starter handle must be returned and locked into the dashboard before the blade or clutch are engaged. The engine will stop if you do not follow these instructions. See figure 12.

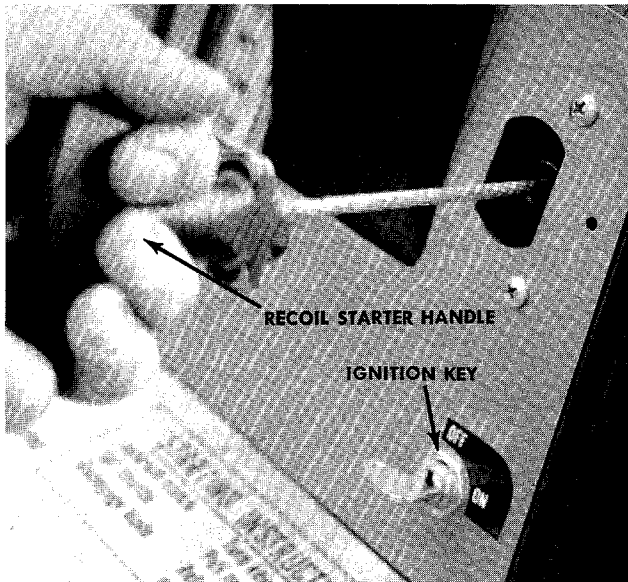


FIGURE 12. RECOIL STARTER

LIFT AND DISENGAGEMENT LEVER

It is used to raise the cutting deck. Pulling it all the way back and locking it disengages the blade.

NOTE

The engine will not start unless the lift and disengagement lever is in the disengaged position. See figure 13.

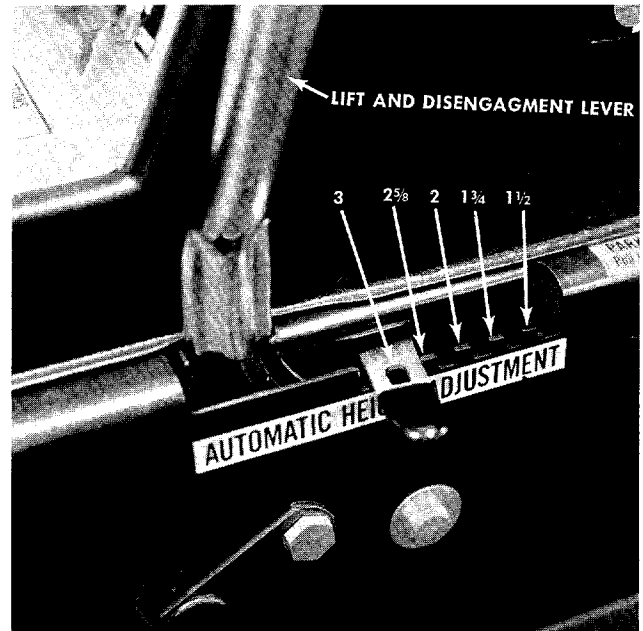


FIGURE 13. HEIGHT OF CUT SETTINGS
CUTTING CONTROLS

The cutting controls consist of the height of cut stop and the wheel height adjusters.

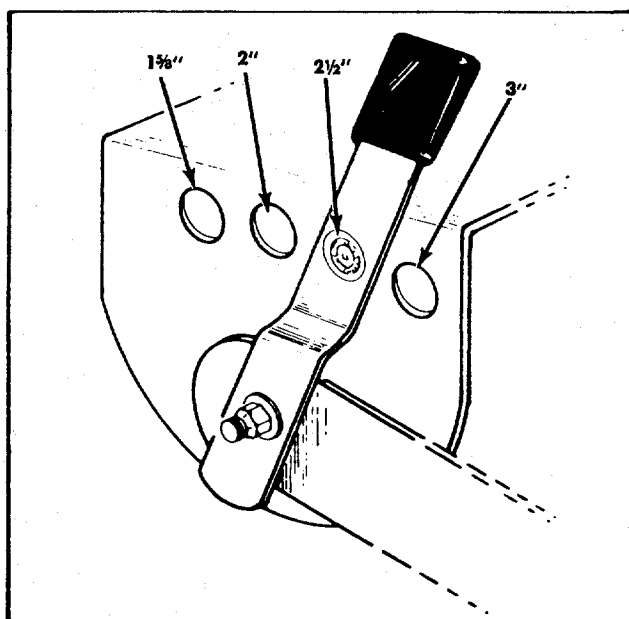
Height Of Cut Stop. See figure 13. Lift the stop and set it at the desired cutting height. Allow the lift and disengagement lever to come forward to rest against the height of cut stop.

Wheel Height Adjuster. 25-inch cut. Remove the axle bolt and place it in the desired cutting position. See figure 14. Both wheels must be in the same relative position.



FIGURE 14. WHEEL HEIGHT ADJUSTER—25" DECK

Wheel Height Adjuster. 30-inch cut. Move the lever towards the wheel and set it in the desired cutting height position. See figure 15. Both wheels must be in the same relative position.



**FIGURE 15. WHEEL HEIGHT ADJUSTER
SETTING THE CUTTING HEIGHT**

The cutting height of the mower can be set in two different ways: Full Float position where the deck follows the contour of the ground, and the Suspended position where the deck hangs from the frame of the rider. The suspended position is normally used for cutting rough uneven ground.

To set the cutting deck in the full float position: set the wheel height adjusters in the desired cutting height as indicated in figures 14 or 15. Set height of cut stop in the 1 1/2 position. See figure 13.

To set the cutting deck in the suspended position: set the height of cut stop in the desired cutting height and then set the deck wheel so they just clear the ground.

OPERATING INSTRUCTIONS

CAUTION

1. Keep all shields and guards in place.
2. Before leaving operator's position:
 - Shift controls into neutral
 - Set parking brake
 - Disengage attachment drive
 - Shut off engine
 - Remove ignition key
3. Wait for all movement to stop before servicing machine.
4. Keep people and pets a safe distance away from machine.

STARTING THE ENGINE

1. Be sure the crankcase is filled with oil as recommended in the engine manual and put regular gasoline in the gasoline tank.
2. If your engine is equipped with a fuel shut off valve, be sure it is open.

3. Attach the wire to the spark plug.
4. Depress the clutch pedal and lock it down with the speed control lever.
5. Move the lift and disengagement lever backward to the disengaged position and lock it.
6. Set the throttle control lever in the CHOKE position.
7. **Recoil Model.** Turn the ignition key to the ON position, twist the recoil starter handle until it is free and pull it with a quick steady motion. After the engine starts, return the recoil starter handle and twist it until it locks. See figures 12 and 16.

NOTE

If you do not do this the engine will quit running as soon as you engage the clutch or blades.

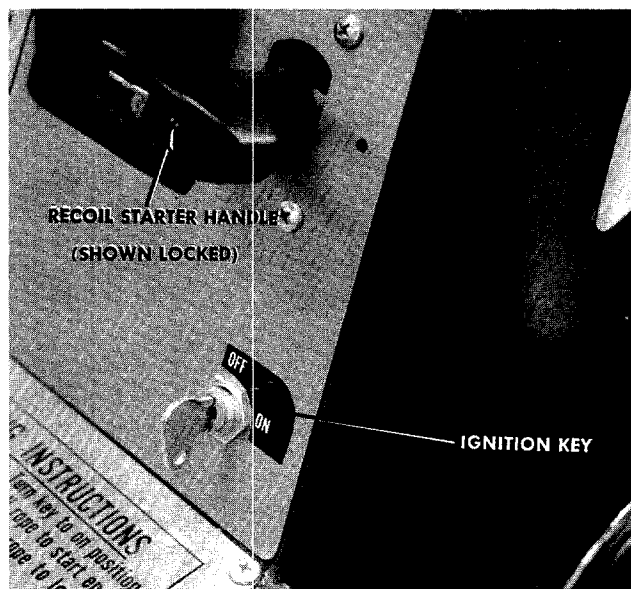


FIGURE 16. RECOIL STARTER

Electric Start Model. Turn the ignition key to the START position. As soon as the engine starts let the key return to the ON position. See figure 7.

Slowly return the throttle to the running position as soon as the engine starts.

8. To stop either model, turn the ignition key to the OFF position and remove the key when the rider is not in use.

PUTTING THE RIDER IN MOTION

1. Advance the throttle control from 3/4 to full throttle to prevent strain on the engine and to operate the cutting blades.
2. Depress the clutch pedal so the clutch lock releases.
3. Place the gear shift lever in the FORWARD position on the single speed unit and in number 1 position on the four speed unit.
4. Slowly release the clutch pedal.
5. To stop the rider, depress the clutch pedal and the brake pedal.
6. The blade can be engaged either while moving or while standing still. Move the lift and disengagement lever forward slowly until the blade is running.

NOTE

As you become more familiar with the four speed transmission, stop the unit and shift into a higher gear.

STOPPING

Engine—Turn the ignition key to the left to the OFF position.

Rider—Depress the clutch and brake pedals.

Blades—Move the lift and disengagement lever all the way to the rear and lock it.

MAINTENANCE

CRANKCASE OIL

To ensure maximum engine performance, perform the following periodic maintenance:

Check oil level before starting engine and after every 5 hours of operation. Be sure oil level is maintained to FULL POINT OF OVERFLOWING or to FULL MARK on dipstick.

Change Oil after first 5 hours of operation. Thereafter change oil every 25 hours of operation. Remove oil drain plug and drain oil while engine is warm. Replace drain plug. Remove dipstick or oil filler plug and refill with new oil of proper grade. Replace dipstick or plug.

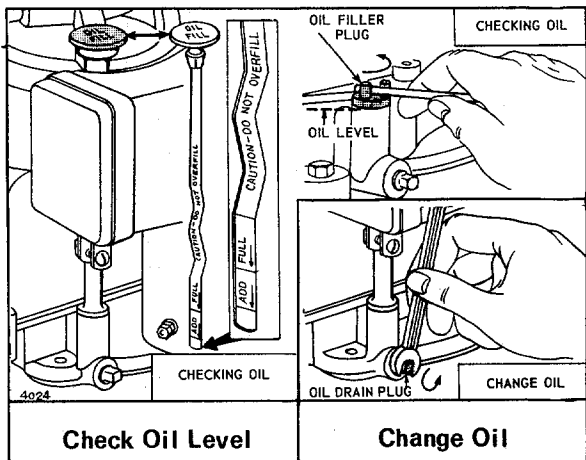


FIGURE 17. CHECKING OIL

MOWER DECK

The underside of the mower deck should be cleaned after each period of use as grass clippings, leaves, dirt and other matter will accumulate. This accumulation of grass clippings, etc., is undesirable as it will invite rust and corrosion and may cause an uneven discharge of grass clippings at the next mowing.

The deck may be cleaned by tilting the mower on its rear wheels. Scrape clean with a suitable tool or by washing with a stream of water from a garden hose.

Be sure to disconnect the spark plug wire and ground it while performing this maintenance.

BLADES

WARNING

Disconnect the spark plug wire and remove the ignition key before removing the blades.

Sharp and balanced blades are essential for efficient mowing and long mower and engine life. When sharpening blades, file equal amounts of metal from each side. The blades should be balanced before they are reinstalled. An unbalanced blade will cause excessive vibration and undue wear on the mower and the engine. When reassembling, all parts must be installed in the proper order and fastened securely.

Remove the $\frac{3}{8}$ " bolt and lockwasher. Pull the blade and adapter off the mower deck. To remove the adapter from the blade, remove the two $\frac{5}{16}$ " bolts, lockwashers and nuts. See figure 18.

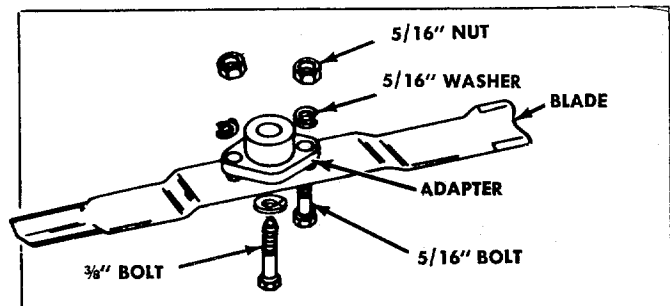


FIGURE 18. BLADE REMOVAL

BRAKE ADJUSTMENT See figure 19.

To adjust the brake tighten the locknut one half turn and then test the brakes. After attaining the proper adjustment, replace the cotter pin. The brake is located by the right rear wheel inside the frame.

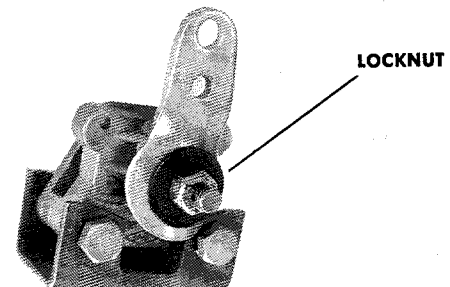


FIGURE 19. BRAKE ADJUSTMENT

CHAIN ADJUSTMENT

After the first five hours of operation the initial slack should be removed from the chain. The chain should be tight enough so that it deflects approximately $\frac{1}{2}$ " when it is depressed with the thumb.

To tighten the chain, loosen the two locking nuts on each side of the rear axle.

Tighten the adjusting nuts until you have the proper chain tension.

Tighten the locking nuts on the rear axle. See figure 20.

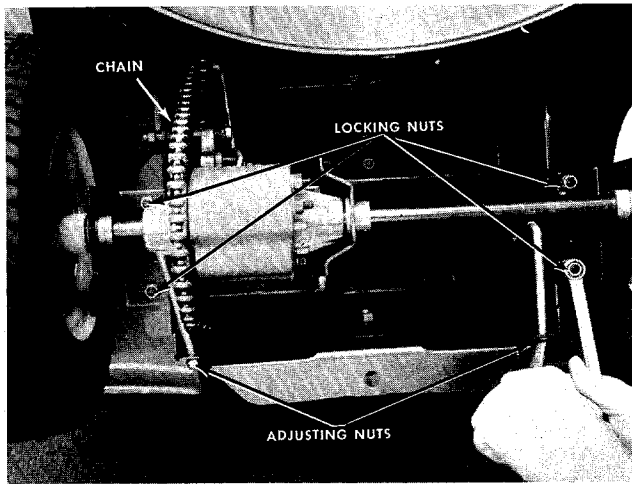


FIGURE 20. CHAIN ADJUSTMENT LUBRICATION

Lubricate the following points with SAE 30 non-detergent engine oil.

- Front Wheel Bearings, figure 21.
- King Pin Bearings, figure 21.
- Rear Axle Bearings, figure 22.
- Steering Shaft, figure 23.

Lubricate the steering gears with an automotive multi-purpose type grease. See figure 23.



FIGURE 21. FRONT WHEEL BEARINGS

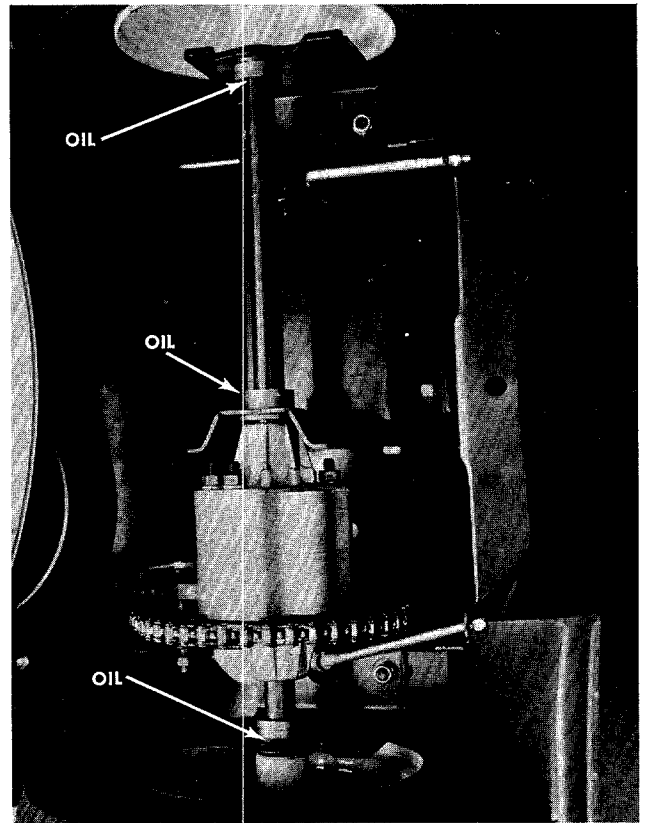


FIGURE 22. REAR AXLE

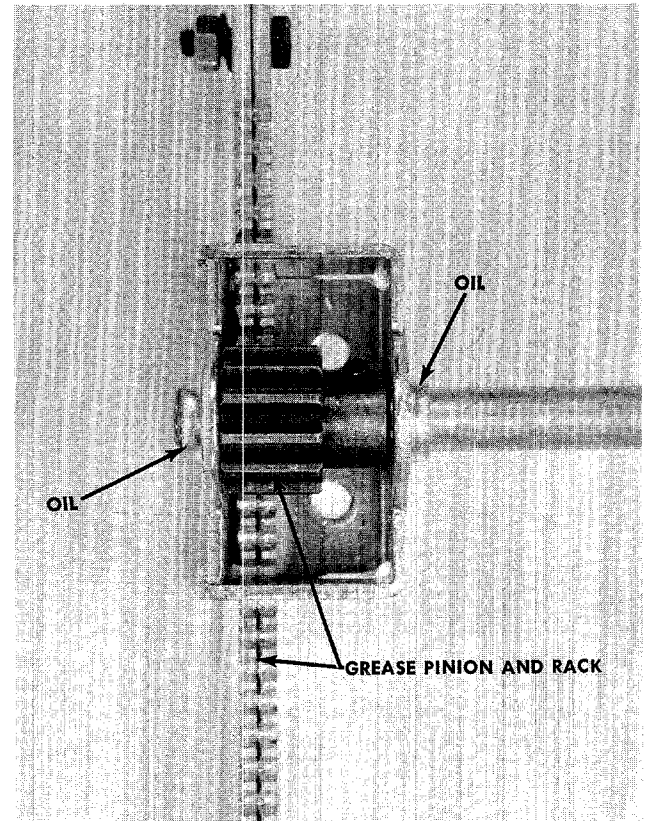


FIGURE 23. STEERING GEAR

BELT REMOVAL (Blade or Transmission Belt)

- Step 1. Place the lift and disengagement lever in the disengaged position. See figure 13.
- Step 2. Remove the belt keeper and shoulder bolt next to the engine pulley. See figure 24.

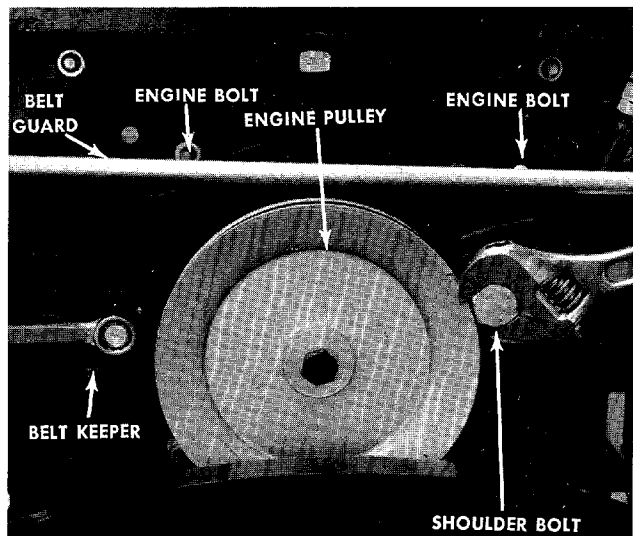


FIGURE 24. ENGINE PULLEY

- Step 3. Remove the blade belt from the engine pulley.
- Step 4. Engage the Lift and Disengagement Lever.
- Step 5. Remove the tension springs on the rear of the deck.
- Step 6. Remove the six pins holding the deck to the frame. See figure 25.
- Step 7. Remove the deck and set it aside.
- Step 8. **Removing the blade belt 25" models.** See figure 26.
- Remove the shoulder bolt from the deck.
 - Remove both belt keepers.
 - Remove and replace the belt.

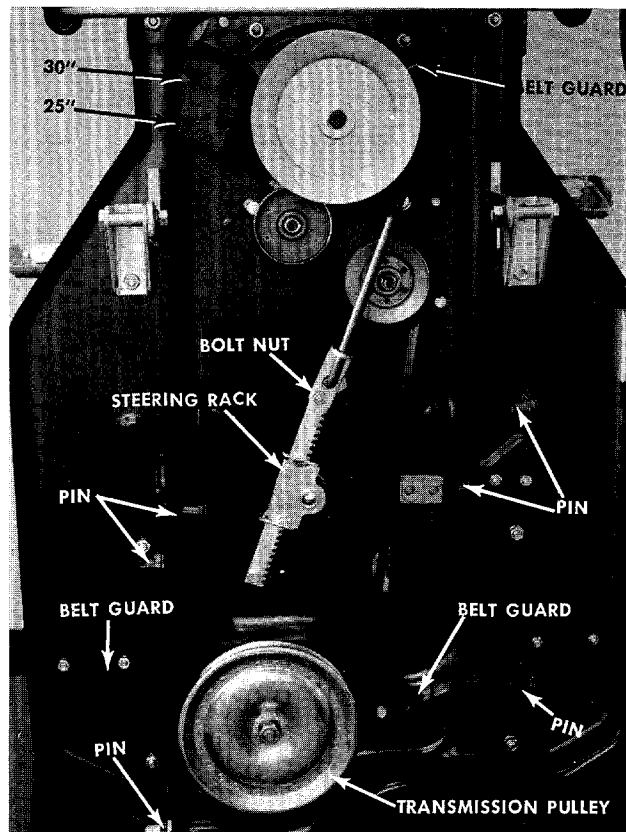


FIGURE 25. BOTTOM VIEW

NOTE

By working between the frame and the deck, it is possible to remove and replace the deck belt without removing the deck, however, the working space is limited.

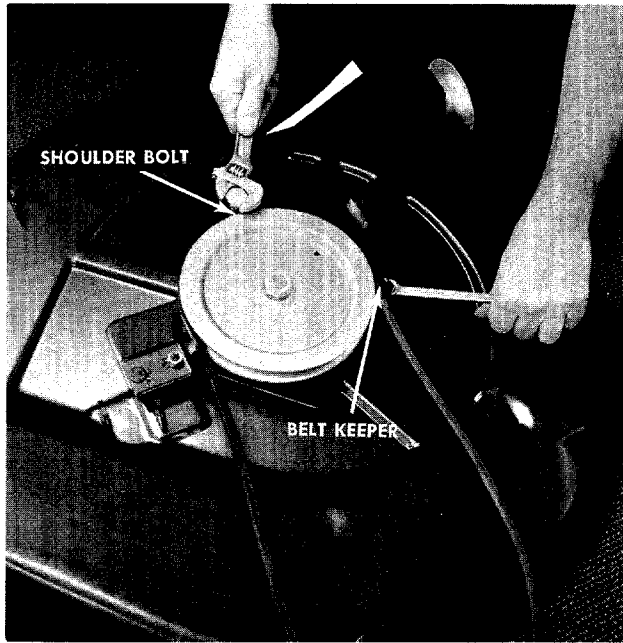


FIGURE 26. 25" DECK

Removing the blade belt 30" models. See figure 27.

- a. Take off both belt guards by removing the two bolts and nuts holding the belt guards to the deck.
- b. Remove and replace the belt.

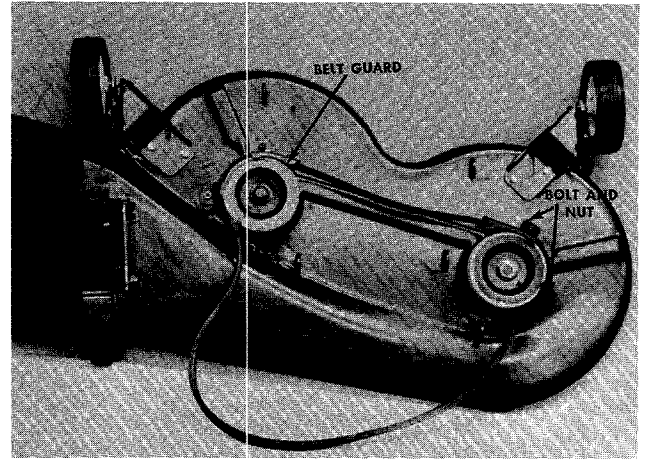


FIGURE 27. 30" DECK

Step 9. Removing the transmission belt. See figures 24 and 25.

- a. Remove the entire belt guard from the engine pulley by removing the two front engine bolts. See figures 24 and 25.
- b. Remove the two belt guards from the transmission pulley. See figure 25.
- c. Remove the bolt and nut from the steering rack and remove the belt.
- d. Reassemble in reverse order with the new belt.

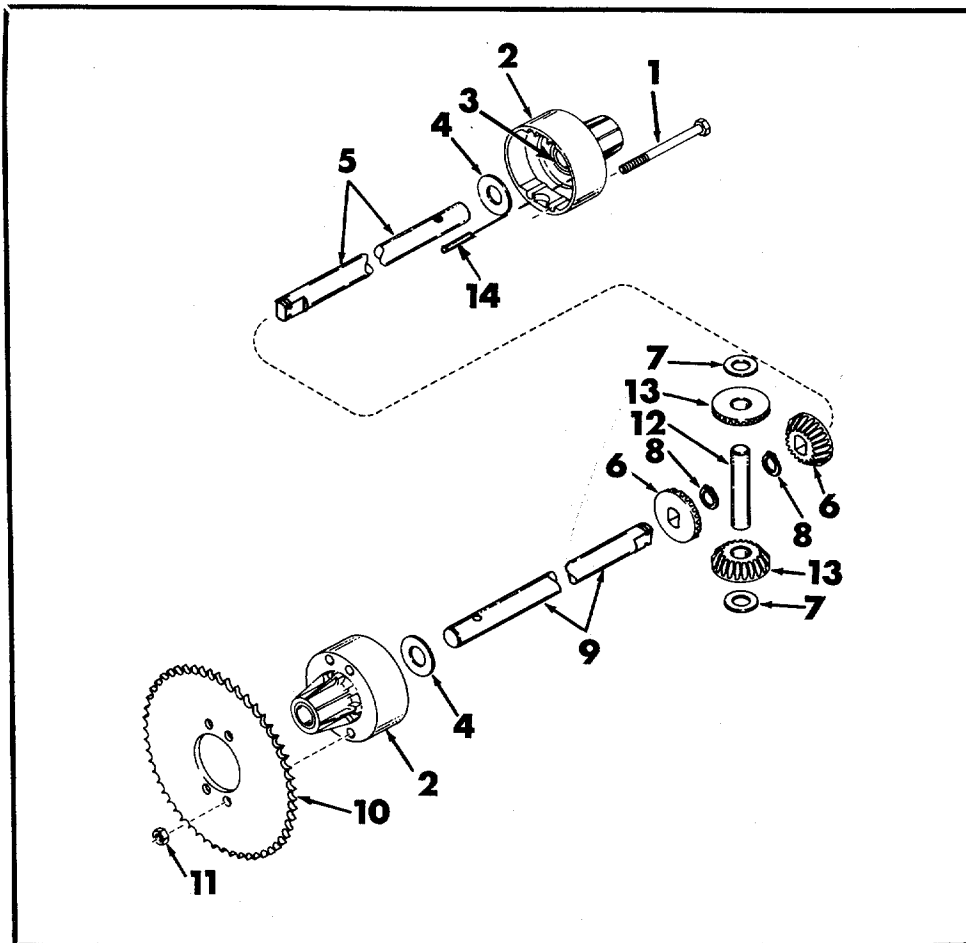


FIGURE 28. DIFFERENTIAL ASSEMBLY PART NUMBER 717-221

PARTS LIST FOR FIGURE 28. DIFFERENTIAL PART NUMBER 717-221

Ref. No.	Part No.	Description
1	710-363	Hex Head Cap Screw 5/16-24 x 4" Lg.*
2	719-150	Differential Housing
3	748-169	Sleeve Bearing
4	736-188	Washer
5	738-158	Shaft—Long
6	748-185	Miter Gear Double "D" Hole
7	736-187	Flat Washer
8	716-101	Truarc Snap Ring
9	738-157	Shaft—Short
10	9054	Sprocket
11	712-237	Hex Centerlock Nut 5/16-24 thd.*
12	711-276	Drive Pin
13	748-158	Miter Gear Round Hole
14	715-123	Dowell Pin

*For faster service obtain standard nuts, bolts, and washers locally. If these items cannot be obtained locally, order by part number and size as shown on the parts list.

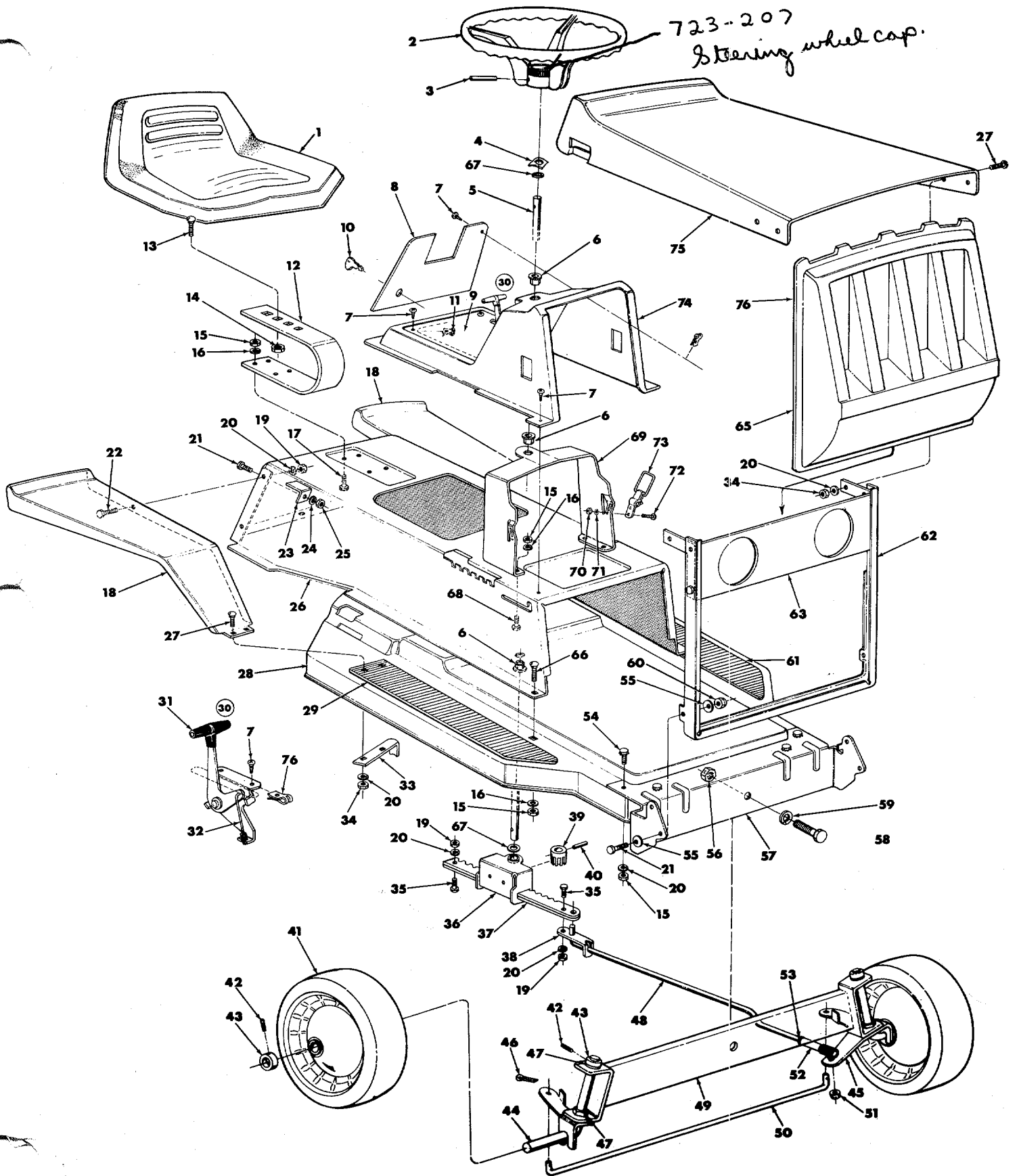


FIGURE 29. MAIN BODY ALL UNITS

PARTS LIST FOR FIGURE 29.

Ref. No.	Part No.	Description	Ref. No.	Part No.	Description
1	757-225	Seat Assembly	39	748-203	12 Tooth Spur Gear
2	723-288	Steering Wheel	40	715-120	Spring Pin 3/16 x 1 Lg.*
3	715-130	Spring Pin 3/16 x 2"	41	734-412	Wheel Assembly, 10.25 x 3.25 Semi-Pneumatic
4	712-247	Push Nut 1/2" Dia.		748-146	Bearing for 734-412 Wheel Assembly
5	310-11051	Steering Shaft		734-423	Wheel Assembly 4.10/3.50 x 4 Pneumatic
6	748-228	Hex Flange Bearing		734-210	Tire 4.10/3.50 x 4
7	710-351	Truss Head Mach Scr. #10 x .50*		734-211	Tube 4.10/3.50 x 4 (For service only)
8	11076	Instrument Panel—Recoil Starter		9156	Hub for 734-423 Wheel Assembly
	11077	Instrument Panel—Electric Starter		712-798	Hex Nut for 9156 Hub <i>748-154 (Bearing)</i>
9	11079	Transmission Panel—Single Speed		736-169	Lockwasher for 9156 Hub
	735-143	Rubber Grommet—Single Speed	42	710-494	Sq. Head Set Scr. 5/16-18 x .38 Lg.*
	11089	Transmission Panel—Four Speed	43	711-169	Collar 3/8 I.D.
10	725-266	Ignition Switch—Recoil Starter	44	9095	Front Axle Assembly Right Hand
	725-128	Key Only—Recoil Starter	45	9098	Front Axle Assembly Left Hand
	725-267	Ignition Switch—Electric Starter	46	714-115	Cotter Pin 3/32 Dia. x .75 Lg.*
	725-201	Key Only—Electric Starter	47	748-227	Hex Flange Bearing
11	712-207	Speed Nut #10-24	48	711-547	Steering Rod
12	732-256	Seat Spring	49	11043	Pivot Bar Assembly
13	710-385	Carriage Bolt 1/2-13 x 1 Lg.*	50	11046	Tie Rod
14	712-384	Hex Centerlock Nut 1/2-13 Thd.*	51	712-116	Hex Locknut 3/8-24 Thd.*
15	712-267	Hex Nut 5/16-18 Thd.*	52	723-156	Ball Joint
16	736-119	Lockwasher 5/16"	53	712-711	Hex Jam Nut 3/8-24 Thd.*
17	710-322	Hex Sems Scr. 5/16-18 x 1 Lg.*	54	710-198	Hex Sems Scr. 5/16-18 x .75 Lg.*
18	11002	Rear Fender (R.H. and L.H.)	55	736-105	Belleville Washer
19	712-138	Hex Nut 1/-28 Thd.*	56	712-923	Hex Center Jam Nut 3/8-18 Thd.*
20	736-329	Lockwasher 1/4"	57	10496	Front Pivot Bracket
21	710-216	Hex Screw 3/8-16 x .75 Lg.*	58	710-312	Hex Scr. 3/8-18 x 1.31 Lg.*
22	710-195	Hex Screw 1/4-28 x .62 Lg.*	59	736-158	Lockwasher 3/8"
23	9963	Hitch Bracket	60	712-375	Hex Centerlock Nut 3/8-16 Thd.*
24	736-169	Lockwasher 3/8"	61	735-145	Foot Pad L.H.
25	712-798	Hex Nut 3/8-16 Thd.*	62	11006	Grille Frame
26	11001	Upper Frame	63	11007	Headlamp Bracket
27	710-255	Truss Head Mach. Scr. 1/4-20 x .75 Lg.*	64	710-286	Truss Head Mach. Scr. 1/4-20 x .50 Lg.*
28	11000	Frame	65	731-181	Grille
29	735-146	Foot Pad R.H.	66	710-451	Carriage Bolt 5/16-18 x .75 Lg.*
30	746-161	Throttle Control 7 & 8 HP B&S 5 & 8 HP Tec	67	736-192	Flat Washer*
	746-175	Throttle Control 5HP B & S	68	710-259	Hex Sems Scr. 5/16-18 x .62 Lg.*
31	722-111	Knob Only	69	11008	Steering Frame
32		Part of Throttle Control Ref. No. 30	70	712-112	Hex Nut #6-32*
33	11055	Transmission Belt Guard	71	736-207	External Lockwasher #6*
34	712-287	Hex Nut 1/4-20 Thd.*	72	710-147	Truss Head Mach. Scr. #6-32 x .38 Lg.*
35	710-412	Hex Screw 1/4-28 x .75 Lg.*	73	723-209	Hood Latch
36	11074	Steering Housing	74	731-179	Dash Panel
37	11048	Steering Segment (2 per unit)	75	11005	Front Hood
38	11047	Steering Rod Bracket	76	712-344	Speed Nut #10Z

When ordering replacement tires include all the information on the side wall of the tire such as the size and brand name, as shown on parts list.

*For faster service obtain standard nuts, bolts and washers locally. If these items cannot be obtained locally order by part number and size

- 312—White)
- 348—Black)
- 437—Red)
- 447—Silver)
- 488—Blue)

When ordering parts if color or finish is important, use the appropriate color code shown at the left. For example Ref. No. 18 437—11002 would be a red fender.

The engine is not under warranty by the mower manufacturer. If repairs or service is needed on the engine, please contact your nearest authorized engine service outlet. Check the "Yellow Pages" of your telephone book under "Engines—Gasoline."



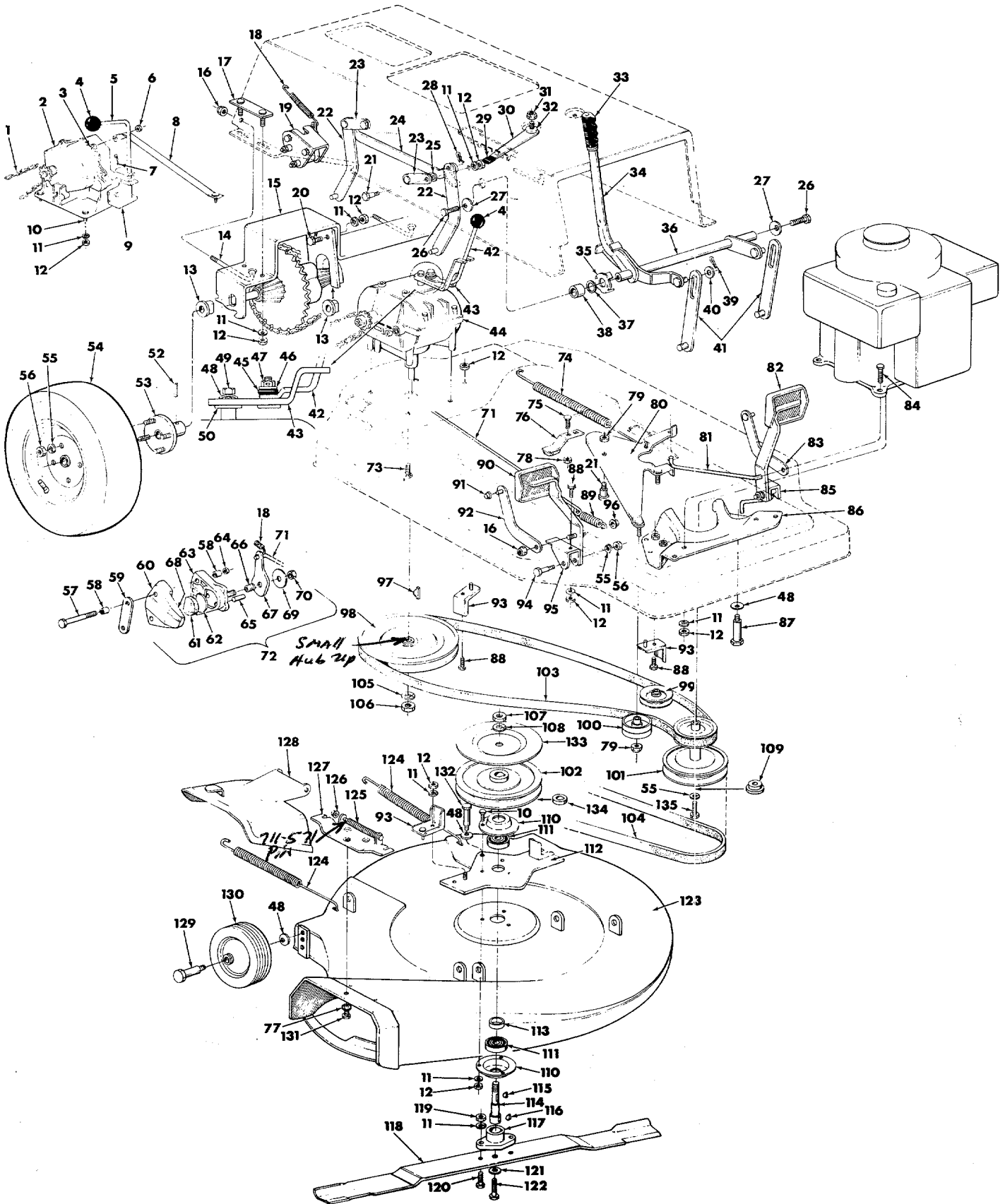


FIGURE 30. CUTTING ASSEMBLY 25"

PARTS LIST FOR FIGURE 30-25" CUTTING DECK

REF. NO.	PART NO.	DESCRIPTION	REF. NO.	PART NO.	DESCRIPTION
1	713-161	Chain #41 1/2 x 73 Links—Single Speed	66	06-1029-0000	Spring
	713-723	Master Link #41 Chain	67	18-1687-0000	Cam Lever
2	717-222	Single Speed Transmission	68	15-1154-1049	Friction Pad .450 Thick
3	710-412	Hex Head Screw 1/4-28 x 3/4 Lg.*	69	03-1030-0000	Washer
4	722-115	Knob	70	02-1011-0000	Hex Locknut
5	11080	Shift Lever	71	747-107	Brake Rod
6	712-138	Hex Nut 1/4-28 Thd.*	72	761-130	Disc Brake Assembly
7	714-474	Cotter Pin 1/8 x 3/4 Lg.*	73	710-198	Sems Screw 5/16-18 x 3/4 Lg.*
8	10396	Support Bracket	74	732-191	Spring
9	11013	Shaft Pivot Bracket	75	712-134	Carriage Bolt 1/4-20 x .62 Lg.*
10	710-322	Hex Sems Screw 5/16-18 x 1 Lg.*	76	761-148	Blade Brake
11	736-119	Lockwasher 5/16*	77	736-329	Lockwasher 1/4*
12	712-267	Hex Nut 5/16-18 Thd.*	78	712-287	Hex Nut 1/4-20 Thd.*
13	748-151	Flange Bearing	79	712-116	Locknut 3/8-24 Thd.*
14	710-437	Chain Adjustment Link	80	11059	Idler Bracket Assembly
15	11009	Rear Axle Bracket	81	11061	Clutch Rod
16	712-429	Hex Elastic Locknut 5/16-18 Thd.*	82	11037	Clutch Pedal
17	10360	Axle Plate		10614	Pad Only
18	732-157	Spring	83	11057	Clutch Lock
19	11011	Disc Brake Bracket	84	710-442	Hex Screw 5/16-18 x 1 1/2 Lg.*
20	710-189	Hex Sems Screw 5/16-18 x .75 Lg.*	85	11755	Pedal Bracket L.H.
21	738-140	Shoulder Screw	86	10480	Engine Belt Guard Assembly
22	11023	Deck Link	87	738-117	Shoulder Bolt
23	9721	Pivot Link	88	710-259	Hex Sems Screw 5/16-18 x .62 Lg.*
24	11014	Connect Link	89	732-245	Brake Spring
25	736-159	Flat Washer	90	11036	Brake Pedal
26	710-201	Hex Screw 3/8-16 x .62 Lg.*		10614	Pad Only
27	736-105	Belleville Washer	91	726-121	Push Cap
28	714-101	Cotter Hairpin	92	11056	Brake Lock
29	11249	Height Adjustment Knob	93	10426	Belt Keeper
30	11027	Handle Stop Bracket	94	738-213	Shoulder Bolt
31	712-429	Hex Elastic Nut 5/16-18 Thd.*	95	11039	Pedal Bracket
32	735-126	Rubber Washer	96	726-100	Push Cap
33	8118	Grip	97	714-129	Hi Pro Key #4 3/32 x 5/8*
34	11030	Lift Handle	98	756-175	Transmission Pulley
35	11029	Handle Pivot Bracket	99	756-116	V-Idler
36	11032	Lift Handle Bracket	100	756-178	Flat Idler
37	736-233	Wave Washer	101	756-173	Two Step Engine Pulley
38	748-201	Spacer	102	756-143	Deck Pulley
39	714-115	Cotter Pin 1/8 x 1 Lg.*	103	754-164	V-Belt 1/2 x 63 Lg.*
40	736-192	Flat Washer*	104	754-138	V-Belt 21/32 x 50 Lg.*
41	11025	Lockout Links	105	736-921	Lockwasher 1/2"
42	11545	Shift Lever	106	712-922	Hex Jam Nut 1/2-20 Thd.*
43	11546	Shift Lever Bracket	107	712-923	Hex Centerlock Nut 5/8-18 Thd.*
44	717-233	Four Speed Transmission	108	736-158	Lockwasher 5/8*
45	735-126	Rubber Washer	109	711-572	Step Washer for Engine Pulley
46	736-159	Flat Washer*	110	8253	Housing for Bearing
47	712-158	Hex Centerlock Nut 5/16-18 Thd.*	111	741-919	Ball Bearing .787 ID x 1.85 x .551
48	736-105	Belleville Washer	112	11541	Belt Guard Housing
49	710-237	Hex Screw 5/16-24 x .62 Lg.*	113	750-142	Spacer
50	717-234	Hardened Washer	114	711-405	Blade Spindle Shaft
51	713-104	Chain #41 1/2 C 65 Links—Four Speed	115	714-388	Hi Pro Key #61 3/16 x 5/8*
	713-723	Master Link #41 Chain	116	714-365	Hi Pro Key #6 5/32 x 5/8*
52	715-107	Spring Pin 5/16 x 1.38 Lg.	117	748-189	Blade Adapter
53	9714	Rear Hub	118	742-127	25" Blade
54	10109	Wheel Assembly 12.5 x 4.50-6 (25" deck)	119	712-123	Hex Nut 5/16-24 Thd.*
	734-298	Tire 12.5 x 4.50-6	120	710-117	Hex Screw 5/16-24 x 1 Lg. (Heat Treated)
	734-219	Tube 12.5 x 4.50-6 (For service only)	121	736-217	Lockwasher 3/8 Heavy Duty
	10108	Rim Only for 10109 Wheel Assembly	122	710-459	Hex Screw 3/8-24 x 1.5 Lg. (Heat Treated)
	734-255	Valve Stem	123	11083 / 91	Deck Assembly
55	736-169	Lockwasher 3/8*	124	732-153	Deck Spring
56	712-798	Hex Nut 3/8-16 Thd.*	125	732-261	Torsion Spring
57	710-176	Hex Screw 5/16-18 x 2.75 Lg.*	126	726-105	Push Nut
58	761-133	Spacer	127	11399	Adapter Assembly
59	11010	Brake Plate	128	11571	Chute Cover
60	12-1329-0000	Castling Carrier Side	129	738-119	Axle Bolt
61	15-1154-1079	Friction Pad .250 Thick	130	734-295	Wheel Assembly 5"
62	03-1345-0000	Disc Backup	131	710-195	Hex Screw 1/4-28 x .62 Lg.*
63	12-1984-0007	Castling Cam Side	132	738-129	Shoulder Screw
64	712-158	Hex Locknut*	133	11073	Brake Disc
65	65-1093-0000	Push Pin	134	748-168	Spacer
	HH-05-03034		135	710-151	Hex Head Screw 3/8-24 x 2 Lg.*

When ordering replacement tires include all the information on the side wall of the tire such as the size and brand name as shown on parts list.

*For faster service obtain standard nuts, bolts and washers locally. If these items cannot be obtained locally order by part number and size

437—Red)
 312—White) 447—Silver) When ordering parts if color or finish is important, use the appropriate color code shown at the left. For
 348—Black) 488—Blue) example Ref. No. 18 437—11002 would be a red fender.

The engine is not under warranty by the mower manufacturer. If repair or service is needed on the engine, please contact your nearest authorized engine service outlet. Check the "Yellow Pages" of your telephone book under "Engine—Gasoline."



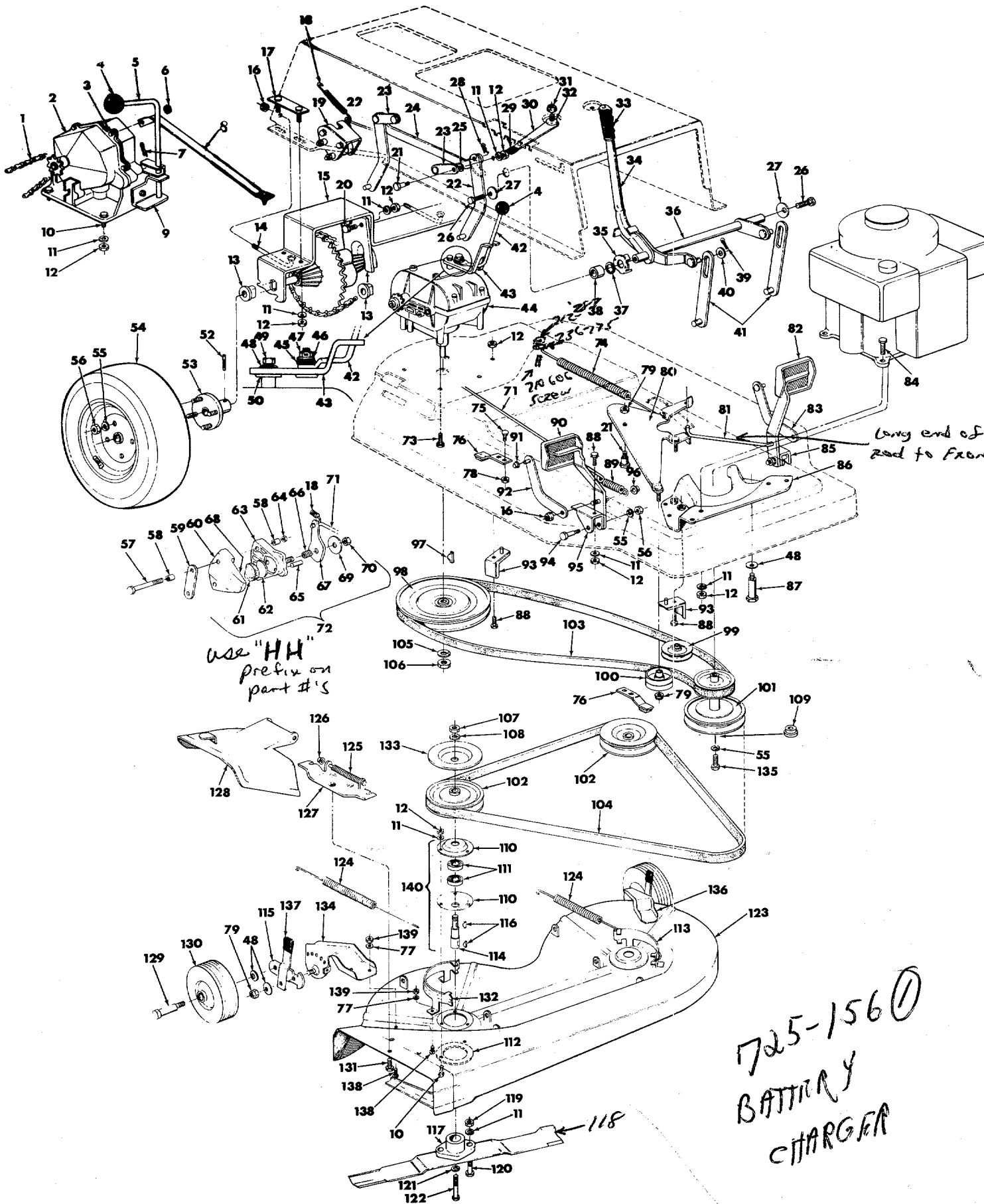


FIGURE 31. CUTTING ASSEMBLY-30"

PARTS LIST FOR FIGURE 31-30" CUTTING DECK

REF. NO.	PART NO.	DESCRIPTION	REF. NO.	PART NO.	DESCRIPTION
1	713-161	Chain #41 1/2 x 73 Links—Single Speed	70	02-1011-0000	Hex Locknut
	713-723	Master Link #41 Chain	71	747-107	Brake Rod
2	717-222	Single Speed Transmission	72	761-130	Disc Brake Assembly
3	710-412	Hex Head Screw 1/4-28 x 3/4 Lg.*	73	710-198	Sems Screw 5/16-18 x 3/4 Lg.*
4	722-115	Knob	74	732-191	Spring
5	11080	Shift Lever	75	712-134	Carriage Bolt 1/4-20 x .62 Lg.*
6	712-138	Hex Nut 1/4-28 Thd.*	76	761-147	Blade Brake
7	714-474	Cotter Pin 1/8 x 3/4 Lg.*	77	736-329	Lockwasher 1/4"
8	10396	Support Bracket	78	712-287	Hex Nut 1/4-20 Thd.*
9	11013	Shaft Pivot Bracket	79	712-116	Locknut 3/8-24 Thd.*
10	710-322	Hex Sems Screw 5/16-18 x 1 Lg.*	80	11059	Idler Bracket Assembly
11	736-119	Lockwasher 5/16"	81	11061	Clutch Rod
12	712-267	Hex Nut 5/16-18 Thd.*	82	11037	Clutch Pedal
13	748-151	Flange Bearing		10614	Pad Only
14	710-437	Chain Adjustment Link	83	11057	Clutch Lock
15	11009	Rear Axle Bracket	84	710-442	Hex Screw 5/16-18 x 1 1/2 Lg.*
16	712-429	Hex Elastic Locknut 5/16-18 Thd.*	85	11039	Pedal Bracket
17	10360	Axle Plate	86	10480	Engine Belt Guard Assembly
18	732-157	Spring	87	738-117	Shoulder Bolt
19	11011	Disc Brake Bracket	88	710-259	Hex Sems Screw 5/16-18 x .62 Lg.*
20	710-189	Hex Sems Screw 5/16-18 x .75 Lg.*	89	732-245	Brake Spring
21	738-140	Shoulder Screw	90	11036	Brake Pedal
22	11023	Deck Link		10614	Pad Only
23	9721	Pivot Link	91	726-121	Push Cap
24	11014	Connect Link	92	11056	Brake Lock
25	736-159	Flat Washer	93	10426	Belt Keeper
26	710-201	Hex Screw 3/8-16 x .62 Lg.*	94	738-213	Shoulder Bolt
27	736-105	Belleville Washer	95	11039	Pedal Bracket
28	714-101	Cotter Hairpin	96	726-100	Push Cap
29	11249	Height Adjustment Knob	97	714-129	Hi Pro Key #4 3/32 x 5/8"
30	11027	Handle Stop Bracket	98	756-175	Transmission Pulley
31	712-429	Hex Elastic Nut 5/16-18 Thd.*	99	756-116	V-Idler
32	735 126	Rubber Washer	100	756-178	Flat Idler
33	8118	Grip	101	756-173	Two Step Engine Pulley
34	11030	Lift Handle	102	756-124	Deck Pulley
35	11029	Handle Pivot Bracket	103	754-164	V-Belt 1/2 x 63 Lg.*
36	11032	Lift Handle Bracket	104	754-167	V-Belt 21/32 x 64 Lg.*
37	736-233	Wave Washer	105	736-921	Lockwasher 1/2"
38	748-201	Spacer	106	712-922	Hex Jam Nut 1/2-20 Thd.*
39	714-115	Cotter Pin 1/8 x 1 Lg.*	107	712-923	Hex Centerlock Nut 5/16-18 Thd.*
40	736-192	Flat Washer*	108	736-158	Lockwasher 3/8"
41	11025	Lockout Links	109	711-572	Step Washer for Engine Pulley
42	11548	Shift Lever	110	8253	Housing for Bearing
43	11546	Shift Lever Bracket	111	741-919	Ball Bearing .787 ID x 1.85 x .551
44	717-233	Four Speed Transmission	112	9164	Deck Reinforcement Plate
45	735-126	Rubber Washer	113	10071	Belt Guard L.H.
46	736-159	Flat Washer*	114	711-255	Blade Spindle Shaft
47	712-158	Hex Centerlock Nut 5/16-18 Thd.*	115	10937	Wheel Pivot Bar
48	736-105	Belleville Washer	116	714-365	Hi Pro Key #6 5/32 x 5/8"
49	710-237	Hex Screw 5/16-24 x .62 Lg.*	117	748-189	Blade Adapter
50	717-234	Hardened Washer	118	742-118	15" Blade
51	713-104	Chain #41 1/2 C 65 Links—Four Speed	119	712-123	Hex Nut 5/16-24 Thd.*
	713-723	Master Link #41 Chain	120	710-117	Hex Screw 5/16-24 x 1 Lg. (Heat Treated)
52	715-107	Spring Pin 5/16 x 1.38 Lg.	121	736-217	Lockwasher 3/8 Heavy Duty
53	9714	Rear Hub	122	710-459	Hex Screw 3/8-24 x 1.5 Lg. (Heat Treated)
54	734-426	Wheel Assembly 14 x 5.50-6 (30" deck)	123	11388	Deck Assembly
	734-427	Tire 14 x 5.50-6	24	732-153	Deck Spring
	10108	Rim Only for 734-426 Wheel Assembly	125	732-261	Torsion Spring
	734-255	Valve Stem	126	726-105	Push Nut
55	736-169	Lockwasher 3/8"	127	11399	Adapter Assembly
56	712-798	Hex Nut 3/8-16 Thd.*	128	11571	Chute Cover
57	710-176	Hex Screw 5/16-18 x 2.75 Lg.*	129	738-119	Axle Bolt
58	761-133	Spacer	130	734-225	Wheel Assembly 6"
59	11010	Brake Plate	131	710-195	Hex Screw 1/4-28 x .62 Lg.*
60	12-1329-0000	Castling Carrier Side	132	10072	Belt Guard R.H.
61	15-1154-1079	Friction Pad .250 Thick	133	9322	Brake Disc
62	03-1345-0000	Disc Backup	134	11236	Wheel Bracket R.H.
63	12-1984-0007	Castling Cam Side	135	710-151	Hex Screw 3/8-24 x 2 Lg.*
64	712-158	Hex Locknut*	136	11237	Wheel Bracket L.H.
65	05-1033-0000	Push Pin	137	10949	Spring Lever with Knob
66	06-1029-0000	Spring	138	710-289	Hex Screw 1/4-20 x .50 Lg.*
67	18-1687-0000	Cam Lever	139	712-287	Hex Nut 1/4-20 Thd.*
68	15-1154-1049	Friction Pad .450 Thick	140	9321	Blade Spindle Assembly Complete
69	03-1030-0000	Washer			

When ordering replacement tires include all the information on the side wall of the tire such as the size and brand name, as shown on parts list.

*For faster service obtain standard nuts, bolts and washers locally. If these items cannot be obtained locally order by part number and size

312—White) 437—Red)
 348—Black) 447—Silver) When ordering parts if color or finish is important, use the appropriate color code shown at the left. For
 488—Blue) example Ref. No. 18 437—11002 would be a red fender.

The engine is not under warranty by the mower manufacturer. If repair or service is needed on the engine, please contact your nearest authorized engine service outlet. Check the "Yellow Pages" of your telephone book under "Engine—Gasoline."



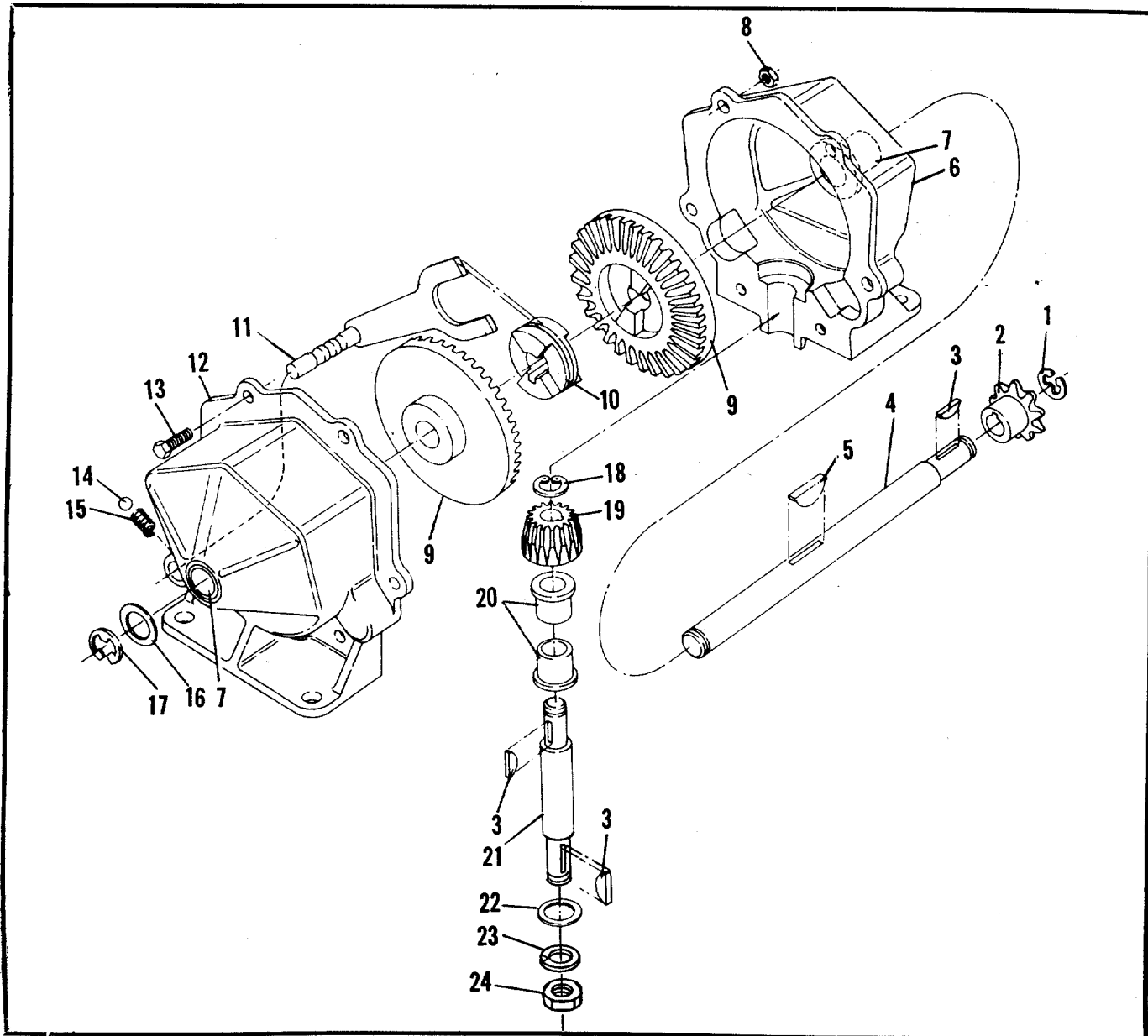


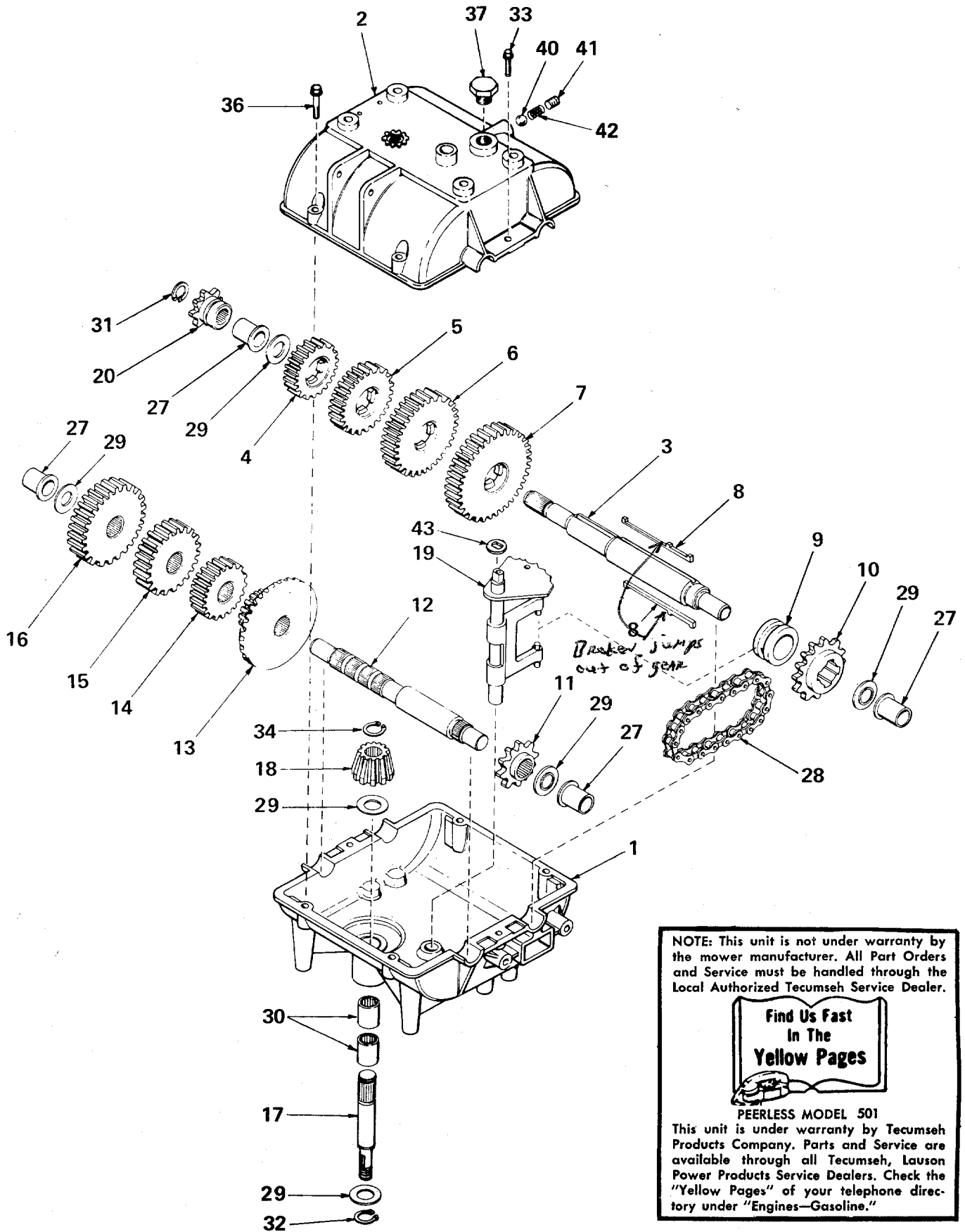
FIGURE 32. SINGLE SPEED TRANSMISSION PART NO. 717-222

PARTS LIST FOR FIGURE 32. SINGLE SPEED TRANSMISSION PART NO. 717-222

Ref. No.	Part No.	Description	Ref. No.	Part No.	Description
1	716-104	Snap Ring	13	710-195	Hex. Hd. Cap Scr. ¼-28 x .62*
2	748-204	Sprocket 8T #41	14	741-862	Detent Ball
3	714-129	Key Hi-Pro #4	15	732-863	Detent Spring
4	711-854	Shaft Output	16	736-116	Washer
5	712-126	Key Hi-Pro #606 (Hardened)	17	716-106	E-ring
6	717-123	Housing Half	18	716-865	Snap Ring #3100-50
7	748-855	Bearing	19	748-866	Bevel Pinion
8	712-117	Locknut ¼-28 Thd.*	20	748-867	Bearing
9	748-856	Bevel Gear	21	738-159	Pinion Shaft
10	748-857	Clutch Collar	22	736-192	Washer
11	310-8583	Detent Shaft Assembly	23	736-921	Lockwasher ½"
12	717-124	Housing Half with Detent Hole	24	712-922	Hex. Jam Nut ½-20 Thd.*

*For faster service obtain standard nuts, bolts, and washers locally. If these items cannot be obtained locally, order by part number and size as shown on the parts list.

REVERSING TRANSMISSION (PEERLESS 501)



NOTE: This unit is not under warranty by the mower manufacturer. All Part Orders and Service must be handled through the Local Authorized Tecumseh Service Dealer.



PEERLESS MODEL 501
This unit is under warranty by Tecumseh Products Company. Parts and Service are available through all Tecumseh, Lauson Power Products Service Dealers. Check the "Yellow Pages" of your telephone directory under "Engines—Gasoline."

FIGURE 33. FOUR SPEED TRANSMISSION PART NO. 717-233

PARTS LIST FOR FIGURE 33 FOUR SPEED TRANSMISSION

Ref. No.	Part No.	Description
1	770061	Case, Transmission
2	772070	Cover, Transmission
3	776139	Shaft, Output and Brake
4	778105	Gear, Spur (20 teeth)
5	778106	Gear, Spur (25 teeth)
6	778107	Gear, Spur (30 teeth)
7	778108	Gear, Spur (35 teeth)
8	792071	Key
9	784216	Collar, Shift
10	786060	Sprocket (14 teeth)
11	786061	Sprocket (10 teeth)
12	776134	Shaft, Counter
13	778109	Gear, Bevel (42 tooth & 15 tooth spur gear)
14	778110	Gear, Spur (20 teeth)
15	778111	Gear, Spur (25 teeth)
16	778112	Gear, Spur (30 teeth)
17	776140	Shaft, Input
18	778113	Bevel Pinion, Input
19	784217	Rod and Fork Assembly, Shifter
20	786050	Sprocket (8 teeth)
27	780105	Bushing, Flanged
28	786162	Chain, Roller (#41 chain, 22 links)
29	780072	Race, Thrust
30	780106	Bearing, Needle
31	792072	Ring, Retaining
32	792035	Ring, Retaining
33	792059	Screw, 1/4-20 x 3/4 Tap Tite
34	788040	Ring, Retaining
36	792073	Screw, 1/4-20 x 1 1/4 Tap Tite
37	792074	Plug
40	792077	Ball, 5/16" Steel
41	792078	Screw, 3/8-16 x 3/8 Set
42	792079	Spring
43	792083	Washer

NOTE: This unit is not under warranty by the mower manufacturer. All Part Orders and Service must be handled through the Local Authorized Tecumseh Service Dealer.



PEERLESS MODEL 501

This unit is under warranty by Tecumseh Products Company. Parts and Service are available through all Tecumseh, Lauson Power Products Service Dealers. Check the "Yellow Pages" of your telephone directory under "Engines—Gasoline."

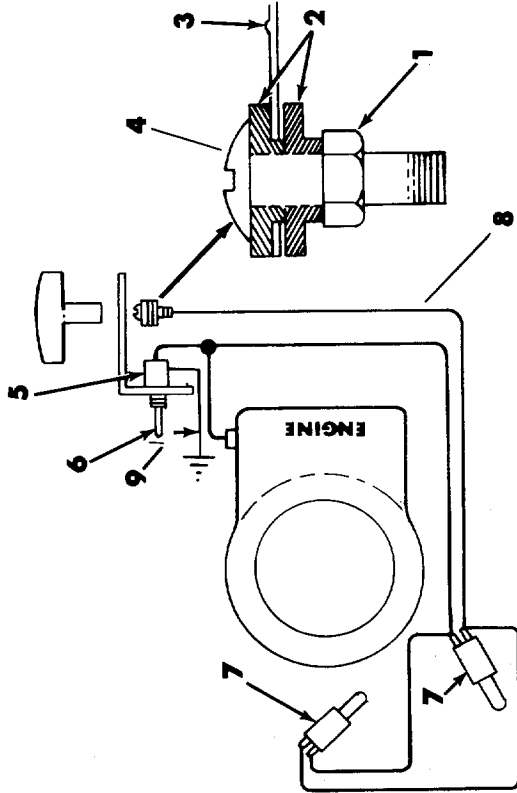


FIGURE 34. ELECTRICAL DIAGRAM FOR RECOIL START

PARTS LIST FOR FIGURE 34. ELECTRICAL DIAGRAM FOR RECOIL START ENGINE

Ref. No.	Part No.	Description
1	712-121	Hex Nut #10-24 thd.*
2	736-338	Fiber Washer
3	732-257	Switch Spring
4	710-425	Truss Head Scr. #10-24 thd.*
5	725-266	Ignition Switch
6	725-128	Key Only
7	725-269	Safety Switch—Red
8	725-273	Wire Harness
9	725-297	Ground Wire

*For faster service obtain standard nuts, bolts, and washers locally. If these items cannot be obtained locally, order by part number and size as shown on the parts list.

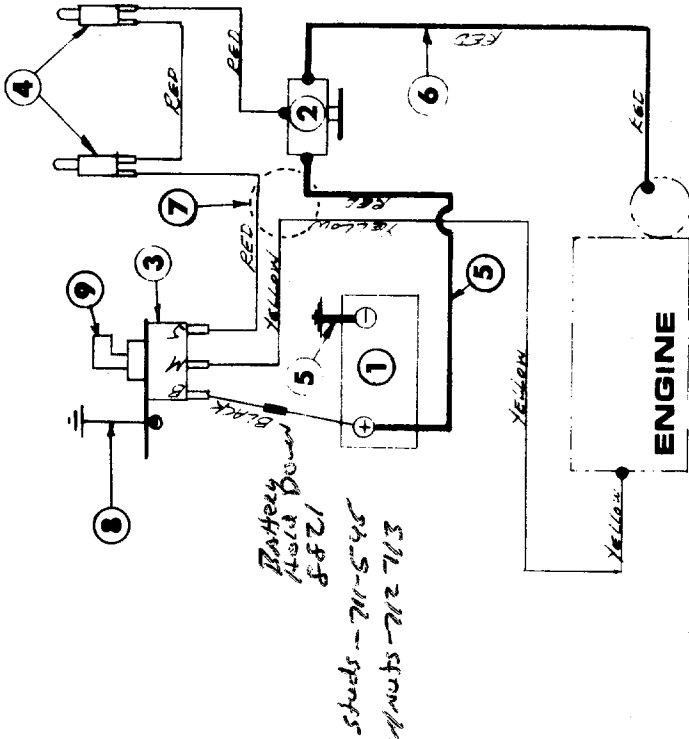


FIGURE 35. ELECTRICAL DIAGRAM FOR ELECTRIC START ENGINE

PARTS LIST FOR FIGURE 35. ELECTRICAL DIAGRAM FOR ELECTRIC START ENGINE

Ref. No.	Part No.	Description
1	725-117	Battery
2	725-270	Solenoid
3	725-267	Key Switch
4	725-268	Safety Switch—Black
5	725-150	Electric Wire
6	725-221	Wire Harness
7	725-282	Ground Wire
8	725-297	Ignition Key
10	725-156	Battery Charger (not shown)

BATTERY WARRANTY CERTIFICATE

The following general warranty policy applies to all batteries sold by IBMA members using this warranty. The nationwide warranty applies only to batteries bearing the IBMA seal of approval.

All new batteries sold by IBMA members carry a warranty against faulty material or workmanship for 90 days from date of purchase. A faulty battery is to be adjusted, repaired or replaced with a new battery by an IBMA member, jobber or dealer only, or the warranty becomes void. An IBMA type battery that is faulty within the 90 day period is to be repaired or replaced with a new battery F.O.B. any IBMA factory supplier or any IBMA authorized dealer, without charge.

Your battery carries a further warranty on a pro-rata adjustment basis covering the number of months determined by the class of service and type of battery. In determining the exchange cost of a new battery, charges will be made for months of service used and the warranty is valid to the original purchaser only.

IBMA approved factory suppliers, as well as all IBMA authorized dealers, are to honor this Warranty. If your IBMA approved battery carries the IBMA seal of approval, this Warranty is to be honored by dealers handling IBMA approved batteries everywhere. (Independent Battery Manufacturers Association, Inc.)

Failures in service that are caused by fire, collision, freezing, abuse, faulty electrical equipment or the use of a battery of a group size smaller or specifications lower than the original battery are not covered by this policy.

BATTERY MANUFACTURER MEMBERSHIP LIST

ALABAMA	Express Bty. Div. Leeth Brothers	Contract Bty. Mfg. Yocam Batteries	Shreveport Central Bty.	Maryland Heights Electro Bty. Mfg.	OREGON	Memphis Central Battery
Birmingham Southern Bty. Yocam Batteries	FLORIDA	ILLINOIS	MARYLAND	Sikeston Electro Bty.	Beaverton Western Bty., Inc.	Laheer Bty. Prod.
Mobile Yocam Batteries	Fort Lauderdale Florida Bty.	Belleville Bell City Bty. Mfg.	Baltimore East Penn Mfg.	NEW JERSEY	Portland Laheer Bty. Prod.	Southern Bty.
Montgomery Ebco Battery	Hialeah East Penn Mfg.	Chicago Illinois Bty. Mfg.	MASSACHUSETTS	Atlantic City Landis Battery	PENNSYLVANIA	Nashville Electro-Life Bty.
ALASKA	Jacksonville Tropex Batteries	Universal Bty. Volta Bty. Corp.	Watertown Atlantic Bty.	NEW MEXICO	Altoona East Penn Mfg.	Southern Bty.
Anchorage Alaska Husky Bty.	Yocam Batteries	Peoria Red Diamond Bty.	MICHIGAN	Albuquerque Sandia Bty. Mfg.	Erie New Castle Bty.	TEXAS
ARKANSAS	Miami Tropex Batteries	INDIANA	Detroit Batteries Mfg.	NEW YORK	Lancaster Lancaster Bty.	Dallas Continental Bty.
Hot Springs Red Diamond Bty.	Yocam Batteries	Muncie Stout Storage Bty.	Flint ABC Batteries	Buffalo East Penn Mfg.	Lyon Station East Penn Mfg.	Reliable Battery
CALIFORNIA	Orlando Yocam Batteries	IOWA	Holly Detroit Battery	Lockport Great Lakes Battery	New Castle New Castle Bty.	El Paso El Paso Bty.
Los Angeles Estee Battery	Pensacola Yocam Batteries	Corydon Voltmaster	Madison Heights C & W Lektra	NORTH CAROLINA	Philadelphia East Penn Mfg.	Houston Texford Bty. Co.
Laheer Bty. Prod.	St. Petersburg Electro Battery Co.	Council Bluffs Reliance Bty. Prod.	Warren G & M Battery	Charlotte Yocam Batteries	Pittsburgh Simon Bty. & Res.	Reliable Battery
Oakland Laheer Bty. Prod.	Tampa Bill-Rite Bty. Mfg.	Des Moines Voltmaster	MINNESOTA	Thomasville East Penn Mfg.	Geidel Bty. Div.	San Antonio Reliable Battery
Sacramento Laheer Bty. Prod.	Contract Bty. Mfg. DeSoto Bty. & Elec.	KANSAS	St. Paul Standard Storage Bty.	OHIO	RHODE ISLAND	UTAH
San Francisco Amp King Bty. Laheer Bty. Prod.	Tropex Batteries Yocam Batteries	Kansas City American Batteries	MISSISSIPPI	Akron Crown Battery	Providence Pilof Mfg., Inc.	Salt Lake City Laheer Bty. Prod.
Pico Bty. Mfg.	GEORGIA	Contract Bty. Mfg.	Florence Contract Bty. Mfg.	Cincinnati Moore Battery	SOUTH CAROLINA	VIRGINIA
Stockton Stockton Battery	Albany Ebco Battery	KENTUCKY	Jackson Central Bty.	Cleveland Crown Battery	Columbia Yocam Batteries	Arlington Express Bty. Div.
COLORADO	Atlanta Ebco Battery	Whitesburg Electro-Life Bty.	New Albany Laheer Bty. Prod.	New Castle Bty.	TENNESSEE	Leeth Bros.
Denver Moore Battery	Southern Bty. Yocam Batteries	LOUISIANA	MISSOURI	Columbus Crown Battery	Chattanooga Electro-Life Bty.	Lynchburg Hydrate Battery
D. C.	Columbus Ebco Battery	New Orleans Central Bty.	Joplin Lead Products	Fremont Crown Battery	Knoxville Southern Bty.	Washington Seattle
Washington		Reliable Bty.				Laheer Bty. Prod.
						Spokane Laheer Bty. Prod.
						CANADA
						Vancouver, B. C.
						Industrial Bty. & Supply

WARRANTY

For one year from date of purchase, MTD Products Inc will replace for the original purchaser, free of charge, F.O.B. factory or authorized service firm, any part or parts found to be defective in material or workmanship. All transportation charges on parts submitted for replacement under this warranty must be paid by the purchaser. This warranty does not include replacement of parts which become inoperative through misuse, excessive use, accident, neglect, improper maintenance or alterations by unauthorized persons. This warranty does not include the engine, motor, battery, battery charger or any component parts thereof. For service on these units refer to the applicable manufacturer's warranty.

The above warranty will apply only to the original owner and will be effective only if the warranty card has been properly processed. It will not apply where the unit has been used commercially.

Warranty service is available through your local authorized service dealer or distributor. **UNDER NO CIRCUMSTANCES WILL THE RETURN OF A COMPLETE UNIT BE ACCEPTED BY THE FACTORY UNLESS PRIOR WRITTEN PERMISSION HAS BEEN EXTENDED.**

PARTS INFORMATION

MOWER, TILLER, SNOW THROWER AND TRACTOR PARTS

Mower, tiller, snow thrower and tractor parts are available through the authorized service firms listed below. All orders should specify the model number of your unit, parts numbers, description of parts and the quantity of each part required.

A 1 Engine & Mower Co.
327 East 9th Street
Salt Lake City, Utah 84102

American Electric Ignition Co.
124 N. W. 8th Street
Oklahoma City, Oklahoma 73102

Auto Electric & Carburetor Co.
2625 4th Avenue, S.
P. O. Box 1948
Birmingham, Alabama 35233

Automotive Equipment Service Co.
3117 Holmes Street
Kansas City, Missouri 64109

Bailey's Rebuild Inc.
1325 E. Madison Street
Seattle, Washington 98102

Brown Equipment Distributor Inc.
110 Beech Street
Corydon, Indiana 47112

Bullard Supply
2409 Commerce Street
Houston, Texas 77003

Center Supply Company
6867 New Hampshire Avenue
Takoma Park, Maryland 20012

R. T. Clapp Co.
2016 Magnolia Ave., N. E.
Knoxville, Tennessee 37917

W. B. Clements
400 Salem Avenue
Roanoke, Virginia 24016

Morton B. Collins Co.
300 Birnie Avenue
Springfield, Massachusetts 01107

Dixie Sales Company
P. O. Box 1408
327 Battleground Avenue
Greensboro, North Carolina 27402

East Point Cycle & Key Shop
1617 Whiteway
East Point, Georgia 30044

Gamble Distributors
West End Avenue
Carthage, New York 13619

Garden Equipment Co., Inc.
6600 Cherry Avenue
Long Beach, California 90805

Henzler, Inc.
2015 Lemay Ferry Road
St. Louis, Missouri 63125

Frank E. Ives & Son
1101 Lincoln Avenue
Prospect Park, Pennsylvania 19076

J. W. Jewett Co.
981 Folsom Street
San Francisco, California 94107

Kenton Supply
8216 North Denver Avenue
Portland, Oregon 97217

Kimber's Inc.
615 W. Genesee Street
Syracuse, New York 13204

Marr Brothers
423 E. Jefferson
Dallas, Texas 75203

Mathews Auto Electric Co.
420 East 2nd Street
Tulsa, Oklahoma 74120

McClure Lawn & Garden Supply
1114 Lexington Avenue
Mansfield, Ohio 44907

Memphis Cycle & Supply Co.
421 Monroe Avenue
Memphis, Tennessee 38103

ENGINE PARTS AND SERVICE

Engine parts and service should be handled by your nearest authorized engine service firm. Check the yellow pages of your telephone directory under the listing *Engines - Gasoline*, Briggs and Stratton or Tecumseh Lauson - Power Products.

Moz-All of Florida, Inc.
365 Greco Avenue
Coral Gables, Florida 33146

National Central, Div. of Joe Sterling, Inc.
Drawer "D" 687 Seville Rd.
Wadsworth, Ohio 44281

Power Equipment Distributor
36463 So. Gratiot Avenue
Mt. Clemens, Michigan 48043

Parts & Sales Inc.
335 West St. Charles Road
Villa Park, Illinois 60181

Power Lawn & Garden Equip. Co.
2551-2571 J. F. Kennedy Road
Dubuque, Iowa 52001

Raub Supply Company
James & Mulberry Sts.
Lancaster, Pennsylvania 17604

Radco Distributors
2403 Market Street
P. O. Box 3216
Jacksonville, Florida 32206

Richmond Battery & Ignition
P. O. Box 25369 - 957 Myers St.
Richmond, Virginia 23260

Smith Hardware Company
515 N. George Street
Goldsboro, North Carolina 27530

South Denver Lawn Equip. Co.
527 West Evans
Denver, Colorado 80223

Suhren Engine
8330 Earhart Blvd.
New Orleans, Louisiana 70118

Sutton's Lawn Mower Shop
Route 4, Box 343
North Little Rock, Arkansas 72117

Warner Equipment
7520 Lyndale Avenue, So.
Minneapolis, Minnesota 55423

GRASS CATCHER Model No. 192-010 is available as optional equipment for the mowers shown in this manual.

WARNING:

1. The mower should not be operated without the entire grass catcher or chute deflector in place.
2. The mower should not be operated without the protective shield on the rear of the deck in place.

NOTE:

Under normal usage the bag material is subject to deterioration and wear and should be checked for replacement. Be sure that any replacement bag complies with the original manufacturer's specification.

For replacement bags, use only factory authorized replacement bag No. 764-121.