

OWNER'S GUIDE

10 CENTS

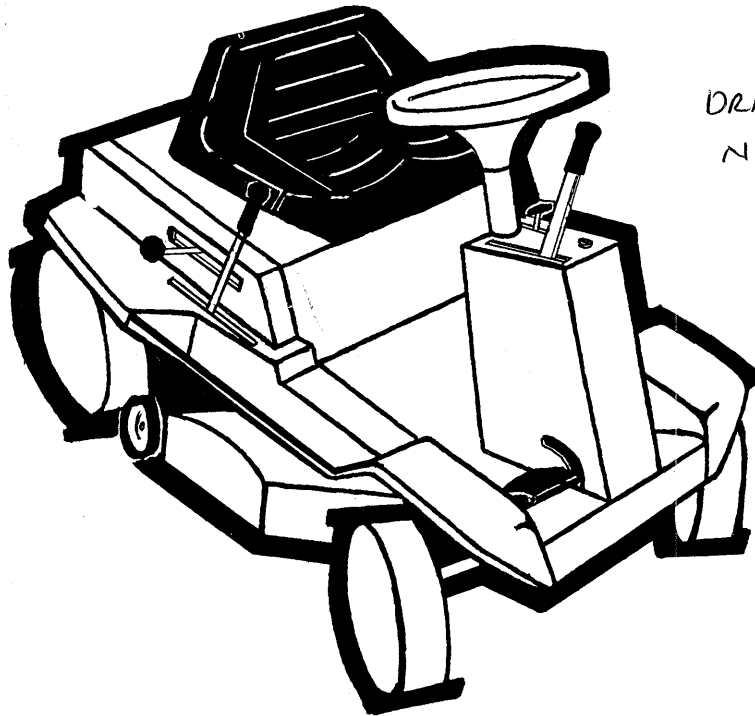
Model Nos. 131-425

(RECOIL START)

131-435

(ELECTRIC START)

RIDING MOWER



DRAIN EXT 737-11K ^{5/8x3}
NIPPLE 737-164

921-
105 99A
1/8" nut for
old models.

WARRANTY

For one year from date of purchase, MTD Products Inc will replace for the original purchaser, free of charge, F.O.B. factory or authorized service firm, any part or parts found to be defective in material or workmanship. All transportation charges on parts submitted for replacement under this warranty must be paid by the purchaser. This warranty does not include replacement of parts which become inoperative through misuse, excessive use, accident, neglect, improper maintenance or alterations by unauthorized persons. This warranty does not include the engine, motor, battery, battery charger or any component partes thereof. For service on these units refer to the applicable manufacturer's warranty.

The above warranty will apply only to the original owner and will be effective only if the warranty card has been properly processed. It will not apply where the unit has been used commercially.

Warranty service is available through your local authorized service dealer or distributor. **UNDER NO CIRCUMSTANCES WILL THE RETURN OF A COMPLETE UNIT BE ACCEPTED BY THE FACTORY UNLESS PRIOR WRITTEN PERMISSION HAS BEEN EXTENDED.**

MTD PRODUCTS INC • 5389 WEST 130th ST. • P.O. BOX 2741 • CLEVELAND, OHIO 44111

FORM 770-2899

SAFETY RULES

Your rotary mower is a precision piece of power equipment, not a plaything. Therefore exercise extreme caution at all times.

1. Remove all sticks, stones wire and other hazardous items from lawn before mowing. Such items are dangerous to both the mower and individuals in the vicinity of the mower.
2. Always disconnect spark plug cable during repair or refueling operations.
3. Always start engine from side opposite discharge chute.
4. **NEVER** place hands or feet under mower or near discharge chute while engine is running.
5. Always stop engine when not cutting grass.
6. Do not fill gas tank while engine is running. Do not spill gasoline on hot engine.
7. Keep children and pets away from area at all times during mowing operation. Never allow mower to discharge grass toward any person.
8. Do not attempt to start engine while mower is resting in high grass.
9. **Check all nuts and bolts, particularly the blade bolts, for tightness. This is especially important during the initial operation period. Make this same check periodically thereafter.**
10. While operating the mower, if any foreign object is struck, stop the mower and inspect for damage. Do not restart or operate the mower until all damage has been repaired.

WARNING: Should excessive vibration develop, check your blade and blade shaft immediately. Do not operate mower with an unbalanced blade, a damaged blade or a damaged blade shaft.

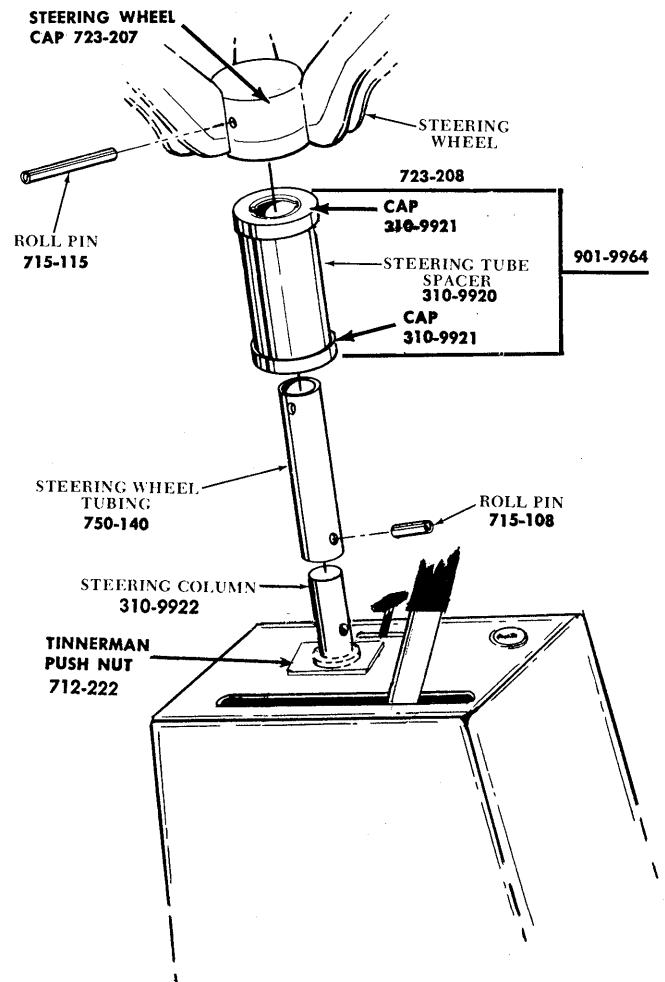
ASSEMBLY INSTRUCTIONS

Your new rider mower is completely assembled when you receive it except for the steering wheel, seat, seat cover and engine oil.

Add 2 $\frac{1}{4}$ pints of high quality detergent oil. (Below 40° F. Use SAE 5W-20 Oil. Above 40° F. Use SAE 30 Oil.)

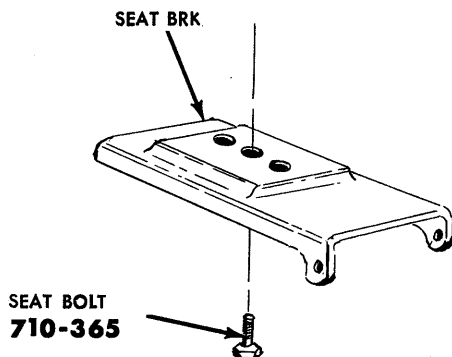
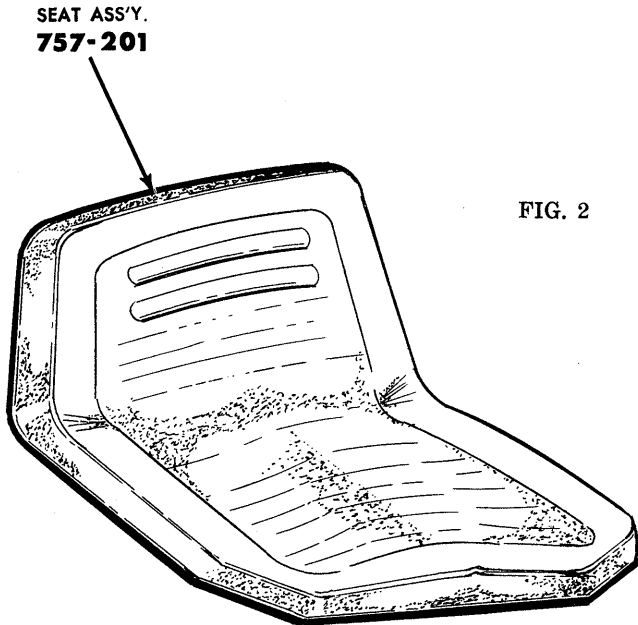
STEERING WHEEL ASSEMBLY

1. Be sure holes line up in the steering column and steering wheel tubing..(It may be necessary to use a drift to align the holes.)
2. Attach steering wheel tubing to steering column with roll pin.
3. Slide steering tube spacer over steering wheel tubing — be sure that the steering tube spacer lays flush against steering box.
4. Align holes in steering wheel and steering wheel tubing.
5. Drive roll pin through the aligned holes.



SEAT ASSEMBLY

Assemble the seat to the seat spring with the carriage bolt. The seat is adjustable to three positions. (See Fig. 2.)



INSTRUCTIONS FOR ACTIVATING DRY CHARGED BATTERIES ELECTRIC START ONLY

WARNING

SINCE BATTERY ACID IS CORROSIVE TO METALS, DO NOT POUR INTO ANY SINK OR DRAIN. RINSE EMPTY ELECTROLYTE CONTAINERS AND MUTILATE BEFORE DISCARDING. IF ACID IS ACCIDENTALLY SPILLED ON BATTERY DURING FILLING OR CHARGING, OR ON BENCH OR CLOTHING, ETC., FLUSH OFF WITH CLEAR WATER AND NEUTRALIZE WITH SODA OR AMMONIA SOLUTION.

1. Place battery to be filled on bench or workbench. Never activate battery in mower. Remove vent plugs from all cells.
2. Fill each cell carefully using battery grade 1.250-1.265 specific gravity. Sulfuric Acid to $\frac{3}{8}$ " above the top of the separators or to the split ring.

3. Allow battery to set for 20 minutes. Battery can then be installed, however, to have maximum capacity the battery should be placed on a charger after the 20 minutes setting period. Battery can be charged at maximum of 35 amperes until the specific gravity reading is 1.265-1.275.
4. The battery should be checked with a hydrometer after every 25 hours of operation. If the specific gravity is less than 1.225 remove battery and recharge.
5. The battery should be kept clean. Any deposits of acid should be neutralized with soda and water. Be careful not to get this solution in the cells. Coat the terminals with a thin coat of grease.
6. If the battery is not going to be used in the winter, remove the battery and store in a cool, dry place. Do not store directly on a concrete floor as this will drain the battery. Recharge whenever the specific gravity is less than 1.225.

BATTERY INSTALLATION

1. Tip the seat forward.
2. Remove the bolt holding the battery hold down to the battery case.
3. Install the battery with the Neg. (-) terminal to the rear of the mower.
4. Attach the Pos. (+) terminal with the $\frac{5}{16}$ " dia. carriage bolt and nut.
5. Attach the Neg. (-) terminal with the $\frac{1}{4}$ " dia. carriage bolt and nut.
6. Replace the battery hold down and secure with bolt.
7. Tip the seat back to the normal position.

BATTERY HOLD DOWN

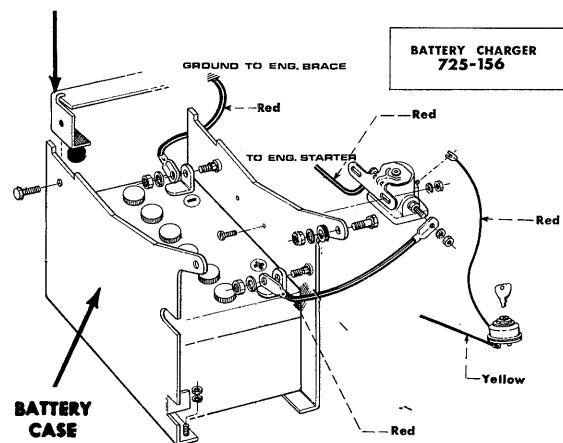


FIG. 2B Battery Installation

BATTERY CHARGER

1. Your battery may be charged in your rider without removing it or without disturbing the cable connectors at the battery terminals.
2. Be sure the switch is in the 12 Volt position.
3. Connect battery clips to battery terminals. Clip with (+) mark connects to positive terminal of the battery. Clip with no marking connects to negative terminal of battery. (Red clips are + and black clips are -). Be sure that battery terminals are clean where charger clips are to be connected. Move clips back and forth several times to be sure a tight connection is made.
4. If sparking occurs at battery clips when connecting them to battery terminals the clips should be reversed on the battery terminals.
5. Make sure the voltage of the battery is the same as that of the charger, as mentioned before. Connect AC plug to an alternating current outlet of the same voltage and frequency as shown on the name plate of the charger. (To prevent short circuiting of the battery charger, be sure to connect clips to battery terminals before plugging into the AC outlet.)
6. Your battery charger is equipped with an auto-

matic circuit breaker which protects the charger against short circuits and overloads which cause the circuit breaker to trip open when they occur. After a short cooling off period the circuit breaker will "reset" automatically and allow the charger to operate normally. If the circuit-breaker trips open, make sure battery connections are correct.

7. If the charger continues to trip and you have checked your connections to see that they are correct, the probable cause is in the battery, which may have been allowed to discharge below its normal discharge condition or it may have one or more shorted cells. If this condition exists it will draw too much current and cause the circuit breaker to trip on and off. This will continue until the battery has recovered sufficiently to allow a normal charging current.

8. The charging rate depends upon the AC supply voltage and the internal condition of the battery. Under certain of these conditions the charger may not deliver its maximum charging rate to the battery, but this should not be taken as an indication that the charger is inefficient.

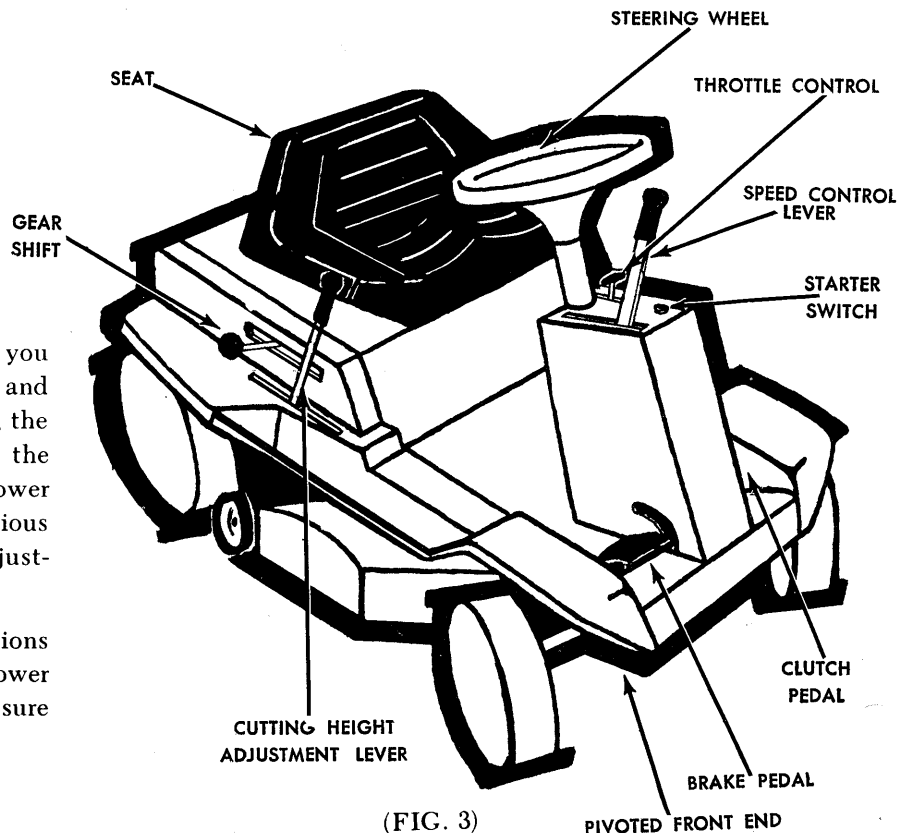
9. The average time required to charge a battery is 8-10 hours for a completely discharged battery.

KNOW YOUR MOWER

OPERATING INSTRUCTIONS AND SERVICE

This Manual should be read in its entirety before you operate your Rider Mower. The more you know and understand about the machine and its operation, the better job it will do for you. While reading the manual, compare the illustrations with your mower to familiarize yourself with the locations of various controls, lubrication points, attachments, and adjustment features.

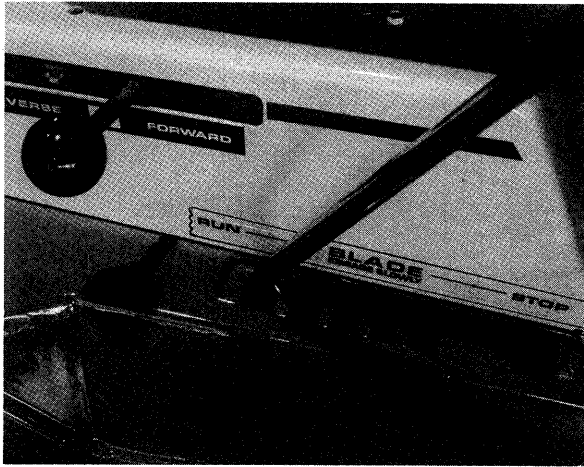
Study the operating instructions and safety precautions thoroughly to insure proper functioning of your mower and to prevent injury to yourself and others. Be sure to save this manual for future reference.



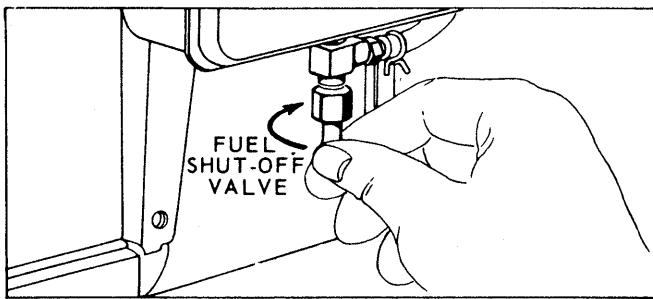
(FIG. 3)

LIFT AND DISENGAGEMENT LEVER

The lift and disengagement lever is used to raise and lower the mowing deck (See Fig. 4). When the lever is in the DISENGAGE position the blades WILL NOT revolve. When it is necessary to drive the mower over a small obstruction such as a clump of dirt or a root, place the lift and disengagement lever in DISENGAGE position. This will raise the deck and the blades will stop revolving automatically.



(FIG. 4) Lift and Disengagement Lever



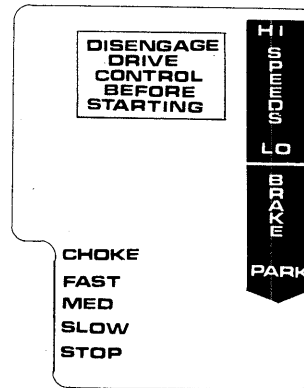
(FIG. 5) Fuel Shut-Off Valve

DIFFERENTIAL — The rear axle differential allows one rear wheel to turn faster than another during turns. Differential action eliminates scuffing of the turf by the rear wheels and permits sharper and easier turning.

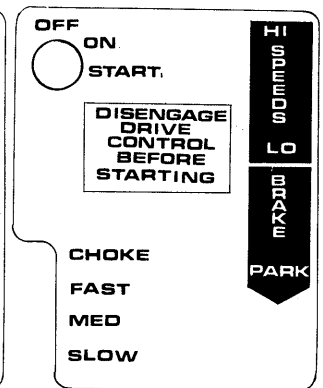
SEAT — The seat is adjustable to three positions by removing the single hex nut under the seat spring, repositioning the seat, and tightening the nut. (See Fig. 2).

TIRE PRESSURE —
 Front 7 to 10 psi
 Rear 7 to 10 psi

Over-inflation may cause slippage of rear wheels. Under-inflation may cause excessive wear, inner tube damage, or an uneven cut.



(FIG. 6) Recoil Start



(FIG. 7) Electric Start

THROTTLE CONTROL

Your engine has a "choke-a-matic" choke. Move throttle control lever all the way forward (see Figures 6 and 7) to place it in the choke position for starting. One lever operates the choke, regulates the engine speed, and stops the engine on the recoil model.

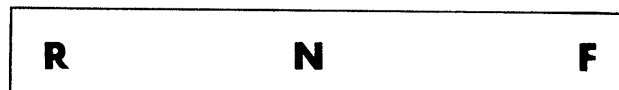


FIG. 8) Shift Lever

The gear shift lever has three positions. FORWARD, NEUTRAL AND REVERSE. The right foot pedal must be completely depressed before shifting gears. (See Fig. 8)

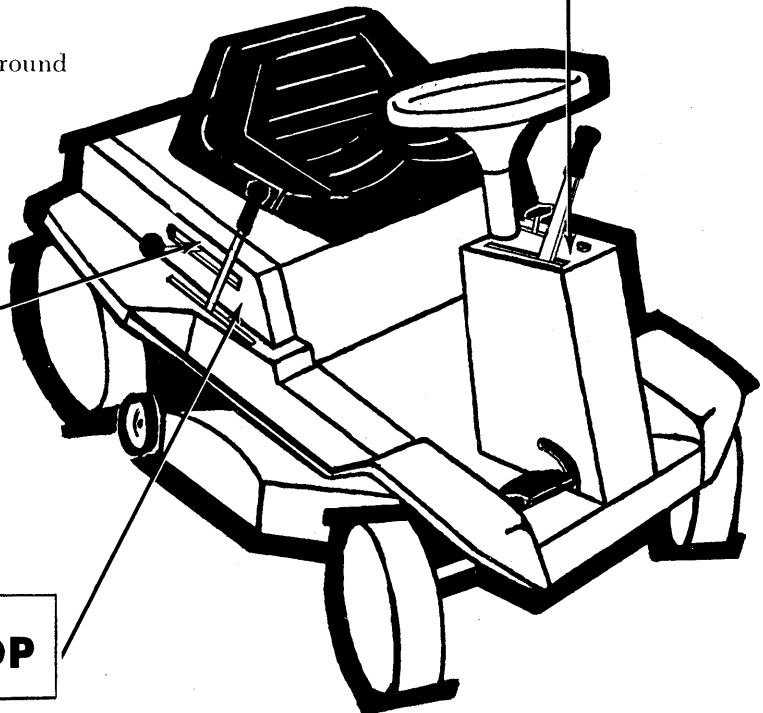
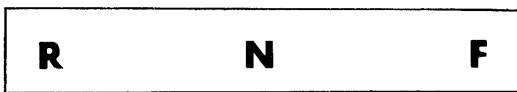
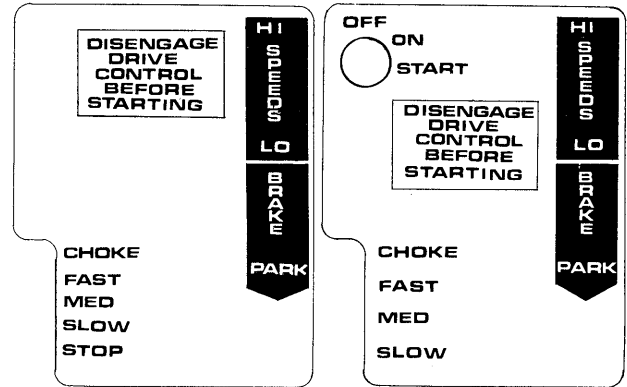
KNOW YOUR CONTROLS BEFORE OPERATING

Depress the right foot pedal to stop or slow down. Pull the speed control lever into the "Park" position whenever you dismount the rider. The engine DOES NOT have to be running to move the speed control lever into "Park".

Always start the engine with the speed control lever in "Park".

Depress the left pedal, after removing the speed control lever from "Park", to increase your ground speed. This pedal can only be depressed when the engine is operating.

Depress either pedal to obtain the desired ground speed.



(FIG. 9) Controls

KNOW HOW TO STOP YOUR MOWER

STOPPING ENGINE—Move the throttle to STOP position (see Fig. 6) Recoil Model. (Turn key to off position) (see Fig. 7) Electric Model.

STOPPING THE RIDER

Depress the right foot pedal or pull the speed control lever towards you. (See Fig. 9).

STOPPING BLADES FROM REVOLVING — With your right hand push the lift lever down to DISENGAGE position (see Fig. 4). It can be held in this position by pushing it all the way to the front and moving it to the right.

This operation will stop the blades from rotating as well as raise the mowing deck. The lift lever should be in this position when traveling to and from the work area.

NOTE

Disconnect spark plug wire when the mower is stopped. When stopping the mower for any length of time REMOVE THE SPARK PLUG.

STARTING INSTRUCTIONS

CAUTION
BE SURE THE CONTROLS
ARE IN NEUTRAL
BEFORE STARTING ENGINE

1. Be sure the crankcase is filled with oil as recommended in this manual and put regular gasoline in the fuel tank.
2. Be sure fuel shut-off valve is open. (See Fig. 5)
3. Attach wire to spark plug and put lift lever in DISENGAGE position. (See Fig. 4)
4. Put gear shift lever in neutral. (See Fig. 3)
5. Depress the right foot pedal and pull the speed control lever into the "Park" position. (See Fig. 3)
6. Move the throttle control to the "Choke" position. (See Figures 6 and 7)
7. On recoil start model pull the starter rope with a quick steady motion with your right hand.
- 7A. On electric start model turn starter key clockwise to start position.

NOTE: On electric start models the engine also has a recoil starter. To start the engine, place starter key in on position and pull starter rope with a quick steady motion with your right hand.

8. Slowly return the throttle control lever to the running position after the engine has started. (See Figures 6 and 7)

PUTTING RIDER MOWER IN MOTION

1. Advance the throttle control lever from 3/4 to full throttle to prevent strain on the engine and to maintain the necessary speed of the engine to operate the cutting blades. (See Figures 6 and 7)
2. With the speed control lever still in the "Park" position move the gear shift lever into either the Forward or Reverse position. (See Fig. 8)
3. Release the speed control lever from "Park" into the "Brake" position. (See Fig. 9)
4. Slowly depress the left foot pedal to increase your ground speed. The further you push the left pedal the faster you will go. To slow the mower depress the right foot pedal.

NOTE

The ground speed of the mower is determined by the position of the right and left foot pedals. Your throttle control lever should always be set from 3/4 to full throttle when you are mowing grass. Blade speed is determined by the engine throttle control setting.

5. To stop the motion of the rider depress the right foot pedal or pull the speed control lever into "Brake" or "Park" position. (See Fig. 9)

ADJUSTMENTS

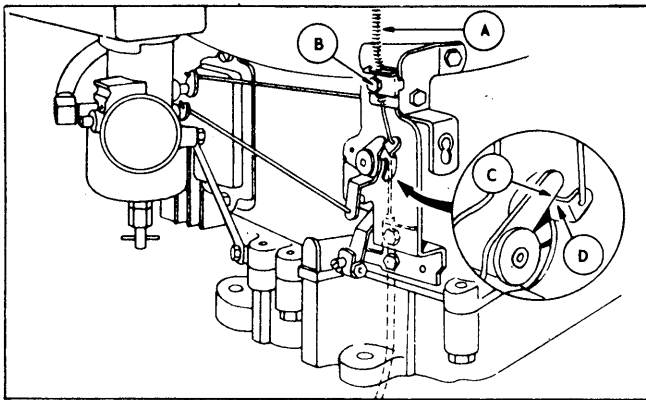
THROTTLE CONTROL —

To Check Operation:

1. Remove air cleaner.
2. Move throttle control lever to CHOKE position. The carburetor choke should be closed.
3. Move throttle control lever to STOP position. Lever should make good contact with stop switch.

To Adjust: (See Fig 10)

Place throttle control lever on in FAST (high speed) position. Loosen control casing clamp screw "B". Move control casing "A" and wire until lever "D" touches choke operating link at "C". Tighten casing clamp screw "B". Replace air cleaner.



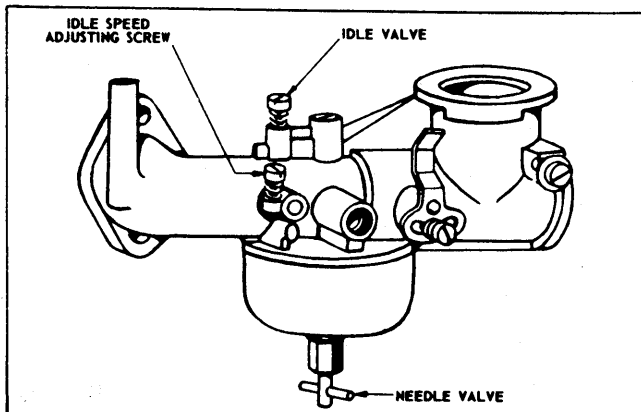
(FIG. 10)

CARBURETOR ADJUSTMENT

Carburetors are adjusted at the factory and normally do not need adjustment unless they have been disassembled.

Initial Adjustment After Re-assembly (See Fig. 11)

Turn needle valve clockwise until it just closes. CAUTION: Valve may be damaged by turning it too far. Now open needle valve 1-1/8 turns counterclockwise. Close idle valve in same manner and open 1-1/8 turns. This initial adjustment will permit the engine to be started and warmed up prior to final adjustment.



(FIG. 11)

Final Adjustment (See Fig. 11)

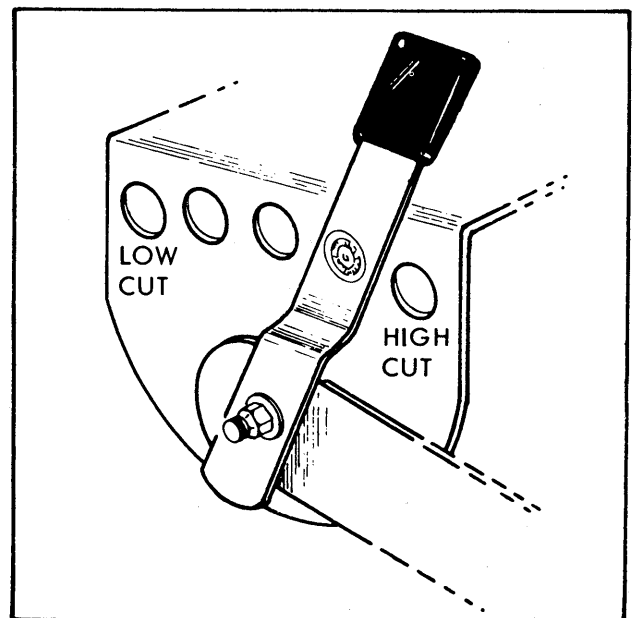
Turn needle valve in until engine misses (lean mixture). Then turn it out past smooth operating point until engine runs unevenly (rich mixture). Now turn needle valve to the mid-point between rich and lean so the engine runs smoothly.

Hold throttle at idle position and set idle speed adjusting screw until fast idle is obtained (1750 RPM). Hold throttle in idle position and turn idle valve in (lean) and out (rich) until engine idles smoothly. Then reset idle speed adjusting screw so that engine idles at 1750 RPM. Release throttle — engine should accelerate without hesitation or sputtering. If engine does not accelerate properly the carburetor should be re-adjusted to a slightly richer mixture.

CUTTING HEIGHT — Your rider mower is designed to mow grass from 1 to 3 inches high. To disengage the power to the blades move the lift and disengagement lever to the DISENGAGE position. The blades will not rotate when the lift lever is in this position. However, ALWAYS shut the engine off and disconnect the spark plug wire when cleaning grass from the discharge chute.

There are two ways to set the mowing height on your rider mower. One setting is for rough mowing and the other is for normal mowing.

NORMAL MOWING — Set your mowing height with the individual wheel adjusters located on the deck (See Fig. 12). Move the individual height adjustment levers forward to lower the cut of grass. Move the height adjustment handle all the way to LOW CUT position. This will allow the deck to "float" and follow the contour of the ground.



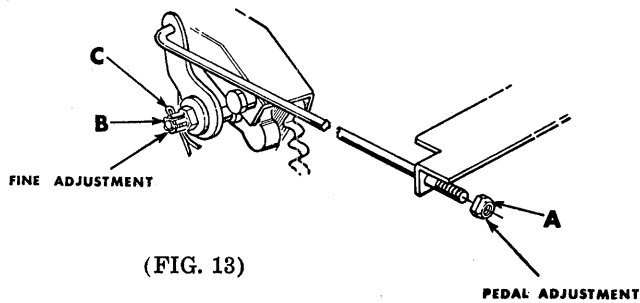
(FIG. 12)

ROUGH TERRAIN MOWING—With the lift and disengagement lever you may select one of five height settings by moving the lever to your left and back to the desired mowing height (see Fig. 4). Set the individual wheel adjuster so that the wheels clear the ground by $\frac{1}{4}$ inch to prevent scalping.

CHAIN ADJUSTMENT

After the first five hours of operation the initial slack should be removed from the chain. The chain should be tight enough so that it deflects approximately $\frac{1}{2}$ " when it is depressed with your thumb.

To remove the slack, turn the adjusting bolt clockwise with a $\frac{1}{2}$ " open end or box wrench until the proper tension is obtained. The adjusting bolt is located under the frame of the mower in front of the transmission pulley.



(FIG. 13)

PEDAL ADJUSTMENT—To take up the adjustment on the brake linkage, tighten or loosen the hex nut (A) on brake linkage. (See Fig. 13).

FINE BRAKE ADJUSTMENT—Remove hairpin (C). Turn castle nut (B) clockwise to tighten one quarter revolution and check brakes. Repeat as necessary to have proper braking power. Replace hairpin (C) (see Fig. 13).

NOTE

Brake pedal should be in full brake position when adjusting brake.

MAINTENANCE

BEARINGS — Lifetime graph oil front wheel bearings and rear axle spherical bearings require little lubrication. However, a light film of oil applied to these bearings will reduce normal friction. Maintain a light film of oil on the chain at all times, except where mower is used under extremely dusty conditions. Lubricate all other moving parts with light oil after every 25 hours of operation. Bearings in the clutch idler and the blade spindles are permanently sealed and require no lubrication.

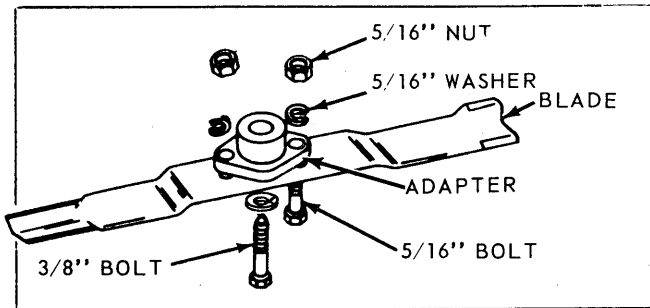
TRANSMISSION — The transmission is filled at the factory and requires no further lubrication.

Disconnect spark plug wire before performing any maintenance on your mower.

BLADES — Sharp and balanced blades are essential for efficient mowing and long mower and engine life. When sharpening blades, file equal amounts of metal from each side. The blades should be balanced before they are reinstalled. An unbalanced blade will cause excessive vibration and undue wear on the mower and the engine. When reassembling, all parts must be installed in the proper order and fastened securely.

REMOVING BLADES

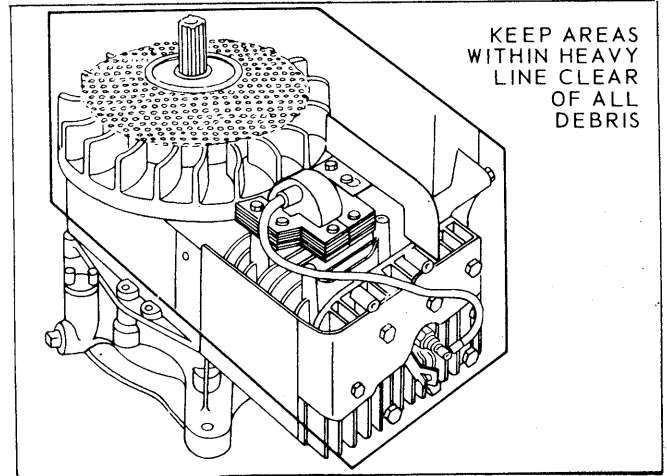
Remove the 3/8" bolt and lockwasher. Pull the blade and adapter off the mower deck. To remove the adapter from the blade, remove the two 5/16" bolts, lockwashers and nuts. (See Fig. 14).



(FIG. 14) Blade Removal

CLEAN COOLING SYSTEM

Grass or chaff may clog cooling system after prolonged service in cutting tall dry grasses or hay. Continued operation with a clogged cooling system causes severe overheating and possible engine damage. Remove blower housing and clean regularly. See Fig. 15.



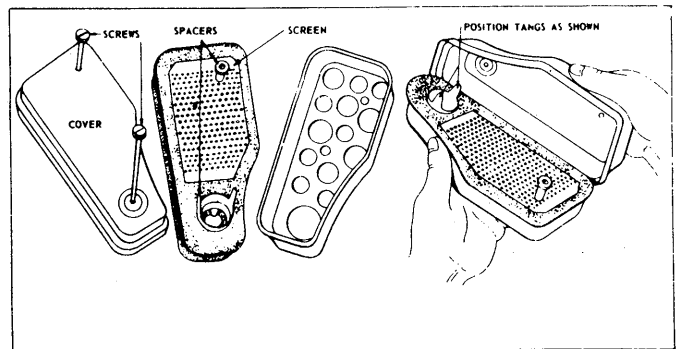
(FIG. 15)

MOWER DECK — The underside of the mower deck should be cleaned after each period of use as grass clippings, leaves, dirt, and other matter will accumulate. This accumulation of grass clippings, etc., is undesirable as it will invite rust and corrosion and may cause an uneven discharge of grass clippings at the next mowing.

The deck may be cleaned by tilting the mower on its front wheels until the frame and the steering wheel supports the entire unit. Scrape clean with a suitable tool or by washing with a stream of water from a garden hose. Be sure to disconnect the spark plug wire and ground it while performing this maintenance.

Change oil after first 5 hours of operation. Thereafter, change oil every 25 hours of operation. Remove oil drain plug and drain oil while engine is warm. Replace drain plug. Remove oil filler plug and refill with new oil of proper grade. Replace oil filler plug.

SERVICE AIR CLEANER REGULARLY "OIL-FOAM" TYPE



(FIG. 16)

When assembling make certain the lip of the foam element extends over edge of the air cleaner body. The foam element will form a protective seal.

1. Remove two screws and lift off complete air cleaner assembly.
2. Remove screen and spacers from foam element.
3. Remove foam element from air cleaner body.
4. A. Wash foam element in kerosene or liquid detergent and water to remove dirt.
B. Wrap foam in cloth and squeeze dry.
C. Saturate foam in engine oil. Squeeze to remove.
D. Assemble parts — fasten to carburetor with screw. See Fig. 16.

OIL RECOMMENDATIONS

WINTER
(Below 40° F.)
Use SAE 5W-20

SUMMER
(Above 40° F.)
Use SAE 30

BELT REMOVAL

To remove either or both belts:

1. Place the speed control lever in the "PARK" position. (See Fig. 9).
2. Move lift lever into disengaged position. (See Fig. 4).
3. Remove the two rear hex nuts on the engine bolts to remove the engine belt guard and slide the guard away from the chain and remove. (See Fig. 17).
4. Remove the blade drive belt from the engine pulley. (See Fig. 17).

5. With the lift lever, lower the deck all the way. To remove the blade drive belt: (See Fig. 17).
6. Remove both belt guards on the cutting deck.
7. Remove belt and reassemble with new belt.

TO REMOVE THE VARIABLE SPEED BELTS.

(See Fig. 17).

8. Remove the variable speed pulley by removing the center hex nut and lock washer.
9. Remove the transmission pulley by removing the snap ring.
10. Remove the engine pulley by removing the center hex head bolt and two washers.
11. The belts can now be replaced.

WARNING

On electric start units remove battery from unit to prevent acid leakage when in maintenance position.

NOTE

Disconnect spark plug cable during repairs for your own safety.

When working on the mower it is recommended placing it in the maintenance position as shown below in Fig. 17. Place a suitable block on the left side of the mower. Place a piece of plastic film under gas cap and tighten it. The plastic prevents gasoline from draining from the air vent in the cap. Grasp mower at chute guard on the deck and lift mower so it will rest on the block.

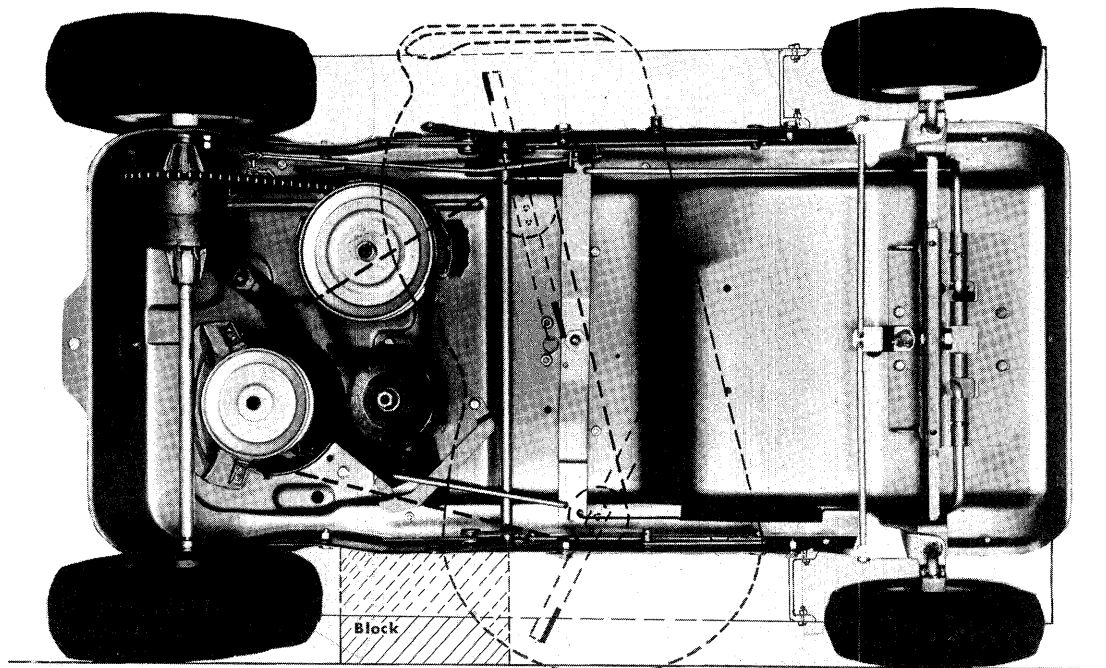


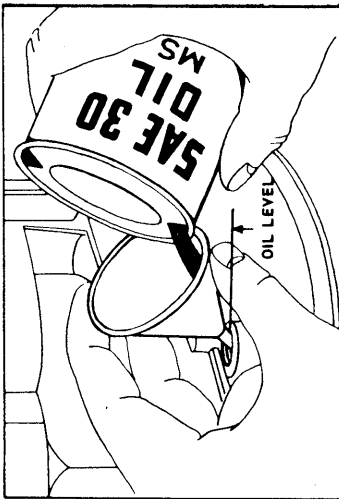
FIG. 17

LUBRICATION

1. ENGINE:

Fill Sump with Oil.

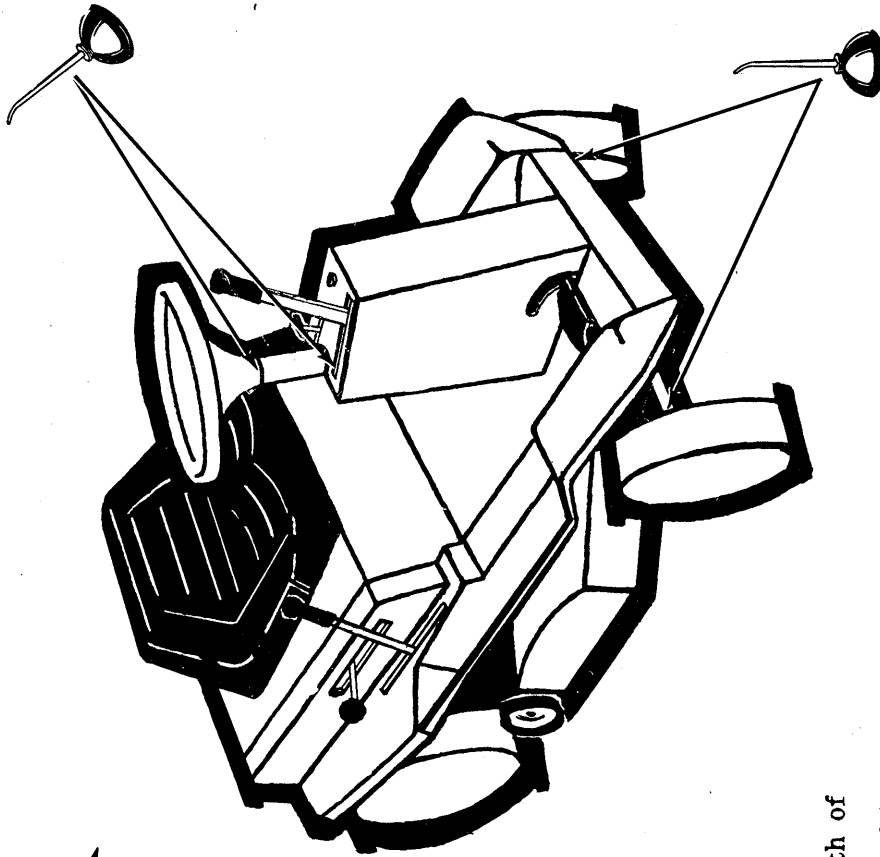
Remove the oil filler plug or oil minder located on base of engine. Place the engine level. Fill the oil sump to overflowing. POUR SLOWLY. CAPACITY 2¼ pints. Replace the filler plug.



OIL RECOMMENDATIONS

SUMMER
(Above 40° F.)
Use SAE 30

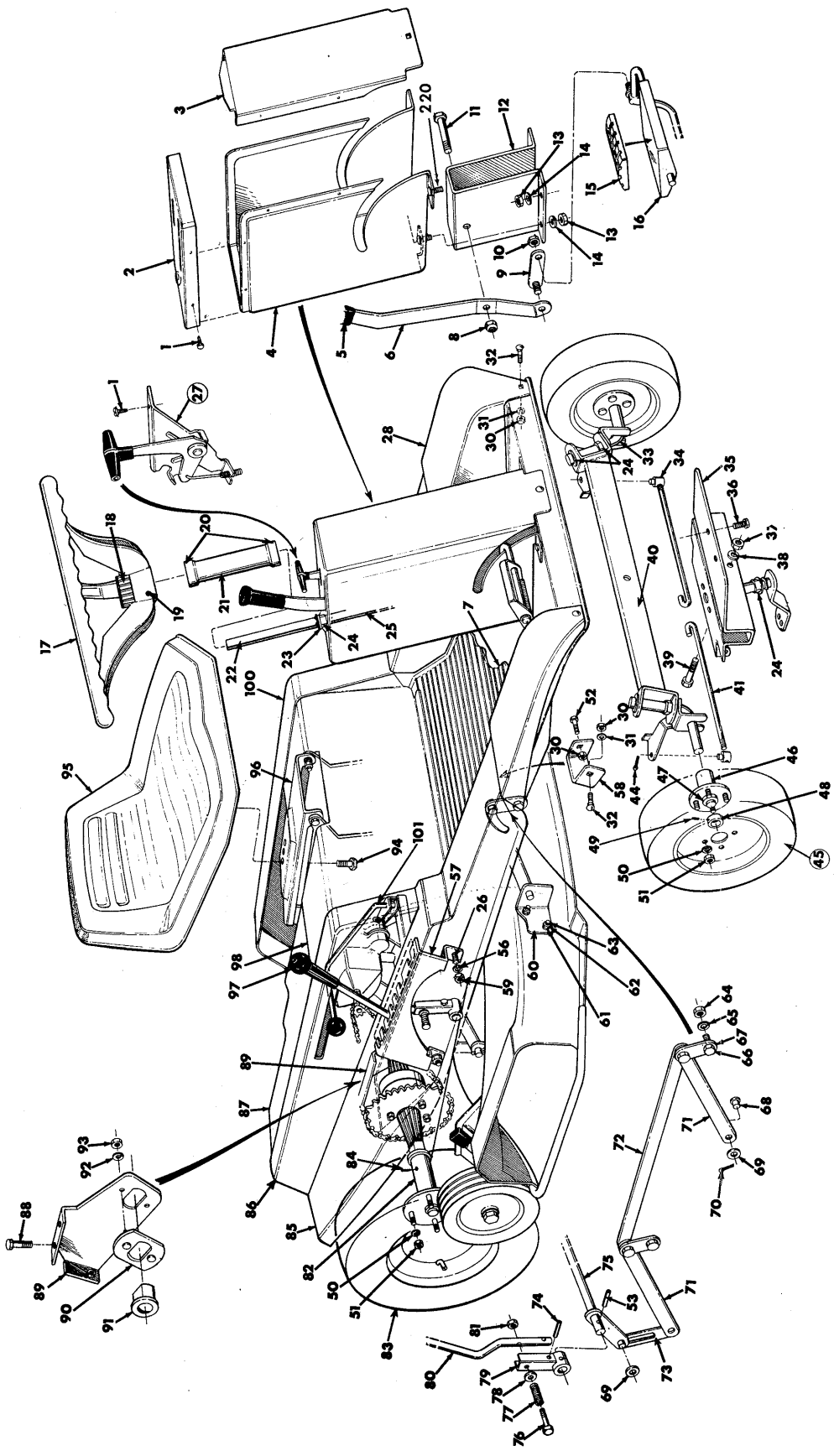
WINTER
(Below 40° F.)
Use SAE 5W-20



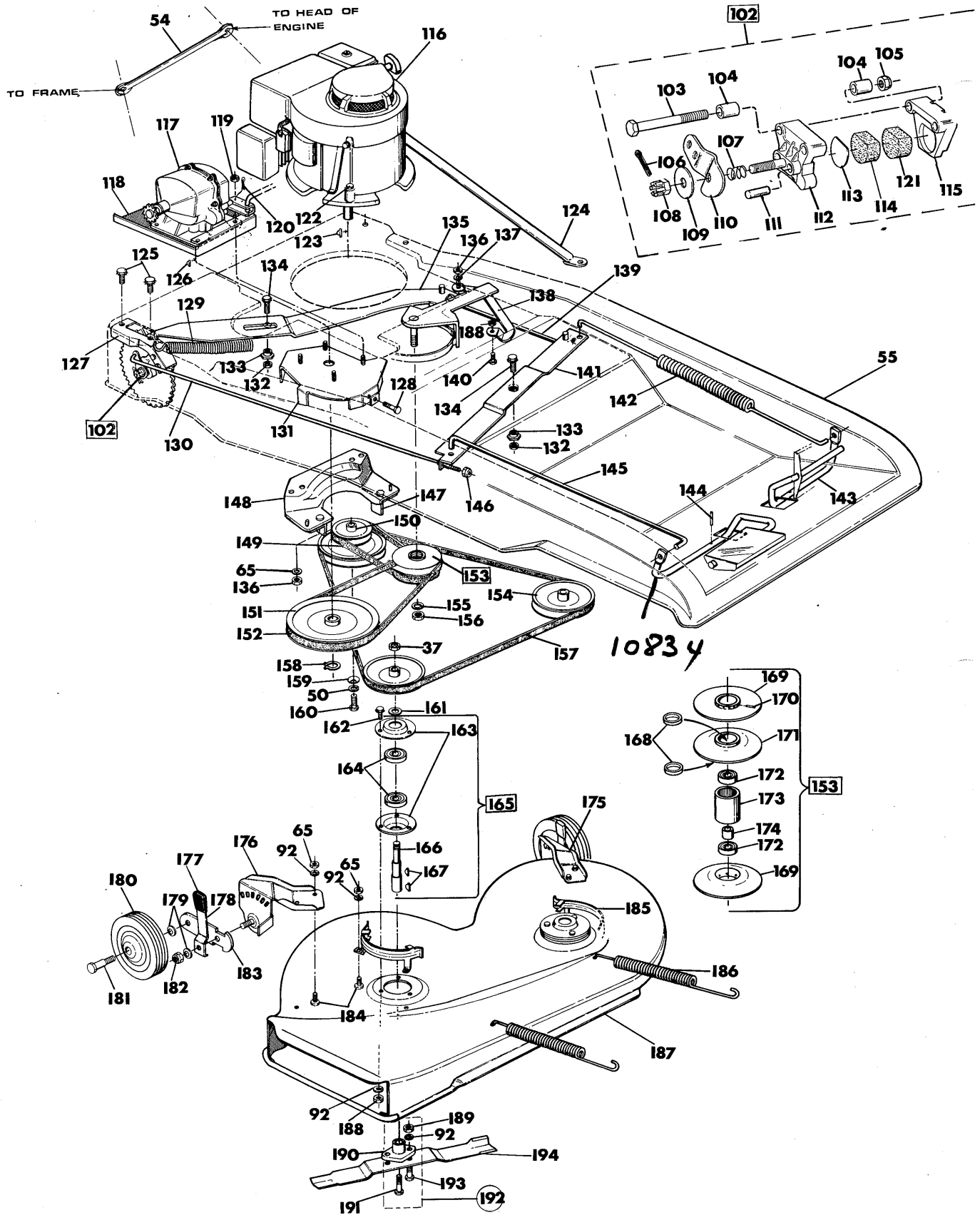
Lubrication points 2 thru 5 have oil impregnated bronze bearings and do not have to be lubricated, however, a light film of oil applied to these bearings will reduce normal friction. Use engine oil for lubrication points 2 thru 8.

2. Upper and lower bearings in steering (total 2 bearings).
3. Front wheel bearings (total 4 bearings).
4. Front axle bearings (total 4 bearings).
5. Rear axle bearings (total 2 bearings).
6. All deck linkage.
7. Height adjusters.
8. Throttle control and cable—wipe oiled rag along entire length of cable.
9. Wheels on cutting unit to be greased once each season with multi-purpose automotive grease. Use hand or pressure type gun.
10. Chain (not shown) oil entire length of chain and wipe off excessive oil.
11. Transmission—lubricated at factory, does not require checking. (Lubricate with 4 oz. of Lubriplate No. 310 grease).
12. Differential—sealed at factory, does not require checking. (Lubricated with 2-oz. of Lubriplate No. 310 grease).

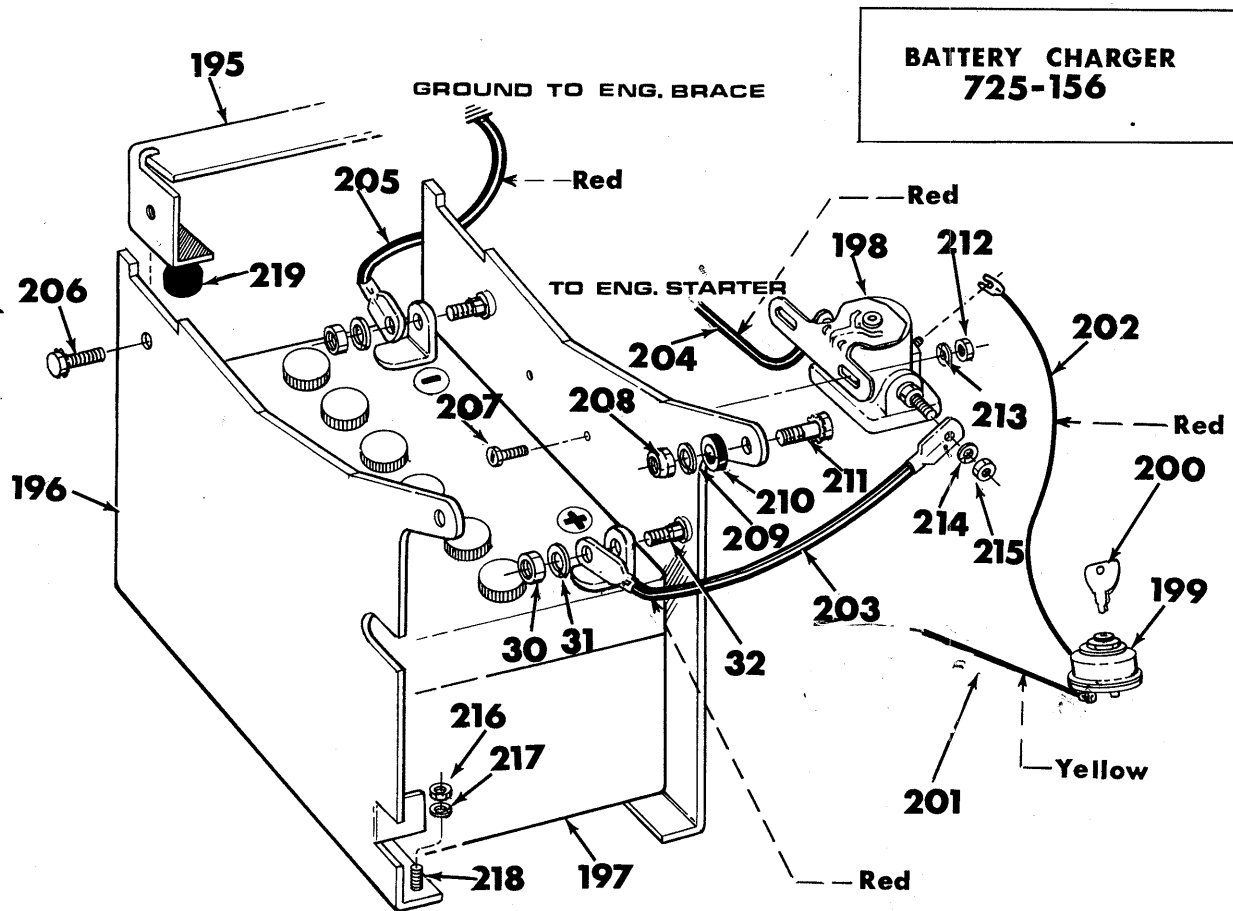
(FIG. 18)
Lubrication Chart



(FIG. 19)



(FIG. 20)



**BATTERY CHARGER
725-156**

NOTE: This instruction manual covers various models and all accessories shown do not necessarily apply to your model mower.

If repairs or service is needed on the engine, please contact your nearest authorized engine service outlet. Check the "Yellow Pages" of your telephone book under "Engines - Gasoline."



FIG.21

ELECTRIC START ONLY

725-117 Battery Specifications		
<p>32 AMPS. HRS. AT 20 HRS PLATES PER CELL 9 ASSEMBLY LEFT HAND WEIGHT WET 22 LBS. WEIGHT DRY 17 LBS.</p>	<p>ELECTROLYTE 2 QUARTS SPLASH PROOF VENTS TERMINALS (L) TYPE 1/4 BOLT FOR NEGATIVE 5/16 BOLT FOR POSITIVE</p>	<p>SIZE 7-3/4 x 5-1/8 x 7-17/64</p>

PARTS LIST FOR MOWER MODEL NO. 131-425 (RECOIL START)
PARTS LIST FOR MOWER MODEL NO. 131-435 (ELECTRIC START)

WHEN ORDERING REPAIR PARTS, ALWAYS GIVE THE FOLLOWING INFORMATION AS SHOWN IN THIS LIST.

1. The PART NUMBER
2. The PART NAME
3. MODEL NUMBER

DO NOT use Reference Numbers when ordering Repair Parts, always use Part Numbers.
 Your lawn mower is right hand (R.H.) or left hand (L.H.) as you mow.

Ref. No.	Part No.	DESCRIPTION
1	710-127	Sheet Metal Screw #10 Thd.x $\frac{1}{2}$ " Lg.*
2	438-10820	Steering Box—Top Cover (131-435)
	438-10821	Steering Box—Top Cover (131-425)
3	438-10819	Steering Box—Front Cover
4	438-10817	Steering Box Assembly
5	720-142	Grip
6	394-10833	Brake Lever
7	735-117	Floor Mat
8	712-130	Elastic Stop Nut $\frac{3}{8}$ -16 Thd.
9	394-10064	Lock Link Assembly
10	712-214	Hex Elastic Stop Nut $\frac{3}{8}$ -24 Thd.
11	710-937	Hex Hd. Cap Screw $\frac{3}{8}$ -16x2 $\frac{1}{2}$ " Lg.*
12	394-10832	Brake Lever Bracket
13	712-267	Hex Nut 5/16-18 Thd.*
14	736-119	Spring Lockwasher 5/16 Screw*
15	305-10614	Rubber Pedal—Pad
16	310-10828	Foot Pedal Assembly—R.H.
17	723-208	Steering Wheel
18	723-207	Steering Wheel Cap
19	715-115	Spirol Pin
20	310-9921	Bearing Cap
21	310-9920	Steering Tube Spacer
22	750-140	Steering Wheel Tubing
23	712-222	Tinnerman Push Nut
24	748-227	Flange Bearing
25	310-9922	Steering Shaft Ass'y.
26	710-260	Carriage Bolt 5/16-18x $\frac{5}{8}$ " Lg.*
27	746-147	Throttle Control—Complete
28	437-10810	Fender—L.H.
29		
30	712-287	Hex Nut $\frac{1}{4}$ -20 Thd.*
31	736-329	Spring Lockwasher $\frac{1}{4}$ Screw*
32	710-134	Carriage Bolt $\frac{1}{4}$ -20 Thd. x $\frac{5}{8}$ " Lg.*
33	310-9709	Axle Assembly—L.H.
34	711-198	Pivot Bushing
35	392-9728	Front Pivot Bracket
36	710-198	Sems Hex Head Cap Screw 5/16-18 x $\frac{3}{4}$ " Lg.*
37	712-923	Hex Locknut $\frac{5}{8}$ -16 Thd.*
38	736-158	Spring Lockwasher $\frac{5}{8}$ Screw*
39	710-312	Hex Hd. Cap Screw $\frac{5}{8}$ -18 x 1.31 Lg.*
40	392-9711	Pivot Bar Assembly
41	711-335	Tie Rod
42	310-9706	Axle Assembly—R.H.
43	736-860	Flat Washer*
44	714-507	Cotter Pin
45	501-10104	Front Wheel Assembly—Comp.
	734-210	Front Wheel—Tire Only
	734-211	Front Wheel—Tube Only
46	312-9156	Front Wheel—Hub Assembly
47	748-184	Flange Bearing—(For Front Wheel Hub)
48	711-169	Collar
49	710-421	Allen Set Screw 5/16-18 x $\frac{1}{4}$ " Lg.*
50	736-217	Spring Lockwasher $\frac{3}{8}$ Screw (Heavy Duty)*
51	712-798	Hex Nut $\frac{3}{8}$ -16 Thd.*
52	710-252	Hex Hd. Cap Screw $\frac{1}{4}$ -20 x $\frac{3}{4}$ " Lg.*
53	715-107	Spirol Pin 5/16*
54	394-10404	Engine Brace (Frame to Engine Head)
55	438-10057	Frame
56	736-119	Spring Lockwasher 5/16 Screw*
57	392-10836	Index Bracket
58	437-10806	Fender Brace
59	712-267	Hex Nut 5/16-18 Thd.*
60	438-9743	Bracket—Lower Deck
61	736-329	Spring Lockwasher $\frac{1}{4}$ " Screw*
62	712-287	Hex Nut $\frac{1}{4}$ -20 Thd.*
63	710-255	Truss Head Mach. Screw $\frac{1}{4}$ -20 x $\frac{3}{4}$ " Lg.*
64	712-267	Hex Nut 5/16-18 Thd.*

PARTS LIST CONTINUED

Ref. No.	Part No.	DESCRIPTION
65	736-119	Spring Lockwasher 5/16" Screw*
66	711-118	Shoulder Bolt 5/16-18 Thd.*
67	392-9721	Pivot Link Assembly
68	711-332	Lift Bracket Pin
69	736-160	Flat Washer*
70	714-101	Hair Pin—Cotter
71	438-9761	Deck Link Assembly
72	438-9735	Connecting Rod
73	438-9737	Slotted Link
74	715-103	Spirol Pin 1/4 x 1" Lg.*
75	392-10838	Lift Shaft Assembly
76	710-501	Hex Hd. Mach. Screw 1/4-20 x 2" Lg.*
77	732-224	Spring Compression
78	736-860	Flat Washer*
79	310-10841	Handle Bracket Assembly
80	310-10837	Lift Handle
81	712-107	Hex Centerlock Nut 1/4-20 Thd.*
82	312-9714	Hub Assembly—Rear
83	502-10108	Rear Wheel Assembly—Comp.
	734-298	Rear Wheel—Tire Only
	748-151	Flange Bearing (For Rear Wheel Hub)
84	715-107	Spirol Pin
85	437-10809	Fender—R.H.
86	312-10824	Engine Box Side Panel—R.H.
87	312-10827	Engine Box Top Panel
88	710-259	Sems Hex Hd. Cap Screw 5/16-18 x 5/8"
89	394-10471	Rear Axle Support Bracket Ass'y.
90	394-10470	Bearing Plate
91	748-151	Flange Bearing 3/4" I.D.
92	736-119	Spring Lockwasher 5/16 Screw*††
93	712-267	Hex Nut 5/16-18 Thd.*
94	710-365	Hex Hd. Cap Scr. 1/2-13 x 7/8" Lg.
95	757-201	Seat—Complete w/molded cover
96	437-10060	Seat Bracket—(131-435)
	437-10174	Seat Bracket—(131-425)
97	720-143	Grip
98	312-10826	Engine Box Front Panel
99	757-199	Seat and Cover—Seat
100	312-10825	Engine Box Side Panel L.H.
101	310-10846	Shift Lever Ass'y.
102	723-229	Disc Brake—Complete
103	1-1187	Cap Screw
104	1171-2	Bushing
105	2-1014	Locknut
106	5-1012	Cotter Pin
107	6-1029	Spring
108	2-1011	Nut
109	3-1030	Washer
110	1210	Cam Lever
111	5-1033	Push Pin
112	1027	Casting—Cam Side
113	3-1031	Disc—Back Up
114	1154-J-79	Friction Pad (.450)
115	1536	Casting—Carrier Side
116		Engine
117	901-8500	Transmission—Complete
118	437-10247	Transmission Plate
119	712-429	Hex Elastic Stop Nut 5/16-18 Thd.*
120	715-119	Spirol Pin—5/32 Dia. x 3/4" Lg.*
121	1154-J-49	Friction Pad (.250)
122	710-442	Hex Hd. Cap Screw 5/16-18 x 1 1/2" Lg.*
123	714-365	Hi Pro Key #505
124	394-10803	Engine Brace
125	710-259	Sems Hex Hd. Cap Screw 5/16-18 x 5/8" Lg.*
126	714-868	Key Woodruff #9
127	437-10245	Disc Brake Bracket Assembly
128	710-117	Hex Hd. Cap Screw 5/16-24 x 1" Lg.—H.T.
129	732-192	Spring—L Variable Drive
130	711-427	Brake Rod
131	437-9780-1	Transmission Belt Guard—Ass'y.
132	712-429	Hex Elastic Stop Nut 5/16-18 Thd.*
133	711-404	Shoulder Nut 5/16-18 T
134	710-322	Sems Hex Hd. Cap Screw 5/16-18 x 1" Lg.*
135	394-9785	Variable Speed Bracket Ass'y.
136	712-267	Hex Nut 5/16-18 Thd.*
137	736-119	Spring Lockwasher 5/16 Screw*
138	394-10173	Variable Speed Bracket Guide Ass'y.
139	310-10080	Variable Speed Rod
140	710-198	Sems Hex Hd. Cap Screw 5/16-18 x 3/4" Lg.*
141	394-10056	Clutch Rod Bar
142	732-198	Extension Spring 17 1/2" Lg.

PARTS LIST CONTINUED

REF. NO.	PART NO.	DESCRIPTION
143	310-10823	Foot Pedal Ass'y.—L.H.
144	715-103	Roll Pin $\frac{1}{8}$ Dia. x $\frac{3}{4}$ " Lg.*
145	310-10078	Foot Pedal Rod
146	712-324	Hex Elastic Stop Nut $\frac{1}{4}$ -20 Thd.*
147	394-10426	Belt Keeper Ass'y.
148	394-10424	Belt Guard—Two Step Engine
149	754-135	"V"—Belt 21/32 x 25" Lg.
150	756-142	Two-Step Engine Pulley
151	756-143	Transmission Pulley
152	754-136	"V"—Belt 21/32 x 31" Lg.
153	901-10438	Variable Speed Pulley—Comp.
154	310-9956	Deck Pulley
155	736-921	Spring Lockwasher $\frac{1}{2}$ " Screw*
156	712-384	Hex Centerlock Nut $\frac{1}{2}$ -13 Thd.*
157	754-127	"V"—Belt 21/32 x 66" Lg.
158	716-115	Snap Ring
159	310-7386	Flat Washer
160	710-152	Hex Hd. Cap Screw $\frac{3}{8}$ -24 x 1" Lg.*
161	736-162	Flat Washer .641 I.D. x 11 Ga.*
162	710-322	Sems Hex Hd. Cap Screw 5/16-18 x 1" Lg.*†
163	310-8253	Bearing Housing†
164	741-919	Ball Bearing†
165	901-9321	Blade Spindle Ass'y.—Complete
166	711-255	Blade Spindle†
167	714-365	Hi Pro Key #505†
168	748-179	Bronze Bushing (Order Ref. No. 171)†
169	748-177	Sheave Half†
170	715-124	Spirol Pin†
171	748-181	Movable Sheave Part†
172	741-139	Ball Bearing†
173	750-144	Steel Tubing†
174	750-146	Spacer
175	437-9081	Wheel Bracket Ass'y.—L.H.
176	437-9079	Wheel Bracket Ass'y. R.H.
177	305-7520	Knob—Height Adjustor
178	310-9008	Spring Lever
179	736-105	Belleville Washer
180	501-10233	Wheel Ass'y.—Mower Deck
181	738-119	Axle Bolt
182	712-214	Locknut $\frac{3}{8}$ -24 Thd.*
183	310-7492	Pivot Bar (Height Adj. Cutting Deck)
184	710-289	Hex Hd. Cap Screw $\frac{1}{4}$ -20 x $\frac{1}{2}$ " Lg.*
185	438-9733	Deck Belt Guard
186	732-153	Extension Spring
187	438-9738	Deck
188	712-267	Hex Nut 5/16-18 Thd.*
189	712-123	Hex Nut 5/16-24 Thd.*††
190	748-189	Blade Adapter††
191	710-489	Hex Hd. Cap Screw $\frac{3}{8}$ -24 x 1 $\frac{1}{2}$ " H.T.††
192	901-10769	Blade Adapter Kit/less Blade
193	710-117	Hex Hd. Cap Screw 5/16-24 x 1" Lg. Heat Treated††
194	304-9150 C9150	Blade—15"
195	437-10062	Battery Box Bracket (131-435)
196	437-10059	Battery Box (131-435)
197	725-117	Battery (131-435)
198	725-185	Starter—Solenoid (131-435)
199	725-200	Starter—Switch (131-435)
200	725-201	Starter—Key (131-435)
201	725-213	Wire (Yellow 44" Lg.) (131-435)
202	725-212	Wire (Red 48" Lg.) (131-435)
203	725-122	Wire (Red 7 $\frac{1}{4}$ " Lg.) (131-435)
204	725-150	Wire (Red 11 $\frac{1}{2}$ " Lg.) (131-435)
205	725-122	Wire (Red 7 $\frac{1}{4}$ " Lg.) (131-435)
206	710-216	Hex Hd. Cap Screw $\frac{3}{8}$ -16 x $\frac{3}{4}$ " Lg.* (131-435)
207	710-252	Hex Hd. Cap Screw $\frac{1}{4}$ -20 x $\frac{3}{4}$ " Lg.* (131-435)
208	712-429	Hex Elastic Stop Nut 5/16-18 Thd.* (131-435)
209	736-264	Flat Washer (131-435)
210	736-161	Rubber Washer (131-435)
211	710-198	Sems Hex Hd. Cap Scr. 5/16-18 x $\frac{3}{4}$ " Lg.* (131-435)
212	712-287	Hex Nut $\frac{1}{4}$ -20 Thd.* (131-435)
213	736-329	Spring Lockwasher $\frac{1}{4}$ Screw* (131-435)
214	736-119	Spring Lockwasher 5/16 Screw* (131-435)
215	712-123	Hex Nut 5/16-24 Thd.* (131-435)
216	712-267	Hex Nut 5/16-18 Thd.* (131-435)
217	736-119	Spring Lockwasher 5/16 Screw* (131-435)
218	710-198	Sems Hex Hd. Cap Scr. 5/16-18 x $\frac{3}{4}$ " Lg.* (131-435)
219	735-109	Stem Bumper (131-435)
220	710-259	Hex Hd. Cap Scr. 5/16-18 x $\frac{5}{8}$ " Lg.

*For faster service, obtain standard nuts, bolts, and washers locally. If these items cannot be obtained locally, order by part number and size as shown on the parts list.

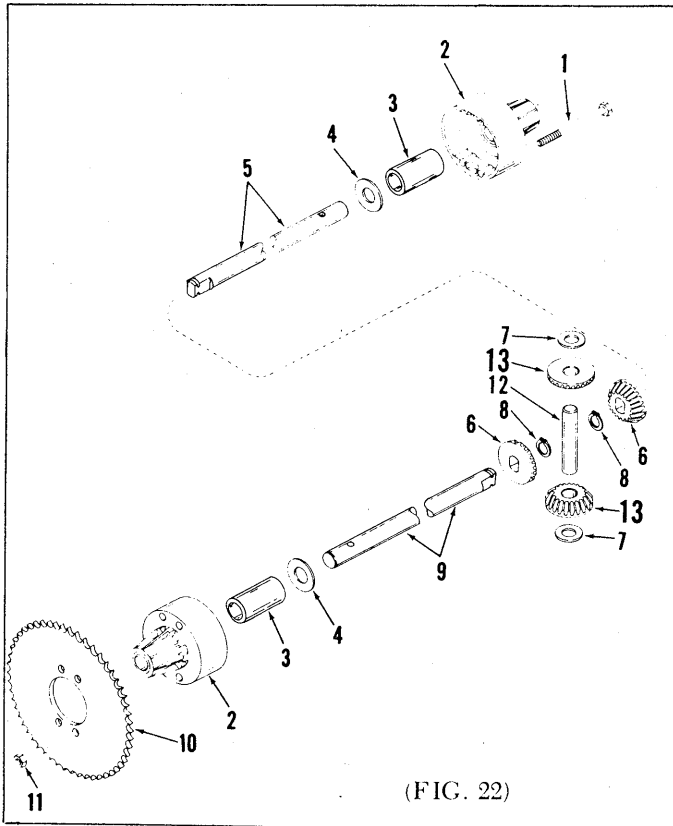
†Part of variable speed pulley—complete 901-10438

**Part of Blade spindle—complete 901-9321.

††Part of Blade Adapter Kit Complete/less Blade 901-10769.

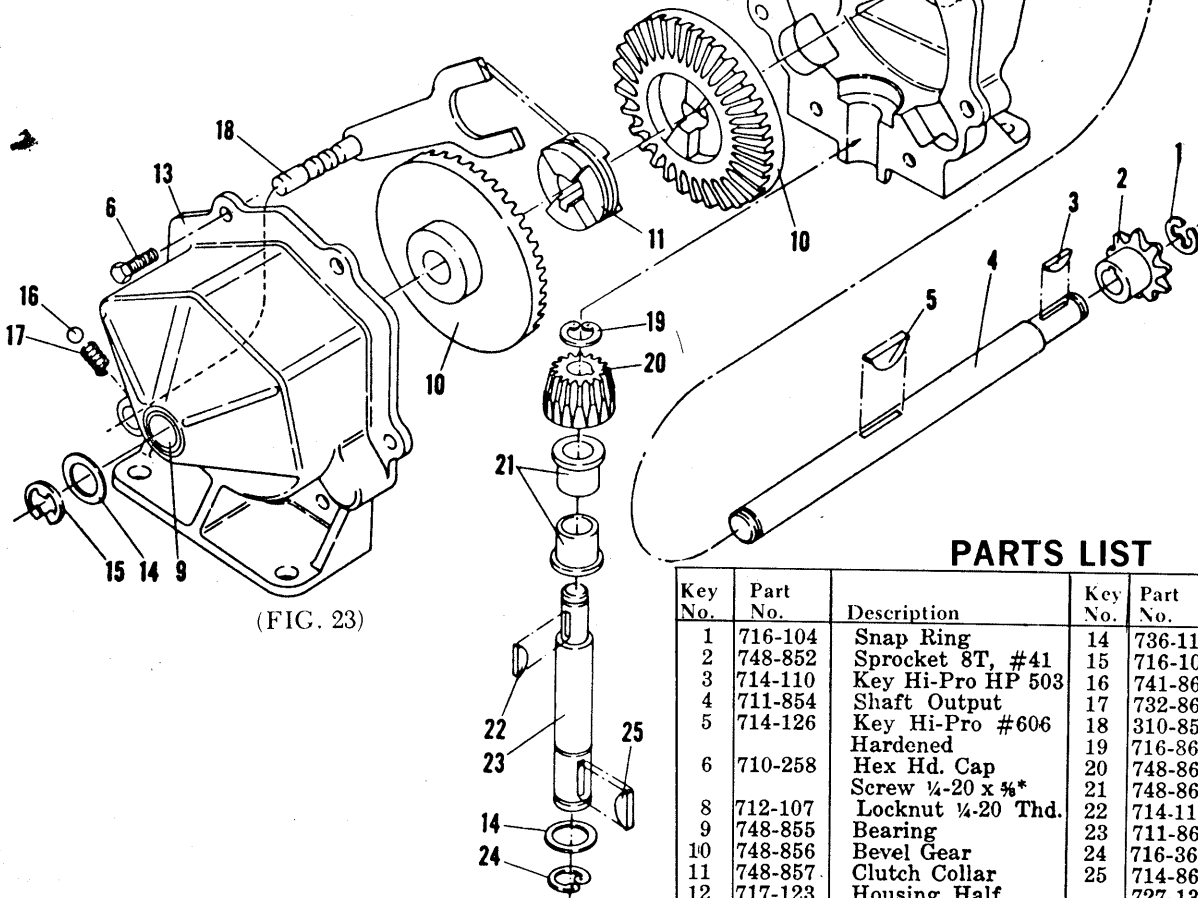
When ordering replacement tires include all the information on the side wall of the tire such as the size and brand name.

901-9795 PARTS LIST — DIFFERENTIAL



(FIG. 22)

Ref. No.	Part No.	DESCRIPTION
1	710-363	Hex Head Cap Screw #16-18 x 4" lg. °
2	719-150	Differential Housing (2 Req'd)
3	748-169	Sleeve Bearing (2 Req'd)
4	736-188	Washer (2 Req'd)
5	738-128	Shaft — Long
6	748-185	Miter Gear Double "D" Hole
7	736-182	Flat Washer (2 Req'd)
8	716-101	Truarc Snap Ring (2 Req'd)
9	738-127	Shaft — Short
10	394-9054	Sprocket
11	712-158	Hex Center Lock Nut #16-18 thread*
12	711-276	Drive Pin
13	748-158	Miter Gear Round Hole
14	715-123	Dowel Pin (Not Shown)



(FIG. 23)

PARTS LIST

Key No.	Part No.	Description	Key No.	Part No.	Description
1	716-104	Snap Ring	14	736-116	Washer
2	748-852	Sprocket 8T, #41	15	716-106	Snap Ring
3	714-110	Key Hi-Pro HP 503	16	741-862	Ball-Detent
4	711-854	Shaft Output	17	732-863	Spring-Detent
5	714-126	Key Hi-Pro #606	18	310-8583	Detent Shaft Assy.
		Hardened	19	716-865	Snap Ring #3100-50
6	710-258	Hex Hd. Cap Screw 1/2-20 x 3/4"	20	748-866	Bevel Pinion
		°	21	748-867	Bearing
8	712-107	Locknut 1/2-20 Thd.	22	714-110	Key Hi-Pro HP 503
9	748-855	Bearing	23	711-869	Shaft Input
10	748-856	Bevel Gear	24	716-361	Snap Ring
11	748-857	Clutch Collar	25	714-868	Key Woodruff #9*
12	717-123	Housing Half		727-136	Lubriplate No. 310
13	717-124	Housing Half with Detent Hole			4 ounces

*For faster service obtain standard nuts, bolts and washers locally. If these items cannot be obtained locally, order by part number and size as shown on the parts list.