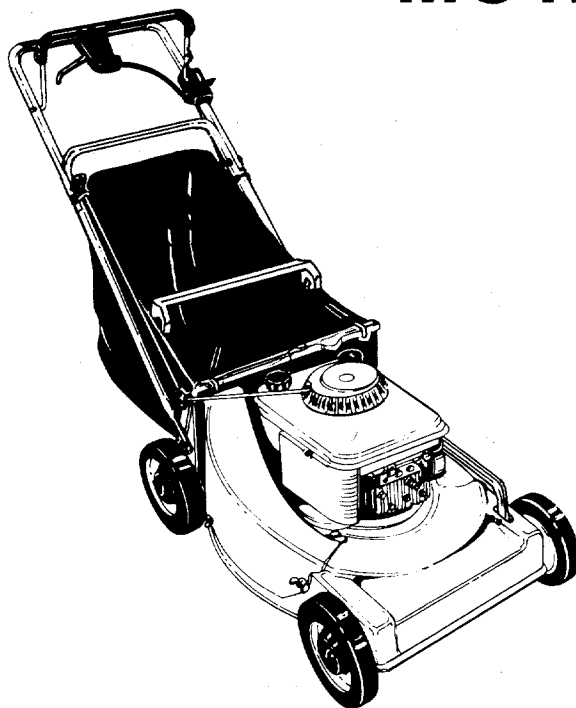


OWNER'S GUIDE

Thank you for purchasing an American-built product.

21" CONVERTIBLE ROTARY MOWERS



(Model 836R Shown)

Model Numbers

129-826R401

129-836R401

129-837R401

129-838R401

190-081-000

Important:
Read Safety Rules and Instructions Carefully

INDEX

Slope Gauge	3
Contents of Hardware Pack	4
Safe Operation	5
Assembly Instructions	6
Controls	13
Operation	14
Adjustments	15
Lubrication	16
Maintenance	17
Off-Season Storage	19
Replacement Parts	20-23
Trouble Shooting Guide	24
Parts Information	Back Cover

Dear Customer,
So often throughout the year we are all in a rush to meet our daily obligations. However, we at MTD Products Inc are taking a quick moment out to say...
“Thank you for your business.”
Sincerely,
MTD PRODUCTS INC

 **INSTRUCTIONS GIVEN WITH THIS SYMBOL ARE FOR PERSONAL SAFETY. BE SURE TO FOLLOW THEM.**

LIMITED WARRANTY

For one year from the date of original retail purchase, MTD PRODUCTS INC will either repair or replace, at its option, free of charge, F.O.B. factory or authorized service firm, any part or parts found to be defective in material or workmanship. Transportation charges for the movement of any power equipment unit or attachment are the responsibility of the purchaser. Transportation charges for any parts submitted for replacement under this warranty must be paid by the purchaser unless such return is requested by MTD PRODUCTS INC.

This warranty will not apply to any part which has become inoperative due to misuse, excessive use, accident, neglect, improper maintenance, alterations, or unless the unit has been operated and maintained in accordance with the instructions furnished. This warranty does not apply to the engine, Peerless components, motor, battery (except as noted below) or component parts thereof. Please refer to the applicable manufacturer's warranty on these items.

A battery which proves defective within ninety (90) days will be replaced without charge. After 90 days but within one year from the date of purchase, MTD will replace the defective battery for a charge of 1/12 of the current retail price of the battery for each full 30 day period between the date of purchase and the date of return.

This warranty will not apply where the unit has been used commercially.

Warranty service is available through your local authorized service dealer or distributor. If you do not know the dealer or distributor in your area, please write to the Customer Service Department of MTD.

The return of a complete unit will not be accepted by the factory unless prior written permission has been extended by MTD.

This warranty gives you specific legal rights. You may also have other rights which vary from state to state.

WARNING: This unit is equipped with an internal combustion engine and should not be used on or near any unimproved forest-covered, brush-covered or grass-covered land unless the engine's exhaust system is equipped with a spark arrester meeting applicable local or state laws (if any). If a spark arrester is used, it should be maintained in effective working order by the operator.

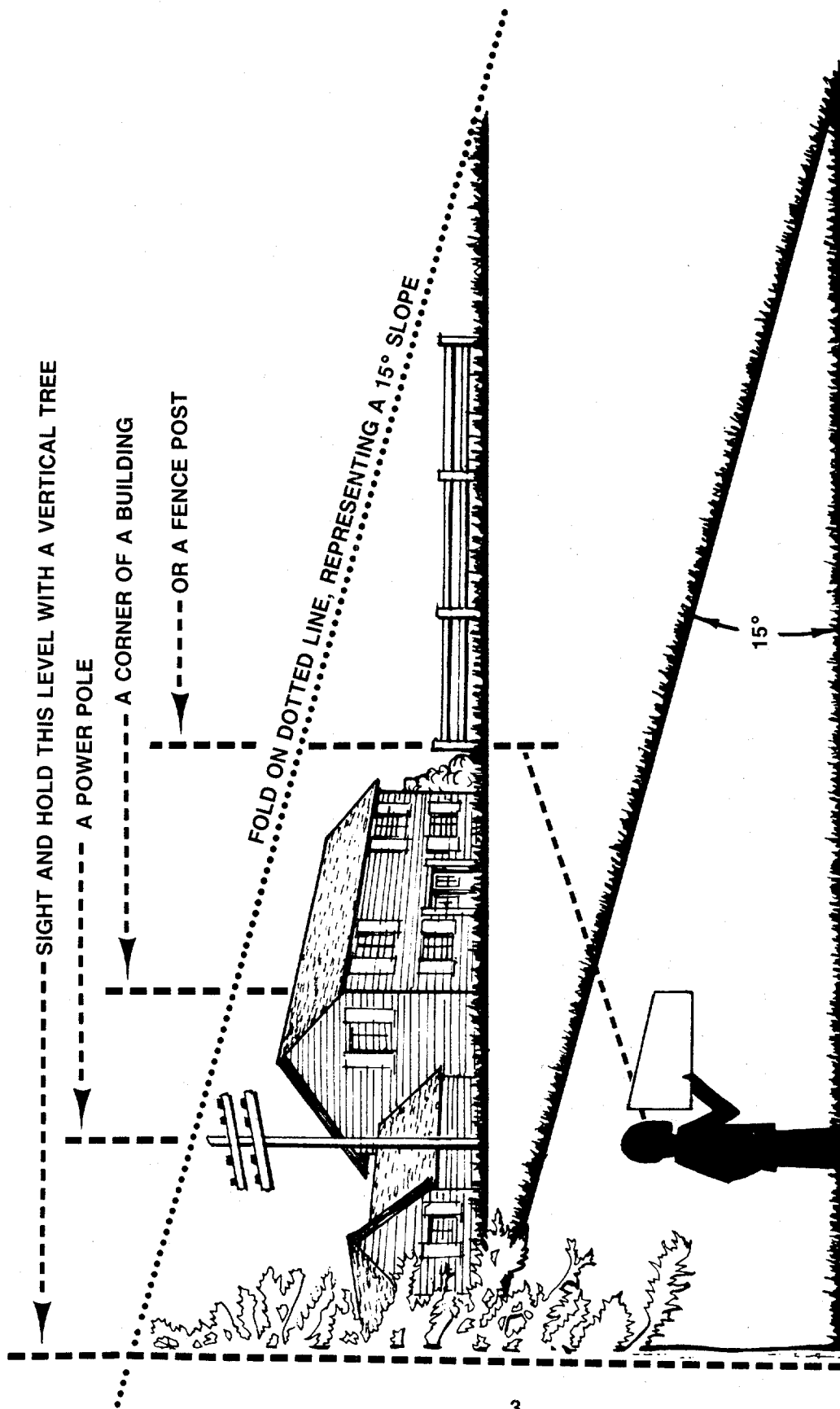
In the State of California the above is required by law (Section 4442 of the California Public Resources Code). Other states may have similar laws. Federal laws apply on federal lands. A spark arrester for the muffler is available through your nearest engine authorized service dealer.

Cut Along This Line

USE THIS SHEET AS A GUIDE TO DETERMINE SLOPES WHERE YOU MAY NOT OPERATE SAFELY.

SLOPE GAUGE

(Keep this sheet in a safe place for future reference.)



Do not mow on inclines with a slope in excess of 15 degrees (a rise of approximately 2½ feet every 10 feet). A riding mower could overturn and cause serious injury. If operating a walk-behind mower on such a slope, it is extremely difficult to maintain your footing and you could slip, resulting in serious injury.

Operate RIDING mowers up and down slopes, never across the face of slopes.

Operate WALK-BEHIND mowers across the face of slopes, never up and down slopes.

CONTENTS OF HARDWARE PACK

Remove this sheet from your owner's manual and lay the hardware on the illustration for identification purposes. After assembly, keep the Slope Gauge which is on the reverse side of this sheet for future use.
(Hardware pack may contain extra items which are not used on your unit.)


<p>A ATTACHING THE LOWER HANDLE</p> <p>Truss Machine Screw 5/16-18 x 3/4" Long</p> <p>Split Washer 5/16" I.D.</p> <p>Hex Nut 5/16-18 Thread</p>	<p>Model 826R Only:</p>	<p>E ATTACHING THE DRIVE CLUTCH CONTROL CABLE</p> <p>Plastic Cap</p> <p>Phillips Head Screws</p>
<p>B ATTACHING THE UPPER HANDLE</p> <p>Rope Guide Bolt</p> <p>Curved Head Bolt</p> <p>Split Washers 5/16" I.D.</p> <p>Hex Nuts 5/16-18 Thread</p>		<p>F FINAL ASSEMBLY</p> <p>Plastic Plug</p>
<p>C GRASS CATCHER ASSEMBLY (Models 836R thru 838R)</p> <p>Self-Tapping Screws 1 1/4" Long</p>	<p>G ATTACHING THE CHUTE DEFLECTOR (Model 826R Only)</p> <p>Wing Nuts</p>	
<p>D SECURING THE CABLES</p> <p>Cable Ties</p> <p>Cable Clamp</p>		



IMPORTANT

RULES FOR SAFE OPERATION



THIS SYMBOL POINTS OUT IMPORTANT SAFETY INSTRUCTIONS WHICH, IF NOT FOLLOWED, COULD ENDANGER THE PERSONAL SAFETY AND/OR PROPERTY OF YOURSELF AND OTHERS. READ AND FOLLOW ALL INSTRUCTIONS IN THIS MANUAL BEFORE ATTEMPTING TO OPERATE YOUR LAWN MOWER. FAILURE TO COMPLY WITH THESE INSTRUCTIONS MAY RESULT IN PERSONAL INJURY. WHEN YOU SEE THIS SYMBOL—  **HEED ITS WARNING.**



DANGER

Your lawn mower was built to be operated according to the rules for safe operation in this manual. As with any type of power equipment, carelessness or error on the part of the operator can result in serious injury. If you violate any of these rules, you may cause serious injury to yourself or others.



TRAINING

1. Read this owner's manual carefully in its entirety before attempting to assemble or operate this machine. Be completely familiar with the controls and the proper use of this machine before operating it. Keep this manual in a safe place for future and regular reference and for ordering replacement parts.
2. Your rotary mower is a precision piece of power equipment, not a plaything. Therefore, exercise extreme caution at all times.
3. Never allow children to operate a power mower. Only persons well acquainted with these rules of safe operation should be allowed to use your mower.
4. Keep the area of operation clear of all persons, particularly small children and pets. Stop engine when they are in the vicinity of your mower to help prevent blade contact or thrown object injury. Although the area of operation should be completely cleared of foreign objects, an object may have been overlooked and could be accidentally thrown by the mower in any direction and cause serious personal injury to the operator or any others allowed in the area.



PREPARATION

1. Thoroughly inspect the area where the equipment is to be used. Remove all stones, sticks, wire, bones and other foreign objects which could be picked up and thrown by the mower in any direction and cause serious personal injury to the operator or any others allowed in the area.
2. Always wear safety glasses or eye shields during operation or while performing an adjustment or repair, to protect eyes from foreign objects that may be thrown from the machine in any direction.
3. Wear sturdy, rough-soled work shoes and close-fitting slacks and shirts to avoid entanglement in the moving parts. Never operate a unit in bare feet, sandals, or sneakers.
4. Check the fuel before starting the engine. Gasoline is an extremely flammable fuel. Do not fill the gasoline tank indoors, while the engine is running, or until engine has been allowed to cool for two minutes after running. Replace gasoline cap securely and wipe off any spilled gasoline before starting the engine as it may cause a fire or explosion.
5. Disengage the self-propelled mechanism or drive clutch on units so equipped before starting the engine.
6. The blade control handle is a safety device. Never attempt to bypass its operation. Doing so makes the safety device inoperative and may result in personal injury through contact with the rotating blade. The blade control handle must operate easily in both directions.
7. Never attempt to make a wheel or cutting height adjustment while the engine is running.
8. Never operate the equipment in wet grass. Always be sure of your footing. A slip and fall can cause serious personal injury. Keep a firm hold on the handle and walk, never run. Mow only in daylight or in good artificial light.

9. For your safety, use the slope gauge included as part of this manual to measure slopes before operating this unit on a sloped or hilly area. If the slope is greater than 15° as shown on the slope gauge, do not operate this unit on that area or serious injury could result.



OPERATION

1. Do not change the engine governor settings or overspeed the engine. Excessive engine speeds are dangerous.
2. Do not put hands or feet near or under rotating parts. Keep clear of the discharge opening at all times as the rotating blade can cause injury.
3. Stop the blade when crossing gravel drives, walks or roads.
4. After striking a foreign object, stop the engine, remove the wire from the spark plug, and thoroughly inspect the mower for any damage. Repair the damage before restarting and operating the mower.
5. If the equipment should start to vibrate abnormally, stop the engine and check immediately for the cause. Vibration is generally a warning of trouble.
6. Shut the engine off and wait until the blade comes to a complete stop before removing the grass catcher or unclogging the chute. The cutting blade continues to rotate for a few seconds after the engine is shut off. Never place any part of the body in the blade area until you are sure the blade has stopped rotating.
7. Before cleaning, repairing or inspecting, make certain the blade and all moving parts have stopped. Disconnect the spark plug wire, and keep the wire away from the spark plug to prevent accidental starting.
8. Do not run the engine indoors.
9. Mow across the face of slopes, never up-and-down. Exercise extreme caution when changing direction on slopes. Do not mow excessively steep slopes. Always be sure of your footing. A slip and fall can cause serious personal injury.
10. Never operate mower without proper guards, plates or other safety protective devices in place.
11. Do not operate this mower with the chute door open, unless the complete grass catcher is properly mounted on the mower.



MAINTENANCE AND STORAGE

1. Check the blade and engine mounting bolts at frequent intervals for proper tightness.
2. Keep all nuts, bolts, and screws tight to be sure the equipment is in safe working condition.
3. Never store the equipment with gasoline in the tank inside of a building where fumes may reach an open flame or spark. Allow the engine to cool before storing in any enclosure.
4. To reduce fire hazard, keep the engine free of grass, leaves, or excessive grease.
5. Check the grass catcher bag frequently for wear or deterioration. For safety protection, replace only with new bag meeting original equipment specifications.

➔ **IMPORTANT:** This unit is shipped **WITHOUT GASOLINE** or **OIL**. After assembly, service engine with gasoline and oil as instructed in the separate engine manual packed with your unit.

➔ **NOTE:** Reference to right or left hand side of the mower is observed from the operating position. This instruction manual covers various models. Follow only these instructions which pertain to your unit.

ASSEMBLY INSTRUCTIONS

Tools Required for Assembly

- (1) Phillips Head Screwdriver
- (1) 1/2" Wrench*
- (1) 5/16" Wrench or Nutdriver*
- *Or one 6" Adjustable Wrench.

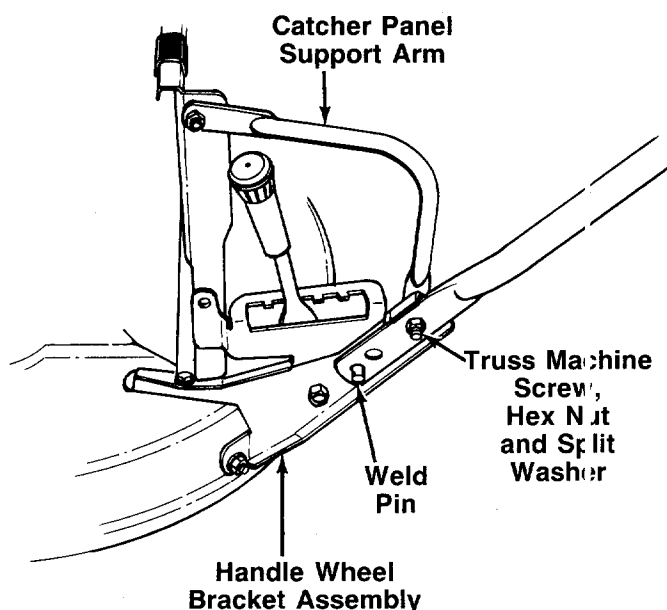


FIGURE 1.—Models 836R thru 838R Shown

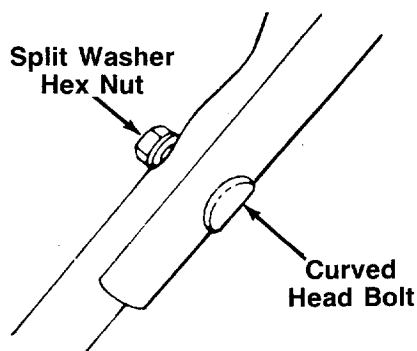


FIGURE 2.

UNPACKING

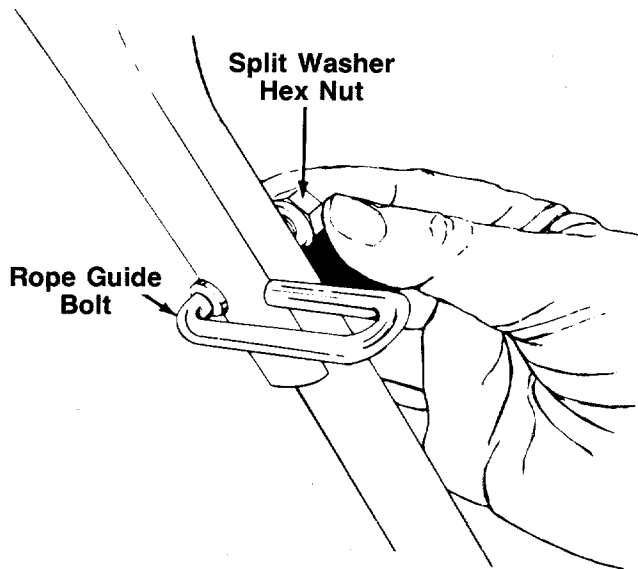
1. Remove the lawn mower from the carton by opening the top flaps and lifting the unit out. Be careful of the staples. Make certain all parts and literature have been removed from the carton before the carton is discarded.
2. Disconnect and ground the spark plug wire by hooking it into the "V" slot on the engine. Check beneath the deck for any cardboard packaging. Remove if present.
3. Stretch out all control cables and place on the floor. Be careful not to bend or kink the cables at any time during assembly.
4. Remove page four from this manual and lay the contents of the hardware pack on the illustration for identification.

ATTACHING THE LOWER HANDLE (Hardware A)

1. For shipping purposes your mower is set with the wheels in the lowest cutting height position. Raise the mower to the highest setting for assembly of lower handle.
2. **Models 836R thru 838R:** On the left side of the mower, remove the truss machine screw, hex nut and split washer from the handle wheel bracket assembly as shown in figure 1.
3. Attach the lower handle by placing the bottom holes in the lower handle over the weld pins on the handle wheel bracket assemblies. Make certain the instruction label on the lower handle can be read from the operating position.
4. **Models 836R thru 838R:** Pivot catcher panel support arm in position as shown in figure 1. Insert truss machine screw through catcher panel support arm, wheel bracket assembly and handle. Secure using the split washer and hex nut removed in step 2. Tighten securely.
5. Secure the right side of the handle to handle wheel bracket assembly using truss machine screw, 5/16" split washer and hex nut. Tighten securely.
6. **Model 826R only:** Secure the left side of the handle to the handle wheel bracket assembly in the same manner.

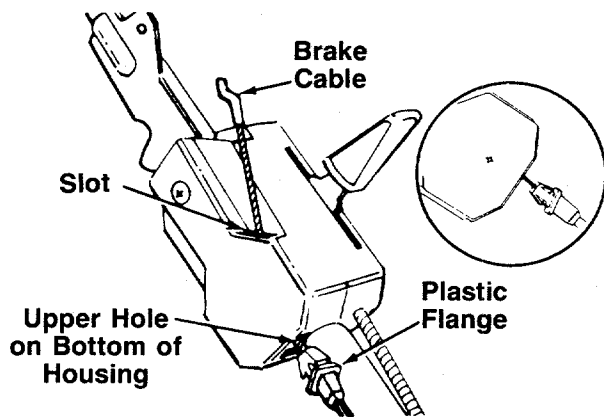
ATTACHING THE UPPER HANDLE (Hardware B)

1. Place the upper handle in position over the lower handle. The label on the throttle control housing and the control lever must be facing up.
2. Secure the left hand side of upper handle using the curved head bolt, split washer and hex nut as shown in figure 2.



3. Insert the rope guide bolt through the right hand side of upper and lower handle. See figure 3. Secure with split washer and hex nut, finger tight only.

FIGURE 3.



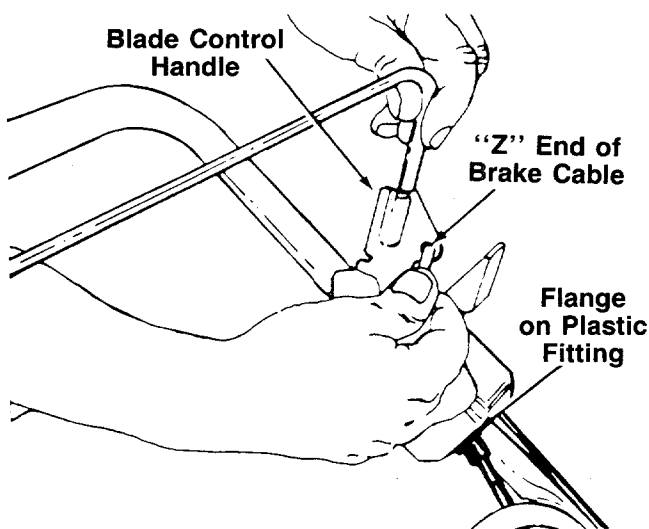
ATTACHING THE BRAKE CABLE

1. The brake cable is attached to the engine, and has a "Z" fitting on the loose end. Route the brake cable in back of the engine, to the outside of the height adjustment handle and handle mounting bracket, and below the lower handle. Place end of cable into the upper hole on the bottom of the control housing, and through the slot as shown. The angle of the plastic flange must be positioned downward as shown in figure 4. Be careful not to bend or kink the cable at any time.
2. Push the plastic fitting until it locks into the control housing.

FIGURE 4.



Brake cable must be assembled as shown for proper blade brake operation.



3. Hook the "Z" end of the brake cable into the hole in the blade control handle from the inside to the outside as shown in figure 5.

FIGURE 5.

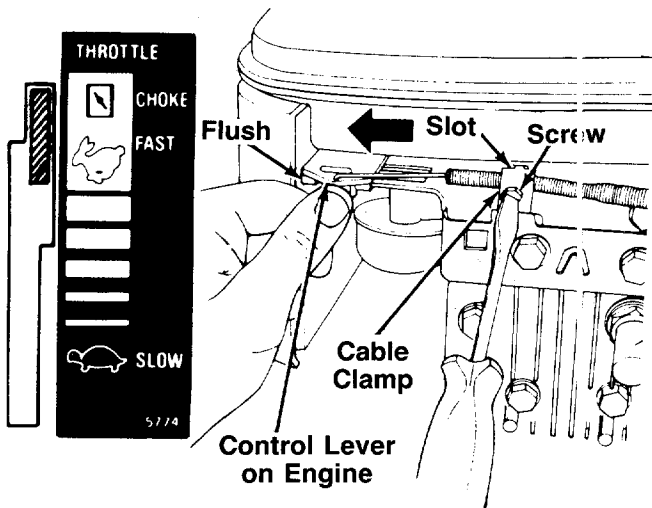


FIGURE 6A.—Models 826R and 836R

ATTACHING THE THROTTLE CABLE

Models 826R and 836R Only:

1. Push the throttle control lever on the handle all the way forward to CHOKE position. See figure 6A.
2. The throttle control cable is attached to the upper handle. Route the throttle control cable under the lower handle. Route the cable to the **outside** of the handle wheel bracket assembly and height adjustment lever. Hook the "Z" end of the throttle control cable into the hole in the control lever on the engine. See figure 6A.
3. Using a 5/16" wrench or nutdriver, remove the screw on the cable clamp shown in figure 6A. Slip the control cable under the clamp. Replace the screw (cable should be above the screw), but do not tighten screw (cable must still move freely beneath the clamp). Make certain the tab on the cable clamp is seated into the slot on the engine.
4. Push the control lever on the engine as far toward the **outside** of the engine as it will go. The edge of the control lever should be flush with the bracket on the engine. See figure 6A. Hold the control lever in this position as you tighten the screw on the cable clamp to secure the throttle cable.
5. Loosen the screw on the clamp on the side of the engine. Slip the cable casing under the clamp to secure the cable **away from the muffler**. Be careful not to bend or kink the cable. Tighten the screw.

ATTACHING THE THROTTLE CABLE

Models 837R and 836R Only:

1. Place the throttle control lever on the handle in FAST position.
2. The throttle control cable is attached to the upper handle. Route the throttle control cable under the lower handle and to the outside of the handle wheel bracket assembly and height adjustment lever. Hook the "Z" end of the throttle control cable into the control lever on the engine as shown in figure 6B.

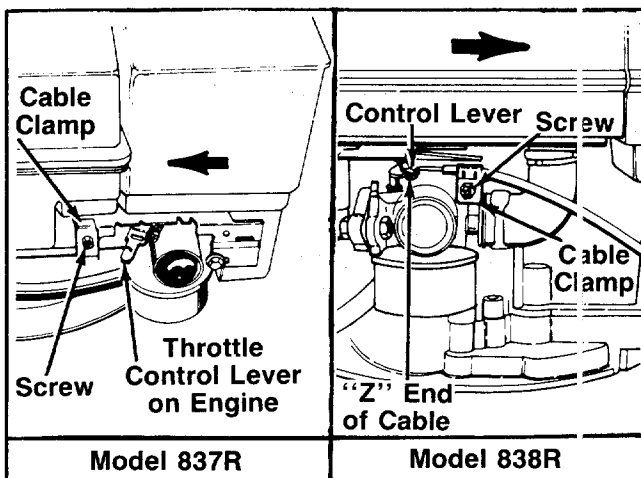


FIGURE 6B.—Models 837R and 838R

NOTE

On model 837R, the control lever is on the right side of the engine. Hook the cable into the lever, then push the cable down between the engine and the catcher panel. Make certain the throttle cable does not interfere with the brake cable.

3. Loosen (do not remove) the screw on the cable clamp shown in figure 6B. Slip the control casing under the clamp (cable must move freely beneath the clamp).
4. Place the control lever on the engine in the full open position by pushing it as far toward the **rear** of the unit as it will go. Tighten the screw on the cable clamp to secure the cable in this position.

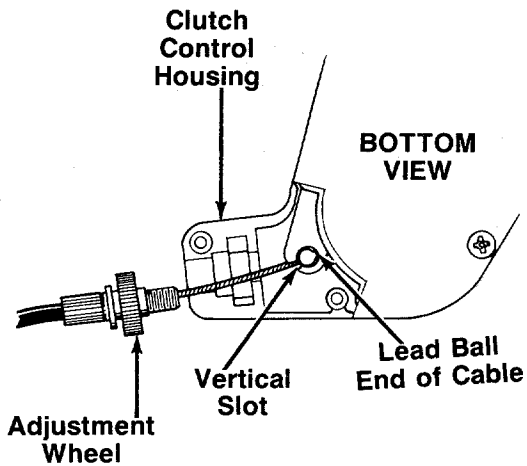


FIGURE 7.

ATTACHING THE DRIVE CLUTCH CONTROL CABLE (Hardware E)

The drive clutch control cable is attached to the deck. Attach the cable to the lever in the clutch control housing, located in the middle of the upper handle, as follows.

1. Place the lead ball end of the cable into the fitting provided in the end of the clutch control lever. Slip the braided wire into the vertical slot as shown in figure 7.
2. Slide the braided wire around in the horizontal slot.

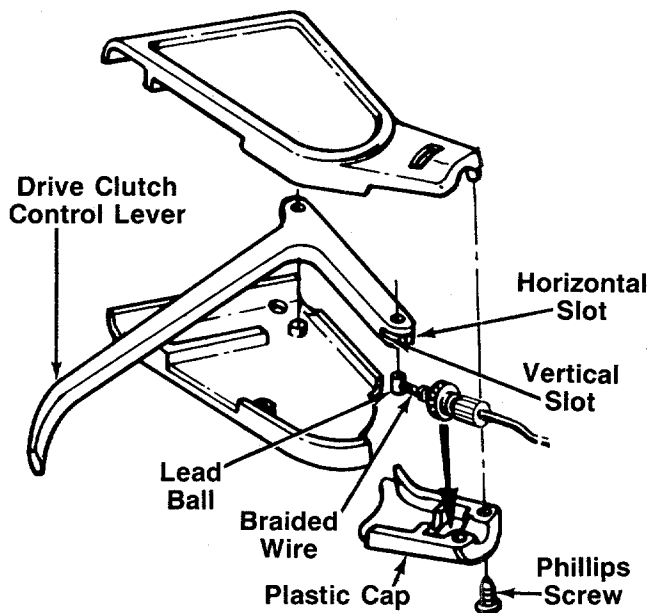


FIGURE 8.

3. Make certain the adjustment wheel is threaded onto the cable as far as possible as shown in figure 8. Place the adjustment wheel into the clutch control housing.
4. Secure the plastic cap to the clutch control housing using the two Phillips head screws. See figure 8.



WARNING

Drive clutch adjustment must be checked before the unit is operated, as described in the operation section.

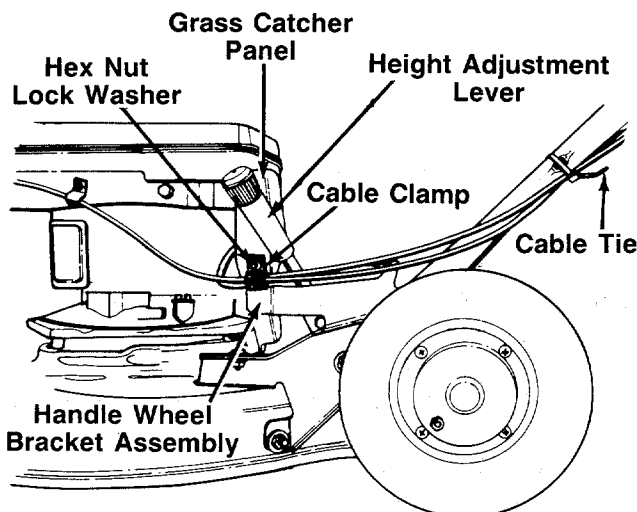


FIGURE 9.—Model 836R

SECURING THE CABLES (Hardware D)

Attach the brake and throttle control cables to the left handle wheel bracket assembly as follows, using the cable clamp provided.

1. Open the clamp and slip the cables inside.
2. Remove the top hex nut and lock washer on the side of the left handle wheel bracket assembly. Attach the cable clamp as shown in figure 9. Secure with lock washer and hex nut.
3. Place the height adjustment lever in the lowest position.

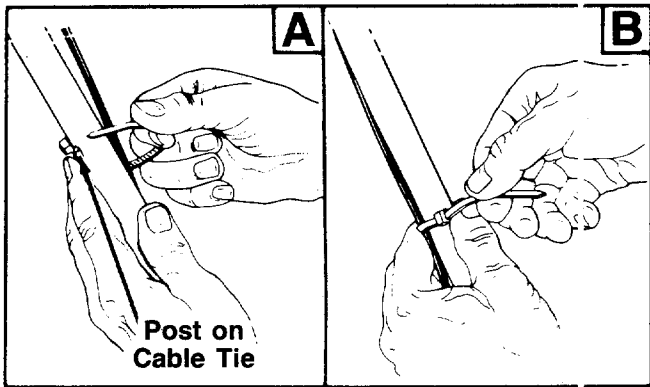


FIGURE 10.

Secure **all** the control cables to the left side of the handle with the cable ties as follows, taking the slack out of the cables so they do not contact the wheel.

1. Insert posts on cable ties into holes provided on the lower handle, one near the top and one near the bottom of lower handle. The holes may be on either the inside or outside of the handle. See figure 10A.
2. Secure the cables with the cable ties. See figure 10B.
3. Trim excess ends of cable ties.

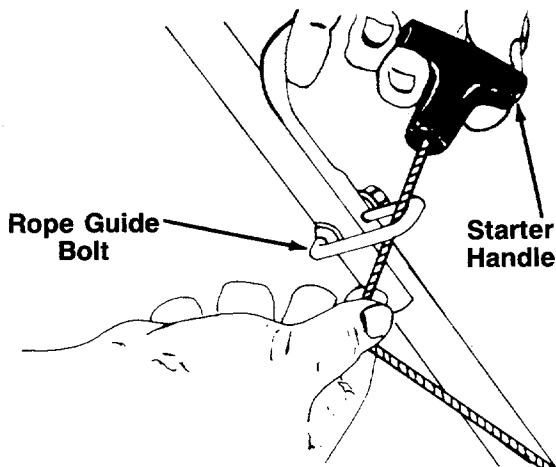


FIGURE 11.

ATTACHING THE STARTER ROPE

1. The starter rope protrudes from the top of the engine. **On Models 836R thru 838R**, the starter rope may be already attached to the rope guide at the catcher panel. Additional rope may be wound around the starter handle. If so, unwind the rope from the handle.
2. With the spark plug wire disconnected and grounded, depress the blade control handle and pull the rope out of the engine.
3. Slip the starter rope into the rope guide bolt as shown in figure 11.
4. Tighten the hex nut on the rope guide bolt securely.

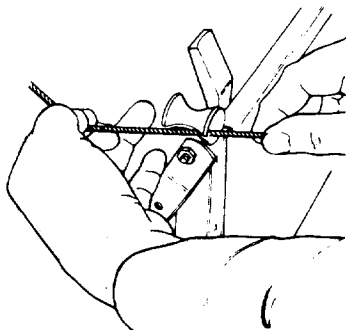


FIGURE 12.

5. **Models 836R thru 838R:** If not already assembled, slip the starter rope into the rope guide as shown in figure 12.

FINAL ASSEMBLY OF MOWER (Hardware F)

1. If plastic plug is needed and is not already assembled, insert plastic plug into hole in the top rear of the deck by slipping one end of plug into hole, then pressing down on the other end of plug. Use a soft hammer if necessary.
2. Make certain **all** nuts and bolts are tightened securely.

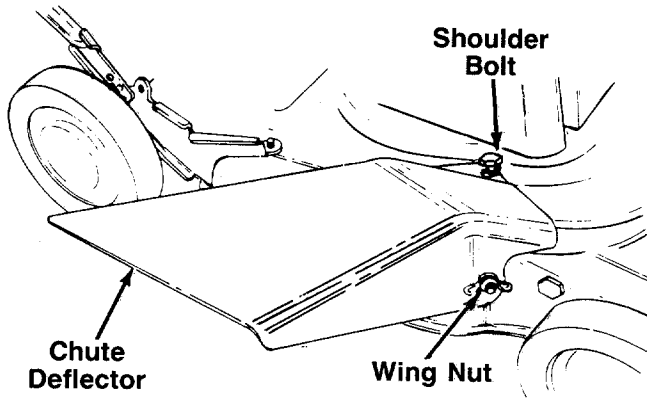


FIGURE 13.

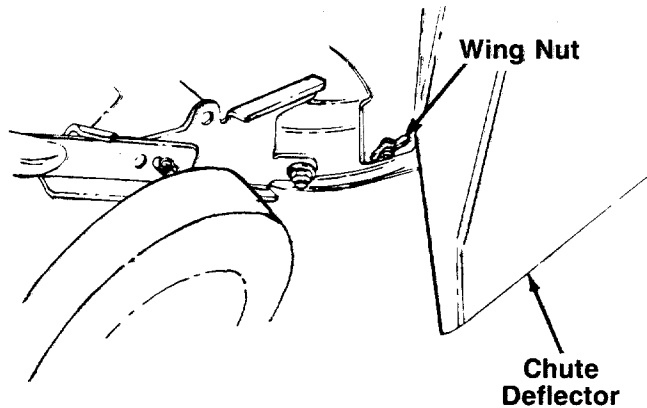


FIGURE 14.

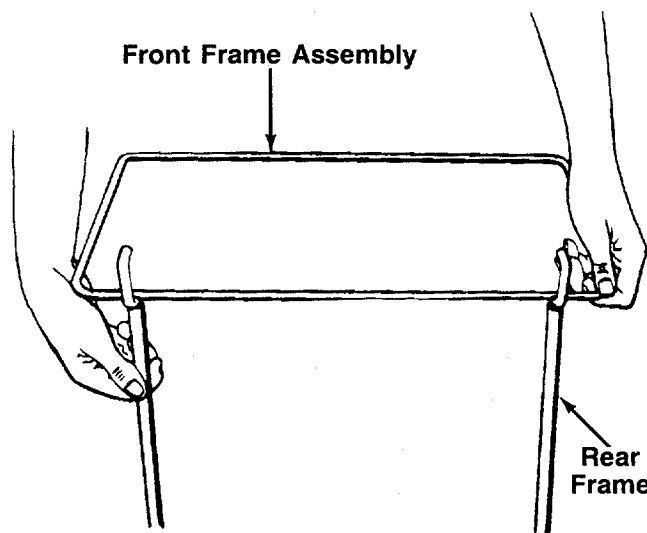


FIGURE 15.

IMPORTANT

If your unit is equipped with both a side chute deflector and rear discharge chute and grass bag, follow the instructions for rear discharge mowers. After assembly is completed, it can then easily be converted to a side discharge mower.

← SIDE DISCHARGE MOWERS ONLY (Model 826R) (Hardware G)

This section is for side discharge models only. If your mower is a rear discharge model (with grass bag), proceed to the next section.

1. Attach the side chute deflector by first placing it over the rear bolt in the side of the deck. Then slide the notch in the top of the deflector around the shoulder bolt on top of the deck. Slide the notch in the side of the deflector around the front bolt in the side of the deck. See figure 13.
2. Secure the front of the chute deflector to the bolt on the side of the deck with one wing nut. See figure 13. Secure the back of the chute deflector in the same manner. See figure 14.



WARNING

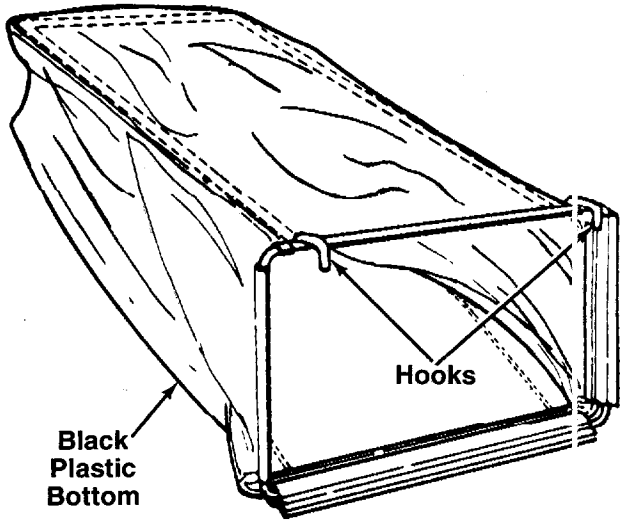
Never operate your unit without either the side chute deflector or entire rear discharge chute and catcher panel assembly (optional equipment) in place.

NOTE

A grass catcher kit is available which will convert your mower from side to top discharge. Order model number 190-081-000.

REAR DISCHARGE MOWERS ONLY (Models 836R thru 838R) Grass Catcher Assembly (Hardware C)

1. Join the rear frame and front frame assembly as shown in figure 15.

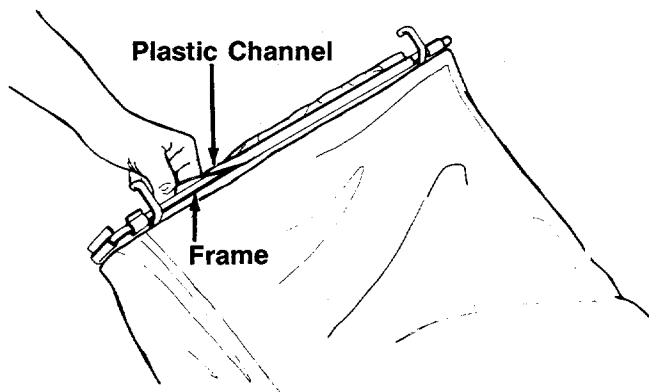


NOTE

Make certain the grass bag is turned right side out before assembling (warning label will be on the outside).

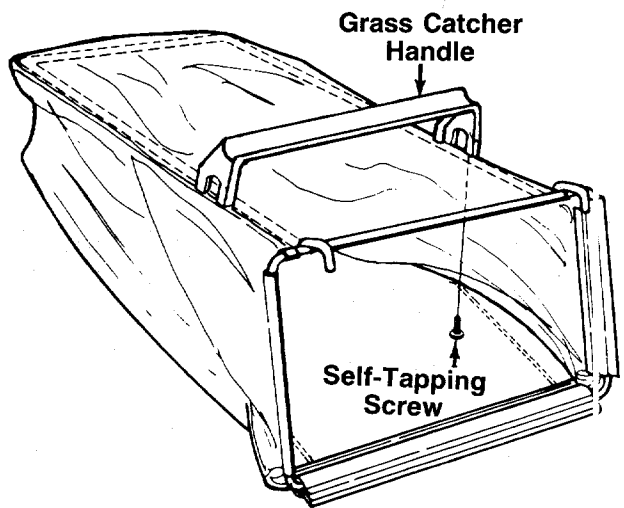
2. Place the frame inside the grass catcher bag. The bottom of the grass bag is black plastic. The hooks on the front frame go toward the top of the bag. See figure 16.

FIGURE 16.



3. Secure front of bag to frame by working the plastic channels on bag over frame. See figure 17.

FIGURE 17.



4. Place the grass catcher handle in position on top of the grass bag and frame as shown in figure 18. Secure with four self-tapping screws.

FIGURE 18.

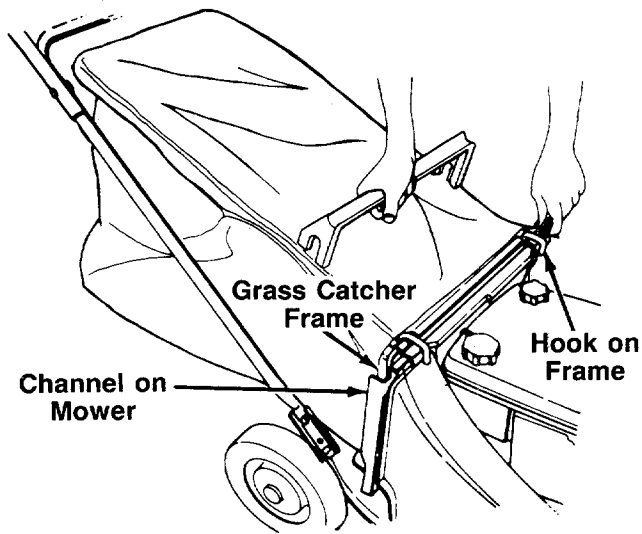


FIGURE 19.

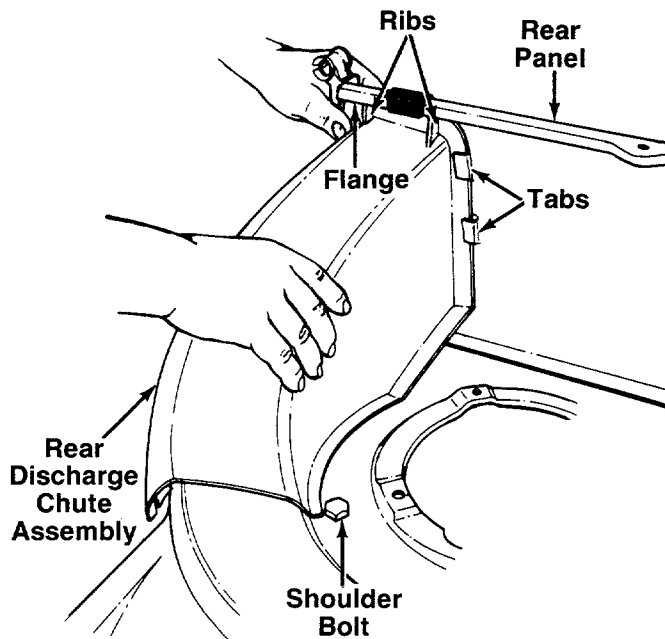


FIGURE 20.

To Attach Bag To Mower

1. Hold the chute door on the catcher panel open as shown in figure 19.
2. Slide the frame of the grass catcher down into the channels on each side of the mower. The hooks on the frame go over the panel on the discharge chute. See figure 19.

To remove the grass catcher, lift the grass catcher straight up.

To Convert Mower To Side Discharge

To convert your mower to a side discharge unit, proceed as follows.

1. Remove the rear discharge chute assembly by removing two wing nuts. Lift up on the two bottom corners of the discharge chute assembly, and slide it off the deck.
2. Attach the side chute deflector as instructed on page 11. Refer to figures 13 and 14.



WARNING

Never operate your unit without either the side chute deflector or entire rear discharge chute and grass catcher assembly in place.

To replace the rear discharge chute assembly, proceed as follows.

Slide the ribs on the discharge chute assembly under the flange on rear panel as you insert the side of the discharge chute under the two tabs. See figure 20.

The edge of the discharge chute assembly goes under the shoulder bolt on deck. Push down on the chute assembly, and slide the bottom corner slots over the bolts on side of deck.

Press down on the discharge chute assembly and secure with wing nuts. Make certain wing nuts are seated properly.

CONTROLS

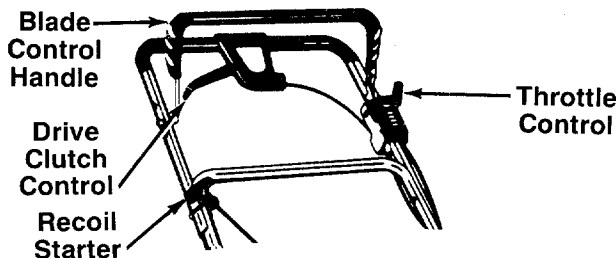


FIGURE 21.

BLADE CONTROL HANDLE

WARNING
THIS CONTROL MECHANISM IS A SAFETY DEVICE NEVER ATTEMPT TO BYPASS ITS OPERATIONS

The blade control handle is located on the upper handle of the mower. See figure 21. The blade control handle must be depressed in order to operate the unit. Release the blade control handle to stop the engine and blade.



WARNING

The blade will be rotating whenever the engine is running.

THROTTLE CONTROL

The throttle control is located on the left side of the upper handle. It is used to regulate the engine speed.



WARNING

The throttle control cannot be used to stop the engine.

RECOIL STARTER

The recoil starter handle is attached to the handle. See figure 21. Stand behind the unit in the operating position to start the unit.

DRIVE CLUTCH CONTROL

Squeezing the drive clutch control engages the drive mechanism to the rear wheels. Releasing the clutch control stops the rear wheels from driving. Release the drive clutch control to slow down when negotiating an obstacle, making a turn or stopping. See figure 21.

OPERATION



FIGURE 22.

Keep hands and feet away from the chute area or cutting deck. See figure 22.

NOTE

For shipping purposes your mower is set with the wheels in a low cutting height position. For best results raise the cutting position until it is determined which height is best for your lawn. See cutting height adjustment section.

GAS AND OIL FILL-UP

Service the engine with gasoline and oil as instructed in the separate engine manual packed with your mower. **Read instructions carefully.**



WARNING

Never fill fuel tank indoors, with engine running or until the engine has been allowed to cool for at least two minutes after running.

BEFORE STARTING

1. Before each use, check for proper drive clutch operation by performing the following before starting the engine:

With the drive clutch control released, push mower forward. It should move freely. **Pull mower backward. It should move freely.**

If it does not and the rear wheels tend to lock up, the clutch may not be releasing completely. Do not start the engine until corrections have been made. Check the control cable for severe bend, kinks and binding, or grass build-up in the pulley groove. Correct and adjust as required. Refer to adjustment section for additional information.

2. Attach spark plug wire to spark plug. Make certain the metal loop on the end of the spark plug wire (inside the rubber boot) is fastened securely over the metal tip on the spark plug. See figure 23.

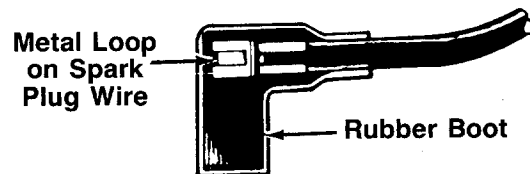


FIGURE 23.

3. **Models 826R and 836R:** The fuel shut-off valve is located beneath the fuel tank. The fuel shut-off valve should be in the open position. See figure 24. Open fuel shut-off valve if it is closed.

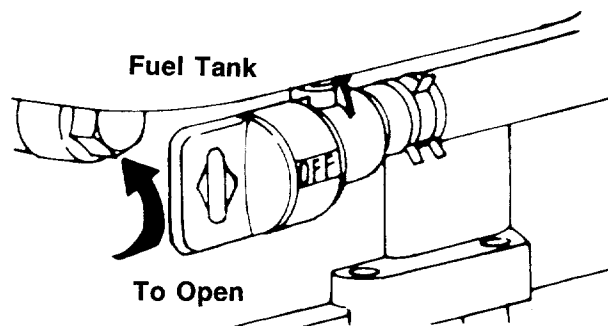


FIGURE 24.—Models 826R and 836R

TO START ENGINE AND ENGAGE BLADE



WARNING

When starting the unit for the first time, face the mower against a solid object such as a wall, fence, etc. Start the unit, and if it shows any signs of motion with the drive clutch control disengaged, shut the engine off immediately. Make certain the drive clutch control is adjusted so the drive belt is as loose as possible. Refer to the Adjustment Section.

1. **Models 826R and 836R:** Move the throttle control lever to CHOKE position. (A warm engine may not require choking.)

Models 837R and 838R: Move the throttle control lever to FAST or START position.

2. **Models 837R and 838R:** Prime engine as instructed in the separate engine manual packed with your unit.
3. Standing behind the unit, depress the blade control handle and hold it against the upper handle.
4. Grasp the recoil starter handle and pull back rapidly, extending rope fully. Return it slowly to the rope guide bolt.
5. After engine starts, move throttle control to FAST or desired engine speed. (On Models 826R and 836R, move the throttle control lever at least halfway back, then forward to obtain FAST position.)

➔ NOTE

If any problems are encountered, refer to the Trouble Shooting Guide on page 24.



WARNING

Never operate your unit without either the side chute deflector or entire rear discharge chute and grass catcher assembly in place.

TO STOP ENGINE AND BLADE

1. Release the blade control handle to stop the engine and blade.



WARNING

The blade continues to rotate for a few seconds after the engine is shut off.

2. Disconnect the spark plug wire and ground it against the engine to prevent accidental starting while equipment is unattended.

USING YOUR ROTARY MOWER

Be sure that lawn is clear of stones, sticks, wire, or other objects which could damage lawn mower or engine. Such objects could be accidentally thrown by the mower in any direction and cause serious personal injury to the operator and others.

For the best results, do not cut wet grass because it tends to stick to the underside of the mower, preventing proper discharge of grass clippings, and could cause you to slip and fall. New grass, thick grass or wet grass may require a narrower cut. Blade speed should be adjusted to the condition of the lawn.

When using the side discharge mower, the best mowing pattern is one that allows the clippings to discharge towards the uncut part of the lawn. This permits recutting of the clippings to further pulverize them. When cutting high weeds, discharge towards cut portion, then recut at right angles to first direction.

For best results, cut off one-third or less of the total length of the grass. Lawn should be cut in the fall as long as there is growth.

This mower is designed to be operated at full throttle to give you the best cut and do the most effective job of bagging the cut grass.

➔ IMPORTANT

If you strike a foreign object, stop the engine. Remove wire from spark plug, thoroughly inspect the mower for any damage, and repair the damage before restarting and operating the mower. Extensive vibration of the mower during operation is an indication of damage. The unit should be promptly inspected and repaired.

ADJUSTMENTS



WARNING

Do not at any time make any adjustment to lawn mower without first stopping engine and disconnecting spark plug wire.

DRIVE CLUTCH CONTROL ADJUSTMENT

Use the adjustment wheel located in the clutch control housing to tighten the drive belt if mower does not self-propel with the drive clutch control engaged, or if drive belt is slipping (unit hesitates while engine maintains the same speed). See figure 25.

In addition, the adjustment wheel may also be used to determine the position in which the drive clutch control is engaged. If it is more comfortable to have the drive engaged with the lever further away from the handle, tighten the drive belt.

Make certain to retest the unit for neutral as instructed in the Operation Section. Move the adjustment wheel in the opposite direction to loosen the drive belt if necessary.

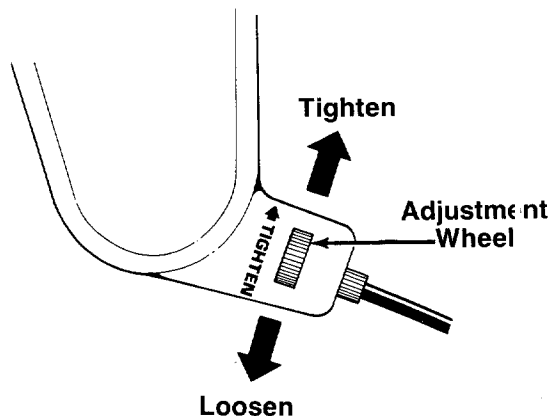


FIGURE 25.

CUTTING HEIGHT ADJUSTMENT

The height adjustment handle is located on the left side of the deck. The handle may be placed in one of nine cutting height positions. Push the handle to the left and then either forward to lower the cutting height or backward to raise the cutting height. See figure 26.

For rough or uneven lawns, move the height adjustment handle to a position which will give a higher cutting height.

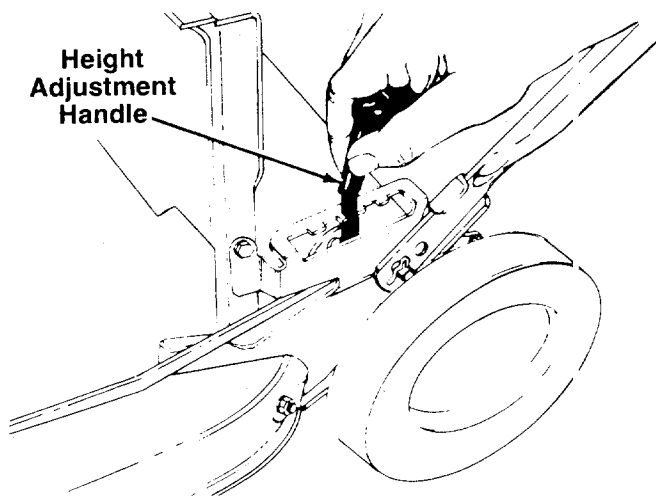


FIGURE 26.

THROTTLE

The throttle control wire assembly can be adjusted if necessary. Loosen the screw on the cable clamp shown in figure 6. Adjust as instructed in step 4 of "Attaching the Throttle Control Cable" in Assembly Instructions.

CARBURETOR ADJUSTMENTS



WARNING

If any adjustments are made to the engine while the engine is running (e.g. carburetor), keep clear of all moving parts. Be careful of heated surfaces and muffler.

Minor carburetor adjustment may be required to compensate for differences in fuel, temperature, altitude and load. Refer to the separate engine manual packed with your mower for carburetor adjustment information.



NOTE

A dirty air cleaner will cause an engine to run rough. Be certain air cleaner is clean and attached to the carburetor before adjusting carburetor.

LUBRICATION



WARNING

Always stop engine and disconnect spark plug wire before cleaning, lubricating or doing any kind of work on lawn mower.

Blade Control—Lubricate the pivot points on the blade control handle and the brake cable at least once a season with light oil. See figure 27. The blade control must operate freely in both directions.

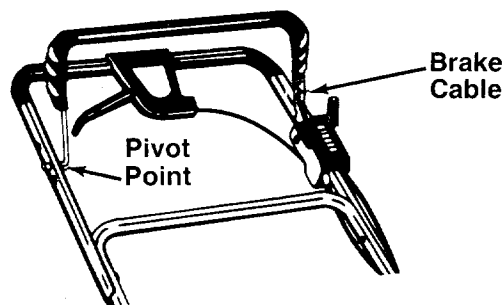


FIGURE 27.

Wheels—Mower is provided with ball bearing wheels. Lubricate at least once a season with light oil. Also, if the wheels are removed for any reason, lubricate the surface of the axle bolt and the inner surface of the wheel with light oil. A 4 oz. plastic bottle of light oil lubricant is available. Order part number 737-0170. Engine oil may also be used.

Engine—Follow engine manual for lubrication instructions.

Throttle—Periodically lubricate throttle control lever and throttle wire assembly with a few drops of light oil for ease of operation.

Transmission—The transmission is pre-lubricated and sealed at the factory. It does not require checking. If disassembled for any reason, fill with 2 ounces of Alvania grease, part number 737-0168.

MAINTENANCE



Be sure to disconnect and ground the spark plug wire before performing any repairs or maintenance.



When tipping the unit, empty the fuel tank and keep engine spark plug side up.

TROUBLE SHOOTING

Refer to page 24 of this manual for trouble shooting information.

CUTTING BLADE

When removing the cutting blade for sharpening or replacement, protect hands by using heavy gloves or a rag to grasp the cutting blade. Remove the bolt and blade bell washer which hold the blade and adapter to the engine crankshaft. Remove the blade and adapter from the crankshaft.



CAUTION

Periodically inspect the blade adapter for cracks, especially if you strike a foreign object. Replace when necessary.

When sharpening the blade, follow the original angle of grind as a guide. It is **extremely important** that each cutting edge receives an equal amount of grinding to prevent an unbalanced blade. An unbalanced blade will cause excessive vibration when rotating at high speeds, may cause damage to the mower and could break, causing personal injury.

The blade can be tested by balancing it on a round shaft screwdriver. Remove metal from the heavy side until it balances evenly.

Before reassembling the blade and the blade adapter to the unit, lubricate the engine crankshaft, the inner surface of the blade adapter and the center bolt with light oil. A 4 oz. plastic bottle of light oil lubricant is available. Order part number 737-0170. Engine oil may also be used.

When replacing the blade, be sure to install the blade with the side of the blade marked "Bottom" (or with part number) facing the ground when the mower is in the operating position.

Blade Mounting Torque

Center Bolt 375 in. lb. min., 450 in. lb. max.

To insure safe operation of your unit, **all** nuts and bolts must be checked periodically for correct tightness.

DECK

The underside of mower deck should be cleaned after each use to prevent a buildup of grass clippings, leaves, dirt or other matter. If this debris is allowed to accumulate, it will invite rust and corrosion, and may cause an uneven discharge of grass clippings at the next cutting.

The deck may be cleaned by tilting the mower and scraping clean with a suitable tool (make certain the spark plug wire is disconnected).

ENGINE

Refer to the separate engine manual for all engine maintenance instructions.

Maintain **engine oil** as instructed in the separate engine manual packed with your unit. Read and follow instructions carefully.

Service **air cleaner** every 25 hours under normal conditions. Clean every few hours under extremely dusty conditions. Poor engine performance and flooding usually indicates that the air cleaner should be serviced. To service the air cleaner, refer to the separate engine manual packed with your unit.

The **spark plug** should be cleaned and the gap reset once a season. Spark plug replacement is recommended at the start of each mowing season; check engine manual for correct plug type and gap specifications.

Clean the engine regularly with a cloth or brush. Keep the cooling system (blower housing area) clean to permit proper air circulation which is essential to engine performance and life. Be certain to remove all grass, dirt and combustible debris from muffler area.

BELT REMOVAL AND REPLACEMENT

1. Disconnect the spark plug wire and ground it against the engine.
2. Drain the fuel tank or place a piece of plastic beneath the cap to prevent gasoline leakage.
3. **Models 836R thru 838R:** Remove the grass bag, rear discharge chute assembly and catcher panel.
4. Remove the transmission belt cover by removing three bolts. See figure 28.
5. Tip the mower on its side, and block securely.

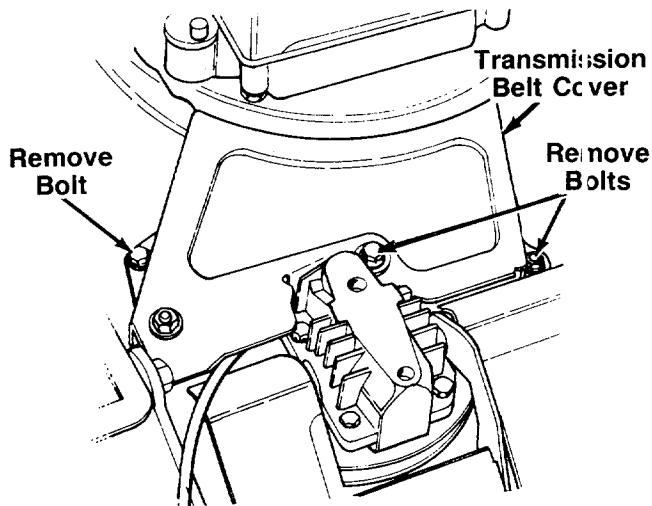


FIGURE 28.

6. Remove the center bolt which secures the blade to the crankshaft. See figure 29. Remove the blade, blade adapter and pulley half. Remove the belt.
7. Remove the inside belt guard by removing two self-tapping screws. A 3/8" wrench is required. See figure 29.

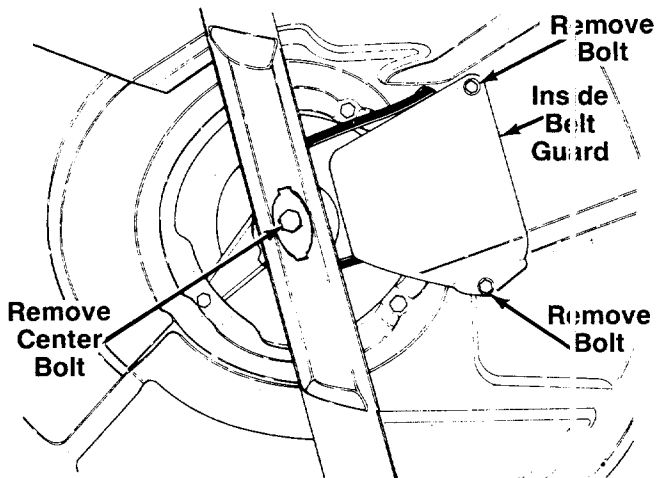


FIGURE 29.

8. Remove the belt from between the idler pulley and the belt guard on the idler pulley bracket. Refer to figure 31.
9. Remove the belt from the transmission pulley.
10. Assemble the new belt as follows.
 - A. Push the idler pulley up out of the way as shown in figure 30.
 - B. Slide the belt in from the rear of the deck, and place it around the transmission pulley. See figure 30.
 - C. Release the idler pulley so it falls down into position. Slide the belt in between the idler pulley and the belt guard on the idler pulley bracket as shown in figure 31.

- D. Grease the crankshaft. Place belt between the two pulley halves, and reassemble the blade adapter and blade. Reassemble the inside belt guard.
- E. Reassemble the transmission belt cover, following instructions in step 4 in reverse order.

NOTE

When reassembling the transmission belt cover, be certain the belt guard on the transmission cover is approximately 1/8" away from the belt. Make certain to tighten all nuts and bolts securely. If plastic was placed under the gas cap, be certain to remove it.

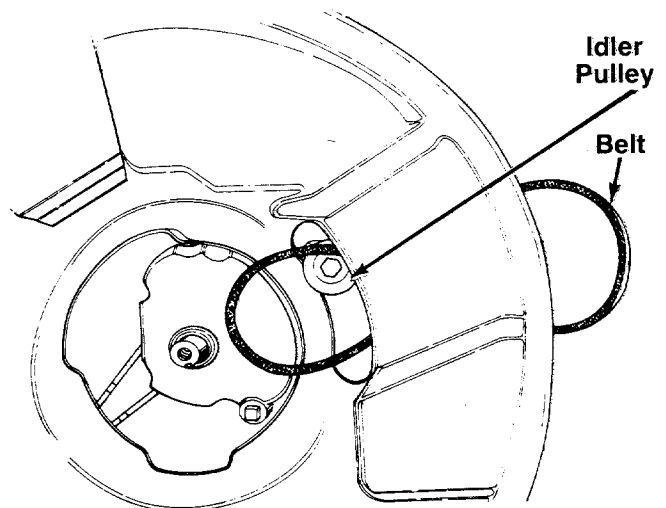


FIGURE 30.

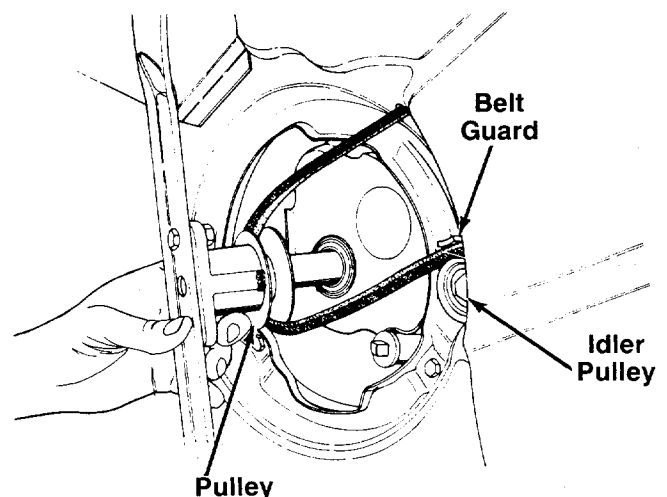


FIGURE 31.

OFF-SEASON STORAGE

The following steps should be taken to prepare lawn mower for storage.

1. Clean and lubricate mower thoroughly as described in the lubrication instructions.
2. Refer to engine manual for correct engine storage instructions.
3. Coat mower's cutting blade with chassis grease to prevent rusting.
4. Store mower in a dry, clean area.

NOTE

When storing any type of power equipment in an unventilated or metal storage shed, care should be taken to rustproof the equipment. Using a light oil or silicone, coat the equipment, especially cables and all moving parts.

NOTE

The use of any accessory on this Rotary Mower other than those manufactured by the mower manufacturer is **not** recommended.

GRASS CATCHER KIT Model 081 is available for the mowers shown in this manual.



WARNING

To reduce the risk of injury, do not operate mower unless rear trailing shield and guard or entire grass catcher is in its proper place.

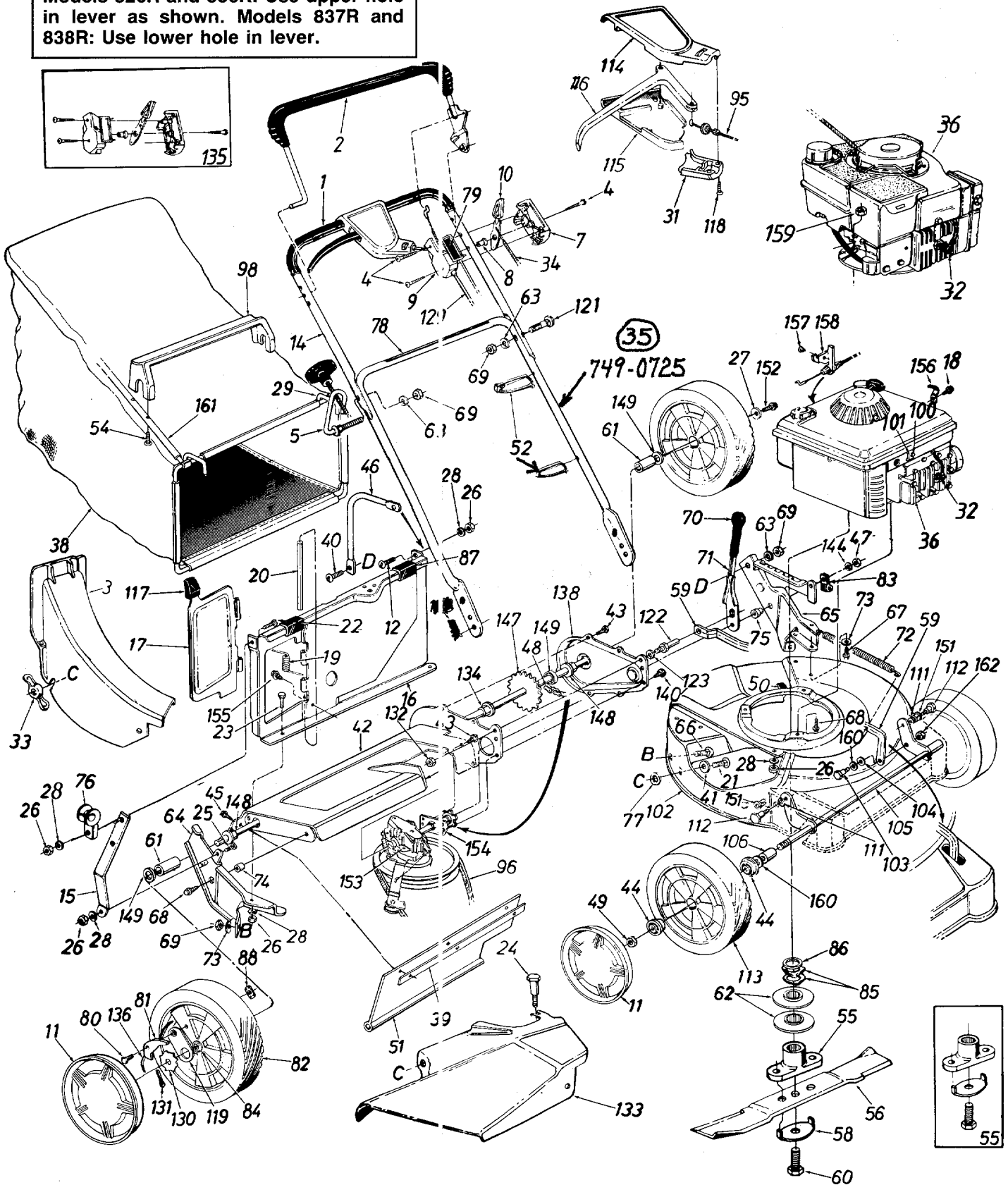
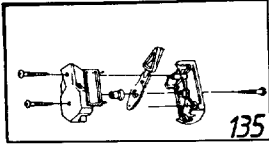
NOTE

Under normal usage bag material is subject to wear and should be checked periodically. Be sure any replacement bag complies with the mower manufacturer's recommendations.

For replacement bags, use only factory authorized replacement bag No. 764-0255 (Grey) or 764-0257 (Black).

Models 826R, 836R, 837R and 838R

ATTACHING THROTTLE WIRE TO LEVER
 Models 826R and 836R: Use upper hole in lever as shown. Models 837R and 838R: Use lower hole in lever.



Models 826R, 836R, 837R and 838R

PARTS LIST FOR MODELS 826R, 836R, 837R AND 838R ROTARY MOWERS

REF. NO.	PART NO.	CODE	DESCRIPTION	REF. NO.	PART NO.	CODE	DESCRIPTION
1	720-0225		Foam Grip (2 Req'd.)	48	713-0353		#48 Chain .500" Pitch x 30 Links
2	731-0609		Control Handle Ass'y.—L.H.	49	712-0346		Hex L-Nut 1/2-20 Thd.
3	731-1023	N	Rear Discharge Chute Ass'y.†	50	731-0564		Plug
4	710-0796		Truss Mach. Scr. #12 x 1.50" Lg.	51	731-0672A	N	Rear Flap 3.75" x 17.30" Lg.
5	710-0842B	N	Rope Guide Bolt	52	726-0240		Cable Tie
6	710-0875		Hex Wash. TT-Tap Scr. 1/4-20 x .75" Lg.	54	710-0969	025	Hex AB-Tap Scr. 1.0" Lg.†
7	731-0817		Control Panel Half	55	753-0463		Blade Adapter Kit
8	731-0524		Control Disc Pin	56	742-0306		21" Blade
9	731-0816		Clutch Panel Half	58	736-0415		Blade Bell-Wash. .44" I.D. x 2.38"
10	731-0972	N	Throttle Control Lever	59	16863	N	Height Adj. Connecting Arm
11	731-0981A	RADIAL	Hub Cap 975A 5 SPOKE	60	710-0757		Hex Bolt 7/16-20 x 1.5" Lg. (Grade 5)
12	710-0946		Truss Mach. Scr. 1/4-20 x .62" Lg.†	61	748-0190		Spacer .513" I.D. x .703" O.D. x .69" Lg.
13	714-0507		Cotter Pin 3/32" Dia. x .75" *	62	756-0502		Serrated Pulley Half
14	749-0439A	N	Upper Handle—Painted	63	736-0119		L-Wash. 5/16" I.D.*
15	16129A	N	Panel Support Brkt.†	64	16136A	N	R.H. Handle Wheel Brkt. Ass'y.
16	16859-16862	N	Rear Catcher Panel Ass'y.†	65	16137B	N	L.H. Handle Wheel Brkt. Ass'y.
17	17095		Rear Discharge Door†	66	710-0260		Carriage Bolt 5/16-18 x .62" *
18	710-0429		Hex B-Tap Scr. #10 x .38" (826R, 836R)	67	710-0603		Hex Wash. Hd. B-Tap Scr. 5/16-18
19	732-0483A	N	Torsion Spring†	68	710-0654A	N	Hex Wash. Hd. TT-Tap Scr. 3/8-16
20	747-0514		Pivot Pin†	69	712-0267		Hex Nut 5/16-18 Thd.*
21	710-0134		Carriage Bolt 1/4-20 x .62" *	70	720-0223		Grip
22	710-0255		Truss Mach. Scr. 1/4-20 x 3/4" Lg.†	71	732-0606	N	Height Adj. Lever
23	710-0289		Hex Bolt 1/4-20 x .50" Lg.*†	72	732-0362	N	Extension Spring .75" O.D. x 8" Lg.
24	738-0704		Shoulder Bolt .312 Dia. x .18 Lg.—Special	73	736-0242		Bell-Wash. 5/16" I.D.
25	710-0258		Hex Bolt 1/4-20 x .62" Lg.*†	74	750-0736		Spacer
26	712-0287		Hex Nut 1/4-20 Thd.*	75	750-0624		Shld. Spacer .500" Dia.
27	736-0270		Bell-Wash. 1/4" I.D.	76	719-0279		Rope Guide†
28	736-0329		L-Wash. 1/4" I.D.*	77	726-0233		Bolt Retainer 1/4 x .50" O.D.
29	747-0705	N	Front Grass Catcher Frame†	78	777-5816		Instruction Label
31	731-1059	N	S.P. Control Cover	79	777-5812		Control Label
32	735-0639		Spark Plug Insulator	80	738-0137		Shld. Scr. .342" Dia. x .268
33	712-0388		Wing Nut w/Washer	81	748-0188B	N	Pawl
34	746-0672		Throttle Control Wire 58" YELLOW (826R, 836R) (837)	82	734-1510A		Wheel Ass'y. Comp.
	746-0671		Throttle Control Wire 55" (837R)	83	726-0175		Clamp
	746-0673		Throttle Control Wire 47" (838R)	84	741-0486A	N	Bearing 1/2" I.D.
35	749-0725	N	Lower Handle—Painted	85	736-0408		Wave Washer 1.005" I.D.
36	—		Engine	86	736-0409		Serrated Washer 1.0" I.D.
38	764-0257	N	21" Rear Discharge Grass Bag—Black†	87	731-0880		Panel Clip†
	764-0255	N	21" Rear Discharge Grass Bag—Grey† SENTAR	88	712-0189		Flat Weld Nut 1/4-20 Thd.
39	14835		Retaining Strip	95	746-0650	710	S.P. Cable x 3/8" Lg. 48" BLK.
40	710-0323		Truss Mach. Scr. 5/16-18 x .75" Lg.†	96	754-0343		"V"-Belt 31"
41	736-0204		Fl-Wash. .344" I.D. x .62"	98	731-0801		Bag Handle (Black)†
42	17055B	629/N	Chain—Axle Ass'y.	100	731-0802		Bag Handle (Grey)†
43	710-0352		Hex B-Tap Scr. 1/4" x .38" Lg.	101	710-0436		Hex B-Tap Scr. #10 x .62" (826R, 836R)
44	741-0180		Flange Ball Bearing 1/2" I.D.	102	16859	629/N	Cable Clamp (826R, 836R)
45	710-0776A	N	Hex AB-Tap Scr. 1/4 x .62"	103	738-0234		21" Deck Ass'y.
46	749-0778		Catcher Panel Support Arm†	104	736-0253		Shld. Bolt .5" Dia. x .295
47	712-0296		Hex Patch L-Nut 3/8-24 Thd.	105	16856	N	Bell-Wash. .515" I.D. x 1.0" O.D.
							Front Axle Ass'y.

Models 826R, 836R, 837R and 838R

PARTS LIST FOR MODELS 826R, 836R, 837R AND 838R ROTARY MOWERS (CONTINUED)

REF. NO.	PART NO.	CODE	DESCRIPTION	REF. NO.	PART NO.	CODE	DESCRIPTION
106	711-0313		Sleeve .526" I.D. x .690" O.D. x .880" Lg.	135	753-0430		Kit—Control Housing Comp.
108	714-0104		Intern. Cotter Pin 5/16" Dia.	136	10622B	N	Spring—Nylon
111	736-0221		Intern. L-Wash. 3/8 I.D.*	138	17053A	N	Chain Cover
112	738-0705		Shld. Bolt .575" Dia. x .42	140	710-0599		Hex Wash. S-Tap Scr. 1/4-20 x .50" Lg.
113	734-1513A		Wheel Ass'y. Comp.	144	736-0300		FI-Wash. .385" I.D. x .87"
114	731-1057	N	Self-Propelled Control Cover	147	738-0719A	N	Rear Shaft Ass'y. 21.94" Lg.
115	731-0618A	N	Self-Propelled Control Cover	148	741-0324		Hex Flange Bearing .506" I.D. Plastic
116	731-0620		Control Lever	149	736-0160		FI-Wash. .531" I.D. x .930"
117	720-0190		Door Gript	151	741-0491		Flanged Nyliner Brg.
118	710-0841		FI-"C"-Sunk Hd. Tap Sc. #10 x .75" Lg.	152	710-0751		Hex Bolt 1/4-20 x .62" Lg. (Grade 5)
119	16855		Pawl Plate	153	717-0417A	N	Transmission Comp. (See Breakdown)
121	710-0671		Curved Carr. Bolt 5/16-13 x 1.38" Lg.	154	16500		Hex Bearing Cup
122	711-0805		Shld. Pin 3/8-24 x 1.43" Lg.	155	710-0429		Hex B-Tap Scr. #10 x .38†
123	736-0169		L-Wash. 3/8" I.D.*	156	12894A		Cable Clamp (826R, 836R)
129	746-0479A	N	Control Cable—55" Lg. (837R, 838R)	157	728-0171		Pop Rivet .156" Dia. (826R, 836R)
	746-0480A	N	Control Cable 46" Lg. RED (826R, 836R)	158	14924		Cable Bracket (826R, 836R)
130	748-0318		Ratchet Wheel 1.62" O.D.	159	712-0798		Hex Nut 3/8-16 Thd. (837R)
131	714-0115		Cotter Pin 1/8" Dia. x 1.00" Lg.*	160	736-0108		FI-Wash. .51" I.D. x .75" O.D.
133	731-0884		Side Chute Deflector Ass'y.	161	749-0764A	N	Rear Catcher Framet
134	741-0522		Hex Flange Bearing				

†Rear Discharge Models 836R, 837R and 838R Only.

*For faster service obtain standard nuts, bolts and washers locally. If these items cannot be obtained locally, order by part number and size as shown on parts list.

CODE: N notates a **new part** (not previously existing). A three digit number is the **color code** (use if color or finish is important when ordering parts). See chart below. [i.e., (part no.)-629 for Silver Flake Finish].

Color Codes

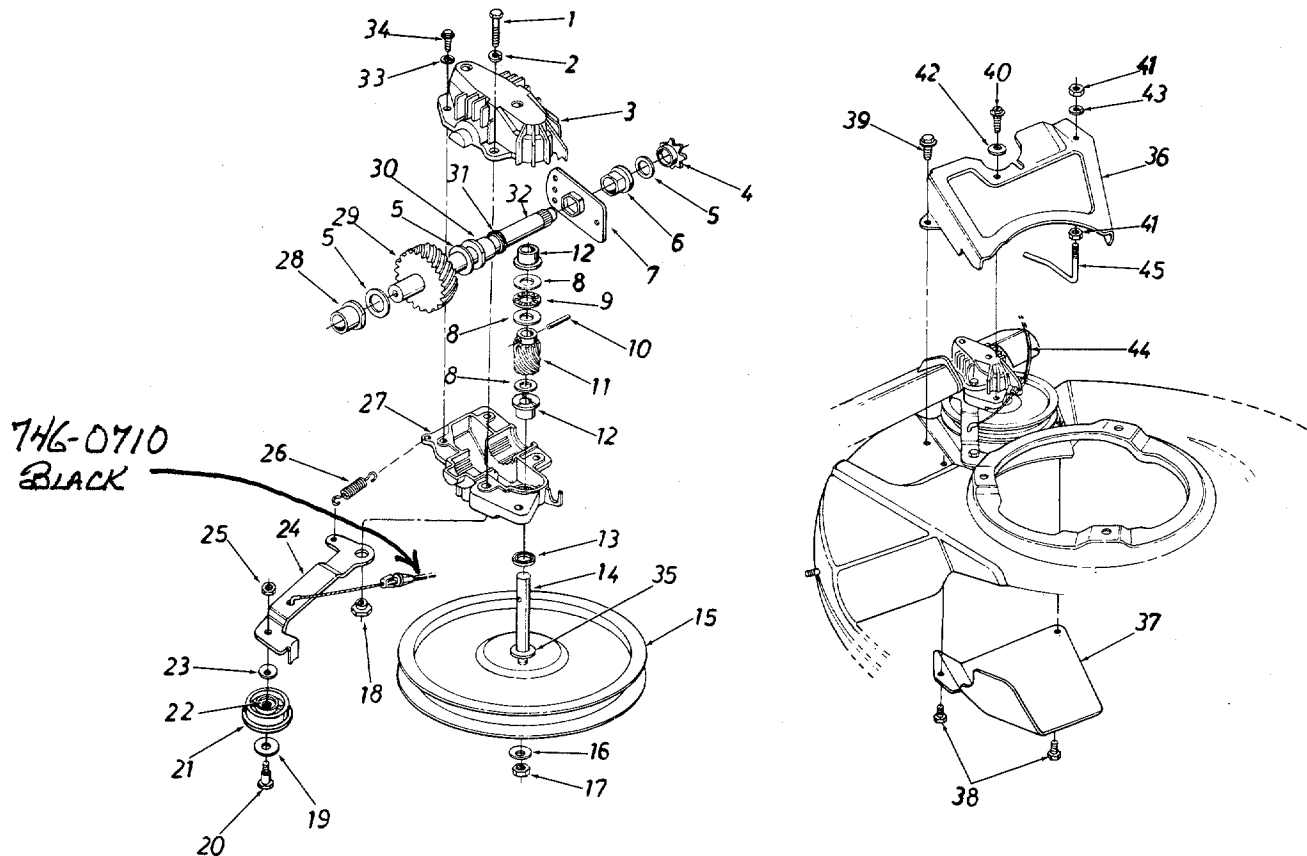
460—Green Flake	630—Blue
483—Charcoal Grey	635—Grey
498—Yellow	636—White
499—Beige	637—Black
606—Orange	638—Red
629—Silver Flake	640—Green

NOTE: The engine is not under warranty by the mower manufacturer... If repairs or service is needed on the engine, please contact your nearest authorized engine service outlet. Check the "Yellow Pages" of your telephone book under "Engines—Gasoline."



Specifications subject to change without notice or obligation.

Models 826R, 836R, 837R and 838R



**PARTS LIST FOR MODELS 826R, 836R, 837R AND 838R
ROTARY MOWERS**

REF. NO.	PART NO.	CODE	DESCRIPTION	REF. NO.	PART NO.	CODE	DESCRIPTION
1	710-0106		Hex Bolt 1/4-20 x 1.25" Lg.*	22	741-0482		Needle Brg. .375" x .31"†
2	736-0329		L-Wash. 1/4" I.D.*	23	736-0270		Bell-Wash. .265" I.D. x .75"†
3	717-0418A	N	Upper Hsg. Half	24	17052A	N	Idler Brk't. Ass'y.†
4	713-0400		#48 Sprocket 7 Tooth x 1/2 Pitch	25	712-0138		Hex Patch L-Nut 1/4-28 Thd.†
5	736-0336		FI-Wash. 5/8" I.D. x .030	26	732-0357		Extension Spring 1.12" Lg.†
6	741-0413		Hex Flange Brg. .631" I.D.	27	717-0419A	N	Lower Hsg. Half
7	16500		Hex Bearing Cup	28	741-0415		Flange Bearing .566 Dia.
8	736-0314		Thrust Wash. .382" I.D. x .70" O.D.	29	717-0422		33 Tooth Helical Gear
9	741-0479		Thrust Bearing .375" I.D. x .812" O.D.	30	741-0414		Flange Bearing .629 Dia.
10	715-0152		Spring Pin Spir. 1/8" x .62" Heavy	31	721-0213		Oil Seal .625 Dia.
11	717-0420		11 Tooth Helical Gear	32	738-0607		Gear Sprocket Shaft
12	748-0208A	N	Flange Bearing	33	736-0722		L-Wash. #10 I.D.
13	721-0212		Oil Seal	34	710-0436		Hex B-Tap Scr. #10 x .62"
14	738-0708A	N	Pulley—Transmission Shaft	35	736-0410		Hex Washer .26" x .88"†
15	756-0330A	N	FI-Pulley 5.06" I.D.†	36	17058		Transmission Belt Guard†
16	736-0270		Bell-Wash. .265" I.D. x .75"†	37	17064		Belt Cover
17	712-0351		Hex Nut 1/4-28 L.H. Thd.†	38	710-0352		Hex B-Tap Scr. 1/4 x .38" Lg.†
18	738-0440		Shld. Spacer .375" Dia. x .170"†	39	710-0599		Hex AB-Tap Scr. 1/4 x .50" Lg.†
19	736-0344		FI-Wash. .390" I.D. x 1.0"†	40	710-0896		Hex B-Tap Scr. 1/4 x .62" Lg.
20	738-0691		Shld. Bolt .375" Dia. x .40"†	41	712-0287		Hex Nut 1/4-20 Thd.*†
21	756-0447		FI-Idler Plastic 1.50" Dia.†	42	736-0270		Bell-Wash. .265" I.D. x .75"†
				43	736-0329		L-Wash. 1/4" I.D.*†
				44	746-0650	0710	S.P. Cable—50" Lg.† 48" BLACK
				45	747-0549		S.P. Belt Guard†
				—	717-0417A	N	Transmission Comp.

†Not Part of Transmission Complete

Trouble Shooting Guide

Trouble	Possible Cause(s)	Corrective Action
Engine fails to start	<ol style="list-style-type: none"> 1. Blade control handle disengaged. 2. Spark plug wire disconnected. 3. Throttle control lever not in CHOKE or START position. 4. Fuel shut-off valve closed (if so equipped). 5. Fuel tank empty, or stale fuel (or fuel mixture). 6. Blocked fuel line. 7. Faulty spark plug. 8. Engine flooded. 	<ol style="list-style-type: none"> 1. Engage blade control handle. 2. Connect wire to spark plug. 3. Move throttle lever to CHOKE or START position. 4. Open fuel shut-off valve. 5. Fill tank with clean, fresh gasoline (or correct fuel mixture). 6. Clean fuel line. 7. Clean, adjust gap or replace. 8. Remove spark plug, dry the plug, and crank engine with plug removed and throttle in off position. Replace spark plug, connect wire and resume starting procedures.
Engine runs erratic	<ol style="list-style-type: none"> 1. Unit running in CHOKE or START position. 2. Spark plug wire loose. 3. Blocked fuel line or stale fuel. 4. Vent in gas cap plugged. 5. Water or dirt in fuel system. 6. Dirty air cleaner. 7. Carburetor out of adjustment. 	<ol style="list-style-type: none"> 1. Move throttle lever to FAST position. 2. Connect and tighten spark plug wire. 3. Clean fuel line; fill tank with clean, fresh gasoline. 4. Clear vent. 5. Drain fuel tank. Refill with fresh fuel. 6. Clean air cleaner. † 7. Adjust carburetor. †
Engine overheats	<ol style="list-style-type: none"> 1. Engine oil level low (or incorrect fuel mixture). 2. Air flow restricted. 3. Carburetor not adjusted properly. 	<ol style="list-style-type: none"> 1. Fill crankcase with proper oil (or fuel mixture). 2. Remove blower housing and clean. † 3. Adjust carburetor. †
Occasional skip (hesitates) at high speed	<ol style="list-style-type: none"> 1. Carburetor idle speed too slow. 2. Spark plug gap too close. 3. Carburetor idle mixture adjustment improperly set. 	<ol style="list-style-type: none"> 1. Adjust carburetor. † 2. Adjust gap to .030". 3. Adjust carburetor. †
Idles poorly	<ol style="list-style-type: none"> 1. Spark plug fouled, faulty or gap too wide. 2. Carburetor improperly adjusted. 3. Dirty air cleaner. 	<ol style="list-style-type: none"> 1. Reset gap to .030" or replace spark plug. 2. Adjust carburetor. † 3. Clean air cleaner. †
Excessive vibration	<ol style="list-style-type: none"> 1. Cutting blade loose or unbalanced. 2. Bent cutting blade. 	<ol style="list-style-type: none"> 1. Tighten blade and adapter. Balance blade. 2. Replace blade.
Mower will not discharge grass	<ol style="list-style-type: none"> 1. Engine speed too low. 2. Wet grass. 3. Excessively high grass. 	<ol style="list-style-type: none"> 1. Set throttle between 3/4 and full throttle. 2. Do not mow when grass is wet; wait until later to cut. 3. Mow once at a high cutting height, then mow again at desired height or make a narrower cutting swath (1/2 width).
Uneven cut	Dull blade.	Sharpen or replace blade.

†Refer to separate engine manual packed with your unit.

Note: For repairs beyond the minor adjustments listed above, contact your local authorized service dealer.



PARTS INFORMATION

POWER EQUIPMENT PARTS AND SERVICE

Parts and service are available through the authorized service firms listed below. All orders should specify the model number of your unit part numbers, description of parts and the quantity of each part required.

NOTE: If any parts are found to be missing or defective upon assembly of this unit, write to advise the factory so that immediate replacement can be made.

ALABAMA	BIRMINGHAM	NEW YORK	CARTHAGE
Auto Electric & Carburetor Co.	2625 4th Ave. S. Box 2466	Gamble Dist., Inc.	West End Ave. Box 389
	5233		13619
ARKANSAS	NORTH LITTLE ROCK	NORTH CAROLINA	GREENSBORO
Sutton's Lawn Mower Shop	5301 Roundtop Drive Box 368, Rt. 4	Dixie Sales Company	335 N. Green Box 1408
	72117		27402
CALIFORNIA	PORTERVILLE	OHIO	CARROLL
Billious	75 North D Street	Stebe's Mid-State Mower Supply	Box 366, 71 High St.
	3257		43112
COLORADO	DENVER	Bleckrie, Inc.	CLEVELAND
Spitzer Industrial Products Co.	6601 N. Washington St.		7900 Lorain Ave.
	80229		44102
FLORIDA	JACKSONVILLE	National Central	WADSWORTH
Radco Distributors	4909 Victor St. Box 5459		687 Seville Rd.
	42207		44281
	HIALEAH	Burton Supply Co.	YOUNGSTOWN
Small Eng. Dist.	7995 W. 26th Court		1301 Logan Ave. Box 929
	3016		44501
GEORGIA	EAST POINT	PENNSYLVANIA	HARRISBURG
East Point Cycle & Key Inc.	2834 Church St.	EECO Inc.	4021 N. 6th St.
	30344		17110
ILLINOIS	LYONS	Thompson Rubber Co.	WILLOW GROVE
Keen Edge Co.	8615 Ogden Ave.		850 Davisville Rd.
	80534		19090
INDIANA	ELKHART	Bluemont Co.	PITTSBURGH
Parts & Sales Inc.	2101 Industrial Pkwy. Box 277		11101 Frankstown Rd.
	46516		15235
IOWA	DUBUQUE	Frank Roberts & Sons	PUNXSUTAWNEY
Power Lawn & Garden Equip.	2551 J.F. Kennedy		R.D. 2
	52001		15767
LOUISIANA	LAFAYETTE	Scranton Auto Ignition Co.	SCRANTON
Jourdan Engine Co.	214 W. Vermillion St. Box 3503		1133-35 Wyoming Ave.
	70501		18509
MARYLAND	TAKOMA PARK	TENNESSEE	KNOXVILLE
Center Supply Co.	6867 New Hampshire Ave.	Ace Distributors	2103 Magnolia
	20912		37917
MASSACHUSETTS	SPRINGFIELD	American Sales & Service, Inc.	MEMPHIS
Morton B. Collins Co.	300 Birnie Ave.		3035-43 Bellbrook
	01107		38116
MICHIGAN	MOUNT CLEMENS	TEXAS	DALLAS
Power Equipment Dist.	340 Hubbard	Marr Brothers, Inc.	423 E. Jefferson
	48043		75203
MINNESOTA	PLYMOUTH	Engine House Inc.	SAN ANTONIO
Hance Distributing Inc.	12795 16th Ave. North		4918 Golden Quail
	55441		78249
MISSOURI	EARTH CITY	UTAH	SALT LAKE CITY
Oscar Wilson Engine & Parts	4159 Shoreline Dr.	Powered Products	1661 N. Beck St.
	63045		84116
	KANSAS CITY	VIRGINIA	ASHLAND
Automotive Equip. Service	3117 Holmes St.	RBI Corp.	101 Cedar Ridge Dr.
	64109		23005
NEW JERSEY	ALLOWAY	WASHINGTON	SEATTLE
Piersons	Canal St., Box 494	Equip. Northwest	1410 14th Ave.
	08001		98122
		WISCONSIN	MILWAUKEE
		Wisconsin Magneto Inc.	4727 N. Teutonia St.
			53209
		PUERTO RICO	AQUADILLA
		CIE & Associates, Inc.	Box 427 Ramey Station
			00604

WARRANTY PARTS AND SERVICE POLICY

(0588)

The purpose of warranty is to protect the customer from defects in workmanship and materials, defects which are NOT detected at the time of manufacture. It does not provide for the unlimited and unrestricted replacement of parts. Use and maintenance are the responsibility of the customer. The manufacturer cannot assume responsibility for conditions over which it has no control. Simply put, if it's the manufacturer's fault, it's the manufacturer's responsibility; if it's the customer's fault, it's the customer's responsibility.

CLAIMS AGAINST THE MANUFACTURER'S WARRANTY INCLUDES:

1. Replacement of Missing Parts on new equipment.
2. Replacement of Defective Parts within the warranty period.
3. Repair of Defects within the warranty period.

All claims MUST be substantiated with the following information:

1. Model Number, Serial Number and/or Data Code of unit involved.
2. Date unit was purchased or first put into service.
3. Date of Failure.
4. Nature of Failure.