

OWNER'S GUIDE

FIFTY CENTS

**MODEL
NOS.**

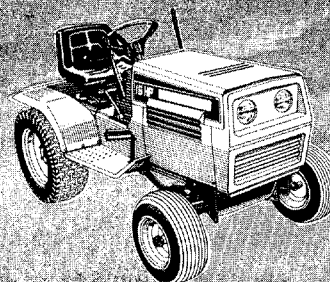
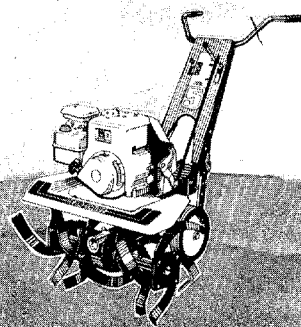
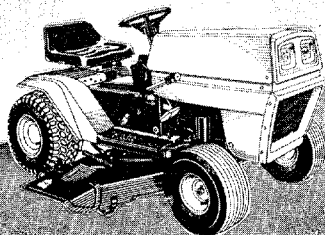
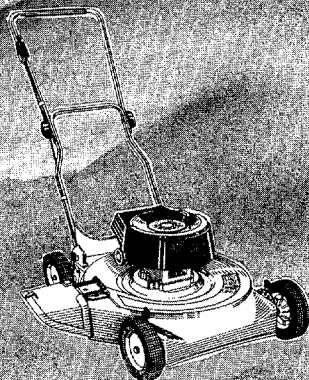
129-250A

129-250-300

**ASSEMBLY
OPERATION
PARTS
MAINTENANCE**

**20"
SELF PROPELLED
ROTARY
MOWERS**

**IMPORTANT:
READ SAFETY RULES
& INSTRUCTIONS**



LIMITED WARRANTY

For one year from the date of original retail purchase, MTD PRODUCTS INC will either repair or replace, at its option, free of charge, F.O.B. factory or authorized service firm, any part or parts found to be defective in material or workmanship. Transportation charges under this warranty must be paid by the purchaser unless return is requested by MTD PRODUCTS INC.

This warranty will not apply to any part which has become inoperative due to misuse, excessive use, accident, neglect, improper maintenance, alterations, or unless the unit has been operated and maintained in accordance with the instructions furnished. This warranty does not apply to the engine, motor, battery, battery charger or component parts thereof. Please refer to the applicable manufacturer's warranty on these items.

This warranty will not apply where the unit has been used commercially.

Warranty service is available through your local authorized service dealer or distributor. If you do not know the dealer or distributor in your area, please write to the Customer Service Department of MTD.

The return of a complete unit will not be accepted by the factory unless prior written permission has been extended by MTD.

This warranty gives you specific legal rights. You may also have other rights which vary from state to state.

WARNING TO PURCHASERS OF INTERNAL COMBUSTION ENGINE EQUIPPED MACHINERY OR DEVICES IN THE STATE OF CALIFORNIA

The equipment which you have just purchased does not have a spark arrester. If this equipment is used on any forest covered land, brush covered land, or grass covered unimproved land in the State of California, before using on such land, the California law requires that a spark arrester be provided. In addition, spark arrester is required by law to be in effective working order. The spark arrester must be attached to the exhaust system and comply with Section 4442 of the California Public Resources Code.

IMPORTANT

It is suggested that this manual be read in its entirety before attempting to assemble or operate. Keep this manual in a safe place for future reference and for ordering replacement parts.

This unit is shipped WITHOUT GASOLINE or OIL. After assembly, see operating section of this manual for proper fuel and amount.

Your rotary mower is a precision piece of power equipment, not a plaything. Therefore exercise extreme caution at all times.

SAFE OPERATION PRACTICES FOR WALK-BEHIND MOWERS

TRAINING

1. Read the Operating and Service Owner's Manual carefully. Be thoroughly familiar with the controls and the proper use of the equipment.
2. Never allow children to operate a power mower. Only persons well acquainted with these rules of safe operation should be allowed to use your mower.
3. Keep the area of operation clear of all persons, particularly small children and pets. Stop engine when they are in the vicinity of your mower. Although the area of operation should be completely cleared of foreign objects, a small object may have been overlooked and could be accidently thrown by the mower in any direction.

PREPARATION

1. Thoroughly inspect the area where the equipment is to be used and remove all stones, sticks, wire, bones and other foreign objects which could be picked up and thrown by the mower in any direction.
2. Do not operate equipment when barefoot or wearing open sandals. Always wear substantial footwear.
3. Do not wear loose fitting clothing that could get caught on the mower.
4. Check the fuel before starting the engine. Do not fill the gasoline tank indoors, when the engine is running, or while the engine is still hot. Wipe off any spilled gasoline before starting the engine.
5. Disengage the self-propelled mechanism or drive clutch on units so equipped before starting the engine.
6. Never attempt to make a wheel or cutting height adjustment while the engine is running.
7. Mow only in daylight or in good artificial light.
8. Never operate the equipment in wet grass. Always be sure of your footing; keep a firm hold on the handle and walk, never run.

OPERATION

1. Do not change the engine governor settings or overspeed the engine. Excessive engine speeds are dangerous.
2. Do not put hands or feet near or under rotating parts. Keep clear of the discharge opening at all times.
3. Stop the blade(s) when crossing gravel drive, walks or roads.
4. After striking a foreign object, stop the engine, remove the wire from the spark plug,

thoroughly inspect the mower for any damage, and repair the damage before restarting and operating the mower.

5. If the equipment should start to vibrate abnormally, stop the engine and check immediately for the cause. Vibration is generally a warning of trouble.
6. Stop the engine whenever you leave the mower, before cleaning the mower housing, and when making any repairs or inspections.
7. When cleaning, repairing or inspecting, make certain the blade and all moving parts have stopped. Disconnect the spark plug wire, and keep the wire away from the plug to prevent accidental starting.
8. Before attempting to unclog the mower or discharge chute, stop the engine and be sure the blade(s) have stopped completely. Disconnect the spark plug wire and keep the wire away from the plug to prevent accidental starting.
9. Do not run the engine indoors.
10. Shut the engine off and wait until the blade comes to a complete stop before removing the grass catcher.
11. Mow across the face of slopes, never up-and-down. Exercise extreme caution when changing direction on slopes. Do not mow excessively steep slopes.
12. Always disconnect electric mowers (line operated) before cleaning, repairing or adjusting.
13. Never operate mower without proper guards, plates or other safety protective devices in place.
14. Keep washout ports and other mower-housing service openings closed when mowing.

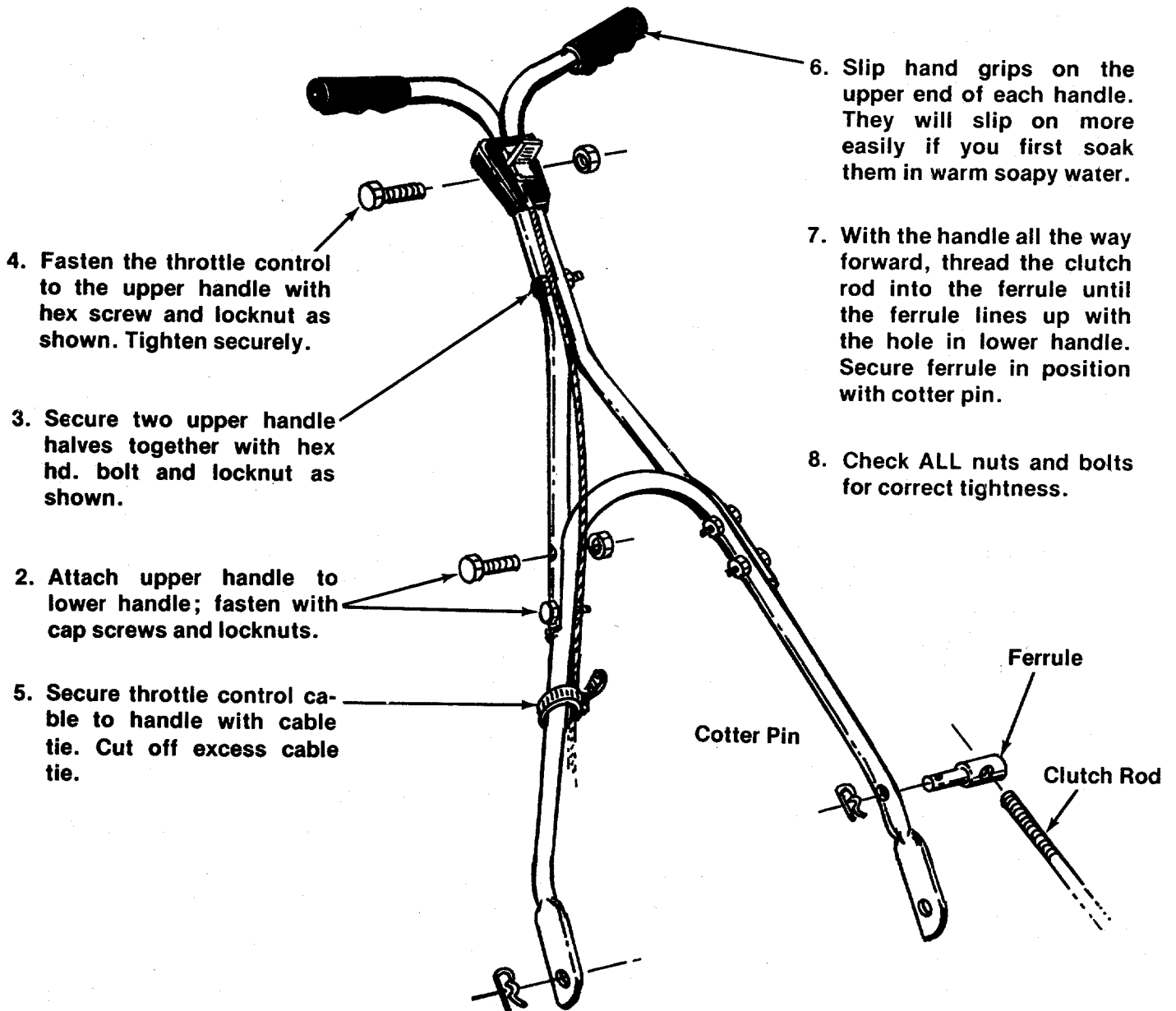
MAINTENANCE AND STORAGE

1. Check the blade and engine mounting bolts at frequent intervals for proper tightness.
2. Keep all nuts, bolts, and screws tight to be sure the equipment is in safe working condition.
3. Never store the equipment with gasoline in the tank inside of a building where fumes may reach an open flame or spark. Allow the engine to cool before storing in any enclosure.
4. To reduce fire hazard, keep the engine free of grass, leaves, or excessive grease.
5. Check the grass catcher bag frequently for wear or deterioration. For safety protection replace only with new bag meeting original equipment specifications.

HANDLE ASSEMBLY



It may be necessary to bend the ends of the lower handle outward slightly to assure a snug fit against the bracket mounting area.



4. Fasten the throttle control to the upper handle with hex screw and locknut as shown. Tighten securely.

3. Secure two upper handle halves together with hex hd. bolt and locknut as shown.

2. Attach upper handle to lower handle; fasten with cap screws and locknuts.

5. Secure throttle control cable to handle with cable tie. Cut off excess cable tie.

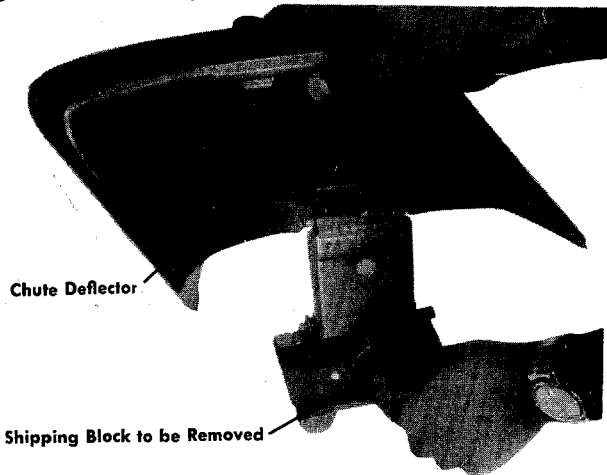
6. Slip hand grips on the upper end of each handle. They will slip on more easily if you first soak them in warm soapy water.

7. With the handle all the way forward, thread the clutch rod into the ferrule until the ferrule lines up with the hole in lower handle. Secure ferrule in position with cotter pin.

8. Check ALL nuts and bolts for correct tightness.

CAUTION

Please note that the chute deflector on your mower is in an upright position. It is held in that position by a shipping block. This block is used for shipping purposes only. It must be removed and discarded before your mower is put into operation.



This mower should be broken in following the procedure described in the break-in instructions. The added effort here will double the service life of the unit. Particular attention should be paid to the notes on alignment.

When operating this mower, unnecessary or excessive engaging of the drive pinions with the wheels should be avoided. This is achieved by minimizing the raising and lowering of the handle during the mowing operation. Failure to observe this operating rule can reduce the service life of the front tires and drive pinions substantially. When engaging the self-propelled mechanism, a slight forward push on the mower as the drive pinions and the gear tread tires mesh will add to smoother and quieter operation. In addition to a smoother operation, it will add substantially to the service life of both the tires and the drive pinions.

HANDLE ASSEMBLY PRECAUTIONS

Although the handle is of simple design, difficulty has been encountered in its assembly. Certain precautions concerning its assembly must be heeded. The handle must be assembled as shown in the diagram on page 4. Trouble arises when certain parts are put together improperly.

BREAK-IN INSTRUCTIONS

1. Before starting the engine, lubricate all the bronze bearings on the drive shaft. The same oil which is used for the engine may be used for this.
2. Check drive assembly alignment. When the handle is lifted the clutch rod is moved to the self-propelled position. The black nylon drive pinions should mesh simultaneously with the gear tread tires.

OPERATION

NOTE

For shipping purposes your mower is set with the wheels in a low cutting height position. For best results, raise the cutting position until it is determined which height is best for your lawn. See adjustments.

1. Service engine with gas and oil. See Engine Maintenance for complete instructions for care and maintenance of engine. **READ DIRECTIONS CAREFULLY.**
2. Lubricate bronze bearings on drive shaft.
3. Check drive assembly for correct alignment (See Break-in Instructions).
4. When ready to start engine, be sure handle is all the way back into free wheeling position. Start engine, after engine starts, move throttle control lever on handle to the desired engine speed.
5. When the handle is moved forward for self-propelled operation, the drive pinions engage with the gear tread tires and forward drive results.
6. Temporary free wheeling is achieved by depressing the handle and raising front wheels slightly off the ground. Self-propelled drive is resumed when handle is raised. Engine is stopped by placing control lever on handle into STOP position.

LUBRICATION

IMPORTANT

Always stop engine and disconnect spark plug wire before cleaning, lubricating or doing any kind of work on lawn mower.

Throttle—Periodically lubricate throttle control lever and throttle wire assembly with a few drops of light oil SAE No. 10 or 20 for ease of operations.

Bronze Bearings—Periodically lubricate all bronze bearings with a few drops of light oil SAE No. 10 or 20 to minimize friction.

Chute Deflector—The torsion spring and pivot point should be lubricated periodically with light oil to prevent any rust or binding. Deflector must work freely.

Engine—See Engine Maintenance for lubrication instructions.

ADJUSTMENTS



CAUTION

Do not at any time make any adjustment to lawn mower without first stopping engine and disconnecting spark plug wire.

Cutting Height—Adjustment may be made by removing and moving wheel studs to desired position. Cutting heights will be raised as wheel studs are moved to a lower hole and lowered as wheel studs are moved to a higher hole in the deck. All wheel studs must be mounted in a relative position to the deck. See figures 1, 2 and 3.

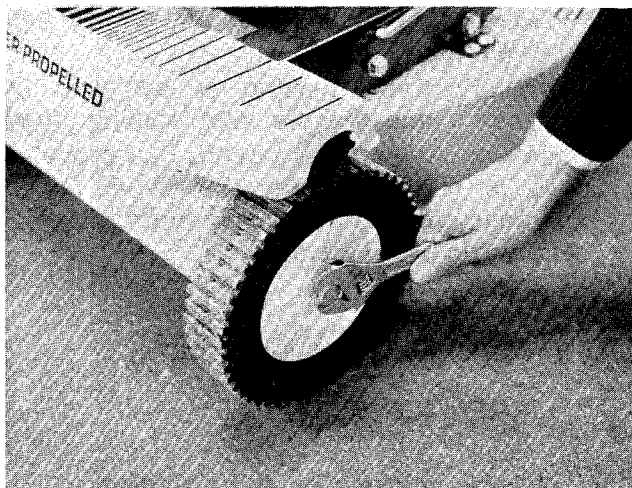


FIGURE 1.

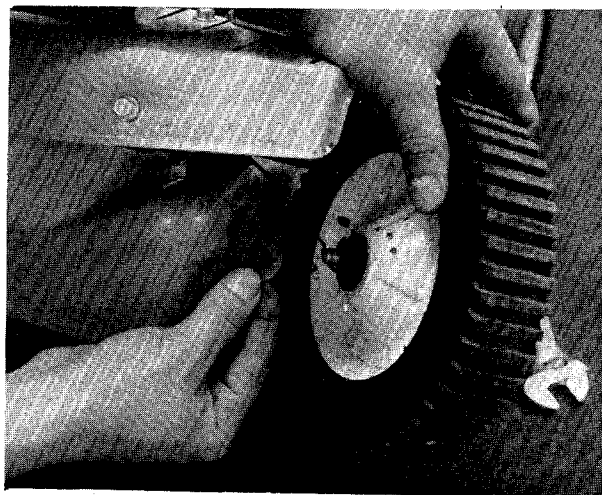


FIGURE 2.

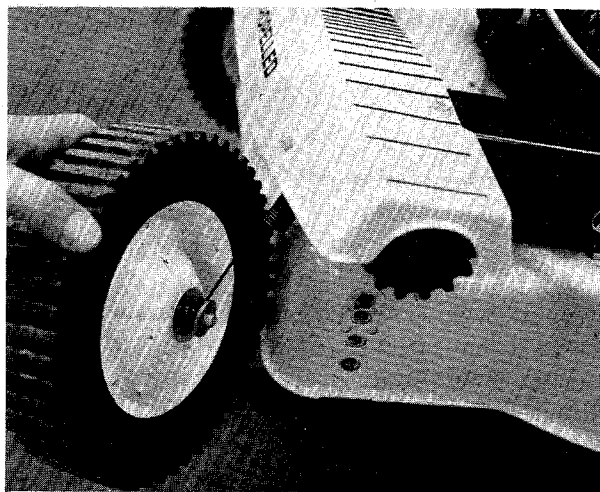


FIGURE 3.



NOTE

Belleville washer goes on axle, crown side towards wheel. See figure 2.

Select desired height and tighten axle bolt.



NOTE

When cutting height adjustment is made, adjustment of the clutch rod may be necessary. See **CLUTCH ROD ADJUSTMENT**, page 7.

Throttle—If adjustment becomes necessary, the throttle control wire assembly can be reset as follows:

1. Loosen, but do not remove, screw securing throttle control wire assembly at engine.
2. Move throttle control lever on handle to **FAST** position.

3. Move lever, to which control wire is fastened at engine, to full open position and retighten screw to secure throttle control wire assembly.

CLUTCH ROD ADJUSTMENT

If adjustment becomes necessary, or if the cutting height is changed from the lowest setting to the highest setting the clutch rod may have to be reset as follows:

1. Remove the cotter pin. See figure 4.
2. Pull the clutch rod and ferrule out of the lower handle. See figure 5.
3. Thread the ferrule on or off the rod one turn and check for alignment.
4. Place ferrule back in position and secure with cotter pin. If the engagement is still not correct, repeat the above steps.

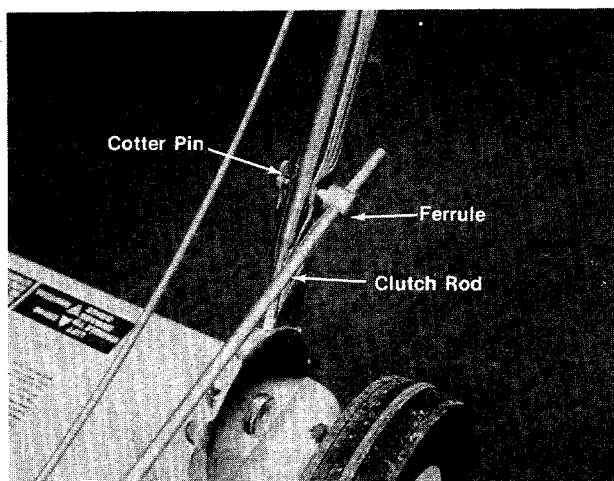


FIGURE 4.

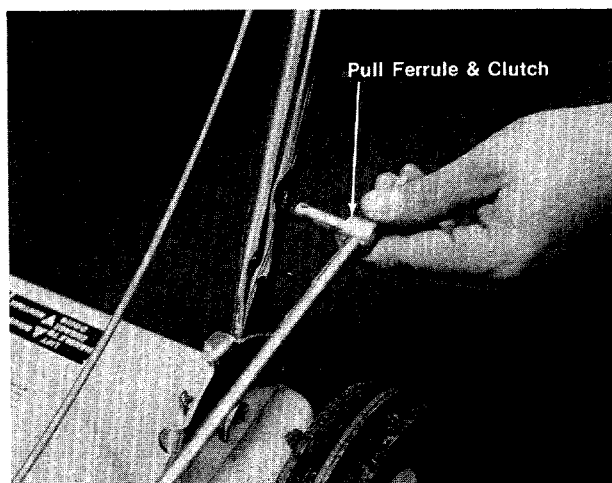


FIGURE 5.

MAINTENANCE

Cutting Blade—The blade may easily be removed for grinding or replacement as follows:

1. Remove bolt and lockwasher holding blade and blade adapter to engine crankshaft.
2. Remove blade and blade adapter from engine crankshaft.
3. Remove two bolts, lockwashers and nuts holding blade to blade adapter (if necessary).

When sharpening blade, follow the original angle of grind as a guide. It is extremely important that each cutting edge receives an equal amount of grinding to prevent an unbalanced blade. An unbalanced blade will cause excessive vibration when rotating at high speeds and may cause damage to the mower.



NOTE

To insure safe operation of your unit, ALL nuts and bolts must be checked periodically for correct tightness.

Deck—The underside of mower deck should be cleaned after each period of use as grass clippings, leaves, dirt and other matter will accumulate. This accumulation of grass clippings, etc., is undesirable as it will invite corrosion and cause an uneven discharge of grass clippings at the next cutting.

The deck may be cleaned by tilting the mower forward or on its left side and scraping clean with a suitable tool or by washing with a stream of water from a garden hose.



CAUTION

Do not direct the stream of water at a hot engine as damage to the engine may result.

STORAGE

The following steps should be taken to prepare lawn mower for storage.

1. Clean and lubricate mower thoroughly as described in the preceding instructions.
2. Refer to engine manual for correct engine storage instructions.
3. Coat mower's cutting blade with chassis grease to prevent rusting.

4. Place blocks under deck to raise tires clear of floor.
5. Store mower in a dry, clean area.

USING YOUR ROTARY MOWER

For best results do not cut wet grass because it tends to stick to the underside of the mower thus preventing proper discharge of grass clippings. If wet grass must be cut, reduce walking speed to help distribute the clippings more effectively.

New grass should be treated as wet grass, otherwise a normal walking speed is about the right pace for efficient mowing.

The best mowing pattern is one that allows the clippings to discharge towards the uncut part of the lawn. This permits recutting of the clippings to further pulverize them. When cutting high weeds, discharge towards cut portion, then recut at right angles to first direction.

Lawn should be cut in the fall as long as there is growth.

HANDLE STORAGE

The handle may be put in a storage position; use the following steps:

1. Remove hairpin cotter from ferrule on clutch rod.
2. Pull the ferrule out of the handle.
3. Replace the hairpin cotter.
4. Press inward on the lower handle and move it forward.
5. To put the handle back into the operating position, simply pull the handle back. It will lock automatically.

BELT REMOVAL

1. Remove the pinion cover.
2. Remove both tension springs. (See figure 6.)
3. Using a screw driver remove the E-rings and pinions on both wheels.
4. Remove the shoulder bolt, lockwashers and nut on the belt cover.
5. Remove the engagement rod.
6. Slide the belt cover to the left.
7. Unhook the belt from the idler and the pulleys.

8. Remove the shoulder bolt, lockwasher and nut from the cover support bracket.
9. Remove belt and reassemble in reverse order with a new belt.

OFF-SEASON STORAGE

If the machine is to be inoperative for a period longer than 30 days, the following procedures are recommended:

1. Working outdoors, drain all fuel from the fuel tank. Use a clean dry cloth to absorb the small amount of fuel remaining in the tank, then run the engine until all fuel in the carburetor is exhausted.



Do not drain fuel while smoking, or if near an open fire.

2. Drain all the oil from the crankcase (this should be done after the engine has been operated and is still warm) and refill the crankcase with clean new oil.
3. Disconnect the spark plug wire and remove the spark plug from the cylinder. Pour about 2 or 3 tablespoons of engine oil into the cylinder, and then turn the engine over several times to spread out the oil. Replace the spark plug, but do not connect the wire.
4. Clean the engine and the entire mower thoroughly.

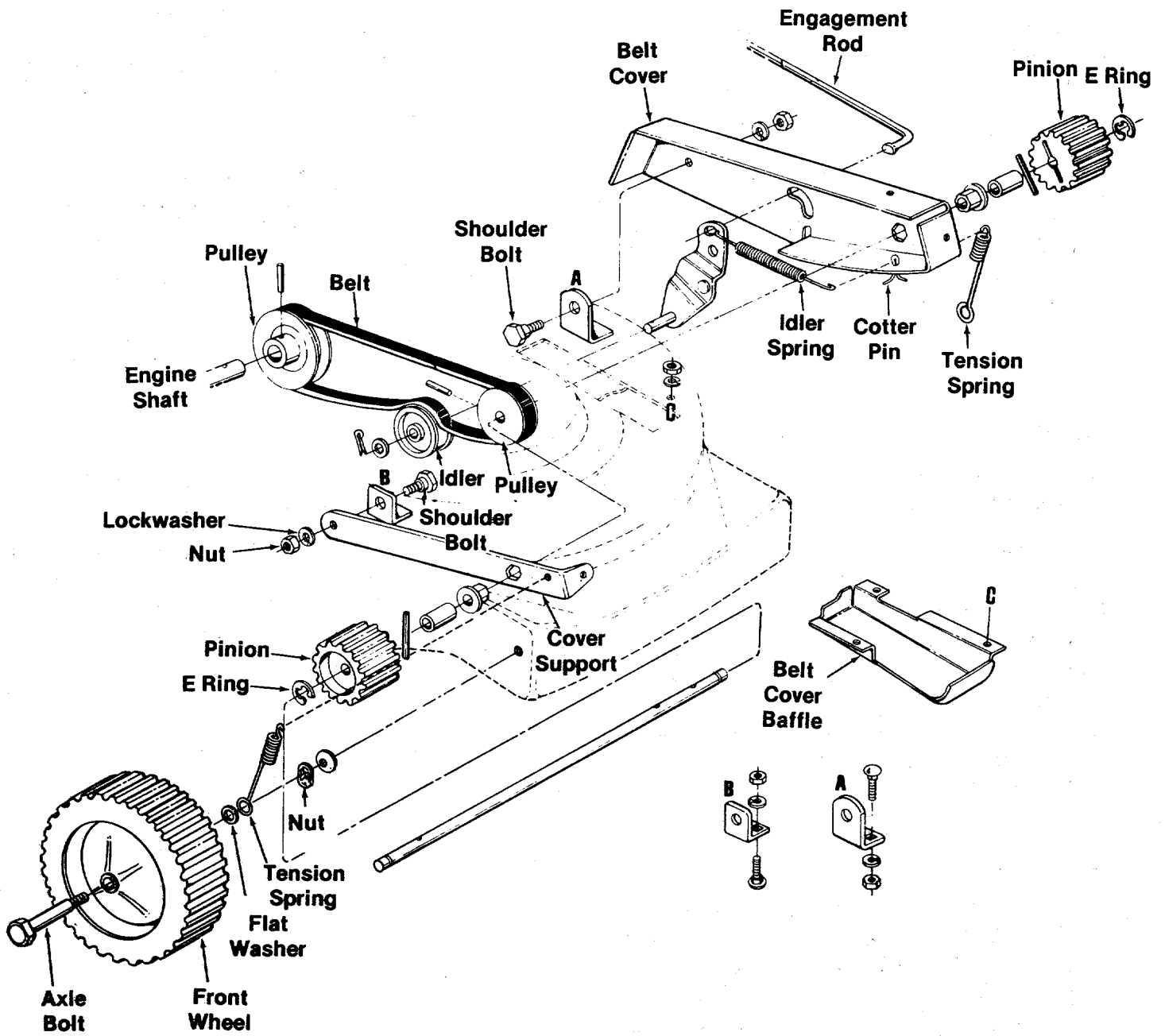


FIGURE 6.



NOTE

The manufacturer DOES NOT recommend the use of any accessory on this rotary mower other than those manufactured by the mower manufacturer.

GRASS CATCHER Model No. 199-003A is available as optional equipment for the mowers shown in this manual.



WARNING

1. The mower should not be operated without the entire grass catcher or chute deflector in place.
2. The mower should not be operated without the protective shield on the rear of the deck in place.



NOTE

Under normal usage bag material is subject to wear and should be checked periodically. Be sure any replacement bag complies with the mower manufacturer's recommendations.

For replacement bags, use only factory authorized replacement bag No. 764-0119.

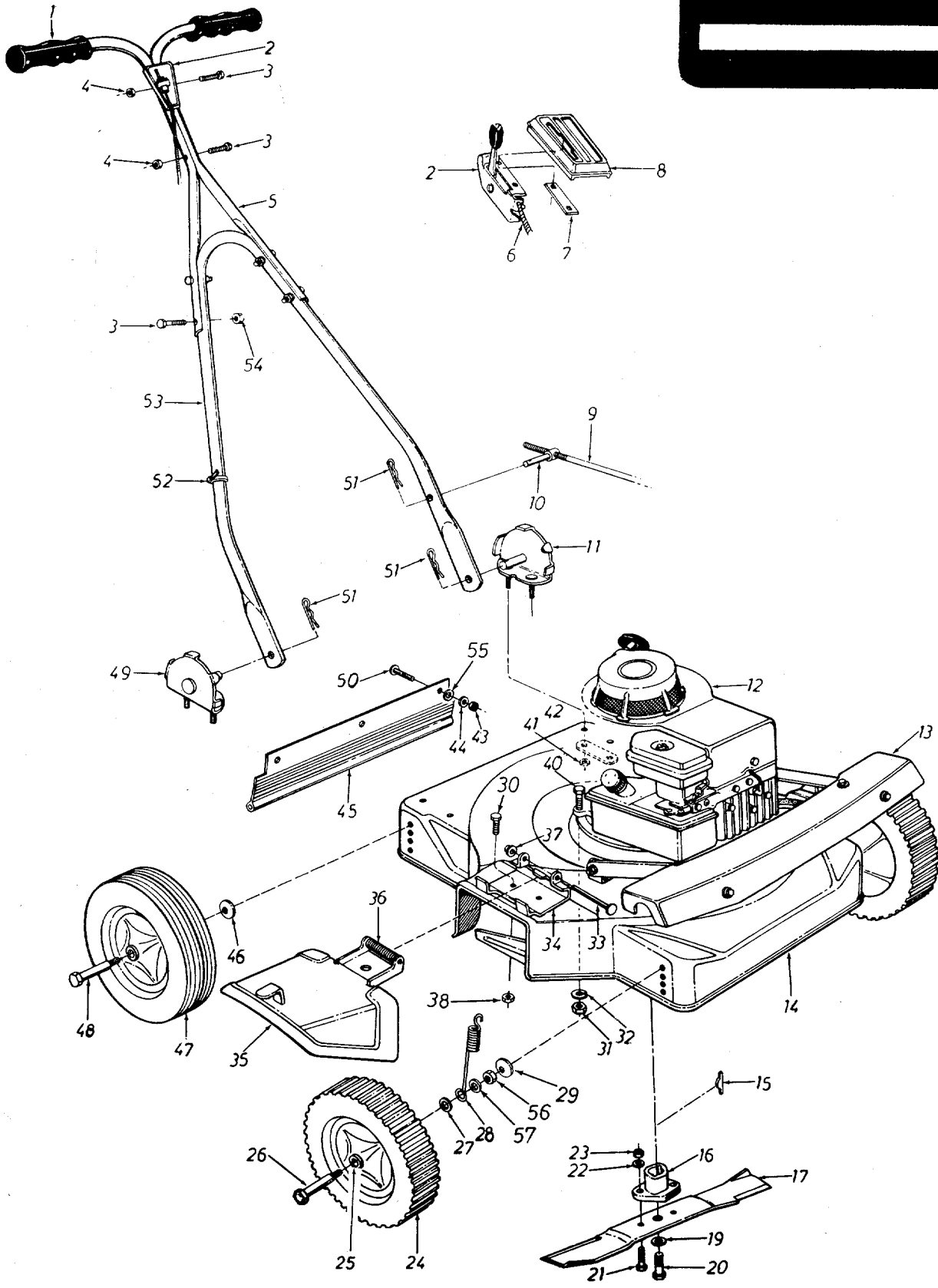


IMPORTANT

After striking a foreign object, stop the engine, remove wire from spark plug. Thoroughly inspect the mower for any damage, and repair the damage before restarting and operating the mower.

129-250A 129-250-300

IF YOU WRITE TO US ABOUT THIS ARTICLE
OR IF YOU ORDER REPLACEMENT PARTS AL-
WAYS MENTION THIS MODEL & SERIAL NO
MODEL



PARTS LIST FOR MODELS 129-250A AND 129-250-300

REF. NO.	PART NO.	COLOR CODE	DESCRIPTION	NEW PART	REF. NO.	PART NO.	COLOR CODE	DESCRIPTION	NEW PART
1	720-0157		Grip		29	736-0105		Bell. Wash. .40" I.D. x .88" O.D. x .06	
2	746-0315		Throttle Control Comp.		30	710-0289		Hex Scr. 1/4-20 x .50" Lg.*	
3	710-0606		Hex Scr. 1/4-20 x 1.50" Lg.*		31	712-0123		Hex Nut 5/16-24 Thd.*	
4	712-0107		Hex Cent. L-Nut 1/4-20*		32	736-0119		L-Wash. for 5/16" Scr.*	
5	749-0111		Upper Handle		33	711-0555		Pivot Pin	
6	745-0240		Conduit and Wire		34	11130 —456		Adapter Plate	
7	726-0134		Speed Nut #8-32		35	11679 —456		Chute Deflector Ass'y.	
8	731-0344		Plastic Cover		36	732-0253		Torsion Spring	
9	747-0276		Engagement Rod 18.0" Lg.		37	726-0106		Push Nut 1/4" Rod	
10	711-0570		Adjustment Ferrule		38	712-0107		Hex Cent. L-Nut 1/4-20 Thd.	
11	11801		Handle Brkt. Ass'y.—L.H.		40	710-0158		Hex Scr. 5/16-24 x 1.50" Lg.*	
12	—		Engine		41	712-0107		Hex Cent. L-Nut 1/4-20*	
13	12982 —456		Cover		42	08405		Reinforcement Plate	
14	13601 —456		Deck Ass'y.		43	712-0287		Hex Nut 1/4-20 Thd.*	
15	714-0365		#6 Hi-Pro Key—5/32" x 5/8" Dia.		44	736-0329		L-Wash. 1/4" Scr.*	
16	10769		Blade Adapter Kit		45	731-0446		Rear Flap Ass'y.	
17	742-0123		20" Blade		46	736-0105		Bell. Wash. .40 I.D. x .88 O.D. x .06	
18	10769		Blade Adapter Kit		47	734-0894		Rear Wheel Ass'y. Comp.	N
19	736-0217		L-Wash. for 3/8 Scr.*		48	738-0213		Axle Bolt	
20	710-0459		Hex Scr. 3/8-24 x 1.50" Lg.*		49	11802		Handle Brkt. Ass'y.—R.H.	
21	710-0117		Hex Scr. 5/16-24 x 1.00" Lg.*		50	710-0286		Truss Mach. Scr. 1/4-20 x .50" Lg.*	
22	736-0119		L-Wash. for 5/16" Scr.*		51	714-0104		Intern. Cotter Pin 5/16" Dia.	
23	712-0123		Hex Nut 5/16-24 Thd.*		52	726-0178		Plastic Cable Tie	
24	734-0538		Front Wheel Ass'y. Comp.		53	749-0317		Lower Handle	
25	741-0262		Fortiflex Bearing	N	54	712-0107		Hex Cent. L-Nut 1/4-20 Thd.	
26	738-0414		Axle Bolt		55	736-0173		Flat Wash.	
27	736-0160		Fl-Wash. .53" I.D. x 1.25" O.D. x .030		56	712-0266		Hex Cent. L-Jam Nut 3/8-16 Thd.	
28	732-0353		Extension Spring .57" O.D. x 4.50"		57	736-0300		Flat Wash.	

*For faster service obtain standard nuts, bolts and washers locally. If these items cannot be obtained locally, order by part number and size as shown on parts list.

(456—Radiant Tangerine) When ordering parts if color or finish is important, use color code shown at left. (e.g. Radiant Tangerine Finish—11430 (456).)

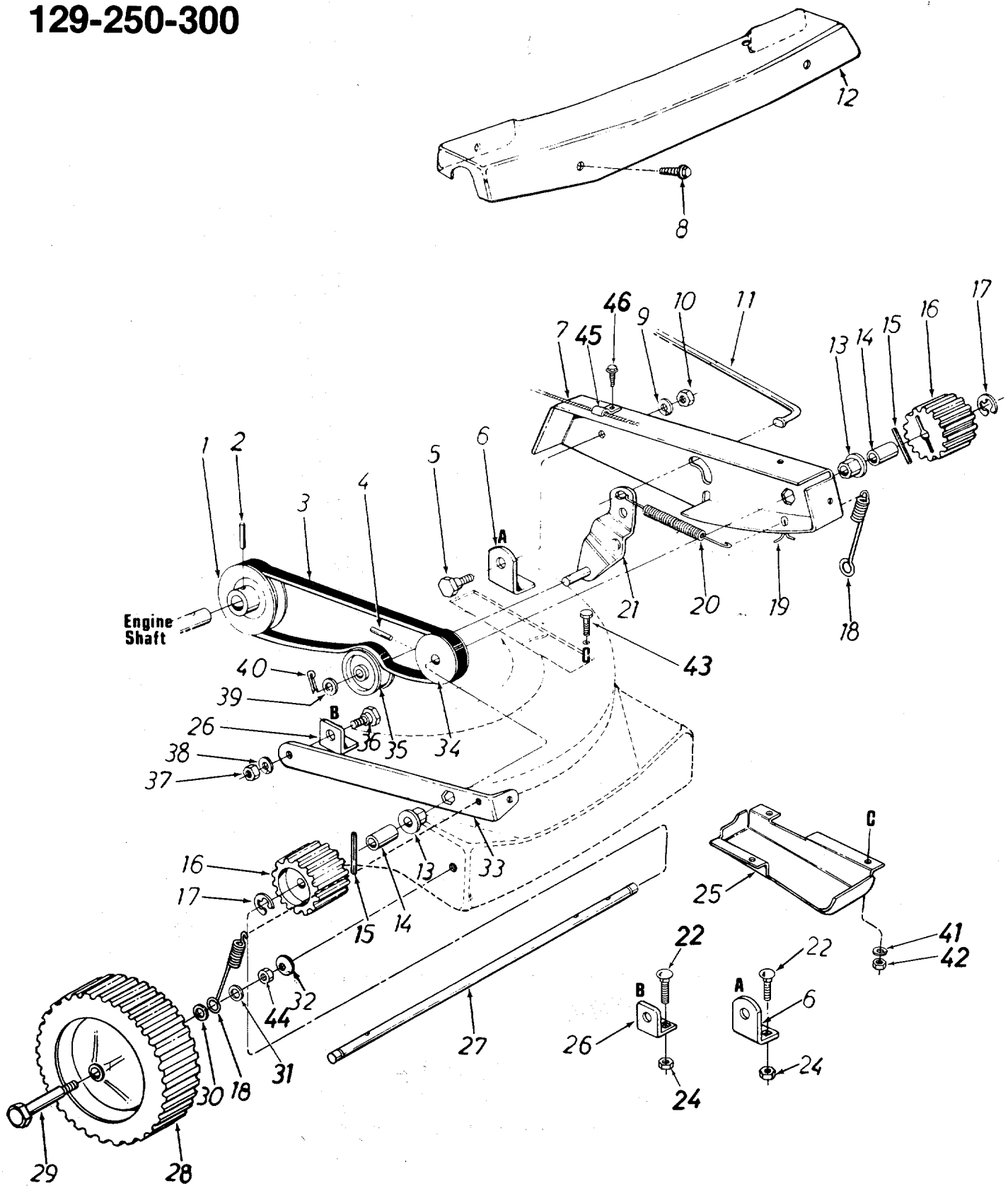
The engine is not under warranty by the mower manufacturer. If repairs or service is needed on the engine, please contact your nearest authorized engine service outlet. Check the "Yellow Pages" of your telephone book under "Engines — Gasoline."



NOTE

This instruction manual covers various models and all specifications shown do not necessarily apply to your model. Specifications subject to change without notice or obligation.

129-250A
129-250-300



PARTS LIST FOR MODELS 129-250A AND 129-250-300

REF. NO.	PART NO.	COLOR CODE	DESCRIPTION	NEW PART	REF. NO.	PART NO.	COLOR CODE	DESCRIPTION	NEW PART
1	756-0289		1/2" V Engine Pulley		24	712-0107		Hex Cent. L-Nut 1/4-20 Thd.	
2	715-0246		Spring Pin Spiral 3/16" Dia. x 1.25" Lg.		25	13610		Belt Cover Baffle	
3	754-0163		V Belt 1/2" x 28.0" Lg.		26	12979		Cover Support Pivot Brkt.	
4	715-0247		Spring Pin Spiral 3/16" Dia. x 1.00" Lg.		27	738-0356		Pinion Shaft	
5	738-0147		Shld. Scr. .500 Dia. x 1.70"		28	734-0538		Front Wheel Ass'y. Comp.	
6	12979		Cover Support Pivot Brkt.		29	738-0129		Axle Bolt	
7	13613	—456	Belt Cover		30	736-0160		Fl-Wash. .53" I.D. x 1.25" O.D. x .030	
8	710-0599		Hex Wash. Self Tapp Scr. 1/4"-20 x .50" Lg.		31	736-0300		Flat Wash.	
9	736-0169		L-Wash. for 3/8" Scr.*		32	736-0105		Bell. Wash. .40 I.D. x .88 O.D. x .06	
10	712-0342		Hex Jam Nut 3/8-16 Thd.*		33	12980		Cover Support Brkt.	
11	747-0276		Engagement Rod 18.0" Lg.		34	756-0290		1/2" V Pulley .50 I.D. x 2.00" O.D.	
12	12982	—456	Cover		35	756-0192		Idler Pulley	
13	748-0228		Hex Flange Brg. .505" I.D.		36	738-0147		Shld. Scr. .500" Dia. x 1.70"	
14	748-0125		Sleeve Brg. .503" I.D.		37	712-0342		Hex Jam Nut 3/8-16 Thd.*	
15	715-0246		Spring Pin Spiral		38	736-0169		L-Wash for 3/8" Scr.*	
16	731-0393		13 Teeth Drive Pinion		39	735-0150		Fl-Wash. .53" I.D. x .93" O.D. x .050"	
17	716-0104		"E"-Ring for .50" Dia. Shaft		40	714-0115		Cotter Pin 1/8" Dia. x 1.00" Lg.*	
18	732-0353		Extension Spring .57" O.D. x 4.50"		41	736-0329		L-Wash. 1/4" Scr.*	
19	714-0115		Cotter Pin 1/8" Dia. x 1.00" Lg.*		42	712-0287		Hex Nut 1/4-20 Thd.*	
20	732-0265		Extension Spring .38" O.D. x 3.18" Lg.		43	710-0289		Hex Scr. 1/4-20 x .50 Lg.*	
21	13608		Idler Brkt. Ass'y.		44	712-0266		Hex Cent. L-Jam Nut 3/8-16 Thd.	
22	710-0167		Carriage Bolt 1/4-20 x .50" Lg.*		45	710-0599		Hex Wash. Self Tap Scr. 1/4-20 x .50" Lg.	
23	736-0329		Spring L-Wash. for 1/4" Scr.		46	12894		Cable Hold Down	

*For faster service obtain standard nuts, bolts and washers locally. If these items cannot be obtained locally, order by part number and size as shown on parts list.

(456—Radiant Tangerine) When ordering parts if color or finish is important, use color code shown at left. (e.g. Radiant Tangerine Finish—11430 (456).)

The engine is not under warranty by the mower manufacturer. If repairs or service is needed on the engine, please contact your nearest authorized engine service outlet. Check the "Yellow Pages" of your telephone book under "Engines — Gasoline."



PARTS INFORMATION

POWER EQUIPMENT PARTS AND SERVICE

Parts and service for all MTD manufactured power equipment are available through the authorized service firms listed below. All orders should specify the model number of your unit, parts number, description of parts and the quantity of each part required.

ALABAMA	BIRMINGHAM
Auto Electric & Carburetor Co.	2625 4th Ave. S. 35233
ARKANSAS	NORTH LITTLE ROCK
Sutton's Lawn Mower Shop	Rt. 4 Box 368 72117
Mity Mite Motors, Inc.	2515 Towson Ave. 72901
CALIFORNIA	PORTERVILLE
Billious	75 North D Street 93257
Lawn Mower Supply Co.	25608 E. Baseline 92410
J.W. Jewett Co.	981 Folsom St. 94107
Luttig & Severson	2030 28th St. 95818
COLORADO	DENVER
South Denver Lawn Equip.	527 West Evans 80223
FLORIDA	JACKSONVILLE
Radco Distributors	2403 Market St. 32206
Moz-All of Florida, Inc.	365 Greco Ave. 33146
GEORGIA	EAST POINT
East Point Cycle & Key	2834 Church St. 30344
ILLINOIS	LYONS
Keen Edge Co.	8615 Ogden Ave. 60534
INDIANA	ELKHART
Parts & Sales Inc.	2101 Industrial Pkwy. 46514
IOWA	DUBUQUE
Power Lawn & Garden Equip.	2551 J.F. Kennedy 52001
LOUISIANA	NEW ORLEANS
Suhren Engine Co.	8330 Earhart Blvd. 70118
MARYLAND	TAKOMA PARK
Center Supply Co.	6867 New Hampshire Ave. 20012
MASSACHUSETTS	SPRINGFIELD
Morton B. Collins Co.	300 Birnie Ave. 01107
MICHIGAN	MOUNT CLEMENS
Power Equipment Dist.	36463 South Gratiot 48043
Lorenz Service Co.	2500 S. Pennsylvania 48900
MINNESOTA	MINNETONKA
Hance Distributing Inc.	11212 Wayzata Blvd. 55343
Power Tools Inc.	3771 Sibley Memorial Hwy. 55122
MISSISSIPPI	BILOXI
Biloxi Sales & Service, Inc.	506 Caillavet St. 39533
MISSOURI	KANSAS CITY
Automotive Equip. Service	3117 Holmes St. 64109
Ross-Frazier Supply Co.	8th and Monteray 64503
Henzler, Inc.	2015 Lemay Ferry Rd. 63125
NEW JERSEY	BELLMAWR
Lawnmower Parts Inc.	717 Creek Rd., P.O. Box 7.08030
Feld Distributor	28 Glen Rd. 07070
NEW YORK	CARTHAGE
Gamble Dist., Inc.	West End Ave. 13619

BRIGGS AND STRATTON, TECUMSEH AND PEERLESS PARTS AND SERVICE

Briggs & Stratton, Tecumseh and Peerless parts and service should be handled by your nearest authorized engine service firm. Check the yellow pages of your telephone directory under the listing **Engines—Gasoline**, Briggs & Stratton or Tecumseh Lauson.

OHIO	SYRACUSE
National Central	687 Seville Rd. 44281
Bleckrie, Inc.	7900 Lorain Ave. 44102
Stebe's Mid-State Mower Supply	Box 366-71 High St. 43112
Burton Supply Co.	1301 Logan Ave. Box 929 44501
OKLAHOMA	MUSKOGEE
Victory Motors, Inc.	605 S. Cherokee 74401
Forest Sales Inc.	1039 NW 63rd St. 73116
Ada Auto Supply	301 E. 12th St. 74820
OREGON	PORTLAND
Kenton Supply Co.	8216 N. Denver Ave. 97217
PENNSYLVANIA	CHESTER
Stull Equipment Corp.	742 W. Front St. 19013
EECO Inc.	4021 N. 6th St. 17110
Thompson Rubber Co.	5222-24 N Fifth St. 19120
Bluemont Co.	11125 Frankstown Rd. 15235
TENNESSEE	KNOXVILLE
Master Repair Service	2423 Broadway, N.E. 37917
Memphis Cycle & Supply Co.	421 Monroe Ave. 38103
American Sales & Service, Inc.	1922 Lynnbrook 38116
TEXAS	DALLAS
Marr Brothers, Inc.	423 E. Jefferson 75203
Bullard Supply Co.	2409 Commerce St. 77003
Catto & Putty, Inc.	P.O. Box 2408 78206
Woodson Sales Corp.	1702 N. Sylvania 76111
UTAH	SALT LAKE CITY
A-1 Engine & Mower Co.	437 E. 9th St. 84111
VERMONT	BURLINGTON
Vermont Hdwe. Co. Inc.	180 Flynn Ave. 05401
VIRGINIA	RICHMOND
RBI Corp.	963 Myers St. 23260
WASHINGTON	SEATTLE
Bailey's Inc.	1414 14th Ave. 98122
WEST VIRGINIA	CHARLESTON
Young's, Inc.	233 Virginia St., E. 25301
WISCONSIN	APPLETON
Automotive Supply Co.	123 S. Linwood Ave. 54911

WARRANTY PARTS AND SERVICE POLICY

The purpose of warranty is to protect the customer from defects in workmanship and materials, defects which are NOT detected at the time of manufacture. It does not provide for the unlimited and unrestricted replacement of parts. Use and maintenance are the responsibility of the customer. The manufacturer cannot assume responsibility for conditions which it has no control. Simply put, if it's the manufacturer's fault, it's the manufacturer's responsibility; if it's the customer's fault, it's the customer's responsibility.

CLAIMS AGAINST THE MANUFACTURER'S WARRANTY INCLUDES

1. Replacement of Missing Parts on new equipment.
2. Replacement of Defective Parts within the warranty period.
3. Repair of Defects within the warranty period.

All claims MUST be substantiated with the following information:

1. Model Number of unit involved.
2. Date unit was purchased or first put into service.
3. Date of failure.
4. Nature of failure.