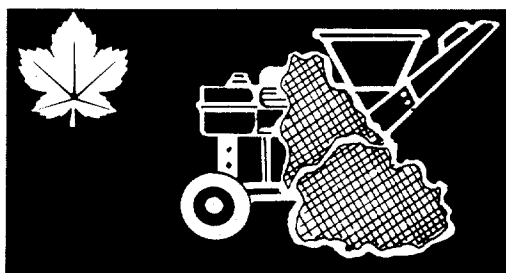
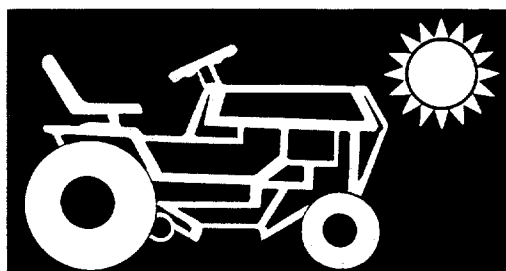


\$1.00

# OWNER'S GUIDE

OUTDOOR POWER EQUIPMENT  
for all seasons



**21"  
REAR  
DISCHARGE  
SELF-PROPELLED  
ROTARY MOWER**

**Model Numbers  
128-442R000  
128-452R000  
128-456R000  
128-459R000**

**IMPORTANT:  
Read Safety Rules and  
Instructions Carefully**

Thank you for purchasing  
an American-built product.

# INDEX

Slope Gauge .....	3
Contents of Hardware Pack .....	4
Rules for Safe Operation .....	5
Assembly .....	6
Controls .....	13
Operation .....	13
Adjustments .....	15
Lubrication .....	16
Maintenance .....	16
Off-Season Storage .....	17
Illustrated Parts .....	18, 21
Repair Parts List .....	19, 21
Trouble Shooting Chart .....	22
Parts Information .....	Back Cover

Dear Customer,

So often throughout the year we are all in a rush to meet our daily obligations.

However, we at MTD Products Inc are taking a quick moment out to say...

**"Thank you for your business."**

Sincerely,  
MTD PRODUCTS INC



**INSTRUCTIONS GIVEN WITH THIS SYMBOL ARE FOR PERSONAL SAFETY. BE SURE TO FOLLOW THEM.**

## LIMITED WARRANTY

For one year from the date of original retail purchase, MTD PRODUCTS INC will either repair or replace, at its option, free of charge, F.O.B. factory or authorized service firm, any part or parts found to be defective in material or workmanship. Transportation charges for the movement of any power equipment unit or attachment are the responsibility of the purchaser. Transportation charges for any parts submitted for replacement under this warranty must be paid by the purchaser unless such return is requested by MTD PRODUCTS INC.

This warranty will not apply to any part which has become inoperative due to misuse, excessive use, accident, neglect, improper maintenance, alterations, or unless the unit has been operated and maintained in accordance with the instructions furnished. This warranty does not apply to the engine, motor, battery, battery charger or component parts thereof. Please refer to the applicable manufacturer's warranty on these items.

This warranty will not apply where the unit has been used commercially.

Warranty service is available through your local authorized service dealer or distributor. If you do not know the dealer or distributor in your area, please write to the Customer Service Department of MTD.

The return of a complete unit will not be accepted by the factory unless prior written permission has been extended by MTD.

This warranty gives you specific legal rights. You may also have other rights which vary from state to state.

**WARNING:** This unit is equipped with an internal combustion engine and should not be used on or near any unimproved forest-covered, brush-covered or grass covered land unless the engine's exhaust system is equipped with a spark arrester meeting applicable local or state laws (if any). If a spark arrester is used, it should be maintained in effective working order by the operator.

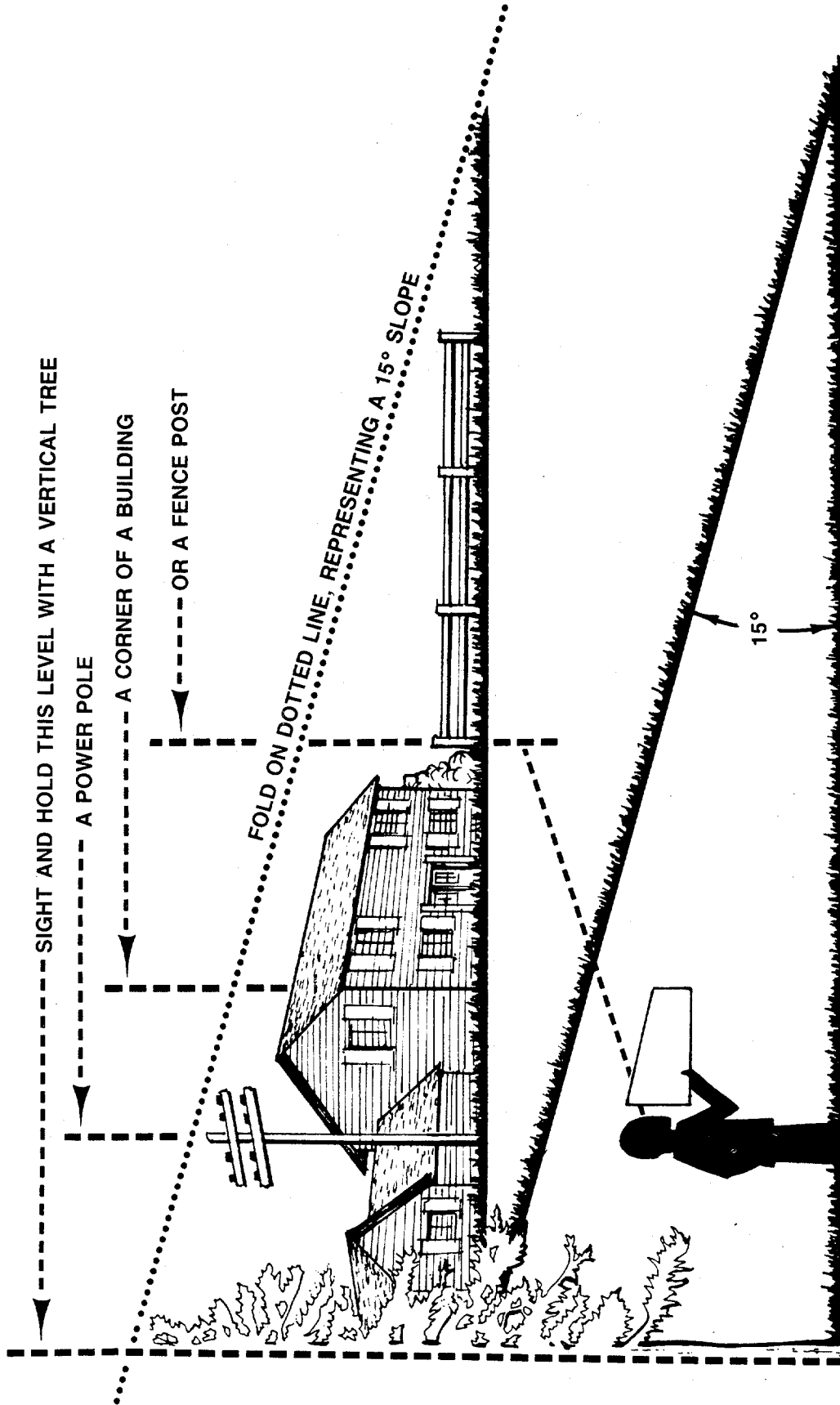
In the State of California the above is required by law (Section 4442 of the California Public Resources Code). Other states may have similar laws. Federal laws apply on federal lands. A spark arrester for the muffler is available through your nearest engine authorized service center.

Cut Along This Line

USE THIS SHEET AS A GUIDE TO DETERMINE SLOPES WHERE YOU MAY NOT OPERATE SAFELY.

# SLOPE GAUGE

(Keep this sheet in a safe place for future reference.)



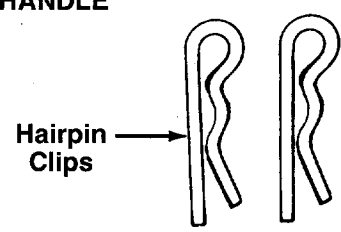
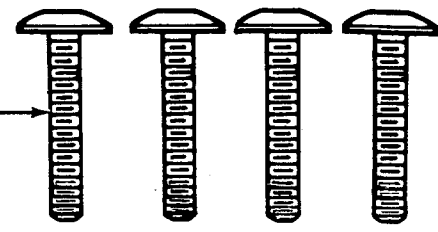
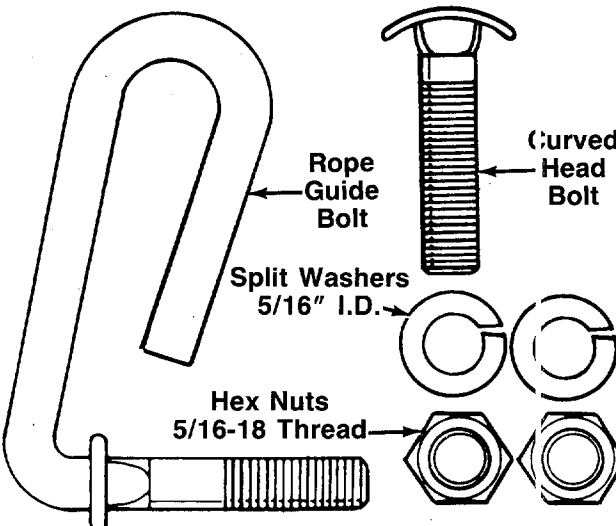
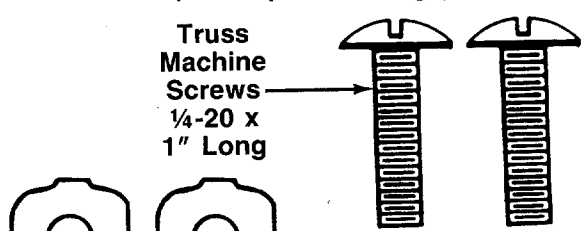
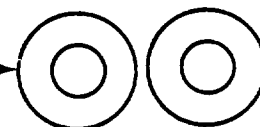

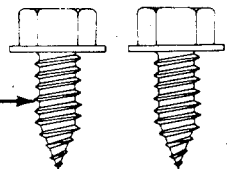
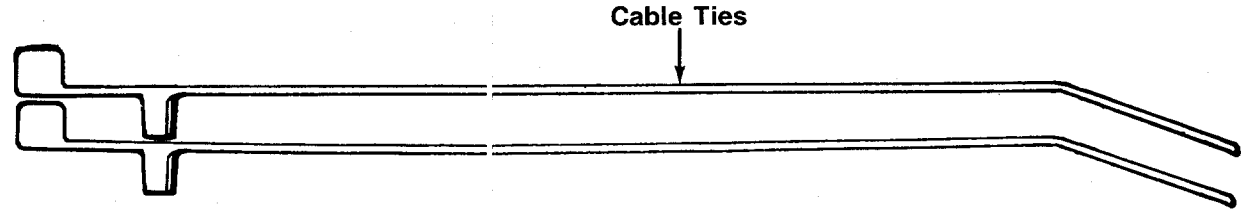
Do not mow on inclines with a slope in excess of 15 degrees (a rise of approximately 2½ feet every 10 feet). A riding mower could overturn and cause serious injury. If operating a walk-behind mower on such a slope, it is extremely difficult to maintain your footing and you could slip, resulting in serious injury.

Operate RIDING mowers up and down slopes, never across the face of slopes.

Operate WALK-BEHIND mowers across the face of slopes, never up and down slopes.

# CONTENTS OF HARDWARE PACK

Remove this sheet from your owner's manual and lay the hardware on the illustration for identification purposes. After assembly, keep the Slope Gauge which is on the reverse side of this sheet for future use.  
(Hardware pack may contain extra items which are not used on your unit.)

<p><b>A ATTACHING THE LOWER HANDLE</b></p>  <p>Hairpin Clips</p>	<p><b>D ASSEMBLY OF GRASS CATCHER</b></p> <p>Model 442R (Soft Grass Bag):</p>  <p>Self-Tapping Screws</p>
<p><b>B ATTACHING THE UPPER HANDLE</b></p>  <p>Rope Guide Bolt</p> <p>Curved Head Bolt</p> <p>Split Washers 5/16" I.D.</p> <p>Hex Nuts 5/16-18 Thread</p>	<p>Models 452R and 459R (Hardtop Grass Bags):</p> <p>Truss Machine Screws 1/4-20 x 1" Long</p>  <p>Mounting Clips</p> <p>Flat Washers 1/4" I.D. x 5/8" O.D.</p>  <p>Hex Nuts 1/4-20 Thread</p>  <p>Self-Tapping Screws</p> 
<p><b>C SECURING THE CABLES</b></p>  <p>Cable Ties</p>	



Cut Along this Line.

# IMPORTANT

## RULES FOR SAFE OPERATION



THIS SYMBOL POINTS OUT IMPORTANT SAFETY INSTRUCTIONS WHICH, IF NOT FOLLOWED, COULD ENDANGER THE PERSONAL SAFETY AND/OR PROPERTY OF YOURSELF AND OTHERS. READ AND FOLLOW ALL INSTRUCTIONS IN THIS MANUAL BEFORE ATTEMPTING TO OPERATE YOUR LAWN MOWER. FAILURE TO COMPLY WITH THESE INSTRUCTIONS MAY RESULT IN PERSONAL INJURY. WHEN YOU SEE THIS SYMBOL—



**HEED ITS WARNING.**



**Your lawn mower was built to be operated according to the rules for safe operation in this manual. As with any type of power equipment, carelessness or error on the part of the operator can result in serious injury. If you violate any of these rules, you may cause serious injury to yourself or others.**



### TRAINING

1. Read this owner's manual carefully in its entirety before attempting to assemble or operate this machine. Be completely familiar with the controls and the proper use of this machine before operating it. Keep this manual in a safe place for future and regular reference and for ordering replacement parts.
2. Your rotary mower is a precision piece of power equipment, not a plaything. Therefore, exercise extreme caution at all times.
3. Never allow children to operate a power mower. Only persons well acquainted with these rules of safe operation should be allowed to use your mower.
4. Keep the area of operation clear of all persons, particularly small children and pets. Stop engine when they are in the vicinity of your mower to help prevent blade contact or thrown object injury. Although the area of operation should be completely cleared of foreign objects, an object may have been overlooked and could be accidentally thrown by the mower in any direction and cause serious personal injury to the operator or any others allowed in the area.



### PREPARATION

1. Thoroughly inspect the area where the equipment is to be used. Remove all stones, sticks, wire, bones and other foreign objects which could be picked up and thrown by the mower in any direction and cause serious personal injury to the operator or any others allowed in the area.
2. Always wear safety glasses or eye shields during operation or while performing an adjustment or repair, to protect eyes from foreign objects that may be thrown from the machine in any direction.
3. Wear sturdy, rough-soled work shoes and close-fitting slacks and shirts to avoid entanglement in the moving parts. Never operate a unit in bare feet, sandals, or sneakers.
4. Check the fuel before starting the engine. Gasoline is an extremely flammable fuel. Do not fill the gasoline tank indoors, while the engine is running, or until engine has been allowed to cool for two minutes after running. Replace gasoline cap securely and wipe off any spilled gasoline before starting the engine as it may cause a fire or explosion.
5. Disengage the self-propelled mechanism or drive clutch on units so equipped before starting the engine.
6. The blade control handle is a safety device. Never attempt to bypass its operation. Doing so makes the safety device inoperative and may result in personal injury through contact with the rotating blade. The blade control handle must operate easily in both directions.
7. Never attempt to make a wheel or cutting height adjustment while the engine is running.
8. Never operate the equipment in wet grass. Always be sure of your footing. A slip and fall can cause serious personal injury. Keep a firm hold on the handle and walk, never run. Mow only in daylight or in good artificial light.



### OPERATION

1. Do not change the engine governor settings or overspeed the engine. Excessive engine speeds are dangerous.
2. Do not put hands or feet near or under rotating parts. Keep clear of the discharge opening at all times as the rotating blade can cause injury.
3. Stop the blade when crossing gravel drives, walks or roads.
4. After striking a foreign object, stop the engine, remove the wire from the spark plug, and thoroughly inspect the mower for any damage. Repair the damage before restarting and operating the mower.
5. If the equipment should start to vibrate abnormally, stop the engine and check immediately for the cause. Vibration is generally a warning of trouble.
6. Shut the engine off and wait until the blade comes to a complete stop before removing the grass catcher or unclogging the chute. The cutting blade continues to rotate for a few seconds after the engine is shut off. Never place any part of the body in the blade area until you are sure the blade has stopped rotating.
7. Before cleaning, repairing or inspecting, make certain the blade and all moving parts have stopped. Disconnect the spark plug wire, and keep the wire away from the spark plug to prevent accidental starting.
8. Do not run the engine indoors.
9. Mow across the face of slopes, never up-and-down. Exercise extreme caution when changing direction on slopes. Do not mow excessively steep slopes. Always be sure of your footing. A slip and fall can cause serious personal injury.
10. Never operate mower without proper guards, plates or other safety protective devices in place.
11. Do not operate this mower with the chute door open, unless the complete grass catcher is properly mounted on the mower.



### MAINTENANCE AND STORAGE

1. Check the blade and engine mounting bolts at frequent intervals for proper tightness.
2. Keep all nuts, bolts, and screws tight to be sure the equipment is in safe working condition.
3. Never store the equipment with gasoline in the tank inside of a building where fumes may reach an open flame or spark. Allow the engine to cool before storing in any enclosure.
4. To reduce fire hazard, keep the engine free of grass, leaves, or excessive grease.
5. Check the grass catcher bag frequently for wear or deterioration. For safety protection, replace only with new bag meeting original equipment specifications.

➔ **IMPORTANT:** This unit is shipped **WITHOUT GASOLINE** or **OIL**. After assembly, service engine with gasoline and oil as instructed in the separate engine manual packed with your unit.

➔ **NOTE:** Reference to right or left hand side of the mower is observed from the operating position.

## ASSEMBLY INSTRUCTIONS

### Tools Required for Assembly

- (1) Pair of Pliers
- (1) 1/2" Wrench\*
- (1) 5/16" Wrench or Nutdriver\*
- (1) Flat Blade Screwdriver
- \*Or one 6" Adjustable Wrench.

### UNPACKING

1. Remove the lawn mower from the carton by opening the top flaps and lifting the unit out. Be careful of the staples. Make certain all parts and literature have been removed from the carton before the carton is discarded.
2. Disconnect and ground the spark plug wire against the engine. Check beneath the deck for any cardboard packaging. Remove if present.
3. Stretch out all control cables and place on the floor. Be careful not to bend or kink the cables at any time during assembly.
4. Remove page four from this manual and lay the contents of the hardware pack on the illustration for identification.

### ATTACHING THE LOWER HANDLE (Hardware A)

1. Attach the lower handle by placing the bottom holes in the lower handle over the weld pins on the handle mounting brackets on the rear of the deck. Make certain the instruction label on the lower handle can be read from the operating position.
2. Using a pair of pliers, squeeze one leg of the lower handle against the handle mounting bracket. Insert the hairpin clip into the **inner hole** on the weld pin. See figure 1. Repeat on other side.

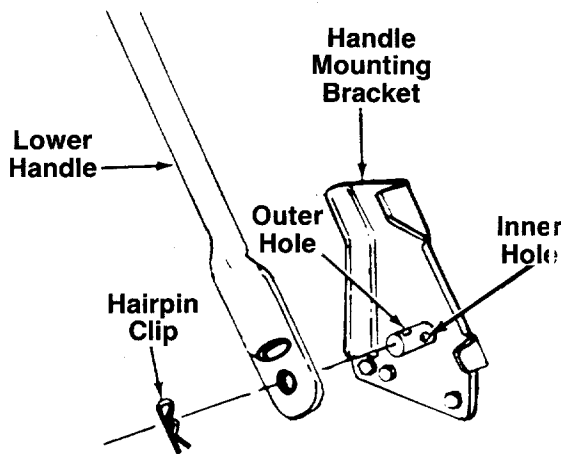


FIGURE 1.

### ➔ NOTE

There are two (2) holes in the handle mounting brackets. Place the hairpin clip in the inner hole for operation. Outer hole is for storage.

### ATTACHING THE UPPER HANDLE (Hardware B)

1. Place the upper handle in position over the lower handle. **The label on the throttle control housing and the control lever must be facing up.**

### ➔ NOTE

The right hand side of the handle will be secured with the rope guide bolt. However, left handed operators may assemble the rope guide bolt to the left side of the handle for easier starting by following steps 2 and 3 and reversing the left and right hand instructions.

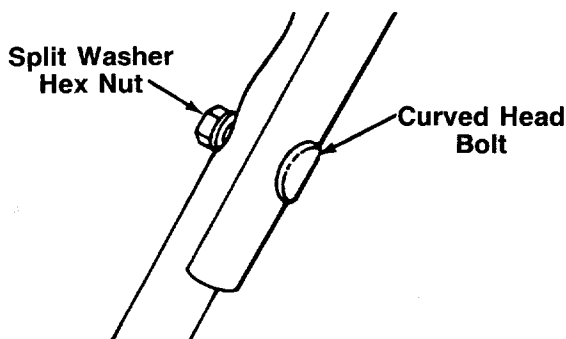


FIGURE 2.

- ➔ 2. Secure the left hand side of upper handle using the curved head bolt, split washer and hex nut as shown in figure 2.

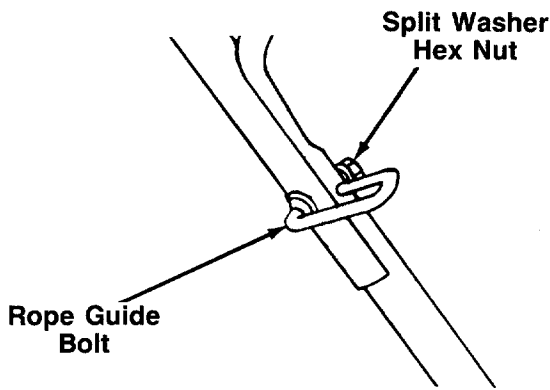


FIGURE 3.

3. Insert the rope guide bolt through the right hand side of upper and lower handle. See figure 3. Secure with split washer and hex nut, finger tight only.

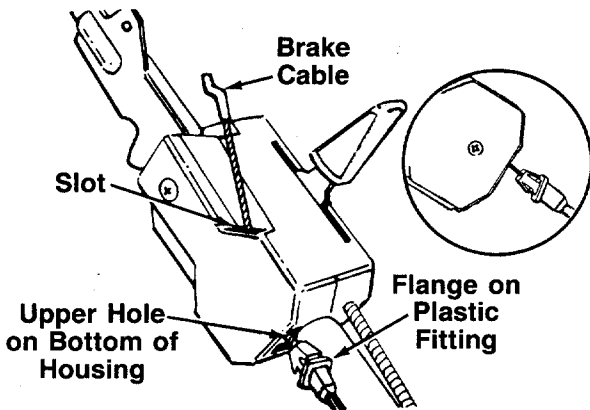


FIGURE 4.

### ATTACHING THE BRAKE CABLE

1. The brake cable is attached to the engine, and has a "Z" fitting on the loose end. Route the brake cable below the lower handle. Place end of cable into the upper hole on the bottom of the control housing, and through the slot as shown. The angle of the plastic flange must be positioned downward as shown in figure 4. Be careful not to bend or kink the cable at any time.
2. Push the plastic fitting until it locks into the control housing.



**WARNING**

Brake cable must be assembled as shown for proper blade brake operation.

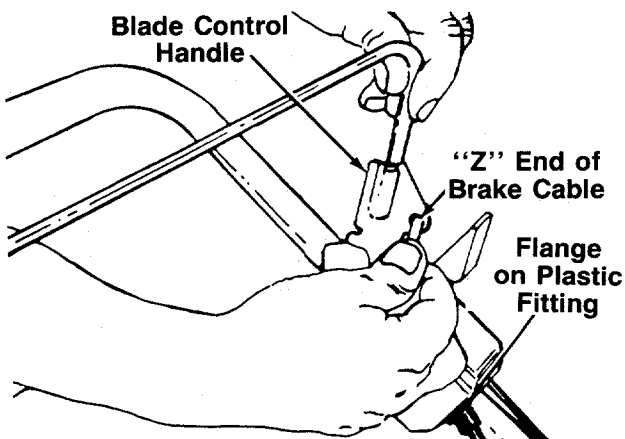


FIGURE 5.

3. Hook the "Z" end of the brake cable into the hole in the blade control handle from the inside to the outside as shown in figure 5.

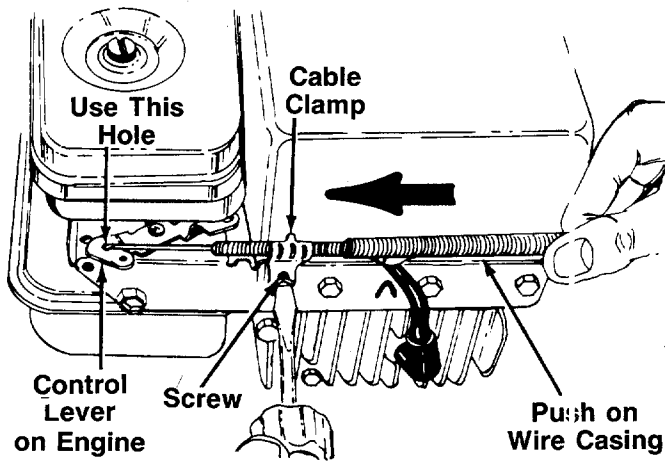


FIGURE 6A.—Models 442R & 452R

### ATTACHING THE THROTTLE CABLE

#### Models 442R and 452R Only:

1. Place the throttle control lever on the handle in **FAST** position.
2. The throttle control cable is attached to the upper handle. Route the throttle control cable under the lower handle and inside the handle mounting bracket. Hook the "Z" end of the throttle control cable into the arm on the control lever on the engine which has two holes, using the **outside** hole as shown in figure 6A.
3. Remove the screw on the cable clamp on the engine shown in figure 6A. Slip the control casing under the clamp. Replace the screw, but do not tighten (cable must still move freely beneath the clamp).
4. Slide the control lever on the engine as far toward the **outside** of the engine as it will go. Push the wire casing on the throttle control cable toward the control lever on the engine as shown in figure 6A as you tighten the screw on the cable clamp to secure the cable in this position.
5. Loosen the screw on the clamp on the side of the engine. Secure the cable **away from the muffler**. Be careful not to bend or kink the cable. Tighten the screw.

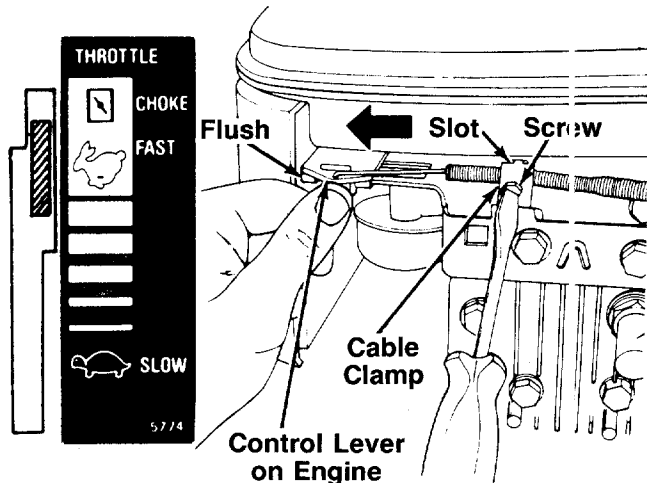


FIGURE 6B.—Model 459R

### ATTACHING THE THROTTLE CABLE

#### Models 456R and 459R Only:

1. Push the throttle control lever on the handle all the way forward to **CHOKE**, then back it off **two "clicks"** (approximately 5/16"). See figure 6B.
2. The throttle control cable is attached to the upper handle. Route the throttle control cable under the lower handle and inside the handle mounting bracket. Hook the "Z" end of the throttle control cable into the hole in the control lever on the engine. See figure 6B.
3. Using a 5/16" wrench or nutdriver, remove the screw on the cable clamp shown in figure 6B. Slip the control cable under the clamp. Replace the screw (cable should be above the screw), but do not tighten (cable must still move freely beneath the clamp). Make certain the tab on the cable clamp is seated into the slot on the engine.
4. Push the control lever on the engine as far toward the **outside** of the engine as it will go. The edge of the control lever should be flush with the bracket on the engine. See figure 6B. Hold the control lever in this position as you tighten the screw on the cable clamp to secure the throttle cable.
5. Loosen the screw on the clamp on the side of the engine. Slip the cable casing under the clamp to secure the cable **away from the muffler**. Be careful not to bend or kink the cable. Tighten the screw.



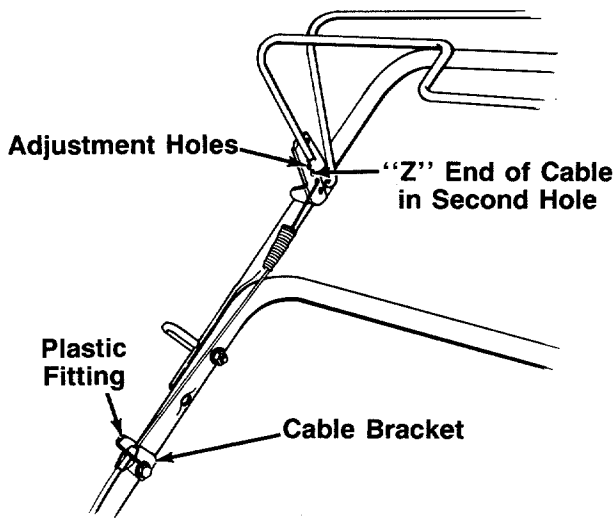


FIGURE 7.

### ATTACHING THE DRIVE CLUTCH CONTROL CABLE

1. The drive clutch control cable is attached to the drive cover, and has a spring on one end. Route the clutch cable inside the handle mount bracket and above the lower handle. Hook the spring on the end of the cable into the **second hole from the bottom** on the drive clutch control handle. See figure 7.
2. Pull down on the plastic cable casing, and slip the control wire through the slot in the cable bracket. Push the plastic fitting on the end of the cable casing into the cable bracket.

#### NOTE

If necessary, push down on the drive cover (attached to the deck) to obtain slack in the cable.



#### WARNING

Drive clutch adjustment must be checked before the unit is operated, as instructed on page 15.

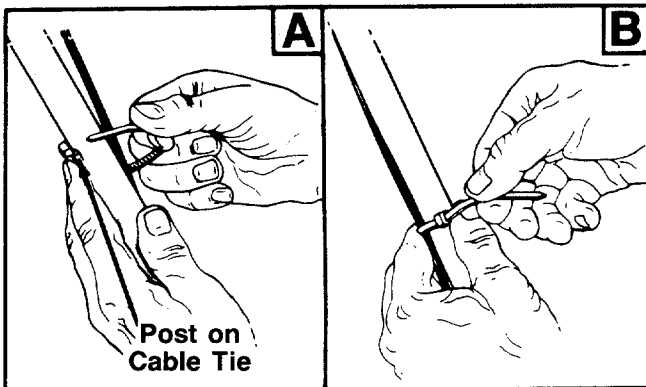


FIGURE 8.

### SECURING THE CABLES (Hardware C)

Secure all cables to the left side of the handle as follows.

- A. Insert posts on cable ties into holes provided on the lower handle. The holes may be either on the inside or outside of the handles. See figure 8A.
- B. Secure the cables with the cable ties. See figure 8B.
- C. Trim excess ends of cable ties.

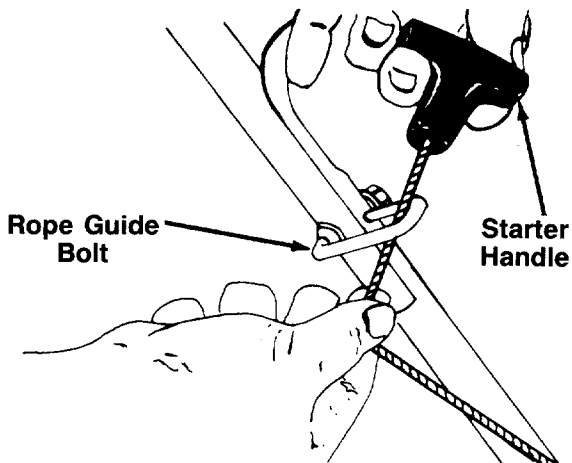


FIGURE 9.

### ATTACHING THE STARTER ROPE

1. The starter rope is protruding from the top of the engine. Additional rope may be wound around the starter handle. If so, unwind the rope from the handle.
2. With the spark plug wire disconnected and grounded, depress the blade control handle and pull the rope out of the engine.
3. Slip the starter rope into the rope guide bolt as shown in figure 9.
4. Tighten the hex nut on the rope guide bolt securely.

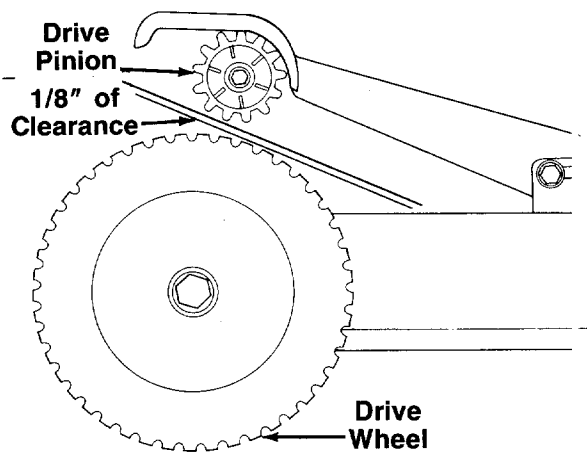


FIGURE 10.

**CHECKING THE DRIVE CLUTCH ADJUSTMENT**

Check the adjustment of the clutch cable. Correct adjustment is as follows.

The drive pinions should be approximately 1/8" from the drive wheels when the clutch is disengaged (clutch control handle is not squeezed against upper handle).

← See figure 10.

When the clutch control is engaged, the drive pinions should mesh with the gear tread tires.

If adjustment is needed, refer to adjustment section of this manual.

**FINAL ASSEMBLY OF MOWER**

1. Attach hub caps (optional) to the wheels by lining up the tabs on the hub caps with the holes in the wheels. Push to lock in position.
2. Make certain all nuts and bolts are tightened securely.

**ASSEMBLY OF GRASS CATCHER (Hardware D)**

There are two different types of grass catchers, those with soft grass bags and those with hardtop grass bags. Follow the instructions which pertain to your unit.

**Model 442R (Soft Grass Bag):**

1. Place the end of the rear frame inside the grass catcher bag. See figure 11A.
2. Insert one end of the frame into the cloth channel inside the grass catcher bag. Feed all the material on one side of the frame before working it around the frame.

NO CHANNEL  
FREE HANGING

When this step is completed, both ends of the frame should be inside the bag. See figure 11B.

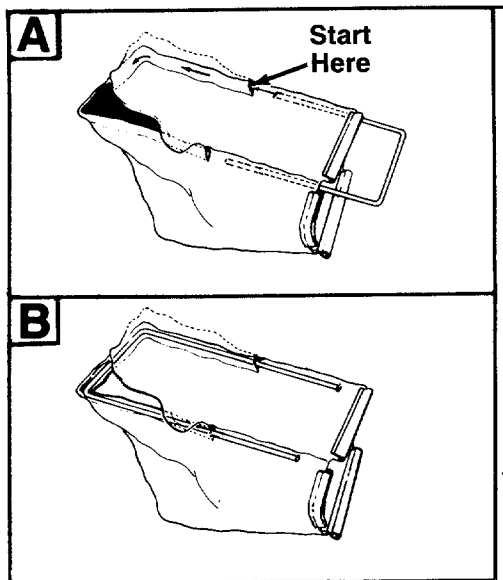
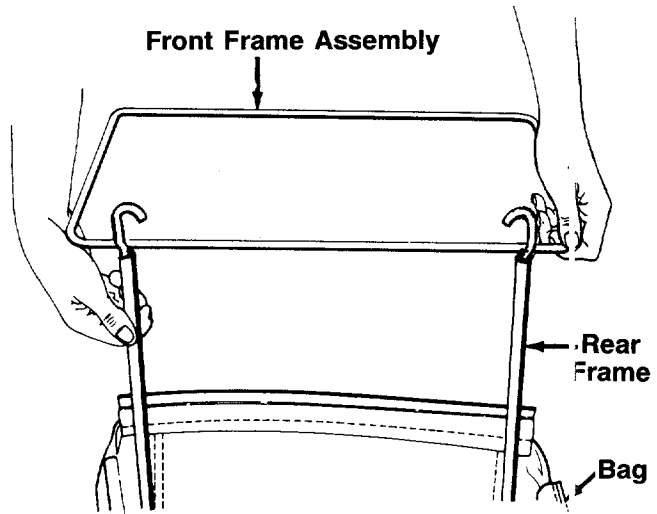


FIGURE 11.



3. Join the rear frame and front frame assembly as shown in figure 12.

FIGURE 12.

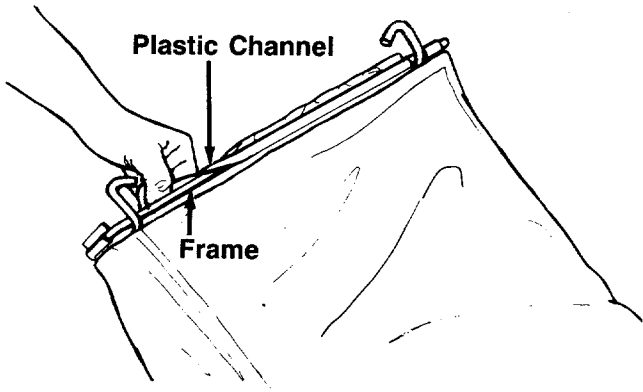


FIGURE 13.

4. Secure front of bag to frame by working the plastic channels on bag over frame. See figure 13.
5. Close the top of the bag by stretching the loose material over the end of the frame.



**WARNING**

Never operate the mower with the bag open.

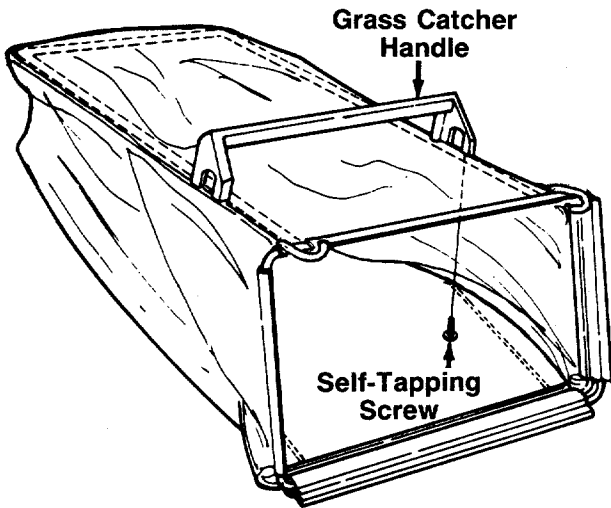


FIGURE 14.

6. Place the grass catcher handle in position on top of the grass bag and frame as shown in figure 14. Secure with four self-tapping screws.

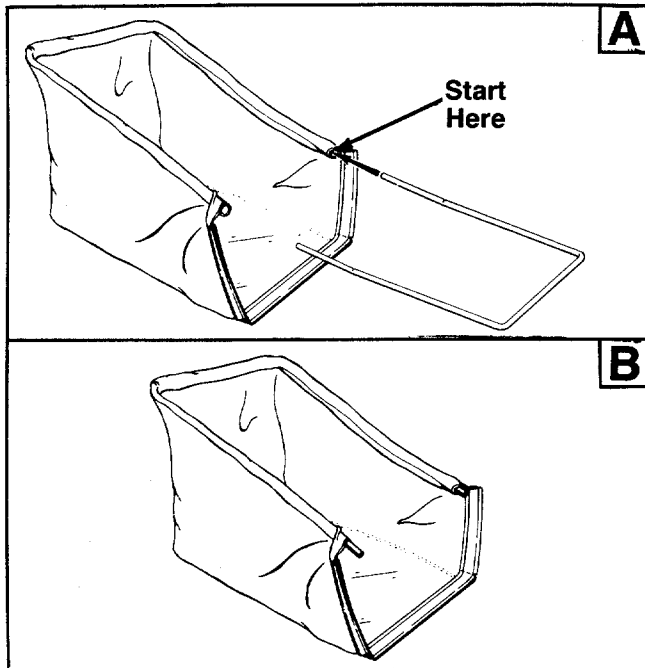


FIGURE 15.

**Models 452R, 456R and 459R (Hardtop Grass Bags):**

1. Insert one end of the rear frame into the cloth channel on the edge of the grass catcher bag. Feed all the material on one side of the frame before working it around the frame. See figure 15.

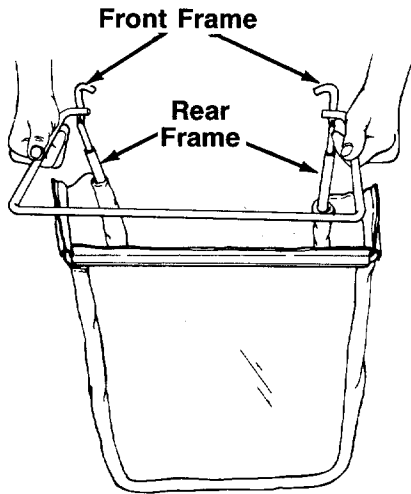


FIGURE 16.

2. Slide the ends of the front frame assembly into the ends of the rear frame as shown in figure 16.

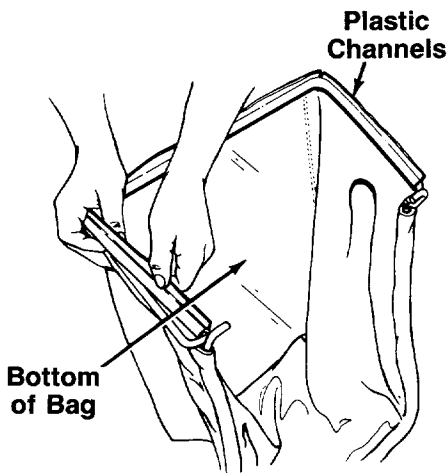


FIGURE 17.

3. Secure front of bag to front frame by slipping plastic channels on sides and bottom of bag over frame. See figure 17.

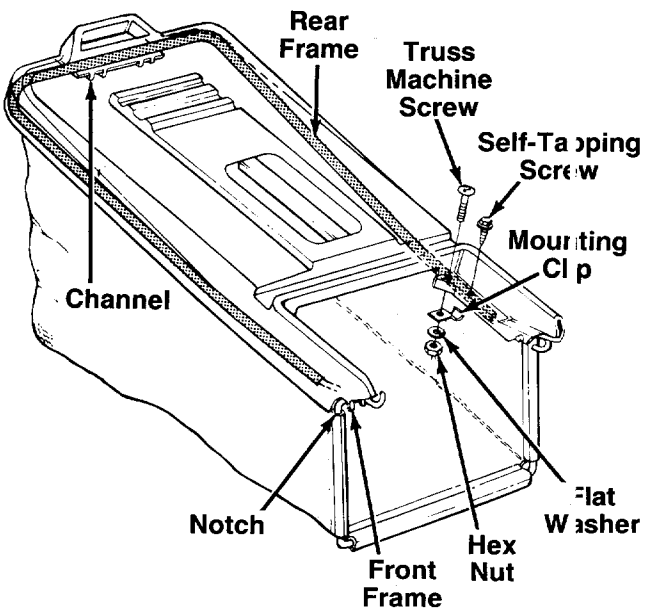


FIGURE 18.

4. Attach the hardtop cover to the grass catcher as follows. See figure 18.
- Place the cover in position on top of the grass catcher. Press the rear frame into the channel on the rear of the cover (beneath the rear handle).
  - Slide the notches on the sides of the cover over the front catcher frame.
  - Place truss machine screw down through hole in cover. Place mounting clip over truss machine screw, with the cupped part of the mounting clip beneath the frame of the grass catcher. Secure with flat washer and hex nut. Repeat on other side of grass catcher.
  - Attach cover to frame using self-tapping screws as shown in figure 18.

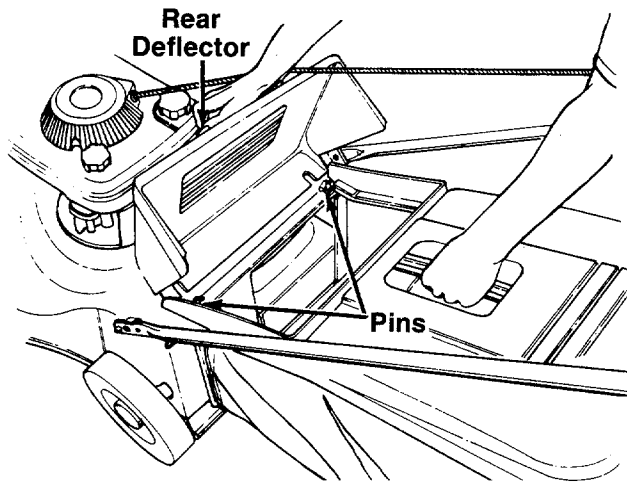


FIGURE 19.

### ATTACHING BAG TO MOWER

Lift the rear deflector on the mower. Place the hooks on the grass catcher over the pins on the back of the mower. See figure 19. Release the rear deflector.

To remove the grass catcher, lift the rear deflector on the mower. Lift the grass catcher up, over the pins on the back of the mower. Release the rear deflector.

## CONTROLS

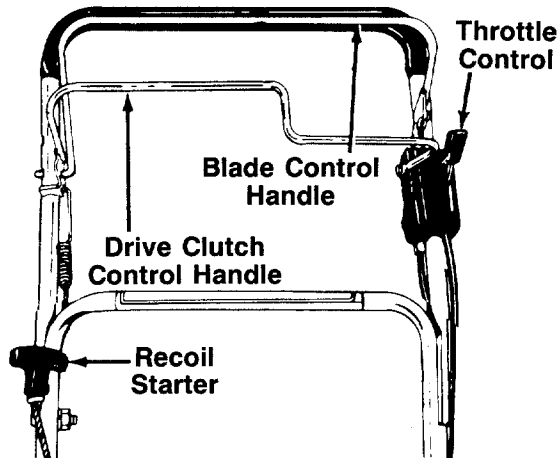


FIGURE 20.

### BLADE CONTROL HANDLE

**WARNING**  
THIS CONTROL MECHANISM IS A SAFETY DEVICE NEVER ATTEMPT TO BYPASS ITS OPERATIONS

The blade control handle is located on the upper handle of the mower. See figure 20. The blade control handle must be depressed in order to operate the unit. Release the blade control handle to stop the engine and blade.



The blade will be rotating whenever the engine is running.

### RECOIL STARTER

The recoil starter handle is attached to the handle. See figure 20. Stand behind the unit in the operating position to start the unit.

### THROTTLE CONTROL

The throttle control is located on the left side of the upper handle. It is used to regulate the engine speed.



The throttle control cannot be used to stop the engine.

### DRIVE CLUTCH CONTROL

Squeezing the drive clutch control engages the drive mechanism to the rear wheels. Releasing the clutch control stops the rear wheels from driving. Release the drive clutch control to slow down when negotiating an obstacle, making a turn or stopping. See figure 20.

## OPERATION



FIGURE 21.

Keep hands and feet away from the chute area on cutting deck. See figure 21.

**NOTE**

For shipping purposes your mower is set with the wheels in a low cutting height position. For best results raise the cutting position until it is determined which height is best for your lawn. See cutting height adjustment section.

**GAS AND OIL FILL-UP**

Service the engine with gasoline and oil as instructed in the separate engine manual. Read instructions carefully.



Never fill fuel tank indoors, with engine running or until the engine has been allowed to cool for at least two minutes after running.

**BEFORE STARTING**

1. Attach spark plug wire to spark plug. Make certain the metal loop on the end of the spark plug wire (inside the rubber boot) is fastened securely over the metal tip on the spark plug. See figure 22.

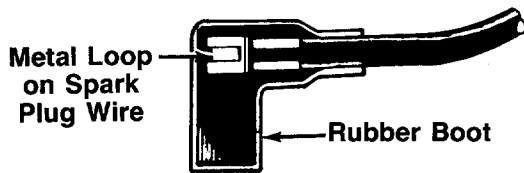


FIGURE 22.

2. Before each use, check drive clutch adjustment. When the clutch handle is engaged, the drive pinions should mesh simultaneously with the gear tread tires. When the clutch handle is released, the pinions should clear the wheels by approximately 1/8". See drive clutch adjustment on page 15 for further details.

**TO START ENGINE AND ENGAGE BLADE**



When starting the unit for the first time, face the mower against a solid object such as a wall, fence, etc. Start the unit, and if it shows any signs of motion with the drive clutch control disengaged, shut the engine off immediately. Refer to page 15 for further instructions on the drive clutch adjustment.

1. Move the throttle control lever to FAST or START position.
2. Standing behind the unit, depress the blade control handle and hold it against the upper handle.
3. Grasp the recoil starter handle and pull back rapidly, extending rope fully. Return it slowly to the rope guide bolt.
4. After engine starts, move throttle control lever to desired engine speed.

**TO STOP ENGINE AND BLADE**

1. Release the blade control handle to stop the engine and blade.



The blade continues to rotate for a few seconds after the engine is shut off.

2. Disconnect the spark plug wire and ground it against the engine to prevent accidental starting while equipment is unattended.

**NOTE**

If any problems are encountered, refer to the Trouble Shooting Chart on page 22.

**USING YOUR ROTARY MOWER**



Never operate your unit without either the rear deflector or entire grass catcher assembly in place.

Be sure that lawn is clear of stones, sticks, wire, or other objects which could damage lawn mower or engine. Such objects could be accidentally thrown by the mower in any direction and cause serious personal injury to the operator and others.

Operate a new engine at intermediate speeds and light load for the first few hours as you would a new automotive engine.

For best results, do not cut wet grass because it tends to stick to the underside of the mower, preventing proper discharge of grass clippings, and could cause you to slip and fall. New grass, thick grass or wet grass may require a narrower cut. Blade speed should be adjusted to the condition of the lawn.

For best results, cut off one-third or less of the total length of the grass. Lawn should be cut in the fall as long as there is growth.

This mower is designed to be operated at full throttle to give you the best cut and do the most effective job of bagging the cut grass.

**➔ IMPORTANT**

If you strike a foreign object, stop the engine. Remove wire from spark plug, thoroughly inspect the mower for any damage, and repair the damage before restarting and operating the mower. Extensive vibration of the mower during operation is an indication of damage. The unit should be promptly inspected and repaired.

## ADJUSTMENTS



**WARNING**

Do not at any time make any adjustment to lawn mower without first stopping engine and disconnecting spark plug wire.

### CUTTING HEIGHT ADJUSTMENT

An adjusting plate and thumb lever at each wheel position provides cutting height adjustment. Each adjusting plate has nine positions. Height of cut will be changed when the thumb lever is moved from one hole to another. Simply depress the lever towards wheel and move wheel and lever assembly to desired position. See figure 23.

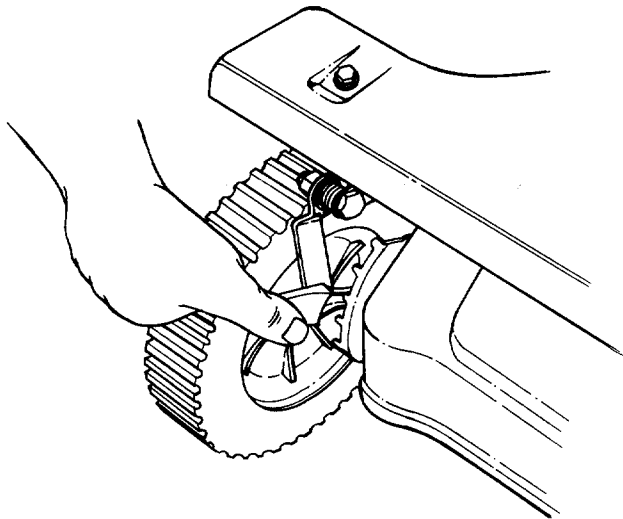


FIGURE 23.

### DRIVE CLUTCH ADJUSTMENT

The drive pinions should be approximately 1/16" from the drive wheels when the clutch is disengaged (clutch handle is released). Refer to figure 10.

If there is not 1/16" of clearance, unhook the cable from the clutch handle and move it to the next higher adjustment hole provided. Refer to figure 7. Check to be certain there is 1/16" of clearance when the clutch is disengaged, and the drive pinions mesh with the wheels with the drive clutch engaged.

### CHAIN ADJUSTMENT

Check for correct chain adjustment and alignment after first five to ten hours of operation. Adjust as follows:

1. Loosen (do not remove) the hex bolt on each side of the pinion pivot plate. See figure 24.

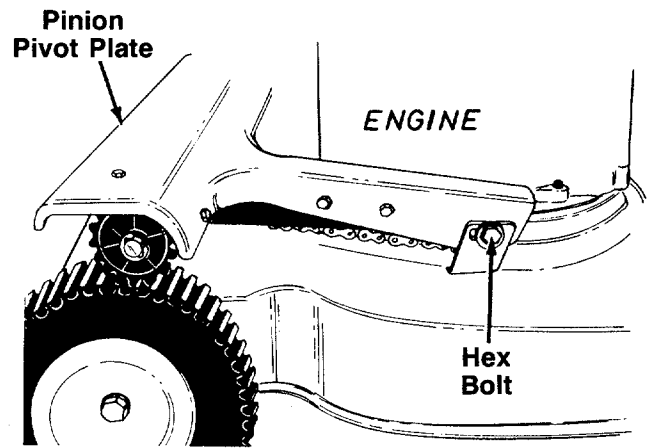


FIGURE 24.

2. Pull on the left side of the pivot plate, by hand, until the proper chain tension is achieved. Tighten the hex bolt.
3. Pull on the right side of the pivot plate until the clearance between the pinion and wheel is equal on both sides. Tighten the hex bolt.
4. Recheck for correct adjustment periodically.

### THROTTLE

The throttle control wire assembly can be adjusted if necessary. Loosen the screw on the cable clamp shown in figure 6. Adjust as instructed in steps 1 and 4 of "Attaching the Throttle Control Cable" in Assembly Instructions.

### CARBURETOR ADJUSTMENTS



**WARNING**

If any adjustments are made to the engine while the engine is running (e.g. carburetor), keep clear of all moving parts. Be careful of heated surfaces and muffler.

Minor carburetor adjustments may be required to compensate for differences in fuel, temperature, altitude and load. To adjust carburetor, refer to the separate engine manual.

 **NOTE**

A dirty air cleaner will cause an engine to run rough. Be certain air cleaner is clean and attached to the carburetor before adjusting carburetor.

## LUBRICATION



Always stop engine and disconnect spark plug wire before cleaning, lubricating or doing any kind of work on lawn mower.

**Blade Control**—Lubricate the pivot points on the blade control handle and the brake cable at least once a season with light oil. The blade control must operate freely in both directions.

**Discharge Chute Door Mechanism**—The torsion spring and pivot point should be lubricated periodically with light oil to prevent any rust or binding. Door must work freely.

**Wheels**—The mower may be provided with ball bearing wheels. Lubricate at least once a season with light oil. In addition, if the wheels are removed for any reason, lubricate the surface of the axle bolt and the inner surface of the wheel with light oil. A 4 oz. plastic bottle of light oil lubricant is available. Order part number 737-0170. Engine oil may also be used.

**Throttle**—Periodically lubricate throttle control lever and throttle wire assembly with a few drops of light oil for ease of operation.

**Chain**—The chain should be lubricated periodically with a few drops of light oil to prevent any rust or binding. Use very little or no oil if unit is being used in a dusty or sandy area.

## MAINTENANCE



Be sure to disconnect and ground the spark plug wire before performing any repairs or maintenance.

 **NOTE**

When tipping the unit, empty the fuel tank and keep engine spark plug side up.

### TROUBLE SHOOTING

Refer to page 22 of this manual for trouble shooting information.

### CUTTING BLADE

When removing the cutting blade for sharpening or replacement, protect hands by using heavy gloves or a rag to grasp the cutting blade. Remove the bolt and blade bell washer which hold the blade and adapter to the engine crankshaft. Remove the blade and adapter from the crankshaft.



**CAUTION**

Periodically inspect the blade adapter for cracks, especially if you strike a foreign object. Replace when necessary.

When sharpening the blade, follow the original angle of grind as a guide. It is **extremely important** that each cutting edge receives an equal amount of grinding to prevent an unbalanced blade. An unbalanced blade will cause excessive vibration when rotating at high speeds, may cause damage to the mower and could break, causing personal injury.

The blade can be tested by balancing it on a round shaft screwdriver. Remove metal from the heavy side until it balances evenly.

Before reassembling the blade and the blade adapter to the unit, lubricate the engine crankshaft, the inner surface of the blade adapter and the center bolt with light oil. A 4 oz. plastic bottle of light oil lubricant is available. Order part number 737-0170. Engine oil may also be used.

When replacing the blade, be sure to install the blade with the side of the blade marked "Bottom" (or with part number) facing the ground when the mower is in the operating position.

### Blade Mounting Torque

Center Bolt: 375 in. lb. min., 450 in. lb. max. If lacking torque wrench, tighten until the blade bell washer is flattened.

To insure safe operation of your unit, **all** nuts and bolts must be checked periodically for correct tightness.

### DECK

The underside of mower deck should be cleaned after each period of use as grass clippings, leaves, dirt and other matter will accumulate. This accumulation of grass clippings, etc., is undesirable as it will invite rust and corrosion and may cause an uneven discharge of grass clippings at the next cutting.



The deck may be cleaned by tilting the mower and scraping clean with a suitable tool or by washing with a stream of water from a garden hose.

**NOTE**

Do not direct the stream of water at a hot engine as damage to the engine may result.

## ENGINE

**Refer to the separate engine manual for all engine maintenance instructions.**

Maintain **engine oil** as instructed in the separate engine manual packed with your unit. Read and follow instructions carefully.

Service **air cleaner** every 25 hours under normal conditions. Clean every few hours under extremely dusty conditions. Poor engine performance and flooding usually indicates that the air cleaner should be serviced. To service the air cleaner, refer to the separate engine manual packed with your unit.

The **spark plug** should be cleaned and the gap reset once a season. Spark plug replacement is recommended at the start of each mowing season; check engine manual for correct plug type and gap specifications.

**Clean the engine** regularly with a cloth or brush. Keep the cooling system (blower housing area) clean to permit proper air circulation which is essential to engine performance and life. Be certain to remove all grass, dirt and combustible debris from muffler area.

## OFF-SEASON STORAGE

The following steps should be taken to prepare lawn mower for storage.

1. Clean and lubricate mower thoroughly as described in the lubrication instructions.

2. Refer to engine manual for correct engine storage instructions.
3. Coat mower's cutting blade with chassis grease to prevent rusting.
4. Store mower in a dry, clean area.

**NOTE**

When storing any type of power equipment in an unventilated or metal storage shed, care should be taken to rustproof the equipment. Using a light oil or silicone, coat the equipment, especially cables and all moving parts.

## HANDLE STORAGE

The handle may be placed in an upright position for storage. Move hairpin clips to outer hole on weld pins. See figure 1. Press inward on the bottom of the lower handle and push forward. The handle will lock in this position.

To place the handle in the operating position, remove the starter rope from the rope guide bolt. Grasp the lower handle at the bottom, press inward slightly and tip the handle backward. Place the hairpin clips in the inner holes. With the spark plug wire disconnected and grounded, depress the blade control handle and pull the starter rope out from the engine. Slip the starter rope into the rope guide bolt.

**NOTE**

The use of any accessory on this Rotary Mower other than those manufactured by the mower manufacturer is **not** recommended.



**WARNING**

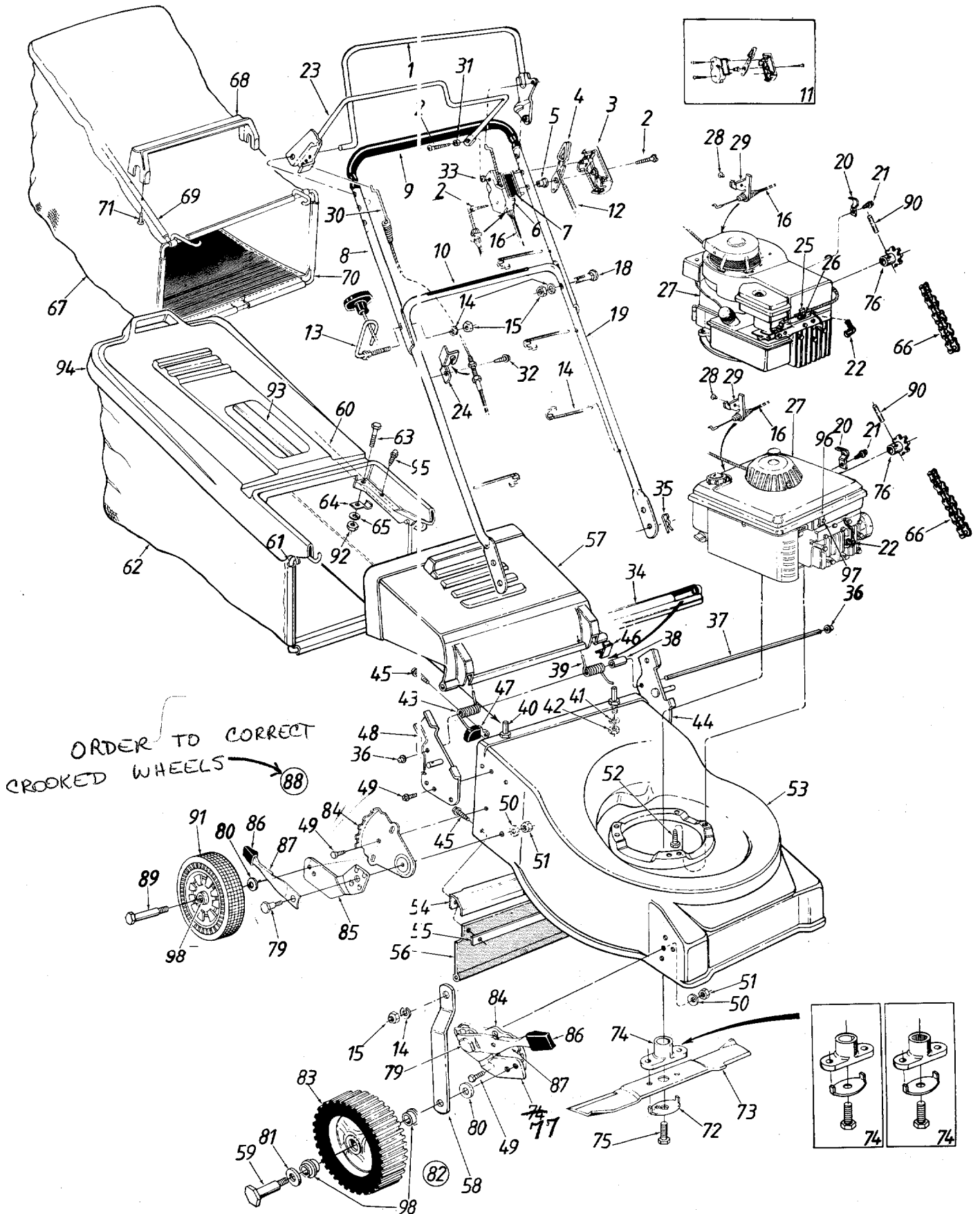
1. DO NOT operate the mower without the entire grass catcher or chute deflector in place.
2. DO NOT operate the mower without the protective shield on the rear of the deck in place.

**NOTE**

Under normal usage bag material is subject to wear and should be checked periodically. Be sure any replacement bag complies with the mower manufacturer's recommendations.

For replacement bags, use only factory authorized replacement bag.

# Models 442R, 452R, 456R and 459R



# Models 442R, 452R, 456R and 459R

## PARTS LIST FOR MODELS 442R, 452R, 456R AND 459R ROTARY MOWERS

REF. NO.	PART NO.	COLOR CODE	DESCRIPTION	NEW PART	REF. NO.	PART NO.	COLOR CODE	DESCRIPTION	NEW PART
1	14321		Control Handle Ass'y.		52	710-0654		Hex L-Wash. Hd. Scr.	
2	710-0796		Truss Mach. B-Tap Scr. #12 x 1.5" Lg.		53	16998	638	21" Deck Ass'y.	N
3	731-0817		Control Panel Half		54	17014		Chute Baffle	N
4	731-0528		Throttle Control Lever		55	17003		Retaining Strip 14.25" Lg.	N
5	731-0524		Control Disc Pin		56	731-0669		Rear Flap 17.30" Lg.	N
6	731-0816		Clutch Panel Half		57	731-0859		Rear Chute Deflector	N
7	777-5774		Control Label—Throttle		58	16532		Link 5.06" Lg. <i>5.185 NEW LENGTH</i>	
8	749-0436		Upper Handle		59	738-0144		Front Axle Bolt	
9	718-0145		Grip (Optional)		60	749-0736		Rear Catcher Frame††	N
10	777-5776		Instruction Label—Handle		61	747-0693		Front Catcher Frame††	N
11	753-0430		Control Housing Comp.		62	764-0252		Grass Bag††	N
12	746-0672		Throttle Wire—58" Lg.	N	63	710-0166		Truss Mach. Scr. 1/4-20 x 1" Lg.††	
13	710-0842		Rope Guide Bolt		64	12894		Hardtop Mtg. Clamp††	
14	736-0119		L-Wash. 5/16" I.D.*		65	736-0463		FI-Wash. .281" I.D.††	
15	712-0267		Hex Nut 5/16-18 Thd.*		66	713-0311		#48 Chain 1/2" Pitch 50 Links (Endless)	
16	746-0477		Control Cable—43" Lg.		67	764-0246		Grass Bag†	N
17	726-0240		Cable Tie		68	731-0801		Bag Handle†	
18	710-0671		Curved Carriage Bolt 5/16-18 x 1.38" Lg.		69	749-0764		Rear Catcher Frame†	N
19	749-0505		Lower Handle		70	747-0700		Front Catcher Frame†	N
20	12894		Cable Clamp		71	710-1025		Hex AB-Tap Scr. #12 x 1.25"†	N
21	710-0429		Hex B-Tap Scr. #10 x .38" Lg.		72	736-0415		Blade Bell-Wash. .44" I.D. x 2.38"	N
22	735-0639		Spark Plug Boot		73	742-0306		21" Blade	
23	16391		S.P. Bail Ass'y.		74	753-0462		Blade Adapter Kit (442R, 452R, 459R) <sup>456</sup>	N
24	16309A		Cable Mounting Brkt.						
25	751-0369		Cable Clamp (442R, 452R)						
26	710-0227		Hex AB-Tap Scr. #8 x .5" Lg. (442R, 452R)		75	<del>753-0462</del> 710-0459		<del>Blade Adapter Kit (456R)</del> Hex Bolt 3/8-24 x 1.5" Lg. (442R, 452R, 459R)	
27	—		Engine						
28	728-0171		Pop Rivet .156" Dia.			710-0757		Hex Bolt 7/16-20 x 1.5" Lg. (456R)	
29	14924		Cable Bracket						
30	746-0627		Drive Cable—47" Lg.		76	713-0308		10 Tooth Sprocket Ass'y.	
31	750-0649		Spacer .23" I.D.		77	14766 <i>LH</i>		Pivot Bar	
32	710-0726		Hex Wash. AB-Tap Scr. 5/16" x .75" Lg.		79	738-0507		Shld. Bolt .50" Dia. x .357"	
33	736-0370		Spr. Wash. .206" I.D.		80	736-0105		Bell-Wash. .38" I.D. x .88" O.D.	
34	731-0858		Seal—Extrusion	N	81	736-0192		FI-Wash. .531" I.D.	
35	714-0104		Int. Cotter Pin 5/16" Dia.		82	16107		Front Height Adj. Ass'y. Comp.—R.H.	
36	726-0106		Cap Speed Nut			16106		Front Height Adj. Ass'y. Comp.—L.H. (Not Shown)	
37	747-0698		Hinge Pin 17.75" Lg.	N				Front Wheel Ass'y. Comp.	
38	750-0566		Spacer .255" I.D.		83	734-0538		Index Plate	
39	732-0577		Torsion Spring—L.H.	N	84	14764		Pivot Bar <i>RH</i>	
40	711-0805		Shld. Pin 3/8-24 x 1.43" Lg.	N	85	14765		Spring Lever Knob	
41	736-0169		L-Wash. 3/8" I.D.*		86	720-0190		Spring Lever	
42	712-0711		Hex Jam Nut 3/8-24 Thd.		87	732-0417		Rear Height Adj. Ass'y. Comp.—R.H.	
43	732-0578		Torsion Spring—R.H.		88	16106		Rear Height Adj. Ass'y. Comp.—L.H. (Not Shown)	
44	12297		Handle Brkt. Ass'y.—L.H.					Rear Axle Bolt	
45	710-1017		Torx Mach. AB-Tap Scr. 1/4 x .62" Lg.	N		16107		Spring Pin 3/16" Dia.	
46	731-0970		Deflector Plug	N	89	738-0102		Rear Wheel Ass'y. Comp.	
47	731-0931		Corner Plug	N	90	715-0247		Hex Nut 1/4-20 Thd.††	
48	12296		Handle Brkt. Ass'y.—R.H.		91	734-0894		Hardtop Handle††	
49	710-0892		Hex L-Wash. AB-Tap Scr. 1/4 x .62" Lg.		92	712-0287		Hardtop Bag Cover††	N
50	736-0356		Bell-Wash. .39" I.D. x 1.38" O.D.		93	731-0856			N
51	712-0798		Hex Nut 3/8-16 Thd.*		94	731-0857			N

# Models 442R, 452R, 456R and 459R

## PARTS LIST FOR MODELS 442R, 452R, 456R AND 459R ROTARY MOWERS (CONTINUED)


REF. NO.	PART NO.	COLOR CODE	DESCRIPTION
95	710-0776		Hex AB-Tap Scr. 1/4 x .62" Lg.††
96	751-0463		Cable Clamp (456R, 459R)
97	710-0436		Hex B-Tap Scr. #10 x .62" Lg. (456R, 459R)
98	741-0262		Flanged Brg. .50" I.D. (2 Req'd.)

†Model 442R Only.

††Models 452R, 456R and 459 Only.

\*For faster service obtain standard nuts, bolts and washers locally. If these items cannot be obtained locally, order by part number and size as shown on parts list.

If color or finish is important when ordering parts, use the appropriate color code shown below [i.e. (part no.)-638 for MTD Red Finish].

 **NOTE**

This instruction manual covers various models, and all specifications shown do not necessarily apply to your model. Specifications subject to change without notice or obligation.

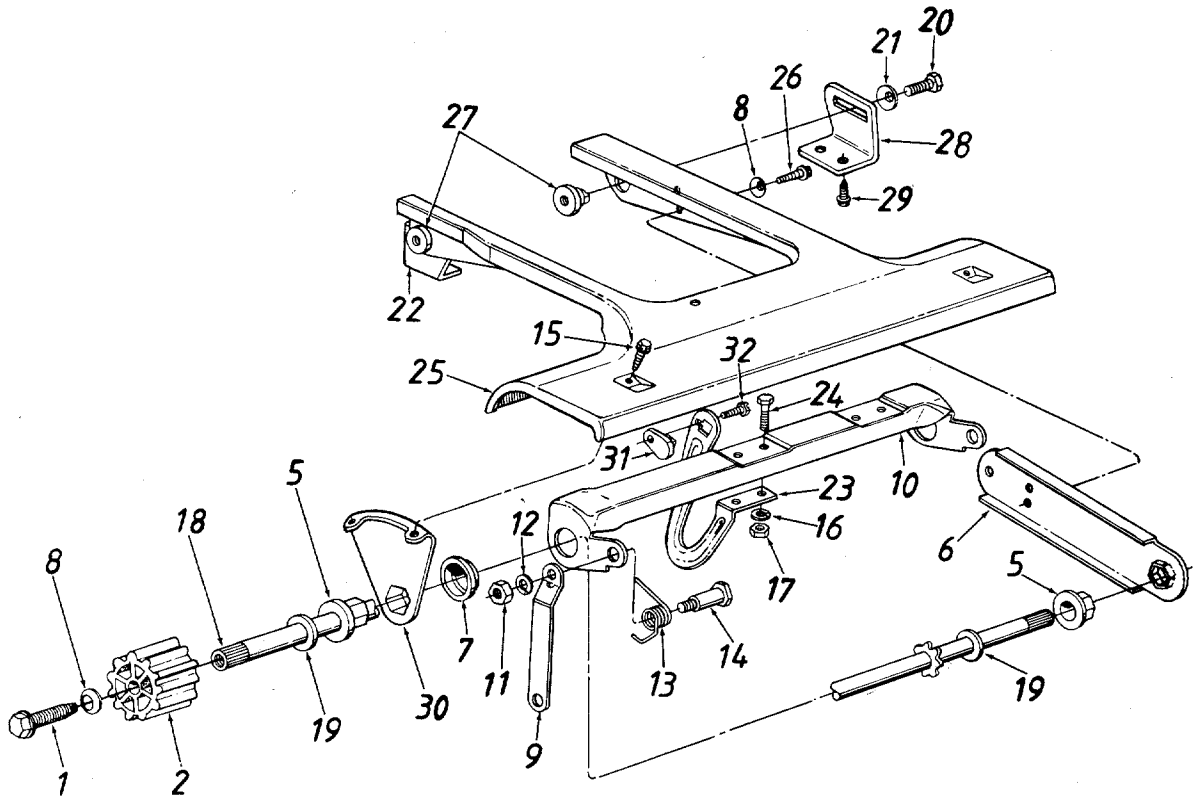
### Color Codes

312—White	480—Brilliant Green
436—Radiant Yellow	483—Charcoal Grey
447—Patina Silver	499—Beige
452—Black	629—Silver Flake
456—Radiant Tangerine	630—Blue
460—Green Flake	638—MTD Red

NOTE: The engine is not under warranty by the mower manufacturer... If repairs or service is needed on the engine, please contact your nearest authorized engine service outlet. Check the "Yellow Pages" of your telephone book under "Engines—Gasoline."



# Models 442R, 452R, 456R and 459R



**PARTS LIST FOR MODELS 442R, 452R, 456R AND 459R ROTARY MOWERS**

REF. NO.	PART NO.	COLOR CODE	DESCRIPTION	NEW PART	REF. NO.	PART NO.	COLOR CODE	DESCRIPTION	NEW PART
1	710-0642		Hex Wash. Hd. Tap Scr. 1/4-20 x .75" Lg.		17	712-0287		Hex Nut 1/4-20 Thd.*	
2	731-0908		Wheel Drive Pinion—Half		18	738-0732		Drive Shaft Ass'y.	
5	741-Q503		Hex Flange Brg. .504" I.D.	N	19	736-0160		Fl-Wash. .531" I.D. x .93" O.D.	
6	17018		Hex Bearing Support		20	710-0759		Hex Bolt 5/16-18 x .62" Lg.*	
7	741-0504		Flange Bearing .879" I.D.	N	21	736-0242		Bell-Wash. .345" I.D. x .88" O.D.	
8	736-0270		Bell-Wash. .265" I.D. x .75" O.D.		22	16531		Pivot Bracket—R.H.	
9	16532		Link 5.06" Lg.		23	17185		Engagement Arm	N
10	16332		Drive Engagement Cam		24	710-0258		Hex Bolt 1/4-20 x .62" Lg.	
11	712-0267		Hex Nut 5/16-18 Thd.*		25	17021	638	Front Pinion Pivot Cover	N
12	736-0119		L-Wash. 5/16" I.D.*		26	710-0352		Hex B-Tap Scr. 1/4" x .38" Lg.	
13	732-0569		Torsion Spring—R.H.	N	27	738-0739		Shoulder Nut	
	732-0570		Torsion Spring—L.H. (Not Shown)	N	28	14759		Pivot Bracket—L.H.	
14	738-0754		Shoulder Bolt .437" Dia.		29	710-0892		Hex Wash. Hd. AB-Tap Scr. 1/4 x .62" Lg.	
15	710-0776		Hex AB-Tap Scr. 1/4" x .62" Lg.		30	17017		Hex Bearing Axle Brkt.	N
16	736-0329		L-Wash. 1/4" I.D.*		31	746-0606		Barrel Cable Hold-Down—R.H.	
					32	710-0919		Hex B-Tap Scr. #10 x .44" Lg.	

# Trouble Shooting Chart

Symptom	Possible Causes	Corrective Action
1 Engine fails to start	<p><b>A</b> Blade control handle disengaged</p> <p><b>B</b> Check fuel tank for fuel</p> <p><b>C</b> Fuel shut-off valve closed (on units so equipped).</p> <p><b>D</b> Spark plug lead wire disconnected.</p> <p><b>E</b> Throttle control lever not in the starting position</p> <p><b>F</b> Faulty spark plug</p> <p><b>G</b> Carburetor improperly adjusted, engine flooded</p> <p><b>H</b> Old stale fuel</p> <p><b>I</b> Engine brake engaged</p>	<p><b>A</b> Engage blade control handle.</p> <p><b>B</b> Fill tank if empty.</p> <p><b>C</b> Open fuel shut-off valve.</p> <p><b>D</b> Connect lead wire.</p> <p><b>E</b> Move throttle lever to start position.</p> <p><b>F</b> Clean, adjust gap or replace.†</p> <p><b>G</b> Remove spark plug, dry the plug, crank engine with plug removed, and throttle in off position. Replace spark plug and lead wire and resume starting procedures.</p> <p><b>H</b> Drain and refill with fresh fuel.</p> <p><b>I</b> Follow starting procedure.</p>
2 Hard starting or loss of power	<p><b>A</b> Spark plug wire loose</p> <p><b>B</b> Carburetor improperly adjusted</p> <p><b>C</b> Dirty air cleaner</p>	<p><b>A</b> Connect and tighten spark plug wire.</p> <p><b>B</b> Adjust carburetor.†</p> <p><b>C</b> Clean air cleaner.†</p>
3 Operation erratic	<p><b>A</b> Dirt in fuel tank</p> <p><b>B</b> Dirty air cleaner</p> <p><b>C</b> Water in fuel supply</p> <p><b>D</b> Vent in gas cap plugged</p> <p><b>E</b> Carburetor improperly adjusted</p>	<p><b>A</b> Remove the dirt and fill tank with fresh fuel.</p> <p><b>B</b> Clean air cleaner.†</p> <p><b>C</b> Drain contaminated fuel and fill tank with fresh fuel.</p> <p><b>D</b> Clear vent or replace gas cap.</p> <p><b>E</b> Adjust carburetor.†</p>
4 Occasional skip (hesitates) at high speed	<p><b>A</b> Carburetor idle speed too slow</p> <p><b>B</b> Spark plug gap too close</p> <p><b>C</b> Carburetor idle mixture adjustment improperly set</p>	<p><b>A</b> Adjust carburetor.†</p> <p><b>B</b> Adjust to .030"</p> <p><b>C</b> Adjust carburetor.†</p>
5 Idles poorly	<p><b>A</b> Spark plug fouled, faulty, or gap too wide</p> <p><b>B</b> Carburetor improperly adjusted</p> <p><b>C</b> Dirty air cleaner</p>	<p><b>A</b> Reset gap to .030" or replace spark plug.</p> <p><b>B</b> Adjust carburetor.†</p> <p><b>C</b> Clean air cleaner.†</p>
6 Engine overheats	<p><b>A</b> Carburetor not adjusted properly</p> <p><b>B</b> Air flow restricted</p> <p><b>C</b> Engine oil level low</p>	<p><b>A</b> Adjust carburetor.†</p> <p><b>B</b> Remove blower housing and clean.†</p> <p><b>C</b> Fill crankcase with the proper oil or fuel mixture.</p>
7 Excessive vibration	<p><b>A</b> Cutting blade loose or unbalanced</p> <p><b>B</b> Bent cutting blade</p>	<p><b>A</b> Tighten blade and adapter. Balance blade.</p> <p><b>B</b> Replace blade.</p>

†Refer to separate engine manual packed with your unit.

**Note:** For repairs beyond the minor adjustments listed above, contact your local authorized service dealer.

# PARTS INFORMATION

## POWER EQUIPMENT PARTS AND SERVICE

Parts and service are available through the authorized service firms listed below. All orders should specify the model number of your unit, part numbers, description of parts and the quantity of each part required.

## BRIGGS AND STRATTON, TECUMSEH AND PEERLESS PARTS AND SERVICE

Briggs & Stratton, Tecumseh and Peerless parts and service should be handled by your nearest authorized engine service firm. Check the yellow pages of your telephone directory under the listing **Engines—Gasoline**, Briggs & Stratton or Tecumseh Lauson.

**NOTE:** If any parts are found to be missing or defective upon assembly of this unit, write to advise the factory so that immediate replacement can be made.

<b>ALABAMA</b>	<b>BIRMINGHAM</b>		<b>NEW YORK</b>	<b>CARTHAGE</b>
Auto Electric & Carburetor Co.	2625 4th Ave. S.	35233	Gamble Dist., Inc.	West End Ave.
<b>ARKANSAS</b>	<b>NORTH LITTLE ROCK</b>		<b>NORTH CAROLINA</b>	<b>GREENSBORO</b>
Sutton's Lawn Mower Shop	5301 Roundtop Drive		Dixie Sales Company	335 N. Green
	Box 368, Rt. 4	72117	<b>OHIO</b>	<b>CARROLL</b>
<b>CALIFORNIA</b>	<b>PORTERVILLE</b>		Stebe's Mid-State Mower Supply	Box 366, 71 High St.
Billious	75 North D Street	93257		<b>CLEVELAND</b>
<b>COLORADO</b>	<b>DENVER</b>		Bleckrie, Inc.	7900 Lorain Ave.
Spitzer Industrial Products Co.	6601 N.			<b>WADSWORTH</b>
	Washington St.	80229	National Central	687 Seville Rd.
<b>FLORIDA</b>	<b>JACKSONVILLE</b>		Burton Supply Co.	1301 Logan Ave.
Radco Distributors	4909 Victor St.			Box 929
	Box 5459	32207	<b>PENNSYLVANIA</b>	<b>HARRISBURG</b>
	<b>HIALEAH</b>		EECO Inc.	4021 N. 6th St.
Small Eng. Dist.	7995 W. 26th Court	33016		<b>WILLOW GROVE</b>
<b>GEORGIA</b>	<b>EAST POINT</b>		Thompson Rubber Co.	850 Davisville Rd.
East Point Cycle & Key Inc.	2834 Church St.	30344		<b>PITTSBURGH</b>
<b>ILLINOIS</b>	<b>LYONS</b>		Bluemont Co.	11101 Frankstown Rd.
Keen Edge Co.	8615 Ogden Ave.	60534		<b>PUNXSUTAWNEY</b>
<b>INDIANA</b>	<b>ELKHART</b>		Frank Roberts & Sons	R.D. 2
Parts & Sales Inc.	2101 Industrial Pkwy.	46516		<b>SCRANTON</b>
<b>IOWA</b>	<b>DUBUQUE</b>		Scranton Auto Ignition Co.	1133-35 Wyoming Ave.
Power Lawn & Garden Equip.	2551 J.F. Kennedy	52001	<b>TENNESSEE</b>	<b>KNOXVILLE</b>
<b>LOUISIANA</b>	<b>NEW ORLEANS</b>		Ace Distributors	2103 Magnolia
Suhren Engine Co.	8330 Earhart Blvd.	70118		<b>MEMPHIS</b>
<b>MARYLAND</b>	<b>TAKOMA PARK</b>		American Sales & Service, Inc.	3035-43 Bellbrook
Center Supply Co.	6867 New Hampshire Ave.	20912	<b>TEXAS</b>	<b>DALLAS</b>
	<b>SPRINGFIELD</b>		Marr Brothers, Inc.	423 E. Jefferson
<b>MASSACHUSETTS</b>	300 Birnie Ave.	01107		<b>SAN ANTONIO</b>
<b>MICHIGAN</b>	<b>MOUNT CLEMENS</b>		Engine House Inc.	8610 Botts Lane
Power Equipment Dist.	340 Hubbard	48043		P.O. Box 17867
<b>MINNESOTA</b>	<b>PLYMOUTH</b>			<b>SALT LAKE CITY</b>
Hance Distributing Inc.	12795 16th Ave. North	55441	<b>UTAH</b>	1661 N. Beck St.
<b>MISSOURI</b>	<b>EARTH CITY</b>		Powered Products	84116
Oscar Wilson Engine & Parts	4159 Shoreline Dr.	63045	<b>VIRGINIA</b>	<b>ASHLAND</b>
	<b>KANSAS CITY</b>		RBI Corp.	101 Cedar Ridge Dr.
Automotive Equip. Service	3117 Holmes St.	64109	<b>WASHINGTON</b>	<b>SEATTLE</b>
<b>NEW JERSEY</b>	<b>ALLOWAY</b>		Equip. Northwest	1410 14th Ave.
Piersons	Canal St., Box 494	08001	<b>WISCONSIN</b>	<b>MILWAUKEE</b>
<b>NEW MEXICO</b>	<b>ALBUQUERQUE</b>		Wisconsin Magneto Inc.	4727 N. Teutonia St.
Spitzer Eng. & Parts Co.	1023 Third Ave. N.W.	87103		53209

## WARRANTY PARTS AND SERVICE POLICY

(0687)

The purpose of warranty is to protect the customer from defects in workmanship and materials, defects which are NOT detected at the time of manufacture. It does not provide for the unlimited and unrestricted replacement of parts. Use and maintenance are the responsibility of the customer. The manufacturer cannot assume responsibility for conditions over which it has no control. Simply put, if it's the manufacturer's fault, it's the manufacturer's responsibility; if it's the customer's fault, it's the customer's responsibility.

### CLAIMS AGAINST THE MANUFACTURER'S WARRANTY INCLUDES:

1. Replacement of Missing Parts on new equipment.
2. Replacement of Defective Parts within the warranty period.
3. Repair of Defects within the warranty period.

All claims MUST be substantiated with the following information:

1. Model Number, Serial Number and/or Data Code of unit involved.
2. Date unit was purchased or first put into service.
3. Date of Failure.
4. Nature of Failure.