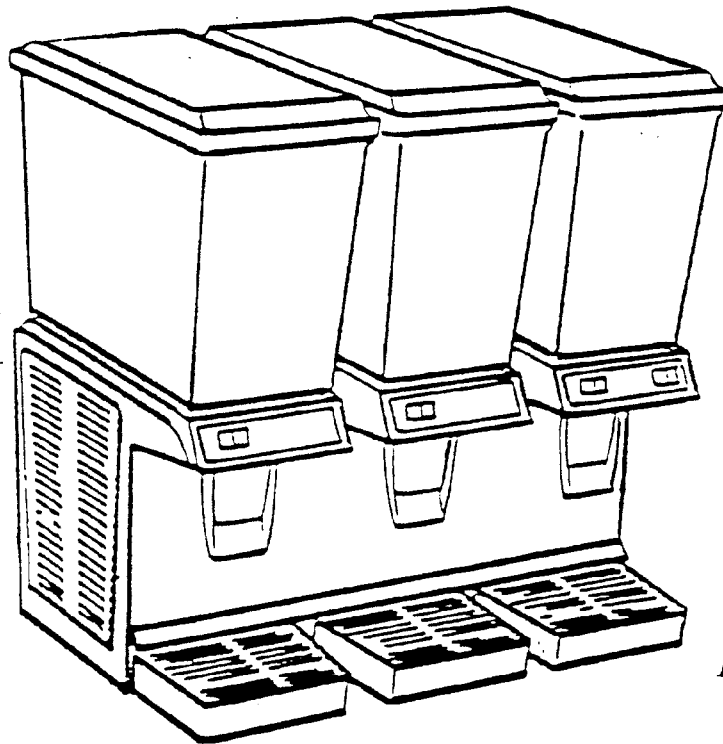


JETWAY

OWNER'S MANUAL FOR Visual Display Dispenser

JT30



MODEL

JT30	USA
JT30-W25	Export
JT30-W26	Export

Refrigerant R134a

Manufactured by IMI Cornelius/Jet Spray Corporation
2401 N. Palmer Drive, Schaumburg, IL 60196

Phone	U.S. & Canada	1-888-248-5568
	Outside U.S.	1-630-539-5050

Fax	U.S. & Canada	1-800-344-3801
	Outside U.S.	1-630-539-6960

September 1995
Printed in the U.S.A.

Document No. 18480
Revision No. 03

Your Standard of Excellence for Beverage Merchandising on Six Continents

General Description

The JT30 dispenser is a countertop visual display action beverage dispenser. It is designed to dispense a variety of products.

- Warning:**
1. This appliance must be earthed.
 2. This appliance is not suitable for use by unsupervised children.

Location

Place the dispenser on a solid, level surface with no part of the unit extending beyond the edge of that surface.

Power and Water

The JS7 requires a 120 Volt, 60 Hz grounded receptacle for the unit's power cord.

The JS7-W25 requires a 230V, 50 Hz earthed receptacle for the units power cord.

The JS7-W26 requires a 208V/230V, 60 Hz earthed receptacle for the units power cord plug.

Note: If the colors of the wires in the main leads of this appliance do not correspond with the colored markings identifying the terminals in your plug, proceed as follows.

-The green and yellow wire must be connected to the terminal in the plug marked with any of the following:

- the letter E
- colored green
- the earth symbol
- colored both green and yellow

-The blue wire must be connected to the terminal in the plug marked with the letter N or colored blue.

-The brown wire must be connected to the terminal in the plug marked with the letter L or colored orange.

Notes:

Attention is drawn to the requirements of National Regulations about connecting to and using Potable water supplies. Jet Spray dispensers conform to the requirements of the Model Water Bylaws of 1986 SI 1147. All surfaces which come into contact with food or drinking water are constructed of food quality non-toxic materials. are non-corrosive, non-tainting and do not support the growth of bacteria.

Jet Spray Corporation reserves the right to make changes in design and/or engineering without notice.

Power Cord

If the power cord becomes damaged, do not attempt to repair it. Take the unit to your nearest authorized dealer as a special tool is required.

<u>Area</u>	<u>JS P/N</u>
UK	A5291
USA	S1249
INTERNATIONAL	A1632

Operating Adjustments

Warning: Dangerous voltages are still present within the unit even if the power switch is turned off. Before attempting any adjustments inside the unit, turn the unit off and unplug it from the electrical receptacle.

Specifications

JT30 Series

A. Electrical

Model	P/N	Electrical Supply	RLA	Running Power	LRA
JT30	A8530	120VAC, 60 Hz	8.3 AMPS	996 Watts	35 AMPS
JT30-W25	A8540	230VAC, 50 Hz	3.0 AMPS	690 Watts	12 AMPS
JT30-W26	A8560	220VAC, 60 Hz	4.6 AMPS	1012Watts	12 AMPS

RLA - Running Load Amperage

LRA - Locked Rotor Amperage (*compressor starting amperage*)

B. Class of Windings

Compressor Motor - Class H (*climatic rating; normal*)

Condenser Fan Motor - Class B

C. Environment

Temperature

Operating: 60°F (16°C) to 110°F (43°C)

Storage: Above - 20°F (-7°C) with bowl empty and dry.

Humidity - Below 95%

D. Refrigeration (*R134a refrigerant*)

<u>Model</u>	<u>Charge Quantity</u>
JT30	186 grams (6.6 oz)
JT30-W25	186 grams (6.6 oz)
JT30-W26	186 grams (6.6 oz)

Installation and Operating Instructions

Setting up your Dispenser

1. Set dispenser chassis in desired location. Dispenser should be level and located on a solid counter.
2. Be sure dispenser has adequate free space on both sides; approximately 3" away from any wall or obstruction.

Cleaning the Dispenser

1. Removing the Push Handle
 - a. Push handle back until it stops.
 - b. Grasp clips on handle. Squeeze clips until they are free from panel. Pull straight down on handle (*see Fig. 1*).
2. Disassemble the bowl, lid, gasket, and pump housing assemblies.

Note: To remove pump housing, push back on top of housing just below spray tube and lift out of bowl. Clean in warm water and mild nonabrasive detergent and rinse thoroughly.

To Assemble

1. Slide the drip tray with grille into place.
2. Consider installation of a drain hose which connects to outlet on drip tray bottom (*Part No. S-3379*).
3. Turn bowl upside down and insert gasket into groove. Wet gasket for ease of insertion, pressing gasket into groove while following numbers in sketch opposite.
4. Install bowl spout gasket (*See Fig. 2*).
5. Lock pump housing in the bowl by pushing housing straight into bowl location until it snaps into position. Press down on top of the impella section to assure it is down all the way into well section (*see Fig. 3*).

Note: If a bowl circulator kit is used in place of the pump housing assembly, see page 5A for assembly.

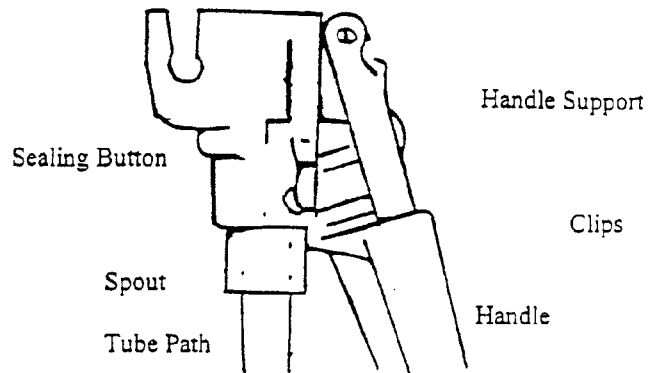


Fig. 1

CAUTION: Abrasive cleaners will scratch plastic parts.

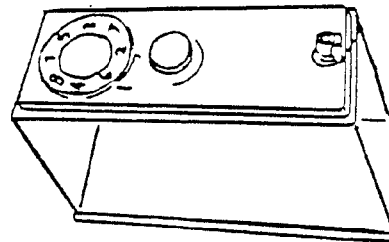


Fig. 2

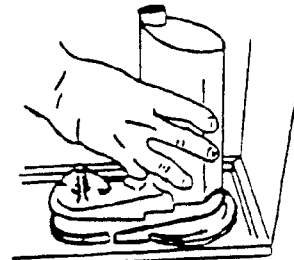


Fig. 3

6. Lock spray tube in by pushing down in opening, then rotate clockwise. Correctly installed tube will face front of bowl (See Fig. 4).

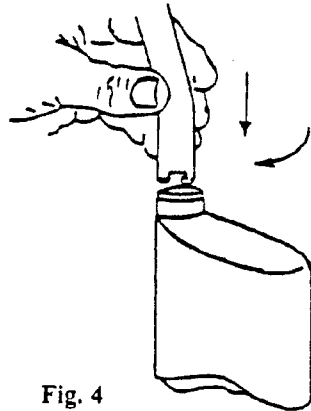


Fig. 4

7. Slide bowl over the cooling tubes and assembly the bowl to the dispenser. Be careful not to wrinkle gasket as it will result in beverage leaking out of bowl (refer to Fig. 5).

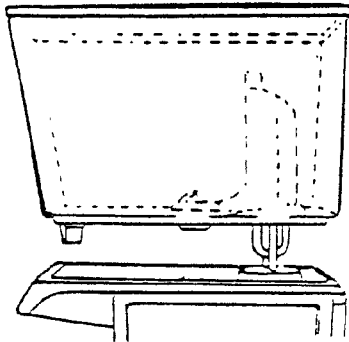


Fig. 5

8. Push down on pump housing to make sure it is in position.
9. Replacing push handle and pinch tube.
 - a. Push handle assembly straight up through rectangular hole until clips snap into place (see Fig. 6).

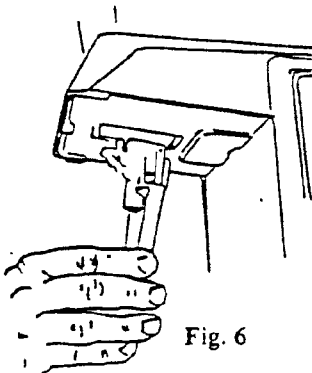


Fig. 6

- b. Remove pinch tube from plastic bag and wash.
- c. Before installing, wet bowl spout surface and pinch tube. Push back handle until it stops.
- d. Carefully insert pinch tube into bowl spout opening and on into lower opening of handle support spout. make sure end of tube does not get caught on edge above handle support spout opening, pull end of tube for final setting into bowl spout seat. make sure tube is free of wrinkles and extends below support spout about 1/4 inch (see Fig. 7).

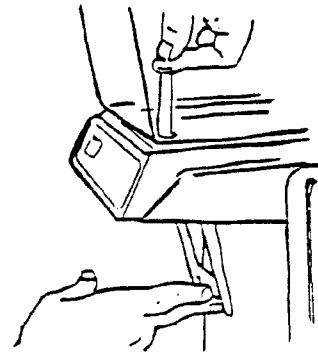


Figure 7

Operating Procedures

1. Follow beverage manufacturer's directions in filling bowl. To aid in filling, the bowl has gallon and liter markers up the center of the front wall -- gallons on left, liters on right.
2. Turn on the refrigeration and spray switch. Product should be cold enough to serve in 2 hours. Switch should be left "on" 24 hours a day to insure efficient operation.

Note: If unit is to be used to dispense beverage from only one bowl, use right hand bowl, but add a gallon of water to left bowl to assure proper cooling.

3. The thermostat is preset at the factory and will not normally require resetting by owner.

Frequent Maintenance Procedures

Cleaning the Bowls

1. Before removing the bowls, turn off both the refrigeration and spray switch.
2. Drain beverage from the bowls.
2. Remove pinch tube by pushing handle until it stops. Pull up on pinch tube until it is free, then remove handle (see Page 2). Lift off bowls, drip trays, and covers, and clean.
3. Clean as described in Paragraph B "Cleaning the Dispenser".
4. After cleaning, assemble as described in Paragraph C. Replace push handle, and insert pinch tube into bowls.

Cleaning Condensate Drain

1. To remove condensation drain (see Fig. 8); push in on front panel just under drain and pull down with fingers.
2. To replace condensate drains, hold drain against front panel under rectangular hole (opening in side of drain should be toward front panel). Push up through the hold until the drain snaps into place.

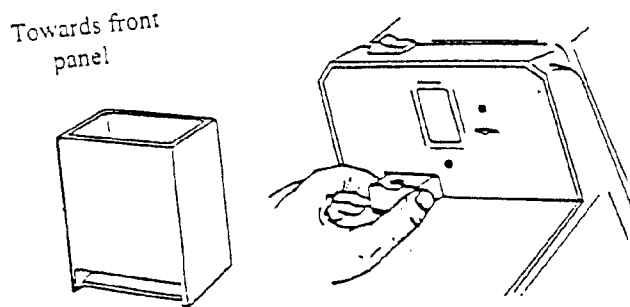


Figure 8

Sanitizing Unit

1. After cleaning, add one gallon of water between 75°F and 100°F to bowl. Mix one table spoon of approved powdered chlorine sanitizer* in a pint of water and when dissolved, pour into bowl. Replace lid and run unit two or three minutes. Then shut off unit and drain contents through valve.

WARNING: DO NOT RUN REFRIGERATION SWITCH WHEN SANITIZING.

Ventilation

1. Air flow is essential. Allow at least 3 inches of space on back and sides of dispenser. Lint or dust collecting on the condenser will result in poor refrigeration.

Cleaning the Filter and Condenser

1. Turn off switch.
2. Remove right side panel. Clean filter(s) by running a stream of hot water through the inside surface of filter(s), and allow to dry. Filter(s) should be replaced, if necessary - (See Parts List).

Correcting Dispenser Difficulties

No Spray

1. Be sure switch is "on".
2. If the unit does not spray, remove pump housing and check the impella. The impella must spin freely. Sugar and solids can crystallize, causing impella to bind. Frequent washing will eliminate this.

Pump Housing:

For New Units:

Remove the pin holding impella in pump housing by pushing down on top and pulling out on impella magnet. Separate parts and clean (see Fig. 9)

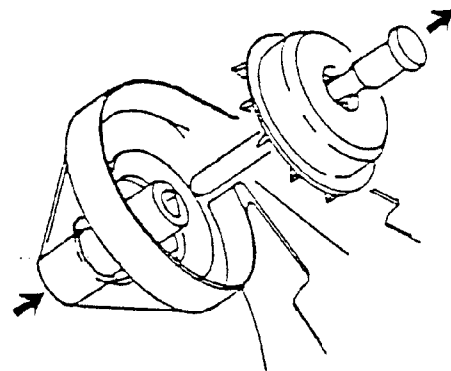


Fig. 9

Circulator Slide impella up on shaft and clean underside of impella at center. If impella rubs on the base of circulator, replace.

Note: Switch must be "off" when inserting the pump housing assembly into the bowl to assure magnetic coupling.

3. Long pieces of pulp may partially plug the pump housing and bind the impella blades. Juices with excessive pulp must be strained in order to spray. However, if it is desired to retain pulp, then use Jet Spray Circulator Kit No., A1620 in place of the pump housing assembly. Wash sediment from the pump well.
4. Pump housing assembly should be locked into place properly (*see paragraph C item 5*)

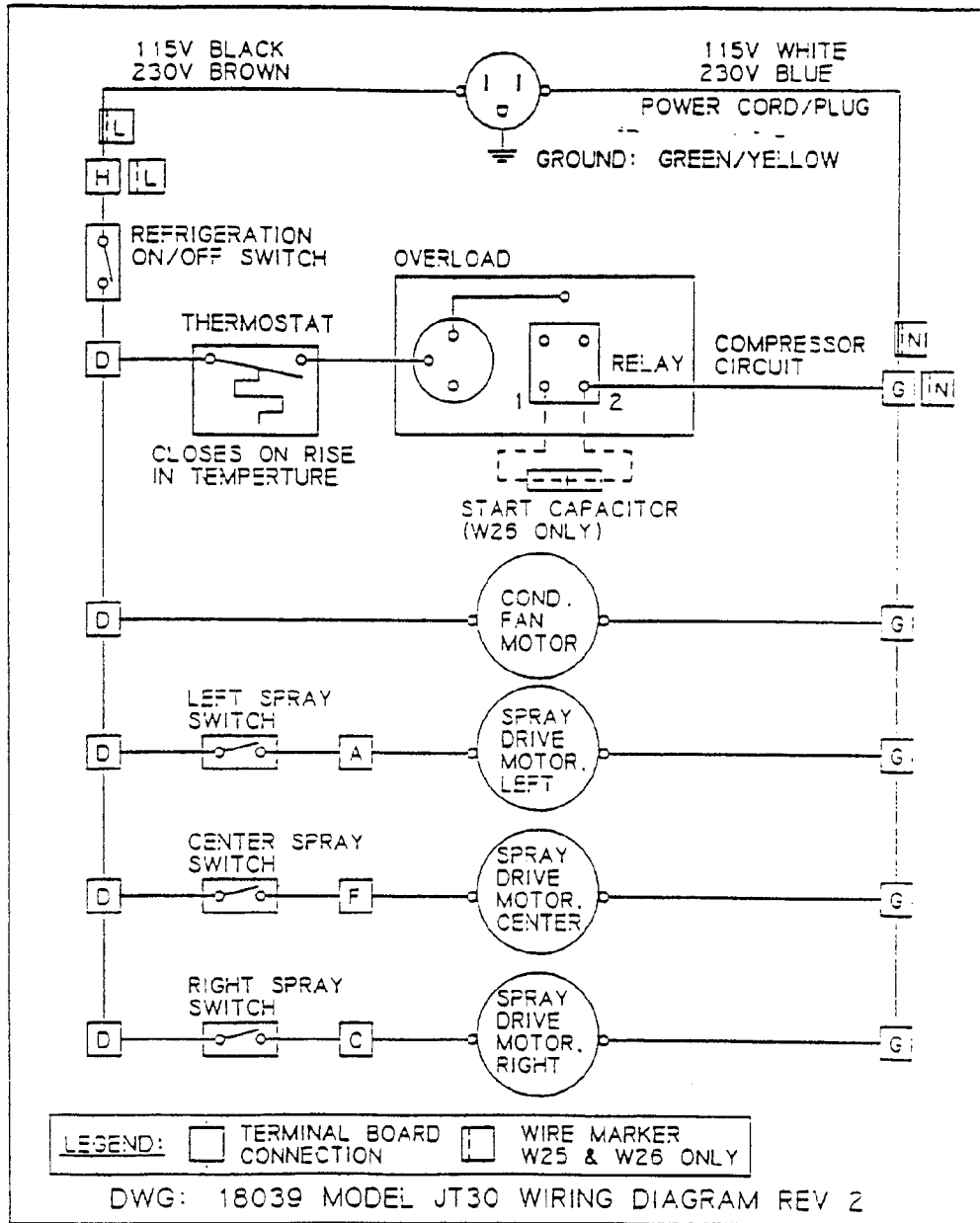
BOWL LEAKS

1. Do not confuse drippings from condensation on the outside of the bowl as bowl or facet leaks. High humidity causes more condensation.
2. Be sure the gasket has been put on properly. Check gasket for tears or cuts in rubber as they cause leaks.
3. Remove and examine pinch tube for holes.

JT30 Specifications

Model Numbers:	JT30 (U.S.A.) 120V/60Hz JT30-W26 (Export) 22060Hz JT30-W25 (Export) 230V/50Hz
Power Cord:	7' with ground connection
Size:	24 ¹ / ₂ " wide X 19" long X 26 ⁵ / ₈ " high (w/larger bowl) (62.2 cm wide X 48.3 cm long X 67.7 cm high)
Beverage Bowl & Cover:	Transparent, virtually unbreakable LEXAN resin.
Cabinet:	Stainless steel and white LEXAN resin
Capacity:	Over 10 U.S. gallons; 40 liters Over 6 U.S. gallons; 24 liters
Refrigeration:	Jet Spray 1/5 h.p. hermetically sealed system
Refrigerant:	Freon 134a non-toxic, odorless
Spray Drive and Fan Motor:	No oiling required
Power Drive Magnet:	Permanent INDOX magnet
Net Weight:	Base Only 51 lbs (193 kgs) Large Bowl 7 lbs (3.2 kgs) Small Bowl 5 lbs (2.3 kgs)
Shipping Weight:	Base Only 61 lbs (27.3 kgs) Large Bowl 10 lbs (4.7 kgs) Small Bowl 8 lbs (3.6 kgs)
Carton Cube:	Base Only 4.8 cu. ft (.14 cu. m.) Large Bowl 1.7 cu. ft. (.05 cu. m.) Small Bowl 1.4 cu. ft. (.04 cu. m.)

JT30 Wiring Diagram



We reserve the right to make changes in design and/or engineering without notice. Should the unit require service, take to nearest Jet authorized service center where parts and service may be obtained (U.S.A. only).

*UL listing applies for U.S.A.

** C-UL listing applies for Canadian models only.



Your Standard of Excellence for Beverage Merchandising on Six Continents

JETRAY