

# OWNER'S MANUAL

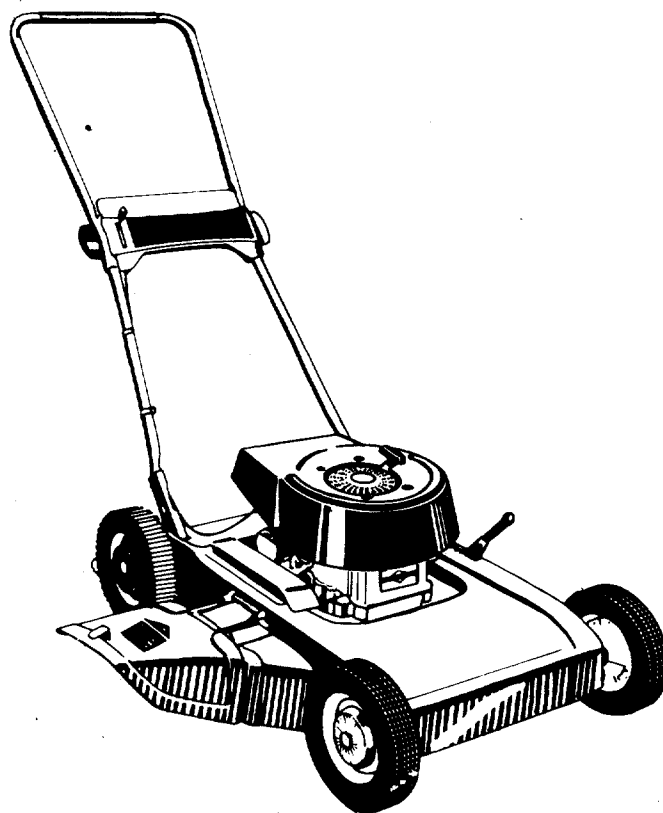
- ASSEMBLY
- OPERATION
- MAINTENANCE
- PARTS LIST

Model Nos.  
127-290A  
127-290-300

## Important:

Read Safety Rules and  
Instructions Carefully

**21"  
SELF  
PROPELLED  
ROTARY  
MOWER**



# **IMPORTANT**

It is suggested that this manual be read in its entirety before attempting to assemble or operate. Keep this manual in a safe place for future reference and for ordering replacement parts.

This unit is shipped WITHOUT GASOLINE or OIL. After assembly, see operating section of this manual for proper fuel and amount.

Your rotary mower is a precision piece of power equipment, not a plaything. Therefore exercise extreme caution at all times.

## **SAFE OPERATION PRACTICES FOR WALK-BEHIND MOWERS**

### **TRAINING**

1. Read the Operating and Service Owner's Manual carefully. Be thoroughly familiar with the controls and the proper use of the equipment.
2. Never allow children to operate a power mower. Only persons well acquainted with these rules of safe operation should be allowed to use your mower.
3. Keep the area of operation clear of all persons, particularly small children and pets. Stop engine when they are in the vicinity of your mower. Although the area of operation should be completely cleared of foreign objects, a small object may have been overlooked and could be accidently thrown by the mower in any direction.

### **PREPARATION**

1. Thoroughly inspect the area where the equipment is to be used and remove all stones, sticks, wire, bones and other foreign objects which could be picked up and thrown by the mower in any direction.
2. Do not operate equipment when barefoot or wearing open sandals. Always wear substantial footwear.
3. Do not wear loose fitting clothing that could get caught on the mower.
4. Check the fuel before starting the engine. Do not fill the gasoline tank indoors, when the engine is running, or while the engine is still hot. Wipe off any spilled gasoline before starting the engine.
5. Disengage the self-propelled mechanism or drive clutch on units so equipped before starting the engine.
6. Never attempt to make a wheel or cutting height adjustment while the engine is running.
7. Mow only in daylight or in good artificial light.
8. Never operate the equipment in wet grass. Always be sure of your footing; keep a firm hold on the handle and walk, never run.

### **OPERATION**

1. Do not change the engine governor settings or overspeed the engine. Excessive engine speeds are dangerous.
2. Do not put hands or feet near or under rotating parts. Keep clear of the discharge opening at all times.
3. Stop the blade(s) when crossing gravel drive, walks or roads.
4. After striking a foreign object, stop the engine, remove the wire from the spark plug,

thoroughly inspect the mower for any damage, and repair the damage before restarting and operating the mower.

5. If the equipment should start to vibrate abnormally, stop the engine and check immediately for the cause. Vibration is generally a warning of trouble.
6. Stop the engine whenever you leave the mower, before cleaning the mower housing, and when making any repairs or inspections.
7. When cleaning, repairing or inspecting, make certain the blade and all moving parts have stopped. Disconnect the spark plug wire, and keep the wire away from the plug to prevent accidental starting.
8. Before attempting to unclog the mower or discharge chute, stop the engine and be sure the blade(s) have stopped completely. Disconnect the spark plug wire and keep the wire away from the plug to prevent accidental starting.
9. Do not run the engine indoors.
10. Shut the engine off and wait until the blade comes to a complete stop before removing the grass catcher.
11. Mow across the face of slopes, never up-and-down. Exercise extreme caution when changing direction on slopes. Do not mow excessively steep slopes.
12. Always disconnect electric mowers (line operated) before cleaning, repairing or adjusting.
13. Never operate mower without proper guards, plates or other safety protective devices in place.
14. Keep washout ports and other mower-housing service openings closed when mowing.

### **MAINTENANCE AND STORAGE**

1. Check the blade and engine mounting bolts at frequent intervals for proper tightness.
2. Keep all nuts, bolts, and screws tight to be sure the equipment is in safe working condition.
3. Never store the equipment with gasoline in the tank inside of a building where fumes may reach an open flame or spark. Allow the engine to cool before storing in any enclosure.
4. To reduce fire hazard, keep the engine free of grass, leaves, or excessive grease.
5. Check the grass catcher bag frequently for wear or deterioration. For safety protection replace only with new bag meeting original equipment specifications.

# ASSEMBLY INSTRUCTIONS

## HANDLE ASSEMBLY

1. Remove the loose hardware from the assembly pack. You will need a screwdriver and a 5/16" wrench, either a socket as shown in figure 1 or an open end wrench.
2. Assemble the lower handle to the handle brackets as shown in figure 2.
3. Secure the handle with cotter hairpins on both sides. See figure 2.
4. Place the handle panel over the lower handle and fasten with the handle panel screw using a 5/16" wrench. See figure 3.
5. Place the upper handle over the lower handle and line up the holes as shown in figure 4.
6. Insert the curved head bolt from the inside and tighten the knob by hand. See figure 4.
7. Place the throttle control in the handle panel and assemble it with the two throttle screws using a screwdriver. See figure 5.
8. Use the cable clip to fasten the throttle control wire to the lower handle.
9. Check ALL nuts and bolts for correct tightness.



It may be necessary to spread the ends of the lower handle outward slightly to assure a snug fit against the bracket mounting area.

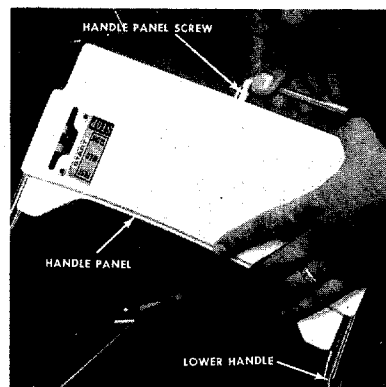


FIGURE 3. HANDLE PANEL ASSEMBLY

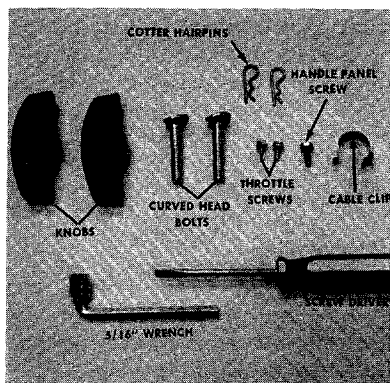


FIGURE 1. LOOSE HARDWARE AND TOOLS

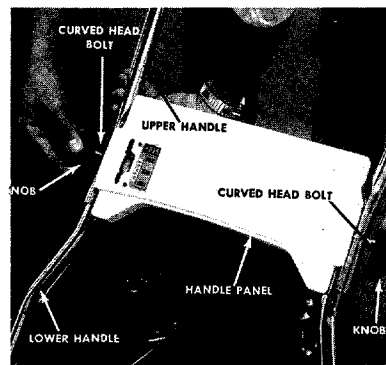


FIGURE 4. UPPER HANDLE ASSEMBLY

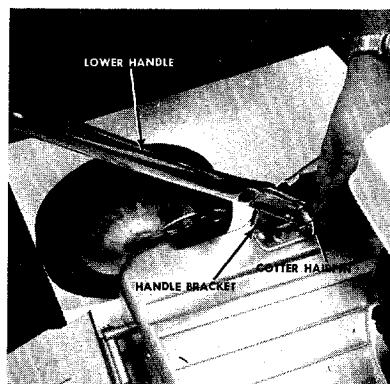


FIGURE 2. LOWER HANDLE ASSEMBLY

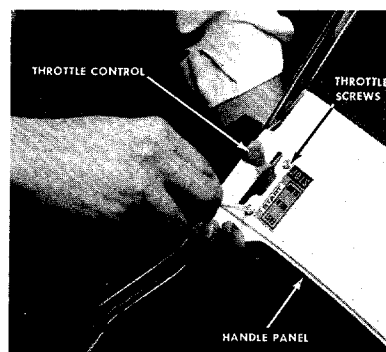
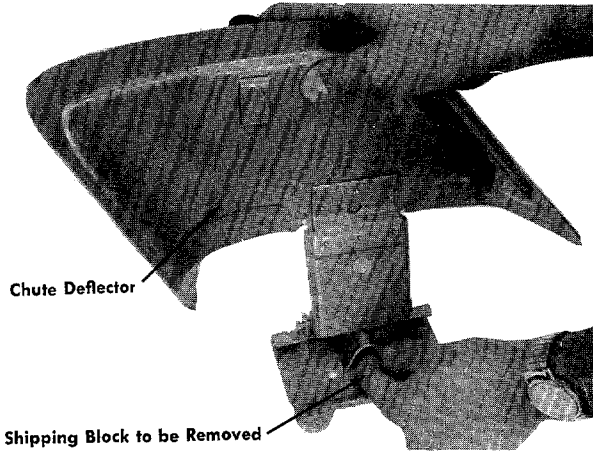


FIGURE 5. THROTTLE CONTROL ASSEMBLY



## CAUTION

Please note that the chute deflector on your mower is in an upright position. It is held in that position by a shipping block. This block is used for shipping purposes only. It must be removed and discarded before your mower is put into operation.



For shipping purposes your mower is set with the wheels in a low cutting height position. For best results raise the cutting position until it is determined which height is best for your lawn. See adjustments.

## OPERATION

1. Service engine with gas and oil. See engine manual packed with lawn mower for complete instructions for the care and maintenance of engine. **READ DIRECTIONS CAREFULLY.**
2. To disconnect the power to the rear drive wheels so the mower can be pushed by hand, depress the handle.  
To engage the drive wheels, lift the handle.
3. When turning the mower depress the handle and raise the front wheels, and pivot on the rear wheels. The differential action of the rear axle allows the wheels to turn independently on turns and allows both wheels to drive when the handle is in the UP position.

### START ENGINE

With the throttle lever conveniently mounted on the handle, start, fast, slow and stopping of the engine is conveniently controlled with one lever.  
After the engine has been properly fueled and oiled (refer to engine operating and maintenance instructions), start engine in the following manner.

### RECOIL STARTER

1. Move throttle control lever to START position.
2. Crank engine. Pull recoil with a quick firm pull. Do not pull out so far that rope stops with a jerk as this will cause rope failure. Do not allow rope and handle to snap back into place.
3. After two or three full firm pulls on recoil (or as soon as engine fires), move speed control to run position.
4. Operate a new engine at intermediate speeds and light load for the first few hours as you would a new automotive engine.
5. To stop engine, move speed control lever to STOP position.
6. If carburetor needs adjustment to start or for operation, see "Carburetor Readjustment" section.



A brief break-in period is essential to insure maximum engine life. This consists of running the engine at half speed for a period of time required to use one tank of gasoline. This is necessary on the initial run only. It is also recommended that the oil be changed after five (5) hours of operation. This allows for the removal of impurities which may have accumulated during the break-in period. Subsequent oil changes should be made as stated in the engine manual. Always check oil before using your mower. Be sure crankcase is full.

## ADJUSTMENTS



### CAUTION

Do not at any time make any adjustment to lawn mower without first stopping engine and disconnecting spark plug wire.

### CUTTING HEIGHT

This mower can be adjusted for seven cutting heights. To change the height, move the height adjustment lever away from the engine and forward to lower the cutting height and move to rear to raise the cutting height. The one lever adjusts all four wheels at the same time.

### BELT

The belt requires no adjustment. The idler maintains the proper tension on the belt at all times.

### THROTTLE

If adjustment becomes necessary, the throttle control wire assembly can be reset as follows:

1. Loosen, but do not remove, screw securing throttle control wire assembly at engine.

2. Move throttle control lever on handle to "FAST" position.
3. Move lever, to which control wire is fastened at engine, to full open position and retighten screw to secure throttle control wire assembly.

## USING YOUR ROTARY MOWER

For the best results do not cut wet grass because it tends to stick to the underside of the mower, thus preventing proper discharge of grass clippings. If wet grass must be cut, reduce walking speed to help distribute the clippings more effectively.

New grass should be treated as wet grass, otherwise a normal walking speed is about the right pace for efficient mowing.

The best mowing pattern is one that allows the clippings to discharge towards the uncut part of the lawn. This permits recutting of the clippings to further pulverize them. When cutting high weeds, discharge towards cut portion then recut at right angles to first direction.

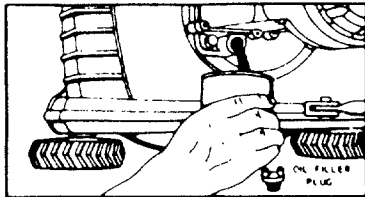
Lawn should be cut in the fall as long as there is growth.

## LUBRICATION



Always stop engine and disconnect spark plug wire before cleaning, lubricating or doing any kind of work on lawn mower.

**Engine** — Follow engine manual for lubrication instructions.



FILL AND DRAIN OIL FROM OIL FILL PLUG.

Always disconnect spark plug cable during repairs, refueling or changing oil. Engine oil may be drained through oil filler opening by tilting the mower on its side. Change oil after first 5 hours of operation while engine is warm. Thereafter, change oil every 25 hours of operation while engine is warm.

**Chain** — Lubricate periodically with light engine oil (SAE No. 10 or 20).

**Controls** — Lubricate periodically the control assemblies and conduit and wire with light engine oil for ease of operation.

**Wheels** — Lubricate periodically bearings on front wheels with light engine oil. Rear drive wheels are equipped with sintered bearings. Lubricate at least once a season with light oil.

**Protective Shield** — The pivot points on the protective shield should be lubricated periodically with light oil to prevent any rust or binding.

**Chute Deflector** — The torsion spring and pivot point should be lubricated periodically with light oil to prevent any rust or binding. Deflector must work freely.

### CUTTING BLADE

The blade may easily be removed for grinding or replacement as follows:

1. Remove bolt and lock washer holding blade and blade adapter to engine crankshaft.
2. Remove blade and blade adapter from engine crankshaft.
3. Remove two bolts, lock washers and nuts holding blade to blade adapter (if necessary).

When sharpening blade, follow the original angle of grind as a guide. It is extremely important that each cutting edge receives an equal amount of grinding to prevent an unbalanced blade. An unbalanced blade will cause excessive vibration when rotating at high speeds and may cause damage to the mower.



To insure safe operation of your unit, ALL nuts and bolts must be checked periodically for correct tightness.

**Deck** — The underside of mower deck should be cleaned after each period of use as grass clippings, leaves, dirt and other matter will accumulate. This accumulation of grass clippings, etc., is undesirable as it will invite rust and corrosion and may cause an uneven discharge of grass clippings at the next cutting.

The deck may be cleaned by tilting the mower forward or on its side and scraping clean with a suitable tool or by washing with a stream of water from a garden hose.



Do not direct the stream of water at a hot engine as damage to the engine may result.

**Belt Removal (Refer to drawings on Pages 10 and 12.)**

1. Be sure spark plug wire is removed from spark plug.
2. Remove the belt guard (Ref. No. 65) by removing the two screws on the belt guard.
3. Move the height adjustment lever (Ref. No. 27) to the high position.
4. Place a piece of plastic film under gas cap and tighten it. The plastic prevents gasoline from draining from the air vent in the cap.

5. Place the handle of mower on a table or bench so that the underside of deck is showing.
6. Remove cutting blade (Ref. No. 38) by removing blade bolt (Ref. No. 40).
7. Remove deck (Ref. No. 37) by removing four bolts (Ref. No. 43). NOTE: If you have a grass catcher adapter plate on your unit remove only one bolt, one towards the front wheels.
8. Remove master link (Ref. No. 4) and chain (Ref. No. 4).
9. Remove rear wheel hub cap (Ref. No. 25) from right hand rear wheel only.
10. Remove cotter pin (Ref. No. 24) ratchet (Ref. No. 23) and right hand rear wheel (Ref. No. 21).
11. Remove spring (Ref. No. 39) from cam assembly (Ref. No. 17).
12. Remove shoulder bolt (Ref. No. 42) from rear axle assembly (Ref. No. 5) on the right hand side only.
13. Remove cotter pin (Ref. No. 31) from shaft assembly (Ref. No. 43).
14. Pull idler assembly (Ref. No. 12) towards you and pull belt (Ref. No. 11) over idler.
15. Slide shaft assembly (Ref. No. 43) to the left.
16. Pull belt down past PTO pulley (Ref. No. 10) and over end of rear axle assembly (Ref. No. 5).
17. To replace with new belt, reverse the above steps.

## STORAGE

The following steps should be taken to prepare the mower for storage.

1. Clean and lubricate mower thoroughly as described in the preceding instructions.
2. Refer to engine manual for correct engine storage instructions.
3. Coat mower's cutting blade with chassis grease to prevent rusting.
4. Store mower in dry, clean area.

## HANDLE STORAGE

This model is so equipped to provide easy fold away handle storage.

1. Loosen the two plastic knobs on each side, center of handle.
2. Pull outward on the bottom of each side of the lower handle and push forward.
3. Fold the upper handle back and down.

### To Take the Handle out of Storage Position.

1. Lift the upper handle up and towards the rear.
2. Pull the handle back until it **Locks** into the operator's position.
3. Tighten the two plastic knobs securely.

GRASS CATCHER Model No. 197-003A is available as optional equipment for the mowers shown in this manual.



1. The mower should not be operated without the entire grass catcher or chute deflector in place.
2. The mower should not be operated without the protective shield on the rear of the deck in place.



### NOTE

Under normal usage bag material is subject to wear and should be checked periodically. Be sure any replacement bag complies with the mower manufacturer's recommendations.

For replacement bags, use only factory authorized replacement bag No. 764-0119.



### NOTE

The manufacturer DOES NOT recommend the use of any accessory on this Rotary Mower other than those manufactured by MTD Products Inc.

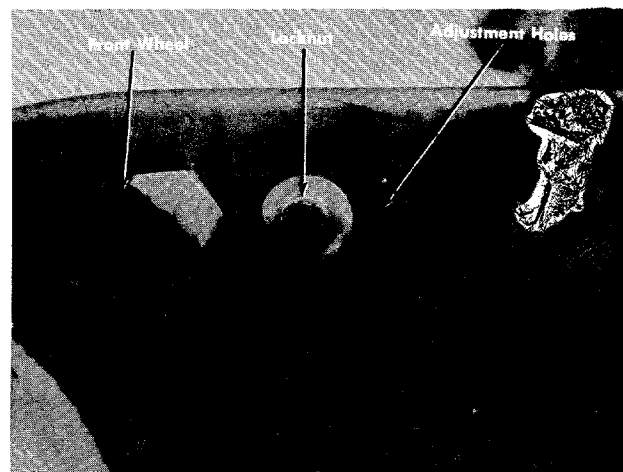


### IMPORTANT

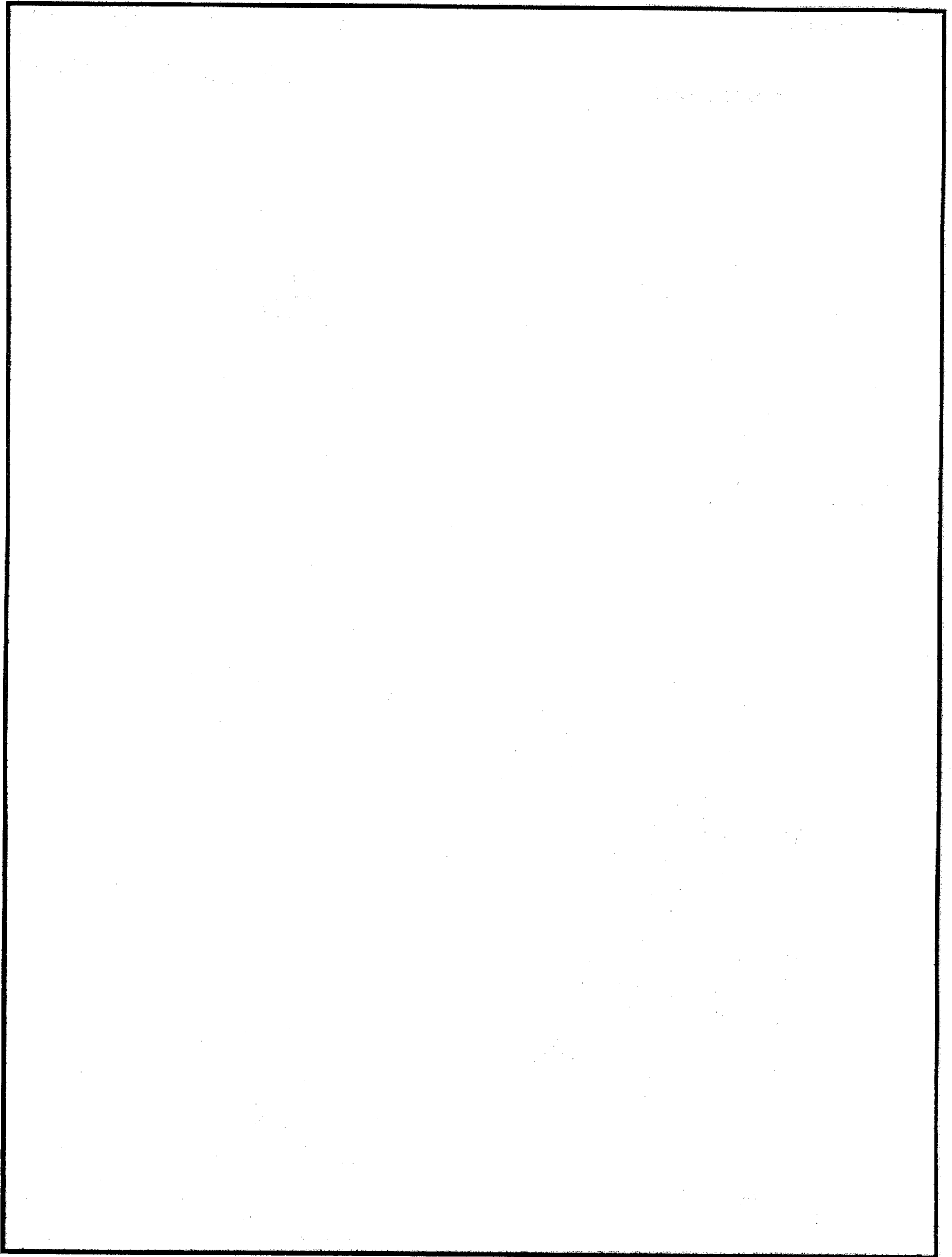
After striking a foreign object, stop the engine, remove wire from spark plug. Thoroughly inspect the mower for any damage, and repair the damage before restarting and operating the mower.

An adjustment is provided on the left side of the upper deck, next to the front and rear wheels, to compensate for wear or use of the grass catcher to keep the cutting deck level.

To adjust, loosen the locknuts and move either up or down as necessary. Tighten the locknuts securely. Both adjustments should be in the same relative position. See illustration below.



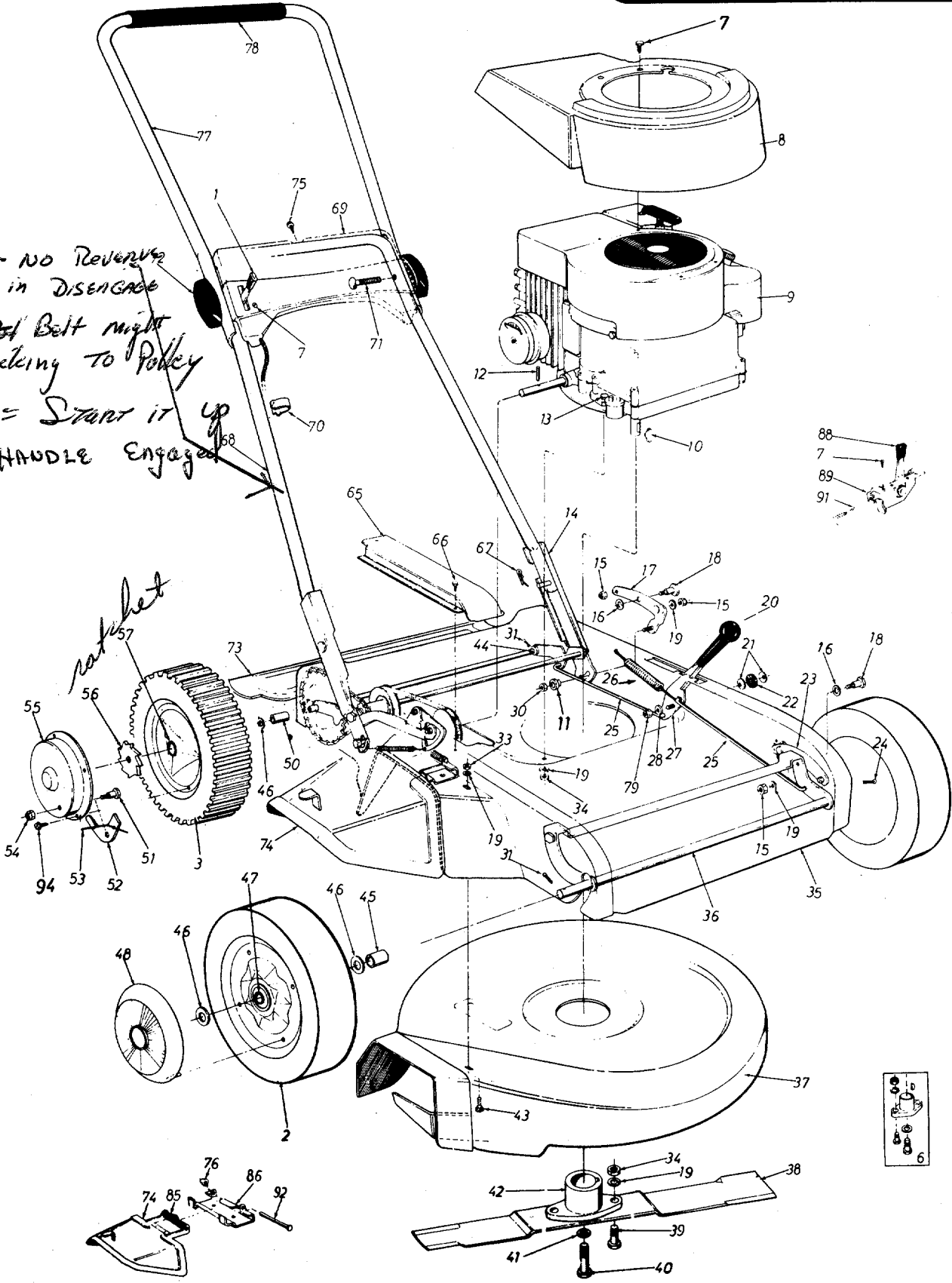
# NOTES



# 127-290A

IF YOU WRITE TO US ABOUT THIS ARTICLE  
OR IF YOU ORDER REPLACEMENT PARTS AL-  
WAYS MENTION THIS MODEL & SERIAL NO  
MODEL

*PROBLEM - NO REVERSE  
WHEN IN DISENGAGE  
CAUSE: Red Belt might  
Be sticking to Pulley  
Solution = Start it  
up WITH HANDLE Engaged*





**PARTS LIST FOR MODEL NO. 127-290A**

Ref. No.	Part No.	Color Code	Description	New Part	Ref. No.	Part No.	COLOR CODE	Description	New Part
1	11611		Throttle Cont. Ass'y.—Comp.		44	748-0142		Flange Bearing—Rear	
2	734-0661		Front Wheel Ass'y.—Comp.		45	748-0190		Front Wheel Spacer	
3	734-0538		Rear Wheel Ass'y.—Comp.		46	736-0160		Flat Washer	
6	10769		Blade Adapter Kit		47	741-0180		Ball Bearing—Front Wheel	
7	710-0227		Slotted Hex Washer Hd. Ext. Scr. #8 x .50" Lg.		48	731-0124		Hub Cap—Front Wheel	
8	731-0275		Engine Shroud		50	750-0190		Rear Wheel Spacer	
9	—		Engine		51	738-0137		Shoulder Bolt—Special	
10	714-0365		Key Hi Pro #505		52	748-0188		Pawl—Rear Wheel	
11	748-0234		Shoulder Spacer		53	10622		Nylon Spring	
12	715-0105		Spirol Pin 3/16" Dia. x .50" Lg.		54	712-0219		Hex Elastic Stopnut 1/4-20 Thd.	
						0324			
13	710-0158		Hex Scr. 5/16-24 x 1.25" Lg.*		55	10647		Hub Cap—Rear Wheel	
14	12623		Handle Ext. Ass'y.		56	748-0187		Ratchet—Rear Wheel	
15	712-0798		Hex Nut 3/8-16 Thd.		57	748-0125		Sintered Bearing—Rear Whl.	
16	736-0221		Int. L-Wash. .38 I.D.		65	10635 —462		Belt Guard Cover	
17	10656		Rear Height Pivot Brkt. Ass'y.		66	710-0224		Hex Hd. Self Tap Scr. #10 x .50" Lg.*	
18	738-0149		Shld. Bolt—Special		67	714-0104		Hairpin Cotter	
19	736-0119		Spring L-Wash. 5/16 Scr.*		68	10970		Lower Handle	
20	720-0143		Grip—Height Adjuster		69	11606 —462		Handle Panel	
21	736-0105		Belleville Washer		70	746-0128		Cable Clip	
22	735-0126		Rubber Washer		71	710-0405		Curved Hd. Scr. 5/16-18 x 1.75" Lg.*	
23	10658		Front Height Pivot Brkt. Ass'y.		72	09966		Knob—Handle Ass'y.	
24	714-0507		Cotter Pin 3/32 x .75" Lg.*		73	12251 —462		Protective Shield Ass'y.—Comp.	
25	10080		Rod—Height Adj. 5/16 Thd.*						
26	732-0121		Spring 4.31" Lg.		74	11679 —462		Chute Deflector	
27	10666		Height Adj. Lever		75	710-0148		Hex Wash. Hd. F-Tapp Scr. #8-32 x .38" Lg.	
28	736-0160		Flat Washer*						
29	735-0127		Rubber Washer		76	726-0106		Push-on Flange Palnut	
30	712-0158		Hex Cent. L-Nut 5/16-18 Thd.*		77	10011		Upper—Handle	
31	714-0115		Cotter Pin 1/8" Dia. x 1" Lg.*		78	718-0143		Grip	
33	712-0267		Hex Nut 5/16-18 Thd.*		79	712-0711		Hex Jam Nut 3/8-24 Thd.	
34	712-0123		Hex Nut 5/16-24 Thd.*		82	714-0115		Cotter Pin 1/8 Dia. x N1.00	
35	11428 —462		Upper Deck Ass'y.		85	732-0253		Torsion Spring	
36	10662		Front Axle Ass'y.		86	11130 —462		Adapter Plate	
37	11425 —462		Lower Deck Ass'y. <i>HAS 7.5 HOLE FOR BBC</i>		87	07299		Oil Fill Trough (Not Shown)	
38	742-0124		Blade—21 inch		90	710-0567		Hex Sems Scr. 1/4-28 x .62" Lg.	
39	710-0117		Hex Scr. 5/16-24 x 1" Lg.—		91	746-0231		Conduit and Wire	
40	710-0459		Hex Scr. 3/8-24 x 1.50" Lg.—		92	711-0555		Pivot Pin	
			H.T.		94	710-0227		Slotted Hex Wash. Hd. Ext. Scr. No. 8 x .50" Lg.	
41	736-0217		Spring L-Wash. 3/8 Scr. H.D.						
42	10769		Blade Adapter Kit						
43	710-0260		Carriage Bolt 5/16-18 x 5/8" Lg.*						

\*For faster service, obtain standard nuts, bolts and washers locally. If these items cannot be obtained locally, order by part number and size as shown on the parts list.

(462—Red Flake)

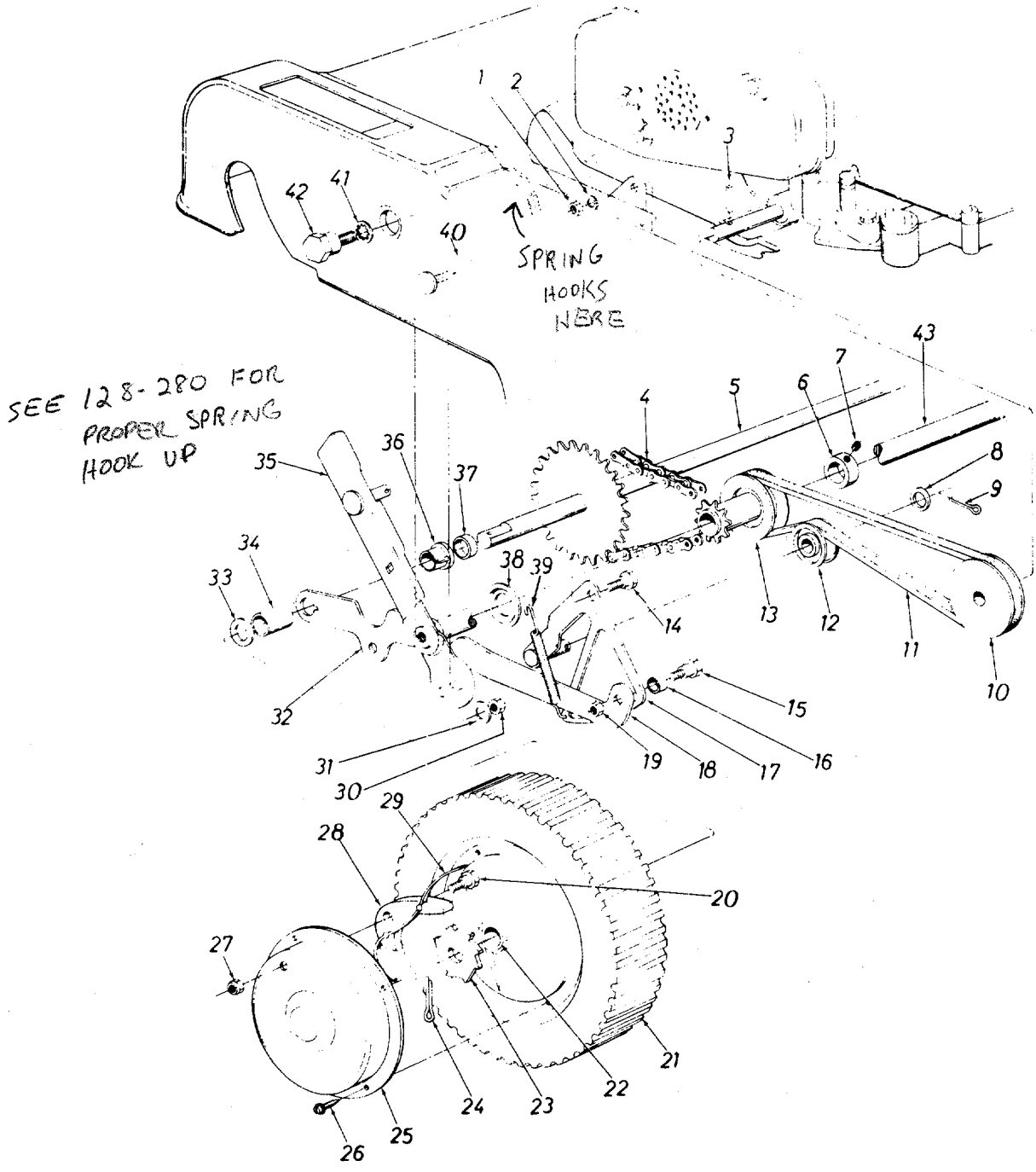
When ordering parts, if color or finish is important, use the appropriate color code shown above. (e.g. Red Flake Finish—11428 (462))

The engine is not under warranty by the mower manufacturer. If repairs or service is needed on the engine, please contact your nearest authorized engine service outlet. Check the "Yellow Pages" of your telephone book under "Engines — Gasoline."



# 127-290A

IF YOU WRITE TO US ABOUT THIS ARTICLE  
OR IF YOU ORDER REPLACEMENT PARTS AL-  
WAYS MENTION THIS MODEL & SERIAL NO  
MODEL



PARTS LIST FOR MODEL 127-290A

Ref. No.	Part No.	Color Code	Description	New Part	Ref. No.	Part No.	Color Code	Description	New Part
1	712-0267		Hex Nut 5/16-18 Thd.*		22	748-0125		Sintered Bearing—Rear Whl.	
2	736-0119		L-Wash. 5/16" Scr.*		23	748-0187		Ratchet—Rear Wheel	
3	715-0105		Spring Pin Sprial 3/16" Dia. x .50" Lg.		24	714-0115		Cotter Pin 1/8" Dia. x 1.00" Lg.*	
4	713-0144		Roller Chain #48 x 15.50" Lg.		25	10647		Hub Cap—Rear Wheel	
	713-0122		#48 Master Link		26	710-0227		Hex Wash. Hd. AB-Tapp Scr. #8 x .50" Lg.	
5	11866		Rear Shaft Ass'y.		27	712-0219		Hex Elastic Stop Nut 1/4-20 Thd.	
6			Part of Ref. No. 43			0324			
7	710-0421		Set Scr. 5/16-18 x .25" Lg.—Cup		28	748-0188		Pawl—Rear Wheel	
8	736-0160		Flat Washer		29	10622		Nylon—Spring	
9	714-0115		Cotter Pin 1/8" Dia. x 1.00" Lg.*		30	712-0158		Hex Cent. L-Nut 5/16-18 Thd.	
10	756-0115		Pulley for P.T.O.		31	736-0160		Flat Washer	
11	754-0114		"V"-Belt 1/2" x 24" Lg.		32	11900		Rear Axle Ass'y.	
12	756-0192		Plastic Idler		33	736-0160		Flat Washer	
13			Part of Ref. No. 43		34	750-0190		Rear Wheel Spacer	
14	738-0140		Shoulder Bolt—Special		35	12624		Pivot Arm Ass'y.—R.H.	
15	738-0141		Shoulder Bolt—Special		36	748-0142		Flange Bearing—Rear	
16	750-0122		Sleeve		37	711-0494		Spacer	
17	11920		Cam Assembly		38	10665		Spacer	
18	12624		Pivot Arm Ass'y.—R.H.		39	732-0265		Spring 3/8 OD x 3.17 LG	
19	712-0158		Hex Cent. L-Nut 5/16-18 Thd.		40	748-0233		Shoulder Spacer	
20	738-0137		Shoulder Bolt—Special		41	736-0221		Int. L-Wash. .38 I.D.	
21	734-0538		Rear Wheel Ass'y.—Comp.		42	738-0149		Shoulder Bolt—Special	
					43	11900		Rear Axle Ass'y.	

# PARTS INFORMATION

## POWER EQUIPMENT PARTS AND SERVICE

Parts and service for all MTD manufactured power equipment are available through the authorized service firms listed below. All orders should specify the model number of your unit, parts numbers, description of parts and the quantity of each part required.

<b>ALABAMA</b>	<b>BIRMINGHAM</b>	
	Auto Electric & Carburetor Co.	2625 4th Ave. S. .... 35233
<b>ARKANSAS</b>	<b>NORTH LITTLE ROCK</b>	
	Sutton's Lawn Mower Shop	Rt. 4, Box 368 ..... 72117
	<b>FORT SMITH</b>	
	Mity Mite Motors, Inc.	2515 Towson Ave. .... 72901
<b>CALIFORNIA</b>	<b>SAN BERNARDINO</b>	
	Lawn Mower Supply Co.	25608 E. Baseline .... 92410
	<b>SAN FRANCISCO</b>	
	J.W. Jewett Co.	981 Folsom St. .... 94107
	<b>SACRAMENTO</b>	
	Luttig & Severson	2030 28th St. .... 95818
<b>COLORADO</b>	<b>DENVER</b>	
	South Denver Lawn Equip.	527 West Evans ..... 80223
<b>CONNECTICUT</b>	<b>SUFFIELD</b>	
	The Jones & Ramsey Co.	850 Thompsonville Rd. 06078
<b>FLORIDA</b>	<b>JACKSONVILLE</b>	
	Radco Distributors	2403 Market St. .... 32206
	<b>CORAL GABLES</b>	
	Moz-All of Florida, Inc.	365 Greco Ave. .... 33146
<b>GEORGIA</b>	<b>EAST POINT</b>	
	East Point Cycle & Key	2834 Church St. .... 30344
<b>ILLINOIS</b>	<b>LYONS</b>	
	Keen Edge Co.	8615 Ogden Ave. .... 60534
<b>INDIANA</b>	<b>ELKHART</b>	
	Parts & Sales Inc.	2101 Industrial Pkwy. ...46514
<b>IOWA</b>	<b>DUBUQUE</b>	
	Power Lawn & Garden Equip.	2551 J.F. Kennedy .... 52001
<b>KANSAS</b>	<b>WICHITA</b>	
	Hixon, Inc.	3030 Mascot ..... 67204
<b>LOUISIANA</b>	<b>NEW ORLEANS</b>	
	Suhren Engine Co.	8330 Earhart Blvd. .... 70118
<b>MARYLAND</b>	<b>TAKOMA PARK</b>	
	Center Supply Co.	6867 New Hampshire Ave. 20012
<b>MASSACHUSETTS</b>	<b>SPRINGFIELD</b>	
	Morton B. Collins Co.	300 Birnie Ave. .... 01107
<b>MICHIGAN</b>	<b>MOUNT CLEMENS</b>	
	Power Equipment Dist.	36463 South Gratiot... 48043
	<b>LANSING</b>	
	Lorenz Service Co.	2500 S. Pennsylvania.. 48900
<b>MINNESOTA</b>	<b>MINNETONKA</b>	
	Hance Distributing Inc.	11212 Wayzata Blvd. ...55343
<b>MISSISSIPPI</b>	<b>BILOXI</b>	
	Biloxi Sales & Service, Inc.	506 Caillavet St. .... 39533
<b>MISSOURI</b>	<b>KANSAS CITY</b>	
	Automotive Equip. Service	3117 Holmes St. .... 64109
	<b>ST. LOUIS</b>	
	Henzler, Inc.	2015 Lemay Ferry Rd. 63125
<b>NEW YORK</b>	<b>CARTHAGE</b>	
	Gamble Dist., Inc.	West End Ave. .... 13619
	<b>SYRACUSE</b>	
	Kimber's, Inc.	115 N. Geddes St. .... 13204

## BRIGGS & STRATTON, TECUMSEH AND PEERLESS PARTS AND SERVICE

Briggs & Stratton, Tecumseh and Peerless parts and service should be handled by your nearest authorized engine service firm. Check the yellow pages of your telephone directory under the listing *Engines Gasoline*, Briggs & Stratton or Tecumseh Lauson

<b>NORTH CAROLINA</b>	<b>GREENSBORO</b>	
	Dixie Sales Company	327 Battleground Ave.. 27402
	<b>GOLDSBORO</b>	
	Smith Hardware Co.	515 N. George St. .... 27530
<b>OHIO</b>	<b>WADSWORTH</b>	
	National Central	687 Seville Rd. .... 44281
	<b>CLEVELAND</b>	
	Bleckrie, Inc.	7900 Lorain Ave. .... 44102
	<b>CARROL</b>	
	Stebe's Mid-State Mower Supply	Box 366 ..... 43112
	<b>WILLARD</b>	
	Sunshine Wholesale	Tire Outlet Route 224 ..... 44890
	<b>MANSFIELD</b>	
	McClure Lawn & Garden Supply	1114 Lexington Ave. . 44903
<b>OKLAHOMA</b>	<b>MUSKOGEE</b>	
	Victory Motors, Inc.	605 S. Cherokee ..... 74401
	<b>ADA</b>	
	Ada Auto Supply	301 E. 12th St. .... 74820
<b>OREGON</b>	<b>PORTLAND</b>	
	Kenton Supply Co.	8216 N. Denver Ave. . 97217
<b>PENNSYLVANIA</b>	<b>LANCASTER</b>	
	Raub Supply Co.	James & Mulberry Sts...17604
	<b>PITTSBURGH</b>	
	Bluemont Co.	11125 Frankstown Rd.. 15235
<b>TENNESSEE</b>	<b>KNOXVILLE</b>	
	Master Repair Service	2423 Broadway, N.E. ...37917
	<b>MEMPHIS</b>	
	Memphis Cycle & Supply Co.	421 Monroe Ave. .... 38103
	American Sales & Service, Inc.	1922 Lynnbrook ..... 38116
<b>TEXAS</b>	<b>DALLAS</b>	
	Marr Brothers, Inc.	423 E. Jefferson ..... 75203
	<b>HOUSTON</b>	
	Bullard Supply Co.	2409 Commerce St. .... 77000
	<b>SAN ANTONIO</b>	
	Catto & Putty, Inc.	P.O. Box 2408 .....78206
	<b>FORT WORTH</b>	
	Woodson Sales Corp.	1702 N. Sylvania ..... 76111
<b>UTAH</b>	<b>SALT LAKE CITY</b>	
	A-1 Engine & Mower Co.	437 E. 9th St. .... 84111
<b>VERMONT</b>	<b>BURLINGTON</b>	
	Vermont Appliance Co.	44 Lakeside Ave. ....05401
<b>VIRGINIA</b>	<b>RICHMOND</b>	
	RBI Corp.	963 Myers St. .... 23260
<b>WASHINGTON</b>	<b>SEATTLE</b>	
	Bailey's Rebuild, Inc.	1325 E. Madison St. ...98102
<b>WEST VIRGINIA</b>	<b>CHARLESTON</b>	
	Young's, Inc.	233 Virginia St., E. ... 25301
<b>WISCONSIN</b>	<b>APPLETON</b>	
	Automotive Supply Co.	123 S. Linwood Ave. ...54911

### WARRANTY PARTS AND SERVICE POLICY

The purpose of warranty is to protect the customer from defects in workmanship and materials, defects which are NOT detected at the time of manufacture, It does not provide for the unlimited and unrestricted replacement of parts. Use and maintenance are the responsibility of the customer. The manufacturer cannot assume responsibility for conditions over which it has no control. Simply put, if it's the manufacturer's fault, it's the manufacturer's responsibility; if it's the customer's fault, it's the customer's responsibility.

#### CLAIMS AGAINST THE MANUFACTURER'S WARRANTY INCLUDES

1. Replacement of Missing Parts on new equipment.
2. Replacement of Defective Parts within the warranty period.
3. Repair of Defects within the warranty period.

All claims MUST be substantiated with the following information:

1. Model Number of unit involved.
2. Date unit was purchased or first put into service.
3. Date of failure.
4. Nature of failure.