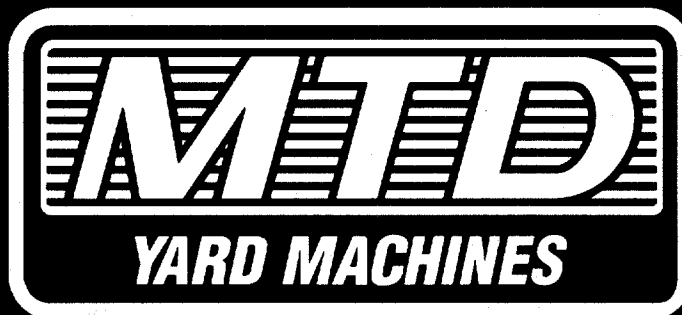


# ILLUSTRATED PARTS

AMERICAN  AMERICAN  
M A D E O W N E D  
OUTDOOR POWER EQUIPMENT



## 1995

## Self-Propelled Mowers

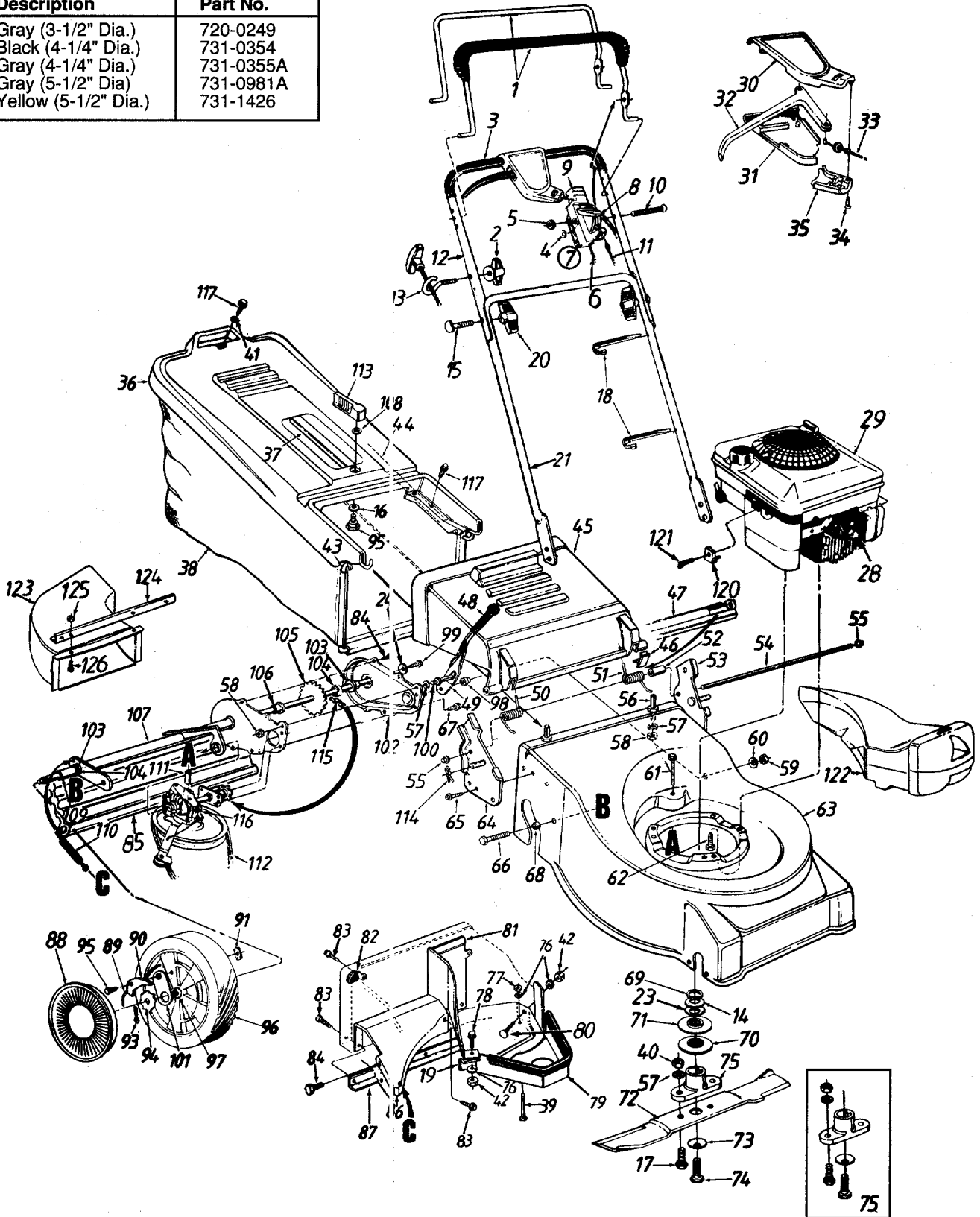
Model Number	Pages
125-475A000 thru 125-478R000.....	2-5
125-487G000 thru 125-488R000.....	5-8
125-528C000 thru 125-528P000.....	9-11
Engine Shrouds.....	12

# Models 475 thru 478

Grass Catcher Complete: Model 190-076-000  
 Optional Mulching Kit Complete: Model 190-108-000  
 Optional Chute Deflector: Model 190-109-000

## †Optional Hub Caps

Description	Part No.
Gray (3-1/2" Dia.)	720-0249
Black (4-1/4" Dia.)	731-0354
Gray (4-1/4" Dia.)	731-0355A
Gray (5-1/2" Dia.)	731-0981A
Yellow (5-1/2" Dia.)	731-1426



**PARTS LIST FOR MODELS 475 THRU 478 ROTARY MOWERS**

REF. NO.	PART NO.	CODE	DESCRIPTION	REF. NO.	PART NO.	CODE	DESCRIPTION
1	747-0824		Std. Control Handle	61	710-0778		Hex Wash. Hd. Tap Scr.
	647-0004		Deluxe Control Handle				1/4-20 x 1.5" Lg.
2	720-0297		Handle Knob 1/4-20 Thd.	62	710-0654A		Hex L-Wash. Hd. Scr.
3	720-0225		Foam Grip (Optional)				3/8-16 x 1" Lg.
4	736-0501		Spr. Wash. .66" I.D.	63	16997		21" Deck Ass'y.
5	712-0324		Hex L-Nut 1/4-20 Thd.	64	12296B		Handle Brkt. Ass'y.—R.H.
6	746-0843		Throttle Cable—55" (478 Series)	65	710-0896		Hex L-Wash. Hd. AB-Tap Scr.
	746-0845		Throttle Cable—45" (475 Series)				1/4 x .62" Lg.
7	811-00185		Throttle Box Comp. (Incl. Ref. 4, 5, 8, 9, 10)	66	710-0623		Hex Wash. Hd. Tap Scr.
8	746-0876		Throttle Lever	67	710-0599		3/8-16 x .75" Lg.
9	646-0875		Throttle Body				Hex Wash. Hd. Tap Scr.
10	710-0605		Oval C-Sunk Scr.	68	750-0736		1/4-20 x .5" Lg.
11	746-0554		Control Cable—40.5" (478 Series)	69	748-0358		Spacer .383" I.D.
	746-0555		Control Cable—55" (475 Series)	70	756-0961		Crankshaft Spacer
12	749-0539B		Upper Handle	71	756-0962		Pulley Half—Lower
13	710-1205		Rope Guide	72	742-0621		Pulley Half—Upper
14	736-0513		Spr. Wash. .89" I.D.	73	742-0721		21" Blade
15	710-1174		Curved Hd. Bolt 5/16-18 x 2"	74	736-0452		21" Mulching Blade (Optional)
16	736-0286		Bowed Washer	75	710-1044		Bell-Wash. .39" I.D.
17	710-1055		Hex Bolt 3/8-24 x 1" Lg.	76	710-1044		Hex Bolt 3/8-24 x 1.5" Lg.
18	726-0240		Cable Tie	77	753-0484		Blade Adapter Kit
19	782-7010		Støp Brkt.	78	736-0329		L-Wash. 1/4" I.D.*
20	720-0276		Hand Knob	79	712-0298		Hex Jam Nut 1/4-20 Thd.
21	749-0928		Lower Handle	80	710-0252		Hex Bolt 1/4-20 x .85" Lg.
23	736-0514		FI-Wash. .88" I.D. x 1.85"	81	682-5009		Ext. Baffle
24	736-0270		Bell-Wash. .265" I.D. x .75"	82	710-0167		Carr. Bolt 1/4-20 x .50" Lg.*
28	735-0639		Spark Plug Boot (Optional)	83	17006		Rear Panel Baffle
29	—		Engine		731-0931		Corner Plug
30	731-1057		Control Cover Half—Upper	84	710-1017		Torx Mach. AB-Tap Scr. 1/4 x .62" Lg.
31	731-1058		Control Cover Half—Lower		710-0653		Hex Wash. Hd. Tap Scr.
32	731-0620		Control Lever				1/4 x .38" Lg.
33	746-0711A		Drive Cable—51" Lg.	85	731-1488		Rear Flap
34	710-0841		Flat C-Sunk Hd. Tap Scr. #10 x .75" Lg.	86	17008		Rear Chute Baffle
35	731-1059		Cable Mtg. Cap	87	782-5010		Retaining Strip
36	731-0857A		Hardtop Bag Cover	88	†		Hub Cap (Optional)
37	731-0856A		Hardtop Handle	89	10622B		Plastic Spring
38	764-0252		Grass Bag	90	748-0381		Pawl .345" I.D.—R.H.
39	710-0166		Truss Mach. Scr. 1/4-20 x 1.0" Lg.		748-0188B		Pawl .345" I.D.—L.H.
40	712-0241		Hex Nut 3/8-24 Thd.*	91	712-0414		(Not Shown)
41	736-0463		FI-Wash. .281" I.D. x .62"	92	714-0115		Weld Top L-Nut 1/4-20 Thd.
42	712-0287		Hex Nut 1/4-20 Thd.*	93	748-0318		Cotter Pin 1/8" Dia.
43	764-0411		Front Catcher Frame	94	738-0137		Ratchet Wheel 1.62" O.D.
44	749-0736A		Rear Catcher Frame	95	**		Shld. Bolt .342" Dia. x .268"
45	731-0859		Chute Deflector	96	**		Wheel Ass'y. Comp.—Rear
46	731-0970B		Deflector Plug	97	**		Bearing 1/2" I.D.
47	731-0858		Seal—Extrusion	98	750-0624		Shld. Spacer .50" Dia.
48	720-0223		Grip	99	710-0751		Hex Bolt 1/4-20 x .62" Lg. (Gr. 5)
49	732-0580		Spring Lever	100	711-0805		Shld. Pin 3/8-24 x 1.43" Lg.
50	732-0578B		Torsion Spring—R.H.	101	16855		Pawl Plate
51	732-0577B		Torsion Spring—L.H.	102	17053A		Chain Cover Ass'y.
52	750-0566		Spacer .255" I.D.	103	741-0324		Hex Flange Brg. .506" I.D.
53	12297B		Handle Brkt. Ass'y.—L.H.	104	736-0160		FI-Wash. .531" I.D. x .93"
54	747-0698B		Hinge Pin 17.75" Lg.	105	738-0719A		Rear Axle Ass'y.
55	726-0106		Cap Speed Nut	106	741-0522		Hex Flange Bearing
56	711-0805		Shld. Pin 3/8-24 x 1.43" Lg.	107	17009		Chain Axle Ass'y.
57	736-0169		L-Wash. 3/8" I.D.*	108	736-0498		Internal L-Wash. 1/4" I.D.
58	712-0711		Hex Jam Nut 3/8-24 Thd.	109	748-0190		Spacer .513" I.D.
59	712-0296		Hex L-Nut 3/8-24 Thd.	110	732-0481		Extension Spring 3.8" Lg.
60	736-0105		Bell-Wash. .38" I.D. x .88"	111	750-0589		Spacer .325" I.D.
				112	754-0346		V-Belt
				113	720-0224		Grass Catcher Locking Knob

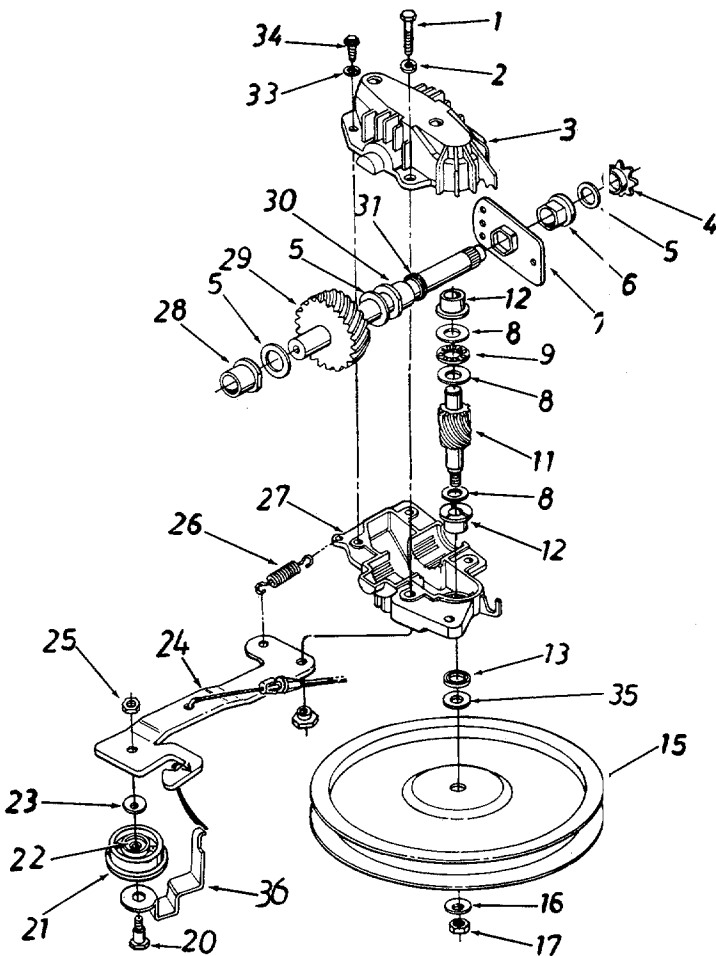
**PARTS LIST FOR MODELS 475 THRU 478 ROTARY MOWERS (CONTINUED)**

REF. NO.	PART NO.	CODE	DESCRIPTION	REF. NO.	PART NO.	CODE	DESCRIPTION
114	714-0104		Internal Cotter Pin 5/16" Dia.	122	731-1446		Mulching Plug (Optional)
115	713-0353		#48 Chain .50" Pitch x 30 Links	123	731-1461		Chute Deflector (Optional)
116	717-0417B		Transmission Comp. (See Breakdown)	124	782-7011		Chute Mouting Brkt. (Optional)
117	710-0892		Hex L-Wash. H.D. AB-Tap Scr. 1/4 x .62" Lg.	125	712-0324		Hex L-Nut 1/4-20 Thd.
120	751B213146		Cable Clamp (478 Series)	126	710-0286		Mach. Scr. 1/4-20 x .5" Lg.
	7510007755		Cable Clamp (475 Series)				
121	710-1237		Hex Self-Tap Scr. #10-32 x .62" Lg. (478 Series)				
	710-0871		Hex Sems Scr. #10-32 x .38" Lg. (475 Series)				

# Models 475 thru 478

**PARTS LIST FOR MODELS 475 THRU 478 ROTARY MOWERS**

REF. NO.	PART NO.	CODE	DESCRIPTION
1	710-1062		Hex Bolt 1/4-20 x 1.25" Lg. w/Patch
2	736-0329		L-Wash. 1/4" I.D.*
3	717-0418A		Upper Hsg. Half
4	713-0400		#48 Sprocket 7 Tooth x 1/2 Pitch
5	736-0336		Fl-Wash. 5/8" I.D. x .030
6	741-0413		Hex Flange Brg. .631" I.D.
7	16500A		Hex Bearing Cup
8	736-0314		Thrust Wash. .382" I.D. x .70" O.D.
9	741-0479		Thrust Bearing .375" I.D. x .812" O.D.
11	717-1216		11 Tooth Pinion Shaft
12	748-0208A		Flange Bearing
13	721-0212		Oil Seal
15	756-0330A		Fl-Pulley 5.06" O.D.†
16	736-0270		Bell-Wash. .265" I.D. x .75"†
17	712-0351		Hex L-Nut 1/4-28 L.H. Thd.†
18	738-0440		Shld. Spacer .375" Dia. x .170"†
20	738-0826		Shld. Bolt .375" Dia. x .40"†
21	656-0008		Fl-Idler Plastic 1.50" Dia. (Incl Ref. #22)†
22	741-0556		Needle Brg. .375" x .31"†
23	736-0270		Bell-Wash. .265" I.D. x .75"†
24	782-7570	N	Idler Brk't. Ass'y.†
25	712-0138		Hex Patch L-Nut 1/4-28 Thd.†
26	732-0357A		Extension Spring 1.12" Lg.†
27	717-0419A		Lower Hsg. Half
28	741-0415		Flange Bearing .566 Dia.
29	717-0616		Shaft Ass'y.
30	741-0414		Flange Bearing .629 Dia.
31	721-0213		Oil Seal .625 Dia.
33	736-0722		L-Wash. #10 I.D.
34	710-0436		Hex B-Tap Scr. #10 x .62"
35	736-0410		Hex Washer .26" x .88"†
36	782-7569	N	Belt Keeper†
—	717-0417B		Transmission Comp.

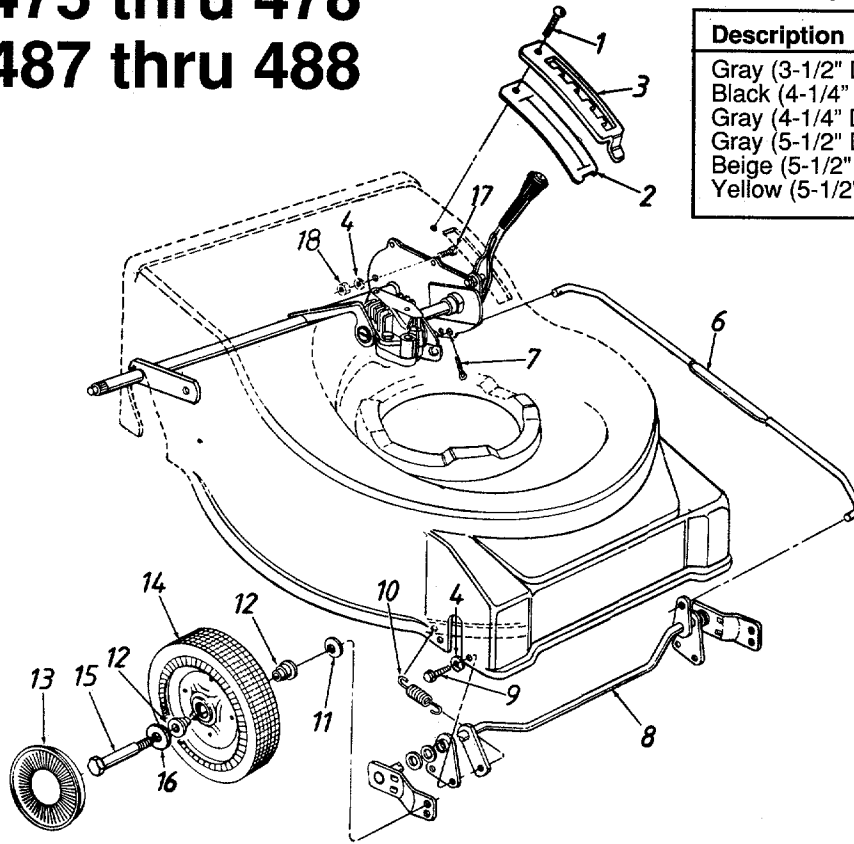


†Not Part of Transmission Complete

# Models 475 thru 478 Models 487 thru 488

## †Optional Hub Caps

Description	Part No.
Gray (3-1/2" Dia.)	720-0249
Black (4-1/4" Dia.)	731-0354
Gray (4-1/4" Dia.)	731-0355A
Gray (5-1/2" Dia.)	731-0981A
Beige (5-1/2" Dia.)	731-0982A
Yellow (5-1/2" Dia.)	731-1426


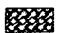



### PARTS LIST FOR MODELS 475 THRU 478 ROTARY MOWERS

EF. IO.	PART NO.	CODE	DESCRIPTION	REF. NO.	PART NO.	CODE	DESCRIPTION
1	710-1017		Torx Mach. AB-Tap Scr. 1/4 x .62" Lg.	10	732-0589		Extension Spring 2.39" Lg.
2	721-0216		Height Adjustment Support	11	736-0105		Bell-Wash. .380" I.D. x .88"
3	17323		Height Adjustment Plate	12	**		Ball Bearing 1/2" I.D.
4	736-0329		L-Wash. 1/4" I.D.*	13	†		Hub Cap (See Above)
6	747-0699		Height Adj. Connecting Rod	14	**		Wheel Ass'y. Comp.—Front
7	714-0507		Cotter Pin 3/32" Dia.	15	738-0102		Shld. Bolt .498" Dia. x 1.45"
8	17022		Front Axle Ass'y.	16	736-0504		Wave Wash. .51" I.D. x .78"
9	710-0352		Hex L-Wash. Hd. AB-Tap Scr. 1/4 x .38" Lg.	17	710-0286		(Used w/Ball Bearings)
				18	712-0298		Mach. Scr. 1/4-20 x .5" Lg. Hex Jam Nut 1/4-20 Thd.

\*For faster service obtain standard nuts, bolts and washers locally.  
If these items cannot be obtained locally, order by part number  
and size as shown on parts list.

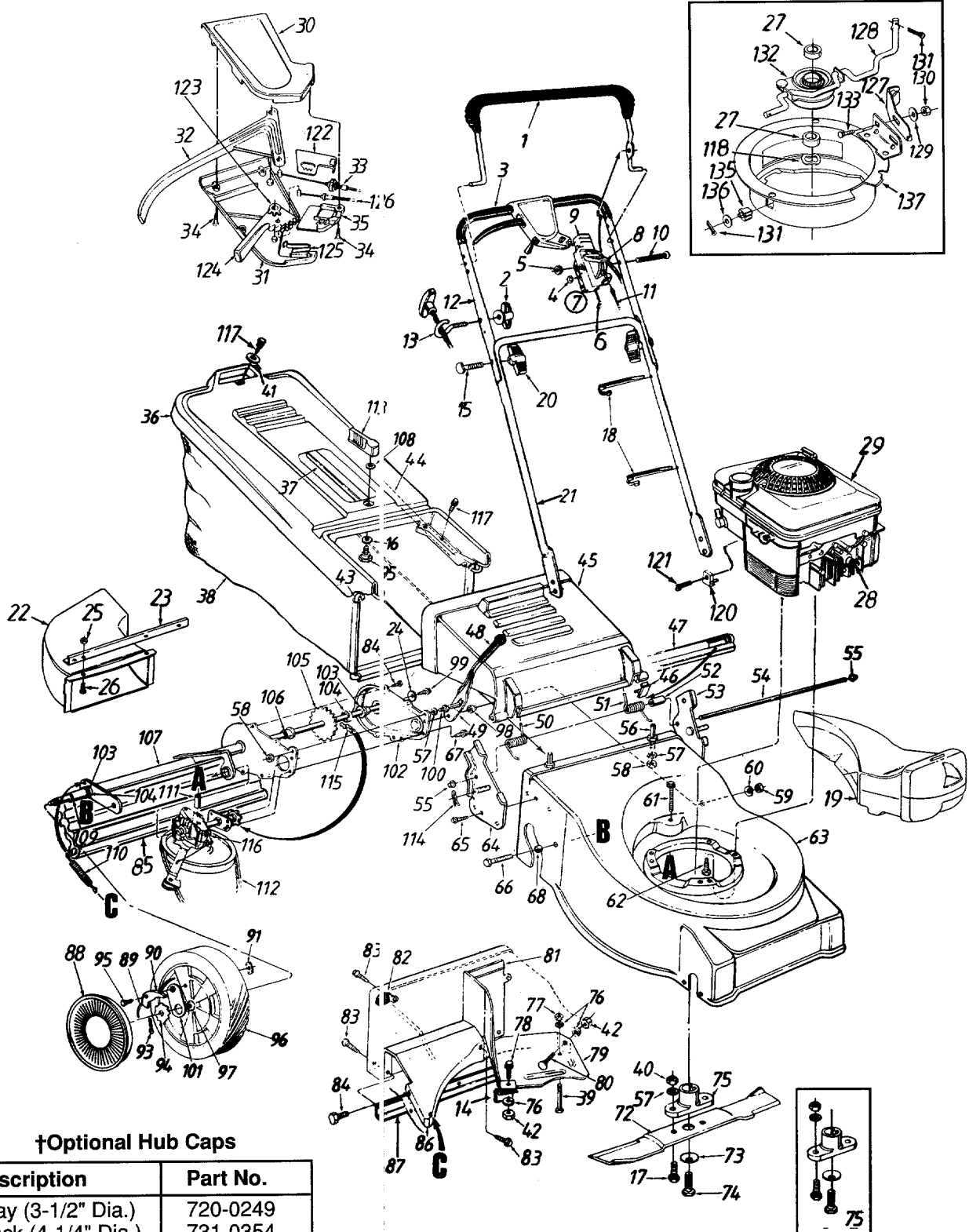
### \*\*WHEEL CHART

Bar Tread 	"T" Tread 	"S" Wave Tread 
---	---	--

Size	Tread Type	Front Wheels		Rear Wheels	
		Part No.	Bearings	Part No.	Bearings
8" x 1.75"	Bar Tread	634-0020	—	634-0020	—
8" x 1.75"	"T" Tread	734-1268	741-0484 Ball Brg.	734-1412	741-0486B Sleeve Brg.
8" x 2"	"S" Wave	734-1512A	—	734-1512A	—
8" x 2"	"S" Wave	734-1513B (Gray Rim)	741-0484 Ball Brg.	734-1510B (Gray Rim)	741-0486B Sleeve Brg.
8" x 2"	"S" Wave	734-1790 (Yellow Rim)	741-0484 Ball Brg.	734-1791 (Yellow Rim)	741-0486B Sleeve Brg.

# Models 487 thru 488

Grass Catcher Complete: Model 190-076-000  
 Optional Mulching Kit Complete: Model 190-108-000  
 Optional Chute Deflector: Model 190-109-000



†Optional Hub Caps

Description	Part No.
Gray (3-1/2" Dia.)	720-0249
Black (4-1/4" Dia.)	731-0354
Gray (4-1/4" Dia.)	731-0355A
Gray (5-1/2" Dia.)	731-0981A
Beige (5-1/2" Dia.)	731-0982A

**PARTS LIST FOR MODELS 487 THRU 488 ROTARY MOWERS**

REF. NO.	PART NO.	CODE	DESCRIPTION	REF. NO.	PART NO.	CODE	DESCRIPTION
1	747-0824		Std. Control Handle	58	712-0711		Hex Jam Nut 3/8-24 Thd.
	647-0004		Deluxe Control Handle	59	712-0296		Hex L-Nut 3/8-24 Thd.
2	720-0279		Handle Knob 1/4-20 Thd.	60	736-0105		Bell-Wash. .38" I.D. x .88"
3	720-0225		Foam Grip (Optional)	61	710-0778		Hex Wash. Hd. Tap Scr.
4	736-0501		Spr. Wash. .66" I.D.				1/4-20 x 1.5" Lg.
5	712-0324		Hex L-Nut 1/4-20 Thd.	62	710-0654A		Hex L-Wash. Hd. Scr.
6	746-0843		Throttle Cable—55" (488 Series)				3/8-16 x 1" Lg.
	746-0842		Throttle Cable—51" (487 Series)	63	16997		21" Deck Ass'y.
7	811-00185		Throttle Box Comp.	64	12296B		Handle Brkt. Ass'y.—R.H.
			(Incl. Ref. 4, 5, 8, 9, 10)	65	710-0896		Hex L-Wash. Hd. AB-Tap Scr.
8	746-0876		Throttle Lever				1/4 x .62" Lg.
9	646-0875		Throttle Body	66	710-0623		Hex Wash. Hd. Tap Scr.
10	710-0605		Oval C-Sunk Scr.				3/8-16 x .75" Lg.
11	746-0554		Control Cable—40.5" (488 Series)	67	710-0599		Hex Wash. Hd. Tap Scr.
	746-0737		Control Cable—51" (487 Series)	68	750-0736		1/4-20 x .5" Lg.
12	749-0539B		Upper Handle	69	742-0621		Spacer .383" I.D.
13	710-1205		Rope Guide	72	742-0721		21" Blade
14	782-7010		Stop Bracket	73	736-0453		21" Mulching Blade (Optional)
15	710-1174		Curved Hd. Bolt 5/16-18 x 2"	74	710-0757		Bell-Wash. .46" I.D.
16	736-0286		Bowed Washer	75	753-0485		Hex Bolt 7/16-20 x 1.5" Lg.
17	710-1055		Hex Bolt 3/8-24 x 1" Lg.	76	736-0329		Blade Adapter Kit
18	726-0240		Cable Tie	77	712-0298		L-Wash. 1/4" I.D.*
19	731-1446		Mulching Plug (Optional)	78	710-0252		Hex Jam Nut 1/4-20 Thd.
20	720-0276		Hand Knob	79	17013A		Hex Bolt 1/4-20 x .85" Lg.
21	749-0928		Lower Handle	80	710-0167		Rear Belt Baffle
22	731-1461		Chute Deflector (Optional)	81	17006		Carr. Bolt 1/4-20 x .50" Lg.*
23	782-7011		Chute Mounting Brkt. (Optional)	82	731-0931		Rear Panel Baffle
24	736-0270		Bell-Wash. .265" I.D. x .75"	83	710-1017		Corner Plug
25	712-0324		Hex L-Nut 1/4-20 Thd.				Torx Mach. AB-Tap Scr. 1/4 x
26	710-0286		Mach. Scr. 1/4-20 x .5" Lg.	84	710-0653		.62" Lg.
27	750-0968		Spacer .885" I.D.				Hex Wash. Hd. Tap Scr.
28	735-0639		Spark Plug Boot (Optional)	85	731-1488		1/4 x .38" Lg.
29	—		Engine	86	17008		Rear Flap
30	731-0904		Control Cover Half—Upper	87	14847		Rear Chute Baffle
31	731-0905		Control Cover Half—Lower	88	†		Retaining Strip
32	731-0620		Control Lever	89	10622B		Hub Cap (Optional)
33	746-0711A		Drive Cable—51" Lg.	90	748-0381		Plastic Spring
34	710-0841		Flat C-Sunk Hd. Tap Scr. #10 x .75" Lg.		748-0188B		Pawl .345" I.D.—R.H.
							Pawl .345" I.D.—L.H.
35	731-0906		S.P. Control Cover	91	712-0414		(Not Shown)
36	731-0857A		Hardtop Bag Cover	93	714-0115		Weld Top L-Nut 1/4-20 Thd.
37	731-0856A		Hardtop Handle	94	748-0318		Cotter Pin 1/8" Dia.
38	764-0252		Grass Bag	95	738-0137		Ratchet Wheel 1.62" O.D.
39	710-0166		Truss Mach. Scr. 1/4-20 x 1.0" Lg.	96	**		Shld. Bolt .342" Dia. x .268"
40	712-0241		Hex Nut 3/8-24 Thd.*	97	**		Wheel Ass'y. Comp.—Rear
41	736-0463		Fl-Wash. .281" I.D. x .62"	98	750-0624		Bearing 1/2" I.D.
42	712-0287		Hex Nut 1/4-20 Thd.*	99	710-0751		Shld. Spacer .50" Dia.
43	764-0411		Front Catcher Frame	100	711-0805		Hex Bolt 1/4-20 x .62" Lg. (Gr. 5)
44	749-0736A		Rear Catcher Frame	101	16855		Shld. Pin 3/8-24 x 1.43" Lg.
45	731-0859		Chute Deflector	102	17053A		Pawl Plate
46	731-0970B		Deflector Plug	103	741-0324		Chain Cover Ass'y.
47	731-0858		Seal—Extrusion	104	736-0160		Hex Flange Brg. .506" I.D.
48	720-0223		Grip	105	738-0719A		Fl-Wash. .531" I.D. x .93"
49	732-0580		Spring Lever	106	741-0522		Rear Axle Ass'y.
50	732-0578B		Torsion Spring—R.H.	107	17009		Hex Flange Bearing
51	732-0577B		Torsion Spring—L.H.	108	736-0498		Chain Axle Ass'y.
52	750-0566		Spacer .255" I.D.	109	748-0190		Internal L-Wash. 1/4" I.D.
53	12297B		Handle Brkt. Ass'y.—L.H.	110	732-0481		Spacer .513" I.D.
54	747-0698B		Hinge Pin 17.75" Lg.	111	750-0589		Extension Spring 3.8" Lg.
55	726-0106		Cap Speed Nut	112	754-0346		Spacer .325" I.D.
56	711-0805		Shld. Pin 3/8-24 x 1.43" Lg.	113	720-0224		V-Belt
57	736-0169		L-Wash. 3/8" I.D.*	114	714-0104		Grass Catcher Locking Knob
							Internal Cotter Pin 5/16" Dia.

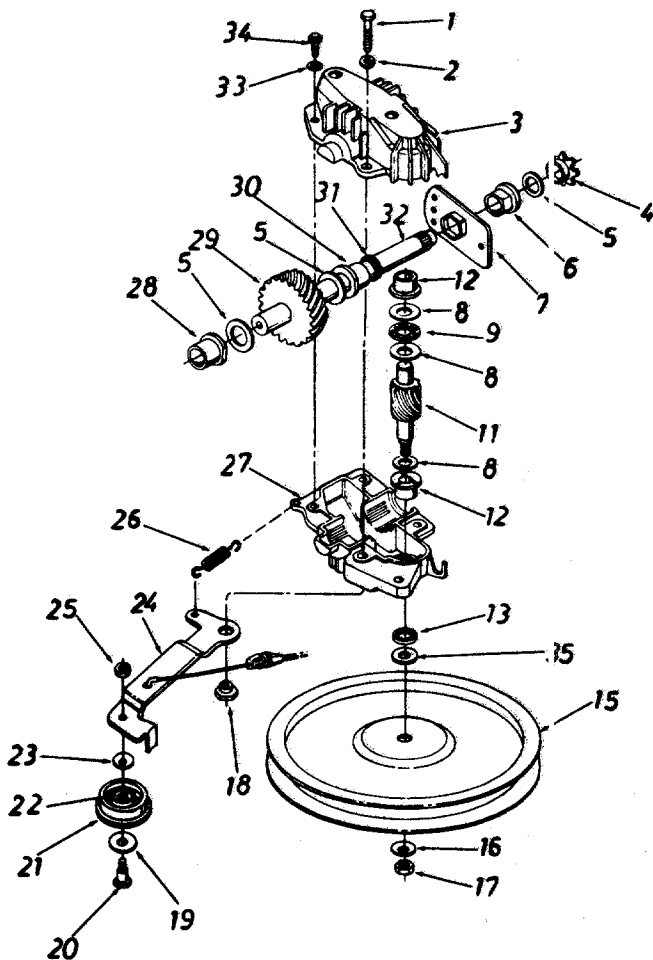
# Models 487 thru 488

## PARTS LIST FOR MODELS 487 THRU 488 ROTARY MOWERS (CONTINUED)

REF. NO.	PART NO.	CODE	DESCRIPTION	REF. NO.	PART NO.	CODE	DESCRIPTION
115	713-0353		#48 Chain .50" Pitch x 30 Links	124	731-0924		6-Speed Shift Lever
116	717-0417B		Transmission Comp. (See Breakdown)	125	732-0627		Shift Lever Spring
117	710-0892		Hex L-Wash. H.D. AB-Tap Scr. 1/4 x .62" Lg.	126	746-0706		Spd. Control Cable
118	736-0526		Wave Wash. .88" I.D. x 1.38" O.D.	127	17070		Adjustable Cable Brkt.
120	751B213146		Cable Clamp (488 Series)	128	747-0684		Shift Rod
	7510007755		Cable Clamp (487 Series)	129	736-0270		Bell-Wash. .265" I.D. x .75"
121	710-1237		Hex Self-Tap Scr. #10-32 x .62" Lg. (438 Series)	130	712-0291		Hex Cent. L-Nut 1/4-20 Thd.
	710-0871		Hex Sems Scr. #10-32 x .38" Lg. (487 Series)	131	714-0507		Cot-Pin 3/32" Dia. x .75" Lg.
122	16864		6-Speed Rack Cable Erkt.	132	656-0611		Pulley Ass'y.
123	713-0397		3 Tooth Rack Gear Insert	133	710-0167		Carr. Bolt 1/4-20 x .5" Lg.
				135	731-1137		Flanged Bushing
				136	736-0278		FI-Wash. .328" I.D. x .68" O.D.
				137	682-7514		Housing Ass'y.

# Models 487 thru 488

## PARTS LIST FOR MODELS 487 THRU 488 ROTARY MOWERS

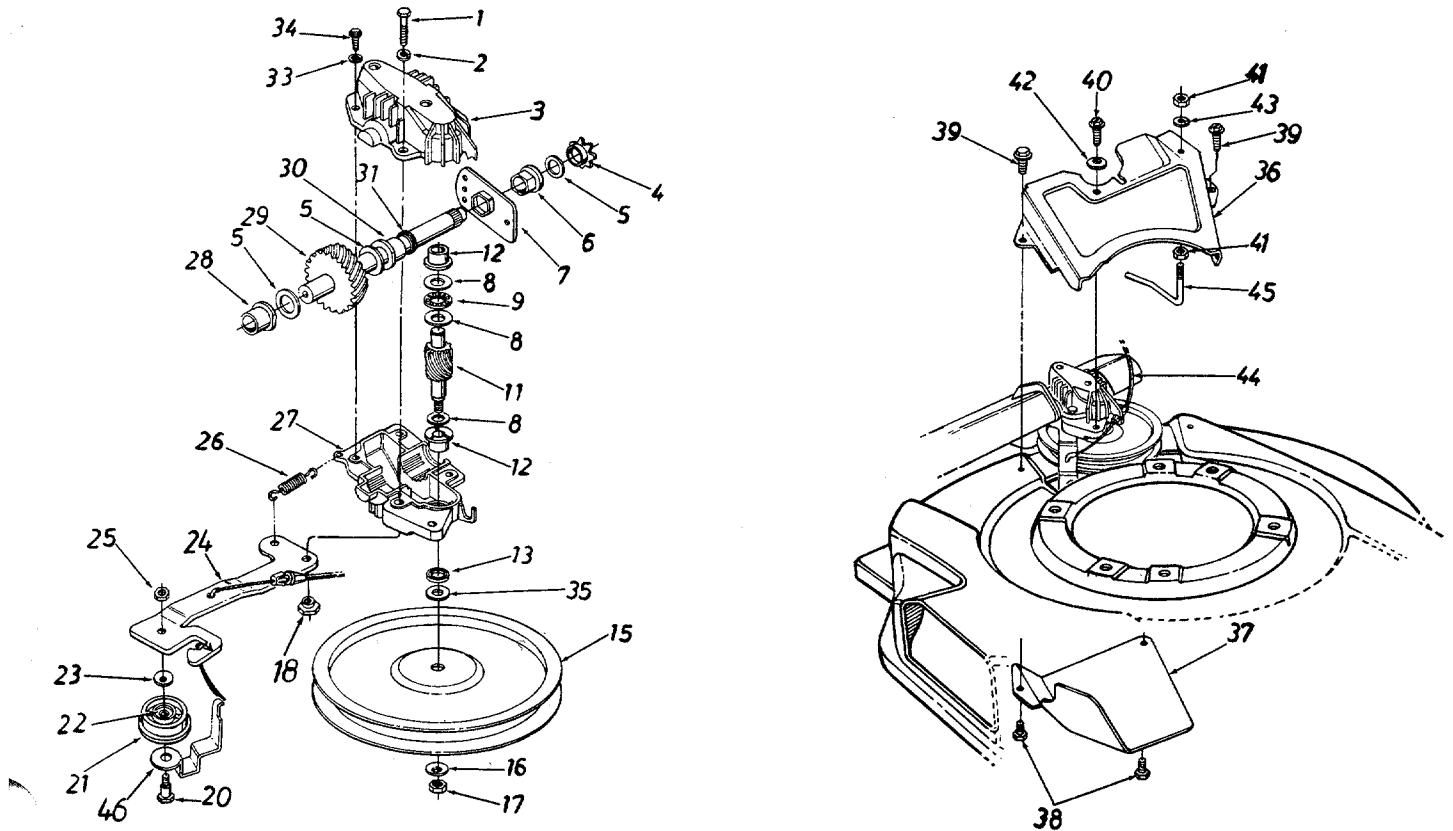


†Not Part of Transmission Complete

REF. NO.	PART NO.	CODE	DESCRIPTION
1	710-1062		Hex Bolt 1/4-20 x 1.25" Lg. w/Patch
2	736-0329		L-Wash. 1/4" I.D.*
3	717-0418A		Upper Hsg. Half
4	713-0400		#48 Sprocket 7 Tooth x 1/2 Pitch
5	736-0336		FI-Wash. 5/8" I.D. x .030
6	741-0413		Hex Flange Brg. .631" I.D.
7	16500A		Hex Bearing Cup
8	736-0314		Thrust Wash. .382" I.D. x .70" O.D.
9	741-0479		Thrust Bearing .375" I.D. x .812" O.D.
11	717-1216		11 Tooth Pinion Shaft
12	748-0208A		Flange Bearing
13	721-0212		Oil Seal
15	756-0330A		FI-Pulley 5.06" O.D.†
16	736-0270		Bell-Wash. .265" I.D. x .75"†
17	712-0351		Hex L-Nut 1/4-28 L.H. Thd.†
18	738-0440		Shld. Spacer .375" Dia. x .170"†
20	738-0826		Shld. Bolt .375" Dia. x .40"†
21	656-0008		FI-Idler Plastic 1.50" Dia. (Incl Ref. #22)†
22	741-0556		Needle Brg. .375" x .31"†
23	736-0270		Bell-Wash. .265" I.D. x .75"†
24	782-7570	N	Idler Brkt. Ass'y.†
25	712-0138		Hex Patch L-Nut 1/4-28 Thd.†
26	732-0357A		Extension Spring 1.12" Lg.†
27	717-0419A		Lower Hsg. Half
28	741-0415		Flange Bearing .566 Dia.
29	717-0616		Shaft Ass'y.
30	741-0414		Flange Bearing .629 Dia.
31	721-0213		Oil Seal .625 Dia.
33	736-0722		L-Wash. #10 I.D.
34	710-0436		Hex B-Tap Scr. #10 x .62"
35	736-0410		Hex Washer .26" x .88"†
36	782-7569	N	Belt Keeper†
—	717-0417B		Transmission Comp.



# Model 528



## PARTS LIST FOR MODEL 528 ROTARY MOWER

REF. NO.	PART NO.	CODE	DESCRIPTION	REF. NO.	PART NO.	CODE	DESCRIPTION
1	710-1062		Hex Patch Bolt 1/4-20 x 1.25" Lg.	24	782-7570	N	Idler Brk't. Ass'y.†
2	726-0329		L-Wash. 1/4" I.D.*	25	712-0138		Hex Patch L-Nut 1/4-28 Thd.†
3	717-0418A		Upper Hsg. Half	26	732-0357A		Extension Spring 1.12" Lg.†
4	713-0400		#48 Sprocket 7 Tooth x 1/2 Pitch	27	717-0419A		Lower Hsg. Half
5	736-0336		Fl-Wash. 5/8" I.D. x .030	28	741-0415		Flange Bearing .56 Dia.
6	741-0413		Hex Flange Brg. .631" I.D.	29	717-0616		Shaft Ass'y.
7	16500A		Hex Bearing Cup	30	741-0414		Flange Bearing .629 Dia.
8	736-0314		Thrust Wash. .382" I.D. x .70" O.D.	31	721-0213		Oil Seal .625 Dia.
9	741-0479		Thrust Bearing .375" I.D. x .812" O.D.	33	736-0722		L-Wash. #10 I.D.
11	717-1216		11 Tooth Helical Gear	34	710-0436		Hex B-Tap Scr. #10 x .62"
12	748-0208A		Flange Bearing	35	736-0410		Hex Washer .26" x .88"†
13	721-0212		Oil Seal	36	17718		Transmission Belt Guard†
15	756-0330A		Fl-Pulley 5.06" I.D.†	37	17064		Belt Cover
16	736-0270		Bell-Wash. .265" I.D. x .75"†	38	710-0352		Hex B-Tap Scr. 1/4 x .38" Lg.†
17	712-0351		Hex Nut 1/4-28 L.H. Thd.†	39	710-0599		Hex AB-Tap Scr. 1/4 x .50" Lg.†
18	738-0440		Shld. Spacer .375" Dia. x .170"†	40	710-0896		Hex B-Tap Scr. 1/4 x .62" Lg.
20	738-0826		Shld. Bolt .375" Dia. x .40"†	41	712-0287		Hex Nut 1/4-20 Thd.*†
21	656-0008		Fl-Idler Plastic 1.50" Dia. (Incl. Ref. No. 22)†	42	736-0270		Bell-Wash. .265" I.D. x .75"†
22	741-0556		Needle Brg. .375" x .375"†	43	736-0329		L-Wash. 1/4" I.D.*†
23	736-0270		Bell-Wash. .265" I.D. x .75"†	44	746-0710A		S.P. Cable—48" Lg.†
				45	747-0549		S.P. Belt Guard†
				46	782-7569	N	Belt Keeper†
				—	717-0417B		Transmission Comp.

†Not Part of Transmission Complete

# Model 528

## \*\*FRONT WHEEL CHART

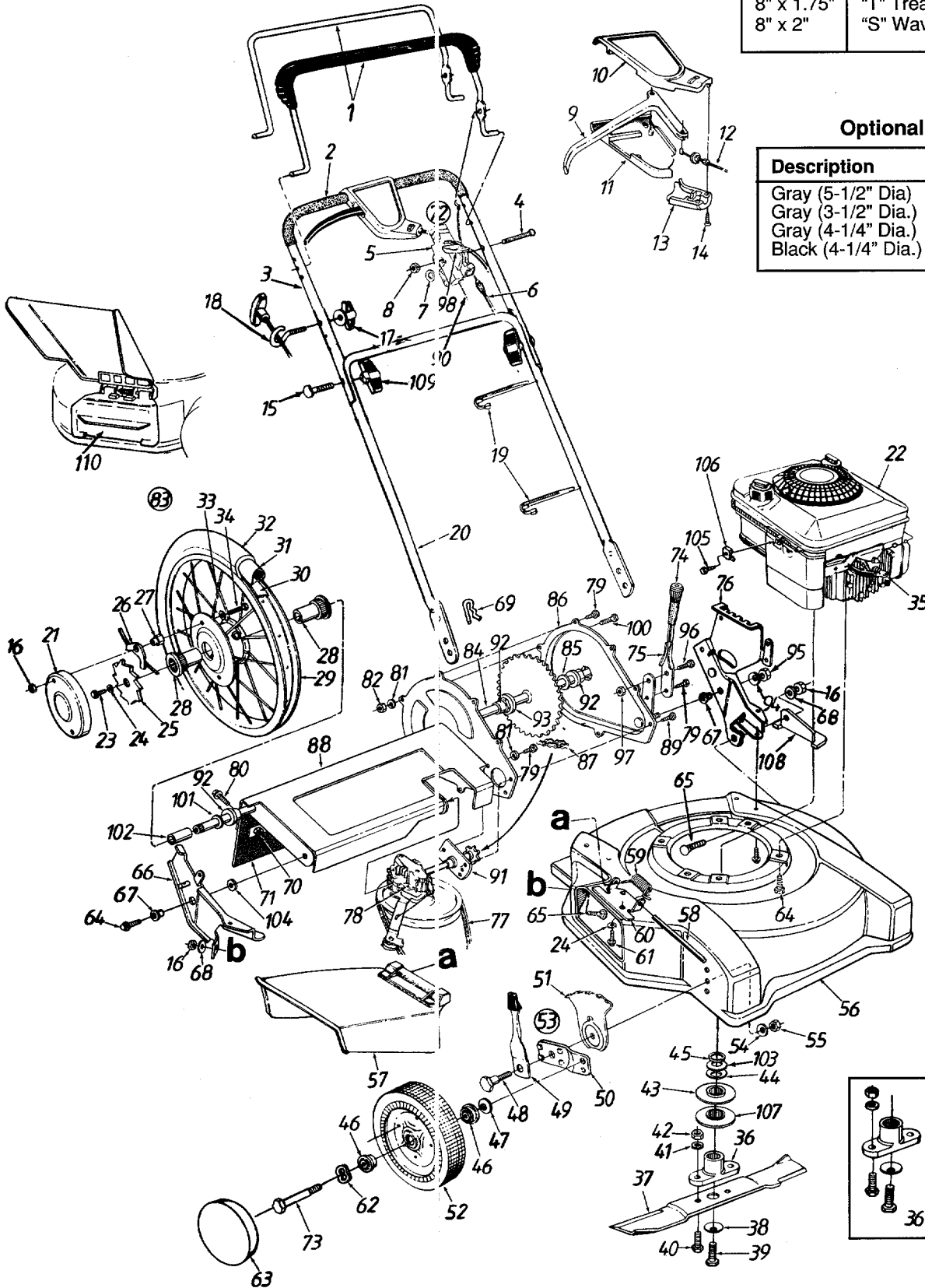
Optional Grass Catcher—Model 190-110-000  
 Optional Mulching Kit—Model 190-100-000

Bar Tread		"T" Tread		"S" Wave Tread	
-----------	--	-----------	---	----------------	---

Size	Tread Type	Part No.
8" x 1.75"	Bar Tread	634-0020
8" x 1.75"	"T" Tread	734-1268
8" x 2"	"S" Wave	734-1512A

### Optional Hub Caps

Description	Part No.
Gray (5-1/2" Dia.)	731-0981A
Gray (3-1/2" Dia.)	720-0249
Gray (4-1/4" Dia.)	731-0355A
Black (4-1/4" Dia.)	731-0354

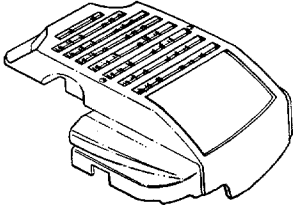
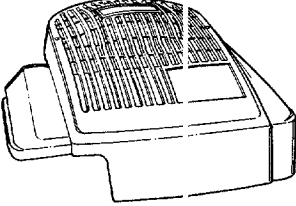
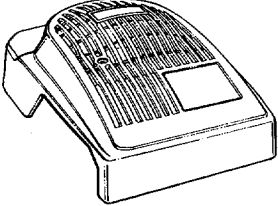
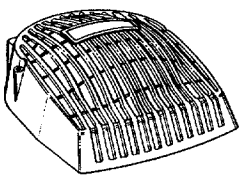
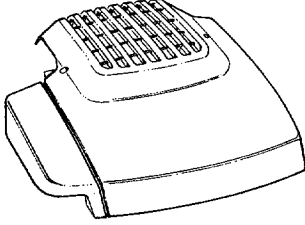
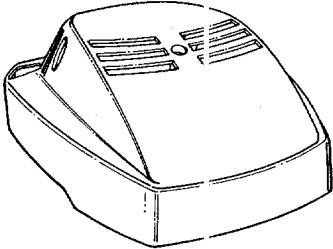
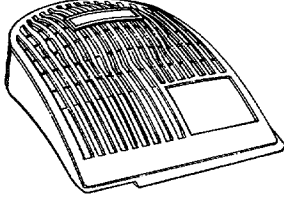
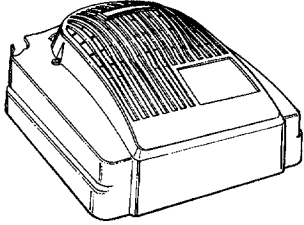


# Model 528

## PARTS LIST FOR MODEL 528 ROTARY MOWER

EF. NO.	PART NO.	CODE	DESCRIPTION	REF. NO.	PART NO.	CODE	DESCRIPTION
1	647-0004		Control Handle Ass'y. (Deluxe)	56	682-0001A		22" Deck Ass'y.
	747-0824		Control Handle Ass'y. (Std.)	57	731-1034		Chute Deflector Ass'y.
2	720-0225		Foam Grip (Optional)	58	747-0710		Hinge Pin
3	749-0539B		Upper Handle	59	732-0593		Torsion Spring
4	710-0605		Oval C-Sunk Scr.	60	17032		Adapter Plate
5	646-0875		Throttle Body	61	710-0599		Hex TT-Tap Scr. 1/4-20 x .5"
6	746-0550		Control Cable—39" Lg.	62	736-0504		Wave Wash. .51" I.D. x .78"
7	736-0501		Spring Wash. .66" I.D.				(Used w/Ref. 46)
8	712-0324		Hex L-Nut 1/4-20 Thd.	63	See Chart		Hub Cap (Optional)
9	731-0620		Control Lever	64	710-0654A		Hex TT-Tap Scr. 3/8-16 x 1"
10	731-1057		Control Cover Half—Upper	65	710-0260		Carriage Bolt 5/16-18 x .62" Lg.
11	731-1058		Control Cover Half—Lower	66	16136C	N	Handle Brkt. Ass'y.—R.H.
12	746-0710A		Self-Propelled Cable—48" Lg.	67	750-0624		Shld. Spacer .5" x .10"
13	731-1059		Cable Mounting Cap	68	736-0242		Bell-Wash. 5/16" I.D.
14	710-0841		FI-"C" Sunk Hd. Tap Scr. #10 x .75" Lg.	69	714-0104		Intern. Cotter Pin 5/16" Dia.
				70	16563A		Retaining Strip
15	710-1174		Curved Hd. Bolt 5/16-18 x 2" Lg.	71	731-1172		Rear Flap
16	712-0267		Hex Nut 5/16-18 Thd.*	72	811-00185		Throttle Box Comp. (Incl. Ref. 4, 5, 7, 8, 98)
17	720-0279		Handle Knob 1/4-20 Thd.				Front Axle Bolt
18	710-1205		Rope Guide	73	738-0102		Grip
19	726-0240		Cable Tie	74	720-0223		Height Adjustment Lever
20	<del>740-0020</del>		Lower Handle	75	732-0655		Handle Brkt. Ass'y.—L.H.
21	14967		Wheel Cover	76	682-3004		"V" Belt
22	—		Engine	77	754-0369		Transmission Comp.
23	710-0812		Hex Bolt 1/4-20 x .75" Lg. (Gr. 5)	78	717-0417B		(See Breakdown)
24	736-0270		Bell-Wash. 1/4" I.D.				Hex Tap Scr. 1/4 x .38" Lg.
25	748-0312		Wheel Ratchet	79	710-0653		Hex Tap Scr. 1/4 x .62" Lg.
26	748-0315		Pawl and Spring Ass'y.	80	710-0896		L-Wash. 1/4" I.D.*
27	712-0329		Special Hex Nut 5/16-18 Thd.	81	736-0329		Hex Nut 1/4-20 Thd.*
28	741-0485		Flange Bearing .63" I.D.	82	712-0287		Wheel Ass'y. Comp.
29	734-1399		Rim Ass'y. Only 16" x 2.1"	83	734-1398		Sprocket and Axle Ass'y.
30	734-1400		Rimstrip 16" x 7/8"	84	713-0425		FI-Wash. .635" I.D. x 1.0" O.D.
31	734-1397		Inner Tube 16" x 2.12"	85	736-0256		Chaincase and Arm Ass'y.
32	734-1396		Chevron Tire 16" x 2.125"	86	682-7501		#48 Chain 1/2" Pitch x 52 Links
33	736-0104		Intern. L-Wash. 5/16" I.D.	87	713-0257		Rear Drive Support Ass'y.
34	710-0376		Hex Bolt 5/16-18 x 1.0" (Gr. 5)	88	682-7500		Hex Wash. Hd. TT-Tap Scr. 1/4-20 x .5" Lg.
35	735-0639		Spark Plug Boot (Optional)	89	710-0599		Throttle Cable
36	753-0484		Blade Adapter Kit				Hex Bearing Cup
37	742-0622		22" Blade	90	746-0843		Hex Flange Brg. .631" I.D.
	742-0722		22" Mulching Blade (Optional)	91	16500A		Spacer .63" I.D. x 1.25"
38	736-0452		Bell-Wash. .39" I.D.	92	741-0413		FI-Wash. .385" I.D. x .87" O.D.
39	710-1044		Hex Bolt 3/8-24 x 1.5" Lg.	93	748-0313		Hex L-Nut 3/8-24 Thd.
40	710-1055		Hex Bolt 3/8-24 x 1" Lg.	94	736-0300		Hex Bolt 3/8-16 x .62" Lg.
41	736-0169		L-Wash. 3/8" I.D.*	95	712-0296		Flanged L-Nut 3/8-16 Thd.
42	712-0241		Hex Nut 3/8-24 Thd.*	96	710-0201		Throttle Lever
43	756-0962		Upper Pulley Half	97	712-0431		Hex B-Tap Scr. 5/16-18 x .5"
44	736-0514		FI-Wash. .88" I.D.	98	746-0876		Hex Bolt 1/4-20 x .5" Lg.
45	748-0358		Crankshaft Spacer	99	710-0603		FI-Wash. .632" I.D. x .943"
46	741-0484		Ball Bearing 1/2" I.D. (Optional)	100	710-0289		Spacer .628" I.D. x .875"
47	736-0105		Bell-Wash. .38" I.D.	101	736-0302		Spr. Wash. .89" I.D.
48	738-0507B		Shld. Bolt .5"	102	750-0547		FI-Wash. .38" I.D. x 1" O.D.
49	14832		Spring Lever Ass'y. w/Knob	103	736-0513		Wash. Hd. Scr. #10-32 x .62" Lg.
50	15262B		Pivot Bar	104	736-0258		Casing Clamp
51	15261A		Height Adj. Plate	105	710-1237		Lower Pulley Half
52	**		Wheel Ass'y. Comp.	106	751B213146		Deck Bracket
53	14578		Height Adj. Ass'y. Comp.—R.H.	107	756-0961		Hand Knob
	14579		Height Adj. Ass'y. Comp.—L.H.	108	784-9014		Mulching Baffle (Optional)
			(Not Shown)	109	720-0276		
4	736-0356		Bell-Wash. .39" I.D. x 1.38"	110	731-1386A		
35	712-0798		Hex Nut 3/8-16 Thd.*				

# OPTIONAL ENGINE SHROUDS

							
<b>Part No.</b> 751B281439 751B281440 751B281443	<b>Color</b> Dark Red Black Bright Red	<b>Part No.</b> 731-1395 731-1396 731-1397	<b>Color</b> Red Black Gray	<b>Part No.</b> 731-1587 731-1603 731-1610	<b>Color</b> Black Yellow Pewter	<b>Part No.</b> 731-1561 731-1612	<b>Color</b> Black Red
<b>Hardware:</b> 710-1256 (Screw)		<b>Hardware:</b> 710-1256 (Screw)		<b>Hardware:</b> 710-1184 (Screw)		<b>Hardware:</b> 7510042823 (Screw)	
							
<b>Part No.</b> 731-1402	<b>Color</b> Yellow	<b>Part No.</b> 7510014308	<b>Color</b> Black	<b>Part No.</b> 731-1585	<b>Color</b> Black	<b>Part No.</b> 731-1586	<b>Color</b> Black
<b>Hardware:</b> 710-1256 (Screw)		<b>Hardware:</b> 7510042823 (Screw)		<b>Hardware:</b> 710-1274 (Screw)		<b>Hardware:</b> 7510042823 (Screw)	