



Enduro 250

Ice Drink Dispenser



Features:

- Available with six, eight or ten UF-1 sanitary lever or push button valves
- Illuminated merchandiser delivers high impact marketing message
- Coldplate to valve manifolding design allows for any combination of carbonated or non-carbonated flavors
- Gravity ice dispensing with positive shut-off provides excellent ice targeting
- Ice used to cool cold plate is separate from ice dispensed into cups
- One piece ABS thermoformed plastic ice storage hopper (Durabide™ design) provides durability and ensures all ice in the hopper is dispensable
- Unit readily accepts top mount cubers with manual ice fill capability
- Stainless steel cabinet
- Modular design allows for easy component access from the front of the unit



Enduro 250

Technical Specifications:

Ice Storage Capacity: 250 lbs. (113.40 kg)

Ice Beverage Manifolding: 6 valve: 3-1-2
8 valve: 2-2-1-3
10 valve: 2-3-1-4

Cup Clearance: 10" (25.40 cm)

Cooling Capacity: Ten 12 oz. drinks / minute @ 75°F

Drain Connection: .75" PVC (NPT) or 1"
ID flexible tubing

Graphic Dimensions:

Overall Size: Height 15.083 x Width 24.79

View Size: Height 14.59 x Width 24.17

Standard Features: Beverage key switch, 4" legs
timed ice agitation

Electrical Rating: 115V / 60Hz / 3.5 A

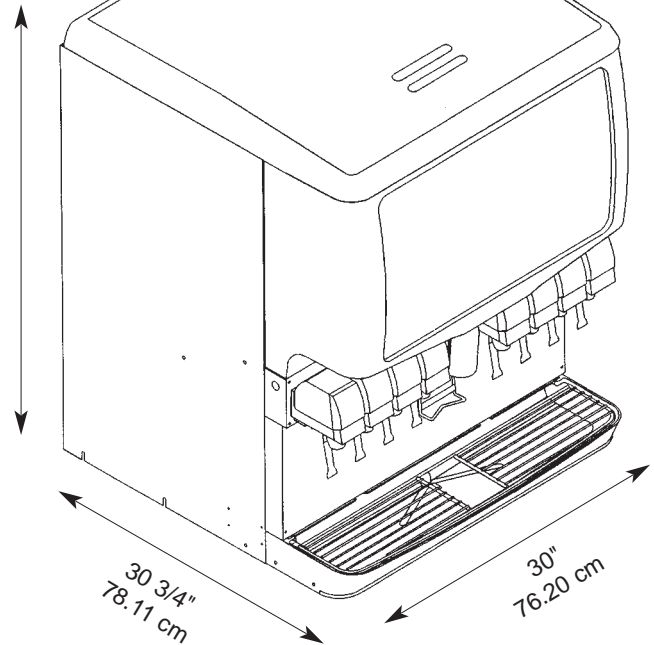
Shipping Weight: 340 lbs. (154.22 kg)

Agency Listings:



City of New York
City of Los Angeles

39 5/8"
100.65 cm



30 3/4"
78.11 cm

30"
76.20 cm

| Model No. | Part No. | Description |
|------------|-----------|---|
| Enduro 250 | 0528549 | Ice Drink Dispenser with 8 UF-1 3.0 oz. / Push Button Valves |
| Enduro 250 | 621052807 | Ice Drink Dispenser with 8 UF-1 4.5 oz. / Sanitary Lever |
| Enduro 250 | 0528552 | Ice Drink Dispenser with 8 UF-1 4.5 oz. / Push Button Valves |
| Enduro 250 | 0528449 | Ice Drink Dispenser with 10 UF-1 3.0 oz. / Push Button Valves |
| Enduro 250 | 621052806 | Ice Drink Dispenser with 8 UF-1 4.5 oz. / Sanitary Lever |
| Enduro 250 | 0528452 | Ice Drink Dispenser with 10 UF-1 4.5 oz. / Push Button Valves |
| | 3473 | Drink dispenser stand for Enduro 200 or Enduro 250 Dimensions: Height 30" Width 30" Depth 30" |

For Ice Machine adapter kits, please see price book.



For more information or to place an order, contact your sales representative or authorized distributor.
www.cornelius.com

In the US:
Phone: 1-800-238-3600
Fax: 1-800-535-4235
Outside the US:
Phone: 1-763-421-6120
Fax: 1-763-422-3297

IMI Cornelius Inc.
One Cornelius Place
Anoka, MN 55303-6234
USA