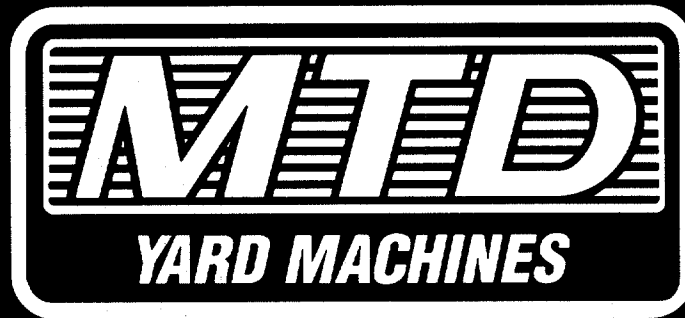


ILLUSTRATED PARTS

AMERICAN  AMERICAN
M A D E O W N E D
OUTDOOR POWER EQUIPMENT



1995

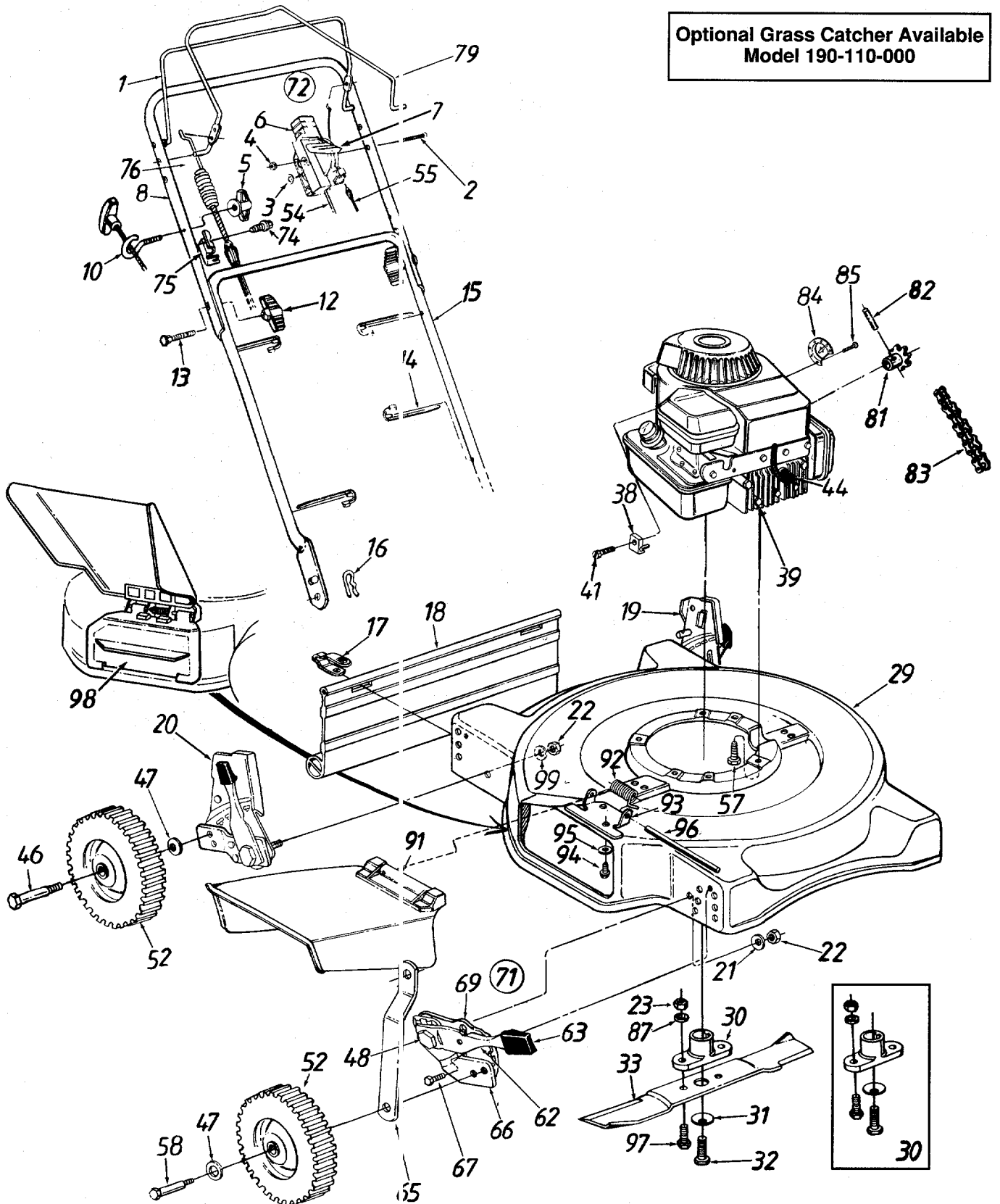
Self-Propelled Mowers

Model Number	Pages
125-260B000 thru 125-262C000	2-4
125-280B000 and 125-281C000	5-7
125-448A000 thru 125-458B000	8-10
Engine Shrouds	11

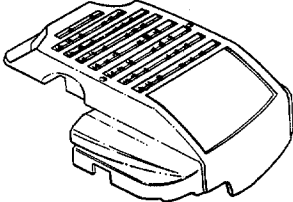
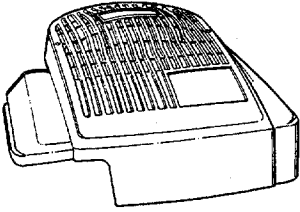
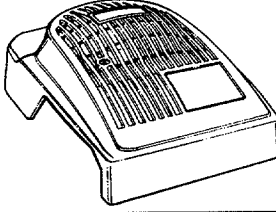
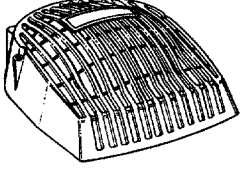
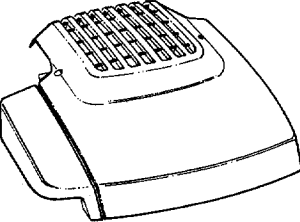
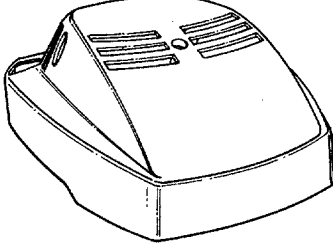
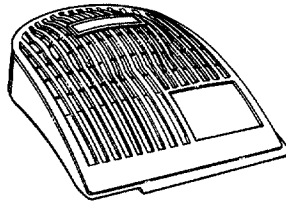
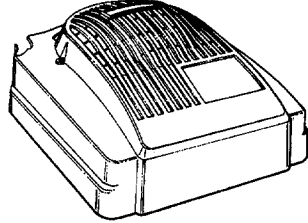


Models 260 and 262

Optional Grass Catcher Available
Model 190-110-000



OPTIONAL ENGINE SHROUDS

							
Part No. 751B281439 751B281440 751B281443	Color Dark Red Black Bright Red	Part No. 731-1395 731-1396 731-1397	Color Red Black Gray	Part No. 731-1587 731-1603 731-1610	Color Black Yellow Pewter	Part No. 731-1561 731-1612	Color Black Red
Hardware: 710-1256 (Screw)		Hardware: 710-1256 (Screw)		Hardware: 710-1184 (Screw)		Hardware: 7510042823 (Screw)	
							
Part No. 731-1402	Color Yellow	Part No. 7510014308	Color Black	Part No. 731-1585	Color Black	Part No. 731-1586	Color Black
Hardware: 710-1256 (Screw)		Hardware: 7510042823 (Screw)		Hardware: 710-1274 (Screw)		Hardware: 7510042823 (Screw)	

Models 260 and 262

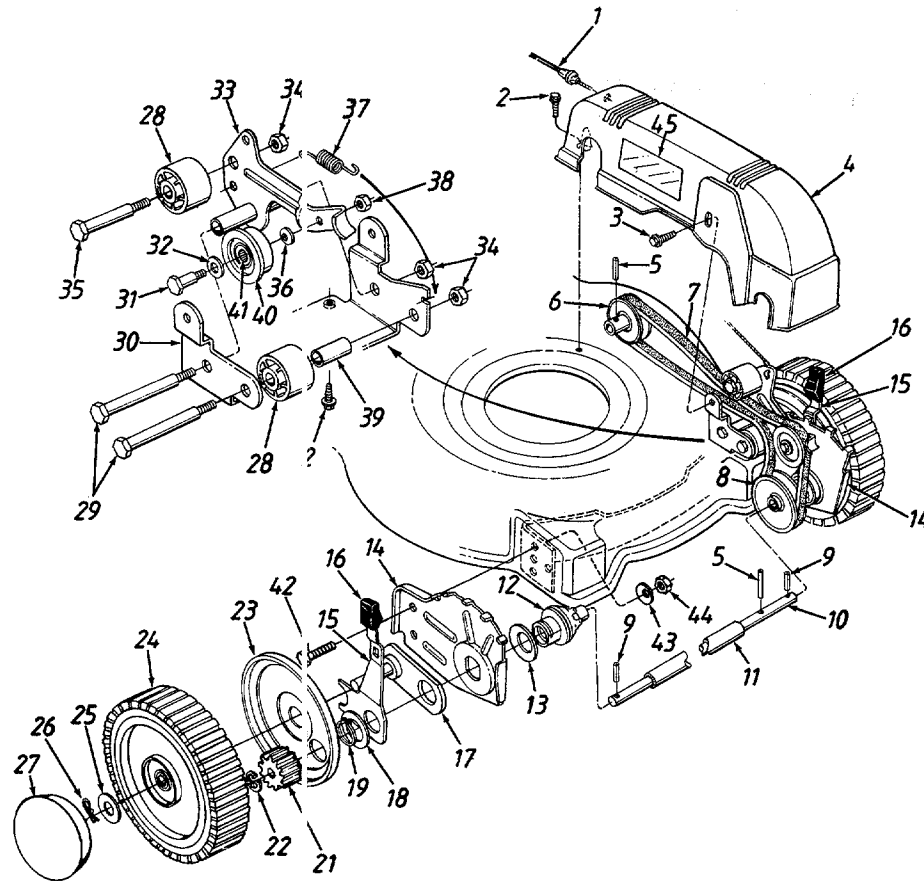
PARTS LIST FOR MODELS 260 AND 262 ROTARY MOWERS

REF. NO.	PART NO.	CODE	DESCRIPTION	REF. NO.	PART NO.	CODE	DESCRIPTION
1	747-0824		Control Handle	54	746-0842		Throttle Control Wire—51"
2	710-0602		Oval C-Sunk Mach. Scr.	55	746-0550		Control Cable—51"
3	736-0501		Spr. Wash. .66" I.D.	57	710-0654A		Hex L-Wash. Hd. Scr. 3/8-16 x 1.0" Lg.
4	712-0324		Hex L-Nut 1/4-20 Thd.				
5	720-0279		Handle Knob 1/4-20 Thd.	58	738-0102		Rear Axle Bolt
6	646-0875		Throttle Body	62	732-0417A		Spring Lever
7	746-0876		Throttle Lever	63	720-0190		Spring Lever Knob
8	749-0824		Upper Handle	64	736-0192		Fl-Wash. .531" I.D. x .93"
10	710-1205		Rope Guide	65	16532B		Link 5.3" Lg.
12	720-0276		Hand Knob	66	14765		Pivot Bar R.H.
13	710-1174		Curved Hd. Bolt 5/16-18 x 2" Lg.		14766		Pivot Bar L.H. (Not Shown)
14	726-0240		Cable Tie	67	710-0896		Hex L-Wash. Hd. AB-Tap Scr. 1/4 x .62" Lg.
15	749-0928		Lower Handle				
16	714-0104		Hairpin Cotter	69	14764C		Index Plate
17	17098		Hinge Clip	71	16106		Front Height Adj. Ass'y.—R.H.
18	731-1029		Rear Flap		16107		Front Height Adj. Ass'y.—L.H. (Not Shown)
19	682-3025		Handle Bracket Ass'y.—L.H.				
20	682-3024		Handle Bracket Ass'y.—R.H.	72	811-00185		Throttle Box Comp. (Incl. Ref. 2, 3, 4, 6, 7)
21	736-0105		Bell-Wash. .39" I.D. x 1.38"				
22	712-0798		Hex Nut 3/8-16 Thd.*	74	710-0726		Hex Wash. AB-Tap Scr. 5/16 x .75" Lg.
23	712-0241		Hex Nut 3/8-24 Thd.				
29	682-0221		22" Deck Ass'y.	75	16309A		Cable Brkt.
30	753-0484		Blade Adapter Kit	76	746-0626		Clutch Cable w/Spring—47"
31	736-0452		Bell-Wash. .39" I.D.	79	747-0854		S.P. Bail Ass'y.
32	710-1044		Hex Bolt 3/8-24 x 1.5" Lg.	81	713-0449	N	9 Tooth Sprocket Ass'y.
33	742-0622		22" Blade	82	715-0247		Spring Pin Spir. 3/16" Dia. x 1" Lg.
	742-0722		22" Mulching Blade (Optional)††				
38	751B213146		Cable Clamp	83	713-0311		#48 Chain 1/2" Pitch 50 Links (Endless)
39	—		Engine				
41	710-1237		Hex Wash. Hd. Scr. #10-32 x .62" Lg.	84	751-0345A		Exhaust Deflector
				85	710-0227		Hex AB-Tap Scr. #8 x .5" Lg.
44	735-0639		Spark Plug Boot (Optional)	87	736-0169		L-Wash. 3/8" I.D.*
46	738-0144		Front Axle Bolt	91	731-1034		Chute Deflector Ass'y.
47	736-0105		Bell-Wash. .400" I.D. x .88"	92	732-0593		Torsion Spring
48	738-0507B		Shld. Bolt .50" Dia. x .357"	93	17032		Adapter Plate
49	14832		Spring Lever Ass'y. w/Knob	94	710-0599		Hex Self-Tap Scr. 1/4-20 x .5" Lg.
50	15262B		Pivot Bar	95	736-0270		Bell-Wash. 1/4" I.D.
51	15261A		Height Adj. Plate	96	747-0710		Hinge Pin
52	734-1174A		Front Wheel Ass'y. Comp.	97	710-1055		Hex Bolt 3/8-24 x 1" Lg.
53	14578		Height Adj. Ass'y. Comp.—R.H.	98	731-1386A		Mulching Plug (Optional)††
	14579		Height Adj. Ass'y. Comp.—L.H. (Not Shown)	99	736-0356		Bell-Wash. .39" I.D. x 1.38" O.D.

*For faster service obtain standard nuts, bolts and washers locally. If these items cannot be obtained locally, order by part number and size as shown on parts list.

††Part of Optional Mulching Kit—Model 190-100-000.

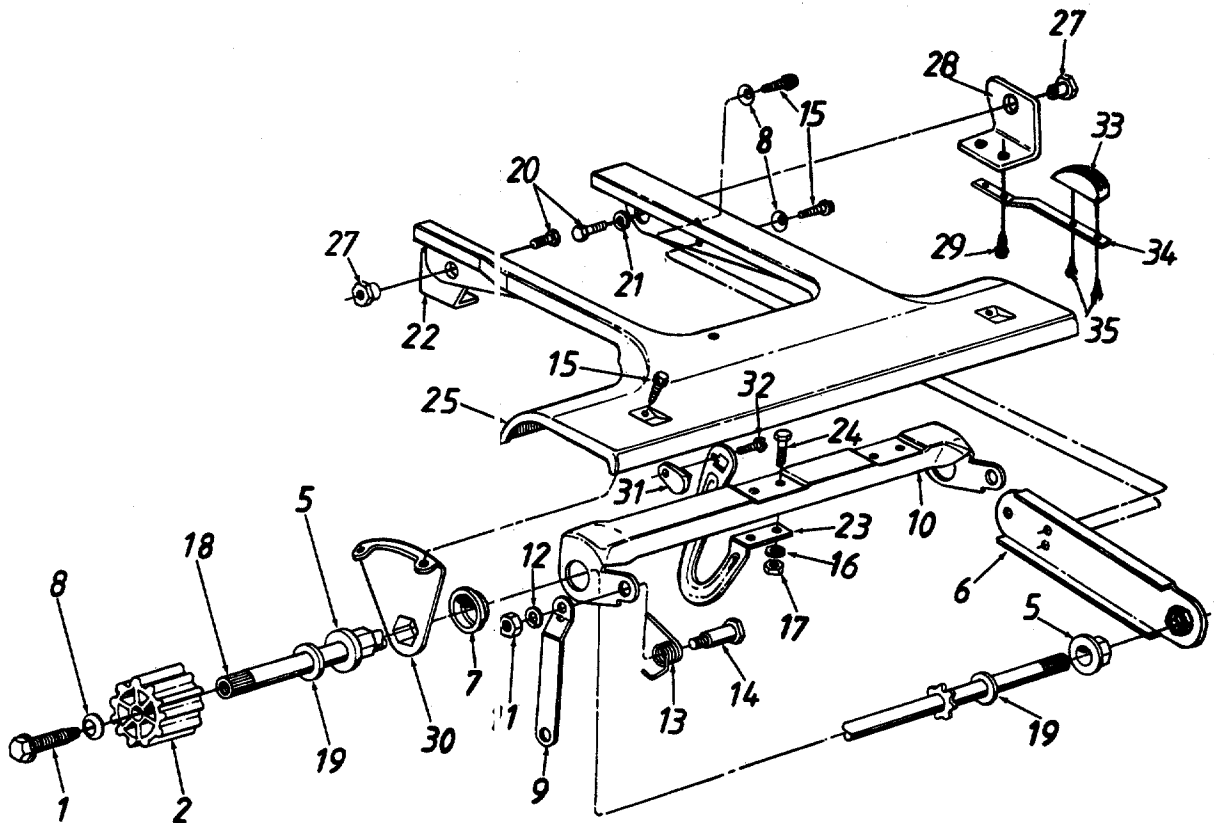
Models 448 thru 458



PARTS LIST FOR MODELS 448 THRU 458 ROTARY MOWERS

REF. NO.	PART NO.	CODE	DESCRIPTION	REF. NO.	PART NO.	CODE	DESCRIPTION
1	746-0906		S.P. Cable 44.75" Lg.	22	716-0104		E-Ring
2	710-0599		Hex Wash. Hd. TT-Tap Scr. 1/4-20 x .5" Lg.	23	782-7551		Wheel Dust Cap
3	710-0653		Hex Wash. Hd. Tap Scr. 1/4-20 x .38" Lg.	24	634-0021		Front Wheel Ass'y.
4	782-7550		Belt Cover	25	736-3013		FI-Wash. .531" I.D. x 1" O.D.
5	715-0246		Spring Pin 3/16" Dia. x 1.25" Lg.	26	714-0104		Hairpin Clip 5/16" Dia.
6	756-0963		3/8" "V"-Pulley 2.75" O.D.	27	720-0249		Hub Cap
7	754-0271		"V"-Belt	28	656-0010		Idler Ass'y.
8	756-0964		3/8" "V"-Pulley 2.44" O.D.	29	738-0873		Shld. Bolt .374" Dia. x 1.94"
9	715-0159		Spring Pin 3/16" Dia. x .875" Lg.	30	782-7524		Idler Pivot Brkt.
10	738-0872		Front Axle	31	738-0826		Shld. Bolt .375" Dia. x .4"
11	731-1361		Axle Shroud	32	736-0344		FI-Wash. .39" I.D. x 1" O.D.
12	682-0015		Front Bearing Ass'y.	33	682-0014		Idler Brkt. Ass'y.
13	736-0447		Wave-Wash. 1.01" I.D.	34	712-0271		Hex Sems Nut 1/4-20 Thd.
14	782-0512		Height Adj. Plate—R.H.	35	738-0572		Shld. Bolt 3/8" Dia. x 1.16"
	782-0511		Height Adj. Plate—L.H.	36	736-0270		Bell-Wash. .265" I.D. x .75" O.D.
15	732-0706		Spring Lever—R.H.	37	732-0709		Spring Extension 1.29" Lg.
	732-0707		Spring Lever—L.H.	38	712-0138		Hex Nut 1/4-28 Thd.
16	720-0190		Spring Lever Knob	39	750-0807		Spacer .385" I.D. x .625" O.D.
17	682-0509		Height Adj. Pivot Plate Ass'y.	40	756-0558		FI-Idler 1.5" O.D.
18	736-0474		DD Washer 1.5" O.D.	41	741-0556		Needle Brg. .375" I.D.
19	716-0102		Snap Ring	42	710-0201		Hex Bolt 3/8-16 x .62" Lg.
21	748-0357		14-T Spur Gear	43	736-0331		Bell-Wash. .39" I.D. x 1.13" O.D.
				44	712-0798		Hex Nut 3/8-16 Thd.*
				45	777-0671		Foil Label

Models 260 and 262



PARTS LIST FOR MODELS 260 AND 262 ROTARY MOWERS

REF. NO.	PART NO.	CODE	DESCRIPTION	REF. NO.	PART NO.	CODE	DESCRIPTION
1	710-1115		Hex Scr. 1/4-20 x .75" Lg. (Gr. 5)	18	638-0004	N	Drive Shaft Ass'y.
2	731-0908		Wheel Drive Pinion	19	736-0160		Fl-Wash. .531" I.D. x .93" O.D.
5	741-0503		Hex Flange Brg. .504" I.D.	20	710-0168		Hex Bolt 3/8-16 x .5" Lg.
6	17018		Hex Bearing Support	21	736-0169		L-Wash. 3/8" I.D.*
7	741-0504		Flange Bearing .879" I.D.	22	17616		Pivot Bracket—R.H.
8	736-0270		Bell-Wash. .265" I.D. x .75" O.D.	23	17185		Engagement Arm
9	16532B		Link 5.06" Lg.	24	710-0258		Hex Bolt 1/4-20 x .62" Lg.
10	16832A	N	Drive Engagement Cam	25	17725		Front Pinion Pivot Cover
11	712-0267		Hex Nut 5/16-18 Thd.*	27	738-0529		Shld. Nut .625" Dia. x .165"
12	736-0119		L-Wash. 5/16" I.D.*	28	17617		Pivot Bracket—L.H.
13	732-0569A		Torsion Spring—R.H.	29	710-0892		Hex Wash. Hd. AB-Tap Scr. 1/4 x .62" Lg.
	732-0570A		Torsion Spring—L.H. (Not Shown)	30	17017		Hex Bearing Axle Brkt.
14	738-0754		Shoulder Bolt .437" Dia.	31	746-0606		Barrel Cable Hold-Down—R.H.
15	710-0892		Hex Wash. Hd. AB-Tap Scr. 1/4 x .62" Lg.	32	710-0919		Hex B-Tap Scr. #10 x .44" Lg.
16	736-0329		L-Wash. 1/4" I.D.*	33	731-1136		Chain Tensioner
17	712-0287		Hex Nut 1/4-20 Thd.*	34	732-0635		Cantilever Spring
				35	710-0429		Hex B-Tap Scr. #10 x .38" Lg.

*For faster service obtain standard nuts, bolts and washers locally.
If these items cannot be obtained locally, order by part number and size as shown on parts list.

Models 448 thru 458

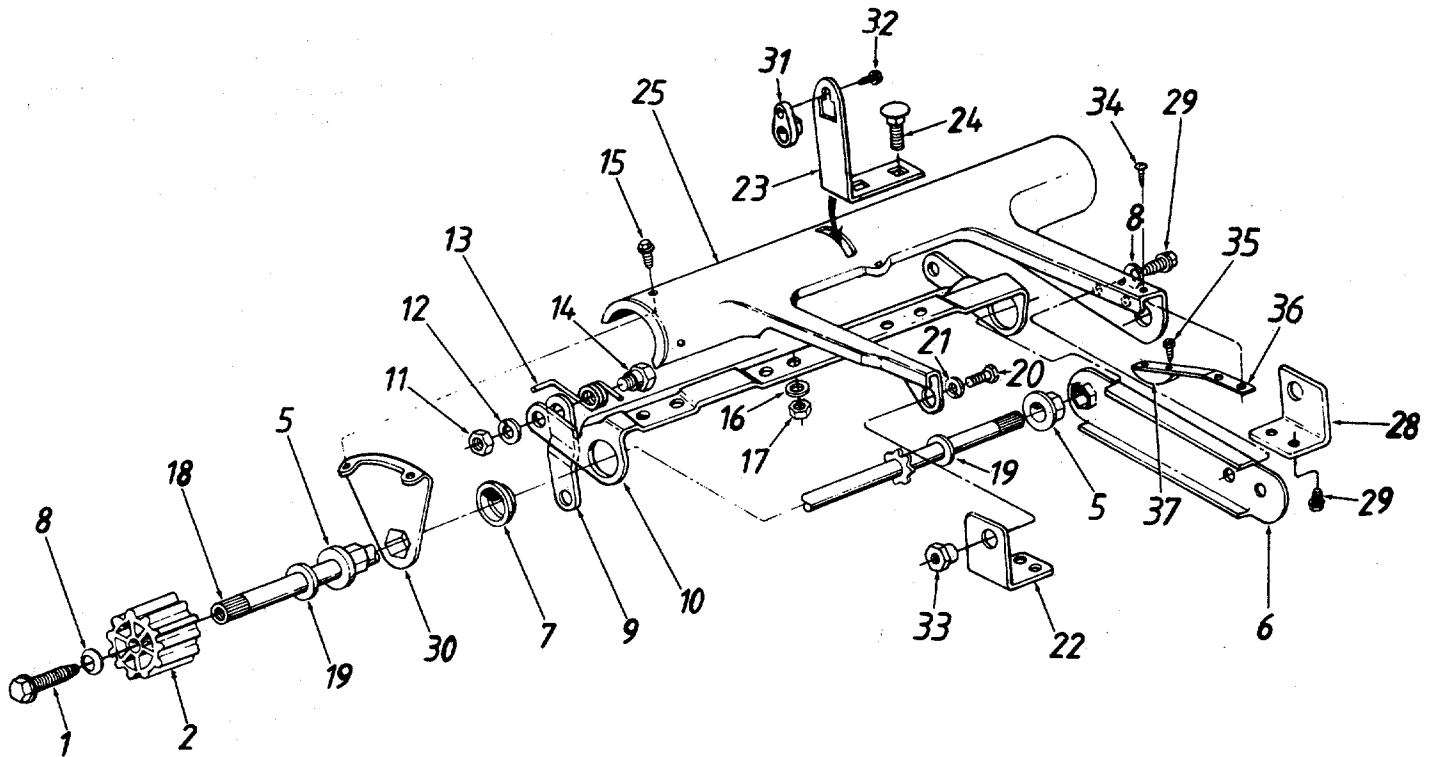
PARTS LIST FOR MODELS 448 THRU 458 ROTARY MOWERS

REF. NO.	PART NO.	CODE	DESCRIPTION	REF. NO.	PART NO.	CODE	DESCRIPTION
1	747-0824		Control Handle Ass'y.	48	732-0417A		Spring Lever
2	710-1205		Rope Guide	50	14765		Pivot Bar
3	720-0279		Handle Knob 1/4-20 Thd.	51	782-5002		Front Baffle
4	710-1174		Curved Hd. Bolt 5/16-18 x 2" Lg.	52	710-0654A		Hex L-Wash. Hd. Scr. 3/8-16 x 1" Lg.
6	720-0276		Hand Knob				Rear Baffle
7	710-0605		Oval C-Sunk Mach. Scr.	53	782-5003		Torx Mach. AB-Tap Scr. 1/4 x .62" Lg.
8	736-0501		Spr. Wash. .66" I.D.	54	710-1017		Hex L-Wash. Hd. AB-Tap Scr. 1/4 x .62" Lg.
9	712-0324		Hex L-Nut 1/4-20 Thd.				Handle Brkt. Ass'y.—R.H.
10	746-0876		Throttle Lever	55	710-0892		Handle Brkt. Ass'y.—L.H.
11	749-0538C		Upper Handle				21" R.D. Deck
12	720-0226		Foam Grip (Optional)	56	682-0514		Wheel Ass'y. Comp.
13	749-0928		Lower Handle	57	682-0513		Hub Cap 3-1/2" Dia. (Gray—Optional)
14	726-0240		Cable Tie	58	782-0020		Hub Cap 5-1/2" Dia. (Gray—Optional)
15	764-0310		Rear Catcher Frame	59	634-0020		Hub Cap 5-1/2" Dia. (Beige—Optional)
	746-0553		Control Cable—36" (448, 454, 456, 454, 458)	60	720-0249		Grass Bag††
	746-0737		Control Cable—51" (455)				Hard Top Cover††
17	746-0847		Throttle Control Wire—42" (455)		731-0981A		Pan Hd. Mach. Scr. 1/4-20 x .5" Lg.††
	746-0843		Throttle Control Wire—55" (448, 454, 456, 458)		731-0982A		Hex Nylon L-Nut 1/4-20 Thd.††
18	764-0311		Front Catcher Frame	61	764-0433		Mounting Bracket††
19	764-0309		Grass Bag†	62	731-1322		Mulching Baffle Plug (Optional)
	764-0476		Grass Bag (w/Logo)†	63	710-0286		Mulching Baffle—R.R. (Optional)
20	714-0104		Int. Cotter Pin 5/16" Dia.				Cable Mtg. Brkt.
21	732-0678		Door Spring—R.H.	64	712-0324		Hex Wash. AB-Tap Scr. 5/16" x .75" Lg.
22	732-0677		Door Spring—L.H.	65	782-9011		S.P. Cable 44.75" Lg.
23	782-7000		Rear Discharge Door	66	782-5007		Drive Control Lever
24	7510007755		Cable Clamp (455)	67	782-5004		Knob
	751B213146		Cable Clamp (B&S)	68	16309A		Truss Mach. Scr. #10-24 x .38" Lg.
25	646-0875		Throttle Body	69	710-0726		Pan Hd. Scr. #12 x 3/4" Lg.†††
26	811-00185		Throttle Box Comp. (Incl Ref. 7, 8, 9, 10, 25)	70	746-0906		Bell-Wash. 1/4" I.D.†††
27	—		Engine	71	747-0854		Charger†††
28	710-0871		Hex Sems Scr. #10-32 x .38" Lg. (455)	72	720-0275		Hex Nut 1/4-20 Thd.†††
	710-1237		Hex Wash. Hd. Scr. #10-32 x .62" Lg. (B&S)	73	710-0192		L-Wash. 1/4" I.D.*†††
29	735-0639		Spark Plug Boot (Optional)	74	710-1220		Lower Battery Tray†††
30	732-0700		Wire Rod	75	736-0270		Hex Cap Bolt 1/4-20 x 2" Lg.†††
31	731-1236		Rear Flap	76	725-0727		Curved Hd. Bolt 1/4-20 x 1.25" Lg.†††
32	753-0484		Blade Adapter Kit	77	712-0287		Battery Pack†††
33	710-1044		Hex Bolt 3/8-24 x 1.5" Lg.	78	736-0329		Upper Battery Tray†††
34	736-0452		Bell-Wash. .39" I.D.	79	782-9012		Key Switch†††
35	710-1055		Hex Bolt 3/8-24 x 1" Lg.	80	710-0501		Key†††
36	742-0621		21" Blade	81	710-0111		Fuse Holder†††
	742-0721		21" Mulching Blade (Optional)	82	725-1276		Plug†††
37	736-0169		L-Wash. 3/8" I.D.*	83	731-0891A		Harness
38	712-0241		Hex Nut 3/8-24 Thd.	84	725-0893		Fuse 7-1/2 Amp.
39	736-0356		Bell-Wash. .39" I.D. x 1.38"	85	725-0201		
40	712-0798		Hex Nut 3/8-16 Thd.*	86	725-1428		
44	738-0507B		Shld. Bolt .5" Dia. x .357"	87	725-1206		
45	736-0105		Bell-Wash. .38" I.D. x .88" O.D.	88	725-1442		
46	738-0102		Axle Bolt	89	725-0298		
47	720-0190		Spring Lever Knob				

† Models 442 thru 448 only.
 †† Models 452 thru 458 only.
 ††† Electric start models only.

*For faster service obtain standard nuts, bolts and washers locally.
 If these items cannot be obtained locally, order by part number and size as shown on parts list.

Models 280 and 281

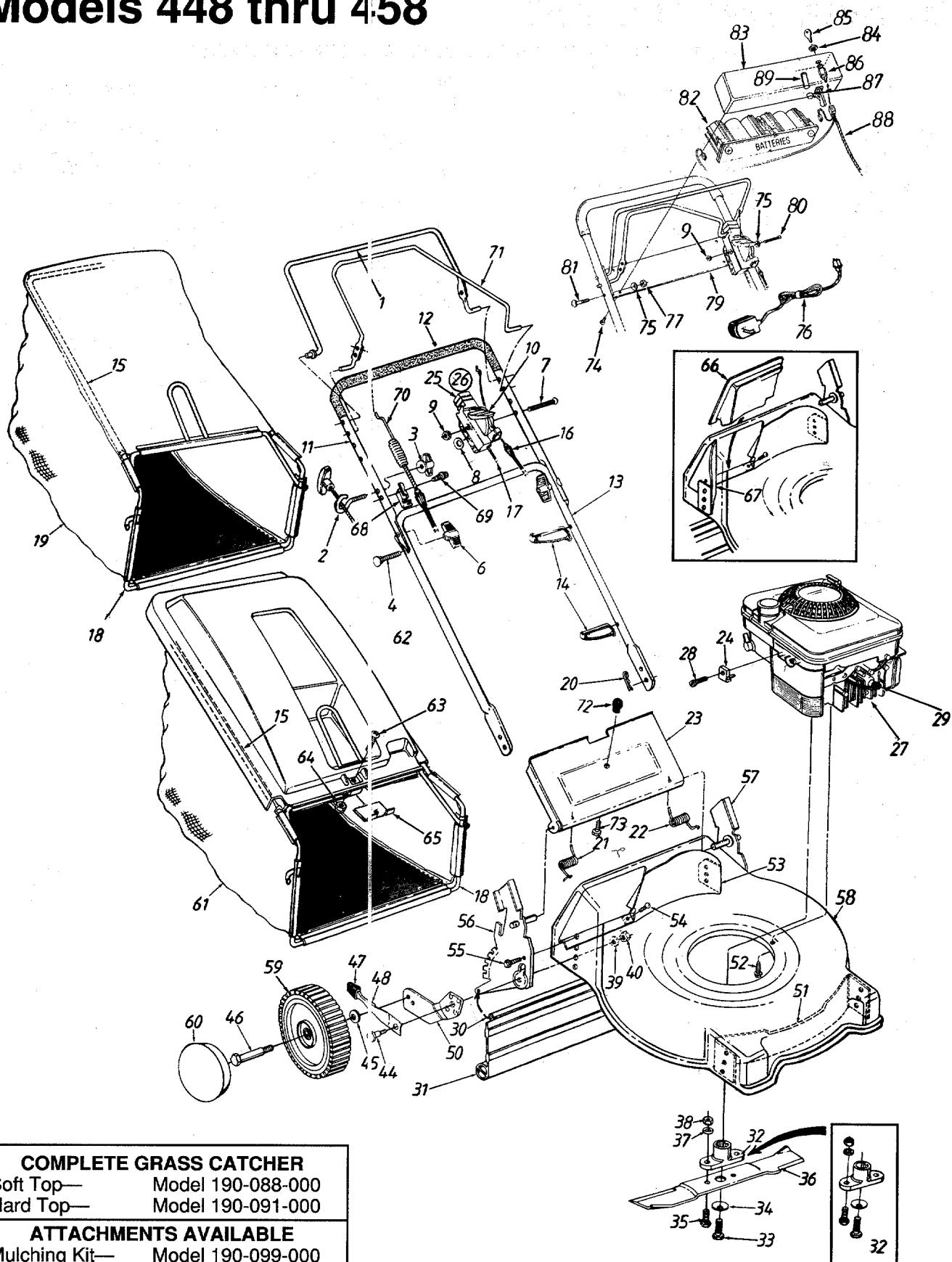


PARTS LIST FOR MODELS 280 AND 281 ROTARY MOWERS

REF. NO.	PART NO.	CODE	DESCRIPTION	REF. NO.	PART NO.	CODE	DESCRIPTION
1	710-1115		Hex Scr. 1/4-20 x .75" Lg. (Gr. 5)	20	710-0168		Hex Bolt 3/8-16 x .5" Lg.*
2	731-0908		Wheel Drive Pinion	21	736-0169		L-Wash. 3/8" I.D.
5	741-0503		Hex Flange Brg. .504" I.D.	22	17614		Pivot Bracket—R.H. (B&S)
6	17018		Hex Bearing Support		17616		Pivot Bracket—R.H. (Tec.)
7	741-0504		Flange Bearing .879" I.D.	23	16756		Engagement Arm—L.H.
8	736-0270		Bell-Wash. .265" I.D. x .75" O.D.	24	710-0258		Hex Bolt 1/4-20 x .62" Lg.
9	14760A		Link 4.58" Lg.	25	17726		Rear Pinion Pivot Cover
10	16832A	N	Drive Engagement Cam	28	17613		Pivot Bracket—L.H. (B&S)
11	712-0267		Hex Nut 5/16-18 Thd.*		17617		Pivot Bracket—L.H. (Tec.)
12	736-0119		L-Wash. 5/16" I.D.*	29	710-0892		Hex Wash. Hd. AB-Tap Scr. 1/4 x .62" Lg.
13	732-0569A		Torsion Spring—R.H.	30	17017		Hex Bearing Axle Brkt.
	732-0570A		Torsion Spring—L.H. (Not Shown)	31	746-0606		Barrel Cable Hold-Down—R.H.
14	738-0754		Shoulder Bolt .437" Dia.	32	710-0919		Hex B-Tap Scr. #10 x .44" Lg.
15	710-0892		Hex L-Hd. AB-Tap Scr. 1/4" x .62" Lg.	33	738-0529		Shld. Nut .625" Dia. x .165" Lg.
16	736-0329		L-Wash. 1/4" I.D.*	34	710-0351		Truss Mach. B-Tap Scr. #10 x .5" Lg.
17	712-0287		Hex Nut 1/4-20 Thd.*	35	710-0429		Hex B-Tap Scr. #10 x 3/8" Lg.
18	638-0004	N	Drive Shaft Ass'y. \varnothing τ	36	732-0634		Cantilever Spring
19	736-0160		Fl-Wash. .531" I.D. x .93" O.D.	37	731-1136		Chain Tensioner

*For faster service obtain standard nuts, bolts and washers locally.
If these items cannot be obtained locally, order by part number
and size as shown on parts list.

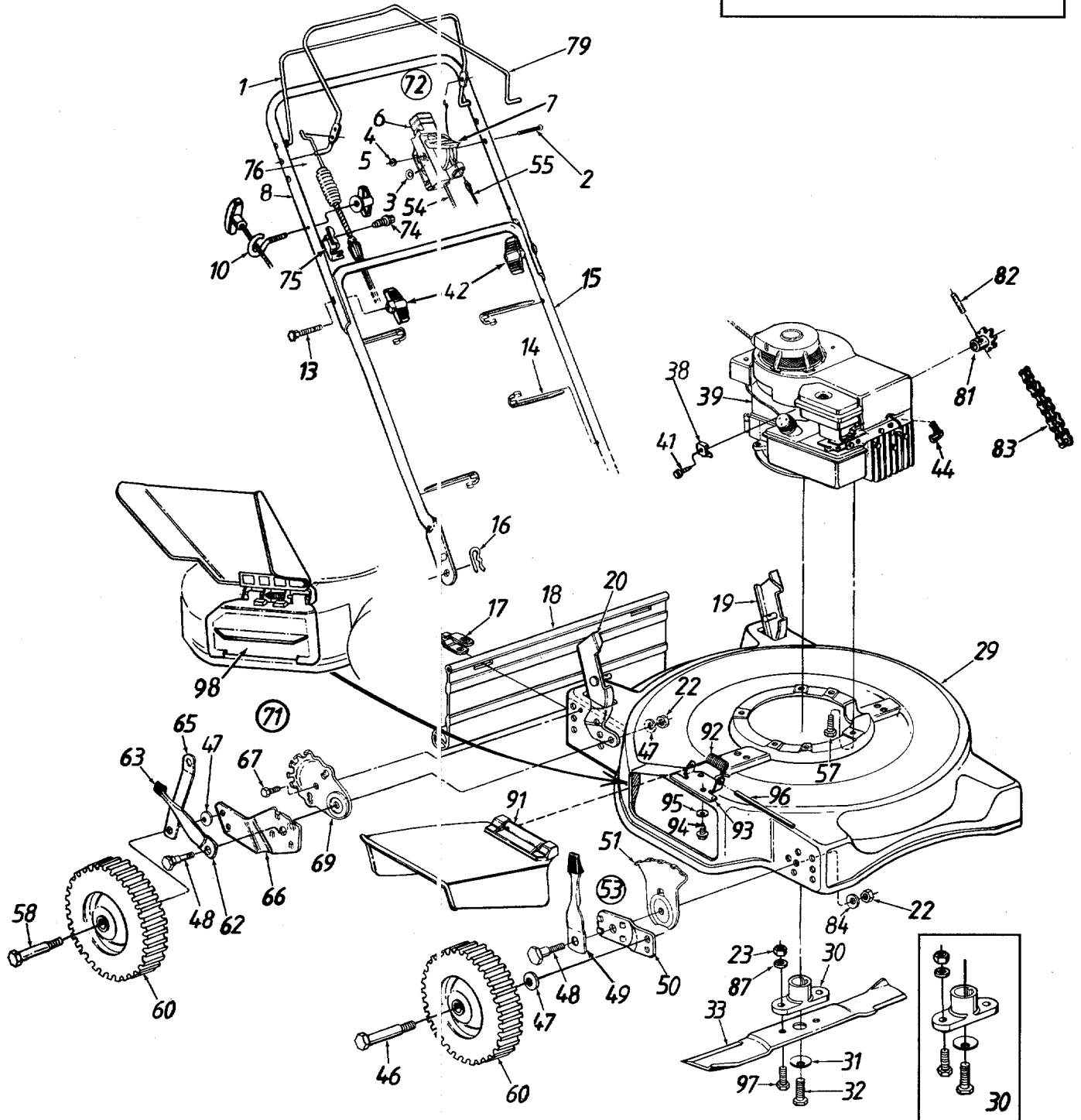
Models 448 thru 458



COMPLETE GRASS CATCHER	
Soft Top—	Model 190-088-000
Hard Top—	Model 190-091-000
ATTACHMENTS AVAILABLE	
Mulching Kit—	Model 190-099-000
Chute Deflector—	Model 190-104-000

Models 280 and 281

Optional Grass Catcher Available
Model 190-110-000



Models 280 and 281

PARTS LIST FOR MODELS 280 AND 281 ROTARY MOWERS

REF. NO.	PART NO.	CODE	DESCRIPTION	REF. NO.	PART NO.	CODE	DESCRIPTION
1	747-0824		Control Handle	55	746-0550		Control Cable—39" Lg. (B&S)
2	710-0602		Oval C-Sunk Mach. Scr.		746-0737		Control Cable—51" Lg. (Tec.)
3	736-0501		Spr. Wash. .66" I.D.	57	710-0654A		Hex L-Wash. Hd. Scr. 3/8-16 x 1.0" Lg.
4	712-0324		Hex L-Nut 1/4-20 Thd.*				Rear Axle Bolt
5	720-0279		Handle Knob 1/4-20 Thd.	58	738-0144		Wheel Ass'y. Comp.
6	646-0875		Throttle Body	60	734-1174A		Spring Lever
7	746-0876		Throttle Lever	62	732-0417A		Spring Lever Knob
8	749-0538C		Upper Handle	63	720-0190		Link 4.58" Lg.
10	710-1205		Rope Guide	65	14760A		Pivot Bar R.H.
13	710-1174		Curved Hd. Bolt 5/16-18 x 2" Lg.	66	14765		Pivot Bar L.H. (Not Shown)
14	726-0240		Cable Tie		14766		Hex L-Wash. Hd. AB-Tap 1/4-.62" Lg.
15	749-0928		Lower Handle	67	710-0896		Index Plate
16	714-0104		Hairpin Cotter				Rear Height Adj. Ass'y.—R.H.
17	17098		Hinge Clip	69	14764C		Rear Height Adj. Ass'y.—L.H. (Not Shown)
18	731-1029		Rear Flap	71	16106		Throttle Box Comp. (Incl. Ref. 2, 3, 4, 6, 7)
19	17189B		Handle Bracket Ass'y.—L.H.		16107		Hex Wash. AB-Tap Scr. 5/16 x .75" Lg.
20	17188B		Handle Bracket Ass'y.—R.H.				Cable Brkt.
22	712-0798		Hex Nut 3/8-16 Thd.*	72	811-00185		Clutch Cable
23	712-0241		Hex Nut 3/8-24 Thd.				S.P. Bail Ass'y.
29	17046		22" Deck Ass'y.	74	710-0726		9 Tooth Sprocket Ass'y.
30	753-0484		Blade Adapter Kit				Spring Pin Spir. 3/16" Dia. x 1" Lg.
31	736-0452		Bell-Wash. .39" I.D.	75	16309A		#48 Chain 1/2" Pitch 50 Links (Endless)
32	710-1044		Hex Bolt 3/8-24 x 1.5" Lg.	76	746-0629		Bell-Wash. .39" I.D. x 1.38"
33	742-0622		22" Blade	79	747-0854		L-Wash. 3/8" I.D.*
	742-0722		22" Mulching Blade (Optional)††	81	713-0449	N	Chute Deflector Ass'y.
38	751B213146		Cable Clamp (B&S)	82	715-0247		Torsion Spring
39	—		Engine				Adapter Plate
41	710-1237		Hex Wash. Hd. Scr. #10-32 x .62" Lg. (B&S)	83	713-0311		Hex Self-Tap Scr. 1/4-20 x .5" Lg.
42	720-0276		Hand Knob	84	736-0356		Bell-Wash. 1/4" I.D.
44	735-0639		Spark Plug Boot (Optional)	87	736-0169		Hinge Pin
46	738-0102		Front Axle Bolt	91	731-1034		Hex Bolt 3/8-24 x 1" Lg.
47	736-0105		Bell-Wash. .400" I.D. x .88"	92	732-0593		Mulching Plug (Optional)††
48	738-0507B		Shld. Bolt .50" Dia. x .357"	93	17032		
49	14832		Spring Lever Ass'y. w/Knob	94	710-0599		
50	15262B		Pivot Bar				
51	15261A		Height Adj. Plate	95	736-0270		
53	14578		Height Adj. Ass'y. Comp.—R.H.	96	747-0710		
	14579		Height Adj. Ass'y. Comp.—L.H. (Not Shown)	97	710-1055		
				98	731-1386A		
54	746-0842		Throttle Control Wire—51" Lg. (B&S)				
	746-0847		Throttle Control Wire—42" Lg. (Tec.)				

††Part of Optional Mulching Kit—Model 190-100-000.