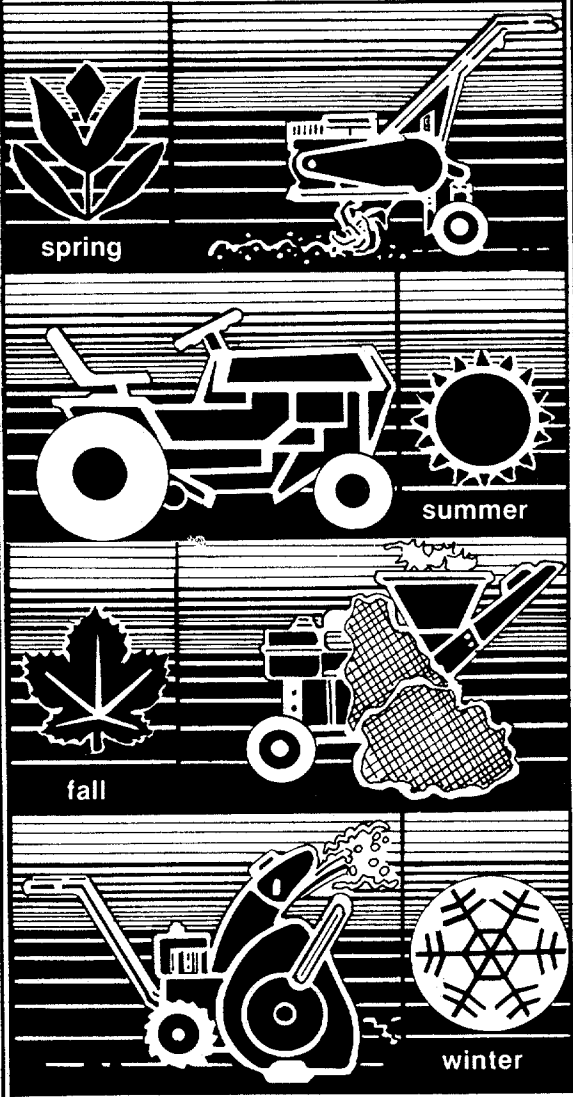


OWNER'S GUIDE

OUTDOOR POWER EQUIPMENT
for all seasons



21" SIDE AND TOP DISCHARGE SELF- PROPELLED ROTARY MOWERS

Model Numbers
125-204-000
125-214-000

Important:
**Read Safety Rules and
Instructions Carefully**

Thank you for purchasing
an American-built product.

INDEX

Safe Operation Practices	3	Maintenance	15
Assembly	4	Off-Season Storage	17
Controls	11	Trouble Shooting	19
Operation	11	Illustrated Parts	20
Adjustments	13	Repair Parts List	21, 22
Lubrication	14	Parts Information	Back Cover



Instructions given with this symbol are for personal safety. Be sure to follow them.

LIMITED WARRANTY

For one year from the date of original retail purchase, MTD PRODUCTS INC will either repair or replace, at its option, free of charge, F.O.B. factory or authorized service firm, any part or parts found to be defective in material or workmanship. Transportation charges for the movement of any power equipment unit or attachment are the responsibility of the purchaser. Transportation charges for any parts submitted for replacement under this warranty must be paid by the purchaser unless such return is requested by MTD PRODUCTS INC.

This warranty will not apply to any part which has become inoperative due to misuse, excessive use, accident, neglect, improper maintenance, alterations, or unless the unit has been operated and maintained in accordance with the instructions furnished. This warranty does not apply to the engine, motor, battery, battery charger or component parts thereof. Please refer to the applicable manufacturer's warranty on these items.

This warranty will not apply where the unit has been used commercially.

Warranty service is available through your local authorized service dealer or distributor. If you do not know the dealer or distributor in your area, please write to the Customer Service Department of MTD.

The return of a complete unit will not be accepted by the factory unless prior written permission has been extended by MTD.

This warranty gives you specific legal rights. You may also have other rights which vary from state to state.



WARNING

This unit is equipped with an internal combustion engine and should not be used on or near any unimproved forest-covered, brush-covered or grass-covered land unless the engine's exhaust system is equipped with a spark arrester meeting applicable local or state laws (if any). If a spark arrester is used, it should be maintained in effective working order by the operator.

In the State of California the above is required by law (Section 4442 of the California Public Resources Code). Other states may have similar laws. Federal laws apply on federal lands. A spark arrester muffler is available at your nearest engine authorized service center.



To reduce the potential for any injury, comply with the following safety instructions. Failure to comply with the instructions may result in personal injury.

SAFE OPERATION PRACTICES FOR WALK-BEHIND MOWERS

TRAINING

1. Read this owner's manual carefully in its entirety before attempting to assemble or operate this machine. Be completely familiar with the controls and the proper use of this machine before operating it. Keep this manual in a safe place for future and regular reference and for ordering replacement parts.
2. Your rotary mower is a precision piece of power equipment, not a plaything. Therefore, exercise extreme caution at all times.
3. Never allow children to operate a power mower. Only persons well acquainted with these rules of safe operation should be allowed to use your mower.
4. No one should operate this unit while intoxicated or while taking medication that impairs the senses or reactions.
5. Keep the area of operation clear of all persons, particularly small children and pets. Stop engine when they are in the vicinity of your mower. Although the area of operation should be completely cleared of foreign objects, an object may have been overlooked and could be accidentally thrown by the mower in any direction and cause serious personal injury to the operator or any others allowed in the area.

PREPARATION

1. Thoroughly inspect the area where the equipment is to be used. Remove all stones, sticks, wire, bones and other foreign objects which could be picked up and thrown by the mower in any direction and cause serious personal injury to the operator or any others allowed in the area.
2. Do not operate equipment when barefoot or wearing open sandals. Always wear substantial footwear.
3. Do not wear loose fitting clothing that could get caught on the mower.
4. Check the fuel before starting the engine. Gasoline is an extremely flammable fuel. Do not fill the gasoline tank indoors, while the engine is running, or while the engine is still hot. Wipe off any spilled gasoline before starting the engine as it may cause a fire or explosion.
5. Disengage the self-propelled mechanism or drive clutch on units so equipped before starting the engine.
6. The blade control handle is a safety device. Never attempt to bypass its operation. Doing so makes the safety device inoperative and may result in personal injury through contact with the rotating blade. The blade control handle must operate easily in both directions.
7. Never attempt to make a wheel or cutting height adjustment while the engine is running.
8. Mow only in daylight or in good artificial light.
9. Never operate the equipment in wet grass. Always be sure of your footing. A slip and fall can cause

serious personal injury. Keep a firm hold on the handle and walk, never run.

OPERATION

1. Do not change the engine governor settings or overspeed the engine. Excessive engine speeds are dangerous.
2. Do not put hands or feet near or under rotating parts. Keep clear of the discharge opening at all times as the rotating blade can cause injury.
3. Stop the blade when crossing gravel drives, walks or roads.
4. After striking a foreign object, stop the engine, remove the wire from the spark plug, and thoroughly inspect the mower for any damage. Repair the damage before restarting and operating the mower.
5. If the equipment should start to vibrate abnormally, stop the engine and check immediately for the cause. Vibration is generally a warning of trouble.
6. Shut the engine off and wait until the blade comes to a complete stop before removing the grass catcher or unclogging the chute. The cutting blade continues to rotate for a few seconds after the engine is shut off. Never place any part of the body in the blade area until you are sure the blade has stopped rotating.
7. Before cleaning, repairing or inspecting, make certain the blade and all moving parts have stopped. Disconnect the spark plug wire, and keep the wire away from the spark plug to prevent accidental starting.
8. Do not run the engine indoors.
9. Mow across the face of slopes, never up-and-down. Exercise extreme caution when changing direction on slopes. Do not mow excessively steep slopes. Always be sure of your footing. A slip and fall can cause serious personal injury.
10. Always disconnect electric mowers (line operated) before cleaning, repairing or adjusting.
11. Never operate mower without proper guards, plates or other safety protective devices in place.
12. **DO NOT OPERATE** top discharge mowers with the chute door open, unless the complete grass catcher is properly mounted on the mower.

MAINTENANCE AND STORAGE

1. Check the blade and engine mounting bolts at frequent intervals for proper tightness.
2. Keep all nuts, bolts, and screws tight to be sure the equipment is in safe working condition.
3. Never store the equipment with gasoline in the tank inside of a building where fumes may reach an open flame or spark. Allow the engine to cool before storing in any enclosure.
4. To reduce fire hazard, keep the engine free of grass, leaves, or excessive grease.
5. Check the grass catcher bag frequently for wear or deterioration. For safety protection, replace only with new bag meeting original equipment specifications.

This owner's manual covers both side discharge (Model 204) and top discharge (Model 214) rotary mowers. Follow only the instructions which pertain to your style mower.

NOTE

This unit is shipped WITHOUT GASOLINE or OIL. After assembly, see separate engine manual for proper fuel and engine oil recommendations.

NOTE

Reference to right or left hand side of the mower is observed from the operating position.

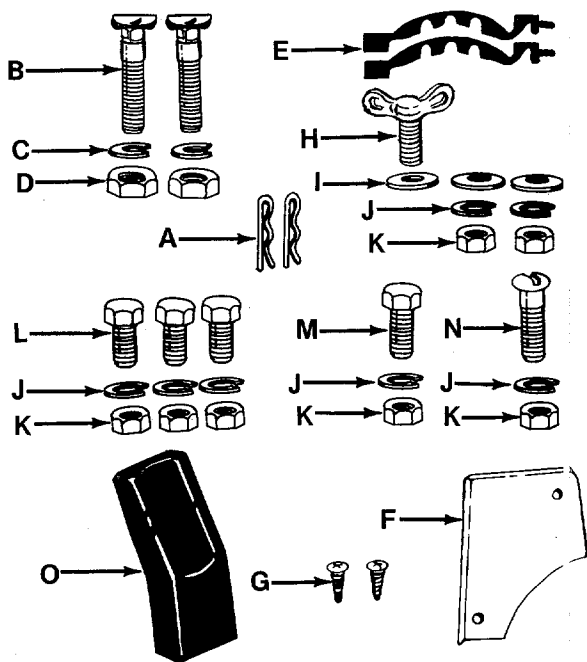


FIGURE 1.

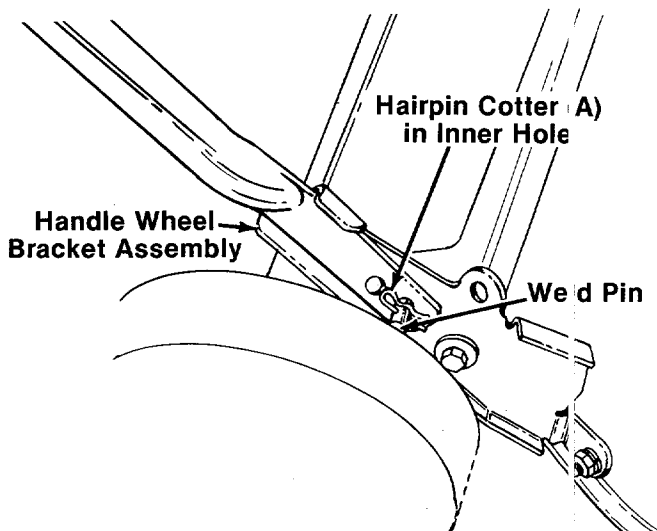


FIGURE 2.

ASSEMBLY INSTRUCTIONS

Contents of Hardware Pack: (See Figure 1)

- A (2) Hairpin Cotters
- B (1) Curved Head Carriage Bolt
- C (2) Lock Washers 5/16" I.D.
- D (2) Hex Nuts 5/16-18 Thread
- E (2) Cable Ties
- F (1) Plastic Cap
- G (2) Phillips Head Screws
- H (1) Wing Bolt 1/4-20 Thread
- I (3) Flat Washers 1/4" I.D.
- J (2) Lock Washers 1/4" I.D. (Model 204)
- (7) Lock Washers 1/4" I.D. (Model 214)
- K (2) Hex Nuts 1/4-20 Thread (Model 204)
- (7) Hex Nuts 1/4-20 Thread (Model 214)
- L (3) Hex Bolts 1/4-20 x 1/2" Long*
- M (1) Hex Bolt 1/4-20 x 5/8" Long*
- N (1) Round Head Bolt 1/4-20 x 3/4" Long*
- O (1) Door Grip*

*Top discharge mowers (Model 214) only.

Loose Parts in Carton:

- (1) Lower Handle
- (1) Upper Handle
- (1) Side Chute Deflector (204) or Top Discharge Chute (214)
- (1) Top Catcher Panel*
- (1) Panel Support Bracket*
- (1) Grass Catcher Handle*
- (1) Front Catcher Frame*
- (1) Grass Catcher Bag*

*Top discharge mowers (Model 214) only.

1. Remove lawn mower and loose parts from carton. Make certain all parts and literature have been removed from the carton before the carton is discarded.
2. Extend all control cables and place on the floor. Be careful not to bend or kink control cables.
3. Attach the lower handle by placing the bottom holes in the lower handle over the weld pins on the handle wheel bracket assemblies. Make certain the instruction label on the lower handle can be read from the operating position. Secure with hairpin cotters (A) in inner holes on weld pins. See figure 2.

NOTE

It may be necessary to bend the ends of the lower handle inward slightly to obtain a tight fit against the handle mount brackets.

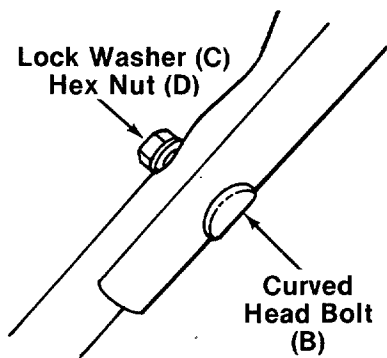


FIGURE 3.

- Place upper handle in position over lower handle. Control housing should be on the **left** side of the handle. Secure with two curved carriage bolts (B), lock washers (C) and hex nuts (D) as shown in figure 3.

NOTE

Reference to left or right side of machine is determined from operator's position at the handle facing forward.

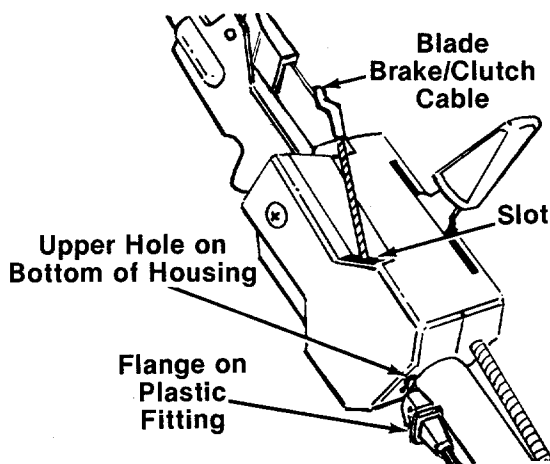


FIGURE 4.

- Route the blade brake/clutch cable under the lower handle. Place end of cable into the upper hole on the bottom of the control housing, and through the slot on the side of the housing as shown. The angle of the flange on the plastic fitting must be positioned downward as shown in figure 4. Be careful not to bend or kink the cable.



The cable must be assembled as shown for proper blade brake/clutch operation.

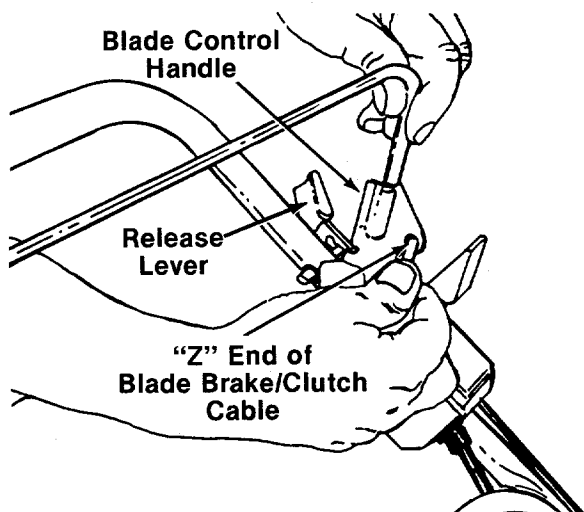


FIGURE 5.

- Snap the plastic fitting on the end of the cable into the control housing.
- Hook the "Z" end of the blade brake/clutch cable into the hole in the blade brake/clutch control handle. See figure 5. If additional slack is needed in order to hook the cable into the handle, proceed as follows.

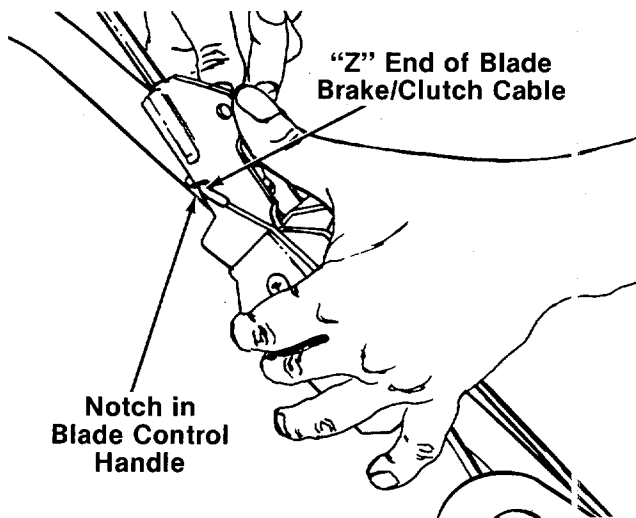


FIGURE 6.

- a. Hook the "Z" end of the cable into notch provided in the blade control handle. See figure 6.
- b. Push release lever (see figure 5), then squeeze blade control handle against upper handle.
- c. Release the blade control handle, unhook the cable from the notch and hook it into the hole in the blade control handle.

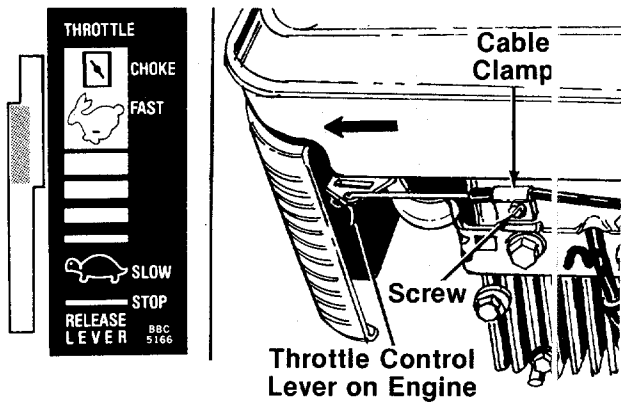


FIGURE 7.

8. Move throttle control lever on handle forward until it stops in "Fast" position. (**Do not** push all the way forward to "Choke" position.) See figure 7.
9. Slide the throttle control lever on the engine as far toward the outside of the engine as it will go **easily** as shown in figure 7. (**Do not** force it into the extreme outside position, which is the "Choke" position.)
10. Hook the "Z" end of the throttle control cable into the hole in the control lever on the engine.
11. Loosen the screw on the cable clamp shown in figure 7. Slip the control casing under the clamp. With the throttle lever on the engine still in the "Fast" position, tighten the screw to secure the throttle control cable. Be certain the clamp is positioned so it holds the cable in a straight line, parallel to the engine shroud.
12. Loosen the screw on the clamp on the side of the engine. Secure the cable **away from the muffler**. Be careful not to bend or kink the cable. Tighten the screw.

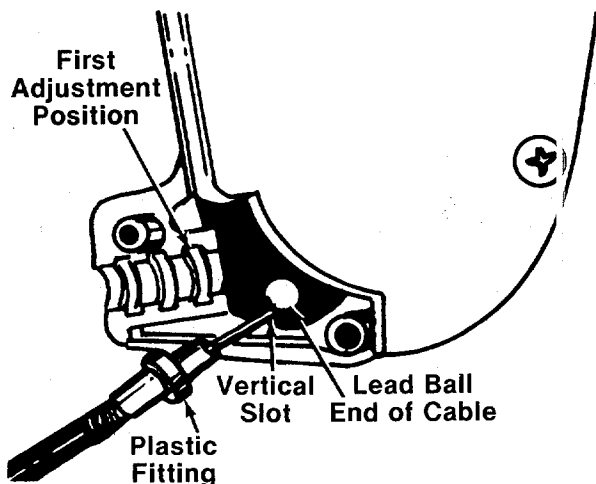


FIGURE 8.

13. The drive clutch control cable is attached to the deck. Attach the cable to the lever in the clutch control housing, located in the middle of the upper handle, as follows.
 - a. Place the lead ball end of the cable into the fitting provided in the end of the clutch control lever. Slip the braided wire into the vertical slot as shown in figure 8.

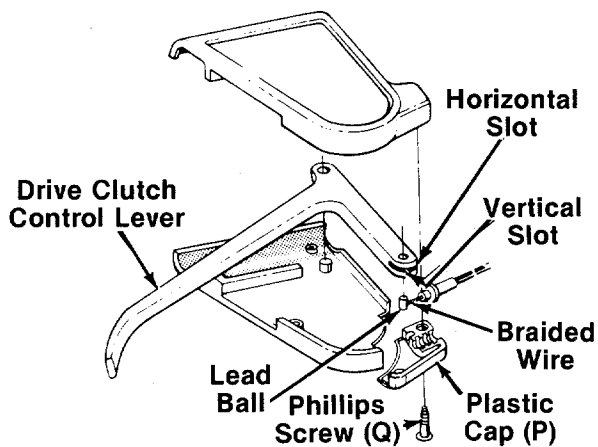


FIGURE 9.

- b. Slide the braided wire around in the horizontal slot. See figure 9.
- c. Place the plastic fitting on the control cable into the first adjustment position in the clutch control housing. See figure 8.
- d. Secure the plastic cap (P) to the clutch control housing using the two Phillips head screws (Q). See figure 9.



WARNING

Drive clutch adjustment must be checked before the unit is operated, as described in the operation section.

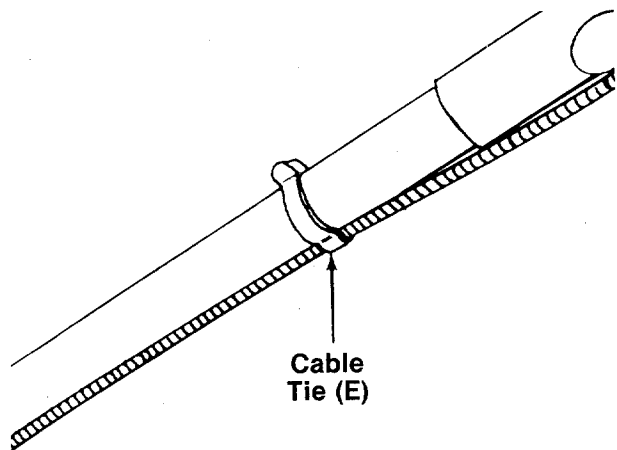


FIGURE 10.

14. Secure control cables to upper and lower handles with cable ties (E) provided. See figure 10.



IMPORTANT

If your unit is equipped with both a side chute deflector and top discharge chute and grass bag, follow the instructions for top discharge mowers. After assembly is completed, it can then easily be converted to a side discharge mower.

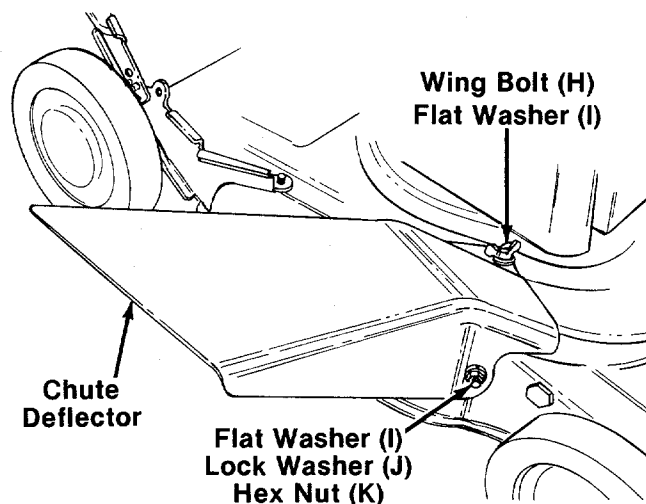


FIGURE 11.

SIDE DISCHARGE MOWERS ONLY (Model 204)

This section is for side discharge models only. If your mower is a top discharge model (with grass bag), proceed to the next section.

1. Place the holes in the chute deflector over the bolts protruding from the right hand side of the deck, and slide it into position. Secure the top of the deflector with one flat washer (I) and wing bolt (H). See figure 11.
2. Secure the front of the deflector to the bolt protruding from the deck with one flat washer (I), lock washer (J) and hex nut (K). See figure 11.

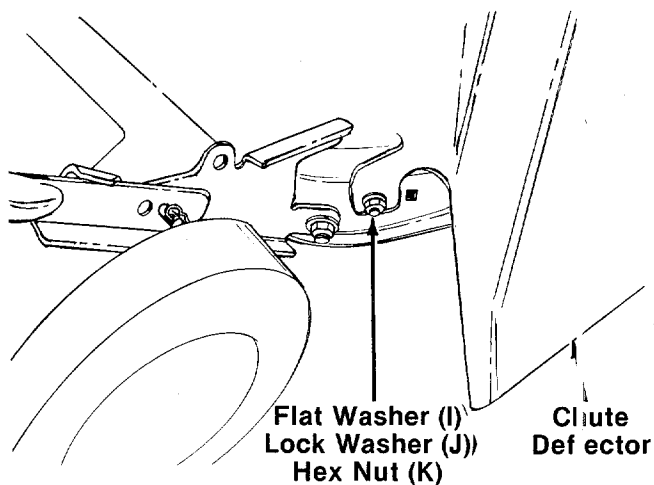


FIGURE 12.

3. Secure the back of the deflector in the same manner. See figure 12.
4. Check **all** nuts and bolts for correct tightness.

NOTE

A grass catcher kit is available which will convert your mower from side to top discharge. Order model number 195-067-000.

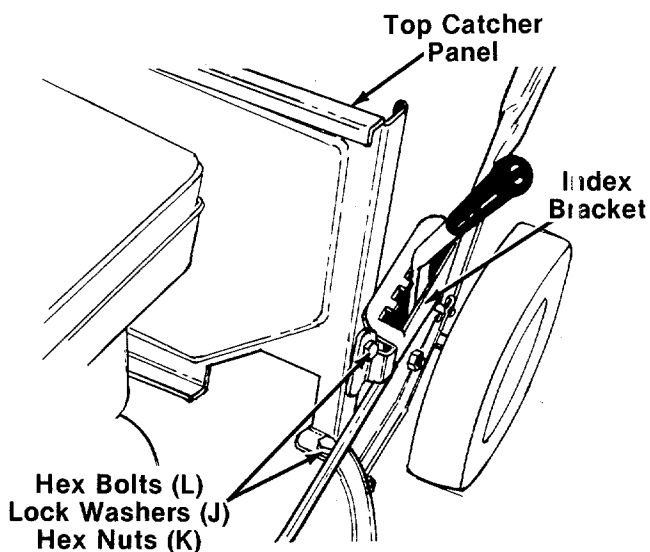


FIGURE 13.

TOP DISCHARGE MOWERS ONLY (Model 214)

NOTE

Before assembling the top catcher panel and grass catcher to the unit, open the fuel shut-off valve on the engine. Refer to "Before Starting" section and figure 23 on page 12.

1. Place the top catcher panel in position on the back of the mower as shown in figure 13. The door in the panel should be to the right side of the mower. Secure the bottom of the catcher panel to the mower using two 1/2" long hex bolts (L), lock washers (J) and hex nuts (K), finger tight only. See figure 13.
2. On the left side of the mower, secure the side of the catcher panel to the index bracket using 1/2" long hex bolt (L), lock washer (J) and hex nut (K), finger tight only. See figure 13.

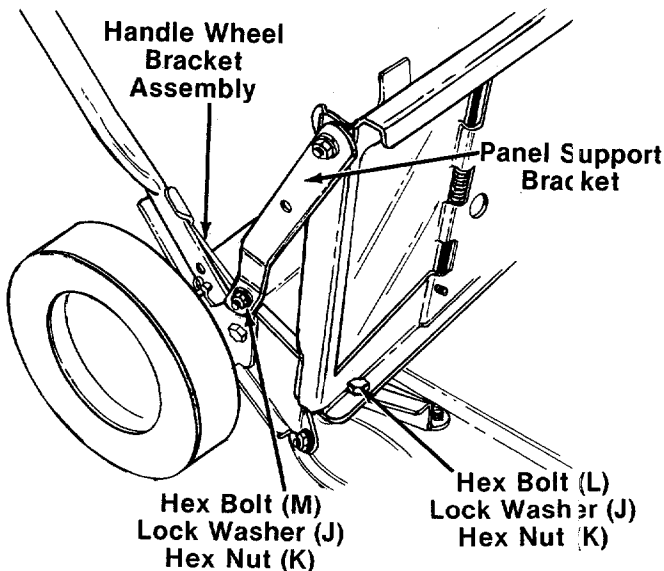


FIGURE 14.

3. Place the panel support bracket in position on the right side of the unit. The bend in the bracket goes toward the outside of the unit, and the holes are positioned as shown in figure 14. Secure bottom of bracket to the handle wheel bracket assembly with one hex bolt (M), lock washer (J) and hex nut (K), finger tight only. See figure 14.
4. Secure top hole of panel support bracket to catcher panel using round head bolt (N) (head of bolt must be to the inside of the catcher panel), lock washer (J) and hex nut (K). See figure 14.
5. Tighten securely all five bolts and nuts used in assembling the catcher panel.

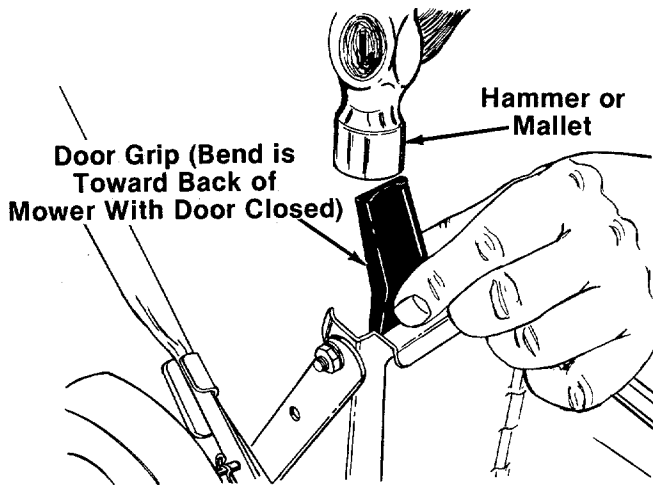


FIGURE 15.

6. Attach the door grip to the tab on the top of the door in the catcher panel so that the bend in the grip is toward the back of the mower. See figure 15. Tap on gently with a hammer or mallet.

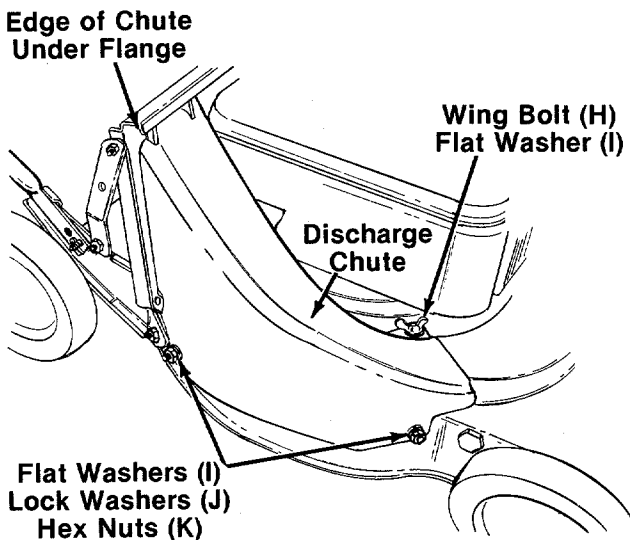


FIGURE 16.

7. Attach the discharge chute as follows.
 - a. Slide the top edge of the discharge chute under the flange on the catcher panel. See figure 16.
 - b. Place the two holes on the bottom edge of the discharge chute over the two bolts which protrude from the deck. See figure 16.
 - c. Attach the front of the discharge chute to the deck with one flat washer (I) and wing bolt (H).
 - d. Secure the bottom of the discharge chute to the deck with flat washers (I), lock washers (J) and hex nuts (K). See figure 16.
8. Check all nuts and bolts for correct tightness.

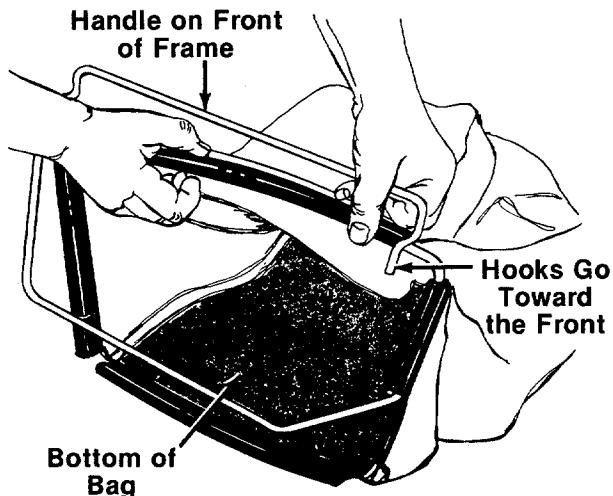


FIGURE 17.

Grass Catcher Assembly

(Model 214 Only)

1. Place bag over frame (black plastic side is the bottom of bag). Handle on frame goes to the top of bag. Hooks go toward the front. See figure 17.
2. Secure bag to frame by slipping plastic channels on bag over frame. See figure 17.

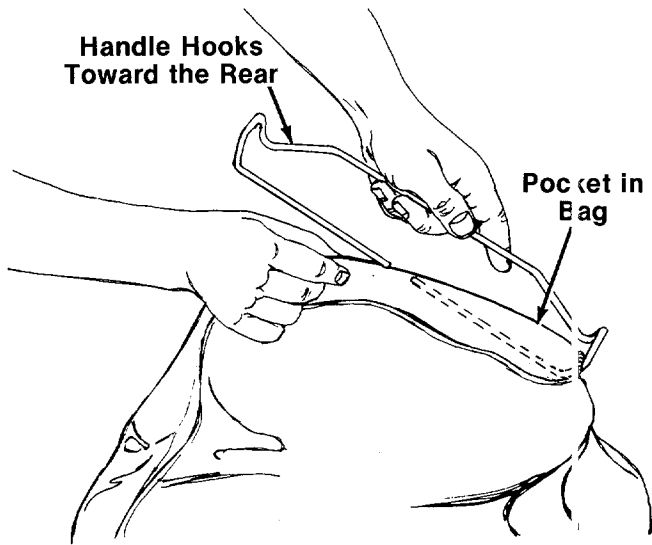


FIGURE 18.

3. Attach the rear handle to bag by inserting one side of handle into pocket on the rear of the bag. The handle should hook toward the rear of the bag as shown in figure 18. Thread all the material onto one side, then slide it over onto the other side. See figure 18.

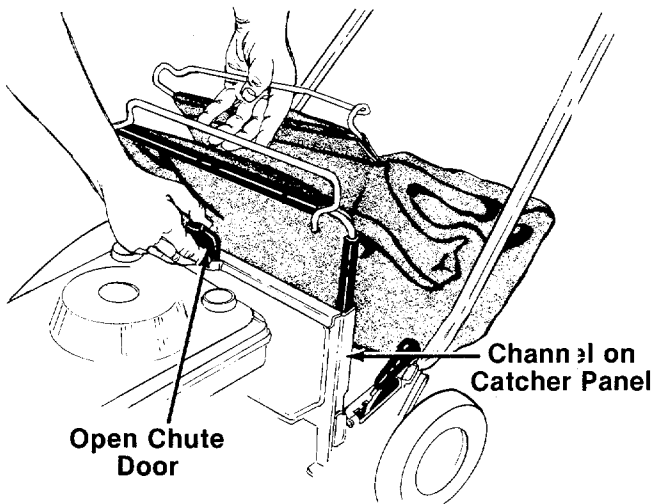


FIGURE 19.

To Attach Bag To Mower

(Model 214 Only)



WARNING

DO NOT operate the mower with the chute door open unless the complete grass catcher is properly mounted on the mower.

1. Hold the chute door on the catcher panel open as shown in figure 19.
2. Slide the frame of the grass catcher down into the channels on the catcher panel. The hooks on the frame go over the catcher panel.
3. Hook the handle on the rear of the grass catcher over the lower handle of the mower. See figure 20.

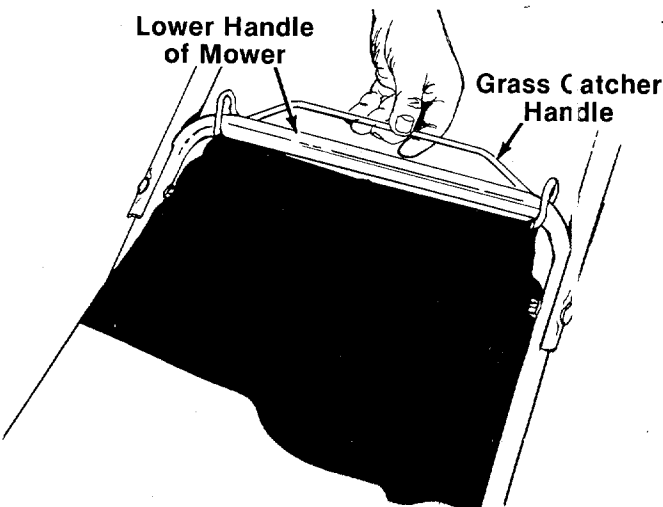


FIGURE 20.

To remove the grass catcher, unhook the rear handle and lift the grass catcher straight up.

To convert your mower back to a side discharge unit, remove only the grass bag and top discharge chute, and assemble the side chute deflector. It is not necessary to remove the catcher panel and brackets.

If your unit is not equipped with a side deflector, one is available. Order model number 195-068-000.



WARNING

Never operate your unit without either the side chute deflector or entire top discharge chute and catcher panel assembly in place.

CONTROLS

THROTTLE CONTROL

The throttle is located on the left side of handle. It controls engine speed. See figure 21.

BLADE BRAKE/CLUTCH CONTROL

WARNING

THIS CONTROL MECHANISM IS A SAFETY DEVICE NEVER ATTEMPT TO BYPASS ITS OPERATIONS

The blade brake/clutch control is located on the upper handle of the mower. The blade brake/clutch handle engages and disengages the blade. To engage the blade, pull the side release lever away from the unit. See figure 21. Pull the blade brake/clutch control handle against the upper handle. Release side lever.

Release the blade brake/clutch control handle to stop the blade from turning.

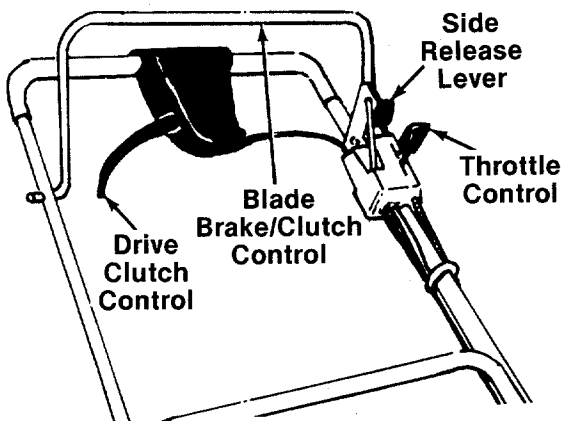


FIGURE 21.

DRIVE CLUTCH CONTROL

Squeezing the drive clutch control engages the drive mechanism to the rear wheels. Releasing the clutch control stops the rear wheels from driving. Release the drive clutch control to slow down when negotiating an obstacle, making a turn or stopping. See figure 21.

OPERATION

Caution

Do Not Operate Mower Unless This Guard Or Entire Grasscatcher Is In Its Proper Place.



FIGURE 22.

Keep hands and feet away from the chute area on cutting deck. See figure 22.

NOTE

For shipping purposes your mower is set with the wheels in a low cutting height position. For best results raise the cutting position until it is determined which height is best for your lawn. See cutting height adjustment.

BEFORE STARTING

1. Fill sump with oil, as instructed in the separate engine manual packed with your unit.
2. Fill fuel tank, using clean, fresh, lead-free, low-lead or regular grade leaded gasoline. Fill tank completely! DO NOT MIX OIL WITH GASOLINE.
3. Attach spark plug wire to spark plug.
4. Open fuel shut-off valve, located beneath the fuel tank. See figure 23.

NOTE

On Model 214, an access hole is provided in the catcher panel. Open fuel shut-off valve using a wrench. See figure 24.

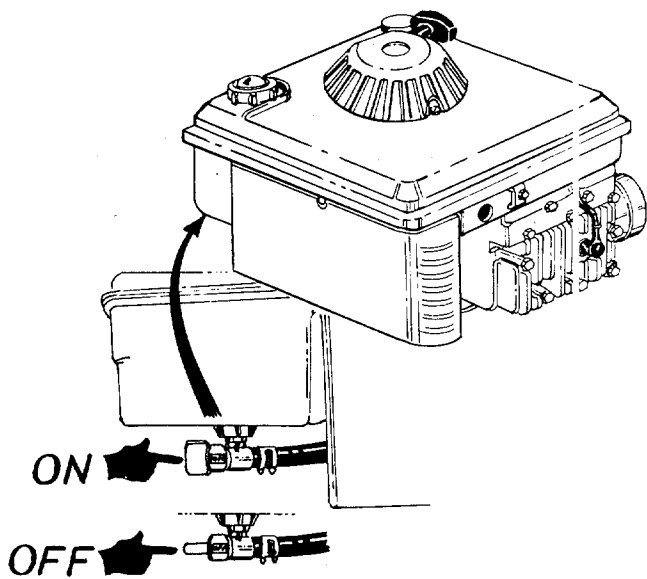


FIGURE 23.

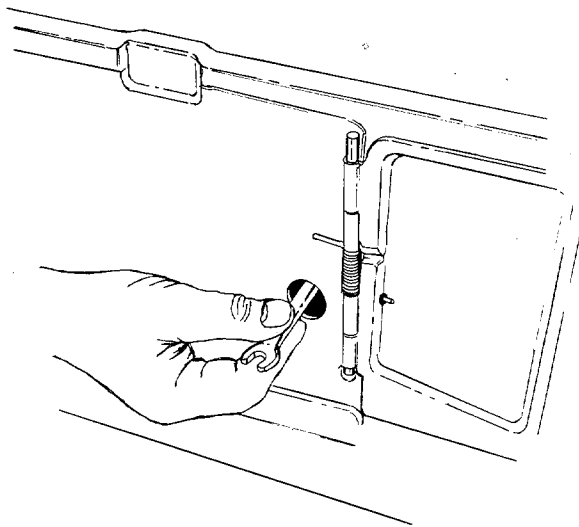


FIGURE 24.

5. Before each use, check for proper drive clutch operation by performing the following before starting the engine:

With the drive clutch control released, push mower forward. It should move freely. Pull mower backward. It should move freely.

If it does not and the rear wheels tend to lock up, the clutch may not be releasing completely. Do not start the engine until corrections have been made. Check the control cable for severe bend, kinks and binding, or grass buildup in the pulley groove. Correct and adjust as required.

TO START ENGINE



When starting the unit for the first time, face the mower against a solid object such as a wall, fence, etc. Start the unit, and if it shows any signs of motion with the drive clutch control disengaged, shut the engine off immediately. Check the position of the drive clutch control cable. The plastic fitting must be assembled in the first adjustment position inside the housing, all the way to the right, as shown in figure 8.

1. Move throttle control lever to "START" position.
2. With the blade brake/clutch handle **released**, crank engine by pulling recoil starter with a quick firm pull. Do not pull out so far that rope stops with a jerk as this will cause rope failure. Do not allow rope and handle to snap back into place.
3. After two or three full firm pulls on recoil, or as soon as engine starts, move throttle control to desired engine speed.



Never operate your unit without either the side chute deflector or entire top discharge chute and catcher panel assembly in place.

TO STOP ENGINE

1. Move throttle control lever to "STOP" position.
2. Disconnect spark plug wire from spark plug and ground against the engine to prevent accidental starting while equipment is unattended.

TO ENGAGE THE BLADE

1. Start engine as instructed above. Allow the engine to warm up for **one minute** before attempting to engage the blade.
2. To engage the blade, pull the side release lever away from the unit. Pull the blade brake/clutch control handle down against the upper handle. Release the side lever. See figure 21.



NOTE

If a warm engine falters or stalls when attempting to engage the blade, refer to Carburetor Adjustment Section of this owner's manual.

3. Release the blade brake/clutch control handle to stop the blade from turning.



NOTE

Always release the blade brake/clutch control handle before stopping the engine. If the engine begins to stall, release the blade brake/clutch control handle immediately.

Should the engine stall with the blade brake/clutch control in the operating position (control handle **not** released), difficulty may be encountered in pulling the starter rope to restart the engine. Proceed as follows.

1. Disconnect the spark plug wire from the spark plug.
2. Move the throttle lever to STOP position.
3. Hold the blade brake/clutch control in the engaged position.
4. While holding the blade brake/clutch control handle in this position, pull the starter rope.
5. As the starter rope is being pulled, release the blade brake/clutch control handle.

The starter rope should now operate correctly. Reconnect the spark plug wire for normal operation.

USING YOUR ROTARY MOWER



DO NOT operate mower Model 214 with the chute door open unless the complete grass catcher is properly mounted on the mower.

Be sure that lawn is clear of stones, sticks, wire, or other objects which could damage lawn mower or engine. Such objects could be accidentally thrown by the mower in any direction and cause serious personal injury to the operator and others.

Operate a new engine at intermediate speeds and light load for the first few hours as you would a new automotive engine.

For the best results, do not cut wet grass because it tends to stick to the underside of the mower, preventing proper discharge of grass clippings, and could cause you to slip and fall. New grass, thick grass or wet grass may require a narrower cut. Blade speed should be adjusted to the condition of the lawn.

When using the side discharge mower, the best mowing pattern is one that allows the clippings to discharge towards the uncut part of the lawn. This permits recutting of the clippings to further pulverize them. When cutting high weeds, discharge towards cut portion, then recut at right angles to first direction.

For best results, cut off one-third or less of the total length of the grass. Lawn should be cut in the fall as long as there is growth.

This mower is designed to be operated at full throttle to give you the best cut and do the most effective job of bagging the cut grass.



IMPORTANT

If you strike a foreign object, stop the engine. Remove wire from spark plug, thoroughly inspect the mower for any damage, and repair the damage before restarting and operating the mower.

Striking a solid object can cause damage to the blade brake/clutch or to the engine crankshaft. Extensive vibration of the mower during operation is an indication of damage. The unit should be promptly inspected and repaired.

ADJUSTMENTS



Do not at any time make any adjustment to lawn mower without first stopping engine and disconnecting spark plug wire.

DRIVE CLUTCH CONTROL ADJUSTMENT

If the unit does not self-propel with the drive clutch control engaged, remove the plastic cap from beneath the drive clutch control housing. Move the plastic fitting on the control cable to the next adjustment position on the left. Reassemble the plastic cap and retest. See figure 25.

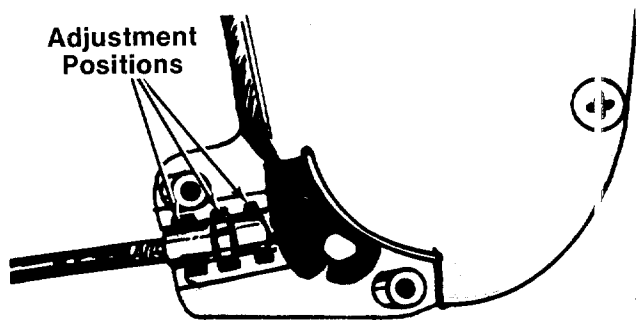


FIGURE 25.

CUTTING HEIGHT ADJUSTMENT

The height adjustment handle is located on the left side of the deck. The handle may be placed in one of nine cutting height positions. Push the handle to the left and then either forward to lower the cutting height or backward to raise the cutting height. See figure 26.

For rough or uneven lawns, move the height adjustment handle to a position which will give a higher cutting height.

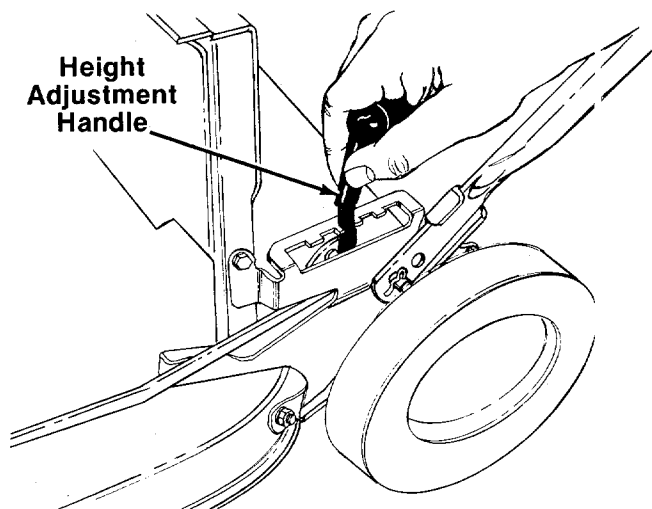


FIGURE 26.

THROTTLE

The throttle control wire assembly can be adjusted if necessary. Refer to steps 8 thru 12 of assembly instructions.

CARBURETOR ADJUSTMENTS



WARNING

If any adjustments are made to the engine while the engine is running (e.g. carburetor), disengage all clutches and blades. Keep clear of all moving parts. Be careful of heated surfaces and muffler.

Minor carburetor adjustment may be required to compensate for differences in fuel, temperature, altitude and load. Refer to the separate engine manual packed with your mower.



NOTE

If a warm engine falters or stalls when attempting to engage the blade, the carburetor mixture should be adjusted 1/8 turn richer (counter-clockwise). See figure 27.

The carburetor should be adjusted with the air cleaner in place and the blade control handle in the blade disengaged position.

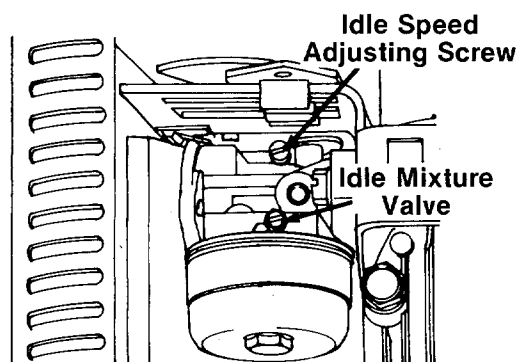


FIGURE 27.

LUBRICATION



WARNING

Always stop engine and disconnect spark plug wire before cleaning, lubricating or doing any kind of work on lawn mower.

Blade Brake/Clutch—Lubricate the pivot points on the blade brake/clutch handle and the cable at least once a season with light oil. The control must operate freely in both directions.

Discharge Chute Door Mechanism (Model 214)—The torsion spring and pivot point should be lubricated periodically with light oil to prevent any rust or binding. Door must work freely.

Wheels—Mower may be provided with ball bearing wheels. Lubricate at least once a season with light oil. Also, if the wheels are removed for any reason, lubricate the surface of the axle bolt and the inner surface of the wheel with light oil. A 4 oz. plastic bottle of light oil lubricant is available. Order part number 737-0170. Engine oil may also be used.

Engine—Follow engine manual for lubrication instructions.

Throttle—Periodically lubricate throttle control lever and throttle wire assembly with a few drops of light oil for ease of operation.

MAINTENANCE



WARNING

Be sure to disconnect and ground the spark plug wire before performing any repairs or maintenance.



NOTE

When tipping the unit, empty the fuel tank and keep engine spark plug side up.

CUTTING BLADE

To remove the cutting blade for sharpening or replacement, remove the two hex nuts and lock washers which hold the blade to the blade brake/clutch. See figure 28.

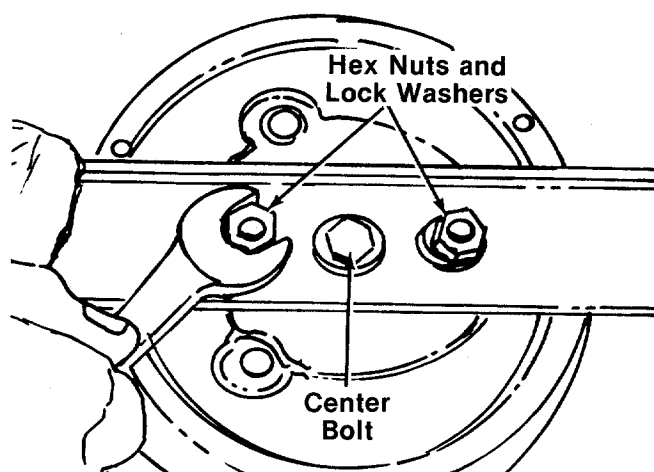


FIGURE 28.

When sharpening the blade, follow the original angle of grind as a guide. It is **extremely important** that each cutting edge receives an equal amount of grinding to prevent an unbalanced blade. An unbalanced blade will cause excessive vibration when rotating at high speeds, may cause damage to the mower and could break, causing personal injury.

The blade can be tested for balance by balancing it on a round shaft screwdriver. Remove metal from the heavy side until it balances evenly.

When replacing the blade, be sure to install the blade with the side of the blade marked "Bottom" (or with part number) facing the ground when the mower is in the operating position.

Blade Mounting Torque

Make certain that the center bolt which secures the blade brake/clutch and the two hex nuts which secure the blade are tightened to between 350 inch pounds (minimum) and 600 inch pounds (maximum).

To insure safe operation of your unit, **all** nuts and bolts must be checked periodically for correct tightness.

DECK

The underside of mower deck should be cleaned after each period of use as grass clippings, leaves, dirt and other matter will accumulate. This accumulation of grass clippings, etc., is undesirable as it will invite rust and corrosion and may cause an uneven discharge of grass clippings at the next cutting.

The deck may be cleaned by tilting the mower forward or on its side and scraping clean with a suitable tool or by washing with a stream of water from a garden hose.



NOTE

Do not direct the stream of water at a hot engine as damage to the engine may result.

ENGINE OIL

Check oil level before starting and after every 5 hours of operation. ADD oil as necessary to keep level to full mark on dipstick. Before removing dipstick, clean area around dipstick to prevent dirt from entering oil fill opening. Engine should be in a level position when checking oil.

Change oil after first 5 hours of operation. Thereafter change every 25 hours. Change oil while engine is warm. Oil may be drained thru oil fill opening by tipping the unit on its side. Oil capacity 1- $\frac{1}{4}$ pints.

AIR CLEANER

Service air cleaner every 25 hours under normal conditions. Clean every few hours under extremely dusty conditions. Poor engine performance and flooding usually indicates that the air cleaner should be serviced.

To service air cleaner, refer to the separate engine manual packed with your mower.

SPARK PLUG

The spark plug should be cleaned and the gap reset once a season. Spark plug replacement is recommended at the start of each mowing season; check engine manual for correct plug type and gap specifications.

BELT REMOVAL AND REPLACEMENT

1. Disconnect the spark plug wire and ground it.
2. On units with the top discharge grass bag assembly installed (Model 214), first remove the grass bag, discharge chute and catcher panel. Refer to Assembly Instructions.
3. Remove the three screws which hold the belt guard (and idler assembly). See figure 29.

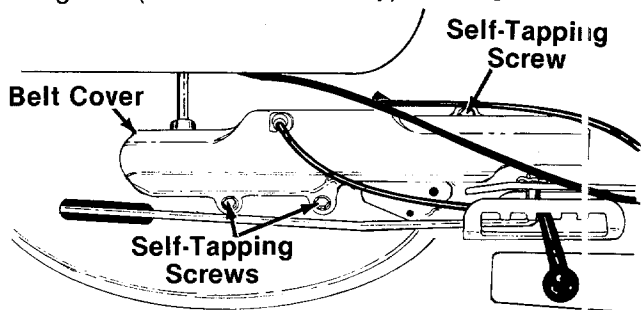


FIGURE 29.

4. Remove the belt from the pulley and the engine pulley. See figure 30.

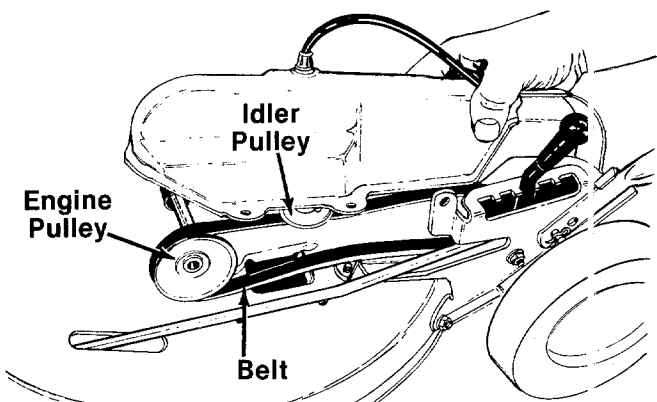


FIGURE 30.

5. Reassemble using the new belt, making certain the idler pulley is under the belt. See figure 31.

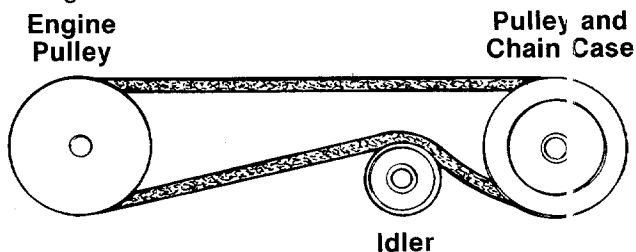


FIGURE 31.

BLADE BRAKE/CLUTCH

This unit is equipped with a blade brake/clutch. If for some reason the blade brake/clutch becomes inoperative, it is suggested that all repair work on the blade brake/clutch should be performed by an authorized service dealer. The unit should be inspected by an authorized service dealer if any of the following conditions are noticed.

1. Frayed clutch control cable.
2. Leaking oil seal (oil collection on the floor during mower storage).
3. Extensive vibration of the unit.

Blade Brake/Clutch Removal

1. Disconnect the spark plug wire and ground it against the engine block.
2. Empty fuel tank and drain oil from crankcase.
3. Remove the cable ties which secure control cables to the handle.
4. Disconnect the "Z" fitting on the blade brake/clutch cable from the clutch control handle.
5. Remove one truss machine screw on the inside of the control housing as shown in figure 32.
6. Loosen the truss machine screw on the outside of the control housing until the two halves of control housing can be separated enough for the control cable to be freed. Slide the blade brake/clutch cable out of the control housing.
7. Retighten the truss machine screws on the control housing.

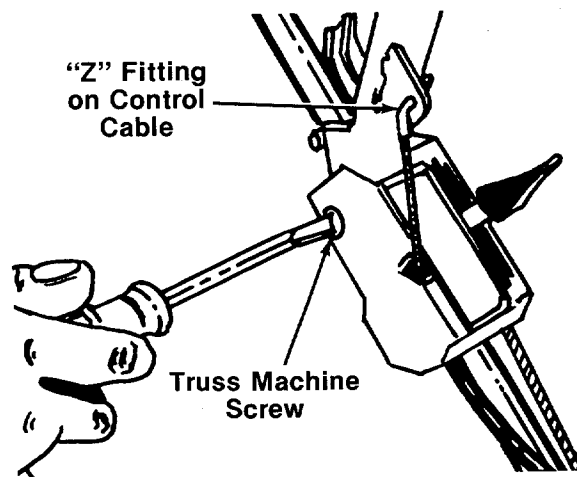


FIGURE 32.

8. Disconnect the throttle control cable from the engine by loosening screw on engine and disconnecting the "Z" fitting. Refer to figure 7.

9. Tip the mower on its side. Remove the blade by removing two hex nuts and lock washers. Refer to figure 28.

NOTE

When reassembling, tighten hex nuts to between 350 and 600 in. lbs.

10. Remove the center bolt as follows.
 - a. Insert a screwdriver into the slot provided in the blade brake/clutch housing where the control cable enters housing. See figure 33.
 - b. Place a 9/16" wrench on the center bolt. Turn the wrench slowly until the screwdriver catches in a groove provided inside the clutch. The screwdriver will now keep the clutch from turning, and the center bolt and two belleville washers may be removed.

IMPORTANT

Upon reassembly, be certain to tighten center bolt to between 350 and 600 in. lbs.

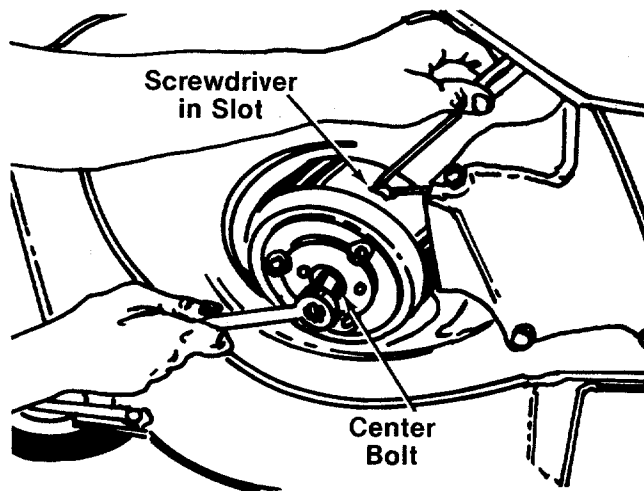


FIGURE 33.

11. Support the engine with one hand. Remove the three self-tapping screws which secure the deck and blade brake/clutch to the engine. A 1/2" socket wrench is required. See figure 34.

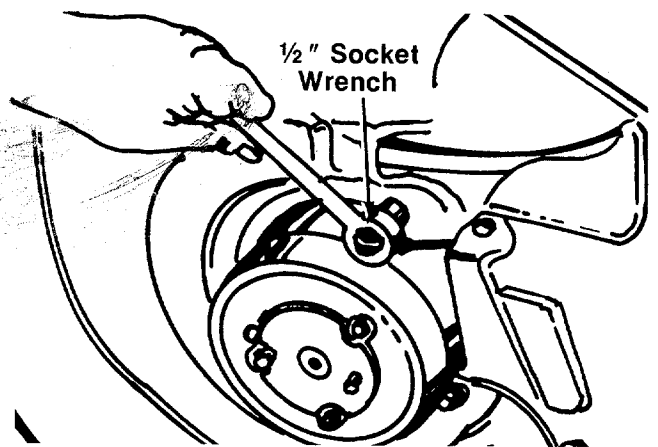


FIGURE 34.

12. Slide the blade brake/clutch cable through the hole in the deck as you lift off the engine and blade brake/clutch. Be careful not to kink control cable.
13. Remove blade brake/clutch from engine crankshaft.

Blade Brake/Clutch Installation

1. Place the new blade brake/clutch on engine crankshaft. Line up holes on blade brake/clutch with mounting holes on engine.
2. Place the two belleville washers onto crankshaft. Cupped side of washers must be against the blade brake/clutch. Secure with hex bolt finger tight only.
3. Place cable through engine mounting hole on deck.
4. Reverse steps 1 through 12 of preceding section for reassembly.

OFF-SEASON STORAGE

The following steps should be taken to prepare lawn mower for storage.

1. Clean and lubricate mower thoroughly as described in the lubrication instructions.
2. Refer to engine manual for correct engine storage instructions.
3. Coat mower's cutting blade with chassis grease to prevent rusting.
4. Store mower in a dry, clean area.

NOTE

When storing any type of power equipment in an unventilated or metal storage shed, care should be taken to rustproof the equipment. Using a light oil or silicone, coat the equipment, especially the bearings and cables.

 **NOTE**

The use of any accessory on this Rotary Mower other than those manufactured by the mower manufacturer is **not** recommended.

GRASS CATCHER Model 067 is available as replacement equipment for the mower Model 214 shown in this manual.

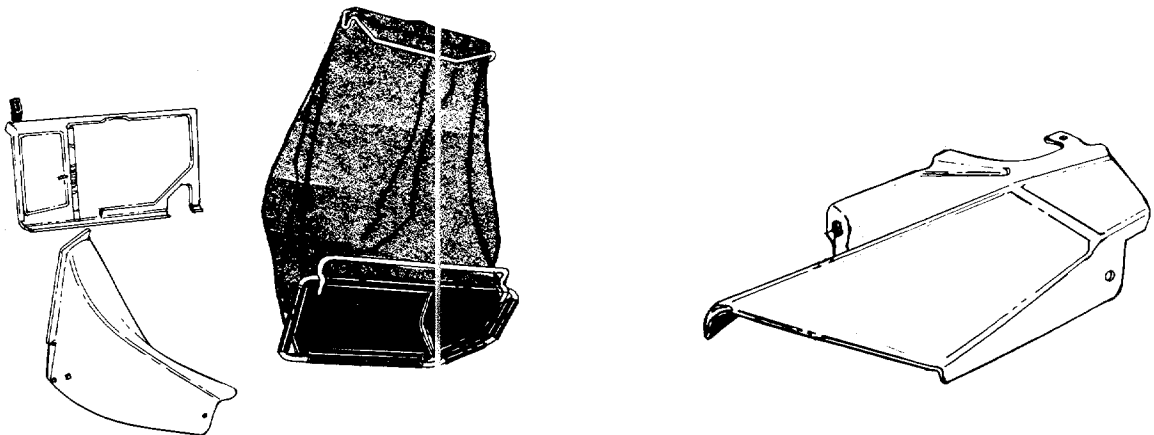


1. DO NOT operate the mower with the chute door open unless the complete grass catcher is properly mounted on the mower.
2. DO NOT operate the mower without the protective shield on the rear of the deck in place.

 **NOTE**

Under normal usage bag material is subject to wear and should be checked periodically. Be sure any replacement bag complies with the mower manufacturer's recommendations.

For replacement bags, use only factory authorized replacement bag No. 764-0212.



Model 067

Model 068

For units not equipped with the above, top discharge grass bag assembly Model 195-067-000 and side chute deflector Model 195-068-000 are available as optional equipment.

Trouble Shooting Chart

Problem	Cause	Remedy
1 Engine fails to start	<p>A Check fuel tank for gas B Fuel shut-off valve closed C Spark plug lead wire disconnected D Throttle control lever not in the starting position E Faulty spark plug</p> <p>F Carburetor improperly adjusted, engine flooded</p> <p>G Old stale gasoline</p>	<p>A Fill tank if empty. B Open fuel shut-off valve. C Connect lead wire.</p> <p>D Move throttle lever to start position. E Spark should jump gap between control electrode and side electrode. If spark does not jump, replace the spark plug. F Remove spark plug, dry the plug, crank engine with plug removed, and throttle in off position. Replace spark plug and lead wire and resume starting procedures. G Drain and refill with fresh gasoline.</p>
2 Hard starting or loss of power	<p>A Spark plug wire loose B Carburetor improperly adjusted C Dirty air cleaner</p>	<p>A Connect and tighten spark plug wire. B Adjust carburetor. See separate engine manual. C Clean air cleaner as described in separate engine manual.</p>
3 Operation erratic	<p>A Dirt in gas tank B Dirty air cleaner C Water in fuel supply D Vent in gas cap plugged E Carburetor improperly adjusted</p>	<p>A Remove the dirt and fill tank with fresh gas. B Clean air cleaner as described in separate engine manual. C Drain contaminated fuel and fill tank with fresh gas. D Clear vent or replace gas cap. E Adjust carburetor. See separate engine manual.</p>
4 Occasional skip (hesitates) at high speed	<p>A Carburetor idle speed too slow B Spark plug gap too close C Carburetor idle mixture adjustment improperly set</p>	<p>A Adjust carburetor. See separate engine manual. B Adjust to .030". C Adjust carburetor. See separate engine manual.</p>
5 Idles poorly	<p>A Spark plug fouled, faulty, or gap too wide B Carburetor improperly adjusted C Dirty air cleaner</p>	<p>A Reset gap to .030" or replace spark plug. B Adjust carburetor. See separate engine manual. C Clean air cleaner as described in separate engine manual.</p>
6 Engine overheats	<p>A Carburetor not adjusted properly B Air flow restricted</p> <p>C Engine oil level low</p>	<p>A Adjust carburetor. See separate engine manual. B Remove blower housing and clean as described in separate engine manual. C Fill crankcase with the proper oil.</p>
7 Excessive vibration	<p>A Cutting blade loose or unbalanced B Bent blade</p>	<p>A Tighten blade. Balance blade. B Replace blade.</p>

Note: For repairs beyond the minor adjustments listed above, contact your local service center.

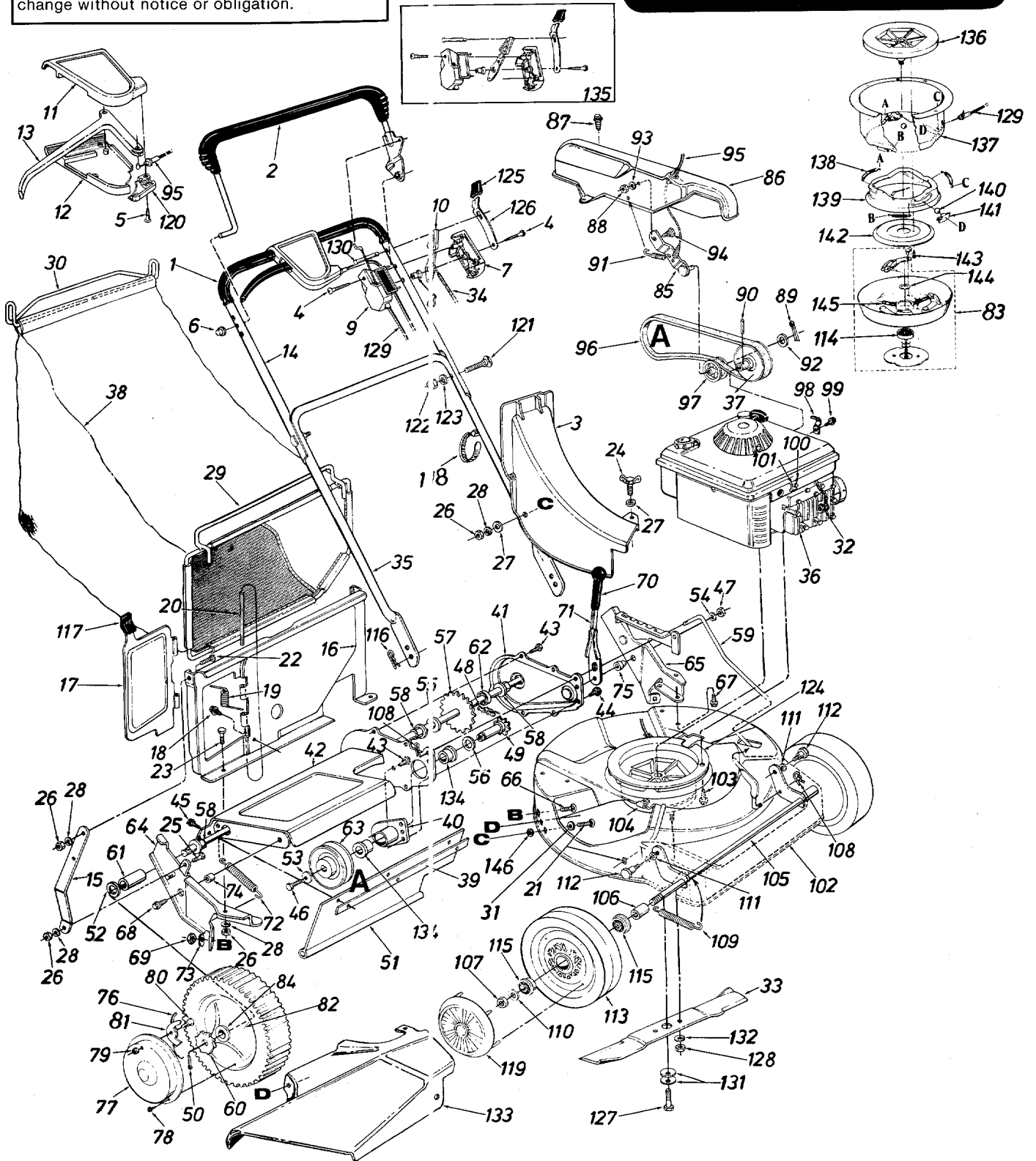
Models 204 and 214

Meets CPSC Blade Safety Requirements

Lot/Model	Mfg. Date

NOTE

This instruction manual covers various models and all specifications shown do not necessarily apply to your model. Specifications subject to change without notice or obligation.



Models 204 and 214

PARTS LIST FOR MODELS 204 AND 214 21" ROTARY MOWERS

REF. NO.	PART NO.	COLOR CODE	DESCRIPTION	NEW PART	REF. NO.	PART NO.	COLOR CODE	DESCRIPTION	NEW PART
1	718-0145		Grip		45	710-0776		Hex AB-Tap Scr. 1/4 x .62" Lg.	
2	731-0609		Control Handle Ass'y.—L.H.		46	710-0875		Hex Wash. TT-Tap Scr. 1/4-20	
3	731-0733		Top Discharge Chute Ass'y.†	N	47	712-0296		Hex Patch L-Nut 3/8-24 Thd.	
4	710-0796		Truss Mach. Scr. #12 x 1.50" Lg.		48	713-0353		#48 Chain .500" Pitch x .30 Links	
5	710-0841		Fl-"C"-Sunk Hd. Tap Scr. #10 x .75" Lg.		49	713-0355		Sprocket—Shaft Ass'y.	N
6	726-0135		Cap Speed Nut .31 Dia.		50	714-0115		Cotter Pin 1/8" Dia. x 1.00" Lg.*	
7	731-0523		Control Panel Half		51	731-0672		Rear Flap 3.75" x 17.30" Lg.	N
8	731-0524		Control Disc Pin		52	736-0160		Fl-Wash. .531" I.D. x .930" O.D.	
9	731-0526		Clutch Panel Half		53	736-0270		Bell-Wash. .265" I.D. x .75" O.D.	
10	731-0528		Throttle Control Lever		54	736-0300		FI-Wash. .385" I.D. x .87" O.D.	
11	731-0617		Self-Propelled Control Cover		55	736-0326		FI-Wash. .510" I.D. x 1.0" O.D.	
12	731-0618		Self-Propelled Control Cover		56	736-0254		FI-Wash. .62" I.D. x 1.12" O.D.	
13	731-0620		Control Lever		57	738-0614		Rear Shaft Ass'y. 22.05" Lg.	
14	749-0437		Upper Handle—Chrome		58	741-0324		Hex Flange Bearing .506" I.D. Plastic	
15	16129		Panel Support Brkt.†	N	59	747-0510		Height Adj. Rod 1.50" x 19.42" Lg.	N
16	16140		Top Catcher Panel†	N	60	748-0187		Ratchet Wheel 1.62" O.D.	
17	16145		Top Door†	N	61	748-0191		Spacer .51" I.D. x .69" O.D. x .690" Lg.	N
18	710-0429		Hex "B" Tap Scr. #10 x .38" Lg.†		62	748-0301		Spacer .510" I.D. x 1.00" O.D. x .210" Lg.	N
19	732-0483		Torsion Spring .20" I.D. x 1.14" Lg.†	N	63	756-0459		1/2" "V"-Pulley	N
20	747-0514		Pivot Pin .187" Dia. x 7.25" Lg.†	N	64	16136		R.H. Handle Wheel Brkt. Ass'y.	N
21	710-0134		Carriage Bolt 1/4-20 x .62" Lg.*		65	16137		L.H. Handle Wheel Brkt. Ass'y.	N
22	710-0255		Truss Mach. Scr. 1/4 x .75" Lg.†		66	710-0260		Carriage Bolt 5/16-18 x .62" Lg.*	
23	710-0289		Hex Bolt 1/4-20 x .50" Lg.*†		67	710-0603		Hex Wash. Hd. B-Tap Scr. 5/16-18	
24	710-0934		Wing Bolt 1/4-20 x .62" Lg.	N	68	710-0654		Hex Wash. Hd. TT-Tap Scr. 3/8-16	
25	710-0258		Truss Mach. Scr. 1/4-20 x .62" Lg.†		69	712-0267		Hex Nut 5/16-18 Thd.*	
26	712-0287		Hex Nut 1/4-20 Thd.*†		70	720-0143		Grip	
27	736-0463		Fl-Wash. .280" I.D. x .620" O.D.†		71	732-0473		Height Adj. Lever 1.25 x 8.5" Lg.	N
28	736-0329		L-Wash. 1/4" I.D.*†		72	732-0481		Extension Spring .50" O.D. x 3.80" Lg.	N
29	747-0494		Front Grass Catcher Framet	N	73	736-0242		Bell-Wash. .345" I.D. x .88" O.D.	
30	747-0495		Grass Catcher Handlet	N	74	750-0526		Spacer .385" I.D. x .502" O.D. x .270" Lg.	
31	736-0204		Fl-Wash. .344 I.D. x .62 O.D.		75	750-0624		Shld. Spacer .500" Dia. x .100	N
32	735-0639		Spark Plug Insulator		76	10622		Spring—Nylon	
33	742-0290		21" Blade	N	77	10647		Hub Cap	
34	746-0472		Throttle Control Wire 58.0" Lg.		78	710-0748		Pan Hd. Tap Scr. #12 x .50" Lg.	
35	749-0505		Lower Handle—Chrome		79	712-0324		Hex Ins. L-Nut 1/4-20 Thd.	
36	—		Engine						
37	756-0460		Engine Pulley 1/2"	N					
38	764-0212		21" Top Discharge Grass Bag†	N					
39	14835		Retaining Strip						
40	16118		Bearing Hub Flange Ass'y.	N					
41	16119		Chain Cover	N					
42	16121		Chain Axle Ass'y.	N					
43	710-0352		Hex B-Tap Scr. 1/4" x .38" Lg.						
44	710-0599		Hex Wash. S-Tap Scr. 1/4-20 x .50" Lg.						

Models 204 and 214

PARTS LIST FOR MODELS 204 AND 214 21" ROTARY MOWERS (CONTINUED)

REF. NO.	PART NO.	COLOR CODE	DESCRIPTION	NEW PART	REF. NO.	PART NO.	COLOR CODE	DESCRIPTION	NEW PART
80	738-0137		Shld. Scr. .342" Dia. x .268		113	734-1264		Front-Wheel Ass'y. Comp.	
81	748-0188		Pawl					7 x 1.75	N
82	734-1260		Wheel Ass'y. Comp.—Rear		114	741-0124		Ball Brg. .669" I.D. x 1.574"	
			8 x 1.75	N	115	741-0180		Flange Ball Bearing 1/2" I.D.	
83	14300		Clutch Blade Housing Ass'y.		116	714-0104		Intern. Cotter Pin 5/16" Dia.	
84	741-0180		Flange Ball Bearing 1/2" I.D.		117	720-0208		Door Grip x 2.5†	N
85	16134		Belt Idler Bracket Ass'y.	N	118	726-0192		Cable Tie	
86	16146		Belt Cover	N	119	**		Hub Cap—Plastic	
87	710-0599		Hex Wash. S-Tap Scr. 1/4-20		120	731-0619		S.P. Control Cover	
			x .50" Lg.		121	710-0671		Curved Carr. Bolt 5/16-18 x	
88	712-0287		Hex Nut 1/4-20 Thd.*					1.38" Lg.	
89	714-0115		Cotter Pin 1/8" Dia. x 1.00"		122	712-0267		Hex Nut 5/16-18 Thd.*	
			Lg.*		123	736-0119		L-Wash. 5/16" I.D.*	
90	715-0247		Spring Pin Spir. 3/16" Dia.		124	717-0485		Blade Brake Clutch Comp.	
			x 1.00" Lg.		125	720-0190		Spring Lever Knob	
91	732-0357		Extension Spring .33" O.D.		126	732-0401		Lockout Spring	
			x 1.12" Lg.		127	710-0818		Hex Cent. L-Bolt 3/8-24 x	
92	736-0160		FI-Wash. .531" I.D. x .930"					2.00" (Grade 8)	
			O.D. x .050		128	712-0328		Hex Nut 3/8-24 Thd.	
93	736-0329		L-Wash. 1/4" I.D.*					(Grade 8)	
94	738-0255		Shld. Bolt .375" Dia. x .181		129	746-0400		BBC Clutch Cable x 46.0"	
95	746-0466		S.P. Cable x 53.0" Lg.	N		0405		Lg.	
96	754-0104		"V"-Belt 1/2" x 32.0" Lg.		130	731-0607		Lock Pin .314" Dia. x 1.75"	
97	756-0360		FI-Idler Plastic 1.62" Dia.					Lg.	
98	12894		Throttle Control Cable Clip		131	736-0105		Bell-Wash. .400" I.D. x .88"	
99	710-0429		Hex B-Tap Scr. #10 x .38"					O.D.	
			Lg.		132	736-0169		L-Wash. 3/8" I.D.*	
100	710-0899		Hex Sems Bolt #10-32 x		133	16148		Side Chute Deflector	
			.62" Lg.					(204 Only)	N
101	751-0333		Casing Clamp		134	748-0249		Flange Bushing	
102	16126		Top Discharge Deck Ass'y.	N	135	753-0361		Kit—Control Housing Comp.	
103	710-0654		Hex Wash Hd. TT-Tap Scr.		136	719-0256		Fan Adapter	
			3/8-16		137	14307		Clutch Housing	
104	712-0185		Speed Nut 1/4-20 U-Type		138	732-0397		Extension Spring .35"	
105	10662		Front Axle Ass'y.					O.D. x 1.75" Lg.	
106	711-0313		Sleeve .526" I.D. x .690"		139	14305		Brake Cup Cone	
			O.D. x .880" Lg.		140	741-0326		Steel Ball .500" Dia.	
107	712-0200		Hex L-Nut 1/2-20 Thd.		141	731-0520		Ball Block	
108	714-0104		Intern. Cotter Pin 5/16" Dia.		142	14304		Clutching Cone	
109	732-0482		Extension Spring .50" O.D.		143	710-0875		Hex Tap L-Scr. 1/4-20 x .75"	
			x 3.20" Lg.	N				Lg.	
110	736-0160		FI-Wash. .531" I.D. x .930"		144	736-0333		FI-Wash. .690" I.D. x 1.060"	
			O.D.					O.D.	
111	736-0221		Intern. L-Wash. 3/8 x .56"		145	732-0396		Compression Spring .35"	
			O.D.					O.D. x 2.00" Lg.	
112	738-0615		Shld. Bolt .623" Dia. x .425"	N	146	726-0233		Bolt Retainer 1/4 x .50 O.D.	

†Top Discharge Model 214 Only.

(462—Red Flake)

*For faster service obtain standard nuts, bolts and washers locally. If these items cannot be obtained locally, order by part number and size as shown on parts list.

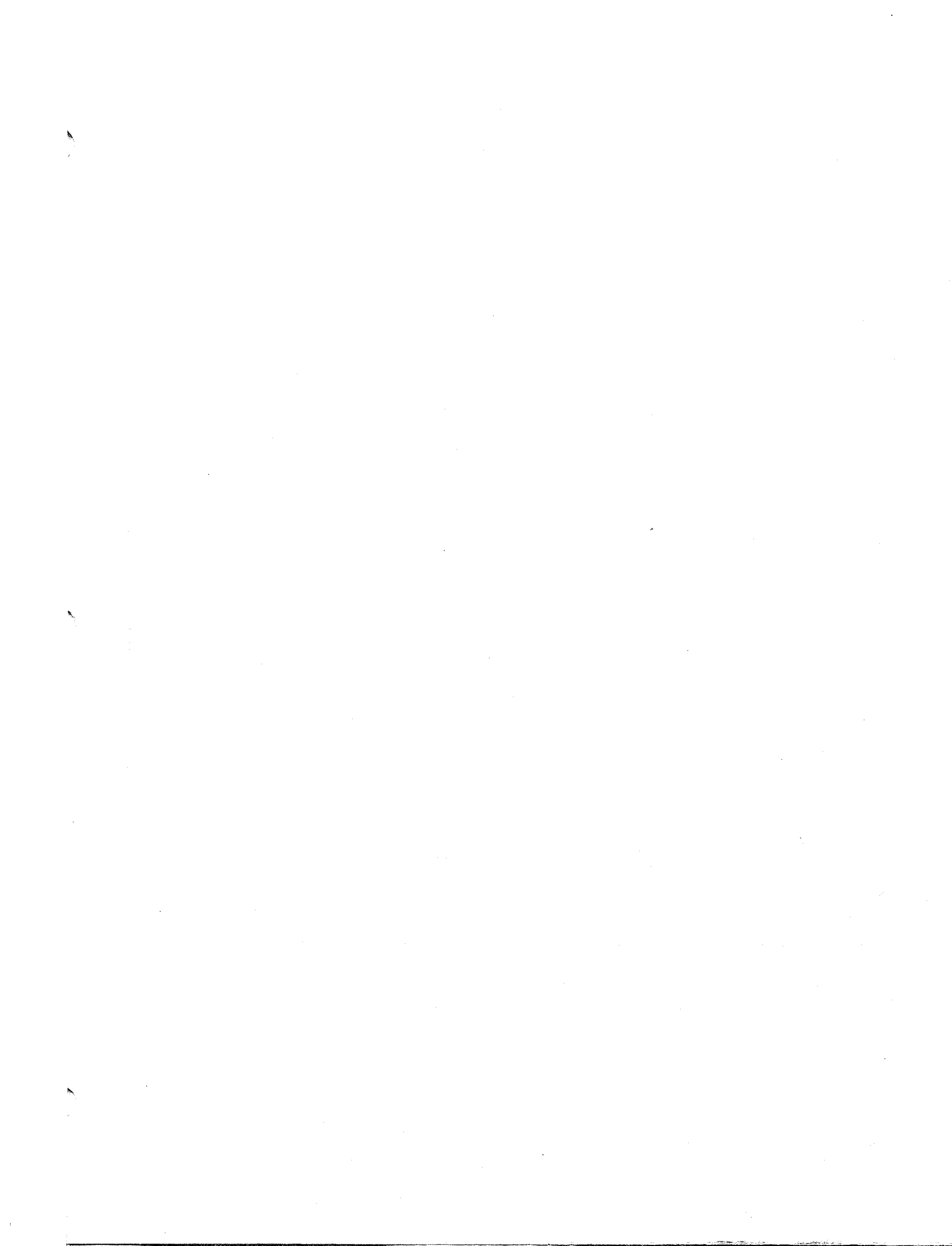
When ordering parts if color or finish is important, use the appropriate color code shown. (e.g. Red Flake Finish—12191 (462).)

**Hub Caps Available

Color	Part No.
Red	731-0124
Orange	731-0254
Black	731-0354
Gray	731-0355

NOTE: The engine is not under warranty by the mower manufacturer... If repairs or service is needed on the engine, please contact your nearest authorized engine service outlet. Check the "Yellow Pages" of your telephone book under "Engines—Gasoline."

Find It Fast
In The
Yellow Pages



PARTS INFORMATION

POWER EQUIPMENT PARTS AND SERVICE

Parts and service are available through the authorized service firms listed below. All orders should specify the model number of your unit, part numbers, description of parts and the quantity of each part required.

BRIGGS AND STRATTON, TECUMSEH AND PEERLESS PARTS AND SERVICE

Briggs & Stratton, Tecumseh and Peerless parts and service should be handled by your nearest authorized engine service firm. Check the yellow pages of your telephone directory under the listing **Engines—Gasoline**, Briggs & Stratton or Tecumseh Lauson.

NOTE: If any parts are found to be missing or defective upon assembly of this unit, write to advise the factory so that immediate replacement can be made.

ALABAMA	BIRMINGHAM		OHIO	CARROLL
Auto Electric & Carburetor Co.	2625 4th Ave. S.	35233	Stebe's Mid-State Mower Supply	Box 366, 71 High St.
ARKANSAS	NORTH LITTLE ROCK		Bleckrie, Inc.	CLEVELAND
Sutton's Lawn Mower Shop	5301 Roundtop Drive		National Central	7900 Lorain Ave.
	Box 368, Rt. 4	72117	Burton Supply Co.	WADSWORTH
CALIFORNIA	PORTERVILLE			687 Seville Rd.
Billious	75 North D Street	93257		YOUNGSTOWN
COLORADO	DENVER			1301 Logan Ave.
Spitzer Industrial Products Co.	6601 N.			Box 929
	Washington St.	80229	OKLAHOMA	MUSKOGEE
FLORIDA	JACKSONVILLE		Victory Motors, Inc.	605 S. Cherokee
Radco Distributors	4909 Victor St.		OREGON	PORTLAND
	Box 5459	32207	Kenton Supply Co.	8216 N. Denver Ave.
	HIALEAH		PENNSYLVANIA	HARRISBURG
Small Eng. Dist.	7995 W. 26th Court.	33016	EECO Inc.	4021 N. 6th St.
GEORGIA	EAST POINT			PHILADELPHIA
East Point Cycle & Key Inc.	2834 Church St.	30344		5222-24 N. Fifth St.
ILLINOIS	LYONS		Thompson Rubber Co.	PITTSBURGH
Keen Edge Co.	8615 Ogden Ave.	60534	Bluemont Co.	11125 Frankstown Rd.
INDIANA	ELKHART			PUNXSUTAWNEY
Parts & Sales Inc.	2101 Industrial Pkwy.	46516	Frank Roberts & Sons	R.D. 2
IOWA	DUBUQUE		Scranton Auto Ignition Co.	1133-35 Wyoming Ave.
Power Lawn & Garden Equip.	2551 J.F. Kennedy	52001	TENNESSEE	KNOXVILLE
LOUISIANA	NEW ORLEANS		Master Repair Service	2000 Western Ave.
Suhren Engine Co.	8330 Earhart Blvd.	70118		MEMPHIS
MARYLAND	TAKOMA PARK		American Sales & Service, Inc.	3035-43 Bellbrook
Center Supply Co.	6867 New Hampshire		TEXAS	DALLAS
	Ave.	20912	Marr Brothers, Inc.	423 E. Jefferson
MASSACHUSETTS	SPRINGFIELD		Woodson Sales Corp.	FORT WORTH
Morton B. Collins Co.	300 Birnie Ave.	01107		6733 Baker Blvd.
MICHIGAN	LANSING		Bullard Supply Co.	Hwy. 10
Lorenz Service Co.	2500 S. Pennsylvania	48910	Engine House Inc.	HOUSTON
	MOUNT CLEMENS			2409 Commerce St.
Power Equipment Dist.	340 Hubbard	48043		SAN ANTONIO
MINNESOTA	HOPKINS			8610 Botts Lane
Hance Distributing Inc.	420 Excelsior Ave. W.	55343		P.O. Box 17867
MISSOURI	KANSAS CITY		UTAH	BOUNTIFUL
Automotive Equip. Service	3117 Holmes St.	64109	Powered Products	485 N 500 W.
	ST. JOSEPH		VIRGINIA	ASHLAND
Ross-Frazier Supply Co.	8th and Monterey	64503	RBI Corp.	101 Cedar Ridge Dr.
	ST. LOUIS		WASHINGTON	SEATTLE
Henzler, Inc.	2015 Lemay Ferry Rd.	63125	Equip. Northwest	1410 14th Ave.
NEW JERSEY	BELLMAWR		WISCONSIN	CHILTON
Lawnmower Parts Inc.	717 Creek Rd.	08030	Horst Dist. Inc.	444 N. Madison St.
NEW MEXICO	ALBUQUERQUE		NORTH CAROLINA	GOLDSBORO
Spitzer Eng. & Parts Co.	1023 Third Ave. N.W.	87103	Smith Hardware Co.	515 N. George St.
NEW YORK	CARTHAGE			GREENSBORO
Gamble Dist., Inc.	West End Ave.	13619	Dixie Sales Company	335 N. Green

WARRANTY PARTS AND SERVICE POLICY

(0484)

The purpose of warranty is to protect the customer from defects in workmanship and materials, defects which are NOT detected at the time of manufacture. It does not provide for the unlimited and unrestricted replacement of parts. Use and maintenance are the responsibility of the customer. The manufacturer cannot assume responsibility for conditions over which it has no control. Simply put, if it's the manufacturer's fault, it's the manufacturer's responsibility; if it's the customer's fault, it's the customer's responsibility.

CLAIMS AGAINST THE MANUFACTURER'S WARRANTY INCLUDES:

1. Replacement of Missing Parts on new equipment.
2. Replacement of Defective Parts within the warranty period.
3. Repair of Defects within the warranty period.

All claims MUST be substantiated with the following information:

1. Model Number of unit involved.
2. Date unit was purchased or first put into service.
3. Date of failure.
4. Nature of failure.