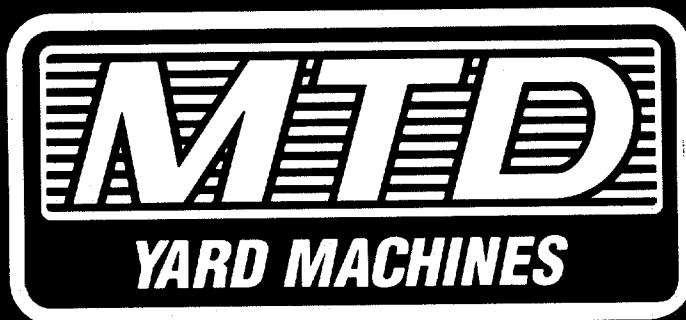


ILLUSTRATED PARTS

AMERICAN  AMERICAN
M A D E O W N E D
OUTDOOR POWER EQUIPMENT

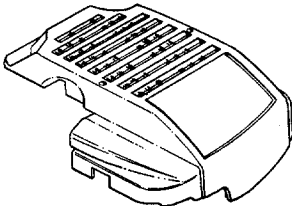
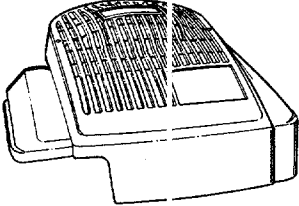
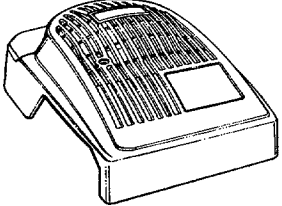
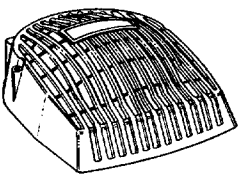
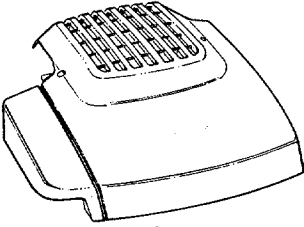
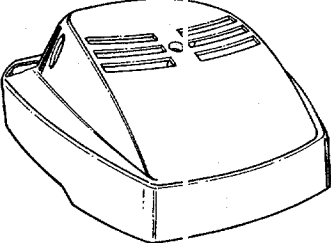
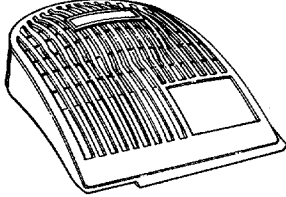
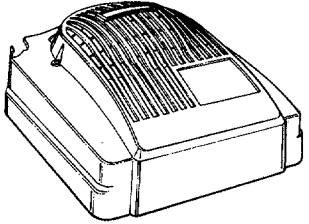


1995

Self-Propelled Mowers

Model Number	Pages
125-135E000 and 125-138C000	2-4
125-145B000 thru 125-149A000	5-7
125-233A000 thru 125-238R000	8-11
Engine Shrouds	12

OPTIONAL ENGINE SHROUDS

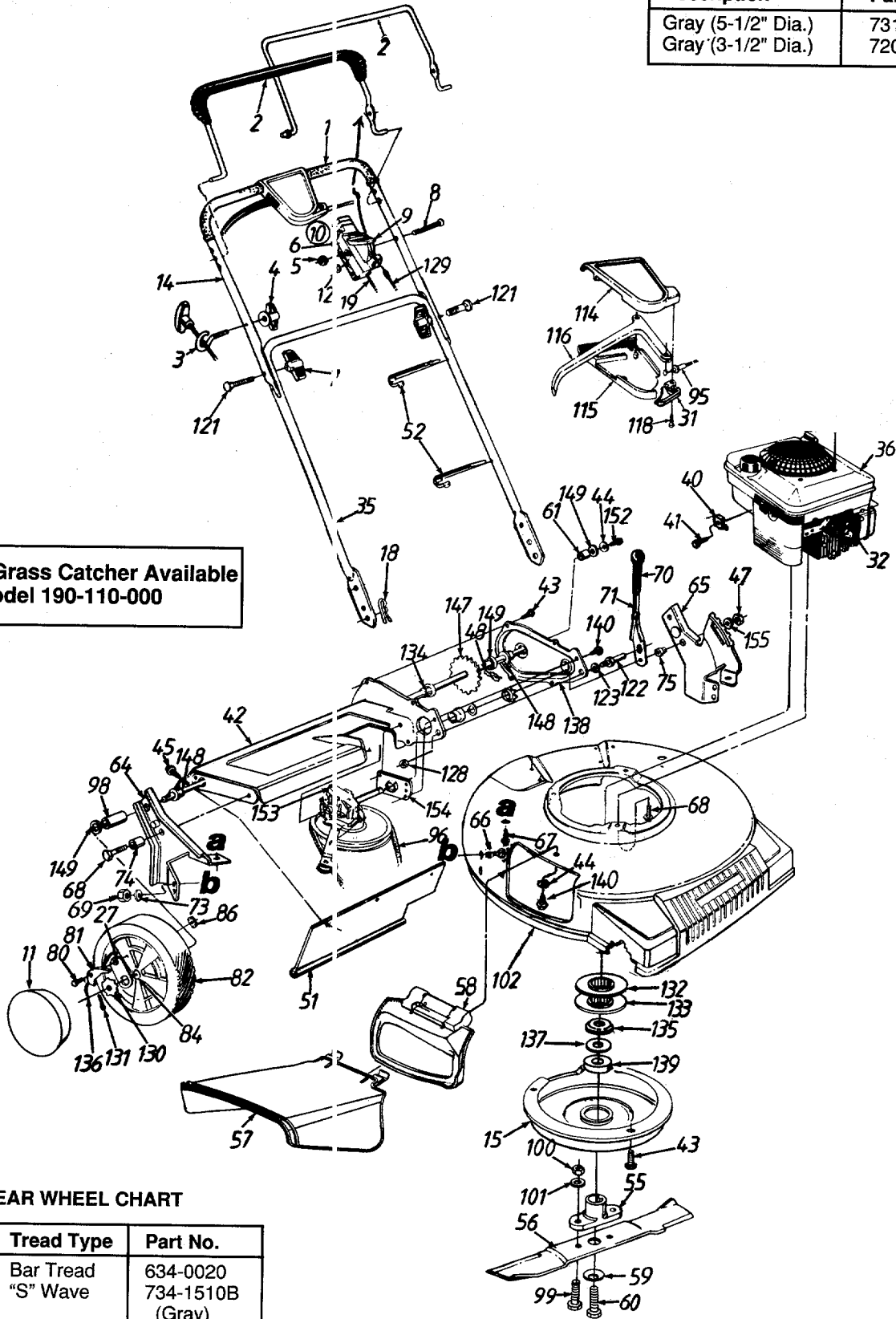
							
Part No. 751B281439 751B281440 751B281443	Color Dark Red Black Bright Red	Part No. 731-1395 731-1396 731-1397	Color Red Black Gray	Part No. 731-1587 731-1603 731-1610	Color Black Yellow Pewter	Part No. 731-1561 731-1612	Color Black Red
Hardware: 710-1256 (Screw)		Hardware: 710-1256 (Screw)		Hardware: 710-1184 (Screw)		Hardware: 7510042823 (Screw)	
							
Part No. 731-1402	Color Yellow	Part No. 7510014308	Color Black	Part No. 731-1585	Color Black	Part No. 731-1586	Color Black
Hardware: 710-1256 (Screw)		Hardware: 7510042823 (Screw)		Hardware: 710-1274 (Screw)		Hardware: 7510042823 (Screw)	

Models 135 and 138

†Optional Hub Caps

Description	Part No.
Gray (5-1/2" Dia.)	731-0981A
Gray (3-1/2" Dia.)	720-0249

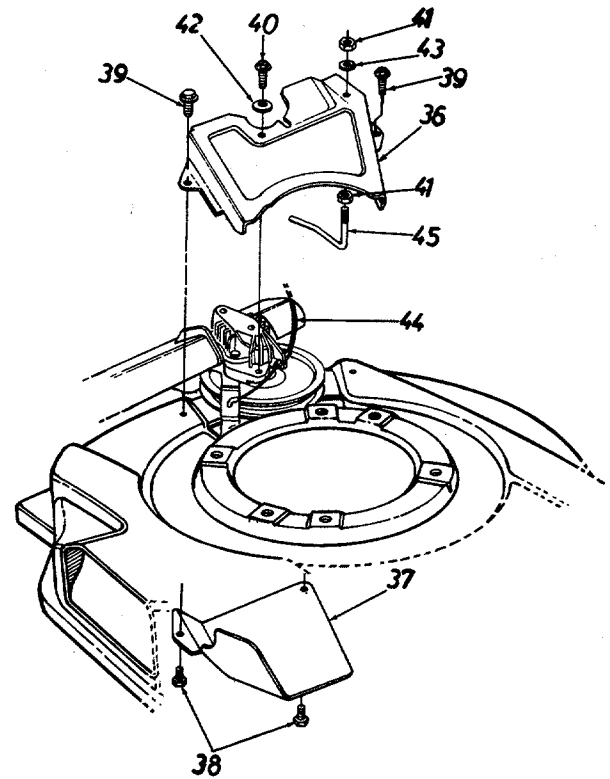
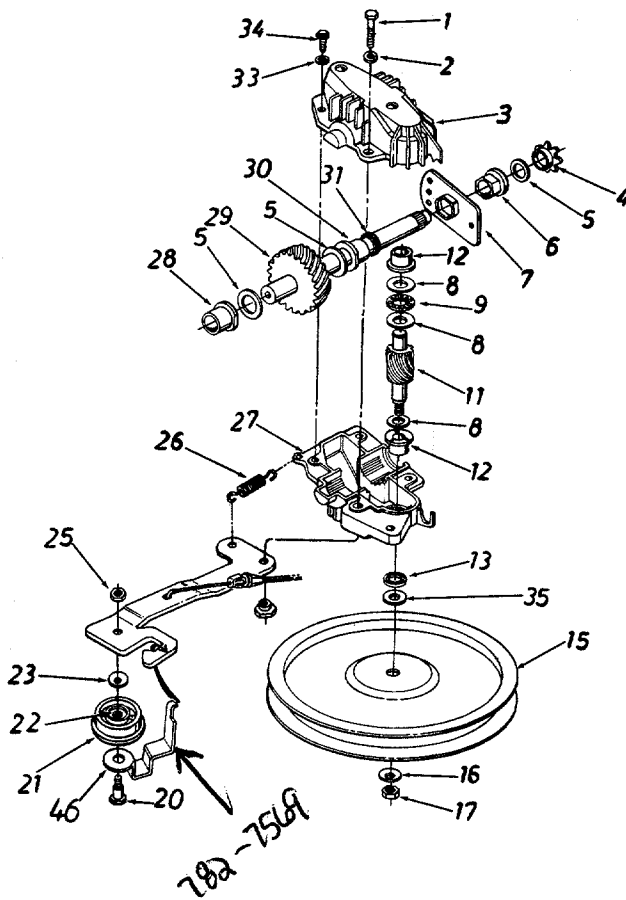
Optional Grass Catcher Available
Model 190-110-000



**REAR WHEEL CHART

Size	Tread Type	Part No.
8" x 1.75"	Bar Tread	634-0020
8" x 2"	"S" Wave	734-1510B (Gray)

Models 233 thru 238



PARTS LIST FOR MODELS 233 THRU 238 ROTARY MOWERS

EF. O.	PART NO.	CODE	DESCRIPTION	REF. NO.	PART NO.	CODE	DESCRIPTION
1	710-0106		Hex Bolt 1/4-20 x 1.25" Lg.*	24	782-7570	N	Idler Brk't. Ass'y.†
2	726-0329		L-Wash. 1/4" I.D.*	25	712-0138		Hex Patch L-Nut 1/4-28 Thd.†
3	717-0418A		Upper Hsg. Half	26	732-0357A		Extension Spring 1.12" Lg.†
4	713-0400		#48 Sprocket 7 Tooth x 1/2 Pitch	27	717-0419A		Lower Hsg. Half
5	736-0336		FI-Wash. 5/8" I.D. x .030	28	741-0415		Flange Bearing .56 Dia.
6	741-0413		Hex Flange Brg. .631" I.D.	29	717-0616A	N	Shaft Ass'y.
7	16500A		Hex Bearing Cup	30	741-0414		Flange Bearing .629 Dia.
8	736-0314		Thrust Wash. .382" I.D. x .70" O.D.	31	721-0213		Oil Seal .625 Dia.
9	741-0479		Thrust Bearing .375" I.D. x .812" O.D.	33	736-0722		L-Wash. #10 I.D.
1	717-1216		11 Tooth Helical Gear	34	710-0436		Hex B-Tap Scr. #10 x .62"
2	748-0208A		Flange Bearing	35	736-0410		Hex Washer .26" x .88"†
3	721-0212		Oil Seal	36	17718		Transmission Belt Guard†
5	756-0330A		FI-Pulley 5.06" I.D.†	37	17064		Belt Cover†
6	736-0270		Bell-Wash. .265" I.D. x .75"†	38	710-0352		Hex B-Tap Scr. 1/4 x .38" Lg.†
7	712-0351		Hex Nut 1/4-28 L.H. Thd.†	39	710-0599		Hex AB-Tap Scr. 1/4 x .50" Lg.†
8	738-0440		Shld. Spacer .375" Dia. x .170"†	40	710-0896		Hex B-Tap Scr. 1/4 x .62" Lg.
0	738-0826		Shld. Bolt .375" Dia. x .40"†	41	712-0287		Hex Nut 1/4-20 Thd.*†
1	656-0008		FI-Idler Plastic 1.50" Dia. (Incl. Ref. 22)†	42	736-0270		Bell-Wash. .265" I.D. x .75"†
2	741-0556		Needle Brg. .375" x .375"†	43	736-0329		L-Wash. 1/4" I.D.*†
3	736-0270		Bell-Wash. .265" I.D. x .75"†	44	746-0710A		S.P. Cable—48" Lg.†
				45	747-0549		S.P. Belt Guard†
				46	782-7569		Belt Guard
				—	717-0417B		Transmission Comp.

†Not Part of Transmission Complete

Models 135 and 138

PARTS LIST FOR MODELS 135 AND 138 ROTARY MOWERS

REF. NO.	PART NO.	CODE	DESCRIPTION	REF. NO.	PART NO.	CODE	DESCRIPTION
1	720-0225		Grip (Optional)	69	712-0267		Hex Nut 5/16-18 Thd.*
2	647-0004		Control Handle w/Plastic	70	720-0223		Grip
	747-0824		Control Handle	71	732-0725		Height Adj. Lever
3	710-1205		Rope Guide	73	736-0242		Bell-Wash. 5/16" I.D.
4	720-0279		Handle Knob 1/4-20 Thd.	74	750-0736		Spacer .383" I.D.
5	712-0324		Hex L-Nut 1/4-20 Thd.	75	750-0624		Shld. Spacer .5" Dia.
6	646-0875		Throttle Body	80	738-0137		Shld. Scr. .342" Dia. x .268
7	720-0276		Hand Knob	81	748-0381		Pawl—R.H.
8	710-0605		Oval C-Sunk Scr.		748-0188B		Pawl—L.H. (Not Shown)
9	745-0876		Throttle Lever	82	**		Wheel Ass'y. Comp.—Rear
10	811-00185		Throttle Box Comp. (Incl. Ref. 5, 6, 8, 9, 12)	84	741-0486B		Sleeve Bearing 1/2" I.D. (Used w/734-1510B Wheel)
11	†		Hub Cap (See Chart)	86	712-0414		Weld Top L-Nut 1/4-20 Thd.
12	736-0501		Spr. Wash. .66" I.D.	95	746-0710A		S.P. Cable—44" Lg.
14	749-0539B		Upper Handle	96	754-0343		"V"—Belt
15	782-7522		Belt Cover	98	711-0313		Sleeve .526" I.D.
18	714-0104		Internal Cotter Pin 5/16" Dia.	99	710-1055		Hex Bolt 3/8-24 x 1.0" Lg.
19	746-0843		Throttle Control Wire 55" Lg. (138C)	100	712-0241		Hex Nut 3/8-24 Thd.
	746-0847		Throttle Control Wire 42" Lg. (135E)	101	736-0169		L-Wash. 3/8" I.D.
27	16855		Pawl Plate	102	782-0027	N	21" Deck Ass'y.
31	731-1059		S.P. Control Cover	114	731-1057		Self-Propelled Control Cover
32	735-0639		Spark Plug Insulator	115	731-1058		Self-Propelled Control Cover
35	749-0928		Lower Handle	116	731-0620		Control Lever
36	—		Engine	118	710-0841		FI—"C"—Sunk Hd. Tap Scr. #10 x .75" Lg.
40	751B213146	N	Cable Clamp (138C)	121	710-1174		Curved Hd. Bolt 5/16-18 x 2" Lg.
	7510007755		Cable Clamp (135E)	122	711-0805		Shld. Pin 1.43" Lg.
41	710-1237		Hex Self-Tap Scr. #10-32 x .62" (138C)	123	736-0169		L-Wash. 3/8" I.D.
	710-0871		Sems Scr. #10-32 x .38" Lg.	128	712-0711		Hex Jam Nut 3/8-24 Thd.*
42	682-7513		Chain—Axle Ass'y.	129	746-0550		Control Cable—39" (138C)
43	710-0653		Hex B-Tap Scr. 5/16-18		746-0737		Control Cable 51" Lg. (135E)
44	736-0270		Bell-Wash. 1/4" I.D.	130	748-0318		Ratchet Wheel 1.62" O.D.
45	710-0224		Hex AB-Tap Scr. 1/4 x .62"	131	714-0115		Cotter Pin 1/8" Dia. x 1"
47	712-0296		Hex Patch L-Nut 3/8-24 Thd.	132	756-0979		Pulley Half
48	713-0361		#48 Chain .500" Pitch x 38 Links	133	756-0962		Pulley Half
51	731-1483		Rear Flap 4.8" x 17.5" Lg.	134	741-0522		Hex Flange Bearing
52	726-0240		Cable Tie	135	736-0513		Spr. Wash. .89" I.D.
55	748-0367		Blade Adapter	136	10622B		Spring—Nylon
56	742-0721		21" Mulching Blade	137	736-0514		FI-Wash. .85" I.D.
57	731-1409		Chute Ass'y.	138	682-7506		Chain Cover Ass'y.
58	682-7002		Mulching Plug Ass'y.	139	748-0358		Crankshaft Spacer
59	736-0452		Bell-Wash. .39" I.D.	140	710-0599		Hex S-Tap Scr. 1/4-20 x .50"
60	710-1257		Hex Bolt 3/8-24 x 2.5"	147	738-0864		Rear Shaft Ass'y. 21.44" Lg.
61	748-0190		Spacer .513" I.D.	148	741-0324		Hex Flange Brg. .506" I.D.
63	736-0119		L-Wash. 5/16" I.D.*	149	736-0160		FI-Wash. .531" I.D. x .930"
64	682-3006A		R.H. Handle Wheel Brkt. Ass'y.	152	710-0751		Hex Bolt 1/4-20 x .62" Lg. (Grade 5)
65	682-3007A		L.H. Handle Wheel Brkt. Ass'y.	153	717-0417B		Transmission Comp. (See Breakdown)
66	710-0260		Carriage Bolt 5/16-18 x .62"	154	16500A		Hex Bearing Cup
67	710-0607		Hex B-Tap Scr. 5/16-18	155	736-0300		FI-Wash. .385" I.D. x .87" O.D.
68	710-0654A		Hex TT-Tap Scr. 3/8-16				

Models 233 thru 238

PARTS LIST FOR MODEL S 233 THRU 238 ROTARY MOWERS (CONTINUED)

REF. NO.	PART NO.	CODE	DESCRIPTION	REF. NO.	PART NO.	CODE	DESCRIPTION
131	714-0115		Cotter Pin 1/8" Dia.	148	741-0324		Hex Flange Bearing
134	741-0522		Hex Flange Bearing	149	736-0160		Fl-Wash. .531" I.D. x .93"
136	10622B		Spring—Nylon	153	717-0417B		Transmission Comp (See Breakdown)
138	17053A		Chain Cover				Hex Bearing Cup
147	738-0719A		Rear Shaft Ass'y. 21.94" Lg.	154	16500A		

*For faster service obtain standard nuts, bolts and washers locally. If these items cannot be obtained locally, order by part number and size as shown on parts list.

††Part of Optional Mulching Kit—Model 190-100-000.

**WHEEL CHART

Size	Tread Type	Front Wheels		Rear Wheels	
		Part No.	Bearings	Part No.	Bearings
8" x 1.75"	Bar Tread	634-0020	—	634-0020	—
8" x 2"	"S" Wave	734-1512A	—		
8" x 2"	"S" Wave	734-1513B	741-0484 Ball Brg.	734-1510B	741-0486B Sleeve Brg.

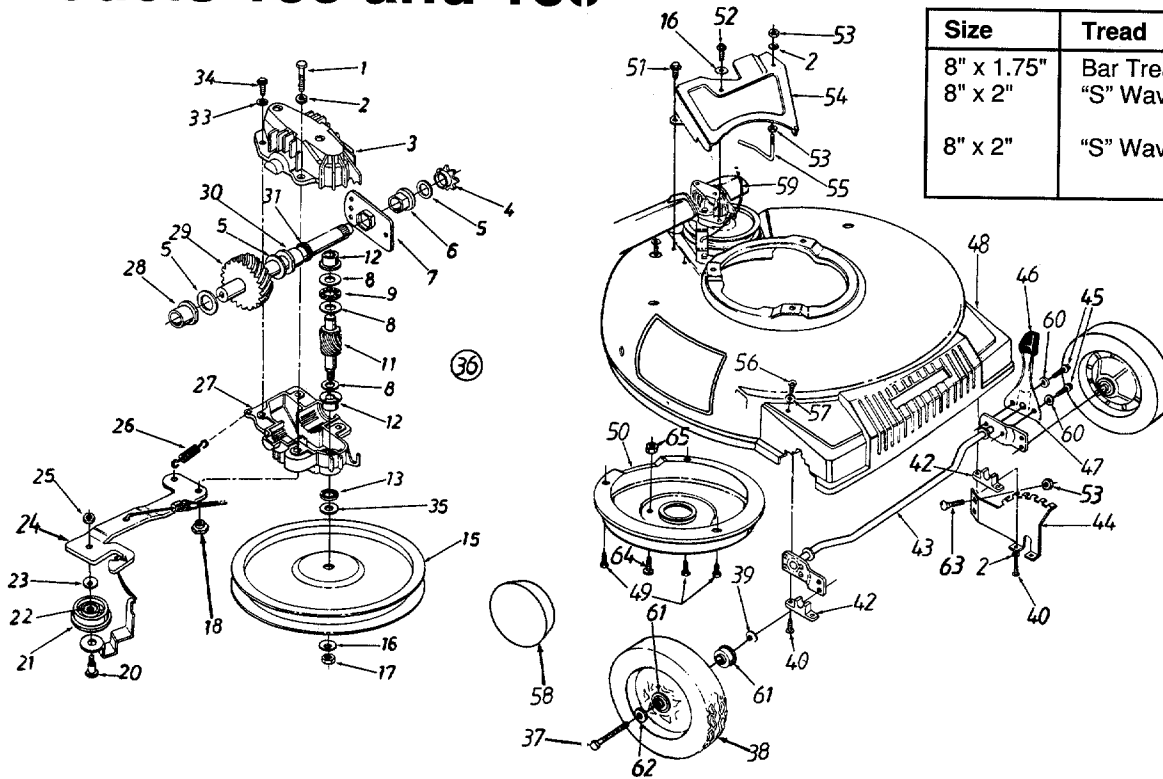
**Optional Hub Caps

Description	Part No.
Gray (3-1/2" Dia.)	720-0249
Gray (5-1/2" Dia.)	731-0981A

Models 135 and 138

**FRONT WHEEL CHART

Size	Tread	Part No.
8" x 1.75"	Bar Tread	634-0020
8" x 2"	"S" Wave	734-1512A (Gray— w/o Ball Bearing)
8" x 2"	"S" Wave	734-1513B (Gray— w/Ball Bearing)



PARTS LIST FOR MODELS 135 AND 138 ROTARY MOWERS

REF. NO.	PART NO.	CODE	DESCRIPTION	REF. NO.	PART NO.	CODE	DESCRIPTION
1	710-1062		Hex Patch Bolt 1/4-20 x 1.25"†	36	717-0417B		Transmission Comp.
2	736-0329		L-Wash. 1/4" I.D.*†	37	738-0102		Front Axle Bolt
3	717-0418A		Upper Hsg. Half†	38	**		Wheel Ass'y. Comp.
4	713-0400		#48 Sprocket 7 T x 1/2 Pitch†	39	736-0105		Bell-Wash. .380" I.D. x .88
5	736-0336		Fl-Wash. 5/8" I.D. x .030†	40	710-1241		Hex Wash. Hd. Tap Scr.
6	741-0413		Hex Flange Brg. .631" I.D.†				1/4-20 x 1" Lg.
7	16500A		Hex Bearing Cup†	42	741-0492A		Block Bushing
8	736-0314		Thrust Wash. .382" I.D. x .70" O.D.†	43	17733		Axle Ass'y.
9	741-0479		Thrust Bearing .375" I.D. x .812" O.D.†	44	782-0516		Height Adj. Bracket
11	717-1216		11 Tooth Pinion Shaft†	45	710-0653		Hex TT-Tap Scr. 1/4-20 x .38"
12	748-0208A		Flange Bearing†	46	720-0190		Knob
13	721-0212		Oil Seal†	47	732-0639		Spring Lever
15	756-0330A		Fl-Pulley 5.06" O.D.	48	731-1281		Plastic Front End
16	736-0270		Bell-Wash. .265" I.D. x .75"	49	710-0352		Hex B-Tap Scr. 1/4" x .38"
17	712-0351		Hex L-Nut 1/4-28 L.H. Thd.	50	782-7522		Belt Cover
18	738-0440		Shld. Spacer .375" Dia. x .170	51	710-0599		Hex Wash. Hd. TT-Scr. 1/4-20
20	738-0826		Shld. Bolt .375" Dia. x .40"	52	710-0896		Hex Wash. Hd. B-Tap Scr.
21	656-0008		Fl-Idler Plastic 1.50" Dia. (Incl. Ref. 22)	53	712-3027		1/4 x .62" (Spec.)
22	741-0556	N	Needle Brg. .375" x .31	54	712-3027		Hex Flange L-Nut 1/4-20 Thd.
24	782-7570		Idler Brk't. Ass'y.	55	782-7569	N	Transmission Belt Guard
25	712-0138		Hex Patch L-Nut 1/4-28 Thd.	56	747-0549		S.P. Belt Guard
26	732-0357A		Extension Spring 1.12" Lg.	57	710-1242		Torx Scr. 5/16 x .75" Lg.
27	717-0419A		Lower Hsg. Half†	58	710-1242		Bell-Wash. .345" I.D. x .88"
28	741-0415		Flange Bearing .566 Dia.†	59	736-0242		Hub Cap
29	717-0616A		Shaft Ass'y.†	60	†		S.P. Cable 44" Lg.
30	741-0414		Flange Bearing .629 Dia.†	61	746-0710A		External L-Wash. 1/4" I.D.
31	721-0213		Oil Seal .625 Dia.†	62	736-0222		Ball Bearing 1/2" I.D. (Used w/734-1513B Wheel)
33	736-0722		L-Wash. #10 I.D.†	63	741-0484		Wave Wash. .53" I.D. (Used w/Ref. 61)
34	710-0436		Hex B-Tap Scr. #10 x .62"†	64	736-0504		Carriage Bolt .5" Lg.
35	736-0410		Hex Washer .26" x .88"	65	710-0167		Mach. Scr. 1/4-20 x 2" Lg.
					710-1131		Hex L-Nut 1/4-20 Thd.
					712-0324		

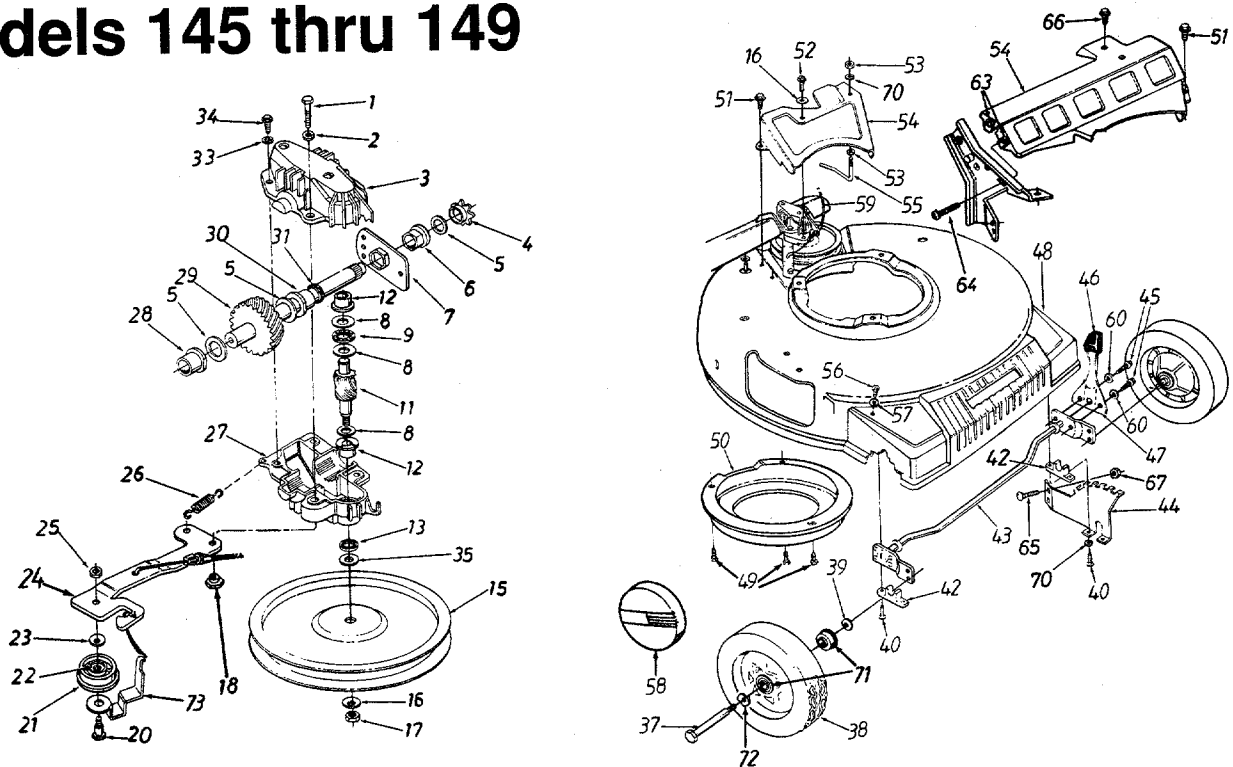
† Part of Transmission Complete, Ref. No. 36.

Models 233 thru 238

PARTS LIST FOR MODELS 233 THRU 238 ROTARY MOWERS

REF. NO.	PART NO.	CODE	DESCRIPTION	REF. NO.	PART NO.	CODE	DESCRIPTION
1	747-0824		Control Handle Ass'y. (Std.)	51	15261A		Height Adj. Plate
2	720-0225		Foam Grip (2 Req'd.) (Optional)	52	**		Wheel Ass'y. Comp.
3	746-0876		Throttle Lever	53	14578		Height Adj. Ass'y. Comp.—R.H.
4	710-0605		Oval C-Sunk Scr.		14579		Height Adj. Ass'y. Comp.—L.H.
5	712-0324		Hex L-Nut 1/4-20 Thd.	54	738-0102		Shld. Bolt .498" Dia. x 1.45"
6	736-0501		Spr. Wash. .66" I.D.	55	736-0504		Wave Wash. .51" I.D. x .78"
7	646-0875		Throttle Body	58	736-0300		Fl-Wash. .385" I.D. x .87"
8	811-00185		Throttle Box Comp. (Incl. Ref. 3, 4, 5, 6, 7)	59	712-0296		Hex Patch L-Nut 3/8-24 Thd.
				60	**		Hub Cap
9	747-0854		S.P. Bail Ass'y.	62	731-1483		Rear Flap
10	16309A		Cable Bracket	63	16137C	N	L.H. Handle Wheel Brkt. Ass'y.
11	746-0843		Throttle Cable 55" Lg. (234, 236, 238)	64	16136C	N	R.H. Handle Wheel Brkt. Ass'y.
	746-0847		Throttle Cable 42" Lg. (233)	65	713-0353		#48 Chain .5" Pitch x 30 Links
12	710-0726		Hex Wash. AB-Tap Scr. 5/16 x .75" Lg.	67	720-0279		Handle Knob 1/4-20 Thd.
				68	731-1386A		Mulching Baffle (Optional)††
13	756-0554		Keyed Pulley (234)	70	720-0223		Grip
14	710-1174		Curved Hd. Bolt 5/16-18 x 2"	71	732-0606		Height Adj. Lever
15	746-0550		Control Cable 39" Lg. (234, 236, 238)	72	732-0481		Ext. Spring .5" O.D. x 3.8" Lg.
				73	736-0242		Bell-Wash. 5/16" I.D.
	746-0737		Control Cable 51" Lg. (233)	74	750-0736		Spacer .383" I.D. x .503"
16	736-0119		L-Wash. 5/16" I.D.*	75	750-0624		Shld. Spacer .5" Dia.
17	710-1205		Rope Guide	80	738-0137		Shld. Scr. .342" Dia. x .268"
18	749-0538C		Upper Handle (Dual Bail)	81	748-0381		Pawl—R.H.
19	720-0276		Hand Knob		748-0188B		Pawl—L.H. (Not Shown)
20	726-0240		Cable Tie	82	**		Wheel Ass'y. Comp.
21	736-0105		Bell-Wash. .38" I.D. x .88"	84	**		Bearing
22	712-0798		Hex Nut 3/8-16 Thd.*	85	736-0513		Spr. Wash. .89" I.D.
23	712-0241		Hex Nut 3/8-24 Thd.*	86	736-0514		Fl-Wash. .885" I.D.
24	710-0751		Hex Bolt 1/4-20 x .62" Lg. (Grade 5)	89	749-0539B		Upper Handle (Single Bail)
				90	736-0169		L-Wash. 3/8" I.D.*
25	736-0270		Bell-Wash. 1/4" I.D.	91	710-1055		Hex Bolt 3/8-24 x 1.0" Lg.
26	736-0160		Fl-Wash. .531" I.D. x .93"	92	756-0962		Upper Pulley Half
27	749-0928		Lower Handle	93	736-0450		Bell-Wash. 1.01" I.D. (Used w/Splined Adapter)
28	748-0190		Spacer .513" I.D. x .703"	94	748-0358		Crankshaft Spacer
29	747-0710		Hinge Pin	95	756-0961		Lower Pulley Half
30	753-0484		Blade Adapter Kit	96	754-0369		"V"-Belt
31	736-0452		Bell-Wash. .39" I.D.	97	714-0104		Hairpin Clip
32	710-1044		Hex Bolt 3/8-24 x 1.5" Lg.	98	731-1057		Control Cover—Upper Half
33	742-0622		22" Blade	99	746-0710A		S.P. Cable (Single Bail)
	742-0722		Mulching Blade (Optional)††	100	735-0639		Spark Plug Boot
34	710-0654A		Hex L-Wash. Hd. Scr. 3/8-16 x 1.0" Lg.	101	16855		Pawl Plate
				102	712-0414		Weld L-Nut 1/4-20 Thd.
35	17032		Adapter Plate	103	714-0122		Sq. Key 3/16" x 3/4" Lg. (234)
36	732-0593		Torsion Spring	104	710-0497		Set Scr. #10-32 x .25" Lg. (234)
37	710-0599		Hex Self-Tap Scr. 1/4-20 x .5"	105	751B213146		Cable Clamp
38	731-1034		Chute Deflector Ass'y.		7510007755	N	Cable Clamp (233)
39	710-0260		Carriage Bolt 5/16-18 x .62" Lg.	106	710-1237		Hex Wash. Hd. Scr. #10-32 x .62" Lg.
40	—		Engine				Hex Sems Scr. #10-32 x .38" Lg. (233)
41	746-0594		Drive Cable—41.5" Lg. (Dual Bail)		710-0871		Control Lever
42	17055B		Chain—Axle Ass'y.	107	731-0620		Control Cover—Lower Half
43	710-0653		Hex Tap Scr. 1/4 x .38" Lg.	108	731-1058		Sleeve Brg. 1/2" I.D.
44	710-0603		Hex Wash. Hd. B-Tap Scr. 5/16-18	109	741-0486B		Mounting Cap
45	710-0776A		Hex AB-Tap Scr. 1/4 x .62"	110	731-1059		Fl-"C"-Sunk Hd. Tap Scr. #10 x .75" Lg.
46	736-0258		Fl-Wash. .385" I.D. x 1" O.D.	111	710-0841		Shld. Pin 3/8-24 x 1.43" Lg.
47	682-0001A		22" Deck Ass'y.	122	711-0805		Hex Jam Nut 3/8-24 Thd.
48	738-0507B		Shld. Bolt .5" Dia. x .357	128	712-0711		Ratchet Wheel 1.62" O.D.
49	14832		Spring Lever Ass'y. w/Knob	130	748-0318		
50	15262B		Pivot Bar				

Models 145 thru 149



PARTS LIST FOR MODELS 145 THRU 149 ROTARY MOWERS

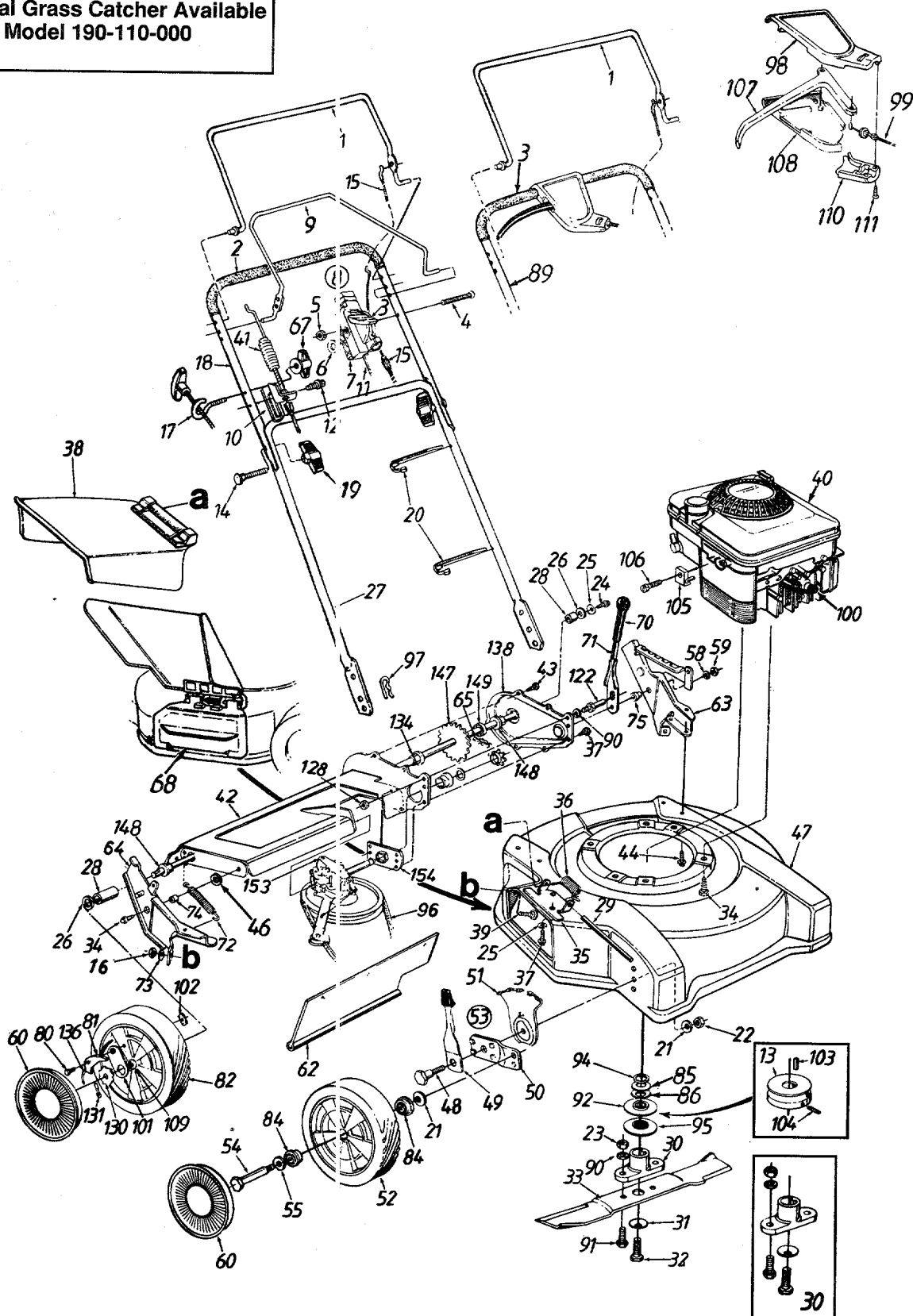
REF. NO.	PART NO.	CODE	DESCRIPTION	REF. NO.	PART NO.	CODE	DESCRIPTION
1	710-1062		Hex Patch Bolt 1/4-20 x 1.25"†	38	734-1512A		Wheel Ass'y. Comp. (Gray Rim)
2	736-0329		L-Wash. 1/4" I.D.*†		734-1790		Wheel Ass'y. Comp. (Yellow Rim)
3	717-0418A		Upper Hsg. Half†		734-1517B		Wheel Ass'y. Comp. (Beige Rim)
4	713-0400		#48 Sprocket 7 T x 1/2 Pitch†	39	736-0105		Bell-Wash. .380" I.D. x .88
5	736-0336		FI-Wash. 5/8" I.D. x .030†	40	710-1241		Hex Wash. Hd. Scr. 1/4 x 1" Lg.
6	741-0413		Hex Flange Brg. .631" I.D.†	42	741-0492A		Block Bushing
7	16500A		Hex Bearing Cupt	43	17733		Axle Ass'y.
8	736-0314		Thrust Wash. .382" I.D. x .70" O.D.†	44	782-0516		Height Adj. Bracket
9	741-0479		Thrust Bearing .375" I.D. x .812" O.D.†	45	710-0653		Hex TT-Tap Scr. 1/4-20 x .38"
11	717-1216		11 Tooth Pinion Shaft†	46	720-0190		Knob
12	748-0208A		Flange Bearing†	47	732-0639		Spring Lever
13	721-0212		Oil Seal†	48	731-1281		Plastic Front End (Black)
15	756-0330A		FI-Pulley 5.06" O.D.		731-1507		Plastic Front End (Yellow)
16	736-0270		Bell-Wash. .265" I.D. x .75"	49	710-0352		Hex B-Tap Scr. 1/4" x .38"
17	712-0351		Hex L-Nut 1/4-28 L.H. Thd.	50	782-7558		Belt Cover
18	738-0440		Shld. Spacer .375" Dia. x .170	51	710-0599		Hex Wash. Hd. TT-Scr. 1/4-20
20	738-0826		Shld. Bolt .375" Dia. x .40"	52	710-0896		Hex Wash. Hd. B-Tap Scr. 1/4 x .62" (Spec.)
21	656-0008		FI-Idler Plastic 1.50" Dia. (Incl. Ref. 22)	53	712-0287		Hex Nut 1/4-20 Thd.*
22	741-0556	N	Needle Brg. .375" x .31	54	782-7569	N	Transmission Belt Cover
24	782-7570		Idler Brk't. Ass'y.		782-7554		Transmission Belt Cover††
25	712-0138		Hex Patch L-Nut 1/4-28 Thd.	55	747-0549		S.P. Belt Guard
26	732-0357		Extension Spring 1.12" Lg.	56	710-1242		Torx Truss Hd. Scr. 5/16 x .75"
27	717-0419A		Lower Hsg. Half†	57	736-0242		Bell-Wash. .345" I.D. x .88"
28	741-0415		Flange Bearing .566 Dia.†	58	†		Hub Cap (See Chart)
29	717-0616A		Shaft Ass'y.†	59	746-0710A		S.P. Cable
30	741-0414		Flange Bearing .629 Dia.†	60	736-0222		External L-Wash. 1/4" I.D.
31	721-0213		Oil Seal .625 Dia.†	63	712-0147		Speed Nut #10-24 Thd.††
33	736-0722		L-Wash. #10 I.D.†	64	710-1003		Hex Tap Scr. #10-16 x .5" Lg.††
34	710-0436		Hex B-Tap Scr. #10 x .62"†	65	710-0167		Carr. Bolt 1/4-20 x .5" Lg.
35	736-0410		Hex Washer .26" x .88"	66	710-0603		Hex B-Tap Scr. 5/16-18 x .5" Lg.††
36	717-0417B		Transmission Comp.	67	712-3027		Hex Flange L-Nut 1/4-20 Thd.
37	738-0102		Front Axle Bolt	70	736-0329		L-Wash. 1/4" I.D.*
				71	741-0484		Wheel Bearing (Optional)
				72	736-0504		Wave Washer (Used w/Ref. 71)

† Part of Transmission Complete, Ref. No. 36.

†† Models 145B and 149A Only.

Models 233 thru 238

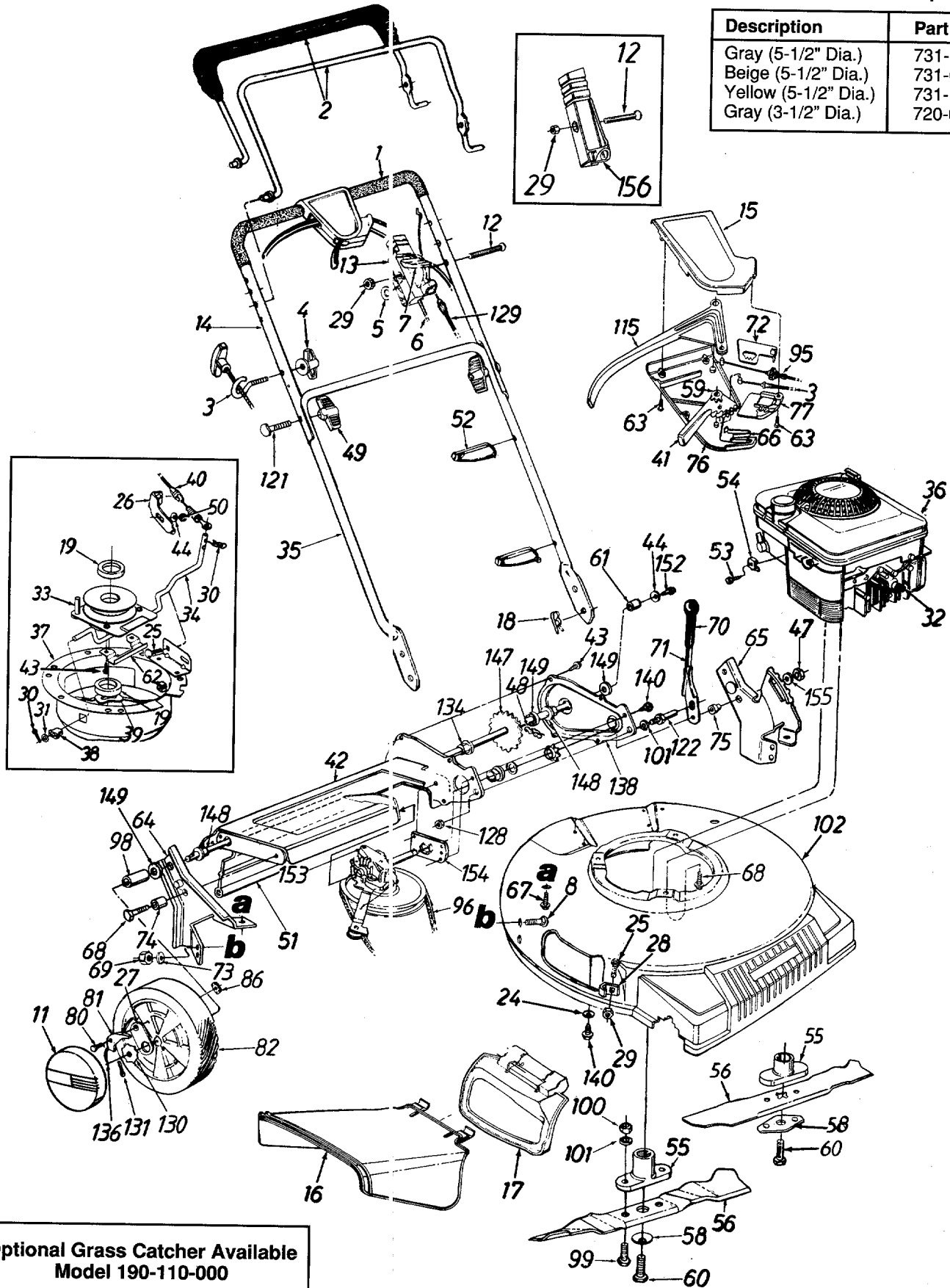
Optional Grass Catcher Available
Model 190-110-000



Models 145 thru 149

†Optional Hub Caps

Description	Part No.
Gray (5-1/2" Dia.)	731-0981A
Beige (5-1/2" Dia.)	731-0982A
Yellow (5-1/2" Dia.)	731-1426
Gray (3-1/2" Dia.)	720-0249



Optional Grass Catcher Available
Model 190-110-000

Models 145 thru 149

PARTS LIST FOR MODELS 145 THRU 149 ROTARY MOWERS

EF. IO.	PART NO.	CODE	DESCRIPTION	REF. NO.	PART NO.	CODE	DESCRIPTION
1	720-0225		Grip (2 Req'd.—Optional)	58	736-0452		Bell-Wash. .39" I.D. x 1.14" O.D.
2	747-0824		Control Handle (Std.)		736-0524		Blade Bell Support (Model 149A Only)
	647-0004		Control Handle (Deluxe)				Gear Insert
3	710-1205		Rope Guide	59	713-0397		Hex Bolt 3/8-24 x 2.5" Lg. (Gr. 8)
4	720-0279		Handle Knob 1/4-20 Thd.	60	710-1257		Spacer .513" I.D.
5	736-0501		Curved Spring Wash. .66" I.D. (148 and 149)	61	748-0190		Bracket—Shift Plate
				62	782-7563		C-Sunk Tap Scr. #10 x .75" Lg.
6	746-0843		Throttle Wire—55" Lg. (148 and 149)	63	710-0841		R.H. Handle Wheel Brkt. Ass'y.
				64	682-3006A		L.H. Handle Wheel Brkt. Ass'y.
7	746-0876		Throttle Lever (148 and 149)	65	682-3007A		Shift Lever Spring
8	710-0260		Carriage Bolt 5/16-18 x .62" Lg.	66	732-0627		Hex B-Tap Scr. 5/16-18
11	†		Hub Cap (See Chart)	67	710-0603		Hex TT-Tap Scr. 3/8-16
12	710-0605		Oval C-Sunk Mach. Scr. (148 and 149)	68	710-0654A		Hex Nut 5/16-18 Thd.*
	710-1270		Oval C-Sunk Mach. Scr. (Model 145B Only)	69	712-0267		Grip
				70	720-0223		Height Adj. Lever
13	646-0875		Throttle Body (148 and 149)	71	732-0725		6 Spd. Rack Cable Brkt.
14	749-0539B		Upper Handle	72	16864		Bell-Wash. 5/16" I.D.
15	731-0904		Upper Control Housing	73	736-0242		Spacer .383" I.D.
16	731-1409		Side Chute Deflector	74	750-0736		Shld. Spacer .5" Dia.
18	714-0104		Internal Cotter Pin 5/16" Dia.	75	750-0624		Lower Control Housing
19	750-0968		Spacer .88" I.D.	76	731-0905		Cable Mounting Cap
23	682-7002		Mulch Plug Ass'y.	77	731-0906		Shld. Scr. .342" Dia. x .268
24	736-0270		Bell-Wash. .265" I.D. x .75" O.D.	80	738-0137		Pawl—R.H.
25	710-0167		Carriage Bolt 1/4-20 x .5" Lg.	81	748-0381		Pawl—L.H. (Not Shown)
26	17070		Adjustable Cable Bracket	82	748-0188B		Wheel Ass'y. Comp. (Gray Rim)
27	16855		Pawl Plate		734-1510B		Wheel Ass'y. Comp. (Yellow Rim)
28	782-7009		Chute Stop Bracket		734-1791		Wheel Ass'y. Comp. (Beige Rim)
29	712-0324		Hex L-Nut 1/4-20 Thd.		734-1514B		Wheel Bearing
30	714-0507		Cotter Pin 3/32" Dia. x .75"	86	741-0486B		Weld Top L-Nut 1/4-20 Thd.
31	736-0278		Fl-Wash. .328" I.D. x .68"	86	712-0414		S.P. Cable
32	735-0639		Spark Plug Insulator	95	746-0710A		"V"-Belt
33	656-0612		Pulley Ass'y.	96	754-0343		Sleeve .526" I.D.
34	747-0882A		Shift Rod	98	711-0313		Hex Bolt 3/8-24 x 1.0" Lg.
35	749-0928		Lower Handle	99	710-1055		Hex Nut 3/8-24 Thd.
36	—		Engine	100	712-0241		L-Wash. 3/8" I.D.
37	682-7514		Housing Ass'y.	101	736-0169		21" Deck Ass'y.
38	731-1137		Flanged Bushing	102	782-0027	N	Control Lever
39	736-0526		Wave Washer .88" I.D.	115	731-0620		Curved Hd. Bolt 5/16-18 x 2" Lg.
40	746-0706		6 Spd. Cable	121	710-1174		Shld. Pin 1.43" Lg.
41	731-0924		6 Spd. Shift Lever	122	711-0805		Hex Jam Nut 3/8-24 Thd.*
42	682-7513		Chain—Axle Ass'y.	128	712-0711		Control Cable—39" (148 and 149)
43	710-0653		Hex Tap Scr. 1/4" x .38"	129	746-0550		Control Cable—51" (145)
44	736-0270		Bell-Wash. 1/4" I.D.	130	746-0737		Ratchet Wheel 1.62" O.D.
47	712-0296		Hex Patch L-Nut 3/8-24 Thd.	131	748-0318		Cotter Pin 1/8" Dia. x 1"
48	713-0361		#48 Chain .500" Pitch x 38 Links	134	714-0115		Hex Flange Bearing
49	720-0241		Hand Knob	136	741-0522		Spring—Nylon
50	712-0291		Hex L-Nut 1/4-20 Thd.	136	10622B		Chain Cover Ass'y.
51	731-1483		Rear Flap 4.8" x 17.5" Lg.	138	682-7506		Hex TT-Tap Scr. 1/4-20 x .50"
52	726-0240		Cable Tie	140	710-0599		Rear Shaft Ass'y. 21.44" Lg.
53	710-1237		Hex Wash. Hd. Scr. #10-32 x .62" Lg.	147	738-0864		Hex Flange Brg. .506" I.D.
				148	741-0324		Fl-Wash. .531" I.D. x .930"
				149	736-0160		Hex Bolt 1/4-20 x .62" Lg. (Gr. 5)
54	751B213146		Casing Clamp (148 and 149)	152	710-0751		Transmission Comp.
55	748-0367		Blade Adapter (145 and 148)	153	717-0417B		(See Breakdown)
	748-0377		Blade Adapter (Model 149A Only)				Hex Bearing Cup
56	742-0721		21" Mulching Blade	154	16500A		Fl-Wash. .385" I.D. x .87" O.D.
	742-0741		21" Mulching Blade (Model 149A Only)	155	736-0300		Control Housing (Model 145B Only)
				156	746-0883		

For faster service obtain standard nuts, bolts and washers locally. If these items cannot be obtained locally, order by part number and size as shown on parts list.