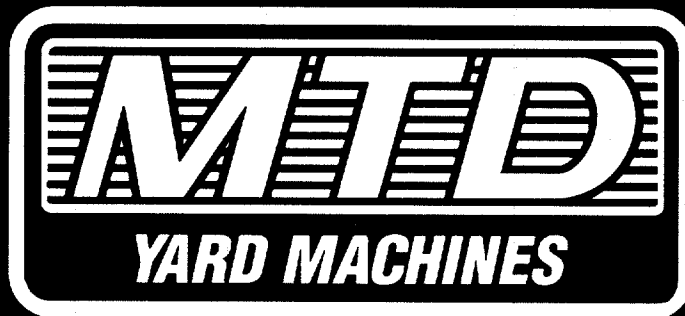


ILLUSTRATED PARTS

AMERICAN  AMERICAN
M A D E O W N E D
OUTDOOR POWER EQUIPMENT



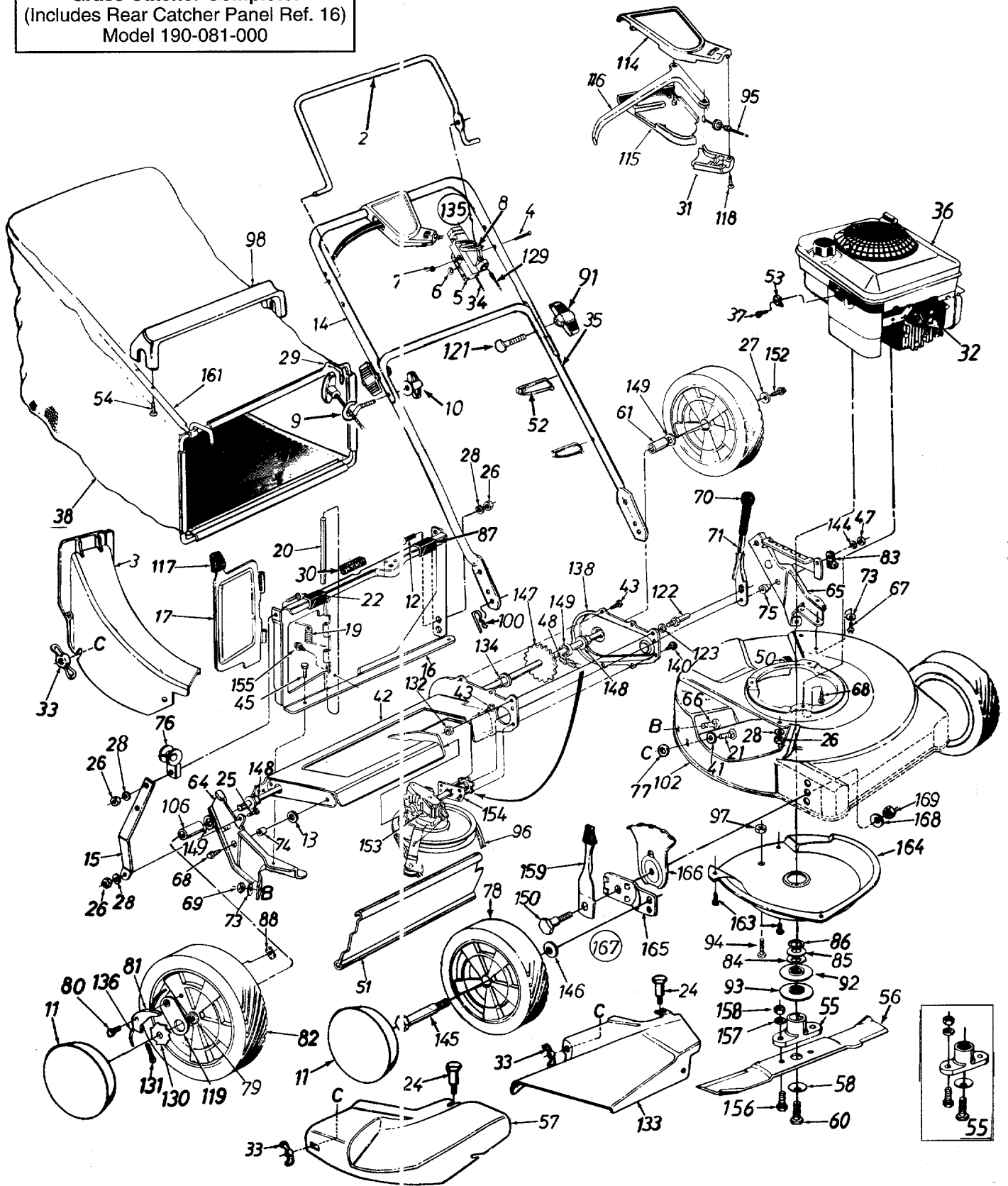
1994

SELF-PROPELLED MOWERS

Model Number	Pages
124-828F000 and 124-828I000	2-5
124-848C000 and 124-848L000.....	6-9
124E848M000	9-12

Model 828

Grass Catcher Complete:
(Includes Rear Catcher Panel Ref. 16)
Model 190-081-000



Model 828

PARTS LIST FOR MODEL 828 ROTARY MOWER

REF. NO.	PART NO.	CODE	DESCRIPTION	REF. NO.	PART NO.	CODE	DESCRIPTION
2	747-0824		Control Handle Ass'y.—L.H.	66	710-0260		Carriage Bolt 5/16-18 x .62**
3	731-1023		Rear Discharge Chute Ass'y.	67	710-0603		Hex Wash. Hd. B-Tap Scr. 5/16-18
4	710-0605		Oval C-Sunk Scr.				Hex Wash. Hd. TT-Tap Scr. 3/8-16
5	646-0875		Throttle Body	68	710-0654A		Hex Nut 5/16-18 Thd.*
6	736-0501		Spr. Wash. .66" I.D.				Grip
7	712-0324		Hex L-Nut 1/4-20 Thd.	69	712-0267		Height Adj. Lever
8	746-0876		Throttle Lever	70	720-0223		Bell-Wash. 5/16" I.D.
9	710-1205		Rope Guide	71	732-0606		Spacer
10	720-0279		Wing Nut 1/4-20 Thd.	73	736-0242		Shld. Spacer .500" Dia.
11	720-0249		Hub Cap	74	750-0736		Rope Guide
12	710-0946		Truss Mach. Scr. 1/4-20 x .62"	75	750-0624		Bolt Retainer 1/4 x .50" O.D.
13	736-0258		Fl-Wash. .383" I.D. x 1" O.D.	76	719-0279		Front Wheel Ass'y. Comp.
14	749-0439B		Upper Handle	77	726-0233		Bearing 1/2" I.D.
15	16129A		Panel Support Brkt.	78	734-1512A		Shld. Scr. .342" Dia. x .268
16	16862		Rear Catcher Panel Ass'y.	79	741-0486B		Pawl
17	17095A		Rear Discharge Door	80	738-0137		Rear Wheel Ass'y. Comp.
19	732-0483A		Torsion Spring	81	748-0188B		Clamp
20	747-0514		Pivot Pin	82	734-1510B		Fl-Wash. .88" I.D.
21	710-0134		Carriage Bolt 1/4-20 x .62**	83	726-0175		Spr-Washer .89" I.D.
22	710-0255		Truss Mach. Scr. 1/4-20 x 3/4"	84	736-0514		Crankshaft Spacer
24	738-0704		Shoulder Bolt .312 Dia. x .18 Lg.—Special	85	736-0513		Panel Clip
25	710-0258		Hex Bolt 1/4-20 x .62" Lg.*	86	748-0358		Weld L-Nut 1/4-20 Thd.
26	712-0287		Hex Nut 1/4-20 Thd.*	87	731-0880		Hand Knob
27	736-0270		Bell-Wash. 1/4" I.D.	88	712-0414		Pulley Half—Upper
28	736-0329		L-Wash. 1/4" I.D.*	91	720-0276		Pulley Half—Lower
29	747-0705		Front Grass Catcher Frame	92	756-0962		Phil. Mach. Scr. 1/4-20
30	722-0139		Foam Strip	93	756-0961		S.P. Cable
31	731-1059		S.P. Control Cover	94	710-0578		"V"—Belt
32	735-0639		Spark Plug Insulator	95	746-0710A		Sems Nut 1/4-20 Thd.
33	712-0397		Wing Nut w/Washer	96	754-0343		Bag Handle
34	746-0674		Throttle Control Wire 61"	97	712-0271		Hairpin Clip
35	749-0907		Lower Handle	98	731-0801		21" Deck Ass'y.
36	—		Engine	100	714-0104		Sleeve .526" I.D. x .690" O.D. x .880" Lg.
37	710-1237		Hex Self-Tap Scr. #10-32 x .62"	102	682-0021		Shld. Bolt .575" Dia. x .42
38	764-0257		Grass Bag	106	711-0313		Self-Propelled Control Cover
41	736-0204		Fl-Wash. .344" I.D. x .62"	112	738-0705		Self-Propelled Control Cover
42	17055B		Chain—Axle Ass'y.	114	731-1057		Control Lever
43	710-0352		Hex B-Tap Scr. 1/4" x .38" Lg.	115	731-1058		Door Grip
45	710-0776A		Hex AB-Tap Scr. 1/4 x .62"	116	731-0620		Fl—"C"—Sunk Hd. Tap Scr. #10 x .75" Lg.
47	712-0296		Hex Patch L-Nut 3/8-24 Thd.	117	720-0190		Pawl Plate
48	713-0353		#48 Chain .500" Pitch x 30 Links	118	710-0841		Curved Carr. Bolt 5/16-18 x 2" Lg.
49	712-0346		Hex L-Nut 1/2-20 Thd.				Shld. Pin 3/8-24 x 1.43" Lg.
50	731-0564		Plug	119	16855		L-Wash. 3/8" I.D.*
51	731-1488		Rear Flap	121	710-1174		Control Cable 47" Lg.
52	726-0240		Cable Tie				Ratchet Wheel 1.62" O.D.
53	751B213146		Cable Clamp	122	711-0805		Cotter Pin 1/8" Dia. x 1.00" Lg.*
54	710-1025		Hex AB Scr. #12 x 1.25" Lg.	123	736-0169		Hex Jam Nut 3/8-24 Thd.
55	753-0484		Blade Adapter Kit	129	746-0912		Side Chute Deflector Ass'y.
56	742-0721		21" Mulching Blade	130	748-0318		Hex Flange Bearing
57	731-1343		Mulching Plug	131	714-0115		Throttle Box Comp.
58	736-0452		Bell-Wash. .39" I.D.	132	712-0711		(Incl. Ref. 4, 5, 6, 7, 8)
60	710-1044		Hex Bolt 3/8-24 x 1.5" Lg. (Grade 5)	133	731-0884		Spring—Nylon
61	748-0190		Spacer .513" I.D. x .703" O.D. x .69" Lg.	134	741-0522		Chain Cover
64	16136B		R.H. Handle Wheel Brkt. Ass'y.	135	811-00185		
65	16137B		L.H. Handle Wheel Brkt. Ass'y.	136	10622B		
				138	17053A		

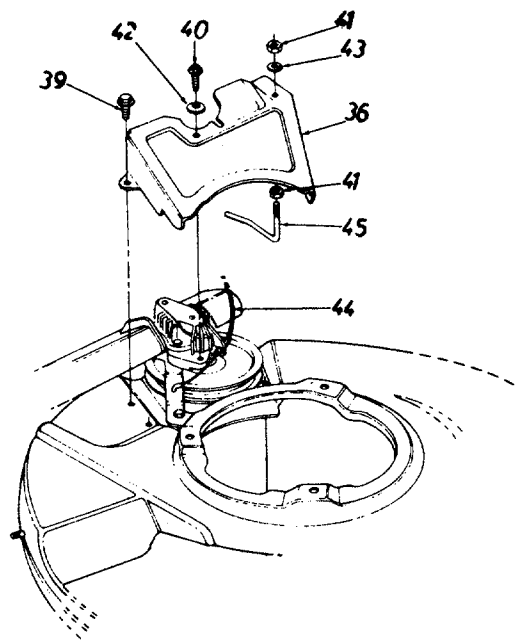
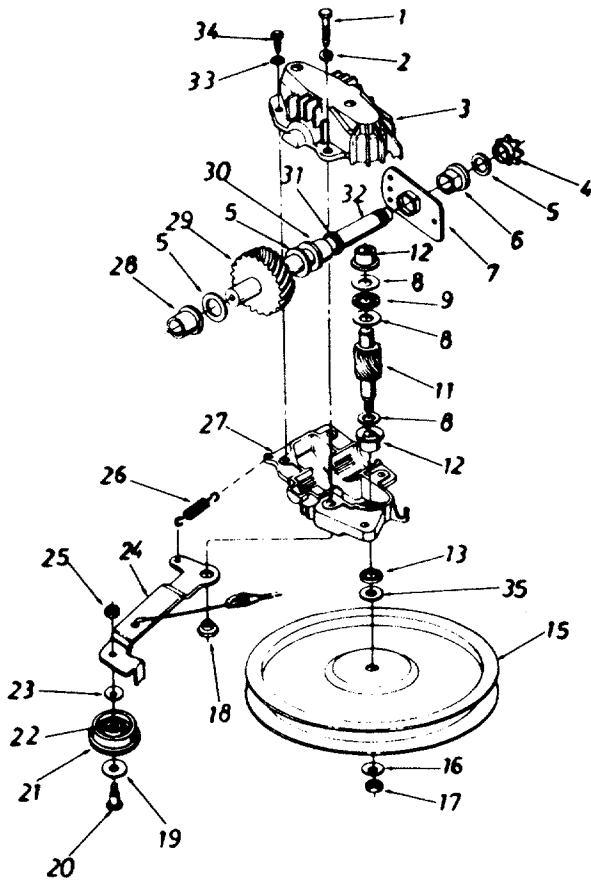
Model 828

PARTS LIST FOR MODEL 828 ROTARY MOWER (CONTINUED)

REF. NO.	PART NO.	CODE	DESCRIPTION	REF. NO.	PART NO.	CODE	DESCRIPTION
140	710-0599		Hex Wash. S-Tap Scr. 1/4-20 x .50" Lg.	156	710-1055		Hex Scr. 3/8-24 x 1.0" Lg.
144	736-0300		FI-Wash. .385" I.D. x .87"	157	736-0169		L-Wash. 3/8" I.D.
145	738-0102		Axle Bolt	158	712-0241		Hex Nut 3/8-24 Thd.
146	736-0105		Bell-Wash. .4" I.D. x .83" O.D.	159	14832		Spring Lever Ass'y. w/knob
147	738-0719A		Rear Shaft Ass'y. 21.94" Lg.	161	749-0764A		Rear Catcher Frame
148	741-0324		Hex Flange Bearing .506" I.D. Plastic	163	710-0352		Hex Wash. Hd. Tap Scr. 1/4 x .38" Lg.
149	736-0160		FI-Wash. .531" I.D. x .930"	164	782-7555		Mulching Baffle
150	738-0507B		Shld. Bolt .5" Dia. x .434"	165	15262B		Pivot Bar
152	710-0751		Hex Bolt 1/4-20 x .62" Lg. (Grade 5)	166	15261A		Height Adj. Plate
153	717-0417B		Transmission Comp. (See Breakdown)	167	14578		Front Height Adj. Ass'y. Comp.—R.H.
154	16500A		Hex Bearing Cup		14579		Front Height Adj. Ass'y. Comp. Comp.—L.H.
155	710-0429		Hex B-Tap Scr. #10 x .38	168	736-0356		Bell-Wash. .39" I.D. x 1.38" O.D.
				169	712-0798		Hex Nut 3/8-16 Thd.*

*For faster service obtain standard nuts, bolts and washers locally.
If these items cannot be obtained locally, order by part number
and size as shown on parts list.

Model 828



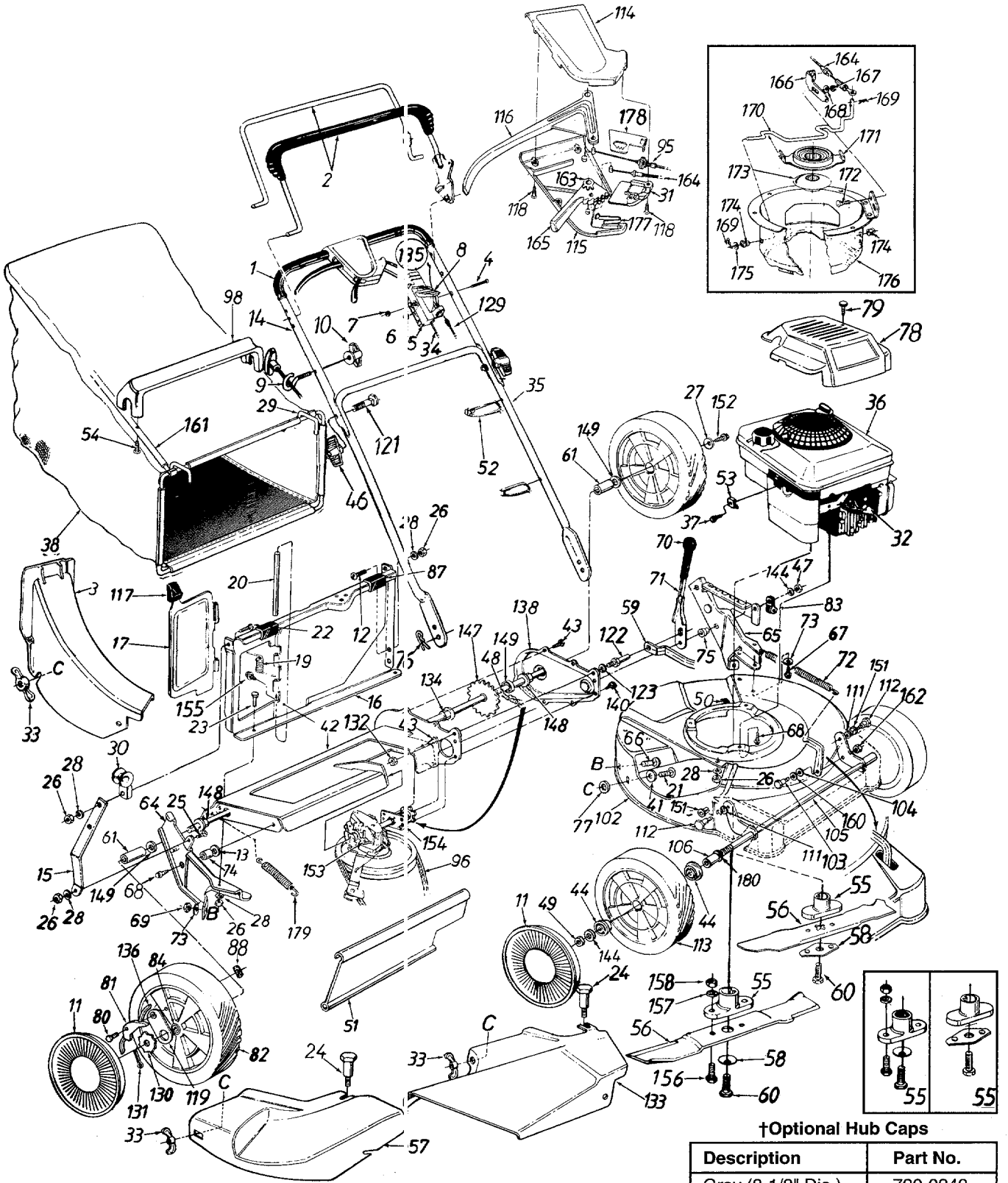
PARTS LIST FOR MODEL 828 ROTARY MOWER

REF. NO.	PART NO.	CODE	DESCRIPTION	REF. NO.	PART NO.	CODE	DESCRIPTION
1	710-1062		Hex Bolt w/Patch 1/4-20 x 1.25"	23	736-0270		Bell-Wash. .265" I.D. x .75"†
2	726-0329		L-Wash. 1/4" I.D.*	24	17052A		Idler Brk't. Ass'y.†
3	717-0418A		Upper Hsg. Half	25	712-0138		Hex Patch L-Nut 1/4-28 Thd.†
4	713-0400		#48 Sprocket 7 Tooth x 1/2 Pitch	26	732-0357A		Extension Spring 1.12" Lg.†
5	736-0336		Fl-Wash. 5/8" I.D. x .030	27	717-0419A		Lower Hsg. Half
6	741-0413		Hex Flange Brg. .631" I.D.	28	741-0415		Flange Bearing .56 Dia.
7	16500A		Hex Bearing Cup	29	717-0422A		33 Tooth Helical Gear
8	736-0314		Thrust Wash. .382" I.D. x .70" O.D.	30	741-0414		Flange Bearing .629 Dia.
9	741-0479		Thrust Bearing .375" I.D. x .812" O.D.	31	721-0213		Oil Seal .625 Dia.
11	717-1216		11 Tooth Helical Gear	32	738-0607A		Gear Sprocket Shaft
12	748-0208A		Flange Bearing	33	736-0722		L-Wash. #10 I.D.
13	721-0212		Oil Seal	34	710-0436		Hex B-Tap Scr. #10 x .62"
15	756-0330A		Fl-Pulley 5.06" I.D.†	35	736-0410		Hex Washer .26" x .88"†
16	736-0270		Bell-Wash. .265" I.D. x .75"†	36	17718		Transmission Belt Guard†
17	712-0351		Hex Nut 1/4-28 L.H. Thd.†	39	710-0599		Hex AB-Tap Scr. 1/4 x .50" Lg.†
18	738-0440		Shld. Spacer .375" Dia. x .170"†	40	710-0896		Hex B-Tap Scr. 1/4 x .62" Lg.
19	736-0344		Fl-Wash. .390" I.D. x 1.0"†	41	712-0287		Hex Nut 1/4-20 Thd.*†
20	738-0826		Shld. Bolt .375" Dia. x .40"†	42	736-0270		Bell-Wash. .265" I.D. x .75"†
21	656-0008		Fl-Idler Plastic 1.50" Dia. (Incl. Ref. No. 22)†	43	736-0329		L-Wash. 1/4" I.D.*†
22	741-0556		Needle Brg. .375" x .31"†	44	746-0710A		S.P. Cable—48" Lg.†
				45	747-0549		S.P. Belt Guard†
				—	717-0417B		Transmission Comp.

†Not Part of Transmission Complete

Model 848

Grass Catcher Complete:
 (Includes Rear Catcher Panel Ref .16)
 Model 190-081-000



†Optional Hub Caps

Description	Part No.
Gray (3-1/2" Dia.)	720-0249
Gray (5-1/2" Dia.)	731-0981A
Yellow (5-1/2" Dia.)	731-1426

Model 848

PARTS LIST FOR MODEL 848 ROTARY MOWER

REF. NO.	PART NO.	CODE	DESCRIPTION	REF. NO.	PART NO.	CODE	DESCRIPTION
1	720-0225		Foam Grip—2 Req'd. (Optional)	56	742-0721		21" Mulching Blade (Used w/Splined Adapter)
2	747-0824		Control Handle Ass'y. (Std.)		742-0741	N	21" Mulching Blade (Used w/Keyed Adapter)
	647-0004		Control Handle Ass'y. (Deluxe)				Mulching Plug (Optional)
3	731-1023		Rear Discharge Chute Ass'y.	57	731-1343		Bell-Wash. .46" I.D.
4	710-0605	N	Oval C-Sunk Scr.	58	736-0453	N	Blade Belt Support (Used w/Keyed Adapter)
5	646-0875		Throttle Body		736-0524		Height Adj. Connecting Arm
6	736-0501		Spr. Wash. .66" I.D.	59	782-0521	N	Hex Bolt 7/16-20 x 1.5" Lg. (Used w/Splined Adapter)
7	712-0324		Hex L-Nut 1/4-20 Thd.	60	710-0757		Hex Bolt 3/8-24 x 1.5" Lg. (Used w/Keyed Adapter)
8	746-0876		Throttle Lever				Spacer .513" I.D. x .703" O.D. x .69" Lg.
9	710-1205		Rope Guide				L-Wash. 5/16" I.D.*
10	720-0279	N	Handle Knob 1/4-20 Thd.				R.H. Handle Wheel Brkt. Ass'y.
11	†		Hub Cap (See Chart)		710-1044		L.H. Handle Wheel Brkt. Ass'y.
12	710-0946		Truss Mach. Scr. 1/4-20 x .62" Lg.	61	748-0190		Carriage Bolt 5/16-18 x .62"*
13	736-0258		Fl-Wash. .383" I.D. x 1" O.D.				Hex Wash. Hd. B-Tap Scr. 5/16-18
14	749-0439B		Upper Handle	63	736-0119		Hex Wash. Hd. TT-Tap Scr. 3/8-16
15	16129A		Panel Support Brkt.	64	16136B		Hex Nut 5/16-18 Thd.*
16	16862		Rear Catcher Panel Ass'y.	65	16137B		Grip
17	17095A		Rear Discharge Door	66	710-0260		Height Adj. Lever
19	732-0483A		Torsion Spring	67	710-0603		Extension Spring .75" O.D. x 8" Lg.
20	747-0514		Pivot Pin				Bell-Wash. 5/16" I.D.
21	710-0134		Carriage Bolt 1/4-20 x .62"*	68	710-0654A		Spacer
22	710-0255		Truss Mach. Scr. 1/4-20 x 3/4" Lg.	69	712-0267		Shld. Spacer .500" Dia.
23	710-0776A		Hex AB-Tap Scr. 1/4 x .38" Lg.	70	720-0223		Hairpin Clip
24	738-0704		Shoulder Bolt .312 Dia. x .18 Lg.—Special	71	732-0606		Bolt Retainer 1/4 x .50" O.D.
25	710-0258		Hex Bolt 1/4-20 x .62" Lg.*	72	732-0362		Engine Shroud (Yellow—Optional)
26	712-0287		Hex Nut 1/4-20 Thd.*	73	736-0242		XTE Engine Shroud (Black—Optional)
27	736-0270		Bell-Wash. 1/4" I.D.	74	750-0736		Engine Shroud (Black—Optional)
28	736-0329		L-Wash. 1/4" I.D.*	75	750-0624		Screw #10 x 1.25" Lg.
29	747-0705		Front Grass Catcher Frame	76	714-0104		Shld. Scr. .342" Dia. x .268
30	719-0279		Rope Guide	77	726-0233		Pawl
31	731-0906		S.P. Control Cover	78	731-1402		Rear Wheel Ass'y. Comp. (Gray Rim)
32	735-0639		Spark Plug Insulator				Rear Wheel Ass'y. Comp. (Yellow Rim)
33	712-0397		Wing Nut w/Washer				Clamp
34	746-0674		Throttle Control Wire 61"		751B281191		Bearing 1/2" I.D.
35	749-0907		Lower Handle				Panel Clip
36	—		Engine	79	731-1396		Weld L-Nut 1/4-20 Thd.
37	710-1237		Hex Self-Tap Scr. #10-32 x .62" Lg.	80	710-1256		S.P. Cable
38	764-0257		Grass Bag (Plain)	81	738-0137		"V"-Belt
	764-0264		Grass Bag w/Logo	82	748-0188B		Hex AB-Tap Scr. 1" Lg.
41	736-0204		Fl-Wash. .344" I.D. x .62"		734-1510B		Bag Handle
42	17055B		Chain—Axle Ass'y.				21" Deck Ass'y.
43	710-0352		Hex B-Tap Scr. 1/4" x .38" Lg.		734-1791	N	Shld. Bolt .5" Dia. x .295
44	741-0484		Ball Bearing (Optional)	83	726-0272		Bell-Wash. .515" I.D. x 1.0" O.D.
46	720-0276		Hand Knob	84	741-0486B		Front Axle Ass'y.
47	712-0296		Hex Patch L-Nut 3/8-24 Thd.	87	731-0880		
48	713-0353		#48 Chain .500" Pitch x 30 Links	88	712-0414		
49	712-0346		Hex L-Nut 1/2-20 Thd.	95	746-0710A		
50	731-0564		Plug	96	754-0343		
51	731-1488	N	Rear Flap 4.8" x 18" Lg.	97	710-0969		
52	726-0240		Cable Tie	98	731-0801		
53	751B213146	N	Cable Clamp	102	16859A		
54	710-1025		Hex AB Scr. #12 x 1.25" Lg.	103	738-0234		
55	753-0485		Blade Adapter Kit (Splined)	104	736-0253		
	753-0588	N	Blade Adapter Kit (Keyed)	105	682-7509	N	

Model 848

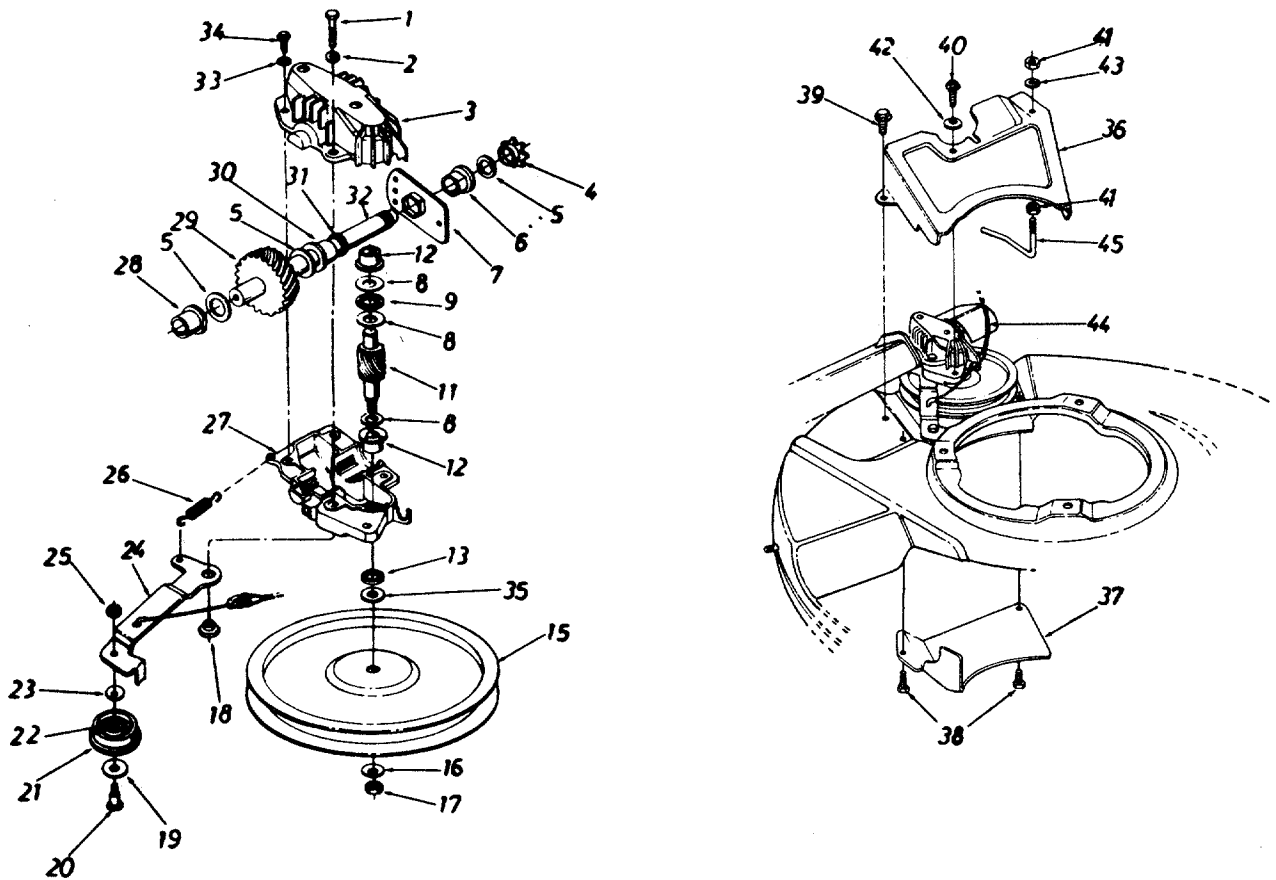
PARTS LIST FOR MODEL 848 ROTARY MOWER (CONTINUED)

REF. NO.	PART NO.	CODE	DESCRIPTION	REF. NO.	PART NO.	CODE	DESCRIPTION
106	711-0313		Sleeve .526" I.D. x .690" O.D. x .880" Lg.	149	736-0160		FI-Wash. .531" I.D. x .930" Flanged Nyliner Brg.
111	736-0221		Intern. L-Wash. 3/8 I.D.*	151	741-0491		Hex Bolt 1/4-20 x .62" Lg. (Grade 5)
112	738-0705		Shld. Bolt .575" Dia. x .42	152	710-0751		Transmission Comp. (See Breakdown)
113	734-1512A		Front Wheel Ass'y. Comp. (Gray Rim)	153	717-0417B		Hex Bearing Cup
	734-1790	N	Front Wheel Ass'y. Comp. (Yellow Rim)	154	16500		Hex B-Tap Scr. #10 x .38
114	731-0904		Self-Propelled Control Cover	155	710-0429		Hex Scr. 3/8-24 x 1.0" Lg.
115	731-0905		Self-Propelled Control Cover	156	710-1055		L-Wash. 3/8" I.D.
116	731-0620		Control Lever	157	736-0169		Hex Nut 3/8-24 Thd.
117	720-0190		Door Grip	158	712-0241		FI-Wash. .51" I.D. x .75" O.D.
118	710-0841		FI-"C"-Sunk Hd. Tap Scr. #10 x .75" Lg.	160	736-0108		Rear Catcher Frame
			Pawl Plate	161	749-0764A		Hex Jam Nut 3/8-16 Thd.
119	16855		Curved Hd. Bolt 5/16-18 x 2" Lg.	162	712-0266		3 Tooth Rack Gear Insert
121	710-1174		Shld. Pin 3/8-24 x 1.43" Lg.	163	713-0397		Spd. Control Cable—50" Lg.
122	711-0805		L-Wash. 3/8" I.D.*	164	746-0706		6-Spd. Shift Lever
123	736-0169		Control Cable 43" Lg.	165	731-0924		Adjustable Cable Brkt.
129	746-0912		Ratchet Wheel 1.62" C.D.	166	17070		Bell-Wash. .265" I.D. x .75" O.D.
130	748-0318		Cotter Pin 1/8" Dia. x 1.00" Lg.*	167	736-0270		Hex Cent. L-Nut 1/4-20 Thd.
131	714-0115		Hex Jam Nut 3/8-24 Thd.	168	712-0291		Cot-Pin 3/32" Dia. x .75" Lg.
132	712-0711		Side Chute Deflector Ass'y.	169	714-0507		Shift Rod
133	731-0884		Hex Flange Bearing	170	747-0684		Movable Pulley Half Ass'y.
134	741-0522		Throttle Box Comp. (Incl. Ref. 4, 5, 6, 7, 8)	171	741-0500A		Carr. Bolt 1/4-20 x .50" Lg.
135	811-00185		Spring—Nylon	172	710-0167		Spined Pulley Half
136	10622B		Chain Cover	173	756-0503		Flanged Bushing
138	17053A		Hex Wash. S-Tap Scr. 1/4-20 x .50" Lg.	174	731-1137		FI-Wash. .328" I.D. x .68" O.D.
140	710-0599		FI-Wash. .385" I.D. x .837" Rear Shaft Ass'y. 21.94" Lg.	175	736-0278		Housing Ass'y.
144	736-0300		Hex Flange Bearing .506" I.D. Plastic	176	682-7514		Shift Lever Spring
147	738-0719A			177	732-0627		6-Speed Rack Cable Brkt.
148	741-0324			178	16864		Ext. Spring 3.8" Lg.
				179	732-0481		

*For faster service obtain standard nuts, bolts and washers locally. If these items cannot be obtained locally, order by part number and size as shown on parts list.

Model 848

Model E848



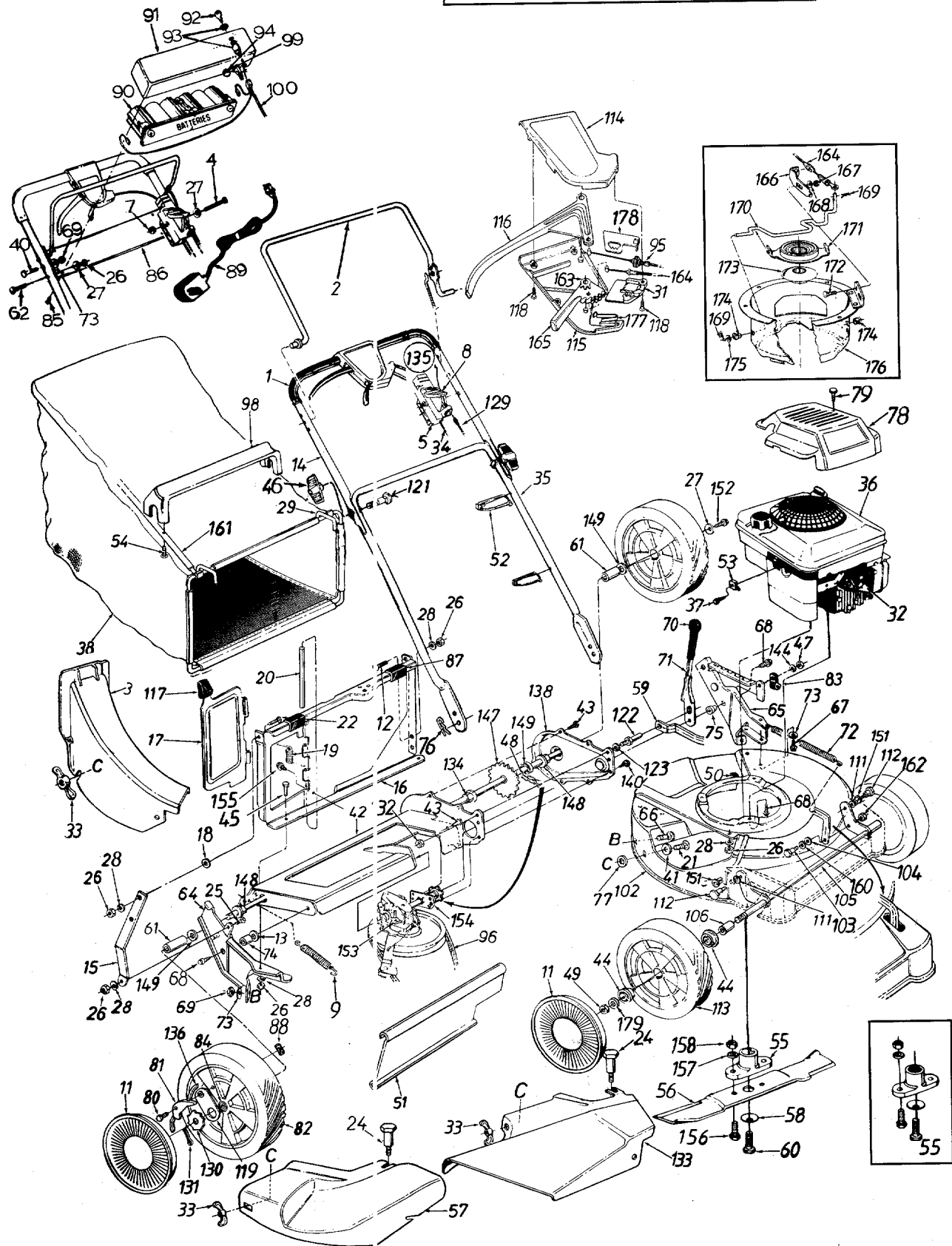
PARTS LIST FOR MODEL 848 ROTARY MOWER

REF. NO.	PART NO.	CODE	DESCRIPTION	REF. NO.	PART NO.	CODE	DESCRIPTION
1	710-1062		Hex Bolt 1/4-20 x 1.25" Lg.*	23	736-0270		Bell-Wash. .265" I.D. x .75"†
2	726-0329		L-Wash. 1/4" I.D.*	24	17052A		Idler Brk't. Ass'y.†
3	717-0418A		Upper Hsg. Half	25	712-0138		Hex Patch L-Nut 1/4-28 Thd.†
4	713-0400		#48 Sprocket 7 Tooth x 1/2 Pitch	26	732-0357A		Extension Spring 1.12" Lg.†
5	736-0336		Fl-Wash. 5/8" I.D. x .030	27	717-0419A		Lower Hsg. Half
6	741-0413		Hex Flange Brg. .631" I.D.	28	741-0415		Flange Bearing .56 Dia.
7	16500A		Hex Bearing Cup	29	717-0422A		33 Tooth Helical Gear
8	736-0314		Thrust Wash. .382" I.D. x .70" O.D.	30	741-0414		Flange Bearing .629 Dia.
9	741-0479		Thrust Bearing .375" I.D. x .812" O.D.	31	721-0213		Oil Seal .625 Dia.
11	717-1216		11 Tooth Helical Gear	32	738-0607A		Gear Sprocket Shaft
12	748-0208A		Flange Bearing	33	736-0722		L-Wash. #10 I.D.
13	721-0212		Oil Seal	34	710-0436		Hex B-Tap Scr. #10 x .62"
15	756-0330A		Fl-Pulley 5.06" I.D.†	35	736-0410		Hex Washer .26" x .88"†
16	736-0270		Bell-Wash. .265" I.D. x .75"†	36	17718		Transmission Belt Guard†
17	712-0351		Hex Nut 1/4-28 L.H. Thd.†	37	17065A		Belt Cover†
18	738-0440		Shld. Spacer .375" Dia. x .170"†	38	710-0352		Hex B-Tap Scr. 1/4 x .38" Lg.†
19	736-0344		Fl-Wash. .390" I.D. x 1.0"†	39	710-0599		Hex AB-Tap Scr. 1/4 x .50" Lg.†
20	738-0826		Shld. Bolt .375" Dia. x .40"†	40	710-0896		Hex B-Tap Scr. 1/4 x .62" Lg.
21	656-0008	N	Fl-Idler Plastic 1.50" Dia. (Incl. Ref. No. 22)†	41	712-0287		Hex Nut 1/4-20 Thd.*†
22	741-0556		Needle Brg. .375" x .31"†	42	736-0270		Bell-Wash. .265" I.D. x .75"†
				43	736-0329		L-Wash. 1/4" I.D.*†
				44	746-0710A		S.P. Cable—48" Lg.†
				45	747-0549		S.P. Belt Guard†
				—	717-0417B		Transmission Comp.

†Not Part of Transmission Complete

Model E848

Grass Catcher Complete:
(Includes Rear Catcher Panel Ref. 16)
Model 190-081-000



Model E848

PARTS LIST FOR MODEL E848 ROTARY MOWER

REF. NO.	PART NO.	CODE	DESCRIPTION	REF. NO.	PART NO.	CODE	DESCRIPTION
1	720-0225		Foam Grip—2 Req'd.	59	782-0521	N	Height Adj. Connecting Arm
2	747-0824		Control Handle Ass'y.	60	710-0757		Hex Bolt 7/16-20 x 1.5" Lg.
3	731-1023		Rear Discharge Chute Ass'y.				(Grade 5)
4	710-0501		Hex Bolt 1/4-20 x 2" Lg.	61	748-0190		Spacer .513" I.D. x .703" O.D. x
5	646-0875	N	Throttle Body				.69" Lg.
6	736-0501		Spr. Wash. .66" I.D.	62	710-0111		Carr. Bolt 1/4-20 x 1.25" Lg.
7	712-0324		Hex L-Nut 1/4-20 Thd.	63	736-0119		L-Wash. 5/16" I.D.*
8	746-0876		Throttle Lever	64	16136B		R.H. Handle Wheel Brkt. Ass'y.
9	732-0481		Ext. Spring 3.8" Lg.	65	16137B		L.H. Handle Wheel Brkt. Ass'y.
11	731-1426		Hub Cap	66	710-0260		Carriage Bolt 5/16-18 x .62**
12	710-0946		Truss Mach. Scr. 1/4-20 x .62" Lg.	67	710-0603		Hex Wash. Hd. B-Tap Scr.
13	736-0258		FI-Wash. .383" I.D. x 1" O.D.	68	710-0654A		5/16-18
14	749-0439B		Upper Handle				Hex Wash. Hd. TT-Tap Scr.
15	16129A		Panel Support Brkt.	69	712-0267		3/8-16
16	16862		Rear Catcher Panel Ass'y.	70	720-0223		Hex Nut 5/16-18 Thd.*
17	17095A		Rear Discharge Door	71	732-0606		Grip
18	736-0211		FI-Wash. .285" I.D. x 1.25" O.D.	72	732-0362		Height Adj. Lever
19	732-0483A		Torsion Spring				Extension Spring .75" O.D. x
20	747-0514		Pivot Pin	73	736-0242		8" Lg.
21	710-0134		Carriage Bolt 1/4-20 x .62**	74	750-0736		Bell-Wash. 5/16" I.D.
22	710-0255		Truss Mach. Scr. 1/4-20 x 3/4" Lg.	75	750-0624		Spacer
23	710-0289		Hex Bolt 1/4-20 x .50" Lg.*	76	714-0104		Shld. Spacer .500" Dia.
24	738-0704		Shoulder Bolt .312 Dia. x .18 Lg.—Special	77	726-0233		Hairpin Clip
25	710-0258		Hex Bolt 1/4-20 x .62" Lg.*	78	731-1402		Bolt Retainer 1/4 x .50" O.D.
26	712-0287		Hex Nut 1/4-20 Thd.*	79	710-1256		Engine Shroud
27	736-0270		Bell-Wash. 1/4" I.D.	80	738-0137		Screw #10 x 1.25" Lg.
28	736-0329		L-Wash. 1/4" I.D.*	81	748-0188B		Shld. Scr. .342" Dia. x .268"
29	747-0705		Front Grass Catcher Frame	82	734-1791		Pawl
31	731-0906		S.P. Control Cover	83	726-0272		Rear Wheel Ass'y. Comp.
32	735-0639		Spark Plug Insulator	84	741-0486B		Clamp
33	712-0397		Wing Nut w/Washer	85	710-0969		Bearing 1/2" I.D.
34	746-0674		Throttle Control Wire 61"	86	782-9012		Truss Mach. Tap Scr. 1" Lg.
35	749-0907		Lower Handle	87	731-0880		Lower Battery Tray
36	—		Engine	88	712-0414		Panel Clip
37	710-1237		Hex Self-Tap Scr. #10-32 x .62" Lg.	89	725-0727		Weld L-Nut 1/4-20 Thd.
38	764-0264		Grass Bag	90	725-1276		Battery Charger
40	710-0671		Curved Carr. Bolt 5/16-18 x 1.38" Lg.	91	731-0891A		Battery Pack—12 Volt
41	736-0204		FI-Wash. .344" I.D. x .62"	92	725-0201		Battery Tray
42	17055B		Chain—Axle Ass'y.	93	725-0873		Ignition Key
43	710-0352		Hex B-Tap Scr. 1/4" x .38" Lg.	94	725-1428		Ignition Switch
44	741-0484		Ball Bearing 1/2" I.D.		725-0298		Fuse Holder
45	710-0776A		Hex AB-Tap Scr. 1/4 x .62"	95	746-0710A		Fuse 7-1/2 Amp (Not Shown)
46	720-0276		Hand Knob	96	754-0343		S.P. Cable
47	712-0296		Hex Patch L-Nut 3/8-24 Thd.	97	710-0969		"V"-Belt
48	713-0353		#48 Chain .500" Pitch x 30 Links	98	731-0801		Hex AB-Tap Scr. 1" Lg.
49	712-0346		Hex L-Nut 1/2-20 Thd.	99	725-1206		Bag Handle
50	731-0564		Plug	100	725-1442		Plug
51	731-1488	N	Rear Flap 4.8" x 18" Lg.	101	725-1442		Wire Harness
52	726-0240		Cable Tie	102	16859A		21" Deck Ass'y.
53	751B213146	N	Cable Clamp	103	738-0234		Shld. Bolt .5" Dia. x .295"
54	710-1025		Hex AB Scr. #12 x 1.25" Lg.	104	736-0253		Bell-Wash. .515" I.D. x 1.0" O.D.
55	753-0485		Blade Adapter Kit	105	682-7509	N	Front Axle Ass'y.
56	742-0721		21" Mulching Blade	106	711-0313		Sleeve .526" I.D. x .690" O.D. x
57	731-1343		Mulching Plug	111	736-0221		.880" Lg.
58	736-0453		Bell-Wash. .46" I.D.	112	738-0705		Intern. L-Wash. 3/8" I.D.*
				113	734-1790		Shld. Bolt .575" Dia. x .42
				114	731-0904		Front Wheel Ass'y. Comp.
				115	731-0905		Self-Propelled Control Cover
				116	731-0620		Self-Propelled Control Cover
							Control Lever

Model E848

PARTS LIST FOR MODEL E848 ROTARY MOWER (CONTINUED)

REF. NO.	PART NO.	CODE	DESCRIPTION	REF. NO.	PART NO.	CODE	DESCRIPTION
117	720-0190		Door Grip	154	16500		Hex Bearing Cup
118	710-0841		Fl-"C"-Sunk Hd. Tap Scr. #10 x .75" Lg.	155	710-0429		Hex B-Tap Scr. #10 x .38
				156	710-1055		Hex Scr. 3/8-24 x 1.0" Lg.
119	16855		Pawl Plate	157	736-0169		L-Wash. 3/8" I.D.
121	710-1174		Curved Hd. Bolt 5/16-13 x 2" Lg.	158	712-0241		Hex Nut 3/8-24 Thd.
122	711-0805		Shld. Pin 3/8-24 x 1.43" Lg.	160	736-0108		Fl-Wash. .51" I.D. x .75" O.D.
123	736-0169		L-Wash. 3/8" I.D.*	161	749-0764A		Rear Catcher Frame
129	746-0912		Control Cable 43" Lg.	162	712-0266		Hex Jam Nut 3/8-16 Thd.
130	748-0318		Ratchet Wheel 1.62" C.D.	163	713-0397		3 Tooth Rack Gear Insert
131	714-0115		Cotter Pin 1/8" Dia. x 1.00" Lg.*	164	746-0706		Spd. Control Cable—50" Lg.
132	712-0711		Hex Jam Nut 3/8-24 Thd.	165	731-0924		6-Spd. Shift Lever
133	731-0884		Side Chute Deflector Ass'y.	166	17070		Adjustable Cable Brkt.
134	741-0522		Hex Flange Bearing	167	736-0270		Bell-Wash. .265" I.D. x .75" O.D.
135	811-00185		Throttle Box Comp. (Incl. Ref. 4, 5, 6, 7, 8)	168	712-0291		Hex Cent. L-Nut 1/4-20 Thd.
				169	714-0507		Cot-Pin 3/32" Dia. x .75" Lg.
136	10622B		Spring—Nylon	170	747-0684		Shift Rod
138	17053A		Chain Cover	171	741-0500A		Movable Pulley Half Ass'y.
140	710-0599		Hex Wash. S-Tap Scr. 1/4-20 x .50" Lg.	172	710-0167		Carr. Bolt 1/4-20 x .50" Lg.
				173	756-0503		Spined Pulley Half
144	736-0300		Fl-Wash. .385" I.D. x .87"	174	731-1137		Flanged Bushing
147	738-0719A		Rear Shaft Ass'y. 21.94" Lg.	175	736-0278		Fl-Wash. .328" I.D. x .68" O.D.
148	741-0324		Hex Flange Bearing .506" I.D. Plastic	176	682-7514		Housing Ass'y.
				177	732-0627		Shift Lever Spring
149	736-0160		Fl-Wash. .531" I.D. x .930"	178	16864		6-Speed Rack Cable Brkt.
151	741-0491		Flanged Nyliner Brg.	—	725-1538		Ext. Harness (Not Shown)
152	710-0751		Hex Bolt 1/4-20 x .62" Lg. (Grade 5)				
153	717-0417B		Transmission Comp. (See Breakdown)				

*For faster service obtain standard nuts, bolts and washers locally.
If these items cannot be obtained locally, order by part number
and size as shown on parts list.