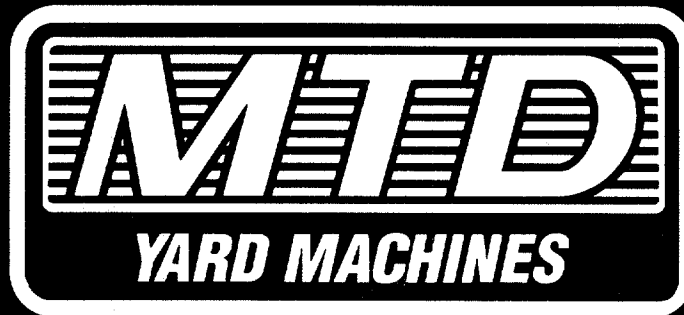


ILLUSTRATED PARTS

AMERICAN  AMERICAN
M A D E O W N E D
OUTDOOR POWER EQUIPMENT

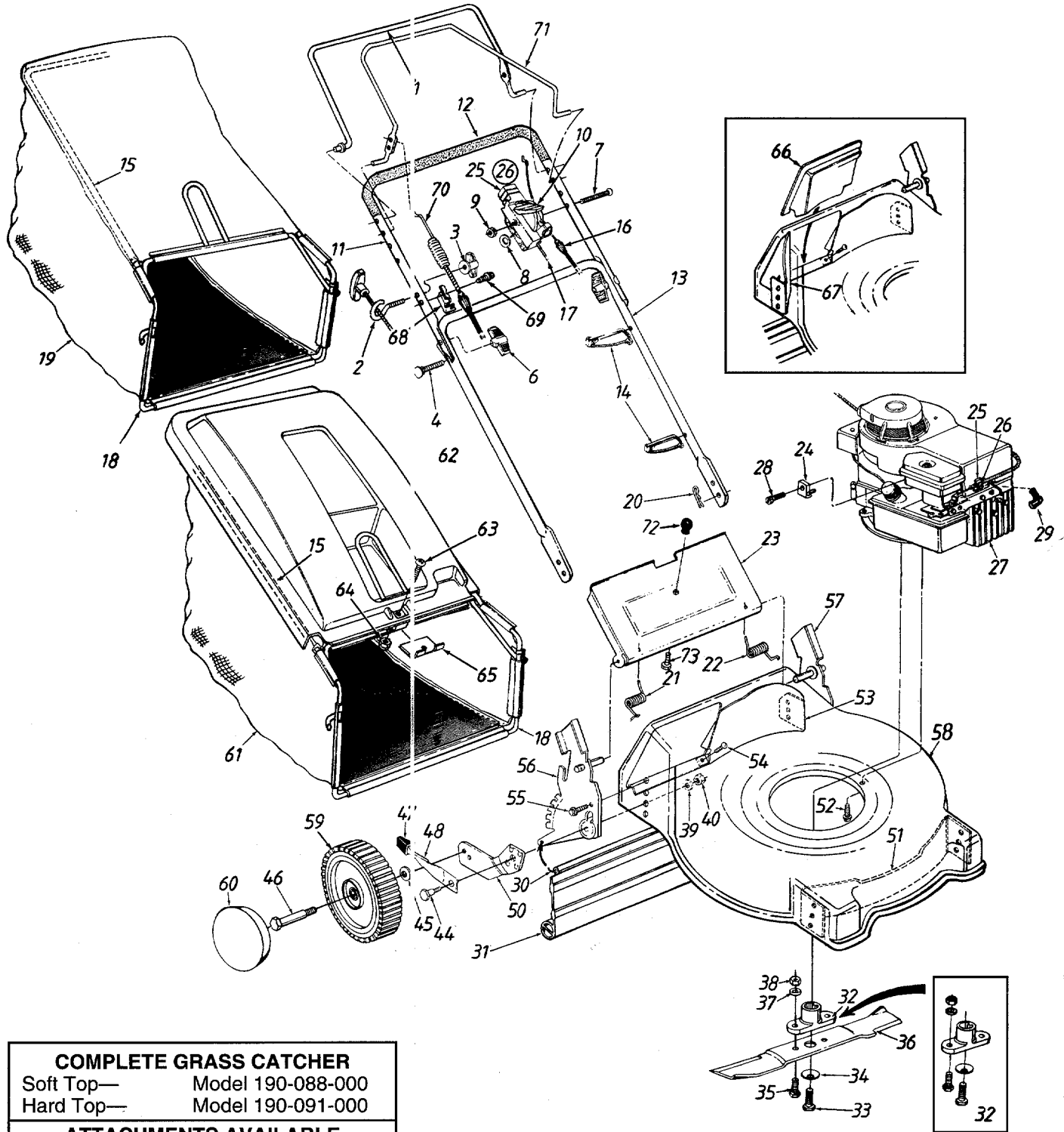


1994

SELF-PROPELLED MOWERS

| Model Number | Pages |
|------------------------------------|-------|
| 124-442B000 thru 124-458B000 | 2-4 |
| 124-475A000 thru 124-478H000 | 5-8 |
| 124-487D000 thru 124-488N000 | 9-12 |
| 124-528A000 thru 124-528F000 | 13-15 |

Models 442 thru 458



| | |
|-------------------------------|-------------------|
| COMPLETE GRASS CATCHER | |
| Soft Top— | Model 190-088-000 |
| Hard Top— | Model 190-091-000 |
| ATTACHMENTS AVAILABLE | |
| Mulching Kit— | Model 190-099-000 |
| Chute Deflector— | Model 190-104-000 |

Models 442 thru 458

PARTS LIST FOR MODELS 442 THRU 458 ROTARY MOWERS

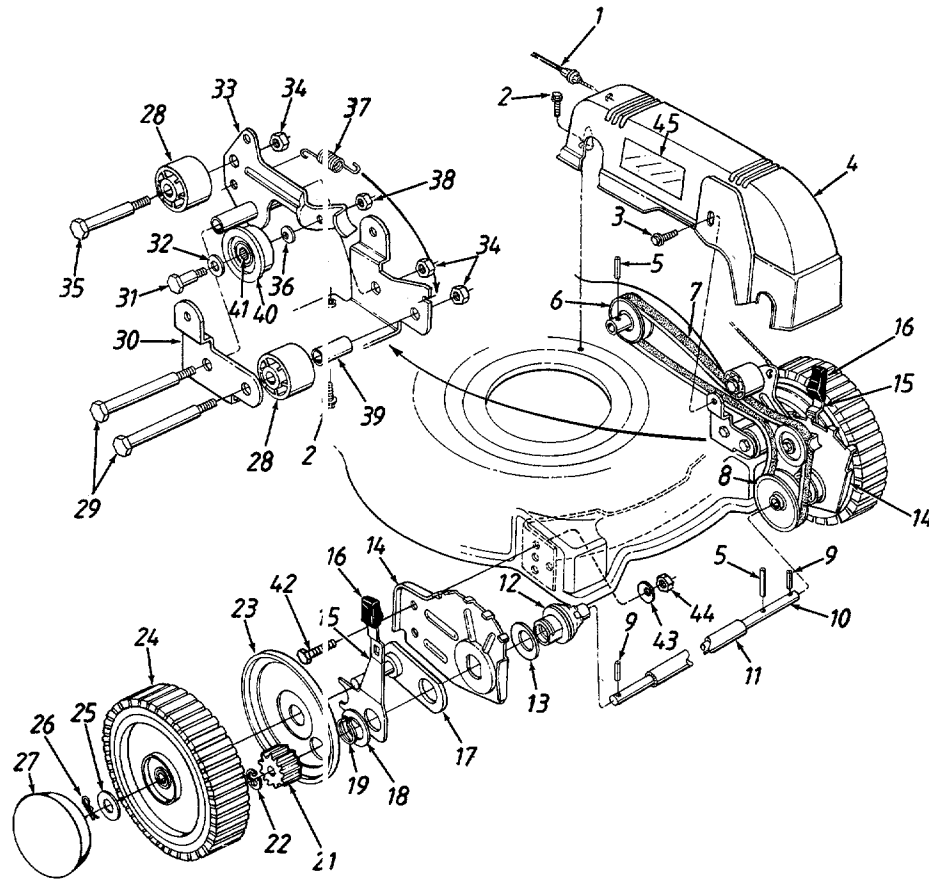
| REF. NO. | PART NO. | CODE | DESCRIPTION | REF. NO. | PART NO. | CODE | DESCRIPTION |
|----------|--------------|--|--|-----------|-----------|--|---------------------------------------|
| 1 | 747-0824 | N | Control Handle Ass'y. | 36 | 742-0621 | | 21" Blade |
| 2 | 710-1205 | | Rope Guide | | 742-0721 | | 21" Mulching Blade (Optional) |
| 3 | 720-0279 | | Handle Knob 1/4-20 Thd. | 37 | 736-0169 | | L-Wash. 3/8" I.D.* |
| 4 | 710-1174 | | Curved Hd. Bolt 5/16-18 x 2" Lg. | 38 | 712-0241 | | Hex Nut 3/8-24 Thd. |
| 6 | 720-0276 | | Hand Knob | 39 | 736-0356 | | Bell-Wash. .39" I.D. x 1.38" |
| 7 | 710-0605 | | Oval C-Sunk Mach. Scr. | 40 | 712-0798 | | Hex Nut 3/8-16 Thd.* |
| 8 | 736-0501 | | Spr. Wash. .66" I.D. | 44 | 738-0507B | | Shld. Bolt .5" Dia. x .357" |
| 9 | 712-0324 | | Hex L-Nut 1/4-20 Thd. | 45 | 736-0105 | | Bell-Wash. .38" I.D. x .88" O.D. |
| 10 | 746-0876 | | Throttle Lever | 46 | 738-0102 | | Axle Bolt |
| 11 | 749-0538C | | Upper Handle | 47 | 720-0190 | | Spring Lever Knob |
| 12 | 720-0226 | | Foam Grip (Optional) | 48 | 732-0417A | | Spring Lever |
| 13 | 749-0928 | | Lower Handle | 50 | 14765 | | Pivot Bar |
| 14 | 726-0240 | | Cable Tie | 51 | 782-5002 | | Front Baffle |
| 15 | 764-0310 | | Rear Catcher Frame | 52 | 710-0654A | | Hex L-Wash. Hd. Scr. 3/8-16 x 1" Lg. |
| 16 | 746-0550 | | Control Cable—39" (442, 452) | 53 | 782-5003 | | Rear Baffle |
| | 746-0553 | | Control Cable—36" (446, 448, 456, 458) | 54 | 710-1017 | | Torx Mach. AB-Tap Scr. 1/4 x .62" Lg. |
| | 746-0737 | Control Cable—51" (457) | | | | Hex L-Wash. Hd. AB-Tap Scr. 1/4 x .62" Lg. | |
| 17 | 746-0847 | Throttle Control Wire—42" (457) | 55 | 710-0892 | | Handle Brkt. Ass'y.—R.H. | |
| | 746-0843 | Throttle Control Wire—55" (442, 446, 448, 456, 452, 458) | 56 | 682-0514 | | Handle Brkt. Ass'y.—L.H. | |
| 18 | 764-0311 | Front Catcher Frame | 57 | 682-0513 | | 21" R.D. Deck | |
| 19 | 764-0309 | Grass Bag† | 58 | 782-0020 | | Wheel Ass'y. Comp. | |
| 20 | 714-0104 | Int. Cotter Pin 5/16" Dia. | 59 | 634-0020 | | Hub Cap 3-1/2" Dia. (Optional) | |
| 21 | 732-0678 | Door Spring—R.H. | 60 | 720-0249 | | Hub Cap 5-1/2" Dia. (Optional) | |
| 22 | 732-0677 | Door Spring—L.H. | | 731-0981A | | Grass Bag†† | |
| 23 | 782-7000 | Rear Discharge Door | 61 | 764-0433 | | Hard Top Cover†† | |
| 24 | 751B213146 N | Cable Clamp (B&S) | 62 | 731-1322 | | Pan Hd. Mach. Scr. 1/4-20 x .5" Lg.†† | |
| 25 | 646-0875 | Throttle Body | 63 | 710-0286 | | Hex Nylon L-Nut 1/4-20 Thd.†† | |
| 26 | 811-00185 | Throttle Box Comp. (Incl Ref. 7, 8, 9, 10, 25) | 64 | 712-0324 | | Mounting Bracket†† | |
| 27 | — | Engine | 65 | 782-9011 | | Mulching Baffle Plug (Optional) | |
| 28 | 710-1237 | Hex Wash. Hd. Scr. #10-32 x .62" Lg. (B&S) | 66 | 782-5007 | | Mulching Baffle—R.R. (Optional) | |
| 29 | 735-0639 | Spark Plug Boot (Optional) | 67 | 782-5004 | | Cable Mtg. Brkt. | |
| 30 | 732-0700 | Wire Rod | 68 | 16309A | | Hex Wash. AB-Tap Scr. 5/16" x .75" Lg. | |
| 31 | 731-1236 | Rear Flap | 69 | 710-0726 | | S.P. Cable 44.75" Lg. | |
| 32 | 753-0484 | Blade Adapter Kit | 70 | 746-0906 | | Drive Control Lever | |
| 33 | 710-1044 | Hex Bolt 3/8-24 x 1.5" Lg. | 71 | 747-0854 | | Knob | |
| 34 | 736-0452 | Bell-Wash. .39" I.D. | 72 | 720-0275 | | Truss Mach. Scr. #10-24 x .38" Lg. | |
| | 736-0453 | Bell-Wash. .46" I.D. (Used w/Splined Adapter) | 73 | 710-0192 | | | |
| 35 | 710-1055 | Hex Bolt 3/8-24 x 1" Lg. | | | | | |

† Models 442 thru 448 only.

†† Models 452 thru 458 only.

*For faster service obtain standard nuts, bolts and washers locally.
If these items cannot be obtained locally, order by part number and size as shown on parts list.

Models 442 thru 458



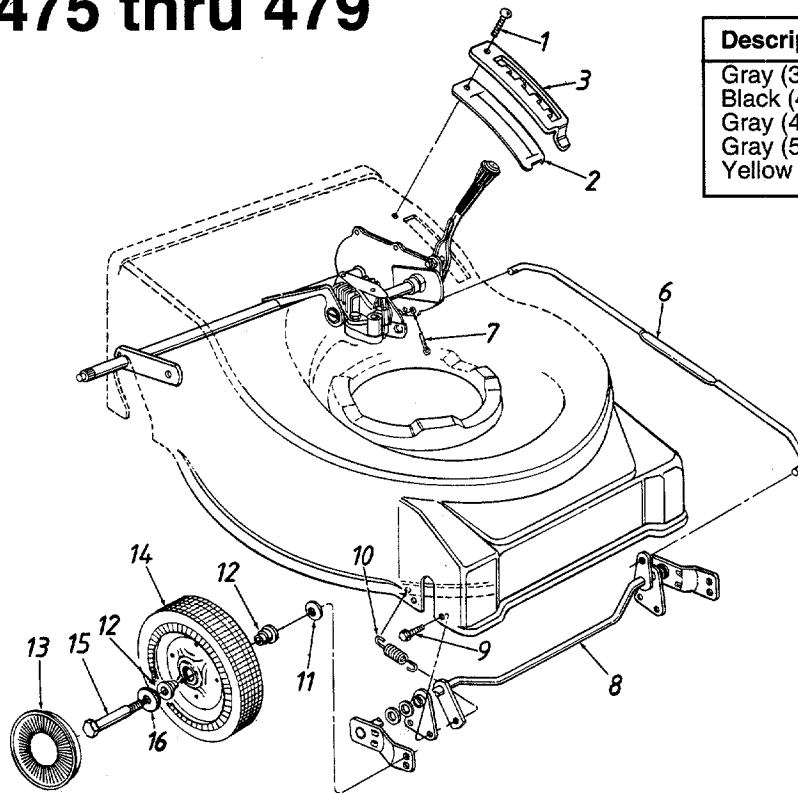
PARTS LIST FOR MODELS 442 THRU 458 ROTARY MOWERS

| REF. NO. | PART NO. | CODE | DESCRIPTION | REF. NO. | PART NO. | CODE | DESCRIPTION |
|----------|----------|------|---|----------|----------|------|-----------------------------------|
| 1 | 746-0906 | | S.P. Cable 44.75" Lg. | 22 | 716-0104 | | E-Ring |
| 2 | 710-0599 | | Hex Wash. Hd. TT-Tap Scr. 1/4-20 x .5" Lg. | 23 | 782-7551 | | Wheel Dust Cap |
| 3 | 710-0653 | | Hex Wash. Hd. Tap Scr. 1/4-20 x .38" Lg. | 24 | 634-0021 | | Front Wheel Ass'y. |
| 4 | 782-7550 | | Belt Cover | 25 | 736-3013 | | Fl-Wash. .531" I.D. x 1" O.D. |
| 5 | 715-0246 | | Spring Pin 3/16" Dia. x 1.25" Lg. | 26 | 714-0104 | | Hairpin Clip 5/16" Dia. |
| 6 | 756-0963 | | 3/8" "V"-Pulley 2.75" C.D. | 27 | 720-0249 | | Hub Cap |
| 7 | 754-0271 | | "V"-Belt | 28 | 656-0010 | | Idler Ass'y. |
| 8 | 756-0964 | | 3/8" "V"-Pulley 2.44" C.D. | 29 | 738-0873 | | Shld. Bolt .374" Dia. x 1.94" |
| 9 | 715-0159 | | Spring Pin 3/16" Dia. x .875" Lg. | 30 | 782-7524 | | Idler Pivot Brkt. |
| 10 | 738-0872 | | Front Axle | 31 | 738-0826 | | Shld. Bolt .375" Dia. x .4" |
| 11 | 731-1361 | | Axle Shroud | 32 | 736-0344 | | Fl-Wash. .39" I.D. x 1" O.D. |
| 12 | 682-0015 | | Front Bearing Ass'y. | 33 | 682-0014 | | Idler Brkt. Ass'y. |
| 13 | 736-0447 | | Wave-Wash. 1.01" I.D. | 34 | 712-0271 | | Hex Sems Nut 1/4-20 Thd. |
| 14 | 782-0512 | | Height Adj. Plate—R.H. | 35 | 738-0572 | | Shld. Bolt 3/8" Dia. x 1.16" |
| | 782-0511 | | Height Adj. Plate—L.H. | 36 | 736-0270 | | Bell-Wash. .265" I.D. x .75" O.D. |
| 15 | 732-0706 | | Spring Lever—R.H. | 37 | 732-0709 | | Spring Extension 1.29" Lg. |
| | 732-0707 | | Spring Lever—L.H. | 38 | 712-0138 | | Hex Nut 1/4-28 Thd. |
| 16 | 720-0190 | | Spring Lever Knob | 39 | 750-0807 | | Spacer .385" I.D. x .625" O.D. |
| 17 | 682-0509 | | Height Adj. Pivot Plate Ass'y. | 40 | 756-0558 | | Fl-Idler 1.5" O.D. |
| 18 | 736-0474 | | DD Washer 1.5" O.D. | 41 | 741-0556 | | Needle Brg. .375" I.D. |
| 19 | 716-0102 | | Snap Ring | 42 | 710-0201 | | Hex Bolt 3/8-16 x .62" Lg. |
| 21 | 748-0357 | | 14-T Spur Gear | 43 | 736-0331 | | Bell-Wash. .39" I.D. x 1.13" O.D. |
| | | | | 44 | 712-0798 | | Hex Nut 3/8-16 Thd.* |
| | | | | 45 | 777-0671 | | Foil Label |

Models 475 thru 479

†Optional Hub Caps

| Description | Part No. |
|----------------------|-----------|
| Gray (3-1/2" Dia.) | 720-0249 |
| Black (4-1/4" Dia.) | 731-0354 |
| Gray (4-1/4" Dia.) | 731-0355A |
| Gray (5-1/2" Dia.) | 731-0981A |
| Yellow (5-1/2" Dia.) | 731-1426 |






PARTS LIST FOR MODELS 475 THRU 479 ROTARY MOWERS

| REF. NO. | PART NO. | CODE | DESCRIPTION | REF. NO. | PART NO. | CODE | DESCRIPTION |
|----------|----------|------|---|----------|----------|------|-------------------------------|
| 1 | 710-1017 | | Torx Mach. AB-Tap Scr. 1/4 x .62" Lg. | 10 | 732-0589 | | Extension Spring 2.39" Lg. |
| 2 | 721-0216 | | Height Adjustment Support | 11 | 736-0105 | | Bell-Wash. .380" I.D. x .88" |
| 3 | 17323 | | Height Adjustment Plate | 12 | ** | | Ball Bearing 1/2" I.D. |
| 4 | 736-0329 | | L-Wash. 1/4" I.D.* | 13 | † | | Hub Cap (See Above) |
| 6 | 747-0699 | | Height Adj. Connecting Rod | 14 | ** | | Wheel Ass'y. Comp.—Front |
| 7 | 714-0507 | | Cotter Pin 3/32" Dia. | 15 | 738-0102 | | Shld. Bolt .498" Dia. x 1.45" |
| 8 | 17022 | | Front Axle Ass'y. | 16 | 736-0504 | | Wave Wash. .51" I.D. x .78" |
| 9 | 710-0352 | | Hex L-Wash. Hd. AB-Tap Scr. 1/4 x .38" Lg. | | | | (Used w/Ball Bearings) |

*For faster service obtain standard nuts, bolts and washers locally.
If these items cannot be obtained locally, order by part number and size as shown on parts list.

**WHEEL CHART

| | | |
|---|---|--|
| Bar Tread  | "T" Tread  | "S" Wave Tread  |
|---|---|--|

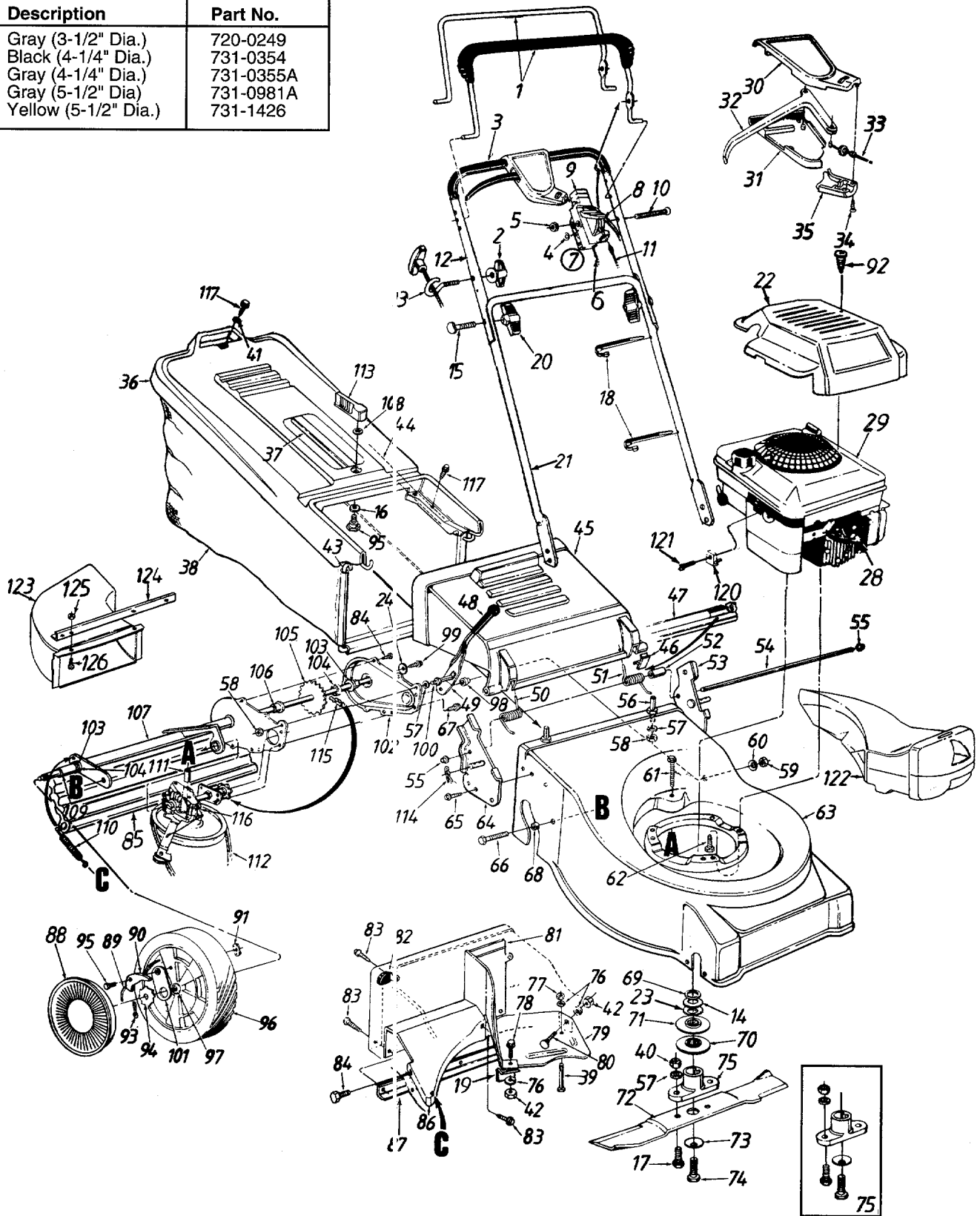
| Size | Tread Type | Front Wheels | | Rear Wheels | |
|------------|------------|--------------------------|--------------------|--------------------------|-----------------------|
| | | Part No. | Bearings | Part No. | Bearings |
| 8" x 1.75" | Bar Tread | 634-0020 | — | 634-0020 | — |
| 8" x 1.75" | "T" Tread | 734-1268 | 741-0484 Ball Brg. | 734-1412 | 741-0486B Sleeve Brg. |
| 8" x 2" | "S" Wave | 734-1512A | — | 734-1512A | — |
| 8" x 2" | "S" Wave | 734-1513B (Gray Rim) | 741-0484 Ball Brg. | 734-1510B (Gray Rim) | 741-0486B Sleeve Brg. |
| 8" x 2" | "S" Wave | 734-1790 (Yellow Rim) | 741-0484 Ball Brg. | 734-1791 (Yellow Rim) | 741-0486B Sleeve Brg. |

Models 475 thru 479

Grass Catcher Complete: Model 190-076-000
 Optional Mulching Kit Complete: Model 190-108-000
 Optional Chute Deflector: Model 190-109-000

†Optional Hub Caps

| Description | Part No. |
|----------------------|-----------|
| Gray (3-1/2" Dia.) | 720-0249 |
| Black (4-1/4" Dia.) | 731-0354 |
| Gray (4-1/4" Dia.) | 731-0355A |
| Gray (5-1/2" Dia.) | 731-0981A |
| Yellow (5-1/2" Dia.) | 731-1426 |



PARTS LIST FOR MODELS 475 THRU 479 ROTARY MOWERS

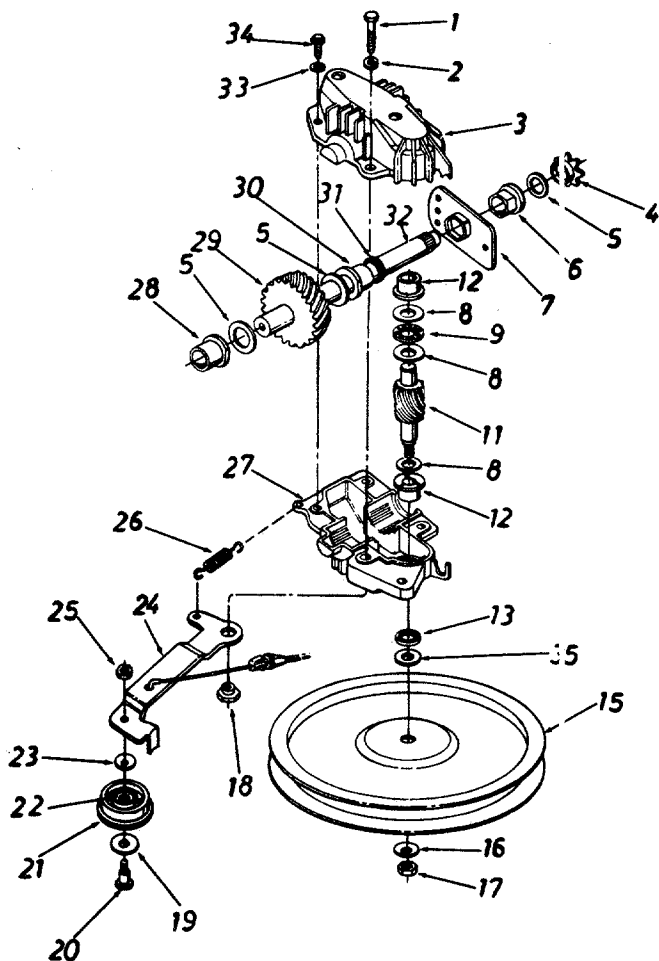
| REF. NO. | PART NO. | CODE | DESCRIPTION | REF. NO. | PART NO. | CODE | DESCRIPTION |
|----------|------------|------|---|----------|-----------|------|---|
| 1 | 747-0824 | | Std. Control Handle | 47 | 731-0858 | | Seal—Extrusion |
| | 647-0004 | | Deluxe Control Handle | 48 | 720-0223 | | Grip |
| 2 | 720-0297 | N | Handle Knob 1/4-20 Thd. | 49 | 732-0580 | | Spring Lever |
| 3 | 720-0225 | | Foam Grip (Optional) | 50 | 732-0578B | | Torsion Spring—R.H. |
| 4 | 736-0501 | | Spr. Wash. .66" I.D. | 51 | 732-0577B | | Torsion Spring—L.H. |
| 5 | 712-0324 | | Hex L-Nut 1/4-20 Thd. | 52 | 750-0566 | | Spacer .255" I.D. |
| 6 | 746-0843 | | Throttle Cable—55" (B & S) | 53 | 12297B | | Handle Brkt. Ass'y.—L.H. |
| | 746-0845 | | Throttle Cable—45" (Tecumseh) | 54 | 747-0698B | | Hinge Pin 17.75" Lg. |
| | 746-0842 | | Throttle Cable—51" (477D Only) | 55 | 726-0106 | | Cap Speed Nut |
| 7 | 811-00185 | | Throttle Box Comp. (Incl. Ref. 4, 5, 8, 9, 10) | 56 | 711-0805 | | Shld. Pin 3/8-24 x 1.43" Lg. |
| 8 | 746-0876 | | Throttle Lever | 57 | 736-0169 | | L-Wash. 3/8" I.D.* |
| 9 | 646-0875 | N | Throttle Body | 58 | 712-0711 | | Hex Jam Nut 3/8-24 Thd. |
| 10 | 710-0605 | | Oval C-Sunk Scr. | 59 | 712-0296 | | Hex L-Nut 3/8-24 Thd. |
| 11 | 746-0554 | | Control Cable—40.5" (B & S) | 60 | 736-0105 | | Bell-Wash. .38" I.D. x .88" |
| | 746-0555 | | Control Cable—55" (Tecumseh) | 61 | 710-0778 | | Hex Wash. Hd. Tap Scr. 1/4-20 x 1.5" Lg. |
| | 746-0737 | | Control Cable—51" (477D Only) | 62 | 710-0654A | | Hex L-Wash. Hd. Scr. 3/8-16 x 1" Lg. |
| 12 | 749-0539B | | Upper Handle | 63 | 16997 | | 21" Deck Ass'y. |
| 13 | 710-1205 | | Rope Guide | 64 | 12296B | | Handle Brkt. Ass'y.—R.H. |
| 14 | 736-0513 | | Spr. Wash. .89" I.D. (Used w/Keyed Adapter) | 65 | 710-0892 | | Hex L-Wash. Hd. AB-Tap Scr. 1/4 x .62" Lg. |
| | 736-0450 | | Bell-Wash. 1.01" I.D.—2 Req'd. (Used w/Splined Adapter) (B& S Engine) | 66 | 710-1006 | | Hex Wash. Hd. Tap Scr. 3/8-16 x .75" Lg. |
| | 736-0447 | | Wave Wash. 1" I.D.—2 Req'd. (Tec. Engine) | 67 | 710-0599 | | Hex Wash. Hd. Tap Scr. 1/4-20 x .5" Lg. |
| 15 | 710-1174 | | Curved Hd. Bolt 5/16-18 x 2" | 68 | 750-0736 | | Spacer .383" I.D. |
| 16 | 736-0286 | | Bowed Washer | 69 | 748-0358 | | Crankshaft Spacer (Keyed) |
| 17 | 710-1055 | | Hex Bolt 3/8-24 x 1" Lg. | | 748-0332 | | Crankshaft Spacer (Splined) (B&S Engine) |
| 18 | 726-0240 | | Cable Tie | | 736-0409 | | Serr.-Wash. 1" I.D. (Tec. Engine) |
| 19 | 782-7010 | | Stop Brkt. | 70 | 756-0961 | | Pulley Half—Lower (Keyed) |
| 20 | 720-0276 | | Hand Knob | 71 | 756-0962 | | Pulley Half—Upper (Keyed) |
| 21 | 749-0928 | | Lower Handle | | 756-0502 | | Pulley Half—2 Req'd. (Used w/Splined Adapter) |
| 22 | 751B281191 | | XTE Engine Shroud (Black— Optional) | 72 | 742-0621 | | 21" Blade |
| | 751B281295 | | XTE Engine Shroud (Red— Optional) | | 742-0721 | | 21" Mulching Blade (Optional) |
| | 731-1402 | | Engine Shroud (Yellow— Optional) | 73 | 736-0452 | | Bell-Wash. .39" I.D. (Used w/Keyed Adapter) |
| | 731-1396 | | Engine Shroud (Black—Optional) | | 736-0453 | | Bell-Wash. .46" I.D. (Used w/Splined Adapter) |
| 23 | 736-0514 | | Fl-Wash. .88" I.D. x 1.85" (Used w/Keyed Adapter) | 74 | 710-1044 | | Hex Bolt 3/8-24 x 1.5" Lg. (Used w/Keyed Adapter) |
| 24 | 736-0270 | | Bell-Wash. .265" I.D. x .75" | | 710-0757 | | Hex Bolt 7/16-20 x 1.5" Lg. (Used w/Splined Adapter) |
| 28 | 735-0639 | | Spark Plug Boot (Optional) | 75 | 753-0484 | | Blade Adapter Kit (Keyed) |
| 29 | — | | Engine | | 753-0485 | | Blade Adapter Kit (Splined) |
| 30 | 731-1057 | | Control Cover Half—Upper | 76 | 736-0329 | | L-Wash. 1/4" I.D.* |
| 31 | 731-1058 | | Control Cover Half—Lower | 77 | 712-0298 | | Hex Jam Nut 1/4-20 Thd. |
| 32 | 731-0620 | | Control Lever | 78 | 710-0252 | | Hex Bolt 1/4-20 x .85" Lg. |
| 33 | 746-0711A | | Drive Cable—51" Lg. | 79 | 682-5009 | N | Ext. Baffle |
| 34 | 710-0841 | | Flat C-Sunk Hd. Tap Scr. #10 x .75" Lg. | 80 | 710-0167 | | Carr. Bolt 1/4-20 x .50" Lg.* |
| 35 | 731-1059 | | Cable Mtg. Cap | 81 | 17006 | | Rear Panel Baffle |
| 36 | 731-0857A | | Hardtop Bag Cover | 82 | 731-0931 | | Corner Plug |
| 37 | 731-0856A | | Hardtop Handle | 83 | 710-1017 | | Torx Mach. AB-Tap Scr. 1/4 x .62" Lg. |
| 38 | 764-0252 | | Grass Bag | 84 | 710-0352 | | Hex B-Tap Scr. 1/4 x .38" Lg. |
| 39 | 710-0166 | | Truss Mach. Scr. 1/4-20 x 1.0" Lg. | 85 | 731-1488 | N | Rear Flap |
| 40 | 712-0241 | | Hex Nut 3/8-24 Thd.* | 86 | 17008 | | Rear Chute Baffle |
| 41 | 736-0463 | | Fl-Wash. .281" I.D. x .62" | 87 | 782-5010 | N | Retaining Strip |
| 42 | 712-0287 | | Hex Nut 1/4-20 Thd.* | 88 | † | | Hub Cap (Optional) |
| 43 | 764-0411 | | Front Catcher Frame | 89 | 10622B | | Plastic Spring |
| 44 | 749-0736A | | Rear Catcher Frame | 90 | 748-0188B | | Pawl .345" I.D. |
| 45 | 731-0859 | | Chute Deflector | | | | |
| 46 | 731-0970B | | Deflector Plug | | | | |

PARTS LIST FOR MODELS 475 THRU 479 ROTARY MOWERS (CONTINUED)

| REF. NO. | PART NO. | CODE | DESCRIPTION | REF. NO. | PART NO. | CODE | DESCRIPTION |
|----------|-----------|------|------------------------------------|----------|------------|------|---------------------------------|
| 91 | 712-0414 | | Weld Top L-Nut 1/4-20 Thd. | 110 | 732-0481 | | Extension Spring 3.8" Lg. |
| 92 | 710-1256 | | Hi-Lo Scr. #10 x 1.25" Lg. | 111 | 750-0589 | | Spacer .325" I.D. |
| 93 | 714-0115 | | Cotter Pin 1/8" Dia. | 112 | 754-0346 | | V-Belt |
| 94 | 748-0318 | | Ratchet Wheel 1.62" (O.D. | 113 | 720-0224 | | Grass Catcher Locking Knob |
| 95 | 738-0137 | | Shld. Bolt .342" Dia. x .268" | 114 | 714-0104 | | Internal Cotter Pin 5/16" Dia. |
| 96 | ** | | Wheel Ass'y. Comp.—Rear | 115 | 713-0353 | | #48 Chain .50" Pitch x 30 Links |
| 97 | ** | | Bearing 1/2" I.D. | 116 | 717-0417B | | Transmission Comp. |
| 98 | 750-0624 | | Shld. Spacer .50" Dia. | | | | (See Breakdown) |
| 99 | 710-0751 | | Hex Bolt 1/4-20 x .62" Lg. (Gr. 5) | 117 | 710-0892 | | Hex L-Wash. H.D. AB-Tap Scr. |
| 100 | 711-0805 | | Shld. Pin 3/8-24 x 1.43" Lg. | | | | 1/4 x .62" Lg. |
| 101 | 16855 | | Pawl Plate | 120 | 751B213146 | N | Cable Clamp (B & S) |
| 102 | 17053A | | Chain Cover Ass'y. | 121 | 710-1237 | | Hex Self-Tap Scr. |
| 103 | 741-0324 | | Hex Flange Brg. .506" I.D. | | | | #10-32 x .62" Lg. (B & S) |
| 104 | 736-0160 | | Fl-Wash. .531" I.D. x .93" | 122 | 731-1446 | | Mulching Plug (Optional) |
| 105 | 738-0719A | | Rear Axle Ass'y. | 123 | 731-1461 | | Chute Deflector (Optional) |
| 106 | 741-0522 | | Hex Flange Bearing | 124 | 782-7011 | | Chute Mouting Brkt. (Optional) |
| 107 | 17009 | | Chain Axle Ass'y. | 125 | 712-0324 | | Hex L-Nut 1/4-20 Thd. |
| 108 | 736-0498 | | Internal L-Wash. 1/4" I.D. | 126 | 710-0286 | | Mach. Scr. 1/4-20 x .5" Lg. |
| 109 | 748-0190 | | Spacer .513" I.D. | | | | |

Models 475 thru 479

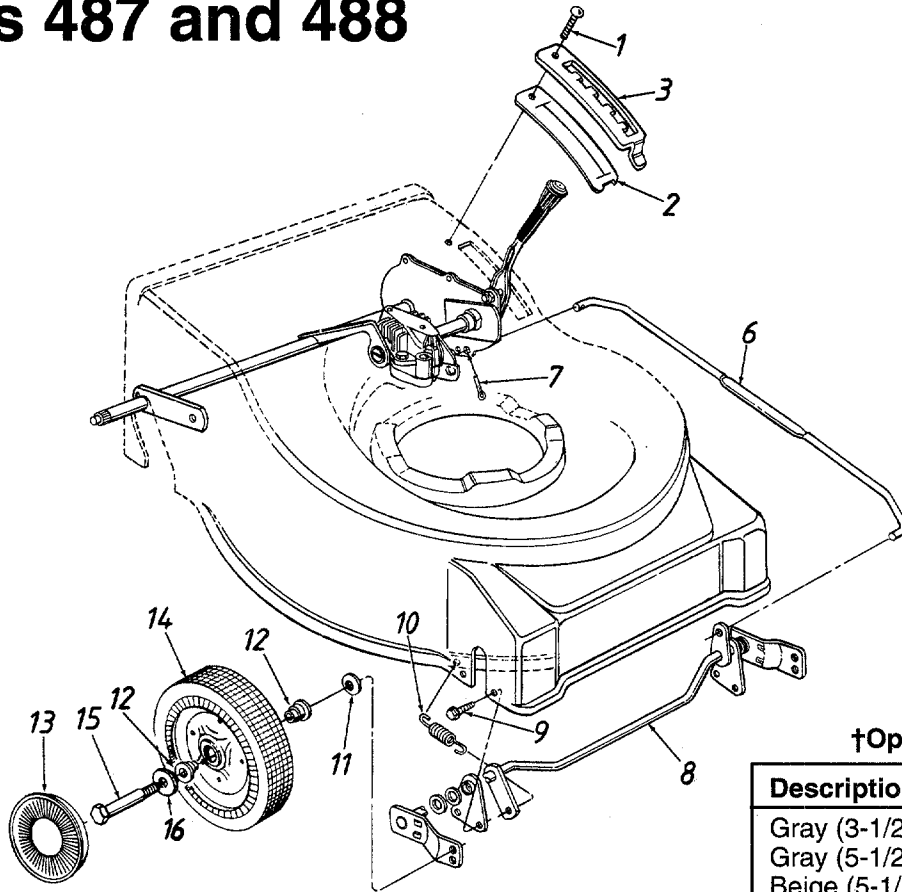
PARTS LIST FOR MODELS 475 THRU 479 ROTARY MOWERS



†Not Part of Transmission Complete

| REF. NO. | PART NO. | CODE | DESCRIPTION |
|----------|-----------|------|--|
| 1 | 710-1062 | | Hex Bolt 1/4-20 x 1.25" Lg. w/Patch |
| 2 | 736-0329 | | L-Wash. 1/4" I.D.* |
| 3 | 717-0418A | | Upper Hsg. Half |
| 4 | 713-0400 | | #48 Sprocket 7 Tooth x 1/2 Pitch |
| 5 | 736-0336 | | Fl-Wash. 5/8" I.D. x .030 |
| 6 | 741-0413 | | Hex Flange Brg. .631" I.D. |
| 7 | 16500A | | Hex Bearing Cup |
| 8 | 736-0314 | | Thrust Wash. .382" I.D. x .70" O.D. |
| 9 | 741-0479 | | Thrust Bearing .375" I.D. x .812" O.D. |
| 11 | 717-1216 | | 11 Tooth Pinion Shaft |
| 12 | 748-0208A | | Flange Bearing |
| 13 | 721-0212 | | Oil Seal |
| 15 | 756-0330A | | Fl-Pulley 5.06" O.D.† |
| 16 | 736-0270 | | Bell-Wash. .265" I.D. x .75"† |
| 17 | 712-0351 | | Hex L-Nut 1/4-28 L.H. Thd.† |
| 18 | 738-0440 | | Shld. Spacer .375" Dia. x .170"† |
| 19 | 736-0344 | | Fl-Wash. .390" I.D. x 1.0"† |
| 20 | 738-0826 | | Shld. Bolt .375" Dia. x .40"† |
| 21 | 656-0008 | N | Fl-Idler Plastic 1.50" Dia. (Incl Ref. #22)† |
| 22 | 741-0556 | | Needle Brg. .375" x .31"† |
| 23 | 736-0270 | | Bell-Wash. .265" I.D. x .75"† |
| 24 | 17052A | | Idler Brkt. Ass'y.† |
| 25 | 712-0138 | | Hex Patch L-Nut 1/4-28 Thd.† |
| 26 | 732-0357A | | Extension Spring 1.12" Lg.† |
| 27 | 717-0419A | | Lower Hsg. Half |
| 28 | 741-0415 | | Flange Bearing .566 Dia. |
| 29 | 717-0422 | | 33 Tooth Helical Gear |
| 30 | 741-0414 | | Flange Bearing .629 Dia. |
| 31 | 721-0213 | | Oil Seal .625 Dia. |
| 32 | 738-0607 | | Gear Sprocket Shaft |
| 33 | 736-0722 | | L-Wash. #10 I.D. |
| 34 | 710-0436 | | Hex B-Tap Scr. #10 x .62" |
| 35 | 736-0410 | | Hex Washer .26" x .88"† |
| — | 717-0417B | | Transmission Comp. |

Models 487 and 488



†Optional Hub Caps


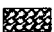

| Description | Part No. |
|---------------------|-----------|
| Gray (3-1/2" Dia.) | 720-0249 |
| Gray (5-1/2" Dia.) | 731-0981A |
| Beige (5-1/2" Dia.) | 731-0982A |

PARTS LIST FOR MODELS 487 AND 488 ROTARY MOWERS

| REF. NO. | PART NO. | CODE | DESCRIPTION | REF. NO. | PART NO. | CODE | DESCRIPTION |
|----------|----------|------|---|----------|----------|------|---|
| 1 | 710-1017 | | Torx Mach. AB-Tap Scr. 1/4 x .62" Lg. | 10 | 732-0589 | | Extension Spring 2.39" Lg. |
| 2 | 721-0216 | | Height Adjustment Support | 11 | 736-0105 | | Bell-Wash. .380" I.D. x .88" |
| 3 | 17323 | | Height Adjustment Plate | 12 | ** | | Ball Bearing 1/2" I.D. |
| 6 | 747-0699 | | Height Adj. Connecting Rod | 13 | † | | Hub Cap (See Above) |
| 7 | 714-0507 | | Cotter Pin 3/32" Dia. | 14 | ** | | Wheel Ass'y. Comp.—Front |
| 8 | 17022 | | Front Axle Ass'y. | 15 | 738-0102 | | Shld. Bolt .498" Dia. x 1.45" |
| 9 | 710-0352 | | Hex L-Wash. Hd. AB-Tap Scr. 1/4 x .38" Lg. | 16 | 736-0504 | | Wave Wash. .51" I.D. x .78" (Used w/Ball Bearings) |

*For faster service obtain standard nuts, bolts and washers locally.
If these items cannot be obtained locally, order by part number
and size as shown on parts list.

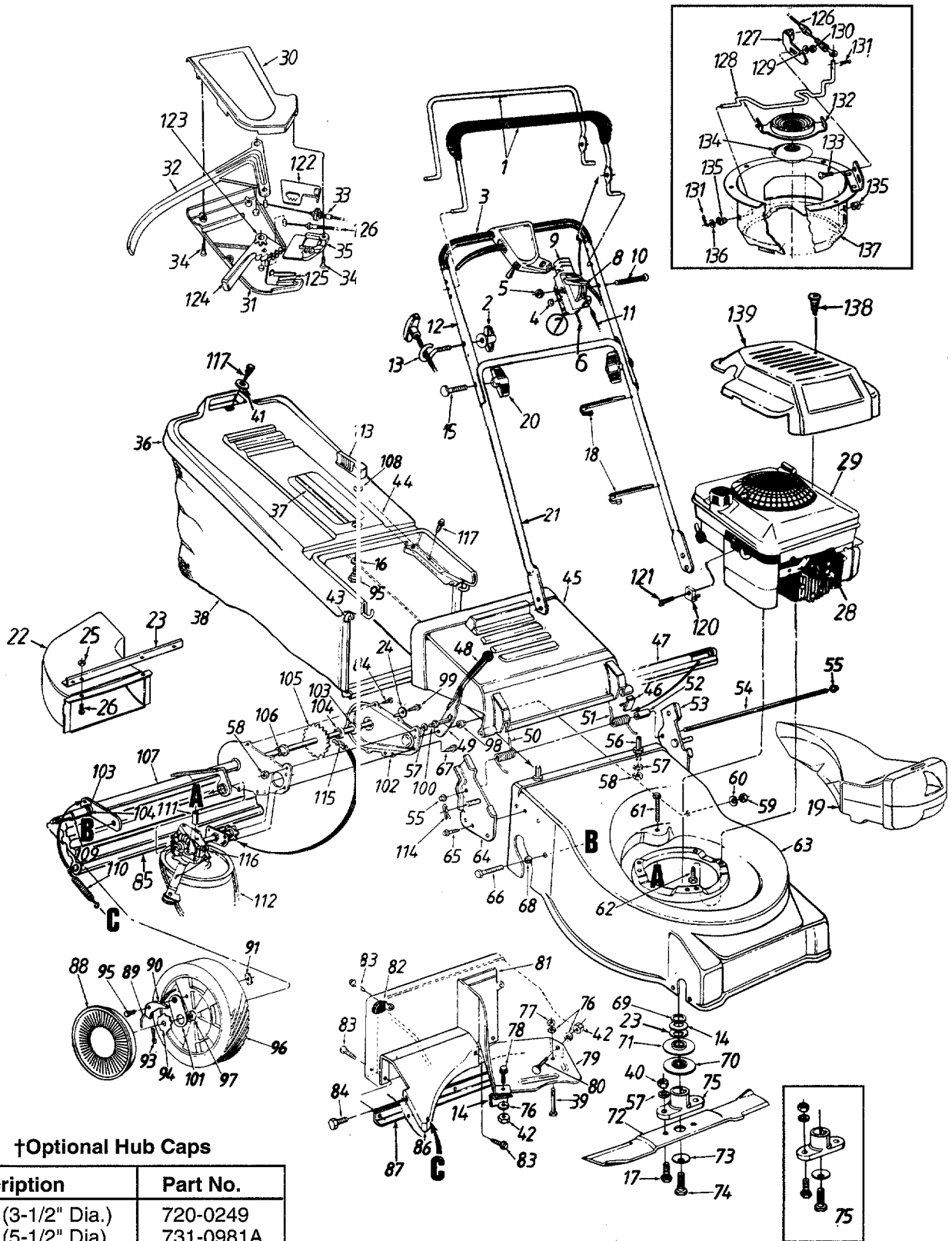
**WHEEL CHART

| | | |
|---|---|--|
| Bar Tread  | "T" Tread  | "S" Wave Tread  |
|---|---|--|

| Size | Tread Type | Front Wheels | | Rear Wheels | |
|------------|------------|--------------|--------------------|-------------|-----------------------|
| | | Part No. | Bearings | Part No. | Bearings |
| 8" x 1.75" | Bar Tread | 634-0020 | — | 634-0020 | — |
| 8" x 1.75" | "T" Tread | 734-1268 | 741-0484 Ball Brg. | 734-1412 | 741-0486B Sleeve Brg. |
| 8" x 2" | "S" Wave | 734-1512A | — | 734-1510B | 741-0486B Sleeve Brg. |
| 8" x 2" | "S" Wave | 734-1513B | 741-0484 Ball Brg. | 734-1510B | 741-0486B Sleeve Brg. |

Models 487 and 488

Grass Catcher Complete: Model 190-076-000
 Optional Mulching Kit Complete: Model 190-108-000
 Optional Chute Deflector: Model 190-109-000



†Optional Hub Caps

| Description | Part No. |
|---------------------|-----------|
| Gray (3-1/2" Dia.) | 720-0249 |
| Gray (5-1/2" Dia) | 731-0981A |
| Beige (5-1/2" Dia.) | 731-0982A |

PARTS LIST FOR MODELS 487 AND 488 ROTARY MOWERS

| REF. NO. | PART NO. | CODE | DESCRIPTION | REF. NO. | PART NO. | CODE | DESCRIPTION |
|----------|-----------|------|---|----------|------------|------|------------------------------------|
| 1 | 747-0824 | | Std. Control Handle | 61 | 710-0778 | | Hex Wash. Hd. Tap Scr. |
| | 647-0004 | | Deluxe Control Handle | | | | 1/4-20 x 1.5" Lg. |
| 2 | 720-0279 | | Handle Knob 1/4-20 Thd. | 62 | 710-0654A | | Hex L-Wash. Hd. Scr. |
| 3 | 720-0225 | | Foam Grip (Optional) | | | | 3/8-16 x 1" Lg. |
| 4 | 736-0501 | | Spr. Wash. .66" I.D. | 63 | 16997 | | 21" Deck Ass'y. |
| 5 | 712-0324 | | Hex L-Nut 1/4-20 Thd. | 64 | 12296B | | Handle Brkt. Ass'y.—R.H. |
| 6 | 746-0843 | | Throttle Cable—55" (B&S) | 65 | 710-0892 | | Hex L-Wash. Hd. AB-Tap Scr. |
| 7 | 811-00185 | | Throttle Box Comp. (Incl. Ref. 4, 5, 8, 9, 10) | 66 | 710-1006 | | 1/4 x .62" Lg. |
| 8 | 746-0876 | | Throttle Lever | | | | Hex Wash. Hd. Tap Scr. |
| 9 | 646-0875 | | Throttle Body | 67 | 710-0599 | | 3/8-16 x .75" Lg. |
| 10 | 710-0605 | | Oval C-Sunk Scr. | | | | Hex Wash. Hd. Tap Scr. |
| 11 | 746-0554 | | Control Cable—40.5" (B&S) | 68 | 750-0736 | | 1/4-20 x .5" Lg. |
| | 746-0737 | | Control Cable—51" (Tec.) | 72 | 742-0621 | | Spacer .383" I.D. |
| 12 | 749-0539B | | Upper Handle | 73 | 742-0721 | | 21" Blade |
| 13 | 710-1205 | | Rope Guide | 74 | 736-0453 | | 21" Mulching Blade (Optional) |
| 14 | 782-7010 | | Stop Bracket | 75 | 710-0757 | | Bell-Wash. .46" I.D. |
| 15 | 710-1174 | | Curved Hd. Bolt 5/16-18 x 2" | 76 | 753-0485 | | Hex Bolt 7/16-20 x 1.5" Lg. |
| 16 | 736-0286 | | Bowed Washer | 77 | 736-0329 | | Blade Adapter Kit |
| 17 | 710-1055 | | Hex Bolt 3/8-24 x 1" Lg. | 78 | 712-0298 | | L-Wash. 1/4" I.D.* |
| 18 | 726-0240 | | Cable Tie | 79 | 710-0252 | | Hex Jam Nut 1/4-20 Thd. |
| 19 | 731-1446 | | Mulching Plug (Optional) | 80 | 17013A | N | Hex Bolt 1/4-20 x .85" Lg. |
| 20 | 720-0276 | | Hand Knob | 81 | 710-0167 | | Rear Belt Baffle |
| 21 | 749-0928 | | Lower Handle | 82 | 17006 | | Carr. Bolt 1/4-20 x .50" Lg.* |
| 22 | 731-1461 | | Chute Deflector (Optional) | 83 | 731-0931 | | Rear Panel Baffle |
| 23 | 782-7011 | | Chute Mounting Brkt. (Optional) | | | | Corner Plug |
| 24 | 736-0270 | | Bell-Wash. .265" I.D. x .75" | 84 | 710-1017 | | Torx Mach. AB-Tap Scr. 1/4 x |
| 25 | 712-0324 | | Hex L-Nut 1/4-20 Thd. | 85 | 710-0352 | | .62" Lg. |
| 26 | 710-0286 | | Mach. Scr. 1/4-20 x .5" Lg. | 86 | 731-1488 | N | Hex B-Tap Scr. 1/4 x .38" Lg. |
| 28 | 735-0639 | | Spark Plug Boot (Optional) | 87 | 17008 | | Rear Flap |
| 29 | — | | Engine | 88 | 14847 | | Rear Chute Baffle |
| 30 | 731-0904 | | Control Cover Half—Upper | 89 | 10622B | | Retaining Strip |
| 31 | 731-0905 | | Control Cover Half—Lower | 90 | 748-0188B | | Hub Cap (Optional) |
| 32 | 731-0620 | | Control Lever | 91 | 712-0414 | | Plastic Spring |
| 33 | 746-0711A | | Drive Cable—51" Lg. | 92 | 714-0115 | | Pawl .345" I.D. |
| 34 | 710-0841 | | Flat C-Sunk Hd. Tap Scr. #10 x .75" Lg. | 93 | 714-0115 | | Weld Top L-Nut 1/4-20 Thd. |
| 35 | 731-0906 | | S.P. Control Cover | 94 | 748-0318 | | Cotter Pin 1/8" Dia. |
| 36 | 731-0857A | | Hardtop Bag Cover | 95 | 738-0137 | | Ratchet Wheel 1.62" O.D. |
| 37 | 731-0856A | | Hardtop Handle | 96 | ** | | Shld. Bolt .342" Dia. x .268" |
| 38 | 764-0252 | | Grass Bag | 97 | ** | | Wheel Ass'y. Comp.—Rear |
| 39 | 710-0166 | | Truss Mach. Scr. 1/4-20 x 1.0" Lg. | 98 | 750-0624 | | Bearing 1/2" I.D. |
| 40 | 712-0241 | | Hex Nut 3/8-24 Thd.* | 99 | 710-0751 | | Shld. Spacer .50" Dia. |
| 41 | 736-0463 | | Fl-Wash. .281" I.D. x .62" | 100 | 711-0805 | | Hex Bolt 1/4-20 x .62" Lg. (Gr. 5) |
| 42 | 712-0287 | | Hex Nut 1/4-20 Thd.* | 101 | 16855 | | Shld. Pin 3/8-24 x 1.43" Lg. |
| 43 | 764-0411 | | Front Catcher Frame | 102 | 17053A | | Pawl Plate |
| 44 | 749-0736A | | Rear Catcher Frame | 103 | 741-0324 | | Chain Cover Ass'y. |
| 45 | 731-0859 | | Chute Deflector | 104 | 736-0160 | | Hex Flange Brg. .506" I.D. |
| 46 | 731-0970B | | Deflector Plug | 105 | 738-0719A | | Fl-Wash. .531" I.D. x .93" |
| 47 | 731-0858 | | Seal—Extrusion | 106 | 741-0522 | | Rear Axle Ass'y. |
| 48 | 720-0223 | | Grip | 107 | 17009 | | Hex Flange Bearing |
| 49 | 732-0580 | | Spring Lever | 108 | 736-0498 | | Chain Axle Ass'y. |
| 50 | 732-0578B | | Torsion Spring—R.H. | 109 | 748-0190 | | Internal L-Wash. 1/4" I.D. |
| 51 | 732-0577B | | Torsion Spring—L.H. | 110 | 732-0481 | | Spacer .513" I.D. |
| 52 | 750-0566 | | Spacer .255" I.D. | 111 | 750-0589 | | Extension Spring 3.8" Lg. |
| 53 | 12297B | | Handle Brkt. Ass'y.—L.H. | 112 | 754-0346 | | Spacer .325" I.D. |
| 54 | 747-0698B | | Hinge Pin 17.75" Lg. | 113 | 720-0224 | | V-Belt |
| 55 | 726-0106 | | Cap Speed Nut | 114 | 714-0104 | | Grass Catcher Locking Knob |
| 56 | 711-0805 | | Shld. Pin 3/8-24 x 1.43" Lg. | 115 | 713-0353 | | Internal Cotter Pin 5/16" Dia. |
| 57 | 736-0169 | | L-Wash. 3/8" I.D.* | 116 | 717-0417B | | #48 Chain .50" Pitch x 30 Links |
| 58 | 712-0711 | | Hex Jam Nut 3/8-24 Thd. | 117 | 710-0892 | | Transmission Comp. |
| 59 | 712-0296 | | Hex L-Nut 3/8-24 Thd. | | | | (See Breakdown) |
| 60 | 736-0105 | | Bell-Wash. .38" I.D. x .88" | 120 | 751B213146 | N | Hex L-Wash. H.D. AB-Tap Scr. |
| | | | | | | | 1/4 x .62" Lg. |
| | | | | | | | Cable Clamp (B&S) |

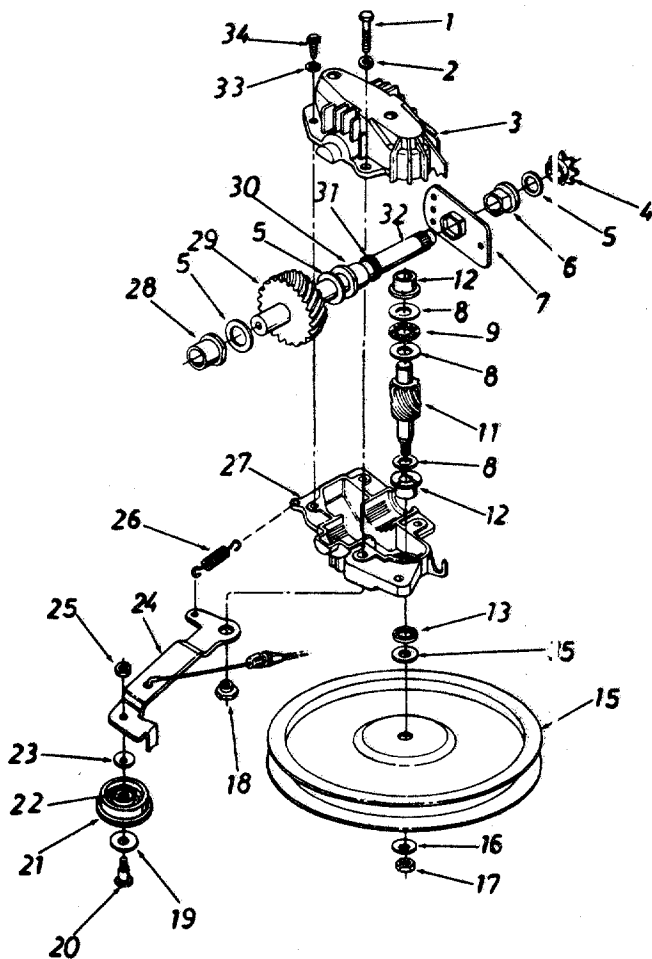
Models 487 and 488

PARTS LIST FOR MODELS 487 AND 488 ROTARY MOWERS (CONTINUED)

| REF. NO. | PART NO. | CODE | DESCRIPTION | REF. NO. | PART NO. | CODE | DESCRIPTION |
|----------|-----------|------|--|----------|------------|------|------------------------------------|
| 121 | 710-1237 | | Hex Self-Tap Scr. #10-32 x .62" Lg. (B.&S) | 133 | 710-0167 | | Carr. Bolt 1/4-20 x .5" Lg. |
| 122 | 16864 | | 6-Speed Rack Cable Brkt. | 134 | 756-0503 | | Splined Pulley Half |
| 123 | 713-0397 | | 3 Tooth Rack Gear Insprt | 135 | 731-1137 | | Flanged Bushing |
| 124 | 731-0924 | | 6-Speed Shift Lever | 136 | 736-0278 | | Fl-Wash. .328" I.D. x .68" O.D. |
| 125 | 732-0627 | | Shift Lever Spring | 137 | 682-7514 | | Housing Ass'y. |
| 126 | 746-0706 | | Spd. Control Cable | 138 | 710-1256 | | Hi-Lo Scr. #10 x 1.25" Lg. |
| 127 | 17070 | | Adjustable Cable Brkt. | 139 | 751B281295 | | XTE Engine Shroud (Red—Optional) |
| 128 | 747-0684 | | Shift Rod | | 751B281191 | | XTE Engine Shroud (Black—Optional) |
| 129 | 736-0270 | | Bell-Wash. .265" I.D. x .75" | | 731-1396 | | Engine Shroud (Black—Optional) |
| 130 | 712-0291 | | Hex Cent. L-Nut 1/4-20 Thd. | | | | |
| 131 | 714-0507 | | Cot-Pin 3/32" Dia. x .75" Lg. | | | | |
| 132 | 741-0500A | | Movable Pulley Half Ass'y. | | | | |

Models 487 and 488

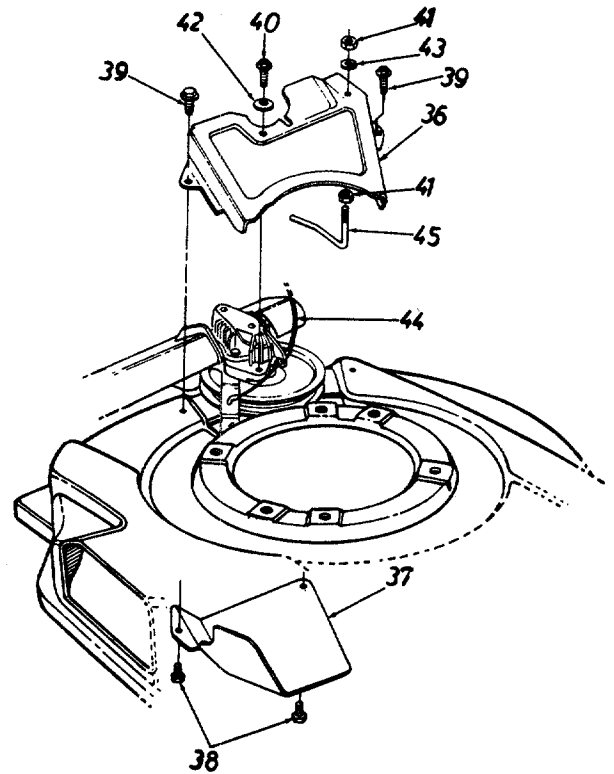
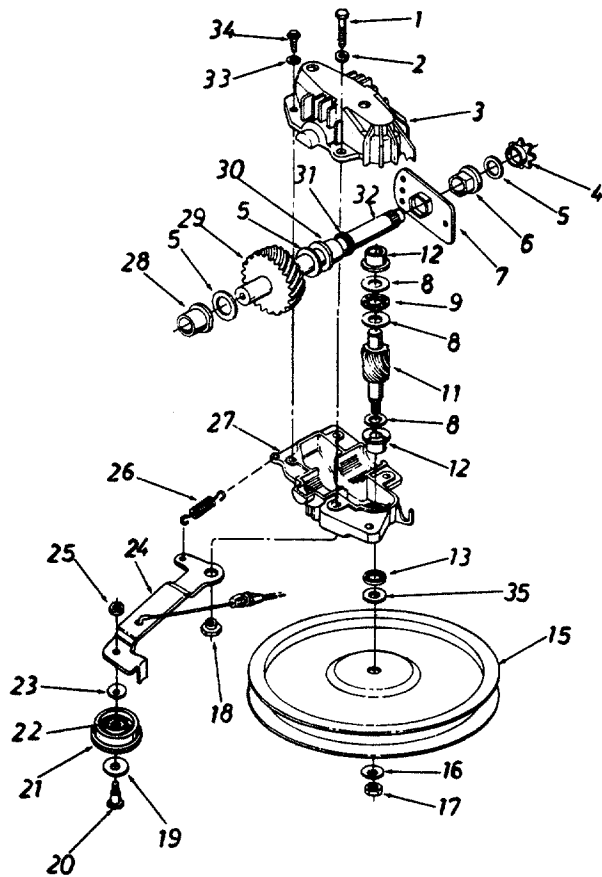
PARTS LIST FOR MODELS 487 AND 488 ROTARY MOWERS



†Not Part of Transmission Complete

| REF. NO. | PART NO. | CODE | DESCRIPTION |
|----------|-----------|------|--|
| 1 | 710-1062 | | Hex Bolt 1/4-20 x 1.25" Lg. w/Patch |
| 2 | 736-0329 | | L-Wash. 1/4" I.D.* |
| 3 | 717-0418A | | Upper Hsg. Half |
| 4 | 713-0400 | | #48 Sprocket 7 Tooth x 1/2 Pitch |
| 5 | 736-0336 | | Fl-Wash. 5/8" I.D. x .030 |
| 6 | 741-0413 | | Hex Flange Brg. .631" I.D. |
| 7 | 16500A | | Hex Bearing Cup |
| 8 | 736-0314 | | Thrust Wash. .382" I.D. x .70" O.D. |
| 9 | 741-0479 | | Thrust Bearing .375" I.D. x .812" O.D. |
| 11 | 717-1216 | | 11 Tooth Pinion Shaft |
| 12 | 748-0208A | | Flange Bearing |
| 13 | 721-0212 | | Oil Seal |
| 15 | 756-0330A | | Fl-Pulley 5.06" O.D.† |
| 16 | 736-0270 | | Bell-Wash. .265" I.D. x .75"† |
| 17 | 712-0351 | | Hex L-Nut 1/4-28 L.H. Thd.† |
| 18 | 738-0440 | | Shld. Spacer .375" Dia. x .170"† |
| 19 | 736-0344 | | Fl-Wash. .390" I.D. x 1.0"† |
| 20 | 738-0826 | | Shld. Bolt .375" Dia. x .40"† |
| 21 | 656-0008 | N | Fl-Idler Plastic 1.50" Dia. (Incl Ref. #22)† |
| 22 | 741-0556 | | Needle Brg. .375" x .31"† |
| 23 | 736-0270 | | Bell-Wash. .265" I.D. x .75"† |
| 24 | 17052A | | Idler Brkt. Ass'y.† |
| 25 | 712-0138 | | Hex Patch L-Nut 1/4-28 Thd.† |
| 26 | 732-0357A | | Extension Spring 1.12" Lg.† |
| 27 | 717-0419A | | Lower Hsg. Half |
| 28 | 741-0415 | | Flange Bearing .566 Dia. |
| 29 | 717-0422 | | 33 Tooth Helical Gear |
| 30 | 741-0414 | | Flange Bearing .629 Dia. |
| 31 | 721-0213 | | Oil Seal .625 Dia. |
| 32 | 738-0607 | | Gear Sprocket Shaft |
| 33 | 736-0722 | | L-Wash. #10 I.D. |
| 34 | 710-0436 | | Hex B-Tap Scr. #10 x .62" |
| 35 | 736-0410 | | Hex Washer .26" x .88"† |
| — | 717-0417B | | Transmission Comp. |

Model 528



PARTS LIST FOR MODEL 528 ROTARY MOWER

| REF. NO. | PART NO. | CODE | DESCRIPTION | REF. NO. | PART NO. | CODE | DESCRIPTION |
|----------|-----------|------|--|----------|-----------|------|---------------------------------|
| 1 | 710-1062 | | Hex Patch Bolt 1/4-20 x 1.25" Lg. | 24 | 17052A | | Idler Brk't. Ass'y.† |
| 2 | 726-0329 | | L-Wash. 1/4" I.D.* | 25 | 712-0138 | | Hex Patch L-Nut 1/4-28 Thd.† |
| 3 | 717-0418A | | Upper Hsg. Half | 26 | 732-0357A | | Extension Spring 1.12" Lg.† |
| 4 | 713-0400 | | #48 Sprocket 7 Tooth x 1/2 Pitch | 27 | 717-0419A | | Lower Hsg. Half |
| 5 | 736-0336 | | Fl-Wash. 5/8" I.D. x .030 | 28 | 741-0415 | | Flange Bearing .56 Dia. |
| 6 | 741-0413 | | Hex Flange Brg. .631" I.D. | 29 | 717-0422 | | 33 Tooth Helical Gear |
| 7 | 16500A | | Hex Bearing Cup | 30 | 741-0414 | | Flange Bearing .629 Dia. |
| 8 | 736-0314 | | Thrust Wash. .382" I.D. x .70" O.D. | 31 | 721-0213 | | Oil Seal .625 Dia. |
| 9 | 741-0479 | | Thrust Bearing .375" I.D. x .812" O.D. | 32 | 738-0607 | | Gear Sprocket Shaft |
| 11 | 717-1216 | | 11 Tooth Helical Gear | 33 | 736-0722 | | L-Wash. #10 I.D. |
| 12 | 748-0208A | | Flange Bearing | 34 | 710-0436 | | Hex B-Tap Scr. #10 x .62" |
| 13 | 721-0212 | | Oil Seal | 35 | 736-0410 | | Hex Washer .26" x .88"† |
| 15 | 756-0330A | | Fl-Pulley 5.06" I.D.† | 36 | 17718 | | Transmission Belt Guard† |
| 16 | 736-0270 | | Bell-Wash. .265" I.D. x .75"† | 37 | 17064 | | Belt Cover |
| 17 | 712-0351 | | Hex Nut 1/4-28 L.H. Thd.† | 38 | 710-0352 | | Hex B-Tap Scr. 1/4 x .38" Lg.† |
| 18 | 738-0440 | | Shld. Spacer .375" Dia. x .170"† | 39 | 710-0599 | | Hex AB-Tap Scr. 1/4 x .50" Lg.† |
| 19 | 736-0344 | | Fl-Wash. .390" I.D. x 1.0"† | 40 | 710-0896 | | Hex B-Tap Scr. 1/4 x .62" Lg. |
| 20 | 738-0826 | | Shld. Bolt .375" Dia. x .40"† | 41 | 712-0287 | | Hex Nut 1/4-20 Thd.*† |
| 21 | 656-0008 | N | Fl-Idler Plastic 1.50" Dia. (Incl. Ref. No. 22)† | 42 | 736-0270 | | Bell-Wash. .265" I.D. x .75"† |
| 22 | 741-0556 | | Needle Brg. .375" x .375"† | 43 | 736-0329 | | L-Wash. 1/4" I.D.*† |
| 23 | 736-0270 | | Bell-Wash. .265" I.D. x .75"† | 44 | 746-0710A | | S.P. Cable—48" Lg.† |
| | | | | 45 | 747-0549 | | S.P. Belt Guard† |
| | | | | — | 717-0417B | | Transmission Comp. |

†Not Part of Transmission Complete

Model 528

**FRONT WHEEL CHART

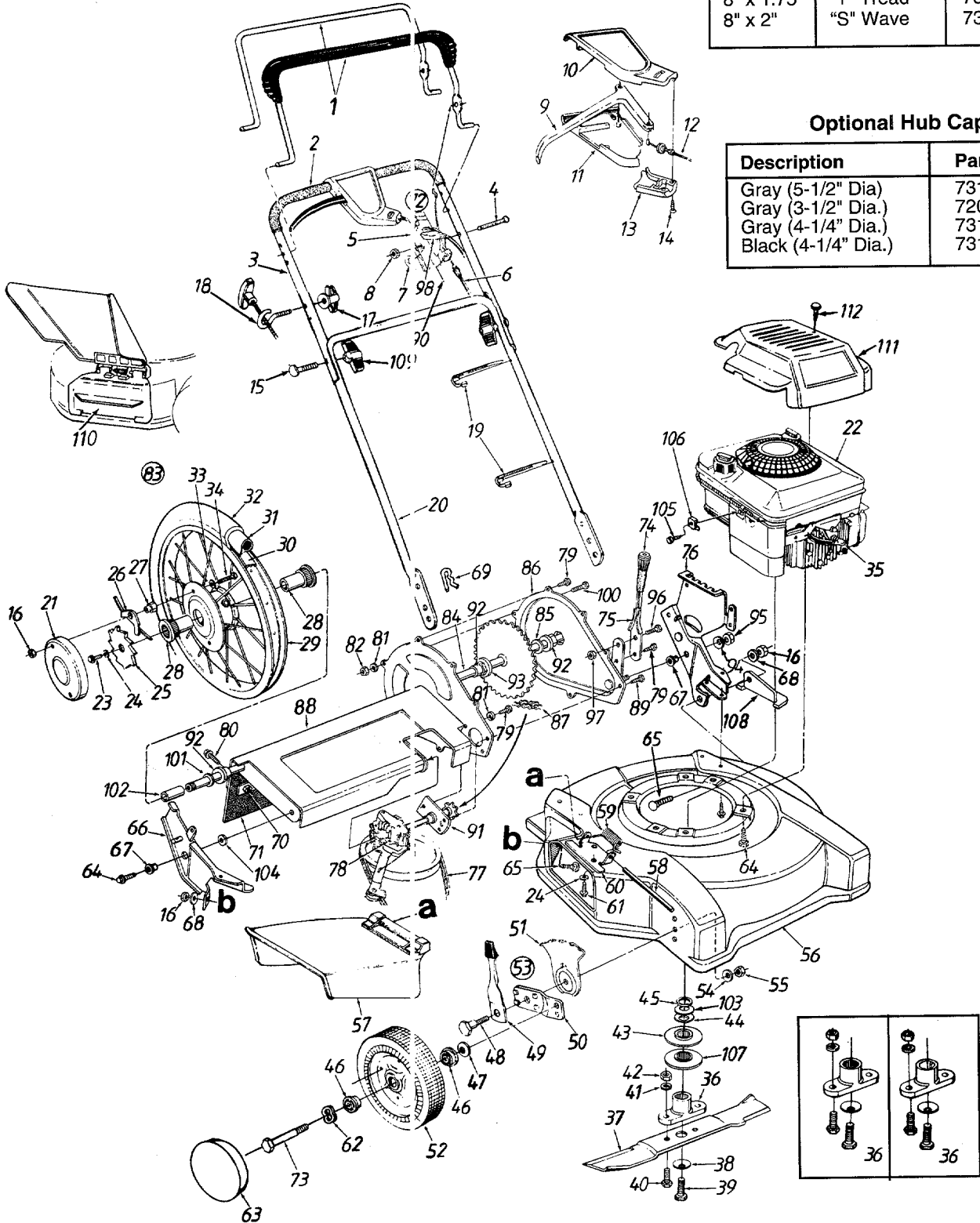
Optional Grass Catcher—Model 190-110-000
 Optional Mulching Kit—Model 190-100-000

| | | |
|---|---|--|
| Bar Tread  | "T" Tread  | "S" Wave Tread  |
|---|---|--|

| Size | Tread Type | Part No. |
|------------|------------|-----------|
| 8" x 1.75" | Bar Tread | 634-0020 |
| 8" x 1.75" | "T" Tread | 734-1268 |
| 8" x 2" | "S" Wave | 734-1512A |

Optional Hub Caps

| Description | Part No. |
|---------------------|-----------|
| Gray (5-1/2" Dia.) | 731-0981A |
| Gray (3-1/2" Dia.) | 720-0249 |
| Gray (4-1/4" Dia.) | 731-0355A |
| Black (4-1/4" Dia.) | 731-0354 |



Model 528

PARTS LIST FOR MODEL 528 ROTARY MOWER

| REF. NO. | PART NO. | CODE | DESCRIPTION | REF. NO. | PART NO. | CODE | DESCRIPTION |
|----------|-----------|------|--|----------|-----------|------|---|
| 1 | 647-0004 | | Control Handle Ass'y. (Deluxe) | 52 | ** | | Wheel Ass'y. Comp. |
| | 747-0824 | | Control Handle Ass'y. (Std.) | 53 | 14578 | | Height Adj. Ass'y. Comp.—R.H. |
| 2 | 720-0225 | | Foam Grip (Optional) | | 14579 | | Height Adj. Ass'y. Comp.—L.H. |
| 3 | 749-0539B | | Upper Handle | | | | (Not Shown) |
| 4 | 710-0605 | | Oval C-Sunk Scr. | 54 | 736-0356 | | Bell-Wash. .39" I.D. x 1.38" |
| 5 | 646-0875 | N | Throttle Body | 55 | 712-0798 | | Hex Nut 3/8-16 Thd.* |
| 6 | 746-0550 | | Control Cable—39" Lg. | 56 | 682-0001A | N | 22" Deck Ass'y. |
| 7 | 736-0501 | | Spring Wash. .66" I.D. | 57 | 731-1034 | | Chute Deflector Ass'y. |
| 8 | 712-0324 | | Hex L-Nut 1/4-20 Thd. | 58 | 747-0710 | | Hinge Pin |
| 9 | 731-0620 | | Control Lever | 59 | 732-0593 | | Torsion Spring |
| 10 | 731-1057 | | Control Cover Half—Upper | 60 | 17032 | | Adapter Plate |
| 11 | 731-1058 | | Control Cover Half—Lower | 61 | 710-0599 | | Hex TT-Tap Scr. 1/4-20 x .5" |
| 12 | 746-0710A | | Self-Propelled Cable—48" Lg. | 62 | 736-0504 | | Wave Wash. .51" I.D. x .78" |
| 13 | 731-1059 | | Cable Mounting Cap | | | | (Used w/Ref. 46) |
| 14 | 710-0841 | | FI-"C" Sunk Hd. Tap Scr. #10 x .75" Lg. | 63 | See Chart | | Hub Cap (Optional) |
| 15 | 710-1174 | | Curved Hd. Bolt 5/16-18 x 2" Lg. | 64 | 710-0654A | | Hex TT-Tap Scr. 3/8-16 x 1" |
| 16 | 712-0267 | | Hex Nut 5/16-18 Thd.* | 65 | 710-0260 | | Carriage Bolt 5/16-18 x .62" Lg. |
| 17 | 720-0279 | N | Handle Knob 1/4-20 Thd. | 66 | 16136B | | Handle Brkt. Ass'y.—R.H. |
| 18 | 710-1205 | | Rope Guide | 67 | 750-0624 | | Shld. Spacer .5" x .10" |
| 19 | 726-0240 | | Cable Tie | 68 | 736-0242 | | Bell-Wash. 5/16" I.D. |
| 20 | 749-0928 | | Lower Handle | 69 | 714-0104 | | Intern. Cotter Pin 5/16" Dia. |
| 21 | 14967 | | Wheel Cover | 70 | 16563A | | Retaining Strip |
| 22 | — | | Engine | 71 | 731-1172 | | Rear Flap |
| 23 | 710-0812 | | Hex Bolt 1/4-20 x .75" Lg. (Gr. 5) | 72 | 811-00185 | | Throttle Box Comp. (Incl. Ref. 4, 5, 7, 8, 98) |
| 24 | 736-0270 | | Bell-Wash. 1/4" I.D. | 73 | 738-0102 | | Front Axle Bolt |
| 25 | 748-0312 | | Wheel Ratchet | 74 | 720-0223 | | Grip |
| 26 | 748-0315 | | Pawl and Spring Ass'y. | 75 | 732-0655 | | Height Adjustment Lever |
| 27 | 712-0329 | | Special Hex Nut 5/16-18 Thd. | 76 | 682-3004 | | Handle Brkt. Ass'y.—L.H. |
| 28 | 741-0485 | | Flange Bearing .63" I.D. | 77 | 754-0369 | | "V" Belt |
| 29 | 734-1399 | | Rim Ass'y. Only 16" x 2.1" | 78 | 717-0417B | | Transmission Comp. |
| 30 | 734-1400 | | Rimstrip 16" x 7/8" | | | | (See Breakdown) |
| 31 | 734-1397 | | Inner Tube 16" x 2.12" | 79 | 710-0352 | | Hex B-Tap Scr. 1/4 x .38" Lg. |
| 32 | 734-1396 | | Chevron Tire 16" x 2.125" | 80 | 710-0776A | | Hex AB-Tap Scr. 1/4 x .62" Lg. |
| 33 | 736-0104 | | Intern. L-Wash. 5/16" I.D. | 81 | 736-0329 | | L-Wash. 1/4" I.D.* |
| 34 | 710-0376 | | Hex Bolt 5/16-18 x 1.0" (Gr. 5) | 82 | 712-0287 | | Hex Nut 1/4-20 Thd.* |
| 35 | 735-0639 | | Spark Plug Boot (Optional) | 83 | 734-1398 | | Wheel Ass'y. Comp. |
| 36 | 753-0485 | | Blade Adapter Kitt | 84 | 713-0425 | | Sprocket and Axle Ass'y. |
| | 753-0484 | | Blade Adapter Kitt†† | 85 | 736-0256 | | FI-Wash. .635" I.D. x 1.0" O.D. |
| 37 | 742-0622 | | 22" Blade | 86 | 682-7501 | | Chaincase and Arm Ass'y. |
| | 742-0722 | | 22" Mulching Blade (Optional) | 87 | 713-0257 | | #48 Chain 1/2" Pitch x 52 Links |
| 38 | 736-0453 | | Bell-Wash. .46" I.D.† | 88 | 682-7500 | | Rear Drive Support Ass'y. |
| | 736-0452 | | Bell-Wash. .39" I.D.†† | 89 | 710-0599 | | Hex Wash. Hd. TT-Tap Scr. 1/4-20 x .5" Lg. |
| 39 | 710-0757 | | Hex Bolt 7/16-20 x 1.5" Lg.† | | | | Throttle Cable |
| | 710-1044 | | Hex Bolt 3/8-24 x 1.5" Lg.†† | 90 | 746-0843 | | Hex Bearing Cup |
| 40 | 710-1055 | | Hex Bolt 3/8-24 x 1" Lg. | 91 | 16500A | | Hex Flange Brg. .631" I.D. |
| 41 | 736-0169 | | L-Wash. 3/8" I.D.* | 92 | 741-0413 | | Spacer .63" I.D. x 1.25" |
| 42 | 712-0241 | | Hex Nut 3/8-24 Thd.* | 93 | 748-0313 | | FI-Wash. .385" I.D. x .87" O.D. |
| 43 | 756-0502 | | Pulley Half (2 Req'd.)† | 94 | 736-0300 | | Hex L-Nut 3/8-24 Thd. |
| | 756-0962 | | Upper Pulley Half†† | 95 | 712-0296 | | Hex Bolt 3/8-16 x .62" Lg. |
| 44 | 736-0450 | | Bell-Wash. 1.01" I.D.† | 96 | 710-0201 | | Flanged L-Nut 3/8-16 Thd. |
| | 736-0514 | | FI-Wash. .88" I.D.†† | 97 | 712-0431 | | Throttle Lever |
| 45 | 748-0332 | | Crankshaft Spacer† | 98 | 746-0876 | | Hex B-Tap Scr. 5/16-18 x .5" |
| | 748-0358 | | Crankshaft Spacer†† | 99 | 710-0603 | | Hex Bolt 1/4-20 x .5" Lg. |
| 46 | 741-0484 | | Ball Bearing 1/2" I.D. (Optional) | 100 | 710-0289 | | FI-Wash. .632" I.D. x .943" |
| 47 | 736-0105 | | Bell-Wash. .38" I.D. | 101 | 736-0302 | | Spacer .628" I.D. x .875" |
| 48 | 738-0507B | | Shld. Bolt .5" | 102 | 750-0547 | | Bell-Wash. 1.01" I.D.† |
| 49 | 14832 | | Spring Lever Ass'y. w/Knob | 103 | 736-0450 | | Spr. Wash. .89" I.D.†† |
| 50 | 15262B | | Pivot Bar | | 736-0513 | | FI-Wash. .38" I.D. x 1" O.D. |
| 51 | 15261A | | Height Adj. Plate | 104 | 736-0258 | | |

Model 528

PARTS LIST FOR MODEL 528 ROTARY MOWER (CONTINUED)

| REF. NO. | PART NO. | CODE | DESCRIPTION | REF. NO. | PART NO. | CODE | DESCRIPTION |
|----------|------------|------|---|----------|------------|------|-----------------------------|
| 105 | 710-1237 | | Wash. Hd. Scr. #10-32 x .62" Lg. (B&S) | 110 | 731-1386A | | Mulching Baffle (Optional) |
| 106 | 751B213146 | N | Casing Clamp (B&S) | 111 | 751B281191 | N | XTE Black Shroud (Optional) |
| 107 | 756-0961 | | Lower Pulley Half†† | | 751B281295 | N | XTE Red Shroud (Optional) |
| 108 | 784-9014 | | Deck Bracket | | 731-1396 | | Black Shroud (Optional) |
| 109 | 720-0276 | | Hand Knob | 112 | 710-1256 | | Hi-Lo Scr. #10 x 1.25" Lg. |

† Used with Splined Crankshaft

†† Used with Keyed Crankshaft.