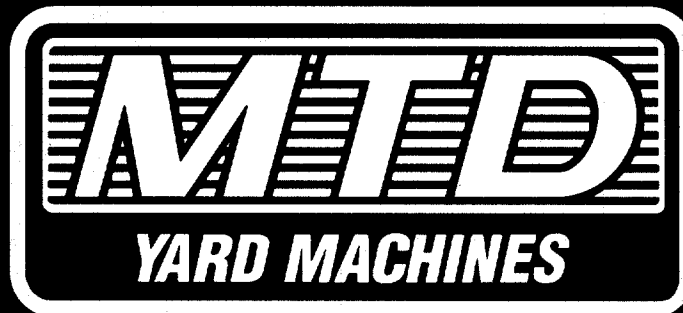


# ILLUSTRATED PARTS

AMERICAN  AMERICAN  
M A D E O W N E D  
OUTDOOR POWER EQUIPMENT



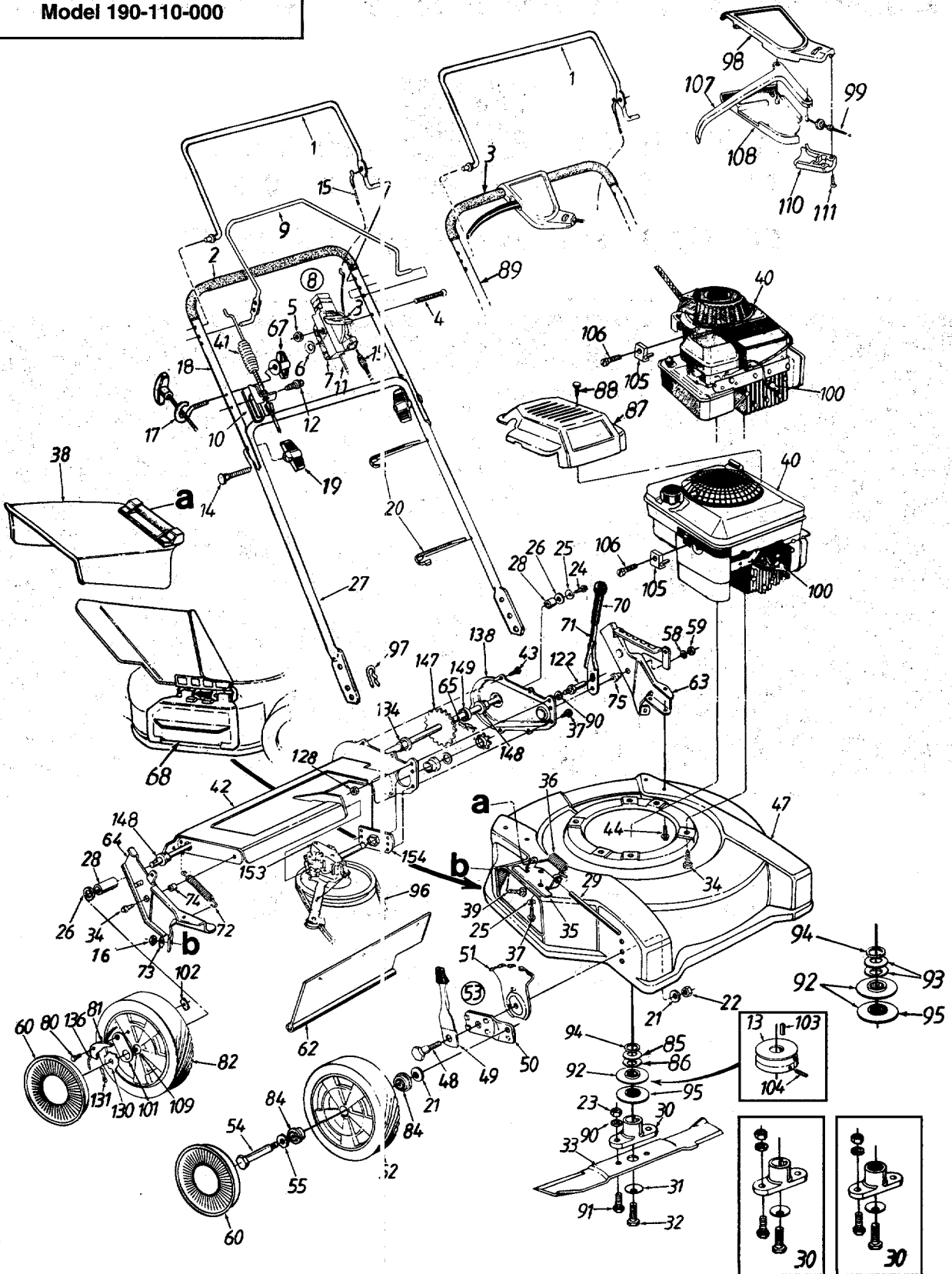
## 1994

## SELF-PROPELLED MOWERS

Model Number	Pages
124-232A000 thru 124-238H000 .....	2-5
124-265D000 .....	6-8
124-280B000 thru 124-281C000 .....	9-11

# Models 232 thru 238

Optional Grass Catcher Available  
Model 190-110-000



# Models 232 thru 238

## PARTS LIST FOR MODELS 232 THRU 238 ROTARY MOWERS

REF. NO.	PART NO.	CODE	DESCRIPTION	REF. NO.	PART NO.	CODE	DESCRIPTION
1	747-0824		Control Handle Ass'y. (Std.)	49	14832		Spring Lever Ass'y. w/Knob
2	720-0225		Foam Grip (2 Req'd.) (Optional)	50	15262B		Pivot Bar
3	746-0876		Throttle Lever	51	15261A		Height Adj. Plate
4	710-0605		Oval C-Sunk Scr.	52	**		Wheel Ass'y. Comp.
5	712-0324		Hex L-Nut 1/4-20 Thd.	53	14578		Height Adj. Ass'y. Comp.—R.H.
6	736-0501		Spr. Wash. .66" I.D.		14579		Height Adj. Ass'y. Comp.—L.H.
7	646-0875	N	Throttle Body	54	738-0102		Shld. Bolt .498" Dia. x 1.45"
8	811-00185		Throttle Box Comp. (Incl. Ref. 3, 4, 5, 6, 7)	55	736-0504		Wave Wash. .51" I.D. x .78"
9	747-0854		S.P. Bail Ass'y.	58	736-0300		Fl-Wash. .385" I.D. x .87"
10	16309A		Cable Bracket	59	712-0296		Hex Patch L-Nut 3/8-24 Thd.
11	746-0843		Throttle Cable 55" Lg. (B&S)	60	**		Hub Cap
	746-0847		Throttle Cable 42" Lg. (Tec.)	62	731-1483	N	Rear Flap
12	710-0726		Hex Wash. AB-Tap Scr. 5/16 x .75" Lg.	63	16137B		L.H. Handle Wheel Brkt. Ass'y.
				64	16136B		R.H. Handle Wheel Brkt. Ass'y.
13	756-0554		Keyed Pulley (232)	65	713-0353		#48 Chain .5" Pitch x 30 Links
14	710-1174		Curved Hd. Bolt 5/16-18 x 2"	67	720-0279	N	Handle Knob 1/4-20 Thd.
15	746-0550		Control Cable 39" Lg. (B&S)	68	731-1386A		Mulching Baffle (Optional)††
	746-0737		Control Cable 51" Lg. (Tec.)	70	720-0223		Grip
16	736-0119		L-Wash. 5/16" I.D.*	71	732-0606		Height Adj. Lever
17	710-1205		Rope Guide	72	732-0481		Ext. Spring .5" O.D. x 3.8" Lg.
18	749-0538C		Upper Handle (Dual Bail)	73	736-0242		Bell-Wash. 5/16" I.D.
19	720-0276		Hand Knob	74	750-0736		Spacer .383" I.D. x .503"
20	726-0240		Cable Tie	75	750-0624		Shld. Spacer .5" Dia.
21	736-0105		Bell-Wash. .38" I.D. x .88"	80	738-0137		Shld. Scr. .342" Dia. x .268"
22	712-0798		Hex Nut 3/8-16 Thd.*	81	748-0188B		Pawl
23	712-0241		Hex Nut 3/8-24 Thd.*	82	**		Wheel Ass'y. Comp.
24	710-0751		Hex Bolt 1/4-20 x .62" Lg. (Grade 5)	84	**		Bearing
				85	736-0513		Spr. Wash. .89" I.D. (Keyed)
25	736-0270		Bell-Wash. 1/4" I.D.	86	736-0514		Fl-Wash. .885" I.D. (Keyed)
26	736-0160		Fl-Wash. .531" I.D. x .93"	87	751B281191		XTE Engine Shroud (Black—Optional)
27	749-0928		Lower Handle		751B281295		XTE Engine Shroud (Red—Optional)
28	748-0190		Spacer .513" I.D. x .703"		731-1396		Engine Shroud (Black—Optional)
29	747-0710		Hinge Pin	88	710-1256		Hi-Lo Scr. #8-18 x 1.25" Lg.
30	753-0484		Blade Adapter Kit (Keyed)	89	749-0539B		Upper Handle (Single Bail)
	753-0485		Blade Adapter Kit (Splined)	90	736-0169		L-Wash. 3/8" I.D.*
31	736-0452		Bell-Wash. .39" I.D. (Keyed)	91	710-1055		Hex Bolt 3/8-24 x 1.0" Lg.
	736-0453		Bell-Wash. .46" I.D. (Splined)	92	756-0502		Splined Pulley Half (2 Req'd.)
32	710-1044		Hex Bolt 3/8-24 x 1.5" Lg. (Keyed)	93	756-0962		Upper Pulley Half (Keyed)
	710-0757		Hex Bolt 7/16-20 x 1.5" Lg. (Splined)		736-0450		Bell-Wash. 1.01" I.D. (Used w/Splined Adapter)
33	742-0622		22" Blade	94	748-0332		Crankshaft Spacer (Splined)
	742-0722		Mulching Blade (Optional)††		748-0358		Crankshaft Spacer (Keyed)
34	710-0654A		Hex L-Wash. Hd. Scr. 3/8-16 x 1.0" Lg.	95	756-0961		Lower Pulley Half (Keyed)
				96	754-0369		"V"-Belt
35	17032		Adapter Plate	97	714-0104		Hairpin Clip
36	732-0593		Torsion Spring	98	731-1057		Control Cover—Upper Half
37	710-0599		Hex Self-Tap Scr. 1/4-20 x .5"	99	746-0710A		S.P. Cable (Single Bail)
38	731-1034		Chute Deflector Ass'y.	100	735-0639		Spark Plug Boot
39	710-0260		Carriage Bolt 5/16-18 x .62" Lg.	101	16855		Pawl Plate
40	—		Engine	102	712-0414		Weld L-Nut 1/4-20 Thd.
41	746-0594		Drive Cable—41.5" Lg. (Dual Bail)	103	714-0122		Sq. Key 3/16" x 3/4" Lg. (232)
42	17055B		Chain—Axle Ass'y.	104	710-0497		Set Scr. #10-32 x .25" Lg. (232)
43	710-0352		Hex B-Tap Scr. 1/4 x .38" Lg.	105	751B213146	N	Cable Clamp (B&S)
44	710-0603		Hex Wash. Hd. B-Tap Scr. 5/16-18	106	710-1237		Hex Wash. Hd. Scr. #10-32 x .62" Lg. (B&S)
45	710-0776A		Hex AB-Tap Scr. 1/4 x .62"	107	731-0620		Control Lever
47	682-0001A	N	22" Deck Ass'y.	108	731-1058		Control Cover—Lower Half
48	738-0507B		Shld. Bolt .5" Dia. x .357	109	741-0486B		Sleeve Brg. 1/2" I.D.

# Models 232 thru 238

## PARTS LIST FOR MODELS 232 THRU 238 ROTARY MOWERS (CONTINUED)

REF. NO.	PART NO.	CODE	DESCRIPTION	REF. NO.	PART NO.	CODE	DESCRIPTION
110	731-1059		Mounting Cap	136	10622B		Spring—Nylon
111	710-0841		Fl-"C"-Sunk Hd. Tap Scr. #10 x .75" Lg.	138	17053A		Chain Cover
122	711-0805		Shld. Pin 3/8-24 x 1.43" Lg.	147	738-0719A		Rear Shaft Ass'y. 21.94" Lg.
128	712-0711		Hex Jam Nut 3/8-24 Thd.	148	741-0324		Hex Flange Bearing
130	748-0318		Ratchet Wheel 1.62" O.D.	149	736-0160		Fl-Wash. .531" I.D. x .93"
131	714-0115		Cotter Pin 1/8" Dia.	153	717-0417B		Transmission Comp (See Breakdown)
134	741-0522		Hex Flange Bearing	154	16500A		Hex Bearing Cup

\*For faster service obtain standard nuts, bolts and washers locally. If these items cannot be obtained locally, order by part number and size as shown on parts list.

††Part of Optional Mulching Kit—Model 190-100-000.

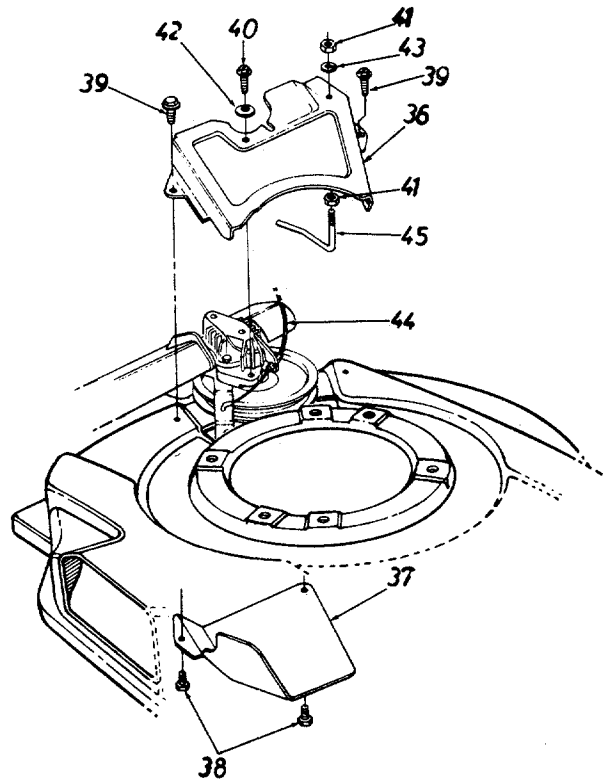
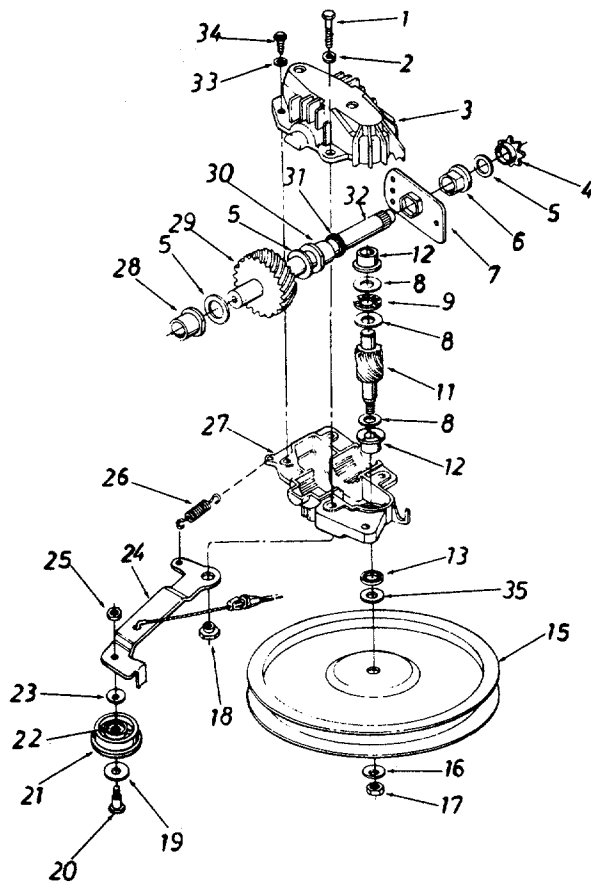
### \*\*WHEEL CHART

Size	Tread Type	Front Wheels		Rear Wheels	
		Part No.	Bearings	Part No.	Bearings
8" x 1.75"	Bar Tread	634-0020	—	634-0020	—
8" x 2"	"S" Wave	734-1512A	—		
8" x 2"	"S" Wave	734-1513B	741-0484 Ball Brg.	734-1510B	741-0486B Sleeve Brg.

### \*\*Optional Hub Caps

Description	Part No.
Gray (3-1/2" Dia.)	720-0249
Gray (5-1/2" Dia.)	731-0981A

# Models 232 thru 238



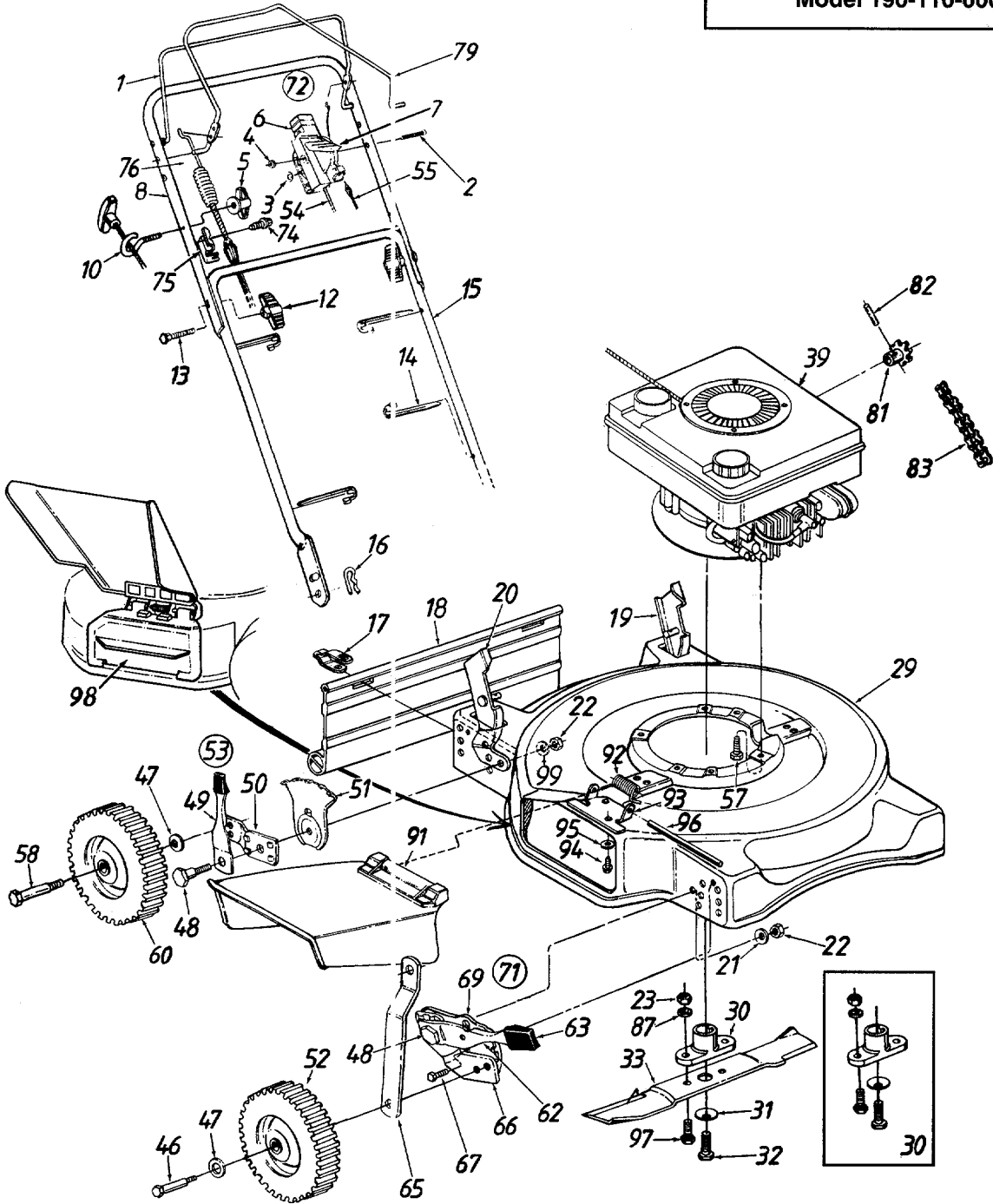
## PARTS LIST FOR MODELS 232 THRU 238 ROTARY MOWERS

REF. NO.	PART NO.	CODE	DESCRIPTION	REF. NO.	PART NO.	CODE	DESCRIPTION
1	710-0106		Hex Bolt 1/4-20 x 1.25" Lg.*	24	17052A		Idler Brk't. Ass'y.†
2	726-0329		L-Wash. 1/4" I.D.*	25	712-0138		Hex Patch L-Nut 1/4-28 Thd.†
3	717-0418A		Upper Hsg. Half	26	732-0357A		Extension Spring 1.12" Lg.†
4	713-0400		#48 Sprocket 7 Tooth x 1/2 Pitch	27	717-0419A		Lower Hsg. Half
5	736-0336		Fl-Flange 5/8" I.D. x .030	28	741-0415		Flange Bearing .56 Dia.
6	741-0413		Hex Flange Brg. .631" I.D.	29	717-0422A		33 Tooth Helical Gear
7	16500A		Hex Bearing Cup	30	741-0414		Flange Bearing .629 Dia.
8	736-0314		Thrust Wash. .382" I.D. x .70" O.D.	31	721-0213		Oil Seal .625 Dia.
9	741-0479		Thrust Bearing .375" I.D. x .812" O.D.	32	738-0607A		Gear Sprocket Shaft
11	717-1216		11 Tooth Helical Gear	33	736-0722		L-Wash. #10 I.D.
12	748-0208A		Flange Bearing	34	710-0436		Hex B-Tap Scr. #10 x .62"
13	721-0212		Oil Seal	35	736-0410		Hex Washer .26" x .88"†
15	756-0330A		FI-Pulley 5.06" I.D.†	36	17718		Transmission Belt Guard†
16	736-0270		Bell-Wash. .265" I.D. x .75"†	37	17064		Belt Cover
17	712-0351		Hex Nut 1/4-28 L.H. Thd.†	38	710-0352		Hex B-Tap Scr. 1/4 x .38" Lg.†
18	738-0440		Shld. Spacer .375" Dia. x .170"†	39	710-0599		Hex AB-Tap Scr. 1/4 x .50" Lg.†
19	736-0344		FI-Wash. .390" I.D. x 1.0"†	40	710-0896		Hex B-Tap Scr. 1/4 x .62" Lg.
20	738-0826		Shld. Bolt .375" Dia. x .40"†	41	712-0287		Hex Nut 1/4-20 Thd.*†
21	656-0008	N	FI-Idler Plastic 1.50" Dia. (Incl. Ref. 22)†	42	736-0270		Bell-Wash. .265" I.D. x .75"†
22	741-0556		Needle Brg. .375" x .375"†	43	736-0329		L-Wash. 1/4" I.D.*†
23	736-0270		Bell-Wash. .265" I.D. x .75"†	44	746-0710A		S.P. Cable—48" Lg.†
				45	747-0549		S.P. Belt Guard†
				—	717-0417B		Transmission Comp.

†Not Part of Transmission Complete

# Model 265

Optional Grass Catcher Available  
Model 190-110-000



# Model 265

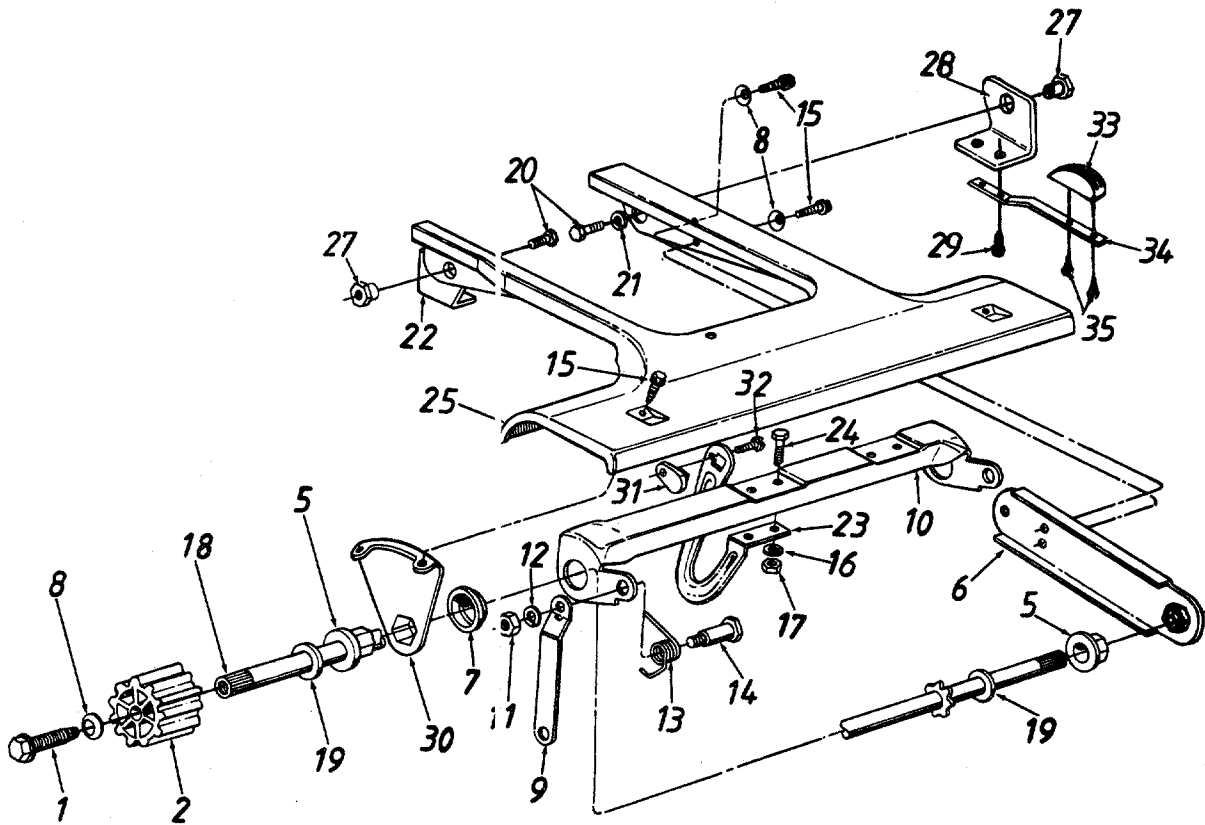
## PARTS LIST FOR MODEL 265 ROTARY MOWER

REF. NO.	PART NO.	CODE	DESCRIPTION	REF. NO.	PART NO.	CODE	DESCRIPTION
1	747-0824		Control Handle	55	746-0737		Control Cable—51"
2	710-0602		Oval C-Sunk Mach. Scr.	57	710-0654A		Hex L-Wash. Hd. Scr. 3/8-16 x 1.0" Lg.
3	736-0501		Spr. Wash. .66" I.D.				Rear Axle Bolt
4	712-0324		Hex L-Nut 1/4-20 Thd.	58	738-0102		Rear Wheel Ass'y. Comp.
5	720-0279		Handle Knob 1/4-20 Thd.	60	734-1174A		Spring Lever
6	646-0875	N	Throttle Body	62	732-0417A		Spring Lever Knob
7	746-0876		Throttle Lever	63	720-0190		FI-Wash. .531" I.D. x .93"
8	749-0824		Upper Handle	64	736-0192		Link 5.3" Lg.
10	710-1205		Rope Guide	65	16532B		Pivot Bar <del>FR</del> LH
12	720-0276		Hand Knob	66	14765		Pivot Bar <del>FR</del> (Not Shown) RH
13	710-1174		Curved Hd. Bolt 5/16-18 x 2" Lg.		14766		Hex AB-Tap 1/4-.62" Lg.
14	726-0240		Cable Tie	67	710-0892		Index Plate LH
15	749-0928		Lower Handle	69	14764C		Front Height Adj. Ass'y.— <del>FR</del> LH
16	714-0104		Hairpin Cotter	71	16106		Front Height Adj. Ass'y.— <del>FR</del> LH
17	17098		Hinge Clip		16107		(Not Shown) RH
18	731-1029		Rear Flap				Throttle Box Comp. (Incl. Ref. 2, 3, 4, 6, 7)
19	17189B		Handle Bracket Ass'y.—L.H.	72	811-00185		Hex Wash. AB-Tap Scr. 5/16 x .75" Lg.
20	17188B		Handle Bracket Ass'y.—R.H.				Cable Brkt.
21	736-0105		Bell-Wash. .39" I.D. x 1.38"	74	710-0726		Clutch Cable w/Spring—47"
22	712-0798		Hex Nut 3/8-16 Thd.*				S.P. Bail Ass'y.
23	712-0241		Hex Nut 3/8-24 Thd.	75	16309A		10 Tooth Sprocket Ass'y.
29	17046		22" Deck Ass'y.	76	746-0626		Spring Pin Spir. 3/16" Dia. x 1" Lg.
30	753-0484		Blade Adapter Kit	79	747-0854		#48 Chain 1/2" Pitch 50 Links (Endless)
31	736-0452		Bell-Wash. .39" I.D.	81	713-0308		L-Wash. 3/8" I.D.*
32	710-1044		Hex Bolt 3/8-24 x 1.5" Lg.	82	715-0247		Chute Deflector Ass'y.
33	742-0622		22" Blade				Torsion Spring
	742-0722		22" Mulching Blade (Optional)††	83	713-0311		Adapter Plate
39	—		Engine				Hex Self-Tap Scr. 1/4-20 x .5" Lg.
46	738-0144		Front Axle Bolt	87	736-0169		Bell-Wash. 1/4" I.D.
47	736-0105		Bell-Wash. .400" I.D. x .88"	91	731-1034		Hinge Pin
48	738-0507B		Shld. Bolt .50" Dia. x .357"	92	732-0593		Hex Bolt 3/8-24 x 1" Lg.
49	14832		Spring Lever Ass'y. w/Knob	93	17032		Mulching Plug (Optional)††
50	15262B		Pivot Bar	94	710-0599		Bell-Wash. .39" I.D. x 1.38" O.D.
51	15261A		Height Adj. Plate	95	736-0270		
52	734-1174A		Front Wheel Ass'y. Comp. LH	96	747-0710		
53	14578		Height Adj. Ass'y. Comp.— <del>FR</del> LH	97	710-1055		
	14579		Height Adj. Ass'y. Comp.— <del>FR</del> LH (Not Shown)	98	731-1386A		
54	746-0845		Throttle Control Wire—45"	99	736-0356		

\*For faster service obtain standard nuts, bolts and washers locally. If these items cannot be obtained locally, order by part number and size as shown on parts list.

††Part of Optional Mulching Kit—Model 190-100-000.

# Model 265



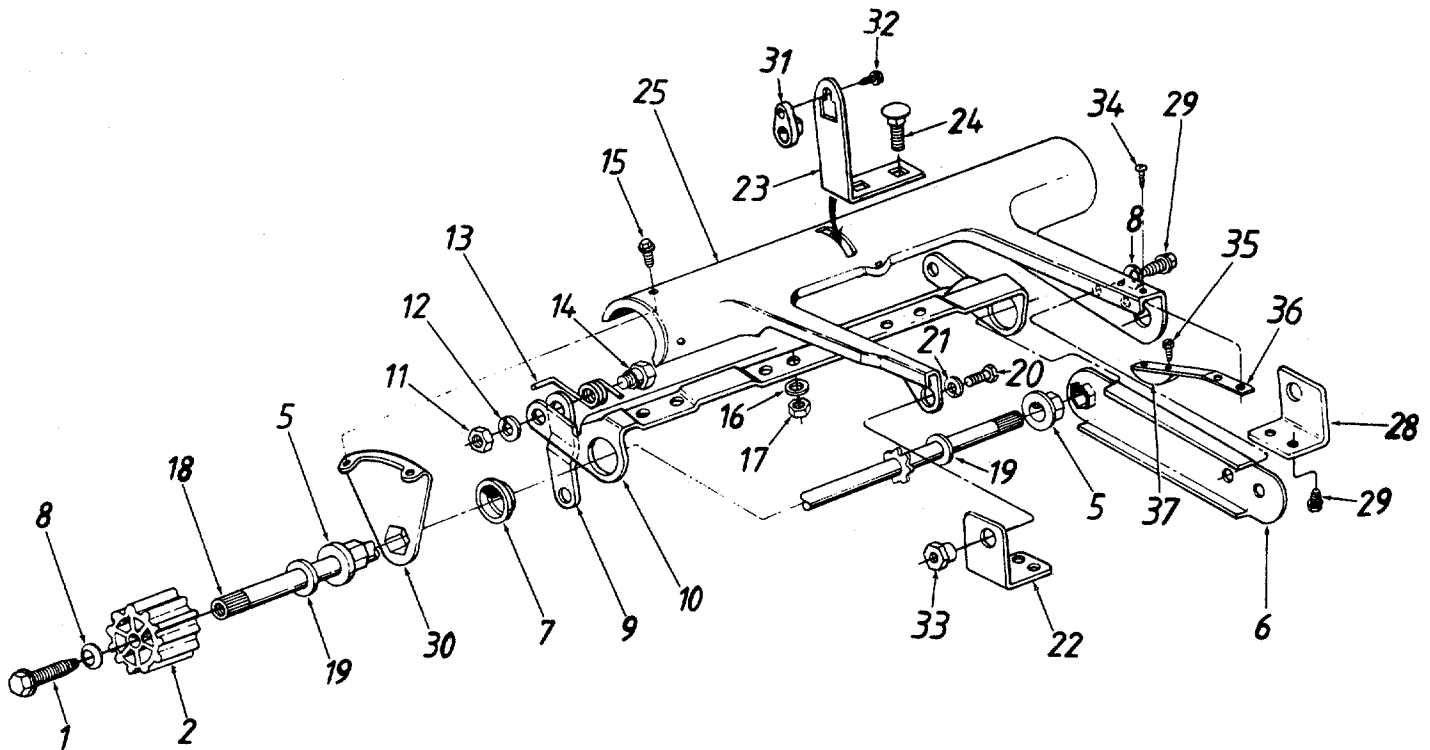
## PARTS LIST FOR MODEL 265 ROTARY MOWER

REF. NO.	PART NO.	CODE	DESCRIPTION	REF. NO.	PART NO.	CODE	DESCRIPTION
1	710-1115		Hex Scr. 1/4-20 x .75" Lg. (Gr. 5)	18	738-0732		Drive Shaft Ass'y.
2	731-0908		Wheel Drive Pinion	19	736-0160		Fl-Wash. .531" I.D. x .93" O.D.
5	741-0503		Hex Flange Brg. .504" I.D.	20	710-0168		Hex Bolt 3/8-16 x .5" Lg.
6	17018		Hex Bearing Support	21	736-0169		L-Wash. 3/8" I.D.*
7	741-0504		Flange Bearing .879" I.D.	22	17616		Pivot Bracket—R.H.
8	736-0270		Bell-Wash. .265" I.D. x .75" O.D.	23	17185		Engagement Arm
9	16532B		Link 5.06" Lg.	24	710-0258		Hex Bolt 1/4-20 x .62" Lg.
10	16832		Drive Engagement Cam	25	17725		Front Pinion Pivot Cover
11	712-0267		Hex Nut 5/16-18 Thd.*	27	738-0529		Shld. Nut .625" Dia. x .165"
12	736-0119		L-Wash. 5/16" I.D.*	28	17617		Pivot Bracket—L.H.
13	732-0569A		Torsion Spring—R.H.	29	710-0892		Hex Wash. Hd. AB-Tap Scr.
	732-0570A		Torsion Spring—L.H. (Not Shown)	30	17017		1/4 x .62" Lg.
14	738-0754		Shoulder Bolt .437" Dia.	31	746-0606		Hex Bearing Axle Brkt.
15	710-0892		Hex Wash. Hd. AB-Tap Scr. 1/4 x .62" Lg.	32	710-0919		Barrel Cable Hold-Down—R.H.
16	736-0329		L-Wash. 1/4" I.D.*	33	731-1136		Hex B-Tap Scr. #10 x .44" Lg.
17	712-0287		Hex Nut 1/4-20 Thd.*	34	732-0635		Chain Tensioner
				35	710-0429		Cantilever Spring
							Hex B-Tap Scr. #10 x .38" Lg.

\*For faster service obtain standard nuts, bolts and washers locally.  
If these items cannot be obtained locally, order by part number and size as shown on parts list.



# Models 280 and 281



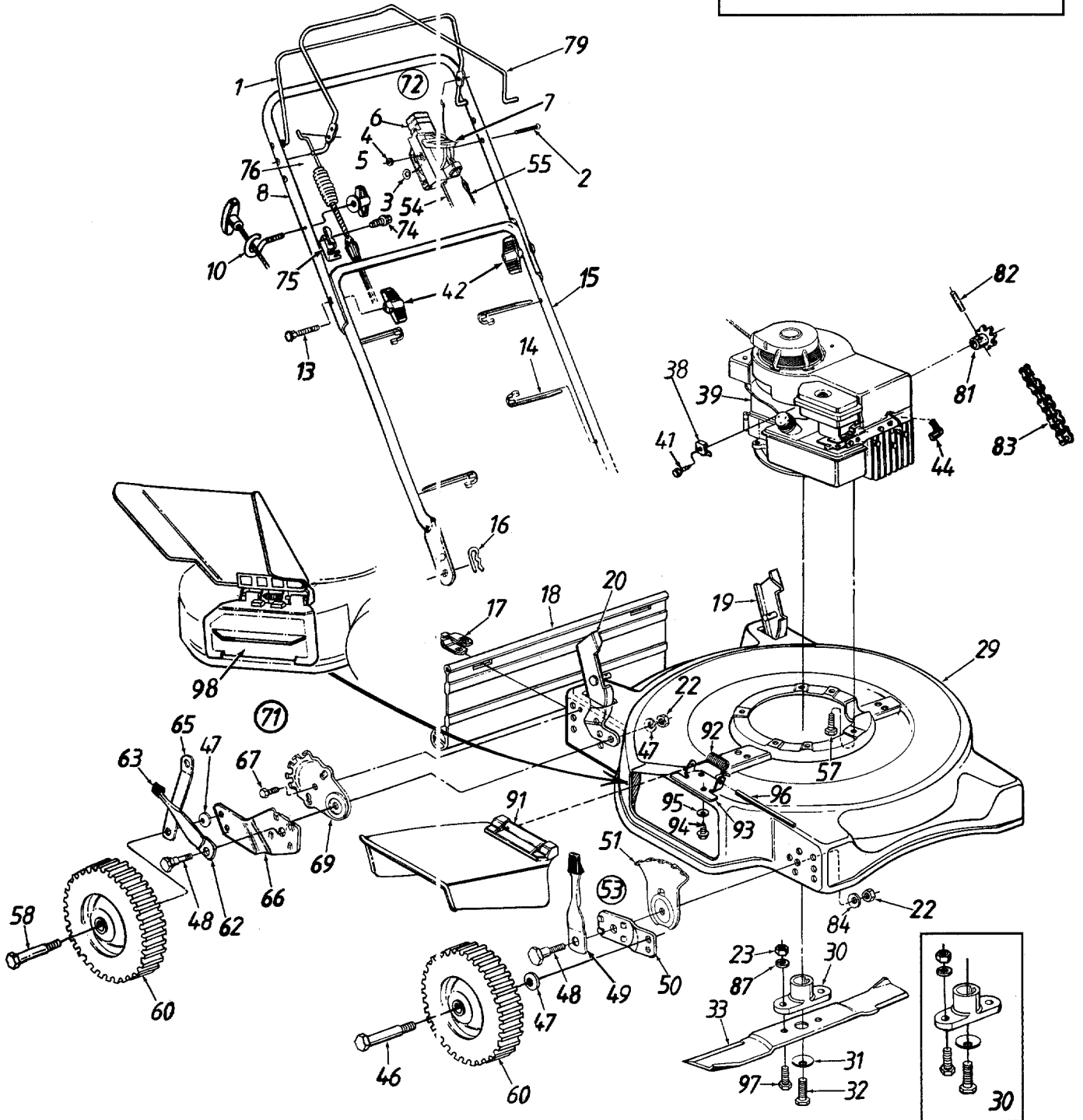
**PARTS LIST FOR MODELS 280 AND 281 ROTARY MOWERS**

REF. NO.	PART NO.	CODE	DESCRIPTION	REF. NO.	PART NO.	CODE	DESCRIPTION
1	710-1115		Hex Scr. 1/4-20 x .75" Lg. (Gr. 5)	20	710-0168		Hex Bolt 3/8-16 x .5" Lg.*
2	731-0908		Wheel Drive Pinion	21	736-0169		L-Wash. 3/8" I.D.
5	741-0503		Hex Flange Brg. .504" I.D.	22	17614		Pivot Bracket—R.H. (B&S)
6	17018		Hex Bearing Support		17616		Pivot Bracket—R.H. (Tec.)
7	741-0504		Flange Bearing .879" I.D.	23	16756		Engagement Arm—L.H.
8	736-0270		Bell-Wash. .265" I.D. x .75" O.D.	24	710-0258		Hex Bolt 1/4-20 x .62" Lg.
9	14760A		Link 4.58" Lg.	25	17726		Rear Pinion Pivot Cover
10	16832		Drive Engagement Cam	28	17613		Pivot Bracket—L.H. (B&S)
11	712-0267		Hex Nut 5/16-18 Thd.*		17617		Pivot Bracket—L.H. (Tec.)
12	736-0119		L-Wash. 5/16" I.D.*	29	710-0892		Hex Wash. Hd. AB-Tap Scr. 1/4 x .62" Lg.
13	732-0569A		Torsion Spring—R.H.	30	17017		Hex Bearing Axle Brkt.
	732-0570A		Torsion Spring—L.H. (Not Shown)	31	746-0606		Barrel Cable Hold-Down—R.H.
14	738-0754		Shoulder Bolt .437" Dia.	32	710-0919		Hex B-Tap Scr. #10 x .44" Lg.
15	710-0892		Hex L-Hd. AB-Tap Scr. 1/4" x .62" Lg.	33	738-0529		Shld. Nut .625" Dia. x .165" Lg.
16	736-0329		L-Wash. 1/4" I.D.*	34	710-0351		Truss Mach. B-Tap Scr. #10 x .5" Lg.
17	712-0287		Hex Nut 1/4-20 Thd.*	35	710-0429		Hex B-Tap Scr. #10 x 3/8" Lg.
18	738-0732		Drive Shaft Ass'y.	36	732-0634		Cantilever Spring
19	736-0160		FI-Wash. .531" I.D. x .93" O.D.	37	731-1136		Chain Tensioner

\*For faster service obtain standard nuts, bolts and washers locally.  
If these items cannot be obtained locally, order by part number  
and size as shown on parts list.

# Models 280 and 281

Optional Grass Catcher Available  
Model 190-110-000



# Models 280 and 281

## PARTS LIST FOR MODELS 280 AND 281 ROTARY MOWERS

REF. NO.	PART NO.	CODE	DESCRIPTION	REF. NO.	PART NO.	CODE	DESCRIPTION
1	747-0824		Control Handle	55	746-0550		Control Cable—39" (B&S)
2	710-0602		Oval C-Sunk Mach. Scr.		746-0737		Control Cable—51" Lg. (Tec.)
3	736-0501		Spr. Wash. .66" I.D.	57	710-0654A		Hex L-Wash. Hd. Scr. 3/8-16
4	712-0324		Hex L-Nut 1/4-20 Thd.*				x 1.0" Lg.
5	720-0279	N	Handle Knob 1/4-20 Thd.	58	738-0144		Rear Axle Bolt
6	646-0875	N	Throttle Body	60	734-1174A		Wheel Ass'y. Comp.
7	746-0876		Throttle Lever	62	732-0417A		Spring Lever
8	749-0538C		Upper Handle	63	720-0190		Spring Lever Knob
10	710-1205		Rope Guide	65	14760A		Link 4.58" Lg.
13	710-1174		Curved Hd. Bolt 5/16-18 x 2" Lg.	66	14765		Pivot Bar R.H.
14	726-0240		Cable Tie		14766		Pivot Bar L.H. (Not Shown)
15	749-0928	N	Lower Handle	67	710-0892		Hex AB-Tap 1/4-.62" Lg.
16	714-0104		Hairpin Cotter	69	14764C		Index Plate
17	17098		Hinge Clip	71	16106		Rear Height Adj. Ass'y.—R.H.
18	731-1029		Rear Flap		16107		Rear Height Adj. Ass'y.—L.H.
19	17189B		Handle Bracket Ass'y.—L.H.				(Not Shown)
20	17188B		Handle Bracket Ass'y.—R.H.	72	811-00185		Throttle Box Comp. (Incl. Ref. 2,
22	712-0798		Hex Nut 3/8-16 Thd.*				3, 4, 6, 7)
23	712-0241		Hex Nut 3/8-24 Thd.	74	710-0726		Hex Wash. AB-Tap Scr. 5/16
29	17046		22" Deck Ass'y.				x .75" Lg.
30	753-0484		Blade Adapter Kit	75	16309A		Cable Brkt.
31	736-0452		Bell-Wash. .39" I.D.	76	746-0629		Clutch Cable
32	710-1044		Hex Bolt 3/8-24 x 1.5" Lg.	79	747-0854		S.P. Bail Ass'y.
33	742-0622		22" Blade	81	713-0308		10 Tooth Sprocket Ass'y.
	742-0722		22" Mulching Blade (Optional)††	82	715-0247		Spring Pin Spir. 3/16" Dia. x
38	751B213146	N	Cable Clamp (B&S)				1" Lg.
39	—		Engine	83	713-0311		#48 Chain 1/2" Pitch 50 Links
41	710-1237		Hex Wash. Hd. Scr. #10-32 x				(Endless)
			.62" Lg. (B&S)	84	736-0356		Bell-Wash. .39" I.D. x 1.38"
42	720-0276		Hand Knob	87	736-0169		L-Wash. 3/8" I.D.*
44	735-0639		Spark Plug Boot (Optional)	91	731-1034		Chute Deflector Ass'y.
46	738-0102		Front Axle Bolt	92	732-0593		Torsion Spring
47	736-0105		Bell-Wash. .400" I.D. x .88"	93	17032		Adapter Plate
48	738-0507B		Shld. Bolt .50" Dia. x .357"	94	710-0599		Hex Self-Tap Scr. 1/4-20 x .5"
49	14832		Spring Lever Ass'y. w/Knob				Lg.
50	15262B		Pivot Bar	95	736-0270		Bell-Wash. 1/4" I.D.
51	15261A		Height Adj. Plate	96	747-0710		Hinge Pin
53	14578		Height Adj. Ass'y. Comp.—R.H.	97	710-1055		Hex Bolt 3/8-24 x 1" Lg.
	14579		Height Adj. Ass'y. Comp.—L.H.	98	731-1386A		Mulching Plug (Optional)††
			(Not Shown)				
54	746-0842		Throttle Control Wire—51" Lg.				
			(B&S)				
	746-0845		Throttle Control Wire—45" Lg.				
			(Tec.)				

††Part of Optional Mulching Kit—Model 190-100-000.