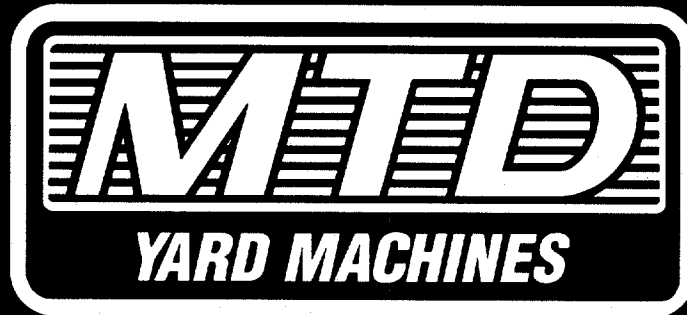


# ILLUSTRATED PARTS

AMERICAN  AMERICAN  
M A D E O W N E D  
OUTDOOR POWER EQUIPMENT



## 1994

## SELF-PROPELLED MOWERS

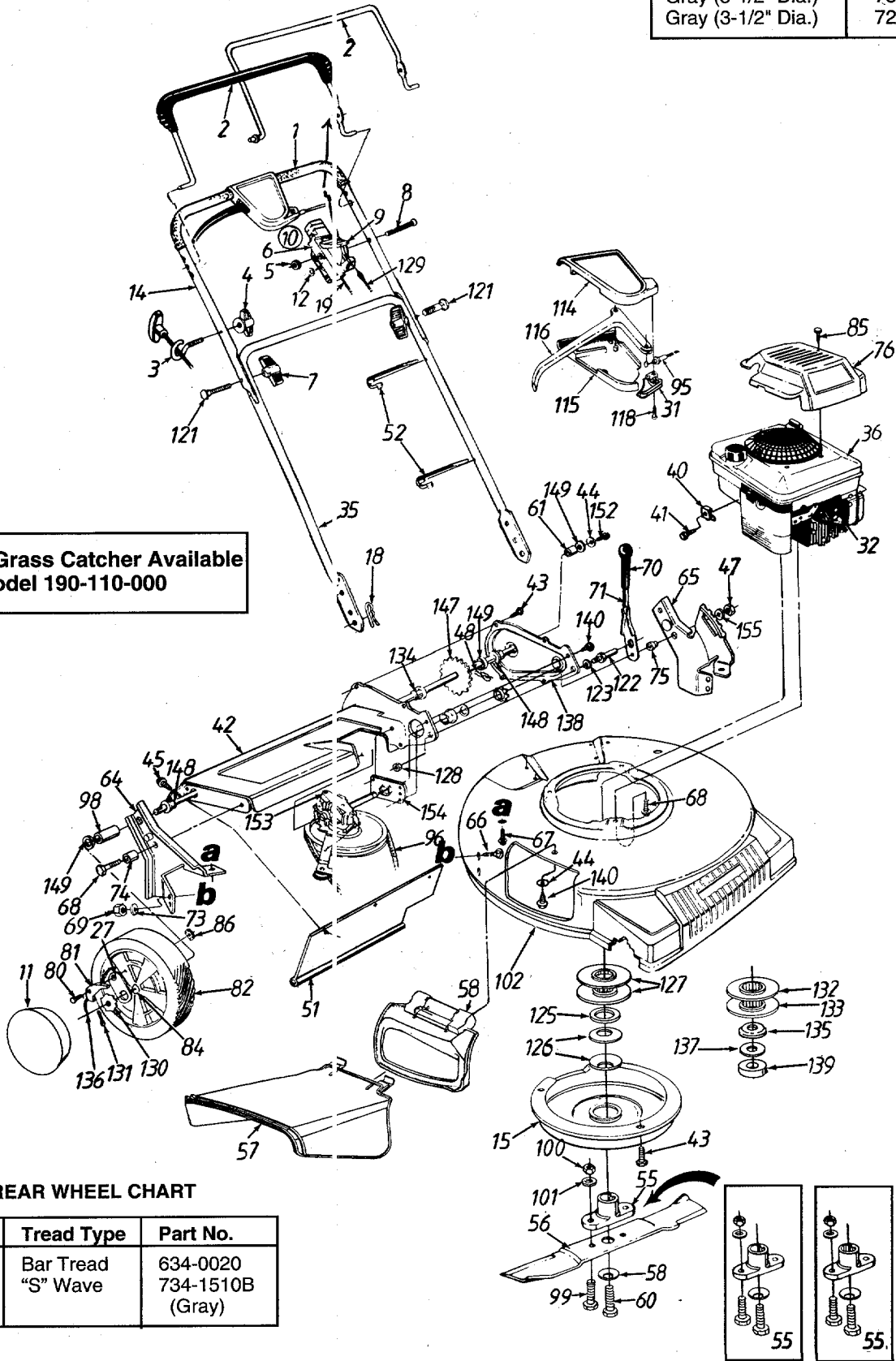
Model Number	Pages
124-137C000 thru 124-138F000 .....	2-4
124-146D000 and 124-148N000 .....	5-7
124-147B000 .....	8-10

# Models 137 and 138

†Optional Hub Caps

Description	Part No.
Gray (5-1/2" Dia.)	731-0981A
Gray (3-1/2" Dia.)	720-0249

Optional Grass Catcher Available  
Model 190-110-000



## \*\*REAR WHEEL CHART

Size	Tread Type	Part No.
8" x 1.75"	Bar Tread	634-0020
8" x 2"	"S" Wave	734-1510B (Gray)

# Models 137 and 138

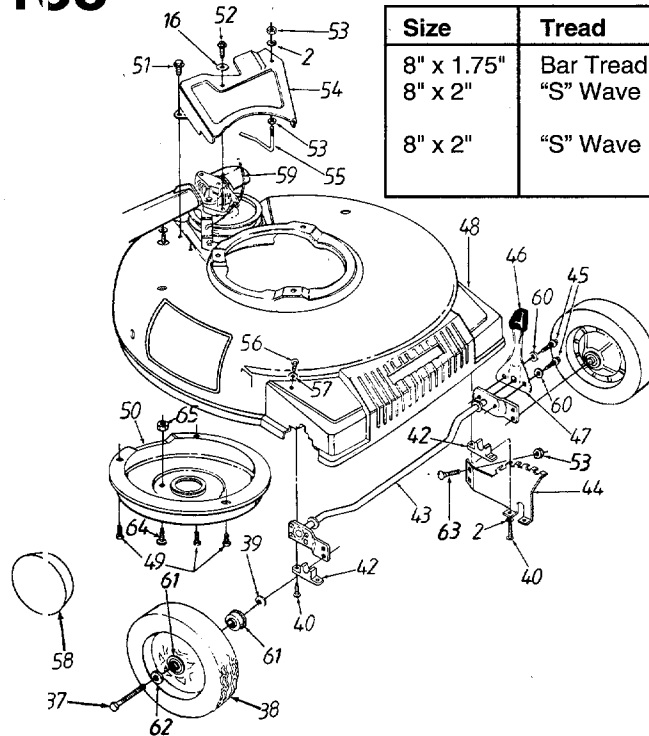
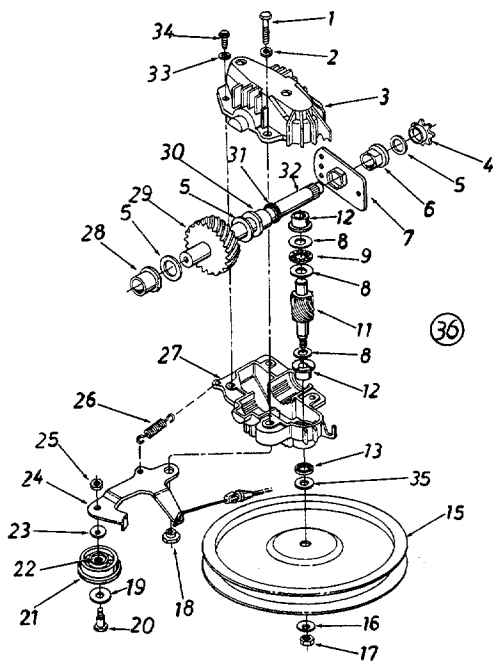
## PARTS LIST FOR MODELS 137 AND 138 ROTARY MOWERS

REF. NO.	PART NO.	CODE	DESCRIPTION	REF. NO.	PART NO.	CODE	DESCRIPTION
1	720-0225		Grip (Optional)	75	750-0624		Shld. Spacer .5" Dia.
2	647-0004		Control Handle w/Plastic	76	751B281191		XTE Black Shroud (Optional)
	747-0824		Control Handle		731-1396		Black Shroud (Optional)
3	710-1205		Rope Guide	80	738-0137		Shld. Scr. .342" Dia. x .268
4	720-0279		Handle Knob 1/4-20 Thd.	81	748-0188B		Pawl
5	712-0324		Hex L-Nut 1/4-20 Thd.	82	**		Wheel Ass'y. Comp.—Rear
6	646-0875		Throttle Body	84	741-0486B		Sleeve Bearing 1/2" I.D.
7	720-0276		Hand Knob				(Used w/734-1510B Wheel)
8	710-0605		Oval C-Sunk Scr.	85	710-1256		Hi-Lo Scr. #10 x 1.25" Lg.
9	745-0876		Throttle Lever	86	712-0414		Weld Top L-Nut 1/4-20 Thd.
10	811-00185		Throttle Box Comp. (Incl. Ref. 5, 6, 8, 9, 12)	95	746-0710A		S.P. Cable—44" Lg.
11	†		Hub Cap (See Chart)	96	754-0343		"V"-Belt
12	736-0501		Spr. Wash. .66" I.D.	98	711-0313		Sleeve .526" I.D.
14	749-0539B		Upper Handle	99	710-1055		Hex Bolt 3/8-24 x 1.0" Lg.
15	782-7522		Belt Cover	100	712-0241		Hex Nut 3/8-24 Thd.
18	714-0104		Internal Cotter Pin 5/16" Dia.	101	736-0169		L-Wash. 3/8" I.D.
19	746-0843		Throttle Control Wire 55" Lg.	102	682-0023	N	21" Deck Ass'y.
			(138)	114	731-1057		Self-Propelled Control Cover
	746-0847		Throttle Control Wire 42" Lg.	115	731-1058		Self-Propelled Control Cover
			(137)	116	731-0620		Control Lever
27	16855		Pawl Plate	118	710-0841		FI—"C"-Sunk Hd. Tap Scr. #10 x .75" Lg.
31	731-1059		S.P. Control Cover	121	710-1174		Curved Hd. Bolt 5/16-18 x 2" Lg.
32	735-0639		Spark Plug Insulator	122	711-0805		Shld. Pin 1.43" Lg.
35	749-0928		Lower Handle	123	736-0169		L-Wash. 3/8" I.D.
36	—		Engine	125	748-0332		Crankshaft Spacer (Used w/Splined Adapter)
40	751B213146	N	Cable Clamp (B&S)				Serrated Wash. 1" I.D. (Tec.)
41	710-1237		Hex Self-Tap Scr. #10-32 x .62" (B&S)	126	736-0409		Bell-Wash. 1.01" I.D. (Used w/Splined Adapter)
42	682-7513		Chain—Axle Ass'y.		736-0447		Wave Wash. 1" I.D. (Tecumseh)
43	710-0352		Hex B-Tap Scr. 1/4" x .38"		756-0502	127	Pulley Half—2 Req'd. (Used w/Splined Adapter)
44	736-0270		Bell-Wash. 1/4" I.D.				Hex Jam Nut 3/8-24 Thd.*
45	710-0224		Hex AB-Tap Scr. 1/4 x .62"	128	712-0711		Control Cable—39" (138)
47	712-0296		Hex Patch L-Nut 3/8-24 Thd.	129	746-0550		Control Cable 51" Lg. (137)
48	713-0361		#48 Chain .500" Pitch x 38 Links		746-0737		Ratchet Wheel 1.62" O.D.
51	731-1483	N	Rear Flap 4.8" x 17.5" Lg.	130	748-0318		Cotter Pin 1/8" Dia. x 1"
52	726-0240		Cable Tie	131	714-0115		Pulley Half (Used w/Keyed Adapter)
55	753-0519		Blade Adapter Kit (Splined)	132	756-0979		Pulley Half (Used w/Keyed Adapter)
	753-0566		Blade Adapter Kit (Keyed)	133	756-0962		Hex Flange Bearing
56	742-0721		21" Mulching Blade				Spr. Wash. .89" I.D. (Used w/Keyed Adapter)
57	731-1407		Chute Ass'y.	134	741-0522		Spring—Nylon
58	682-7000		Mulching Plug Ass'y.	135	736-0513		FI-Wash. .85" I.D. (Used w/Keyed Adapter)
58	736-0453		Bell-Wash. .47" I.D. (Used w/Splined Adapter)				Chain Cover Ass'y.
			Bell-Wash. .39" I.D. (Used w/Keyed Adapter)	136	10622B		Crankshaft Spacer (Used w/Keyed Adapter)
60	710-0561		Hex Bolt 7/16-20 x 2.5" (Used w/Splined Adapter)	137	736-0514		Hex S-Tap Scr. 1/4-20 x .50"
			Hex Bolt 3/8-24 x 2.5" (Used w/Keyed Adapter)	138	682-7506		Rear Shaft Ass'y. 21.44" Lg.
61	748-0190		Spacer .513" I.D.	139	748-0358		Hex Flange Brg. .506" I.D.
63	736-0119		L-Wash. 5/16" I.D.*	140	710-0599		FI-Wash. .531" I.D. x .930"
64	682-3006A		R.H. Handle Wheel Brkt. Ass'y.	147	738-0864		Hex Bolt 1/4-20 x .62" Lg. (Grade 5)
65	682-3007A		L.H. Handle Wheel Brkt. Ass'y.	148	741-0324		Transmission Comp. (See Breakdown)
66	710-0260		Carriage Bolt 5/16-18 x .62"	149	736-0160		Hex Bearing Cup
67	710-0603		Hex B-Tap Scr. 5/16-18	152	710-0751		FI-Wash. .385" I.D. x .87" O.D.
68	710-0654A		Hex TT-Tap Scr. 3/8-16				
69	712-0267		Hex Nut 5/16-18 Thd.*	153	717-0417B		
70	720-0223		Grip				
71	732-0725		Height Adj. Lever	154	16500A		
73	736-0242		Bell-Wash. 5/16" I.D.	155	736-0300		
74	750-0736		Spacer .383" I.D.				

# Models 137 and 138

## \*\*FRONT WHEEL CHART

Size	Tread	Part No.
8" x 1.75"	Bar Tread	634-0020
8" x 2"	"S" Wave	734-1512A (Gray— w/o Ball Bearing)
8" x 2"	"S" Wave	734-1513B (Gray— w/ Ball Bearing)

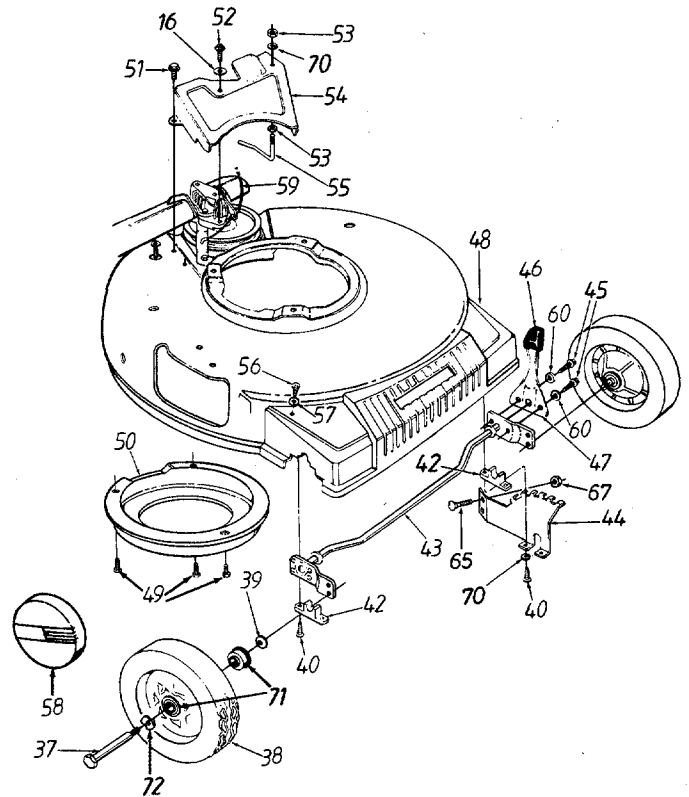
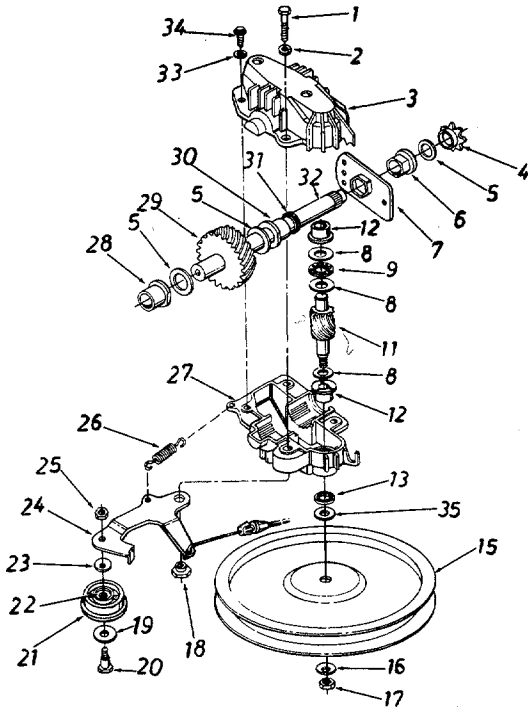


### PARTS LIST FOR MODELS 137 AND 138 ROTARY MOWERS

REF. NO.	PART NO.	CODE	DESCRIPTION	REF. NO.	PART NO.	CODE	DESCRIPTION
1	710-1062		Hex Patch Bolt 1/4-20 x 1.25"†	35	736-0410		Hex Washer .26" x .88"
2	736-0329		L-Wash. 1/4" I.D.*	36	717-0417B		Transmission Comp.
3	717-0418A		Upper Hsg. Half†	37	738-0102		Front Axle Bolt
4	713-0400		#48 Sprocket 7 T x 1/2 Pitch†	38	**		Wheel Ass'y. Comp.
5	736-0336		Fl-Wash. 5/8" I.D. x .030†	39	736-0105		Bell-Wash. .380" I.D. x .88
6	741-0413		Hex Flange Brg. .631" I.D.†	40	710-1241		Hex Wash. Hd. Tap Scr. 1/4-20 x 1" Lg.
7	16500A		Hex Bearing Cup†	42	741-0492A		Block Bushing
8	736-0314		Thrust Wash. .382" I.C. x .70" O.D.†	43	17733		Axle Ass'y.
9	741-0479		Thrust Bearing .375" I.D. x .812" O.D.†	44	782-0516		Height Adj. Bracket
11	717-1216		11 Tooth Pinion Shaft†	45	710-0653		Hex TT-Tap Scr. 1/4-20 x .38"
12	748-0208A		Flange Bearing†	46	720-0190		Knob
13	721-0212		Oil Seal†	47	732-0639		Spring Lever
15	756-0330A		Fl-Pulley 5.06" O.D.	48	731-1281		Plastic Front End
16	736-0270		Bell-Wash. .265" I.D. x .75"	49	710-0352		Hex B-Tap Scr. 1/4" x .38"
17	712-0351		Hex L-Nut 1/4-28 L.H. Thd.	50	782-7522		Belt Cover
18	738-0440		Shld. Spacer .375" Dia. x .170	51	710-0599		Hex Wash. Hd. TT-Scr. 1/4-20
19	736-0344		Fl-Wash. .390" I.D. x 1.0"	52	710-0896		Hex Wash. Hd. B-Tap Scr. 1/4 x .62" (Spec.)
20	738-0826		Shld. Bolt .375" Dia. x .40"	53	712-3027		Hex Flange L-Nut 1/4-20 Thd.
21	656-0008	N	Fl-Idler Plastic 1.50" Dia. (Incl. Ref. 22)	54	17058A		Transmission Belt Guard
22	741-0556		Needle Brg. .375" x .31	55	747-0549		S.P. Belt Guard
24	17052A		Idler Brk't. Ass'y.	56	710-1242		Torx Scr. 5/16 x .75" Lg.
25	712-0138		Hex Patch L-Nut 1/4-23 Thd.	57	736-0242		Bell-Wash. .345" I.D. x .88"
26	732-0357A		Extension Spring 1.12" Lg.	58	†		Hub Cap
27	717-0419A		Lower Hsg. Half†	59	746-0710A		S.P. Cable 44" Lg.
28	741-0415		Flange Bearing .566 Dia.†	60	736-0222		External L-Wash. 1/4" I.D.
29	717-0422A		33 Tooth Helical Gear†	61	741-0484		Ball Bearing 1/2" I.D. (Used w/734-1513B Wheel)
30	741-0414		Flange Bearing .629 Dia.†	62	736-0504		Wave Wash. .53" I.D. (Used w/Ref. 61)
31	721-0213		Oil Seal .625 Dia.†	63	710-0167		Carriage Bolt .5" Lg.
32	738-0607A		Gear Sprocket Shaft†	64	710-1131		Mach. Scr. 1/4-20 x 2" Lg.
33	736-0722		L-Wash. #10 I.D.†	65	712-0324		Hex L-Nut 1/4-20 Thd.
34	710-0436		Hex B-Tap Scr. #10 x .62"†				

† Part of Transmission Complete, Ref. No. 36.

# Models 146 and 148



## PARTS LIST FOR MODELS 146 AND 148 ROTARY MOWERS

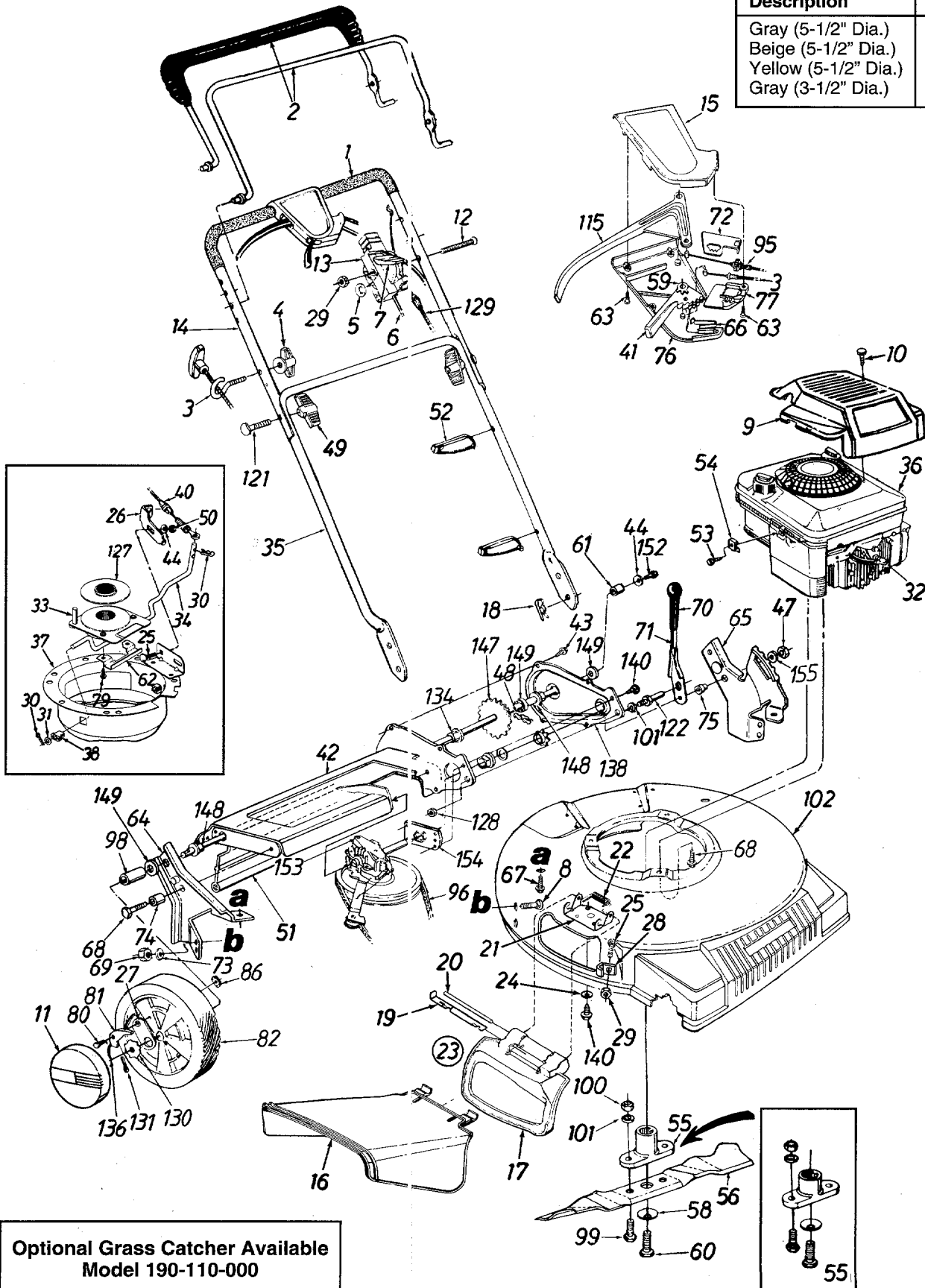
REF. NO.	PART NO.	CODE	DESCRIPTION	REF. NO.	PART NO.	CODE	DESCRIPTION
1	710-1062		Hex Patch Bolt 1/4-20 x 1.25"†	35	736-0410		Hex Washer .26" x .88"
2	736-0329		L-Wash. 1/4" I.D.*	36	717-0417B		Transmission Comp.
3	717-0418A		Upper Hsg. Half†	37	738-0102		Front Axle Bolt
4	713-0400		#48 Sprocket 7 T x 1/2 Pitch†	38	734-1512A		Wheel Ass'y. Comp. (Gray Rim)
5	736-0336		Fl-Wash. 5/8" I.D. x .030†		734-1790		Wheel Ass'y. Comp. (Yellow Rim)
6	741-0413		Hex Flange Brg. .631" I.D.†		734-1517B		Wheel Ass'y. Comp. (Beige Rim)
7	16500A		Hex Bearing Cup†		736-0504		Wave Washer (Used w/Ref. 71)
8	736-0314		Thrust Wash. .382" I.D. x .70" O.D.†	39	736-0105		Bell-Wash. .380" I.D. x .88
9	741-0479		Thrust Bearing .375" I.D. x .812" O.D.†	40	710-1241		Hex Wash. Hd. Scr. 1/4 x 1" Lg.
11	717-1216		11 Tooth Pinion Shaft†	42	741-0492A		Block Bushing
12	748-0208A		Flange Bearing†	43	17733		Axle Ass'y.
13	721-0212		Oil Seal†	44	782-0516		Height Adj. Bracket
15	756-0330A		Fl-Pulley 5.06" O.D.	45	710-0653		Hex TT-Tap Scr. 1/4-20 x .38"
16	736-0270		Bell-Wash. .265" I.D. x .75"	46	720-0190		Knob
17	712-0351		Hex L-Nut 1/4-28 L.H. Thd.	47	732-0639		Spring Lever
18	738-0440		Shld. Spacer .375" Dia. x .170	48	731-1281		Plastic Front End (Black)
19	736-0344		Fl-Wash. .390" I.D. x 1.0"		731-1507		Plastic Front End (Yellow)
20	738-0826		Shld. Bolt .375" Dia. x .40"	49	710-0352		Hex B-Tap Scr. 1/4" x .38"
21	656-0008	N	Fl-Idler Plastic 1.50" Dia. (Incl. Ref. 22)	50	782-7558		Belt Cover
22	741-0556		Needle Brg. .375" x .31	51	710-0599		Hex Wash. Hd. TT-Scr. 1/4-20
24	17052A		Idler Brk't. Ass'y.	52	710-0896		Hex Wash. Hd. B-Tap Scr. 1/4 x .62" (Spec.)
25	712-0138		Hex Patch L-Nut 1/4-28 Thd.	53	712-0287		Hex Nut 1/4-20 Thd.*
26	732-0357		Extension Spring 1.12" Lg.	54	17058A		Transmission Belt Cover
27	717-0419A		Lower Hsg. Half†	55	747-0549		S.P. Belt Guard
28	741-0415		Flange Bearing .566 Dia.†	56	710-1242		Torx Truss Hd. Scr. 5/16 x .75"
29	717-0422A		33 Tooth Helical Gear†	57	736-0242		Bell-Wash. .345" I.D. x .88"
30	741-0414		Flange Bearing .629 Dia.†	58	†		Hub Cap (See Chart)
31	721-0213		Oil Seal .625 Dia.†	59	746-0710A		S.P. Cable
32	738-0607A		Gear Sprocket Shaft†	60	736-0222		External L-Wash. 1/4" I.D.
33	736-0722		L-Wash. #10 I.D.†	65	710-0167		Carr. Bolt 1/4-20 x .5" Lg.
34	710-0436		Hex B-Tap Scr. #10 x .62"†	67	712-3027		Hex Flange L-Nut 1/4-20 Thd.
				70	736-0329		L-Wash. 1/4" I.D.*
				71	741-0484		Wheel Bearing (Optional)

†Part of Transmission Complete, Ref. No. 36.

# Models 146 and 148

†Optional Hub Caps

Description	Part No.
Gray (5-1/2" Dia.)	731-0981A
Beige (5-1/2" Dia.)	731-0982A
Yellow (5-1/2" Dia.)	731-1426
Gray (3-1/2" Dia.)	720-0249



Optional Grass Catcher Available  
Model 190-110-000

# Models 146 and 148

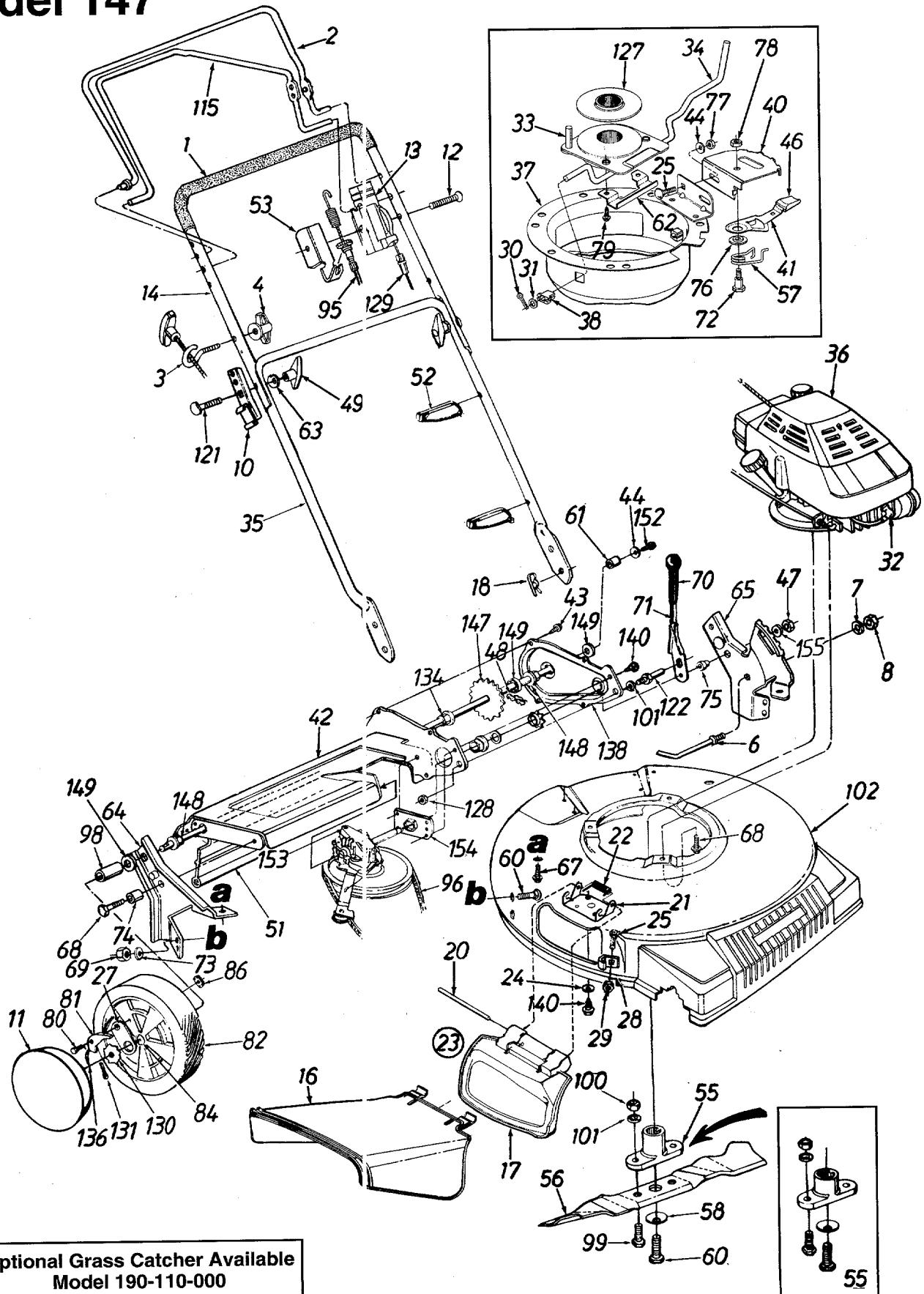
## PARTS LIST FOR MODELS 146 AND 148 ROTARY MOWERS

REF. NO.	PART NO.	CODE	DESCRIPTION	REF. NO.	PART NO.	CODE	DESCRIPTION
1	720-0225		Grip (2 Req'd.)**	58	736-0453		Bell-Wash. .47" I.D. x 1.14" O.D.
2	747-0824		Control Handle (Std.)	59	713-0397		Gear Insert
	647-0004		Control Handle (Deluxe)	60	710-0561		Hex Bolt 7/16-20 x 2.5"
3	710-1205		Rope Guide	61	748-0190		Spacer .513" I.D.
4	720-0279		Handle Knob 1/4-20 Thd.	62	782-7563		Bracket—Shift Plate
5	736-0501		Curved Spring Wash. .66" I.D.	63	710-0841		C-Sunk Tap Scr. #10 x .75" Lg.
6	746-0843		Throttle Wire—55" Lg.	64	682-3006A		R.H. Handle Wheel Brkt. Ass'y.
7	746-0876		Throttle Lever	65	682-3007A		L.H. Handle Wheel Brkt. Ass'y.
8	710-0260		Carriage Bolt 5/16-18 x .62" Lg.	66	732-0627		Shift Lever Spring
9	751B281191		XTE Engine Shroud (Black)**	67	710-0603		Hex B-Tap Scr. 5/16-18
	731-1396		Engine Shroud (Black)**	68	710-0654A		Hex TT-Tap Scr. 3/8-16
	731-1402		Engine Shroud (Yellow)**	69	712-0267		Hex Nut 5/16-18 Thd.*
10	710-1256		Hi-Lo Screw #10 x 1.25" Lg.	70	720-0223		Grip
11	†		Hub Cap (See Chart)	71	732-0725		Height Adj. Lever
12	710-0605		Oval C-Sunk Mach. Scr.	72	16864		6 Spd. Rack Cable Brkt.
13	646-0875	N	Throttle Body	73	736-0242		Bell-Wash. 5/16" I.D.
14	749-0539B		Upper Handle	74	750-0736		Spacer .383" I.D.
15	731-0904		Upper Control Housing	75	750-0624		Shld. Spacer .5" Dia.
16	731-1407		Side Chute Deflector	76	731-0905		Lower Control Housing
17	731-1404		Mulch Plug	77	731-0906		Cable Mounting Cap
18	714-0104		Internal Cotter Pin 5/16" Dia.	79	710-0653		Hex Wash. Hd. Tap Scr. 1/4-20
20	747-0710		Hinge Pin				x .38" Lg.
21	782-7006		Plug Adapter	80	738-0137		Shld. Scr. .342" Dia. x .268
22	732-0731		Torsion Spring	81	748-0188B		Pawl
23	682-7000		Mulch Plug Ass'y. Comp. (Incl. Ref. 17, 20, 21, 22)	82	734-1510B		Wheel Ass'y. Comp. (Gray Rim)
24	736-0270		Bell-Wash. .265" I.D. x .75" O.D.		734-1791		Wheel Ass'y. Comp. (Yellow Rim)
25	710-0167		Carriage Bolt 1/4-20 x .5" Lg.		734-1514B		Wheel Ass'y. Comp. (Beige Rim)
26	17070		Adjustable Cable Bracket	86	741-0486B		Wheel Bearing
27	16855		Pawl Plate	88	712-0414		Weild Top L-Nut 1/4-20 Thd.
28	782-7009		Chute Stop Bracket	95	746-0710A		S.P. Cable
29	712-0324		Hex L-Nut 1/4-20 Thd.	96	754-0343		"V"-Belt
30	714-0507		Cotter Pin 3/32" Dia. x .75"	98	711-0313		Sleeve .526" I.D.
31	736-0278		FI-Wash. .328" I.D. x .68"	99	710-1055		Hex Bolt 3/8-24 x 1.0" Lg.
32	735-0639		Spark Plug Insulator	100	712-0241		Hex Nut 3/8-24 Thd.
33	682-7511		Lower Pulley Half Ass'y.	101	736-0169		L-Wash. 3/8" I.D.
34	747-0882		Shift Rod	102	682-0023	N	21" Deck Ass'y.
35	749-0928		Lower Handle	115	731-0620		Control Lever
36	—		Engine—5 H.P.	121	710-1174		Curved Hd. Bolt 5/16-18 x 2" Lg.
37	682-7514		Housing Ass'y.	122	711-0805		Shld. Pin 1.43" Lg.
38	731-1137		Flanged Bushing	127	756-0503		Pulley Half—Serrated
40	746-0706		6 Spd. Cable	128	712-0711		Hex Jam Nut 3/8-24 Thd.*
41	731-0924		6 Spd. Shift Lever	129	746-0550		Control Cable—39"
42	682-7513		Chain—Axle Ass'y.	130	748-0318		Ratchet Wheel 1.62" O.D.
43	710-0352		Hex B-Tap Scr. 1/4" x .38"	131	714-0115		Cotter Pin 1/8" Dia. x 1"
44	736-0270		Bell-Wash. 1/4" I.D.	134	741-0522		Hex Flange Bearing
47	712-0296		Hex Patch L-Nut 3/8-24 Thd.	136	10622B		Spring—Nylon
48	713-0361		#48 Chain .500" Pitch x 38 Links	138	682-7506		Chain Cover Ass'y.
49	720-0241		Hand Knob	140	710-0599		Hex TT-Tap Scr. 1/4-20 x .50"
50	712-0291		Hex L-Nut 1/4-20 Thd.	147	738-0864		Rear Shaft Ass'y. 21.44" Lg.
51	731-1483	N	Rear Flap 4.8" x 17.5" Lg.	148	741-0324		Hex Flange Brg. .506" I.D.
52	726-0240		Cable Tie	149	736-0160		FI-Wash. .531" I.D. x .930"
53	710-1237		Hex Wash. Hd. Scr. #10-32 x .62" Lg.	152	710-0751		Hex Bolt 1/4-20 x .62" Lg. (Gr. 5)
54	751B213146		Casing Clamp	153	717-0417B		Transmission Comp. (See Breakdown)
55	753-0519		Blade Adapter Kit	154	16500A		Hex Bearing Cup
6	742-0721		21" Mulching Blade	155	736-0300		FI-Wash. .385" I.D. x .87" O.D.

\*\*Optional Parts

\*For faster service obtain standard nuts, bolts and washers locally. If these items cannot be obtained locally, order by part number and size as shown on parts list.

# Model 147



Optional Grass Catcher Available  
Model 190-110-000



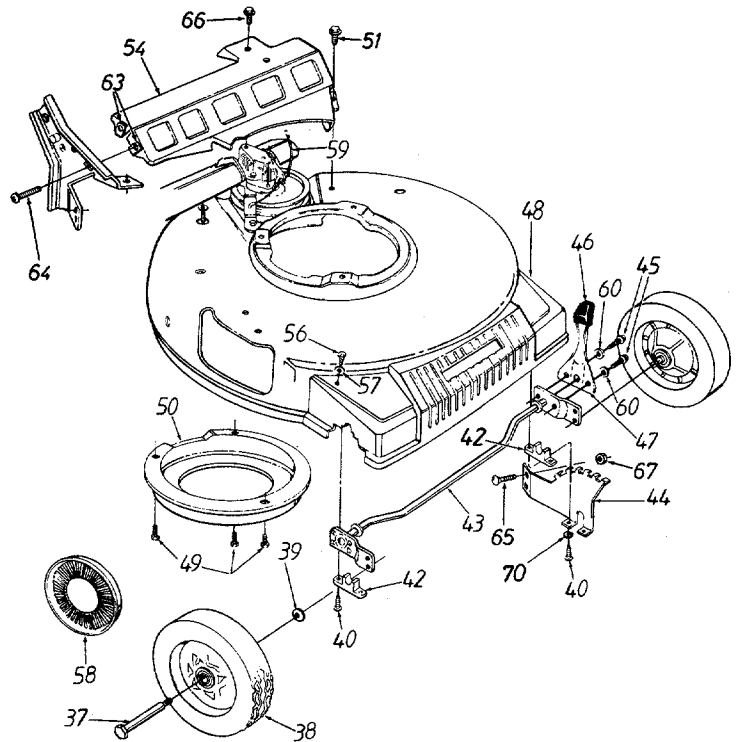
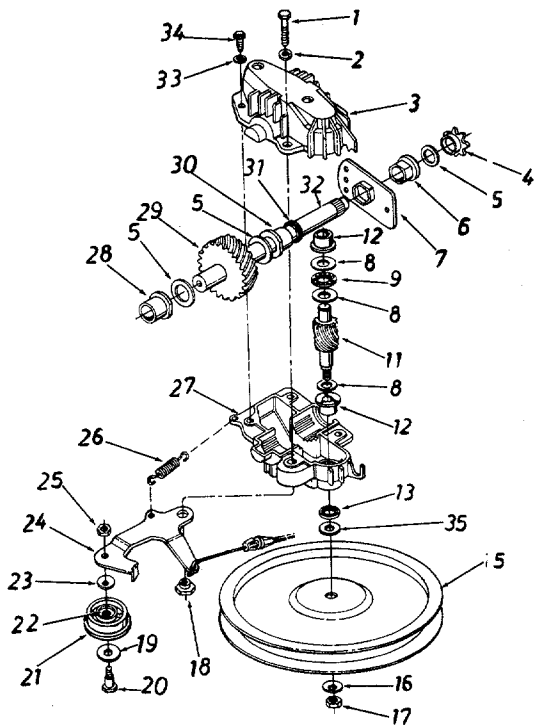
# Model 147

## PARTS LIST FOR MODEL 147 ROTARY MOWER

REF. NO.	PART NO.	CODE	DESCRIPTION	REF. NO.	PART NO.	CODE	DESCRIPTION
1	720-0226		Grip	61	748-0190		Spacer .513" I.D.
2	747-0824		Control Handle	62	782-7563		Bracket—Shift Plate
3	710-1205		Rope Guide	63	736-0451		Saddle Washer .32" I.D.
4	720-0279	N	Handle Knob 1/4-20 Thd.	64	682-3006A		R.H. Handle Wheel Brkt. Ass'y.
6	747-0855		Belt Guard	65	682-3007A		L.H. Handle Wheel Brkt. Ass'y.
7	736-0329		L-Wash. 1/4" I.D.*	66	710-0260		Carriage Bolt 5/16-18 x .62**
8	712-0287		Hex Nut 1/4-20 Thd.*	67	710-0603		Hex B-Tap Scr. 5/16-18
10	782-7007		Grass Catcher Bracket	68	710-0654A		Hex TT-Tap Scr. 3/8-16
11	731-0981A		Hub Cap	69	712-0267		Hex Nut 5/16-18 Thd.*
12	710-0605		Oval C-Sunk Mach. Scr.	70	720-0230		Grip
13	746-0875		Throttle Body	71	732-0725		Height Adj. Lever
14	749-0538C		Upper Handle	72	738-0138		Shld. Bolt .437" Dia.
16	731-1407		Side Chute Deflector	73	736-0242		Bell-Wash. 5/16" I.D.
17	731-1404		Mulch Plug	74	750-0736		Spacer .383" I.D.
18	714-0104		Internal Cotter Pin 5/16" Dia.	75	750-0624		Shld. Spacer .5" Dia.
20	747-0710		Hinge Pin	76	736-0289		Shld. Spacer .5" Dia. x .134"
21	782-7006		Plug Adapter	77	712-0291		Hex L-Nut 1/4-20 Thd.
22	732-0731		Torsion Spring	78	712-0158		Hex L-Nut 5/16-18 Thd.
23	682-7000		Mulch Plug Ass'y. Comp. (Incl. Ref. 17, 20, 21, 22)	79	710-0653		Hex Wash. Hd. Tap Scr. 1/4-20 x .38" Lg.
24	736-0270		Bell-Wash. .265" I.D. x .75" O.D.	80	738-0137		Shld. Scr. .342" Dia. x .268
25	710-0167		Carriage Bolt 1/4-20 x .5" Lg.	81	748-0188B		Pawl
27	16855		Pawl Plate	82	734-1510B		Wheel Ass'y. Comp.—Rear
28	782-7009		Chute Stop Bracket	84	741-0486B		Sleeve Bearing 1/2" I.D.
29	712-0324		Hex L-Nut 1/4-20 Thd.	86	712-0414		Weld Top L-Nut 1/4-20 Thd.
30	714-0507		Cotter Pin 3/32" Dia. x .75"	95	746-0911		S.P. Cable
31	736-0278		FI-Wash. .328" I.D. x .68"	96	754-0343		"V"-Belt
32	735-0639		Spark Plug Insulator	98	711-0313		Sleeve .526" I.D.
33	682-7511		Lower Pulley Half Ass'y.	99	710-1055		Hex Bolt 3/8-24 x 1.0" Lg.
34	747-0883		Shift Rod	100	712-0241		Hex Nut 3/8-24 Thd.
35	749-0928		Lower Handle	101	736-0169		L-Wash. 3/8" I.D.
36	143.434132		Engine—Craftsman Model 143.434132	102	682-0023		21" Deck Ass'y.
37	682-7514		Housing Ass'y.	115	747-0884		Self-Propelled Control Lever
38	731-1137		Flanged Bushing	121	710-1174		Curved Hd. Bolt 5/16-18 x 2" Lg.
40	782-7560		Shift Adj. Plate	122	711-0805		Shld. Pin 1.43" Lg.
41	732-0724		Shift Lever	127	756-0976		Pulley Half—Serrated
42	682-7513		Chain—Axle Ass'y.	128	712-0711		Hex Jam Nut 3/8-24 Thd.*
43	710-0352		Hex B-Tap Scr. 1/4" x .38"	129	746-0737		Control Cable—51"
44	736-0270		Bell-Wash. 1/4" I.D.	130	748-0318		Ratchet Wheel 1.62" O.D.
46	720-0190		Sping Lever Knob	131	714-0115		Cotter Pin 1/8" Dia. x 1**
47	712-0296		Hex Patch L-Nut 3/8-24 Thd.	134	741-0522		Hex Flange Bearing
48	713-0361		#48 Chain .500" Pitch x 38 Links	136	10622B		Spring—Nylon
49	720-0241		Hand Knob	138	682-7506		Chain Cover Ass'y.
51	731-1483		Rear Flap 3.75" x 17.5" Lg.	140	710-0599		Hex TT-Tap Scr. 1/4-20 x .50"
52	726-0240		Cable Tie	147	738-0864		Rear Shaft Ass'y. 21.44" Lg.
53	782-7559		Drive Control Bracket	148	741-0324		Hex Flange Brg. .506" I.D.
55	753-0519		Blade Adapter Kit	149	736-0160		FI-Wash. .531" I.D. x .930"
56	742-0721		21" Mulching Blade	152	710-0751		Hex Bolt 1/4-20 x .62" Lg. (Grade 5)
57	732-0719		Torsion Spring	153	717-0417B		Transmission Comp. (See Breakdown)
58	736-0453		Bell-Wash. .47" I.D. x 1.14" O.D.	154	16500A		Hex Bearing Cup
60	710-0561		Hex Bolt 7/16-20 x 2.5"	155	736-0300		FI-Wash. .385" I.D. x .87" O.D.

\*For faster service obtain standard nuts, bolts and washers locally.  
If these items cannot be obtained locally, order by part number  
and size as shown on parts list.

# Model 147



## PARTS LIST FOR MODEL 147 ROTARY MOWER

REF. NO.	PART NO.	CODE	DESCRIPTION	REF. NO.	PART NO.	CODE	DESCRIPTION
1	710-1062		Hex Patch Bolt 1/4-20 x 1.25"†	32	738-0607A		Gear Sprocket Shaft†
2	736-0329		L-Wash. 1/4" I.D.*	33	736-0722		L-Wash. #10 I.D.†
3	717-0418A		Upper Hsg. Half†	34	710-0436		Hex B-Tap Scr. #10 x .62"†
4	713-0400		#48 Sprocket 7 T x 1/2" Pitch†	35	736-0410		Hex Washer .26" x .88"
5	736-0336		Fl-Wash. 5/8" I.D. x .030†	36	717-0417B		Transmission Comp.
6	741-0413		Hex Flange Brg. .631" I.D.†	37	738-0102		Front Axle Bolt
7	16500A		Hex Bearing Cup†	38	734-1512A		Wheel Ass'y. Comp. 8 x 2"
8	736-0314		Thrust Wash. .382" I.D. x .70" O.D.†	39	736-0105		Bell-Wash. .380" I.D. x .88"
9	741-0479		Thrust Bearing .375" I.D. x .812" O.D.†	40	710-1241		Hex Wash. Hd. Scr. 1/4 x 1" Lg.
11	717-1216		11 Tooth Pinion Shaft†	42	741-0492A		Block Bushing
12	748-0208A		Flange Bearing†	43	17733		Axle Ass'y.
13	721-0212		Oil Seal†	44	782-0516		Height Adj. Bracket
15	756-0330A		Fl-Pulley 5.06" O.D.	45	710-0653		Hex TT-Tap Scr. 1/4-20 x .38"
16	736-0270		Bell-Wash. .265" I.D. x .75"	46	720-0190		Knob
17	712-0351		Hex L-Nut 1/4-28 L.H. Thd.	47	732-0639		Spring Lever
18	738-0440		Shld. Spacer .375" Dia. x .170"	48	731-1281		Plastic Front End
19	736-0344		Fl-Wash. .390" I.D. x 1.0"	49	710-0352		Hex B-Tap Scr. 1/4" x .38"
20	738-0826		Shld. Bolt .375" Dia. x .40"	50	782-7558		Belt Cover
21	656-0008	N	Fl-Idler Plastic 1.50" Dia. (Incl. Ref. #22)	51	710-0599		Hex Wash. Hd. TT-Scr. 1/4-20
22	741-0556		Needle Brg. .375" x .61"	54	782-7554		Transmission Belt Cover
24	17052A		Idler Brk't. Ass'y.	56	710-1242		Torx Truss Hd. Scr. 5/16 x .75"
25	712-0138		Hex Patch L-Nut 1/4-28 Thd.	57	736-0242		Bell-Wash. .345" I.D. x .88"
26	732-0357		Extension Spring 1.12" Lg.	58	731-0981A		Hub Cap
27	717-0419A		Lower Hsg. Half†	59	746-0909		S.P. Cable
28	741-0415		Flange Bearing .566" Dia.†	60	736-0222		External L-Wash. 1/4" I.D.
29	717-0422A		33 Tooth Helical Gear†	63	712-0147		Speed Nut #10-24 Thd.
30	741-0414		Flange Bearing .629" Dia.†	64	710-1003		Hex Tap Scr. #10-16 x .5" Lg.
31	721-0213		Oil Seal .625" Dia.†	65	710-0167		Carr. Bolt 1/4-20 x .5" Lg.
				66	710-0603		Hex B-Tap Scr. 5/16-18 x .5"
				67	712-3027		Hex Flange L-Nut 1/4-20 Thd.
				70	736-0329		L-Wash. 1/4" I.D.*

†Part of Transmission Complete, Ref. No. 36.