

Owner's Operating Service Instruction Manual

10¢

Model Nos.
124-290A
124-295A

- ASSEMBLY
- OPERATION
- REPAIR PARTS

21" SELF-PROPELLED ROTARY MOWERS

WARRANTY

For one year from date of purchase, MTD Products Inc will replace for the original purchaser, free of charge, F.O.B. factory or authorized service firm, any part or parts found to be defective in material or workmanship. All transportation charges on parts submitted for replacement under this warranty must be paid by the purchaser. This warranty does not include replacement of parts which become inoperative through misuse, excessive use, accident, neglect, improper maintenance or alterations by unauthorized persons. This warranty does not include the engine, motor, battery, battery charger or any component parts thereof. For service on these units, refer to the applicable manufacturer's warranty.

The above warranty will apply only to the original owner and will be effective only if the warranty card has been properly processed. It will not apply where the unit has been used commercially.

Warranty service is available through your local authorized service dealer or distributor. **UNDER NO CIRCUMSTANCES WILL THE RETURN OF A COMPLETE UNIT BE ACCEPTED BY THE FACTORY UNLESS PRIOR WRITTEN PERMISSION HAS BEEN EXTENDED.**

I M P O R T A N T

SAFE OPERATION PRACTICES FOR WALK-BEHIND MOWERS

TRAINING

1. Read the Operating and Service Instruction Manual carefully. Be thoroughly familiar with the controls and the proper use of the equipment.
2. Never allow children to operate a power mower.
3. Keep the area of operation clear of all persons, particularly small children and pets.

PREPARATION

1. Thoroughly inspect the area where the equipment is to be used and remove all stones, sticks, wire, bones and other foreign objects.
2. Do not operate equipment when barefoot or wearing open sandals. Always wear substantial footwear.
3. Check the fuel before starting the engine. Do not fill the gasoline tank indoors, when the engine is running, or while the engine is still hot. Wipe off any spilled gasoline before starting the engine.
4. Disengage the self-propelled mechanism or drive clutch on units so equipped before starting the engine (motor).
5. Never attempt to make a wheel adjustment while the engine (motor) is running.
6. Mow only in daylight or in good artificial light.
7. Never operate the equipment in wet grass. Always be sure of your footing; keep a firm hold on the handle and walk, never run.
5. If the equipment should start to vibrate abnormally, stop the engine (motor) and check immediately for the cause. Vibration is generally a warning of trouble.
6. Stop the engine (motor) whenever you leave the equipment, before cleaning the mower housing, and when making any repairs or inspections.
7. When cleaning, repairing or inspecting, make certain the blade and all moving parts have stopped. Disconnect the spark plug wire, and keep the wire away from the plug to prevent accidental starting.
8. Do not run the engine indoors.
9. Shut the engine (motor) off and wait until the blade comes to a complete stop before removing the grass catcher or unclogging chute.
10. Mow across the face of slopes, never up-and-down. Exercise extreme caution when changing direction on slopes. Do not mow excessively steep slopes.
11. Always disconnect electric mowers (line operated) before cleaning, repairing or adjusting.
12. Never operate mower without proper guards, plates or other safety protective devices in place.
13. Keep washout ports and other mower-housing service openings closed when mowing.

OPERATION

1. Do not change the engine governor settings or overspeed the engine.
2. Do not put hands or feet near or under rotating parts. Keep clear of the discharge opening at all times.
3. Stop the blade(s) when crossing gravel drive, walks or roads.
4. After striking a foreign object, stop the engine (motor), remove the wire from spark plug, thoroughly inspect the mower for any damage, and repair the damage before restarting and operating the mower.
1. Check the blade and engine mounting bolts at frequent intervals for proper tightness.
2. Keep all nuts, bolts, and screws tight to be sure the equipment is in safe working condition.
3. Never store the equipment with gasoline in the tank inside of a building where fumes may reach an open flame or spark. Allow the engine to cool before storing in any enclosure.
4. To reduce fire hazard, keep the engine free of grass, leaves, or excessive grease.
5. Check the grass catcher bag frequently for wear or deterioration. Replace with new bag for safety protection.

ASSEMBLY INSTRUCTIONS

HANDLE ASSEMBLY MODEL 124-290A

1. Remove the loose hardware from the assembly pack. You will need a screwdriver and a 5/16" wrench, either a socket as shown in figure 1 or an open end wrench.
2. Assemble the lower handle to the handle brackets as shown in figure 2.
3. Secure the handle with cotter hairpins on both sides. See figure 2.
4. Place the handle panel over the lower handle and fasten with the handle panel screw using a 5/16" wrench. See figure 3.
5. Place the upper handle over the lower handle and line up the holes as shown in figure 4.
6. Insert the curved head bolt from the inside and tighten the knob by hand. See figure 4.
7. Place the throttle control in the handle panel and assemble it with the two throttle screws using a screwdriver. See figure 5.
8. Use the cable clip to fasten the throttle control wire to the lower handle.
9. Check ALL nuts and bolts for correct tightness.

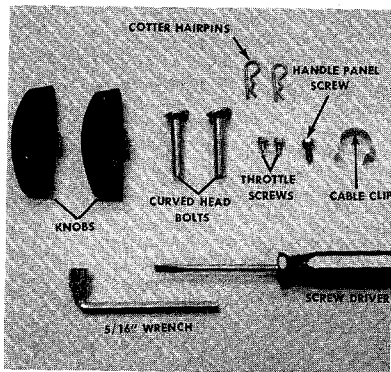


FIGURE 1. LOOSE HARDWARE AND TOOLS

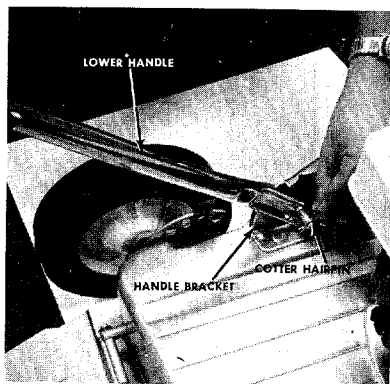


FIGURE 2. LOWER HANDLE ASSEMBLY

NOTE

It may be necessary to spread the ends of the lower handle outward slightly to assure a snug fit against the bracket mounting area.

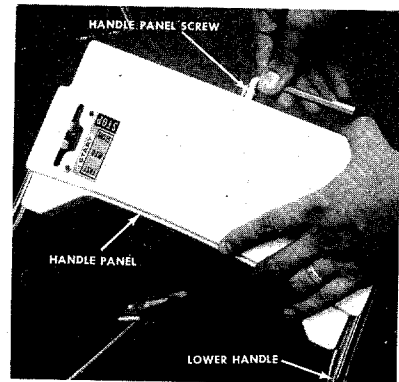


FIGURE 3. HANDLE PANEL ASSEMBLY

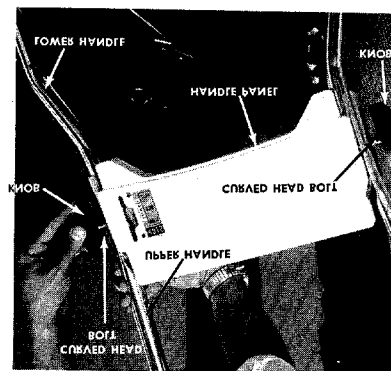


FIGURE 4. UPPER HANDLE ASSEMBLY

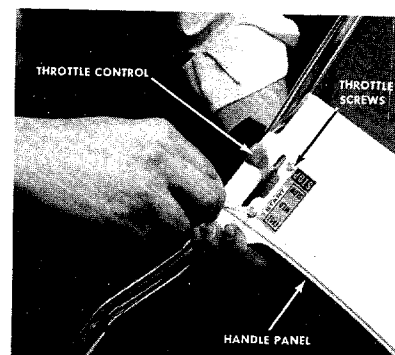


FIGURE 5. THROTTLE CONTROL ASSEMBLY

HANDLE ASSEMBLY MODEL 124-295A

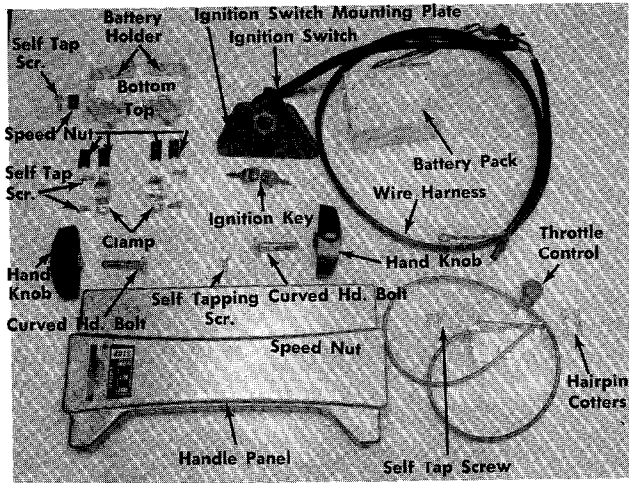


FIGURE 1. PARTS PROVIDED

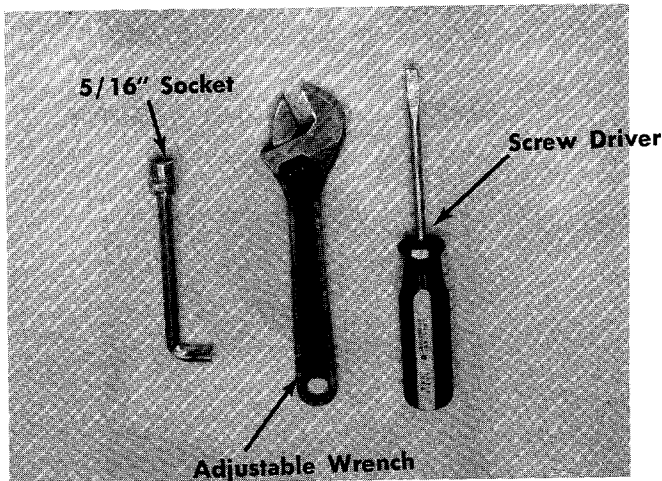


FIGURE 2. TOOLS REQUIRED

1. Place the throttle control in handle panel and secure with two hex slotted head screws. See figure 3.

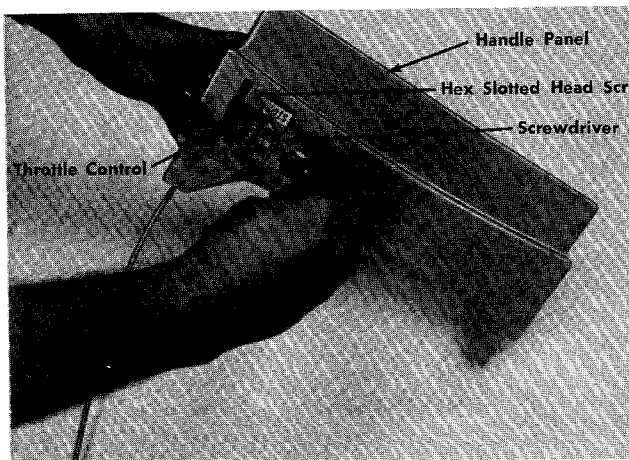


FIGURE 3. THROTTLE ASSEMBLY

2. Place a speed nut on bottom of one of the battery holders. See figure 1.
3. Place both battery holders around battery pack. See figure 4.
4. Secure battery holders to battery pack with a hex slotted self tapping screw. See figure 4.

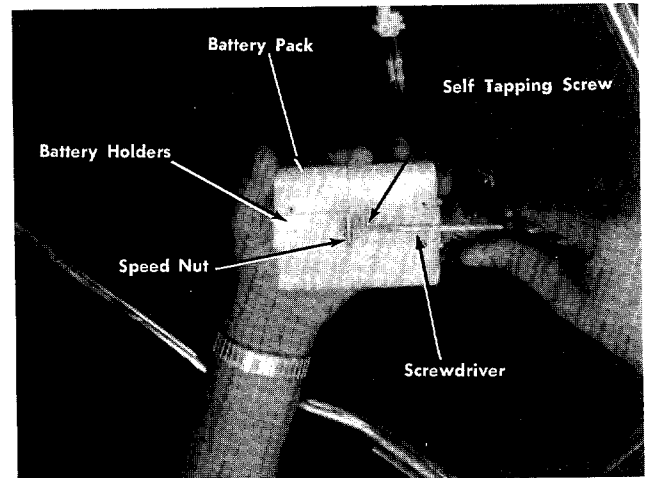


FIGURE 4. ASSEMBLY OF BATTERY HOLDERS

5. Place four more speed nuts on the top of battery holders. See figure 1.
6. Place the battery pack with battery holders in the center of the lower handle. See figure 5.
7. Secure battery pack in position with two clamps and two self tapping screws. See figure 5. NOTE: Just start two screws on bottom of clamps. Do not tighten.

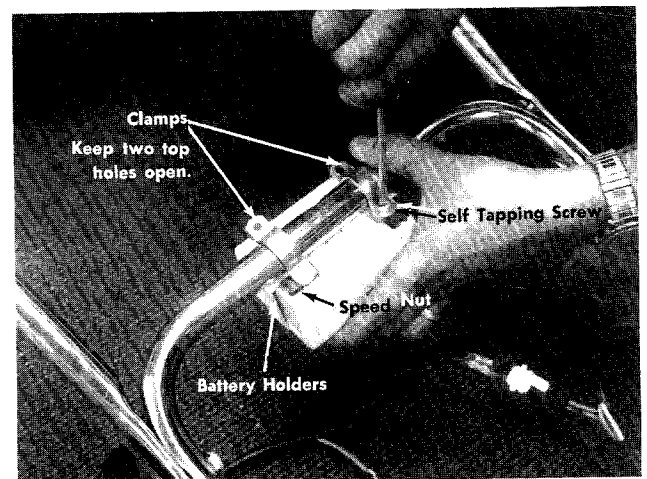


FIGURE 5. ASSEMBLY OF BATTERY PACK TO HANDLE

8. Place the ignition plate in position. See figure 6.



FIGURE 6. ASSEMBLY OF IGNITION PLATE

9. Assemble the ignition plate between the battery holders and clamps with two self tapping screws. See figure 6.
10. Now all four screws holding battery pack and ignition plate can be tightened securely.
11. Place the upper handle in position and start the hand knobs onto the curved head bolts. Do not tighten.
12. Place the handle panel in position over the head of the curved head bolts and secure the hand knobs tightly.
13. Remove the ignition keys from the ignition switch. See figure 7.

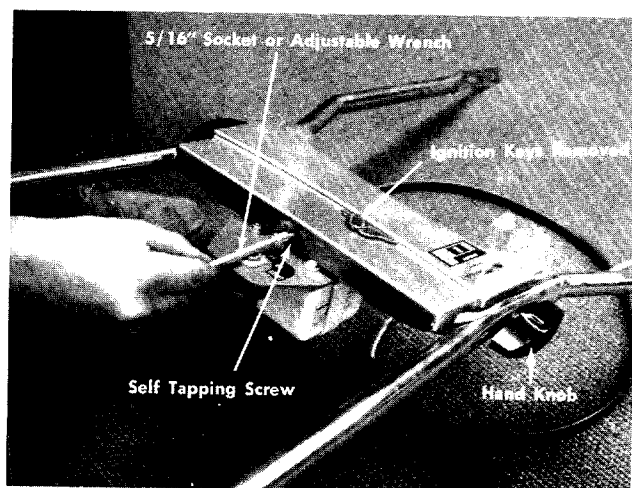


FIGURE 7. HANDLE PANEL ASSEMBLY

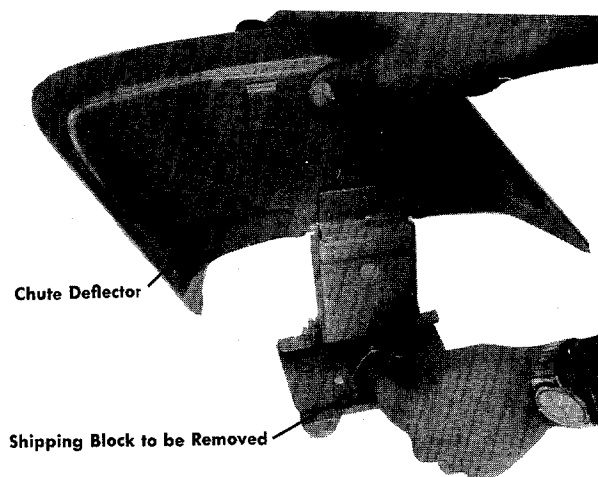
14. Secure top center of handle panel with hex head screw. See figure 7.
15. Place handle assembly on mower and secure with two hairpin cotters provided. See figure 1.
16. Secure throttle control wire to handle with cable clips.
17. Plug wire harness into engine.
18. Check ALL nuts and bolts for correct tightness.

NOTE

It may be necessary to spread the ends of the lower handle outward slightly to assure a snug fit against the bracket mounting area.

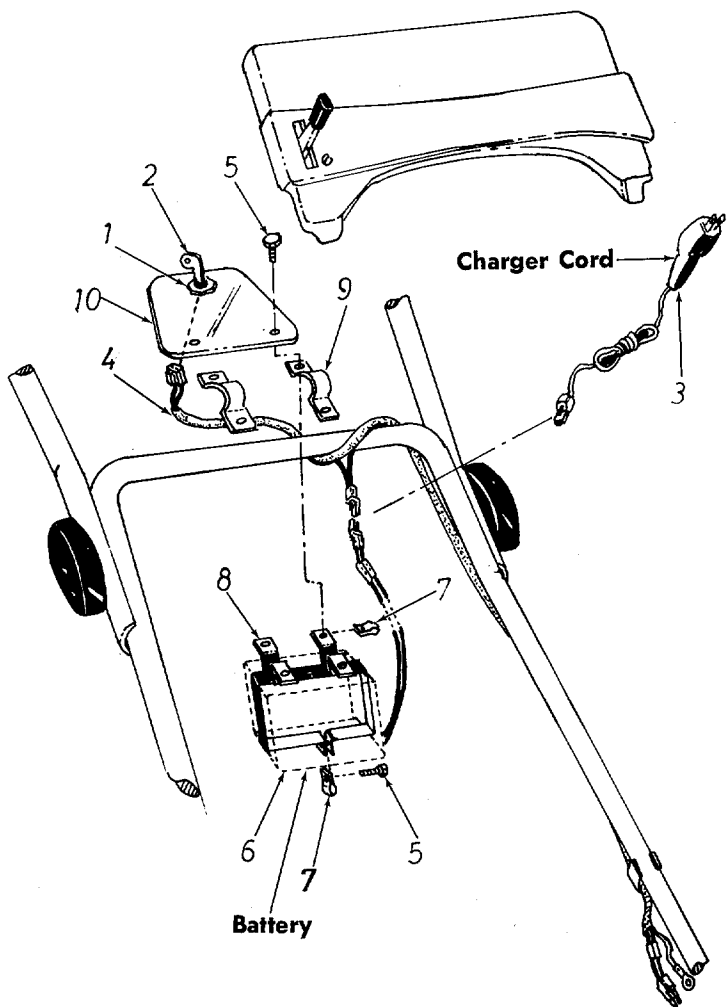
CAUTION

Please note that the chute deflector on your mower is in an upright position. It is held in that position by a shipping block. This block is used for shipping purposes only. It must be removed and discarded before your mower is put into operation.



Parts List for Model 124-295A Electrical System

Ref. No.	Part No.	DESCRIPTION () Number Req'd.
1	725-267	Ignition Switch
2	725-201	Ignition Key
3	725-304	G.E. Charger (#49B111LD03)
4	725-305	Wire Harness
5	710-429	Hex-B-Tapping Scw #10 Thd. x .38" Lg. (5)
6	725-303	Battery G.E. Model (41B906LD02-G2)
7	712-344	Speed Nut #10Z (5)
8	11638	Battery Holder Assembly
9	11618	Clamp (2)
10	11813	Switch Bracket



NOTE: This instruction manual covers various models and all accessories shown do not necessarily apply to your model mower. The engine is NOT under warranty by the mower manufacturer.

Find us fast in the



If repairs or service is needed on the engine, please contact your nearest authorized engine service outlet. Check the "Yellow Pages" of your telephone book under "Engines - Gasoline."

BATTERY CARE

1. To completely charge a discharged battery it takes 14-16 hours.
2. Recharge on ordinary 110-120 Volt, 60 Cycle house current.
3. Battery may be recharged on lawn mower or removed if more convenient.
4. Charger will not overcharge or damage battery if left on for an extended period.
5. ALWAYS REMOVE THE CHARGER PLUG FROM THE BATTERY BEFORE REMOVING THE CHARGER FROM THE HOUSE CURRENT.
6. REMOVE IGNITION KEY AND KEEP IN A DIFFERENT LOCATION WHENEVER LAWN MOWER IS NOT IN USE TO PREVENT ACCIDENTAL STARTING.

NOTE

For shipping purposes your mower is set with the wheels in a low cutting height position. For best results raise the cutting position until it is determined which height is best for your lawn. See adjustments.

OPERATION

1. Service engine with gas and oil. See engine manual packed with lawn mower for complete instructions for the care and maintenance of engine. READ DIRECTIONS CAREFULLY.
2. To disconnect the power to the rear drive wheels so the mower can be pushed by hand, depress the handle. To engage the drive wheels, lift the handle.
3. When turning the mower depress the handle and raise the front wheels, and pivot on the rear wheels. The differential action of the rear axle allows the wheels to turn independently on turns and allows both wheels to drive when the handle is in the UP position.

START ENGINE

With the throttle lever conveniently mounted on the handle, start, fast, slow and stopping of the engine is conveniently controlled with one lever. After the engine has been properly fueled and oiled (refer to engine operating and maintenance instructions), start engine in the following manner.

RECOIL STARTER

1. Move throttle control lever to START position.
2. Crank engine. Pull recoil with a quick firm pull. Do not pull out so far that rope stops with a jerk as this will cause rope failure. Do not allow rope and handle to snap back into place.
3. After two or three full firm pulls on recoil (or as soon as engine fires), move speed control to run position.
4. Operate a new engine at intermediate speeds and light load for the first few hours as you would a new automotive engine.
5. To stop engine, move speed control lever to STOP position.
6. If carburetor needs adjustment to start or for operation, see "Carburetor Readjustment" section.

ELECTRIC START

1. Move throttle control to START position.
2. Insert the key and turn clockwise until the engine starts.
3. To start the engine manually, remove the plastic cap from the flywheel, wrap a short piece of rope around the starter pulley, set the throttle control in the START position and pull the rope to start.
4. Operate a new engine at intermediate speeds and light load for the first few hours as you would a new automotive engine.
5. To stop engine, move speed control lever to STOP position.
6. If carburetor needs readjustment to start or for operation, see "Carburetor Readjustment" section.

NOTE: A brief break-in period is essential to insure maximum engine life. This consists of running the engine at half speed for a period of time required to use one tank of gasoline. This is necessary on the initial run only. It is also recommended that the oil be changed after five (5) hours of operation. This allows for the removal of impurities which may have accumulated during the break-in period. Subsequent oil changes should be made as stated in the engine manual. Always check oil before using your mower. Be sure crankcase is full.

ADJUSTMENTS

CAUTION

Do not at any time make any adjustment to lawn mower without first stopping engine and disconnecting spark plug wire.

CUTTING HEIGHT

This mower can be adjusted for seven cutting heights. To change the height, move the height adjustment lever away from the engine and forward to lower the cutting height and move to rear to raise the cutting height. The one lever adjusts all four wheels at the same time.

BELT

The belt requires no adjustment. The idler maintains the proper tension on the belt at all times.

THROTTLE

If adjustment becomes necessary, the throttle control wire assembly can be reset as follows:

1. Loosen, but do not remove, screw securing throttle control wire assembly at engine.
2. Move throttle control lever on handle to "FAST" position.
3. Move lever, to which control wire is fastened at engine, to full open position and retighten screw to secure throttle control wire assembly.

USING YOUR ROTARY MOWER

For the best results do not cut wet grass because it tends to stick to the underside of the mower, thus preventing proper discharge of grass clippings. If wet grass must be cut, reduce walking speed to help distribute the clippings more effectively.

New grass should be treated as wet grass, otherwise a normal walking speed is about the right pace for efficient mowing.

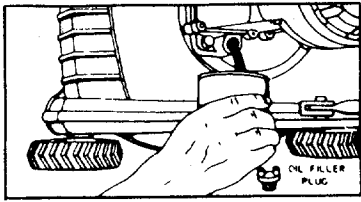
The best mowing pattern is one that allows the clippings to discharge towards the uncut part of the lawn. This permits recutting of the clippings to further pulverize them. When cutting high weeds, discharge towards cut portion then recut at right angles to first direction.

Lawn should be cut in the fall as long as there is growth.

LUBRICATION

IMPORTANT: Always stop engine and disconnect spark plug wire before cleaning, lubricating or doing any kind of work on lawn mower.

Engine — Follow engine manual for lubrication instructions.



NOTE: FILL AND DRAIN OIL FROM OIL FILL PLUG

Always disconnect spark plug cable during repairs, refueling or changing oil. Engine oil may be drained through oil filler opening by tilting the mower on its side. Change oil after first 5 hours of operation while engine is warm. Thereafter, change oil every 25 hours of operation while engine is warm.

Chain — Lubricate periodically with light engine oil (SAE No. 10 or 20).

Controls — Lubricate periodically the control assemblies and conduit and wire with light engine oil for ease of operation.

Wheels — Lubricate periodically bearings on front wheels with light engine oil. Rear drive wheels are equipped with sintered bearings. Lubricate at least once a season with light oil.

Protective Shield — The pivot points on the protective shield should be lubricated periodically with light oil to prevent any rust or binding.

Chute Deflector — The torsion spring and pivot point should be lubricated periodically with light oil to prevent any rust or binding. Deflector must work freely.

MAINTENANCE

CUTTING BLADE

The blade may easily be removed for grinding or replacement as follows:

1. Remove bolt and lock washer holding blade and blade adapter to engine crankshaft.
2. Remove blade and blade adapter from engine crankshaft.
3. Remove two bolts, lock washers and nuts holding blade to blade adapter (if necessary).

When sharpening blade, follow the original angle of grind as a guide. It is extremely important that each cutting edge receives an equal amount of grinding to prevent an unbalanced blade. An unbalanced blade will cause excessive vibration when rotating at high speeds and may cause damage to the mower.

NOTE

To insure safe operation of your unit, ALL nuts and bolts must be checked periodically for correct tightness.

Deck — The underside of mower deck should be cleaned after each period of use as grass clippings, leaves, dirt and other matter will accumulate. This accumulation of grass clippings, etc., is undesirable as it will invite rust and corrosion and may cause an uneven discharge of grass clippings at the next cutting.

The deck may be cleaned by tilting the mower forward or on its side and scraping clean with a suitable tool or by washing with a stream of water from a garden hose.

CAUTION: Do not direct the stream of water at a hot engine as damage to the engine may result.

Belt Removal (Refer to drawing on page 10).

1. Be sure spark plug wire is removed from spark plug.
2. Remove the belt guard (Ref. No. 65) by removing the two screws on the belt guard.
3. Move the height adjustment lever (Ref. No. 27) to the high position.
4. Place a piece of plastic film under gas cap and tighten it. The plastic prevents gasoline from draining from the air vent in the cap.
5. Place the handle of mower on a table or bench so that the underside of deck is showing.
6. Remove cutting blade (Ref. No. 38) by removing blade bolt (Ref. No. 40).
7. Remove deck (Ref. No. 37) by removing four bolts (Ref. No. 43). **NOTE:** If you have a grass catcher adapter plate on your unit remove only one bolt, one towards the front wheels.
8. Remove master link (Ref. No. 81) and chain (Ref. No. 80).
9. Remove rear wheel hub cap (Ref. No. 55) from right hand rear wheel only.
10. Remove cotter pin (Ref. No. 31), ratchet (Ref. No. 56) and right hand rear wheel (Ref. No. 3).
11. Remove spring (Ref. No. 49) from cam assembly (Ref. No. 59).
12. Remove shoulder bolt (Ref. No. 18) from rear axle assembly (Ref. No. 4) on the right hand side only.
13. Remove cotter pin (Ref. No. 31) from shaft assembly (Ref. No. 5).
14. Pull idler assembly (Ref. No. 58) towards you and pull belt (Ref. No. 64) over idler.
15. Slide shaft assembly (Ref. No. 5) to the left.
16. Pull belt down past PTO pulley (Ref. No. 32) and over end of rear axle assembly (Ref. No. 4).
17. To replace with new belt, reverse the above steps.

Storage — The following steps should be taken to prepare the mower for storage.

1. Clean and lubricate mower thoroughly as described in the preceding instructions.
2. Refer to engine manual for correct engine storage instructions.
3. Coat mower's cutting blade with chassis grease to prevent rusting.
4. Store mower in dry, clean area.

NOTE

The manufacturer DOES NOT recommend the use of any accessory on this Rotary Mower other than those manufactured by MTD Products Inc.

GRASS CATCHER Model No. 194-003A is available as optional equipment for the mowers shown in this manual.

WARNING:

1. The mower should not be operated without the entire grass catcher or chute deflector in place.
2. The mower should not be operated without the protective shield on the rear of the deck in place.

NOTE:

Under normal usage bag material is subject to wear and should be checked periodically. Be sure any replacement bag complies with the mower manufacturer's recommendations.

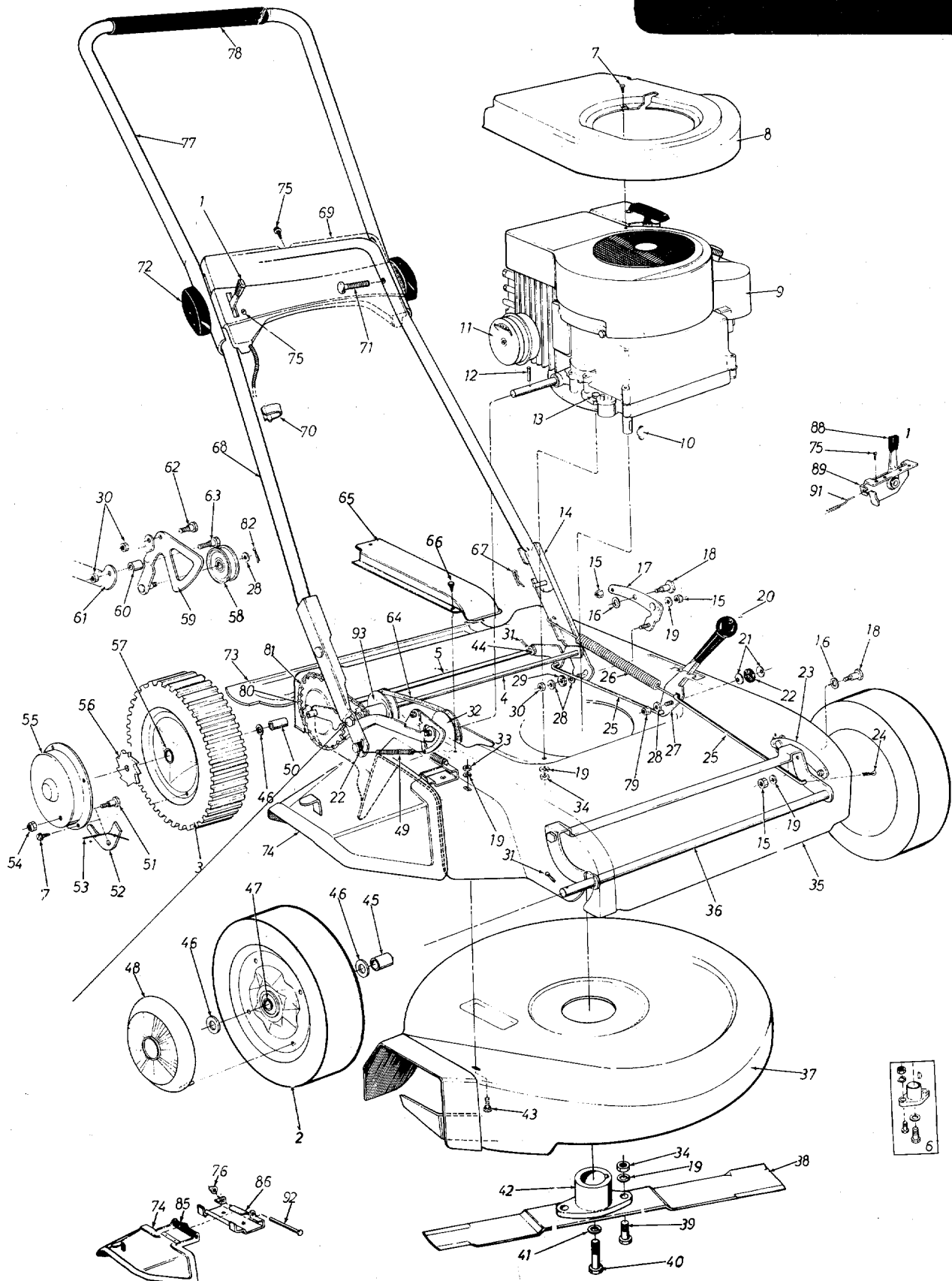
For replacement bags, use only factory authorized replacement bag No. 764-119.

★ IMPORTANT

After striking a foreign object, stop the engine (motor), remove wire from spark plug. Thoroughly inspect the mower for any damage, and repair the damage before restarting and operating the mower.

124-290A 124-295A

IF YOU WRITE TO US ABOUT THIS ARTICLE
OR IF YOU ORDER REPLACEMENT PARTS AL-
WAYS MENTION THIS MODEL & SERIAL NO
MODEL



PARTS LIST FOR MODEL NOS. 124-290A and 124-295A

REF. NO.	PART NO.	COLOR CODE	DESCRIPTION	NEW PART	REF. NO.	PART NO.	COLOR CODE	DESCRIPTION	NEW PART
1	11611		Throttle Control Ass'y.—Comp.		49	732-265		Spring	
2	9383-513		Front Wheel Ass'y.—Comp.		50	750-190		Rear Wheel Spacer	
3	734-538		Rear Wheel Ass'y.—Comp.		51	738-137		Shoulder Bolt—Special	
4	11900		Rear Axle Ass'y.		52	748-188		Pawl—Rear Wheel	
5	11866		Rear Shaft Ass'y.		53	10622		Nylon Spring	
6	10769		Blade Adapter Kit		54	712-219		Hex Elastic Stopnut ¼-20 Thd.	
7	710-407		Slotted Hex Washer Hd. Ext. Scr. #8-32 x 1.50" Lg.		55	10647		Hub Cap—Rear Wheel	
8	10612—452		Engine Shroud (124-290A)		56	748-187		Ratchet—Rear Wheel	
	10611—452		Engine Shroud (124-295A)		57	748-125		Sintered Bearing—Rear Wheel	
9	—		Engine		58	756-192		Idler Bearing	
10	714-365		Key Hi Pro #505		59	11920		Cam	
11	9278		Exhaust Deflector		60	750-122		Sleeve	
12	715-105		Spirol Pin 3/16" Dia. x .50" Lg.		61	10650		Pivot Arm Ass'y.—R.H. <i>USE 12624?</i>	
13	710-158		Hex Scr. 5/16-24 x 1.25" Lg.*		62	738-140		Shoulder Bolt—Special	
14	10623		Handle Ext. Ass'y.		63	738-141		Shoulder Bolt—Special	
15	712-798		Hex Nut ¾-16 Thd.		64	754-114		"V"-Belt—½ x 24" Lg.	
16	736-159		Flat Washer		65	10635—458		Belt Guard Cover	
17	10656		Rear Height Pivot Bracket Ass'y.		66	710-224		Hex Hd. Self Tap Scr. #10 x .50" Lg.*	
18	738-149		Shoulder Bolt—Special		67	714-104		Hairpin Cotter	
19	736-119		Spring Lockwasher 5/16 Scr.*		68	10970		Lower Handle	
20	720-143		Grip—Height Adjuster		69	11606—458		Handle Panel	
21	736-105		Belleville Washer		70	746-128		Cable Clip	
22	735-126		Rubber Washer		71	710-405		Curved Hd. Scr. 5/16-18 x 1.75" Lg.*	
23	10658		Front Height Pivot Brkt. Ass'y.		72	9966		Knob—Handle Ass'y.	
24	714-507		Cotter Pin 3/32 x .75" Lg.*		73	12251—458		Protective Shield Ass'y.—Comp.	
25	10080		Rod—Height Adj. 5/16 Thd.*		74	11679—458		Chute Deflector	
26	732-153		Spring 8.65" Lg.		75	710-407		Slotted Hex Washer Hd. Ext. Scr. #8-32 x .50" Lg.	
27	10666		Height Adj. Lever		76	726-106		Push-on Flange Palnut	
28	736-160		Flat Washer*		77	10011		Upper—Handle	
29	735-127		Rubber Washer		78	718-144		Grip	
30	712-158		Hex Center Lock Nut 5/16-18 Thd.*		79	712-711		Hex Jam Nut ¾-24 Thd.	
31	714-115		Cotter Pin ⅛" Dia. x 1" Lg.*		80	713-144		Roller Chain #48 x 15.50" Lg.	
32	756-115		Pulley—For P.T.O.		81	713-122		Master Link for #48 Chain	
33	712-267		Hex Nut 5/16-18 Thd.*		82	714-474		Cotter Pin ⅛ Dia. x .75	
34	712-123		Hex Nut 5/16-24 Thd.*		85	732-253		Torsion Spring	
35	11428—458		Upper Deck Ass'y.		86	11130—458		Adapter Plate	
36	10662		Front Axle Ass'y.		87	7299		Oil Fill Trough (Not Shown)	
37	11425—458		Lower Deck Ass'y.		88	7470		Throttle Control—Knob	
38	742-124		Blade—21 inch		89	11598		Throttle Control Ass'y.	
39	710-117		Hex Scr. 5/16-24 x 1" Lg.—H.T.		90	710-567		Hex Sems Scr. ¼-28 x .62" Lg.	
40	710-459		Hex Scr. ¾-24 x 1.50" Lg.—H.T.		91	746-231		Conduit and Wire	
41	736-217		Spring Lockwasher ¾ Scr. H.D.		92	711-555		Pivot Pin	
42	10769		Blade Adapter Kit		93	756-191		Pulley with Sprocket	
43	710-260		Carriage Bolt 5/16-18 x ⅝" Lg.*			11679—458		Chute Deflector Ass'y.—Comp. (Incl. Ref. No's. 74, 76, 85, 86 & 92)	
44	748-142		Flange Bearing—Rear						
45	748-190		Front Wheel Spacer						
46	736-160		Flat Washer						
47	741-114		Ball Bearing—Front Wheel						
48	731-124		Hub Cap—Front Wheel						

* For faster service, obtain standard nuts, bolts and washers locally. If these items cannot be obtained locally, order by part number and size as shown on the parts list.

458 Arctic Blue

When ordering parts, if color or finish is important, use the appropriate color code shown above (e.g. Arctic Blue Finish, 11428 (458)).

PARTS INFORMATION

DEFECTIVE OR MISSING PARTS must be reported to the factory immediately. Such claims must include your model number and date of purchase.

POWER EQUIPMENT PARTS AND SERVICE

Parts and service for all MTD manufactured power equipment are available through the authorized service firms listed below. All orders should specify the model number of your unit, parts numbers, description of parts and the quantity of each part required.

A 1 Engine & Mower Co.

327 East 9th Street
Salt Lake City, Utah 84102

American Electric Ignition Co.

124 N. W. 8th Street
Oklahoma City, Oklahoma 73102

Auto Electric & Carburetor Co.

2525 4th Avenue, S.
P. O. Box 1948
Birmingham, Alabama 35233

Automotive Equipment Service Co.

3117 Holmes Street
Kansas City, Missouri 64109

Bailey's Rebuild Inc.

1325 E. Madison Street
Seattle Washington 98102

Bleckrie, Inc.

7900 Lorain Avenue
Cleveland, Ohio 44102

Brown Equipment Distributor Inc.

110 Beech Street
Corydon, Indiana 47112

Bullard Supply

2409 Commerce Street
Houston, Texas 77003

Carl A. Anderson Co.

623 S. 16th Street
Omaha, Nebraska 68102

Catto & Putty, Inc.

P. O. Box 2408
510 Soledad Street
San Antonio, Texas 78205

Center Supply Company

6867 New Hampshire Avenue
Takoma Park, Maryland 20012

Dixie Sales Company

P. O. Box 1408
327 Battleground Avenue
Greensboro, North Carolina 27402

East Point Cycle & Key Shop

1617 Whiteway
East Point, Georgia 30044

Gamble Distributors

West End Avenue
Carthage, New York 13619

Garden Equipment Co., Inc.

6600 Cherry Avenue
Long Beach, California 90805

Gardenville Supply, Inc.

Pipersville, Pennsylvania 18947

Henry W. O'Neil & Assoc., Inc.

410 North Goodman Street
Rochester, New York 14609

Henzler, Inc.

2015 Lemay Ferry Road
St. Louis, Missouri 63125

Kenton Supply

8216 North Denver Avenue
Portland, Oregon 97217

Kimber's Inc.

115 W. Geddes St.
Syracuse, New York 13204

The Lawnmower Shop

1340 El Camino Real
San Carlos, California 94070

Marr Brothers

423 E. Jefferson
Dallas, Texas 75203

Mathews Auto Electric Co.

420 East 2nd Street
Tulsa Oklahoma 74120

McClure Lawn & Garden Supply

1114 Lexington Avenue
Mansfield, Ohio 44907

Memphis Cycle & Supply Co.

421 Monroe Avenue
Memphis Tennessee 38103

Morton B. Collins Co.

300 Birnie Avenue
Springfield, Massachusetts 01107

Moz-All of Florida, Inc.

365 Greco Avenue
Coral Gables, Florida 33146

National Central, Div. of

Joe Sterling, Inc.
Drawer "D" 687 Seville Rd.
Wadsworth, Ohio 44281

Parts & Sales Inc.

2101 Industrial Pkwy.
Elkhart, Indiana 46514

Power Equipment Distributor

36463 So. Gratiot Avenue
Mt. Clemens, Michigan 48043

Power Lawn & Garden Equip. Co.

2551-2571 J. F. Kennedy Road
Dubuque, Iowa 52001

Radco Distributors

2403 Market Street
P. O. Box 3216
Jacksonville, Florida 32206

Raub Supply Company

James & Mulberry Sts.
Lancaster, Pennsylvania 17604

Richmond Battery & Ignition

P. O. Box 25369 - 957 Myers St.
Richmond, Virginia 23260

Smith Hardware Company

515 N. George Street
Goldsboro, North Carolina 27530

South Denver Lawn Equip. Co.

527 West Evans
Denver, Colorado 80223

Suhren Engine

8330 Earhart Blvd.
New Orleans, Louisiana 70118

Sutton's Lawn Mower Shop

Route 4, Box 343
North Little Rock, Arkansas 72117

Warner Equipment

7520 Lyndale Avenue, So.
Minneapolis, Minnesota 55423

Woodson Sales & Service

1702 North Sylvania
Ft. Worth, Texas 76111

WARRANTY PARTS AND SERVICE POLICY

The purpose of warranty is to protect the customer from defects in workmanship and materials, defects which are NOT detected at the time of manufacture. It does not provide for the unlimited and unrestricted replacement of parts. Use and maintenance are the responsibility of the customer. The manufacturer cannot assume responsibility for conditions over which it has no control. Simply put, if it's the manufacturer's fault, it's the manufacturer's responsibility; if it's the customer's fault, it's the customer's responsibility.

CLAIMS AGAINST THE MANUFACTURER'S WARRANTY INCLUDES

1. Replacement of Missing Parts on new equipment.
2. Replacement of Defective Parts within the warranty period.
3. Repair of Defects within the warranty period.

All claims MUST be substantiated with the following information:

1. Model Number of unit involved.
2. Date unit was purchased or first put into service.
3. Date of failure.
4. Nature of failure.