

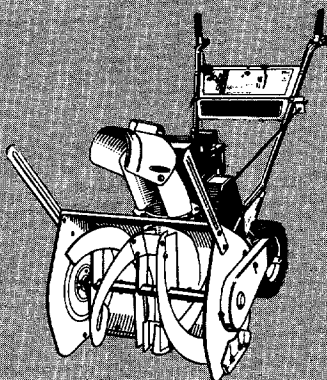
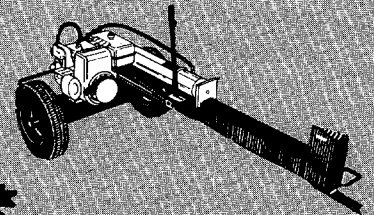
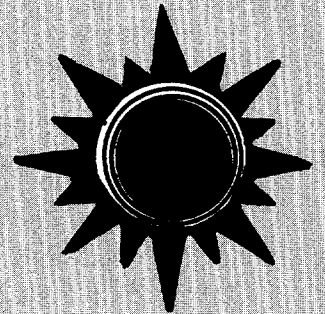
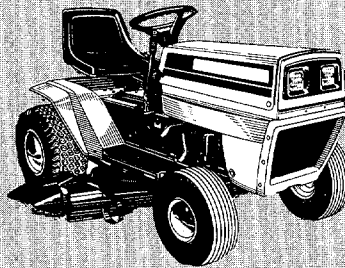
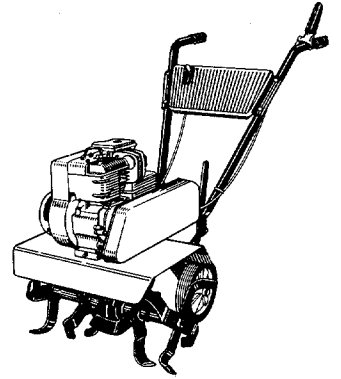
OWNER'S MANUAL

20" REAR DISCHARGE SELF- PROPELLED ROTARY MOWERS

Model Numbers
122-320A
122-320-300

Important:
Read Safety Rules and
Instructions Carefully

Thank you for purchasing an
American built product.



INDEX

Safe Operation Practices.....	3	Maintenance	10
Assembly Instructions.....	4	Off-Season Storage	12
Operation	8	Illustrated Parts	14,16
Adjustments.....	9	Repair Parts List	15,17
Lubrication	10	Parts Information	Back Cover

LIMITED WARRANTY

For one year from the date of original retail purchase, MTD PRODUCTS INC will either repair or replace, at its option, free of charge, F.O.B. factory or authorized service firm, any part or parts found to be defective in material or workmanship. Transportation charges for the movement of any power equipment unit or attachment are the responsibility of the purchaser. Transportation charges for any parts submitted for replacement under this warranty must be paid by the purchaser unless such return is requested by MTD PRODUCTS INC.

This warranty will not apply to any part which has become inoperative due to misuse, excessive use, accident, neglect, improper maintenance, alterations, or unless the unit has been operated and maintained in accordance with the instructions furnished. This warranty does not apply to the engine, motor, battery, battery charger or component parts thereof. Please refer to the applicable manufacturer's warranty on these items.

This warranty will not apply where the unit has been used commercially.

Warranty service is available through your local authorized service dealer or distributor. If you do not know the dealer or distributor in your area, please write to the Customer Service Department of MTD.

The return of a complete unit will not be accepted by the factory unless prior written permission has been extended by MTD.

This warranty gives you specific legal rights. You may also have other rights which vary from state to state.



WARNING

TO PURCHASERS OF INTERNAL COMBUSTION ENGINE EQUIPPED MACHINERY OR DEVICES IN THE STATE OF CALIFORNIA

The equipment which you have just purchased does not have a spark arrester. If this equipment is used on any forest covered land, brush covered land, or grass covered unimproved land in the State of California, before using on such land, the California law requires that a spark arrester be provided. In addition, spark arrester is required by law to be in effective working order. The spark arrester must be attached to the exhaust system and comply with Section 4442 of the California Public Resources Code.



WARNING

To reduce the potential for any injury, comply with the following safety instructions. Failure to comply with the instructions may result in personal injury.

SAFE OPERATION PRACTICES FOR WALK-BEHIND MOWERS

TRAINING

1. It is suggested that this manual be read in its entirety before attempting to assemble or operate this unit. Keep this manual in a safe place for future reference and for ordering replacement parts.
2. Your rotary mower is a precision piece of power equipment, not a plaything. Therefore, exercise extreme caution at all times.
3. Read this Owner's Manual carefully. Be thoroughly familiar with the controls and the proper use of the equipment.
4. Never allow children to operate a power mower. Only persons well acquainted with these rules of safe operation should be allowed to use your mower.
5. Keep the area of operation clear of all persons, particularly small children and pets. Stop engine when they are in the vicinity of your mower. Although the area of operation should be completely cleared of foreign objects, a small object may have been overlooked and could be accidentally thrown by the mower in any direction and cause injury.

PREPARATION

1. Thoroughly inspect the area where the equipment is to be used. Remove all stones, sticks, wire, bones and other foreign objects which could be picked up and thrown by the mower in any direction and cause injury.
2. Do not operate equipment when barefoot or wearing open sandals. Always wear substantial footwear.
3. Do not wear loose fitting clothing that could get caught on the mower.
4. Check the fuel before starting the engine. Gasoline is an extremely flammable fuel. Do not fill the gasoline tank indoors, while the engine is running, or while the engine is still hot. Wipe off any spilled gasoline before starting the engine as it may cause a fire or explosion.
5. Disengage the self-propelled mechanism or drive clutch on units so equipped before starting the engine.
6. Never attempt to make a wheel or cutting height adjustment while the engine is running.
7. Mow only in daylight or in good artificial light.
8. Never operate the equipment in wet grass. Always be sure of your footing. Keep a firm hold on the handle and walk, never run.

OPERATION

1. Do not change the engine governor settings or overspeed the engine. Excessive engine speeds are dangerous.
2. Do not put hands or feet near or under rotating parts. Keep clear of the discharge opening at all times as the rotating blade can cause injury.
3. Stop the blade when crossing gravel drives, walks or roads.
4. After striking a foreign object, stop the

engine, remove the wire from the spark plug, and thoroughly inspect the mower for any damage. Repair the damage before restarting and operating the mower.

5. If the equipment should start to vibrate abnormally, stop the engine and check immediately for the cause. Vibration is generally a warning of trouble.
6. Stop the engine whenever you leave the mower, before cleaning the mower housing, and when making any repairs or inspections.
7. When cleaning, repairing or inspecting, make certain the blade and all moving parts have stopped. Disconnect the spark plug wire, and keep the wire away from the plug to prevent accidental starting.
8. Before attempting to unclog the mower or discharge chute, stop the engine and be sure the blade has stopped completely. The cutting blade continues to rotate for a few seconds after the engine is shut off. Never place any part of the body in the blade area until you are sure the blade has stopped rotating. Disconnect the spark plug wire and keep the wire away from the plug to prevent accidental starting.
9. Do not run the engine indoors.
10. Shut the engine off and wait until the blade comes to a complete stop before removing the grass catcher or unclogging chute.
11. Mow across the face of slopes, never up-and-down. Exercise extreme caution when changing direction on slopes. Do not mow excessively steep slopes.
12. Always disconnect electric mowers (line operated) before cleaning, repairing or adjusting.
13. Never operate mower without proper guards, plates or other safety protective devices in place.
14. Keep washout ports and other mower-housing service openings closed when mowing.
15. **DO NOT OPERATE** this mower with the chute doors open, unless the complete grass catcher is properly mounted on the mower.

MAINTENANCE AND STORAGE

1. Check the blade and engine mounting bolts at frequent intervals for proper tightness.
2. Keep all nuts, bolts, and screws tight to be sure the equipment is in safe working condition.
3. Never store the equipment with gasoline in the tank inside of a building where fumes may reach an open flame or spark. Allow the engine to cool before storing in any enclosure.
4. To reduce fire hazard, keep the engine free of grass, leaves, or excessive grease.
5. Check the grass catcher bag frequently for wear or deterioration. For safety protection, replace only with new bag meeting original equipment specifications.

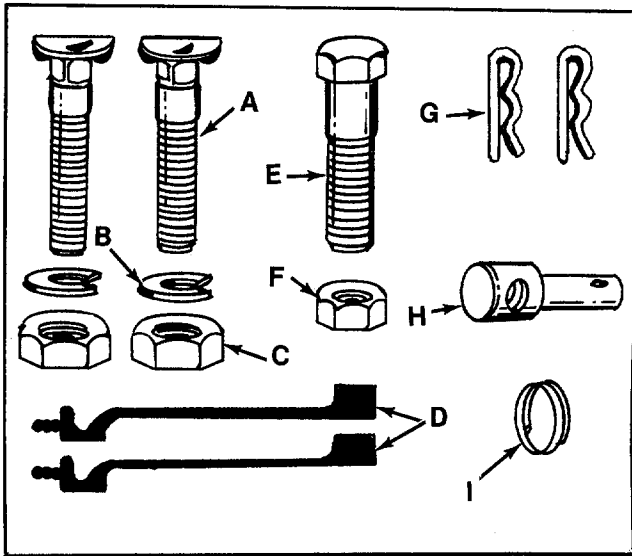


FIGURE 1.

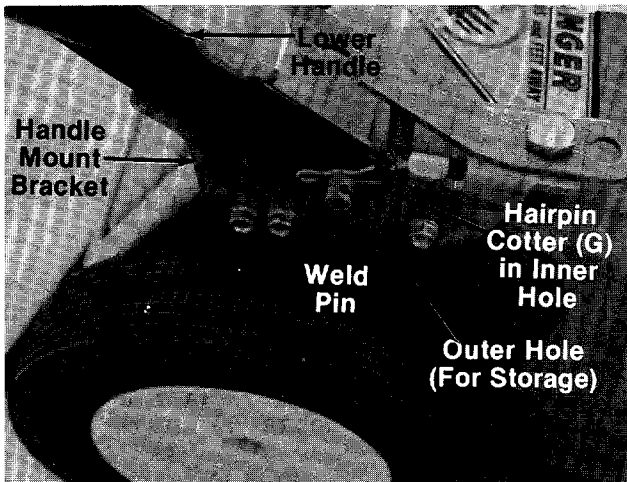


FIGURE 2.

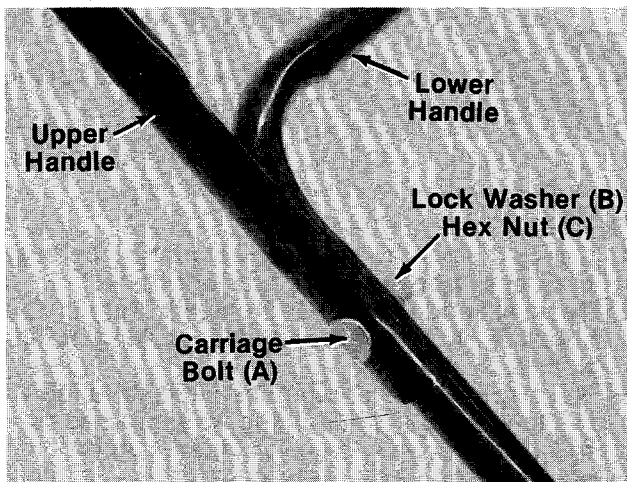


FIGURE 3.

ASSEMBLY INSTRUCTIONS



This unit is shipped WITHOUT GASOLINE or OIL. After assembly, see operating section of this manual for proper fuel and engine oil recommendations.

1. Remove lawn mower and loose parts from carton. Make certain all parts and literature have been removed from the carton before the carton is discarded.
2. Extend throttle control which is attached to the engine at the rear of the mower and place on the floor. Be careful not to bend or kink control wire.

Contents of hardware pack: (See Figure 1)

- A (2) Curved Head Carriage Bolts
- B (2) Lock Washers 5/16" I.D.
- C (2) Hex Nuts 5/16-18 Thread
- D (2) Cable Ties
- E (1) Hex Bolt 1/4-20 x 1.50" Long
- F (1) Hex Lock Nut 1/4-20 Thread
- G (2) Hairpin Cotters
- H (1) Ferrule
- I (1) Ferrule Locking Ring

- ← 3. Fasten lower handle in position over weld pins in handle mount brackets on deck. Secure with hairpin cotters (G) in inner hole on weld pin. See figure 2.



There are two (2) holes in the handle mount brackets. Place the hairpin cotter in the inner hole for operation. Outer hole is for storage.



It may be necessary to bend the ends of the lower handle inward slightly to obtain a tight fit against the handle mount brackets.

- ← 4. There are two height positions for the handle. Place upper handle in position over lower handle, selecting hole for either high or low position. Refer to figure 16. Secure upper handle with two curved carriage bolts (A), lock washers (B) and hex nuts (C). See figure 3.

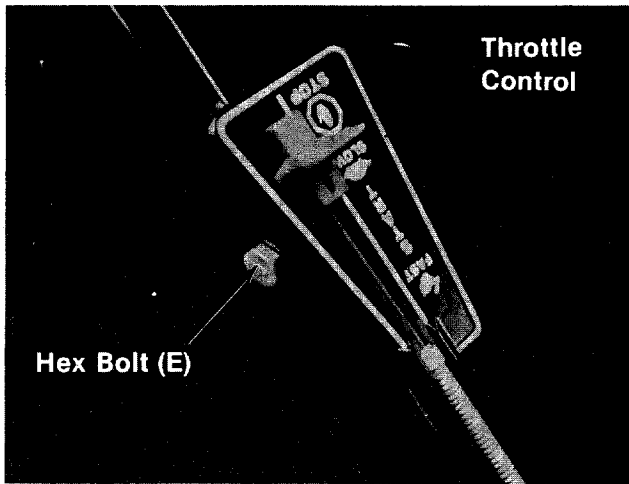


FIGURE 4.

- ← 5. Place the throttle control in position on right side of upper handle. Secure with hex bolt (E) and lock nut (F). See figure 4.



Reference to right or left hand side of the mower is observed from the operating position.

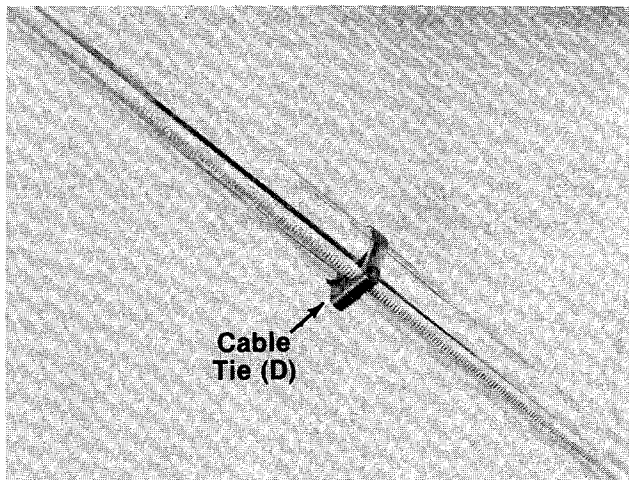


FIGURE 5.

- ← 6. Secure throttle control wire to upper and lower handles with cable ties (D). See figure 5.
7. Check ALL nuts and bolts for correct tightness.

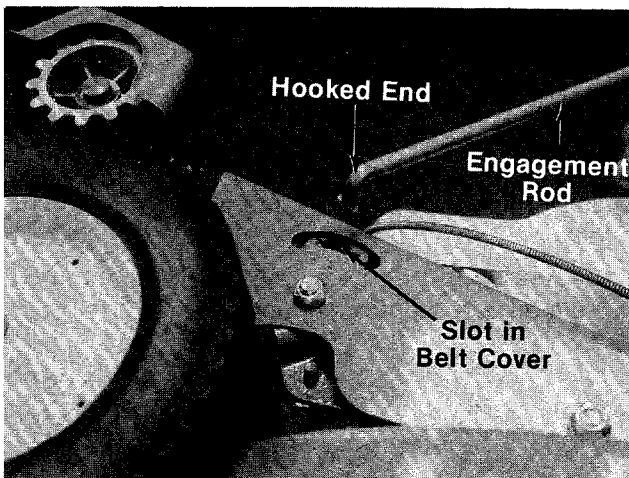


FIGURE 6.

- ← 8. Hook the end of engagement rod into idler bracket located inside slot on belt cover. See figure 6.
9. Pull the engagement rod back until the idler bracket is at the rear of the slot on belt cover.

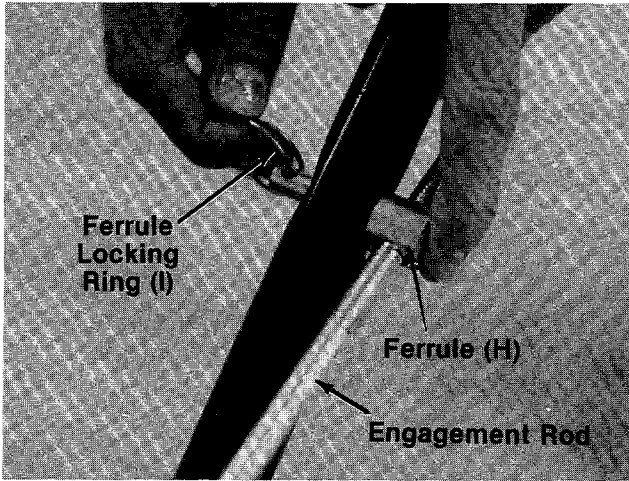


FIGURE 7.

10. With handle in the down position (released), place ferrule (H) on threaded end of engagement rod. Thread ferrule onto engagement rod until it lines up with the hole in lower handle.
11. Place ferrule into hole in lower handle. Secure with ferrule locking ring (I). See figure 7.
12. Check the engagement rod adjustment. Disconnect the spark plug wire from the spark plug. Pull the recoil starter handle without touching the mower handle. If the mower does not move forward, adjustment is correct. If the mower moves forward, remove the ferrule locking ring from the ferrule and thread in or out one turn. Repeat the above check as necessary.

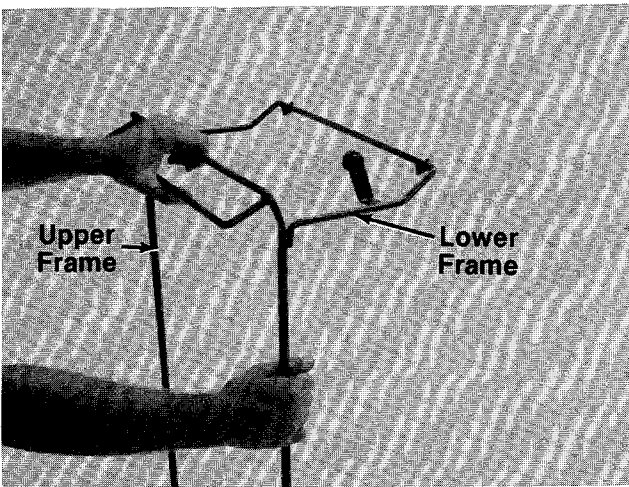


FIGURE 8.

Grass Catcher Assembly

1. Join the upper frame and lower frame assembly as shown in figure 8.

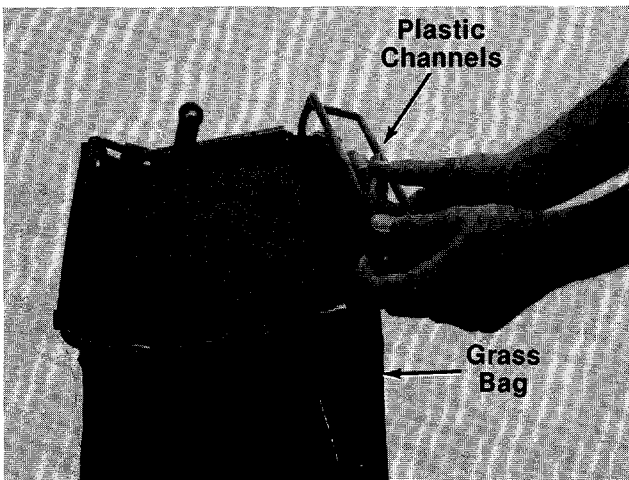


FIGURE 9.

2. Place bag over frame (black plastic side is the bottom of bag). Upper frame goes to the top of bag.
3. Secure bag to frame by slipping plastic channels on bag over frame. See figure 9.

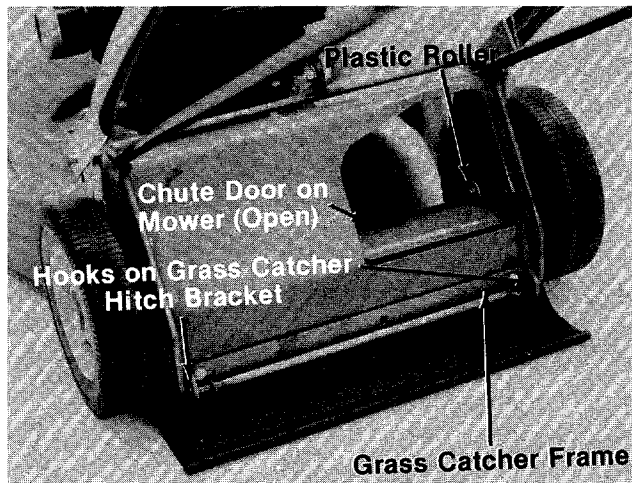


FIGURE 10.

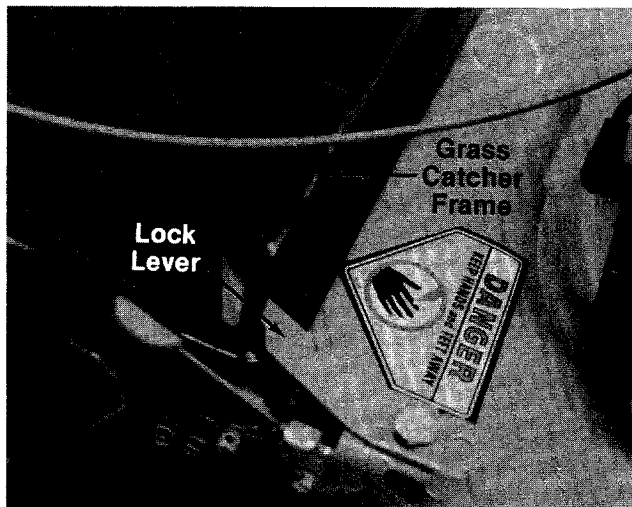


FIGURE 11.

To Attach Bag To Mower



DO NOT operate the mower with the chute door open unless the complete grass catcher is properly mounted on the mower.

- ← 1. Attach the grass catcher frame to grass catcher hitch bracket on rear of the mower by hooking grass catcher into hooks on grass catcher hitch bracket. See figure 10.
2. Lift the rear of grass catcher up. The roller on the grass catcher will push the chute door on the mower open. See figure 10.



Figure 10 is shown with the chute door open for photo clarity only.

The grass catcher frame will snap into place, secured by the lock lever. See figure 11.

- To remove the grass catcher, unhook the lock lever and slip the grass catcher off the unit. See ← figure 11.

OPERATION

DO NOT OPERATE THIS MOWER WITH THE CHUTE DOOR OPEN, UNLESS THE COMPLETE GRASSCATCHER IS PROPERLY MOUNTED ON THE MOWER.



FIGURE 12.

Keep hands and feet away from the chute area on cutting deck. See figure 12.



For shipping purposes your mower is set with the wheels in a low cutting height position. For best results, raise the cutting position until it is determined which height is best for your lawn. See adjustment section.

BREAK-IN INSTRUCTIONS

This mower should be broken in following the procedure described below. The added effort here will double the service life of the unit. Particular attention should be paid to the drive assembly adjustment.

1. Before starting the engine, lubricate all the bronze bearings on the drive shaft. The same oil which is used for the engine may be used for this.
2. Check drive assembly adjustment. Refer to step number twelve under assembly instructions.

BEFORE STARTING

1. Follow "Break-In Instructions." See above.
2. Fill sump with oil, using a high quality detergent oil classified "For Service SC, SD, SE or MS." Use SAE 30 or SAE 10W-30 viscosity grade oil. Nothing should be added to the recommended oil.

Place engine level. Remove oil fill plug. See figure 13. Fill oil sump to point of overflowing. Pour slowly. Capacity 1¼ pints.

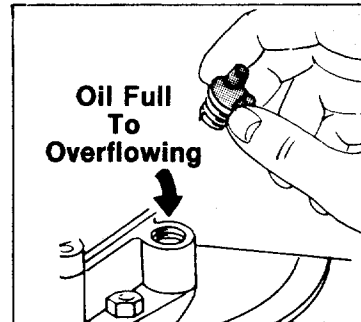


FIGURE 13.

3. Fill fuel tank, using clean, fresh, leaded **regular** grade automotive gasoline. Fill tank completely.
DO NOT MIX OIL WITH GASOLINE.

TO START ENGINE

1. Make sure handle is all the way back (free-wheeling position).
2. Move throttle control lever to "START" position.
3. Place foot on right side of deck and hold handle to prevent tipping the unit. Grasp starter handle and pull out rapidly. Return it slowly to the engine. Repeat if necessary.



When starting the unit, place the unit facing a solid object to stop it if it is not correctly adjusted to be in "Neutral" position. If the unit shows signs of motion with the handle's back in the "free-wheeling" position, shut off the engine immediately. Readjust the clutch rod as necessary. Refer to step number 12 under Assembly Instructions.

4. After engine starts, move throttle control lever to desired speed.

TO STOP ENGINE

1. Move throttle control lever to "STOP" position.
2. Remove spark plug wire from spark plug and ground to prevent accidental starting while equipment is unattended.

TO ENGAGE DRIVE

Move the handle forward for self-propelled operation.

To stop the forward drive, release the handle. The unit will be free-wheeling. Self-propelled drive is resumed when handle is raised.

This mower is designed to be operated at full throttle to give you the best cut and do the most effective job of bagging the cut grass.

Be sure that lawn is clear of stones, sticks, wire, or other objects which could damage lawn mower or engine. For best results, do not mow when lawn is excessively wet.

IMPORTANT

If you strike a foreign object, stop the engine. Remove wire from spark plug, thoroughly inspect the mower for any damage, and repair the damage before restarting and operating the mower.

ADJUSTMENTS

CAUTION

Do not at any time make any adjustment to lawn mower without first stopping engine and disconnecting spark plug wire.

CUTTING HEIGHT

An adjusting plate and thumb lever at each wheel position provides cutting height adjustment. Each adjusting plate has five holes. Height of cut will be changed when the thumb lever is moved from one hole to another. Simply depress thumb lever towards wheel and move wheel and lever assembly to desired position. All wheels must be placed in the same relative position. See figure 14.

IMPORTANT

The engagement rod must be readjusted when the cutting height on the mower is changed. See engagement rod adjustment

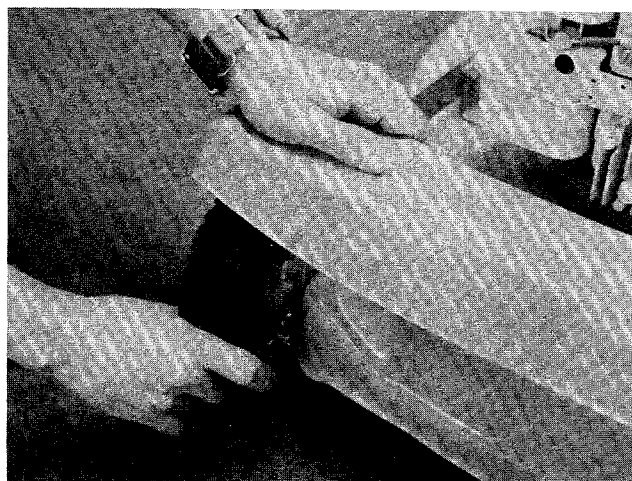


FIGURE 14.

ENGAGEMENT ROD ADJUSTMENT

To adjust the engagement rod, refer to step number twelve under assembly instructions.

The engagement rod must be adjusted each time the cutting height is changed. The ferrule will be moved toward the end of the rod as the cutting height is raised. See figure 15.

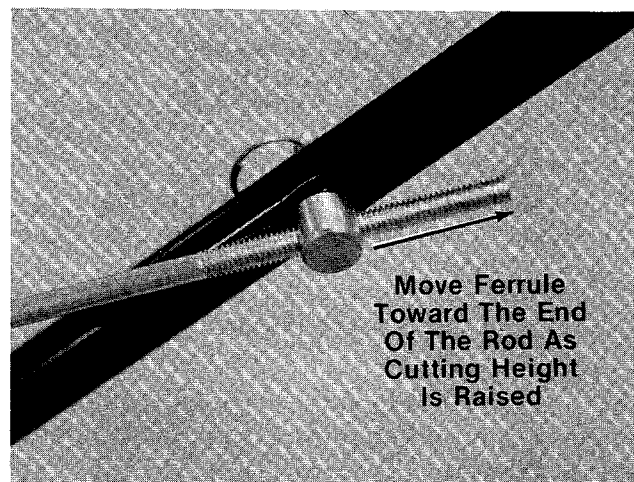


FIGURE 15.

THROTTLE

If adjustment becomes necessary, the throttle control wire assembly can be reset as follows:

1. Loosen, but do not remove, the screw securing throttle control wire assembly at engine.
2. Move throttle control lever on handle to "FAST" position.
3. Move lever to which control wire is fastened at engine to full open position. Retighten screw to secure throttle control wire assembly.

HANDLE POSITION

The upper handle can be adjusted to a high or low position. The adjustment is made by removing the two knobs or hex nuts and lock washers, removing the two curved carriage bolts and reassembling in the other position. See figure 16.

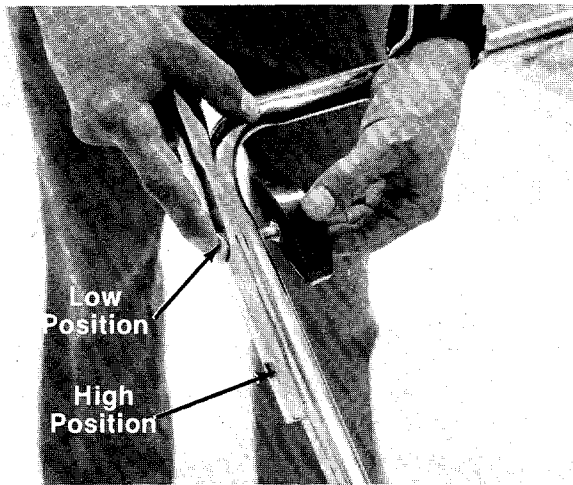


FIGURE 16.

CARBURETOR ADJUSTMENTS



If any adjustments are made to the engine while the engine is running (e.g. carburetor), disengage all clutches and blades. Keep clear of all moving parts. Be careful of heated surfaces and muffler.

Minor carburetor adjustment may be required to compensate for differences in fuel, temperature, altitude and load.

All carburetor adjustments should be made with the air cleaner on engine. Air cleaner mounting screw must be in carburetor when engine is run. Best adjustment is made with a fuel tank half full of gasoline.

To adjust carburetor, refer to the separate engine manual packed with your mower.

LUBRICATION



Always stop engine and disconnect spark plug wire before cleaning, lubricating or doing any kind of work on lawn mower.

Wheels—Wheel bearings require no lubrication. However, if the wheels are removed for any reason, lubricate the surface of the axle bolt and the inner surface of the wheel with light oil. A 4 oz. plastic bottle of light oil lubricant is available. Order part number 737-0170. Engine oil may also be used.

Engine—Follow engine manual for lubrication instructions.

Throttle—Periodically lubricate throttle control lever and throttle wire assembly with a few drops of light oil for ease of operation.

Discharge Chute Door Mechanism—The torsion spring and pivot point should be lubricated periodically with light oil to prevent any rust or binding. Door must work freely.

Bronze Bearings—Periodically lubricate all bronze bearings with a few drops of light oil to minimize friction.

MAINTENANCE

CUTTING BLADE

A. Removal for Sharpening or Replacement



Be sure to disconnect and ground the spark plug wire before working on the cutting blade to prevent accidental engine starting.

1. Remove the large bolt and lock washer which holds the blade and adapter to the engine crankshaft.
2. Remove the blade and adapter from the crankshaft. Be careful not to lose the key on the crankshaft.
3. If the blade or blade adapter needs replacing, remove the two small bolts, lock washers and nuts which hold the blade to the adapter.

B. Sharpening

Remove the cutting blade by following the directions of the preceding section.

When sharpening the blade, follow the original angle of grind as a guide. It is **extremely important** that each cutting edge receives an equal amount of grinding to prevent an unbalanced blade. An unbalanced blade will cause excessive vibration when rotating at high speeds, may cause damage to the mower and could break, causing personal injury.

The blade can be tested for balance by balancing it on a round shaft screwdriver. Remove metal from the heavy side until it balances evenly.



NOTE

It is recommended that the blade always be removed from the adapter for the best test of balance.

C. Reassembly

Before reassembling the blade and the blade adapter to the unit, lubricate the engine crankshaft and the inner surface of the blade adapter with light oil. Lubricating the bolt holes, bolts and inner surface of the nuts with light oil is also recommended. A 4 oz. plastic bottle of light oil lubricant is available. Order part number 737-0170. Engine oil may also be used.

When replacing the blade, be sure to install the blade with the side of the blade marked "Bottom" (or with part number) facing the ground when the mower is in the operating position. Make certain key is in place on the crankshaft.

Blade Mounting Torque

3/8" Dia. Bolt 375 in. lb. min., 450 in. lb. max.
5/16" Dia. Bolt 150 in. lb. min., 250 in. lb. max.

To insure safe operation of your unit, ALL nuts and bolts must be checked periodically for correct tightness.

DECK

The underside of mower deck should be cleaned after each period of use as grass clippings, leaves, dirt and other matter will accumulate. This accumulation of grass clippings, etc., is undesirable as it will invite rust and corrosion and may cause an uneven discharge of grass clippings at the next cutting.

The deck may be cleaned by tilting the mower forward or on its side and scraping clean with a suitable tool or by washing with a stream of water from a garden hose.



CAUTION

Do not direct the stream of water at a hot engine as damage to the engine may result.

ENGINE OIL

Check oil level before starting engine and after every 5 hours of operation. ADD oil as necessary to keep level to FULL to point of overflowing.

Before removing oil fill plug, clean area around plug to prevent dirt from entering oil fill hole. Engine should be in a level position when checking oil.

Change oil after first 5 hours of operation. Thereafter change every 25 hours. Change oil while engine is warm. Oil may be drained thru oil fill hole by tipping the unit on its side. Oil capacity 1-1/4 pints.

AIR CLEANER

Service air cleaner every 25 hours under normal conditions. Clean every few hours under extremely dusty conditions. Poor engine performance and flooding usually indicates that the air cleaner should be serviced.

To service the air cleaner, refer to the separate engine manual packed with your unit.

SPARK PLUG

The spark plug should be cleaned and the gap reset once a season. Spark plug replacement is recommended at the start of each mowing season; check engine manual for correct plug type and gap specification.

BELT REPLACEMENT (See Figure 17)



IMPORTANT

Always stop engine and disconnect spark plug wire before performing any repairs or maintenance on the mower.

1. Remove the drive pinion cover by removing three hex self-tapping screws. A 3/8" wrench is required.
2. Remove both tension springs. See figure 17.
3. Using a screwdriver, remove the E-rings and pinions on both wheels.
4. Remove the shoulder bolt, lock washers and nut on the belt cover.
5. Remove the engagement rod.
6. Slide the belt cover to the left.
7. Unhook the belt from the idler and the pulleys.
8. Remove the shoulder bolt, lock washer and nut from the cover support bracket.
9. Remove belt and reassemble in reverse order with a new belt.

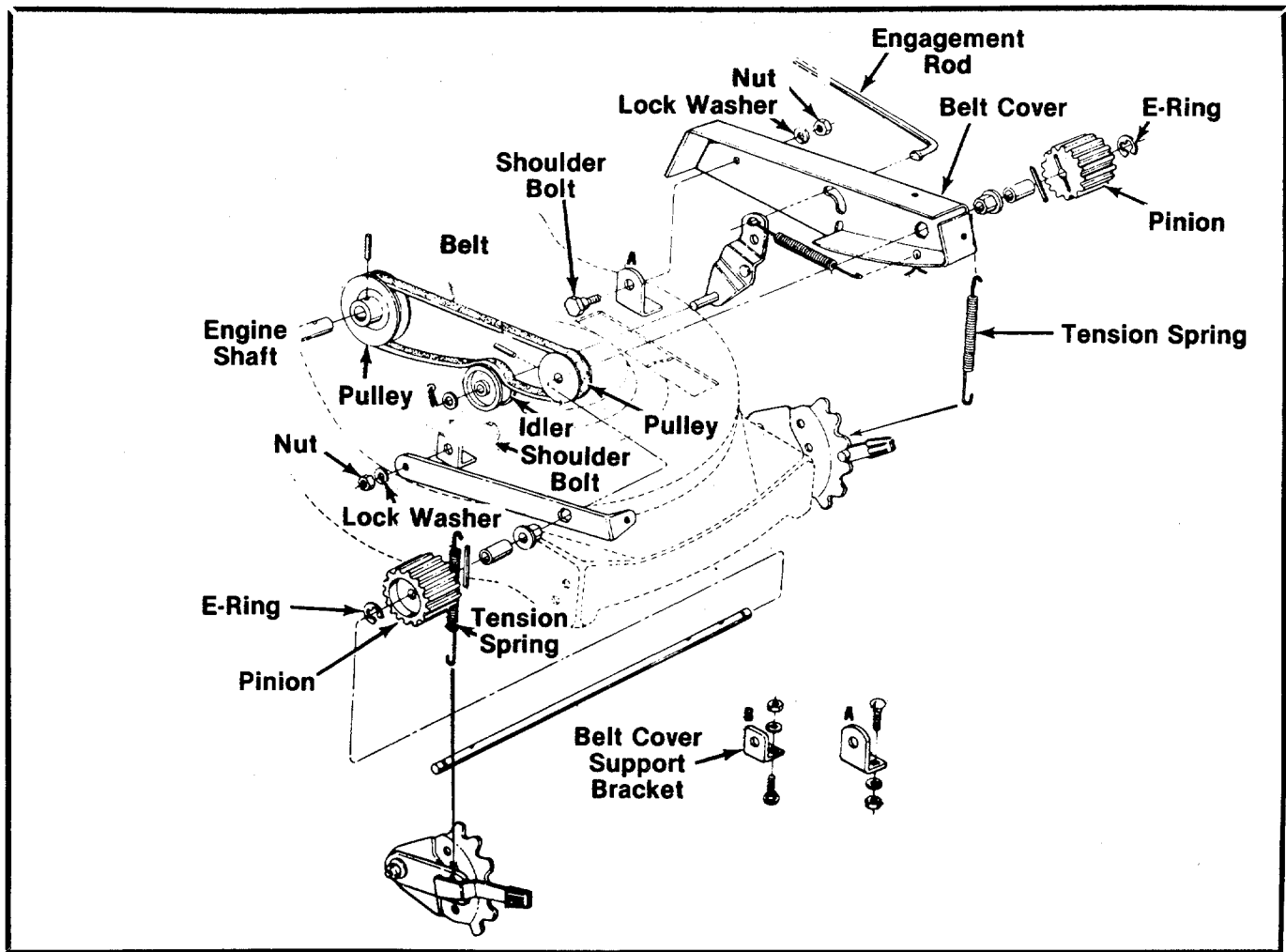


FIGURE 17.

HANDLE STORAGE

The handle can be stored in an upright position to take less space. Remove engagement rod. Move hairpin cotters to outer hole on weld pins (see figure 2). Grasp the lower handle at the bottom and pull apart slightly. Tip the handle forward. It will lock in this position. Reverse this procedure to place the handle in the operating position.



Be certain to check engagement rod adjustment.

OFF-SEASON STORAGE

If the machine is to be inoperative for a period longer than 30 days, the following procedures are recommended:

1. Working outdoors, drain all fuel from the fuel tank. Use a clean dry cloth to absorb the small amount of fuel remaining in the tank. Then run the engine until all fuel in the carburetor is exhausted.



Do not drain fuel while smoking, or if near an open fire.

2. Drain all the oil from the crankcase (this should be done after the engine has been operated and is still warm). Refill the crankcase with clean new oil.
3. Disconnect the spark plug wire and remove the spark plug from the cylinder. Pour about 2 or 3 tablespoons of engine oil into the cylinder. Turn the engine over several times to spread out the oil. Replace the spark plug, but do not connect the wire.
4. Clean the engine and the entire mower thoroughly.
5. Lubricate all lubrication points.



NOTE

The use of any accessory on this Rotary Mower other than those manufactured by the mower manufacturer is **not** recommended.



DO NOT operate the mower with the chute door open unless the complete grass catcher is properly mounted on the mower.



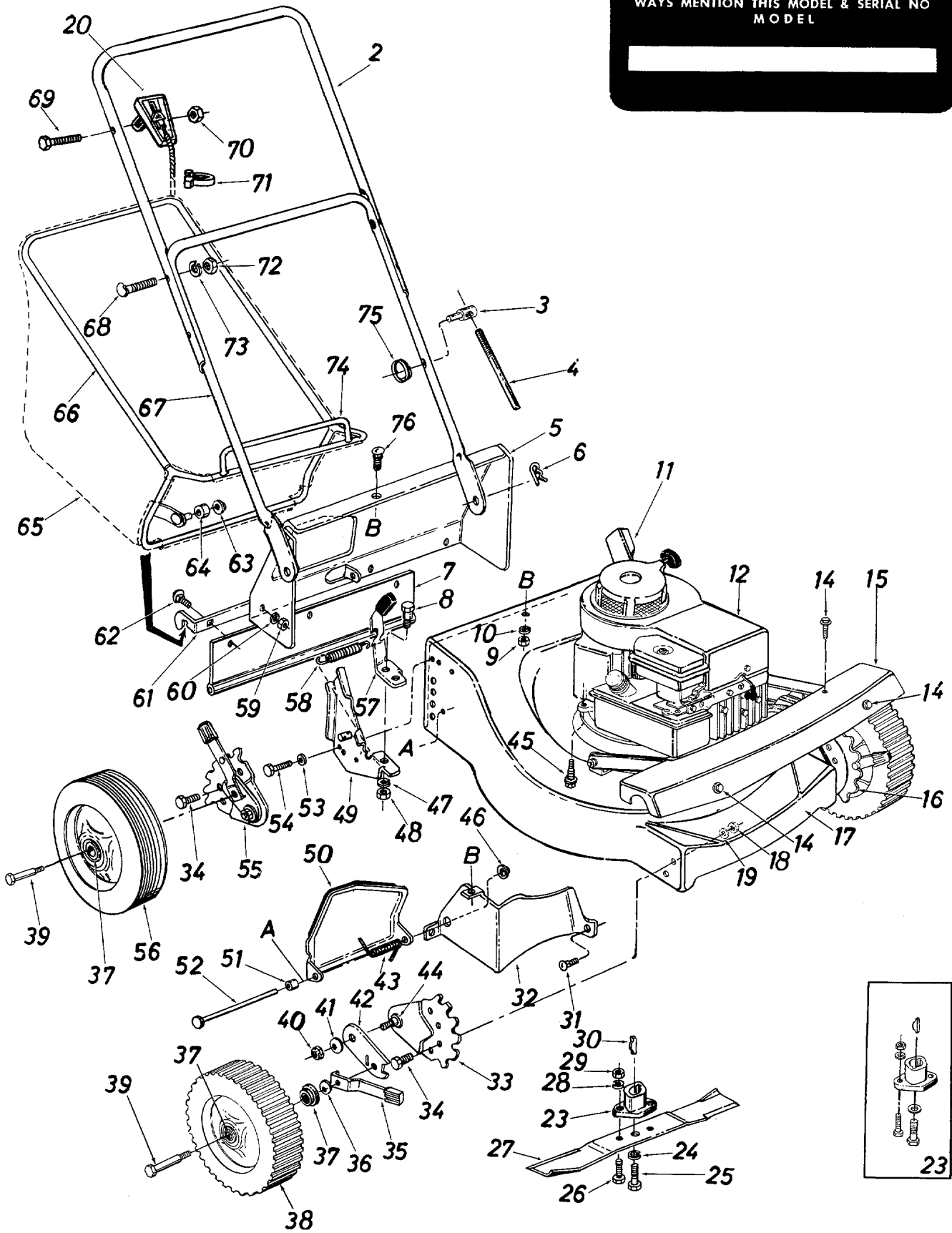
NOTE

Under normal usage bag material is subject to wear and should be checked periodically. Be sure any replacement bag complies with the mower manufacturer's recommendations.

For replacement bags, use only factory authorized replacement bag No. 764-0171.

Model 320

IF YOU WRITE TO US ABOUT THIS ARTICLE
OR IF YOU ORDER REPLACEMENT PARTS AL-
WAYS MENTION THIS MODEL & SERIAL NO
MODEL



Model 320

PARTS LIST FOR MODEL 320 ROTARY MOWER

REF. NO.	PART NO.	COLOR CODE	DESCRIPTION	NEW PART	REF. NO.	PART NO.	COLOR CODE	DESCRIPTION	NEW PART
2	749-0380		Upper Handle		43	732-0346		Torsion Spring	
3	711-0570		Ferrule		44	738-0269		Shld. Bolt .500" Dia. x .285	
4	747-0267		Clutch Rod		45	710-0654		Hex Wash. Hd. Self-Tap Scr. 3/8-16 x .88" Lg.	
5	14585	—486	Rear Deck Section	N	46	726-0106		Cap Speed Nut 1/4" Rod	
6	714-0104		Hairpin Cotter		47	736-0119		L-Wash. 5/16" I.D.*	
7	731-0432		Rear Flap		48	712-0267		Hex Nut 5/16-18 Thd.*	
8	738-0155		Shld. Bolt .437" Dia. x .162" Lg.		49	14752		Handle Mount Brkt. Ass'y.—R.H.	N
9	712-0287		Hex Nut 1/4-20 Thd.*		50	13407		Chute Door	
10	736-0329		L-Wash. 1/4" I.D.*		51	750-0218		Spacer .262" I.D. x .31" O.D. x .58" Lg.	
11	14158		Handle Mount Brkt. Ass'y.—L.H.		52	738-0386		Hinge Pin .25" Dia. x 7.88" Lg.	
12	—		Engine		53	736-0142		FI-Wash. .281" I.D. x .50" O.D. x .063	
14	710-0599		Hex Wash. Hd. Self-Tap Scr. 1/4-20 x .50" Lg.		54	710-0776		Hex Wash. Hd. Self-Tap Scr. 1/4 x .62" Lg.	
15	12982	—486	Drive Cover		55	12322		Height Adjuster Ass'y. Comp.—R.H.	
16	12321		Height Adjuster Ass'y. Comp.—L.H.	N	56	734-0894		Rear Wheel Ass'y. Comp.—8 x 1.75	
17	14503	—486	20" Deck Ass'y.		57	14845		Grass Catcher Lock Lever	N
18	712-0798		Hex Nut 3/8-16 Thd.*		58	732-0357		Extension Spring .33" O.D. x 1.12" Lg.	
19	736-0169		L-Wash. 3/8" I.D.*		59	712-0271		Hex Sems Nut 1/4-20 Thd.	
20	746-0316		Throttle Control Ass'y.—Comp.		60	736-0211		FI-Wash. .285" I.D. x 1.25" O.D.	
23	10769		Blade Adapter Kit		61	14012		Grass Catcher Hitch Brkt.	
24	736-0217		L-Wash. 3/8" I.D. Heavy Duty		62	710-0703		Carriage Bolt 1/4-20 x .75" Lg.*	
25	710-0459		Hex Bolt 3/8-24 x 1.50" Lg. (Grade 5)		63	726-0100		Cap Speed Nut 3/8" Rod	
26	710-0117		Hex Bolt 5/16 - 24 x 1.00" Lg. (Grade 5)		64	731-0430		Plastic Roller	
27	742-0123		20" Blade		65	764-0171		Grass Bag	
28	736-0119		L-Wash. 5/16" I.D.*		66	749-0278		Grass Catcher Upper Fame	
29	712-0123		Hex Nut 5/16-24 Thd.*		67	749-0494		Lower Handle	
30	714-0365		#6 Hi-Pro Key 5/32 x 5/8" Dia.		68	710-0671		Curved Hd. Carriage Bolt 5/16-18 x 1.38" Lg.	
31	710-0167		Carriage Bolt 1/4-20 x .50" Lg.*		69	710-0606		Hex Bolt 1/4-20 x 1.50" Lg.*	
32	14586	—486	Rear Baffle	N	70	712-0107		Hex Cent. L-Nut 1/4-20 Thd.	
33	12323		Index Plate		71	726-0188		Cable Tie	
34	710-0209		Hex Sems Bolt 3/8-16 x .62" Lg.*		72	712-0267		Hex Nut 5/16-18 Thd.*	
35	10530		Spring Lever Ass'y. w/Knob		73	736-0119		L-Wash. 5/16" I.D.*	
36	736-0105		Belleville Wash. 3/8" I.D.		74	14582		Lower Grass Catcher Fame Ass'y.	N
37	741-0262		Fortiflex Bearing		75	714-0150		Ferrule Locking Ring	
38	734-0538		Front Wheel Ass'y.—Comp. 8 x 1.75		76	710-0167		Carriage Bolt 1/4-20 x .50" Lg.*	
39	738-0102		Axle Bolt						
40	712-0375		Hex Cent. L-Nut 3/8-16 Thd.						
41	736-0255		Belleville Wash. .515" I.D. x 1.14" O.D.						
42	10619		Pivot Bar						

*For faster service obtain standard nuts, bolts and washers locally. If these items cannot be obtained locally, order by part number and size as shown on parts list.

(486—Star Orange)

When ordering parts, if color or finish is important, use the appropriate color code shown above. (e.g. Star Orange Finish—12982 (486).)

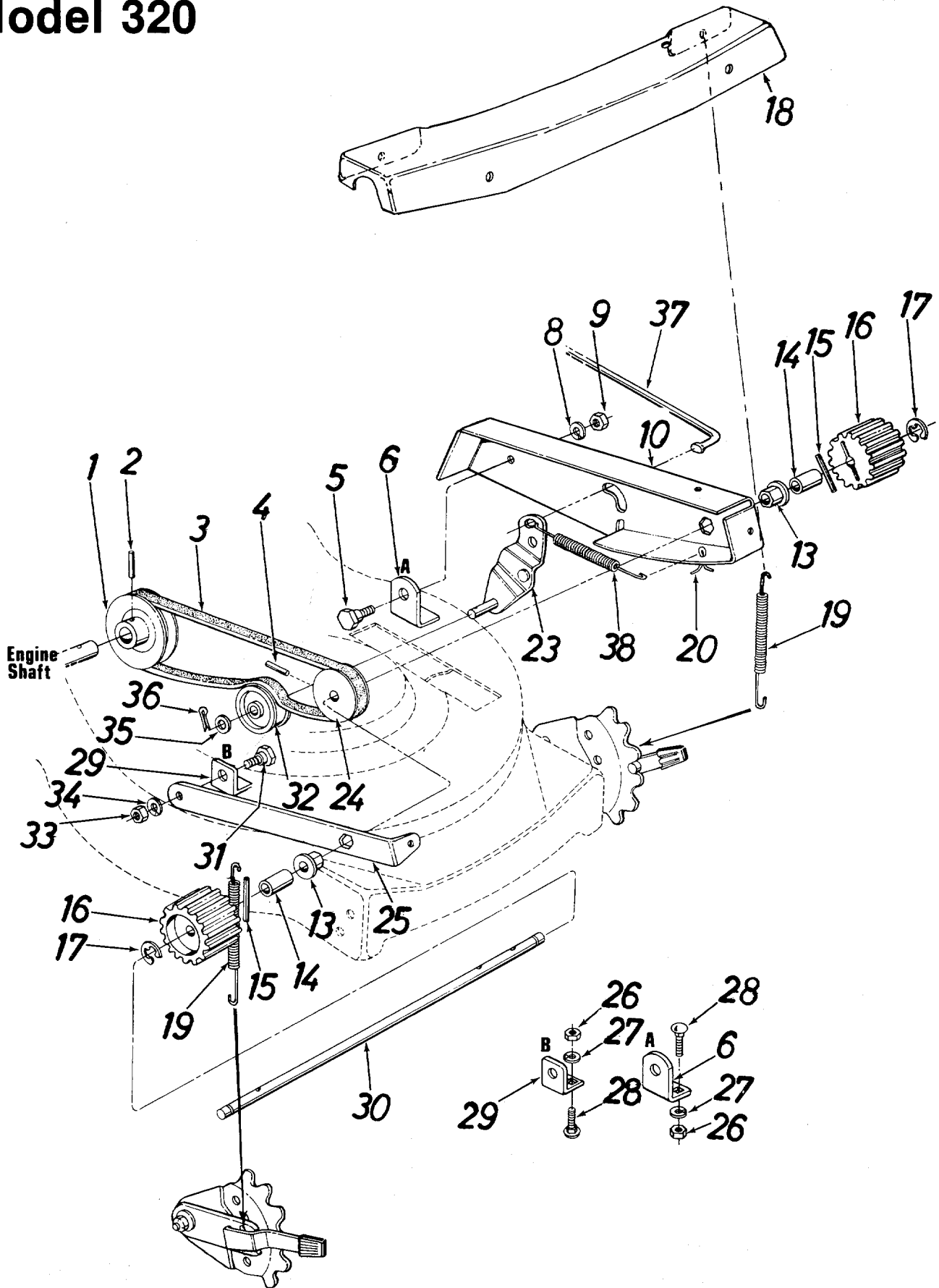
NOTE: The engine is not under warranty by the mower manufacturer... If repairs or service is needed on the engine, please contact your nearest authorized engine service outlet. Check the "Yellow Pages" of your telephone book under "Engines—Gasoline."

**Find It Fast
In The
Yellow Pages**



This instruction manual covers various models and all specifications shown do not necessarily apply to your model. Specifications subject to change without notice or obligation.

Model 320



Model 320

PARTS LIST FOR MODEL 320 ROTARY MOWER

REF. NO.	PART NO.	COLOR CODE	DESCRIPTION	NEW PART
1	756-0289		1/2 "V"-Engine Pulley	
2	715-0246		Spring Pin Spiral 3/16" Dia. x 1.25" Lg.	
3	754-0163		"V"-Belt 1/2" x 28.0" Lg.	
4	715-0247		Spring Pin Spiral 3/16" Dia. x 1.00" Lg.	
5	738-0147		Shld. Bolt .500 Dia. x .170	
6	12978		Belt Cover Pivot Brkt.	
7	738-0147		Shld. Bolt .500 Dia. x .170	
8	736-0169		L-Wash. 3/8" I.D.*	
9	712-0342		Hex Jam Nut 3/8-16 Thd.	
10	13613	—486	Belt Cover Ass'y.	
11	736-0169		L-Wash. 3/8" I.D.*	
12	712-0342		Hex Jam Nut 3/8-16 Thd.	
13	748-0228		Hex Flange Brg. .503 I.D.	
14	711-0313		Spacer .52 I.D. x .69 O.D. x .88	
15	715-0246		Spring Pin Spiral 3/16 Dia. x 1.25" Lg.	
16	731-0393		13 Teeth Drive Pinion	
17	716-0104		"E"-Ring for .500 Dia. Shaft	
18	12982	—486	Cover	
19	732-0264		Extension Spring .38 O.D. x 2.50" Lg.	
20	714-0115		Cotter Pin	
23	13608		Idler Brkt. Ass'y.	
24	756-0290		1/2 "V"-Pulley	
25	12980		Cover Support Brkt.	
26	712-0287		Hex Nut 1/4-20 Thd.*	
27	736-0329		L-Wash. 1/4" I.D.*	
28	710-0167		Carriage Bolt 1/4-20 x .500" Lg.	
29	12979		Cover Support Pivot Brkt.	
30	738-0356		Pinion Shaft	
31	738-0147		Shld. Bolt .500 Dia. x .170	
32	756-0360		Plastic Flat Idler	
33	712-0342		Hex Jam Nut 3/8-16 Thd.*	
34	736-0169		L-Wash. 3/8" I.D.*	
35	736-0150		FI-Wash. .53 I.D. x .94 O.D.	
36	714-0115		Cotter Pin 1/8" Dia. x 1.00" Lg.*	
37	747-0267		Engagement Rod	
38	732-0395		Extension Spring	

*For faster service obtain standard nuts, bolts and washers locally. If these items cannot be obtained locally, order by part number and size as shown on parts list.

(486—Star Orange) When ordering parts, if color or finish is important, use the appropriate color code shown at left. (e.g. Star Orange Finish—12609(486).)

The engine is not under warranty by the mower manufacturer. If repairs or service is needed on the engine, please contact your nearest authorized engine service outlet. Check the "Yellow Pages" of your telephone book under "Engines—Gasoline."



PARTS INFORMATION

POWER EQUIPMENT PARTS AND SERVICE

Parts and service for all MTD manufactured power equipment are available through the authorized service firms listed below. All orders should specify the model number of your unit, part numbers, description of parts and the quantity of each part required.

NOTE: If any parts are found to be missing or defective upon assembly of this unit, write to advise the factory so that immediate replacement can be made.

ALABAMA	BIRMINGHAM	
Auto Electric & Carburetor Co.	2625 4th Ave. S.	35233
ARKANSAS	FORT SMITH	
Mity Mite Motors, Inc.	4515 S. 16th St.	72901
	NORTH LITTLE ROCK	
Sutton's Lawn Mower Shop	Rt. 4, Box 368	72117
CALIFORNIA	PORTERVILLE	
Billious	75 North D Street	93257
COLORADO	DENVER	
Spitzer Industrial Products Co.	6601 N. Washington St., Box 29114	80229
FLORIDA	JACKSONVILLE	
Radco Distributors	4909 Victor St., Box 5459	32207
	OPA LOCKA	
Small Eng. Dist.	2351 N.W. 147th St.	33054
GEORGIA	EAST POINT	
East Point Cycle & Key	2834 Church St.	30344
ILLINOIS	LYONS	
Keen Edge Co.	8615 Ogden Ave.	60534
INDIANA	ELKHART	
Parts & Sales Inc.	2101 Industrial Pkwy.	46514
IOWA	DUBUQUE	
Power Lawn & Garden Equip.	2551 J.F. Kennedy	52001
LOUISIANA	NEW ORLEANS	
Suhren Engine Co.	8330 Earhart Blvd.	70118
MARYLAND	TAKOMA PARK	
Center Supply Co.	6867 New Hampshire Ave.	20012
MASSACHUSETTS	SPRINGFIELD	
Morton B. Collins Co.	300 Birnie Ave.	01107
MICHIGAN	LANSING	
Lorenz Service Co.	2500 S. Pennsylvania ..	48910
	MOUNT CLEMENS	
Power Equipment Dist.	340 Hubbard	48043
MINNESOTA	HOPKINS	
Hance Distributing Inc.	420 Excelsior Ave. W.	55343
MISSISSIPPI	BILOXI	
Biloxi Sales & Service, Inc.	506 Caillavet St.	39533
MISSOURI	KANSAS CITY	
Automotive Equip. Service	3117 Holmes St.	64109
	ST. JOSEPH	
Ross-Frazier Supply Co.	8th and Monterey	64503
	ST. LOUIS	
Henzler, Inc.	2015 Lemay Ferry Rd.	63125
NEW JERSEY	BELLMAWR	
Lawnmower Parts Inc.	717 Creek Rd.	08030
NEW MEXICO	ALBUQUERQUE	
Spitzer Eng. & Parts	1023 Third St. N.W.	87103
NEW YORK	CARTHAGE	
Gamble Dist., Inc.	West End Ave.	13619

BRIGGS AND STRATTON, TECUMSEH AND PEERLESS PARTS AND SERVICE

Briggs & Stratton, Tecumseh and Peerless parts and service should be handled by your nearest authorized engine service firm. Check the yellow pages of your telephone directory under the listing **Engines—Gasoline**, Briggs & Stratton or Tecumseh Lauson.

NORTH CAROLINA	GOLDSBORO
Smith Hardware Co.	515 N. George St.
	27530
	GREENSBORO
Dixie Sales Company	335 N. Green
	27402
OHIO	CARROLL
Stebes's Mid-State Mower Supply ..	71 High St., Box 366 ..
	43112
	CLEVELAND
Bleckrie, Inc.	7900 Lorain Ave.
	44102
	WADSWORTH
National Central	687 Seville Rd.
	44281
	YOUNGSTOWN
Burton Supply Co.	1301 Logan Ave., Box 929
	44501
OKLAHOMA	MUSKOGEE
Victory Motors, Inc.	605 S. Cherokee
	74401
OREGON	PORTLAND
Kenton Supply Co.	8216 N. Denver Ave.
	97217
PENNSYLVANIA	HARRISBURG
EECO Inc.	4021 N. 6th St.
	17110
	PHILADELPHIA
Thompson Rubber Co.	5222-24 N. Fifth St.
	19120
	PITTSBURGH
Bluemont Co.	11125 Frankstown Rd.
	15235
	PUNXSUTAWNEY
Frank Roberts & Sons	R.D. 2
	15767
TENNESSEE	KNOXVILLE
Master Repair Service	2000 Western Ave.
	37921
	MEMPHIS
American Sales & Service, Inc.	3035-43 Bellbrook
	38116
TEXAS	DALLAS
Marr Brothers, Inc.	423 E. Jefferson
	75203
	FORT WORTH
Woodson Sales Corp.	1702 N. Sylvania
	76111
	HOUSTON
Bullard Supply Co.	2409 Commerce St.
	77003
UTAH	SALT LAKE CITY
A-1 Engine & Mower Co.	437 E. 9th St.
	84111
VERMONT	BURLINGTON
Vermont Hdwe. Co. Inc.	180 Flynn Ave.
	05401
VIRGINIA	ASHLAND
RBI Corp.	Lake Ridge Park, 101 Cedar Run Dr.
	23005
WASHINGTON	SEATTLE
Bailey's Inc.	1414 14th Ave.
	98102
WEST VIRGINIA	CHARLESTON
Young's, Inc.	233 Virginia St., E.
	25301
WISCONSIN	MARSHFIELD
Power Pac	301 E. 29th St.
	54449

WARRANTY PARTS AND SERVICE POLICY

The purpose of warranty is to protect the customer from defects in workmanship and materials, defects which are NOT detected at the time of manufacture. It does not provide for the unlimited and unrestricted replacement of parts. Use and maintenance are the responsibility of the customer. The manufacturer cannot assume responsibility for conditions over which it has no control. Simply put, if it's the manufacturer's fault, it's the manufacturer's responsibility; if it's the customer's fault, it's the customer's responsibility.

CLAIMS AGAINST THE MANUFACTURER'S WARRANTY INCLUDES:

1. Replacement of Missing Parts on new equipment.
2. Replacement of Defective Parts within the warranty period
3. Repair of Defects within the warranty period.

All claims MUST be substantiated with the following information:

1. Model Number of unit involved.
2. Date unit was purchased or first put into service.
3. Date of failure.
4. Nature of failure.