

SELF-PROPELLED ROTARY MOWER

Model Nos.

122-280 (RECOIL START)

122-282 (ELECTRIC START)

IMPORTANT

SAFE OPERATION PRACTICES - WALK BEHIND MOWERS

TRAINING

1. Read the Operating and Service Instruction Manual carefully. Be thoroughly familiar with the controls and proper use of the equipment.
2. Never allow children to operate a power mower.
3. Keep the area of operation clear of all persons, particularly small children, and pets.

PREPARATION

1. Thoroughly inspect the area where the equipment is to be used and remove all stones, sticks, wire, bones and other foreign objects.
2. Do not operate equipment when barefoot or wearing open sandals. Always wear substantial footwear.
3. Check fuel before starting engine. Do not fill gasoline tank indoors, when engine is running, or while engine is still hot. Wipe off any spilled gasoline before starting engine.
4. Disengage self-propelled mechanism or drive clutch on units so equipped before starting engine (motor).
5. Never attempt to make a wheel height adjustment while engine (motor) is running.
6. Mow only in daylight or in good artificial light.
7. Never operate equipment in wet grass. Always be sure of your footing; keep a firm hold on the handle and walk; never run.

OPERATION

1. Do not change engine governor settings or overspeed engine.
2. Do not put hands or feet near or under rotating parts. Keep clear of discharge opening at all times.
3. Stop blade(s) when crossing gravel drive, walks or roads.
4. After striking a foreign object, stop the engine (motor), remove wire from spark plug, thoroughly inspect the mower for any damage, and repair the damage before restarting and operating the mower.

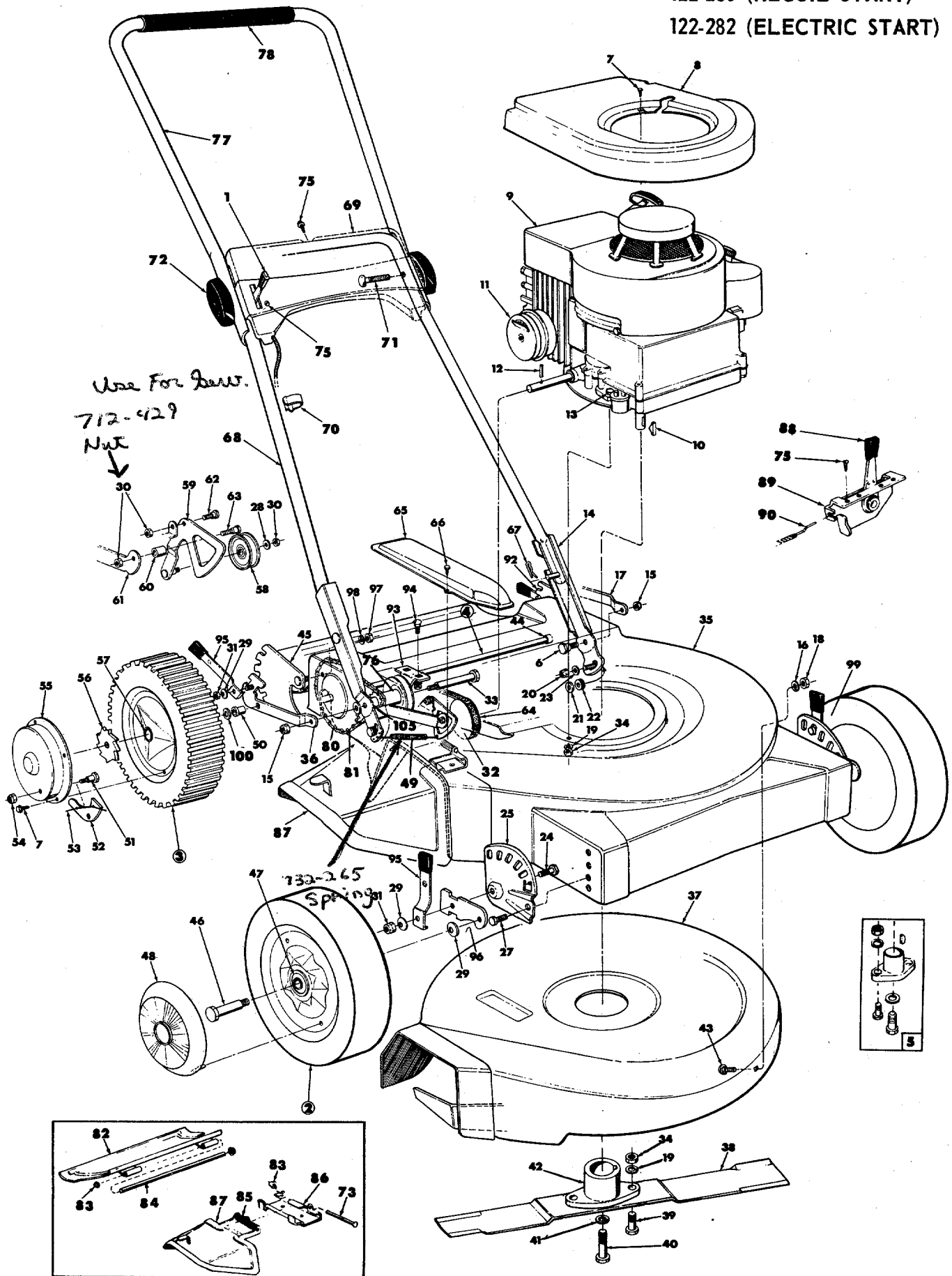
5. If the equipment should start to vibrate abnormally, stop the engine (motor) and check immediately for the cause. Vibration is generally a warning of trouble.
6. Stop engine (motor) whenever you leave the equipment, before cleaning mower housing, and when making any repairs or inspections.
7. When cleaning, repairing or inspecting, make certain blade and all moving parts have stopped. Disconnect spark plug wire and keep wire away from plug to prevent accidental starting.
8. Do not run engine (motor) indoors.
9. Shut engine (motor) off and wait until blade comes to a complete stop before removing grass catcher and/or unclogging chute.
10. Mow across the face of slopes, never up-and-down. Exercise extreme caution when changing direction on slopes. Do not mow excessively steep slopes.
11. Always disconnect electric mowers (line operated) before cleaning, repairing, or adjusting.
12. Never operate mower without proper guards, plates or other safety protective devices in place.
13. Keep washout ports and other mower housing service openings closed when mowing.

MAINTENANCE AND STORAGE

1. Check blade and engine mounting bolts at frequent intervals for proper tightness.
2. Keep all nuts, bolts, and screws tight to be sure equipment is in safe working condition.
3. Never store equipment with gasoline in the tank inside of a building where fumes may reach an open flame or spark. Allow engine to cool before storing in any enclosure.
4. To reduce fire hazard keep engine free of grass, leaves or excessive grease.
5. Check grass catcher bags frequently for wear or deterioration. Replace with new bags for safety protection.

122-280 (RECOIL START)

122-282 (ELECTRIC START)



PARTS LIST FOR MODEL NO. 122-280 AND 122-282

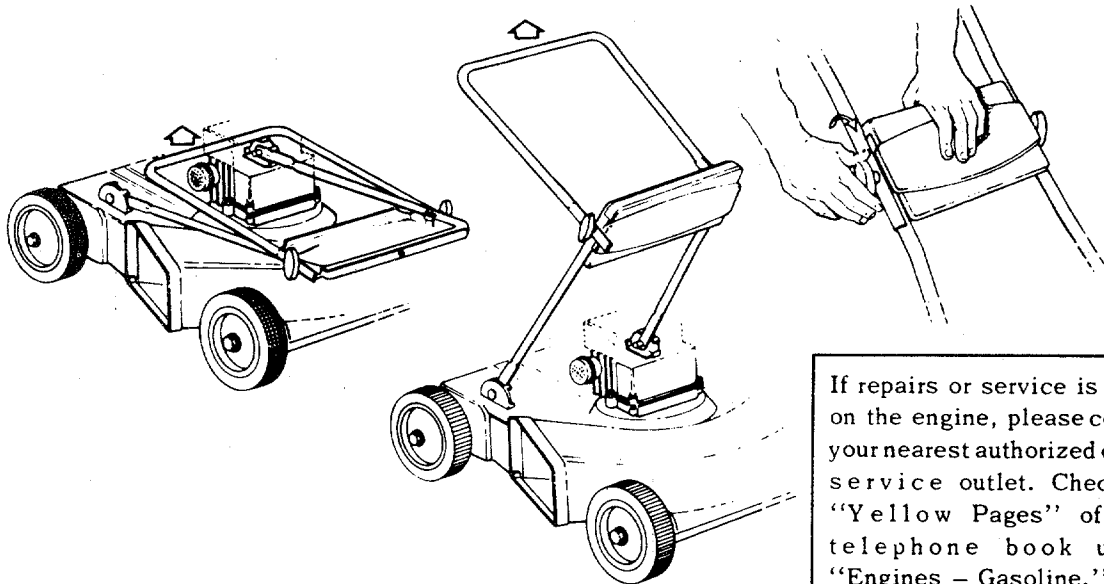
Ref. No.	Part No.	DESCRIPTION	Ref. No.	Part No.	DESCRIPTION
1	11611	Throttle Control Assembly Complete	52	748-188	Pawl - Rear Wheel
2	513-9392	Front Wheel Assembly Complete	53	10622	Nylon Spring
3	503-9392	Rear Wheel Assembly Complete	54	712-267	Hex Elastic Stopnut 5/16-18 Thd.
4	10646	Rear Axle Assembly Complete	55	10647	Hub Cap - Rear Wheel
5	10769	Blade Adapter Kit	56	748-187	Ratchet - Rear Wheel
6	710-334	Shoulder Bolt - Special	57	748-125	Sintered Bearing - Rear Wheel
7	710-407	Slotted Hex Washer Ext. Scw. #8-32 x 1/2" Lg.	58	756-111	Idle Pulley 756-0370
8	10612	Engine Shroud (122-280)	59	10652	Cam Assembly
	10611	Engine Shroud (122-282)	60	750-122	Sleeve
9	----	Engine	61	10650	Pivot Arm Assembly
10	714-365	Key Hi Pro #505	62	711-118	Shoulder bolt - Special
11	310-9278	Exhaust Deflector	63	711-105	Shoulder Bolt - Special
12	715-120	Spirol Pin 3/16" Dia. x 1" Lg.	64	754-114	"V" Belt 1/2 x 24" Lg.
13	710-158	Hex Hd. Cap Scw. 5/16-24 x 1-1/4" Lg.*	65	10645	Belt Guard Cover
14	10627	Left Hand - Handle Extension Assembly	66	710-224	Hex Hd. Self Tap Scw. #10 x 1/2" Lg. *
	10650	Right Hand - Handle Extension Assembly	67	714-104	Hair Pin Cotter
15	712-267	Hex Elastic Stopnut 5/16-18 Thd.	68	10008	Lower Handle
16	736-119	Spring Lockwasher 5/16 Scw. *	69	11606	Handle Panel (122-280)
17	10638	Rear Height Pivot Bracket Ass'y. - L.H.		11607	Handle Panel (122-282)
18	712-181	Hex Top Lock Nut 3/8-16 Thd. *	70	746-128	Cable Clip
19	736-119	Spring Lockwasher 5/16 Scw. *	71	710-405	Curved Hd. Scw. 5/16-18 x 1-3/4" Lg.
20	712-372	Hex Center Locknut 5/16 Thd.	72	305-9966	Knob - Handle Assembly
21	736-159	Flat Washer 5/16 I.D. *	73	711-555	Pivot Pin
22	736-155	Rubber Washer	75	710-407	Slotted Hex Washer Hd. Ext. Scw. #8-32 x 1/2" Lg.
23	736-159	Flat Washer 5/16 I.D. *	76	756-159	Split Pulley with Sprocket
24	711-498	Weld Bolt - Special	77	10011	Upper Handle
25	10934	Index Plate Assembly - R.H. - Front	78	718-144	Grip
26	10951	Height Adjuster Assembly Complete-R.H.	79	312-7299	Oil Fill Trough (Not Shown)
27	710-209	Sem Hex Hd. Cap Scw. 3/8-16 x 5/8" Lg. *	80	713-144	Roller Chain #48-1/2" Pitch 15-1/2" Lg.
28	736-159	Flat Washer 5/16 I.D. *	81	713-724	Master Link #48 Chain
29	736-105	Belleville Washer	82	11164	Protective Shield
30	712-372	Hex Center Locknut 5/16-18 Thd. *	83	726-106	Push-On Flange Palnut
31	712-116	Elastic Locknut 3/8-24 Thd.	84	11145	Hinge Rod
32	756-115	Pulley - For P.T.O.	85	732-253	Torsion Spring
33	738-136	Shoulder Bolt Special	86	11130	Adapter Plate
34	712-123	Hex Nut 5/16-24 Thd. *	87	11141	Chute Deflector
35	11427	Upper Deck Assembly	88	305-7470	Throttle Control - Knob
36	10639	Rear Height Pivot Bracket Assembly - R.H.	89	11600	Throttle Control - Bracket Assembly
37	11425	Lower Deck Assembly	90	732-144	Conduit and Wire
38	742-124	Blade 21 Inch	92	10641	Index Plate Assembly - Rear - L.H.
39	710-117	Hex Hd. Cap Scw. 5/16-24 x 1" Lg. Heat Treated	93	10644	Bracket
40	710-459	Hex Hd. Cap Scw. 3/8-24 x 1-1/2" Lg. Heat Treated	94	710-260	Carriage Bolt 5/16-18 x 5/8" Lg. *
41	736-217	Spring Lock Washer 3/8 Scw. Heavy Duty	95	10530	Spring Lever Assembly with Knob
42	748-189	Blade Adapter	96	10937	Pivot Bar - Front Wheel
43	710-260	Carriage Bolt 5/16-18 x 5/8" Lg. *	97	712-267	Hex Nut 5/16-18 Thd. *
44	748-141	Sleeve Bearing	98	736-119	Spring Lockwasher 5/16 Scw. *
45	10642	Index Plate Assembly - Rear - R.H.	99	10950	Height Adjuster Assembly Complete - L.H.
46	738-102	Axle Bolt - Front Wheel	100	736-192	Flat Washer 1/2" Scw. *
47	305-7006	Fortiflex Bearing - Front Wheel	101	736-116	Flat Washer used on L.H. Shoulder Bolt Ref. No. 6 (Not Shown)
48	305-9871	Hub Cap - Front Wheel	104	714-115	Cotter Pin 1/8" Dia. x 1" Lg. *
49	732- 7265 7265	Spring			(Not Shown) (For Rear Wheel)
50	748-142	Flange Bearing	105	750-192	Spacer for (Ref. 76 Pulley)
51	738-137	Shoulder Bolt - Special			

* For faster service, obtain standard nuts, bolts and washers locally. If these items cannot be obtained locally, order by part number and size as shown on the parts list.

437 Flag Red

438 Polar Blue

When ordering parts, if color or finish is important, use the appropriate color code shown above (e.g. Polar Blue Finish, 11427 (438)).



If repairs or service is needed on the engine, please contact your nearest authorized engine service outlet. Check the "Yellow Pages" of your telephone book under "Engines - Gasoline."



ASSEMBLY INSTRUCTIONS

NOTE: This instruction manual covers various models and all accessories shown do not necessarily apply to your model mower.

ASSEMBLY

Electric Start Models Only.

After unfolding the handle follow these steps. The battery has been installed at the factory for you.

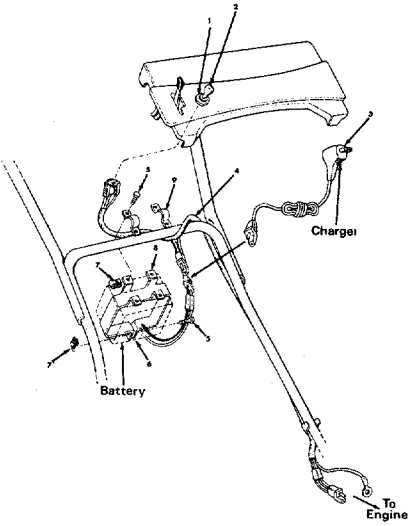
1. Plug the cord from the engine to the power outlet on the battery.
2. Plug the three hole socket into the switch on the handle panel.
3. It is not necessary to unplug or remove the battery from the lawn mower when charging the battery.
4. The battery must be charged 14-16 hours prior to initial use.

Parts List for Model 122-282 Electrical System

Ref. No.	Part No.	DESCRIPTION (Number Req'd.)
1	725-267	Ignition Switch
2	725-201	Ignition Key
3	725-304	G.E. Charger (#49B111LD03)
4	725-305	Wire Harness
5	710-429	Hex-B-Tapping Scw. #10 Thd. x .38" Lg. (5)
6	725-303	Battery G.E. Model (41B906LD02-G2)
7	712-344	Speed Nut #10Z (5)
8	11638	Battery Holder Assembly
9	11618	Clamp (2)

BATTERY CARE

1. To completely charge a discharged battery it takes 14-16 hours.
2. Recharge on ordinary 110-120 Volt, 60 cycle house current.
3. Battery may be recharged on lawn mower or removed if more convenient.
4. Charger will not overcharge or damage battery if left on for an extended period.
5. ALWAYS REMOVE THE CHARGER PLUG FROM THE BATTERY BEFORE REMOVING THE CHARGER FROM THE HOUSE CURRENT.
6. REMOVE IGNITION KEY AND KEEP IN A DIFFERENT LOCATION WHENEVER LAWN MOWER IS NOT IN USE TO PREVENT ACCIDENTAL STARTING.



OPERATION

1. Service engine with gas and oil. See engine manual packed with lawn mower for complete instructions for care and maintenance of engine. **READ DIRECTIONS CAREFULLY.**
2. To disconnect the power to the rear drive wheels so the mower can be pushed by hand, depress the handle. To engage the drive wheels, lift the handle.
3. When turning the mower depress the handle and raise the front wheels, and pivot on the rear wheels. The differential action of the rear axle allows the wheels to turn independently on turns and allows both wheels to drive when the handle is in the UP position.

START ENGINE

With the throttle control lever conveniently mounted on the handle, start, fast, slow and stopping of the engine is conveniently controlled with one lever.

After the engine has been properly fueled and oiled (Refer to engine operating and maintenance instructions), start engine in the following manner.

RECOIL STARTER

1. Move throttle control lever to **START** position.
2. Crank engine. Pull recoil until starter drive engages and then with a quick firm pull. Do not pull out so far that rope stops with a jerk as this will cause rope failure. Do not allow rope and handle to snap back into place.
3. After two or three full firm pulls on recoil, move speed control to run position or as soon as engine fires.
4. Operate a new engine at intermediate speeds and light load for the first few hours as you would a new automotive engine.
5. To stop engine, move speed control lever to stop position.
6. If carburetor needs adjustment to start or for operation, see "Carburetor Readjustment" section.

ELECTRIC START

1. Move throttle control to start position.
2. Insert the key and turn clockwise until the engine starts.
3. To start the engine manually, remove the plastic cap from the flywheel, wrap a short piece of rope around the starter pulley, set the throttle control in the start position and pull the rope to start.
4. Operate a new engine at intermediate speeds and light load for the first few hours as you would a new automotive engine.

5. To stop engine, move speed control lever to stop position.
6. If carburetor needs readjustment to start or for operation, see "Carburetor Readjustment" section.

NOTE: A brief break-in period is essential to insure maximum engine life. This consists of running the engine at half-speed for a period of time required to use one tank of gasoline. This is necessary on the initial run only. It is also recommended that the oil be changed after five (5) hours of operation. This allows for the removal of impurities which may have accumulated during the break-in period. Subsequent oil changes should be made as stated in the engine manual. Always check oil before using your mower. Be sure crankcase is full.

ADJUSTMENTS

CAUTION: Do not at any time make any adjustment to lawn mower without first stopping engine and disconnecting spark plug wire

1. **CUTTING HEIGHT** – An adjusting plate and thumb lever at each wheel position provides cutting height adjustment. Each adjusting plate has five holes. Height of cut will be changed when the thumb lever is moved from one hole to another. Simply depress thumb lever towards wheel and move wheel and lever assembly to desired position. Cutting height will be raised as lever is moved toward front and lowered as lever is moved toward rear. All wheels must be positioned in relative height of cut position.
2. **BELT** – The belt requires no adjustment. The idler maintains the proper tension on the belt at all times.
3. **THROTTLE** – If adjustment becomes necessary, the throttle control wire assembly can be reset as follows:
 - a. Loosen, but do not remove, screw securing throttle control wire assembly at engine.
 - b. Move throttle control lever on handle to "Fast" position.
 - c. Move lever, to which control wire is fastened at engine, to full open position and retighten screw to secure throttle control wire assembly.

USING YOUR ROTARY MOWER

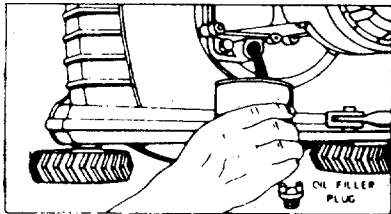
For the best results do not cut wet grass because it tends to stick to the underside of the mower thus preventing, proper discharge of grass clippings. If wet grass must be cut, reduce engine speed and walking speed to help distribute the clippings more effectively.

LUBRICATION

Important: Always stop engine and disconnect spark plug wire before cleaning, lubricating or doing any kind of work on lawn mower.

1. **ENGINE** – Follow Engine Manual for lubrication instructions.

NOTE: FILL AND DRAIN OIL FROM OIL FILL PLUG.



Always disconnect spark plug cable during repairs, refueling or changing oil.

Engine oil may be drained through oil filler opening by tilting the mower on its side. Change oil after first 5 hours of operation while engine is warm. Thereafter, change oil every 25 hours of operation while engine is warm.

2. **CHAIN** – Lubricate periodically with light engine oil (S.A.E. No. 10 or 20)
3. **CONTROLS** – Lubricate periodically the control assemblies and conduit and wire with light engine oil for ease of operation.
4. **WHEELS** – Lubricate periodically bearings on front wheels with light engine oil. Rear bearings require no lubrication.
5. **PROTECTIVE SHIELD** – The pivot points on the protective shield should be lubricated periodically with oil to prevent any rust or binding up.
6. **CHUTE DEFLECTOR** – The torsion spring and pivot point should be lubricated periodically with oil to prevent any rust or binding up. Deflector must work freely.

CUTTING BLADE – The blade may easily be removed for grinding or replacement as follows:

1. Remove bolt and lock washer holding blade, and blade adapter to engine crankshaft.
2. Remove blade and blade adapter from engine crankshaft.
3. Remove two bolts, lock washers and nuts holding blade to blade adapter (if necessary).

When sharpening blade, follow the original angle of grind as a guide. It is extremely important that each cutting edge receives an equal amount of grinding to prevent an unbalanced blade. An unbalanced blade will cause excessive vibration when rotating at high speeds and may cause damage to the mower.

Upon reassembly, make certain all parts are assembled properly and tightened securely.

DECK – The underside of mower deck should be cleaned after each period of use as grass clippings, leaves, dirt and other matter will accumulate. This accumulation of grass clippings, etc., is undesirable as it will invite corrosion and may cause an uneven discharge of grass clippings at the next cutting.

The deck may be cleaned by tilting the mower forward or on its left side and scraping clean with a suitable tool or washing with a stream of water from a garden hose.

CAUTION: Do not direct the stream of water at a hot engine as damage to the engine may result.

BELT REMOVAL (Refer to drawing on page 2)

1. Be sure spark plug wire is removed from spark plug.
2. Remove the belt guard (Ref. No. 65) by removing the two screws on the belt guard.
3. Place a piece of plastic film under gas cap and tighten it. The plastic prevents gasoline from draining from the air vent in the cap.
4. Place the handle of mower on a table or bench so that the underside of deck is showing.
5. Remove cutting blade (Ref. No. 38) by removing blade bolt (Ref. No. 40).
6. Remove deck (Ref. No. 37) by removing four bolts (Ref. No. 43) **NOTE:** If you have a grass catcher adapter plate on your unit remove only one bolt, one towards the front wheels.
7. Remove master link (Ref. No. 81) and chain (Ref. No. 80).
8. Remove rear wheel hub cap (Ref. No. 55) from right hand rear wheel only.
9. Remove cotter pin (Ref. No. 79), ratchet (Ref. No. 56) and right hand rear wheel (Ref. No. 3).
10. Remove spring (Ref. No. 49) from cam assembly (Ref. No. 59).
11. Remove hex nut (Ref. No. 15) from rear axle assembly (Ref. No. 4) on the right hand side only.
12. Remove cotterpin (Ref. No. 79) from axle assembly (Ref. No. 4)
13. Pull idler assembly (Ref. No. 58) toward you and pull belt (Ref. No. 64) over idler
14. Slide axle assembly (Ref. No. 4) to the left.
15. Pull belt down past P.T.O. pulley (Ref. No. 32) and over end of rear axle assembly (Ref. No. 4).
16. To replace with new belt, reverse the above steps.

STORAGE

The following steps should be taken to prepare lawn mower for storage.

1. Clean and lubricate mower thoroughly as described in the preceding instructions.
2. Refer to engine manual for correct engine storage instructions.
3. Coat mower's cutting blade with chassis grease to prevent rusting.
4. Store mower in dry, clean area.

GRASS CATCHER Model No. 192-003 is available as optional equipment for the mowers shown in this manual.

WARNING:

1. The mower should not be operated without the entire grass catcher or chute deflector in place.
2. The mower should not be operated without the protective shield on the rear of the deck in place.

NOTE:

Under normal usage bag material is subject to wear, and should be checked periodically. Be sure any replacement bag complies with the mower manufacturer's recommendations.

For replacement bags, use only factory authorized replacement bag No. 764-119.

★ IMPORTANT

After striking a foreign object, stop the engine (motor), remove wire from spark plug. Thoroughly inspect the mower for any damage, and repair the damage before restarting and operating the mower.

WARRANTY

For one year from date of purchase, MTD Products Inc will replace for the original purchaser, free of charge, F.O.B. factory or authorized service firm, any part or parts found to be defective in material or workmanship. All transportation charges on parts submitted for replacement under this warranty must be paid by the purchaser. This warranty does not include replacement of parts which become inoperative through misuse, excessive use, accident, neglect, improper maintenance or alterations by unauthorized persons. This warranty does not include the engine, motor, battery, battery charger or any component parts thereof. For service on these units, refer to the applicable manufacturer's warranty.

The above warranty will apply only to the original owner and will be effective only if the warranty card has been properly processed. It will not apply where the unit has been used commercially.

Warranty service is available through your local authorized service dealer or distributor. **UNDER NO CIRCUMSTANCES WILL THE RETURN OF A COMPLETE UNIT BE ACCEPTED BY THE FACTORY UNLESS PRIOR WRITTEN PERMISSION HAS BEEN EXTENDED'**

PARTS INFORMATION

MOWER, TILLER, SNOW THROWER AND TRACTOR PARTS

Mower, tiller, snow thrower and tractor parts are available through the authorized service firms listed below. All orders should specify the model number of your unit, parts numbers, description of parts and the quantity of each part required.

A 1 Engine & Mower Co.
327 East 9th Street
Salt Lake City, Utah 84102

American Electric Ignition Co.
124 N. W. 8th Street
Oklahoma City, Oklahoma 73102

Auto Electric & Carburetor Co.
2625 4th Avenue, S.
P. O. Box 1948
Birmingham, Alabama 35233

Automotive Equipment Service Co.
3117 Holmes Street
Kansas City, Missouri 64109

Bailey's Rebuild Inc.
1325 E. Madison Street
Seattle, Washington 98102

Brown Equipment Distributor Inc.
110 Beech Street
Corydon, Indiana 47112

Bullard Supply
2409 Commerce Street
Houston, Texas 77003

Center Supply Company
6867 New Hampshire Avenue
Takoma Park, Maryland 20012

R. T. Clapp Co.
2016 Magnolia Ave., N. E.
Knoxville, Tennessee 37917

W. B. Clements
400 Salem Avenue
Roanoke, Virginia 24016

Morton B. Collins Co.
300 Birnie Avenue
Springfield, Massachusetts 01107

Dixie Sales Company
P. O. Box 1408
327 Battleground Avenue
Greensboro, North Carolina 27402

East Point Cycle & Key Shop
1617 Whiteway
East Point, Georgia 30044

Gamble Distributors
West End Avenue
Carthage, New York 13619

Garden Equipment Co., Inc.
6600 Cherry Avenue
Long Beach, California 90805

Henzler, Inc.
2015 Lemay Ferry Road
St. Louis, Missouri 63125

Frank E. Ives & Son
1101 Lincoln Avenue
Prospect Park, Pennsylvania 19076

J. W. Jewett Co.
981 Folsom Street
San Francisco, California 94107

Kenton Supply
8216 North Denver Avenue
Portland, Oregon 97217

Kimber's Inc.
615 W. Genesee Street
Syracuse, New York 13204

Marr Brothers
423 E. Jefferson
Dallas, Texas 75203

Mathews Auto Electric Co.
420 East 2nd Street
Tulsa, Oklahoma 74120

McClure Lawn & Garden Supply
1114 Lexington Avenue
Mansfield, Ohio 44907

Memphis Cycle & Supply Co.
421 Monroe Avenue
Memphis, Tennessee 38103

ENGINE PARTS AND SERVICE

Engine parts and service should be handled by your nearest authorized engine service firm. Check the yellow pages of your telephone directory under the listing *Engines - Gasoline*, Briggs and Stratton or Tecumseh Lauson - Power Products.

Moz-All of Florida, Inc.
365 Greco Avenue
Coral Gables, Florida 33146

**National Central, Div. of
Joe Sterling, Inc.**
Drawer "D" 687 Seville Rd.
Wadsworth, Ohio 44281

Power Equipment Distributor
36463 So. Gratiot Avenue
Mt. Clemens, Michigan 48043

Parts & Sales Inc.
335 West St. Charles Road
Villa Park, Illinois 60181

Power Lawn & Garden Equip. Co.
2551-2571 J. F. Kennedy Road
Dubuque, Iowa 52001

Raub Supply Company
James & Mulberry Sts.
Lancaster, Pennsylvania 17604

Radco Distributors
2403 Market Street
P. O. Box 3216
Jacksonville, Florida 32206

Richmond Battery & Ignition
P. O. Box 25369 - 957 Myers St.
Richmond, Virginia 23260

Smith Hardware Company
515 N. George Street
Goldsboro, North Carolina 27530

South Denver Lawn Equip. Co.
527 West Evans
Denver, Colorado 80223

Suhren Engine
8330 Earhart Blvd.
New Orleans, Louisiana 70118

Sutton's Lawn Mower Shop
Route 4, Box 343
North Little Rock, Arkansas 72117

Warner Equipment
7520 Lyndale Avenue, So.
Minneapolis, Minnesota 55423