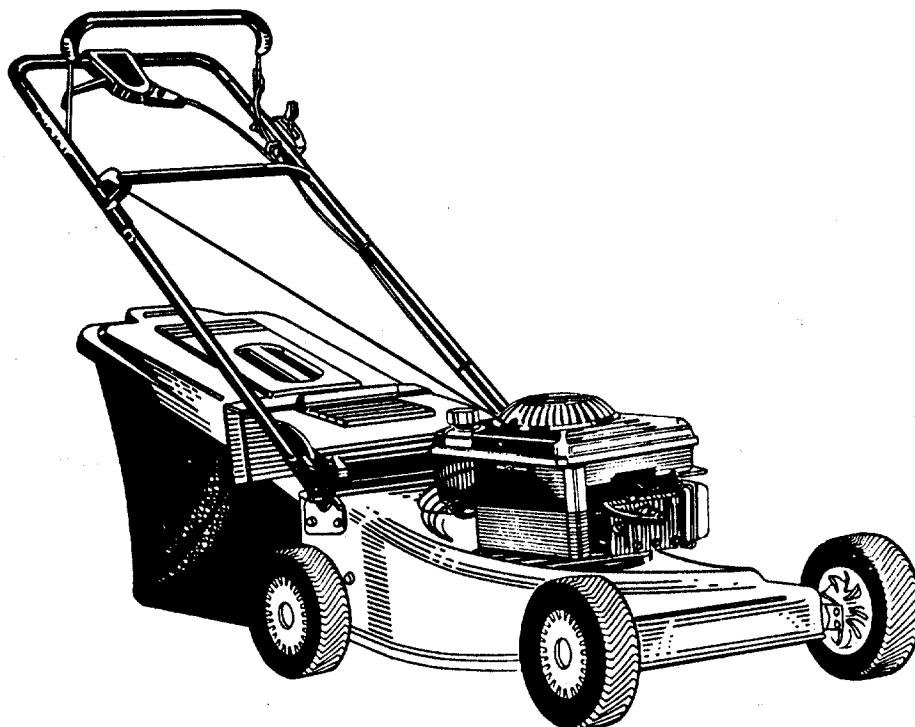


OWNER'S GUIDE

ASSEMBLY • OPERATION • MAINTENANCE • PARTS



(Model 476R Shown)

076 CATCHER--(HARD)

078 CATCHER--(SOFT)

21" ROTARY MOWERS

Model Numbers

- | | |
|-------------|-------------|
| 120-462R000 | 120-472R000 |
| 120-463R000 | 120-473R000 |
| 120-464R000 | 120-474R000 |
| 120-465R000 | 120-475R000 |
| 120-466R000 | 120-476R000 |
| 120-468R000 | 120-478R000 |
| 120-469R000 | 120-479R000 |

120-460R372

Important: Read Safety Rules and Instructions Carefully

INDEX

Slope Gauge	3
Contents of Hardware Pack	4
Rules for Safe Operation	5
Assembly	6
Controls	11
Operation	12
Adjustments	13
Lubrication	15
Maintenance	15
Off-Season Storage	17
Illustrated Parts	18, 21, 22
Repair Parts List	19-22
Trouble Shooting Guide	23
Parts Information	Back Cover

Dear Customer,

So often throughout the year we are all in a rush to meet our daily obligations.

However, we at MTD Products Inc are taking a quick moment out to say...

"Thank you for your business."

Sincerely,
MTD PRODUCTS INC



INSTRUCTIONS GIVEN WITH THIS SYMBOL ARE FOR PERSONAL SAFETY. BE SURE TO FOLLOW THEM.

The use of any accessory on this Rotary Mower other than those manufactured by the mower manufacturer is **not** recommended.



WARNING: DO NOT operate the mower without the entire grass catcher or chute deflector in place. **DO NOT** operate the mower without the protective shield on the rear of the deck in place.

NOTE: Under normal usage bag material is subject to wear and should be checked periodically. Be sure any replacement bag complies with the mower manufacturer's recommendations. For replacement bags, use only factory authorized replacement bag.

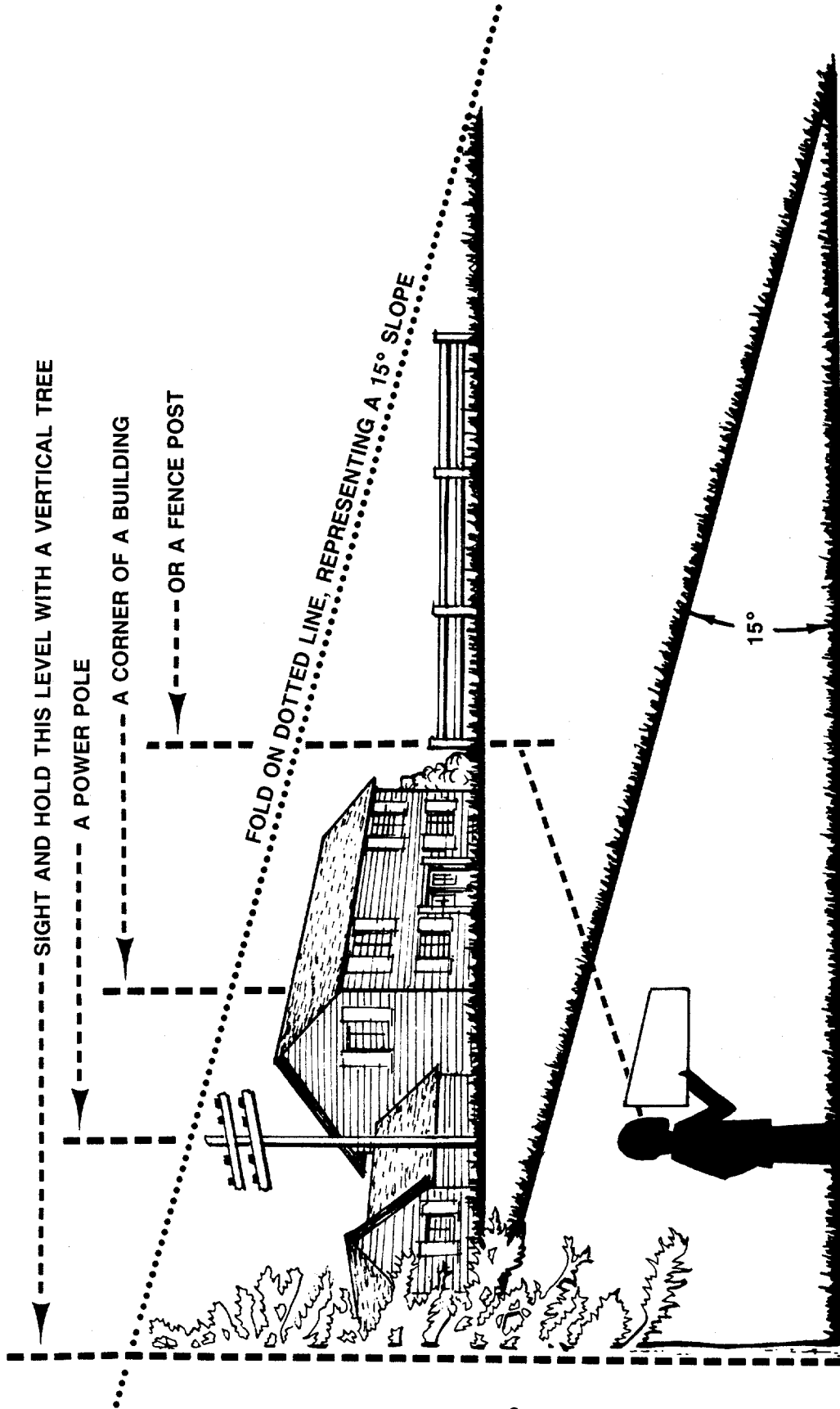
WARNING: This unit is equipped with an internal combustion engine and should not be used on or near any unimproved forest-covered, brush-covered or grass-covered land unless the engine's exhaust system is equipped with a spark arrester meeting applicable local or state laws (if any). If a spark arrester is used, it should be maintained in effective working order by the operator.

In the State of California the above is required by law (Section 4442 of the California Public Resources Code). Other states may have similar laws. Federal laws apply on federal lands. A spark arrester for the muffler is available through your nearest engine authorized service dealer.

USE THIS SHEET AS A GUIDE TO DETERMINE SLOPES WHERE YOU MAY NOT OPERATE SAFELY.

SLOPE GAUGE

(Keep this sheet in a safe place for future reference.)



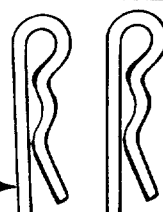
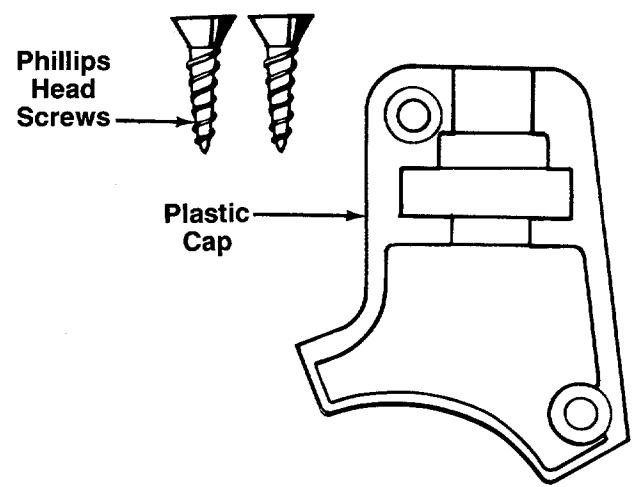
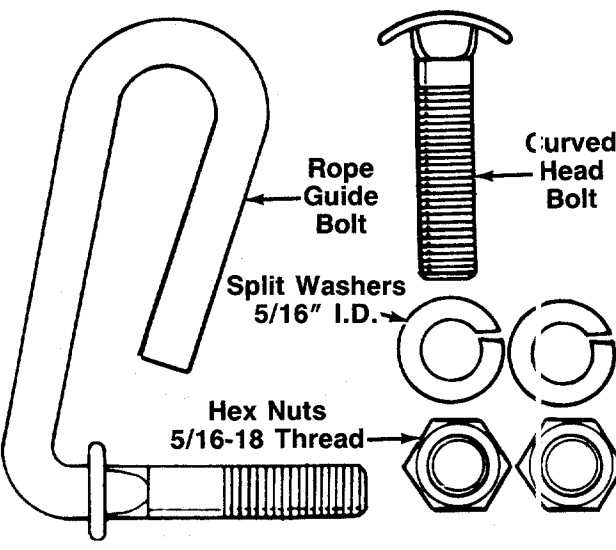
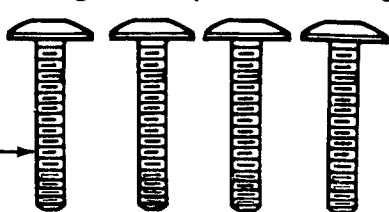
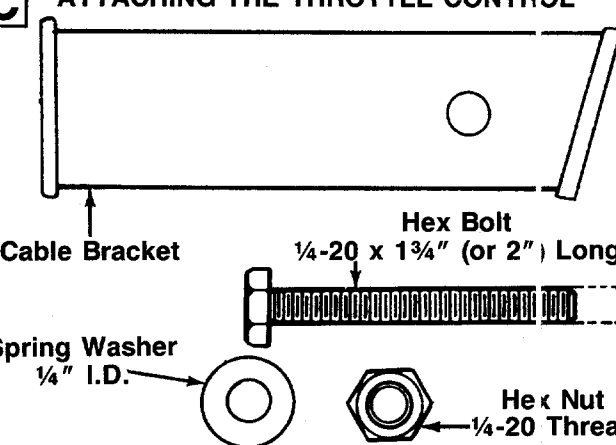
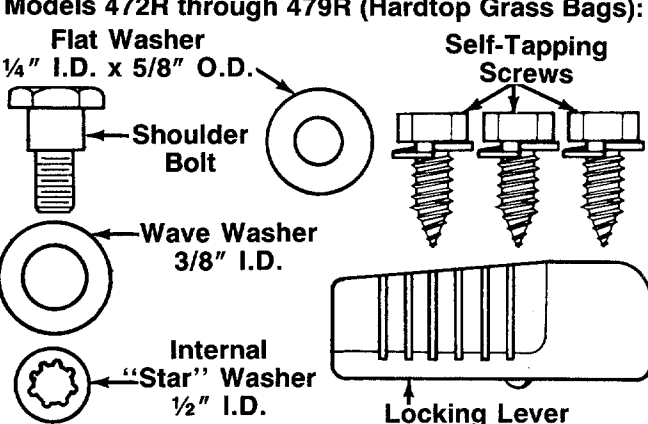
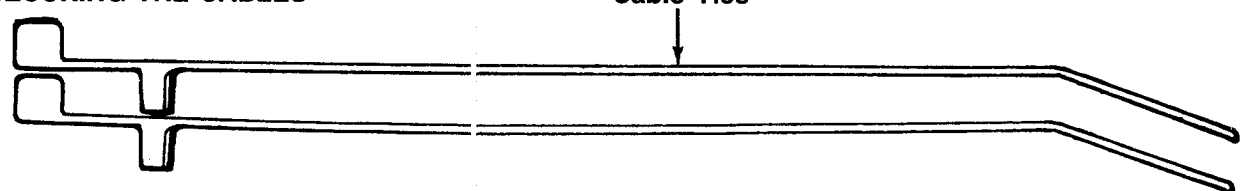
Do not mow on inclines with a slope in excess of 15 degrees (a rise of approximately 2½ feet every 10 feet). A riding mower could overturn and cause serious injury. If operating a walk-behind mower on such a slope, it is extremely difficult to maintain your footing and you could slip, resulting in serious injury.

Operate RIDING mowers up and down slopes, never across the face of slopes.

Operate WALK-BEHIND mowers across the face of slopes, never up and down slopes.

CONTENTS OF HARDWARE PACK

Remove this sheet from your owner's manual and lay the hardware on the illustration for identification purposes. After assembly, keep the Slope Gauge which is on the reverse side of this sheet for future use.
(Hardware pack may contain extra items which are not used on your unit.)

<p>A ATTACHING THE LOWER HANDLE</p>  <p>Hairpin Clips</p>	<p>E ATTACHING THE DRIVE CLUTCH CONTROL CABLE</p>  <p>Phillips Head Screws</p> <p>Plastic Cap</p>
<p>B ATTACHING THE UPPER HANDLE</p>  <p>Rope Guide Bolt</p> <p>Curved Head Bolt</p> <p>Split Washers 5/16" I.D.</p> <p>Hex Nuts 5/16-18 Thread</p>	<p>F ASSEMBLY OF GRASS CATCHER Models 462R through 469R (Soft Grass Bags):</p>  <p>Self-Tapping Screws</p>
<p>C ATTACHING THE THROTTLE CONTROL</p>  <p>Cable Bracket</p> <p>Hex Bolt 1/4-20 x 1 3/4" (or 2") Long</p> <p>Spring Washer 1/4" I.D.</p> <p>Hex Nut 1/4-20 Thread</p>	<p>Models 472R through 479R (Hardtop Grass Bags):</p>  <p>Shoulder Bolt</p> <p>Flat Washer 1/4" I.D. x 5/8" O.D.</p> <p>Self-Tapping Screws</p> <p>Wave Washer 3/8" I.D.</p> <p>Internal "Star" Washer 1/2" I.D.</p> <p>Locking Lever</p>
<p>D SECURING THE CABLES</p>  <p>Cable Ties</p>	



Cut Along this Line

IMPORTANT

RULES FOR SAFE OPERATION



THIS SYMBOL POINTS OUT IMPORTANT SAFETY INSTRUCTIONS WHICH, IF NOT FOLLOWED, COULD ENDANGER THE PERSONAL SAFETY AND/OR PROPERTY OF YOURSELF AND OTHERS. READ AND FOLLOW ALL INSTRUCTIONS IN THIS MANUAL BEFORE ATTEMPTING TO OPERATE YOUR LAWN MOWER. FAILURE TO COMPLY WITH THESE INSTRUCTIONS MAY RESULT IN PERSONAL INJURY. WHEN YOU SEE THIS SYMBOL—



HEED ITS WARNING.



Your lawn mower was built to be operated according to the rules for safe operation in this manual. As with any type of power equipment, carelessness or error on the part of the operator can result in serious injury. If you violate any of these rules, you may cause serious injury to yourself or others.



TRAINING

1. Read this owner's guide carefully in its entirety before attempting to assemble or operate this machine. Be completely familiar with the controls and the proper use of this machine before operating it. Keep this manual in a safe place for future and regular reference and for ordering replacement parts.
2. Your rotary mower is a precision piece of power equipment, not a plaything. Therefore, exercise extreme caution at all times.
3. Never allow children to operate a power mower. Only persons well acquainted with these rules of safe operation should be allowed to use your mower.
4. Keep the area of operation clear of all persons, particularly small children and pets. Stop engine when they are in the vicinity of your mower to help prevent blade contact or thrown object injury. Although the area of operation should be completely cleared of foreign objects, an object may have been overlooked and could be accidentally thrown by the mower in any direction and cause serious personal injury to the operator or any others allowed in the area.



PREPARATION

1. Thoroughly inspect the area where the equipment is to be used. Remove all stones, sticks, wire, bones and other foreign objects which could be picked up and thrown by the mower in any direction and cause serious personal injury to the operator or any others allowed in the area.
2. Always wear safety glasses or eye shields during operation or while performing an adjustment or repair, to protect eyes from foreign objects that may be thrown from the machine in any direction.
3. Wear sturdy, rough-soled work shoes and close-fitting slacks and shirts to avoid entanglement in the moving parts. Never operate a unit in bare feet, sandals, or sneakers.
4. Check the fuel before starting the engine. Gasoline is an extremely flammable fuel. Do not fill the gasoline tank indoors, while the engine is running, or until engine has been allowed to cool for two minutes after running. Replace gasoline cap securely and wipe off any spilled gasoline before starting the engine as it may cause a fire or explosion.
5. Disengage the self-propelled mechanism or drive clutch on units so equipped before starting the engine.
6. The blade control handle is a safety device. Never attempt to bypass its operation. Doing so makes the safety device inoperative and may result in personal injury through contact with the rotating blade. The blade control handle must operate easily in both directions.
7. Never attempt to make a wheel or cutting height adjustment while the engine is running.
8. Never operate the equipment in wet grass. Always be sure of your footing. A slip and fall can cause serious personal injury. Keep a firm hold on the handle and walk, never run. Mow only in daylight or in good artificial light.

9. For your safety, use the slope gauge included as part of this manual to measure slopes before operating this unit on a sloped or hilly area. If the slope is greater than 15° as shown on the slope gauge, do not operate this unit on that area or serious injury could result.



OPERATION

1. Do not change the engine governor settings or overspeed the engine. Excessive engine speeds are dangerous.
2. Do not put hands or feet near or under rotating parts. Keep clear of the discharge opening at all times as the rotating blade can cause injury.
3. Stop the blade when crossing gravel drives, walks or roads.
4. After striking a foreign object, stop the engine, remove the wire from the spark plug, and thoroughly inspect the mower for any damage. Repair the damage before restarting and operating the mower.
5. If the equipment should start to vibrate abnormally, stop the engine and check immediately for the cause. Vibration is generally a warning of trouble.
6. Shut the engine off and wait until the blade comes to a complete stop before removing the grass catcher or unclogging the chute. The cutting blade continues to rotate for a few seconds after the engine is shut off. Never place any part of the body in the blade area until you are sure the blade has stopped rotating.
7. Before cleaning, repairing or inspecting, make certain the blade and all moving parts have stopped. Disconnect the spark plug wire, and keep the wire away from the spark plug to prevent accidental starting.
8. Do not run the engine indoors.
9. Mow across the face of slopes, never up-and-down. Exercise extreme caution when changing direction on slopes. Do not mow excessively steep slopes. Always be sure of your footing. A slip and fall can cause serious personal injury.
10. Never operate mower without proper guards, plates or other safety protective devices in place.
11. Do not operate this mower without either the rear deflector or entire grass catcher assembly in place.



MAINTENANCE AND STORAGE

1. Check the blade and engine mounting bolts at frequent intervals for proper tightness.
2. Keep all nuts, bolts, and screws tight to be sure the equipment is in safe working condition.
3. Never store the equipment with gasoline in the tank inside of a building where fumes may reach an open flame or spark. Allow the engine to cool before storing in any enclosure.
4. To reduce fire hazard, keep the engine free of grass, leaves, or excessive grease.
5. Check the grass catcher bag frequently for wear or deterioration. For safety protection, replace only with new bag meeting original equipment specifications.

ASSEMBLY INSTRUCTIONS

IMPORTANT: This unit is shipped **WITHOUT GASOLINE or OIL.** After assembly, service engine with gasoline and oil as instructed in the separate engine manual packed with your unit.

NOTE: Reference to right or left hand side of the mower is observed from the operating position.

Tools Required for Assembly

- (1) Pair of Pliers
- (1) 1/2" Wrench*
- (2) 7/16" Wrenches*
- *Or two 6" Adjustable Wrenches

UNPACKING

1. Remove the lawn mower from the carton by opening the top flaps and lifting the unit out. Be careful of the staples. Make certain all parts and literature have been removed from the carton before the carton is discarded.
2. Disconnect and ground the spark plug wire against the engine. Check beneath the deck for any cardboard packaging. Remove if present.
3. Stretch out all control cables and place on the floor. Be careful not to bend or kink the cables at any time during assembly.
4. Remove page four from this manual and lay the contents of the hardware pack on the illustration for identification.

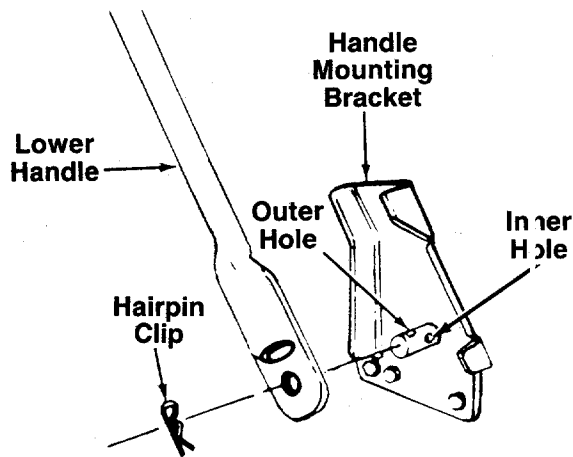


FIGURE 1.

ATTACHING THE LOWER HANDLE (Hardware A)

1. Attach the lower handle by placing the bottom holes in the lower handle over the weld pins on the handle mounting brackets on the rear of the deck.
2. Using a pair of pliers, squeeze one leg of the lower handle against the handle mounting bracket. Insert the hairpin clip into the **inner** hole on the weld pin. See figure 1. Repeat on other side.

NOTE: There are two (2) holes in the handle mounting brackets. Place the hairpin clip in the inner hole for operation. Outer hole is for storage.

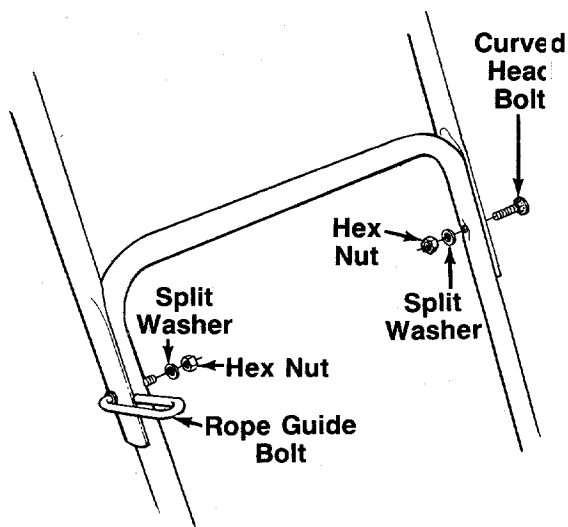


FIGURE 2.

ATTACHING THE UPPER HANDLE (Hardware B)

1. Place the upper handle in position over the lower handle. The blade control handle (attached to the upper handle) must be facing up.

NOTE: The right hand side of the handle will be secured with the rope guide bolt. However, left handed operators may assemble the rope guide bolt to the left side of the handle for easier starting by following steps 2 and 3 and reversing the left and right hand instructions.

2. Secure the left hand side of upper handle using the curved head bolt, split washer and hex nut as shown in figure 2.
3. Insert the rope guide bolt through the right hand side of upper and lower handle from the outside in. Secure with split washer and hex nut, finger tight only at this time.

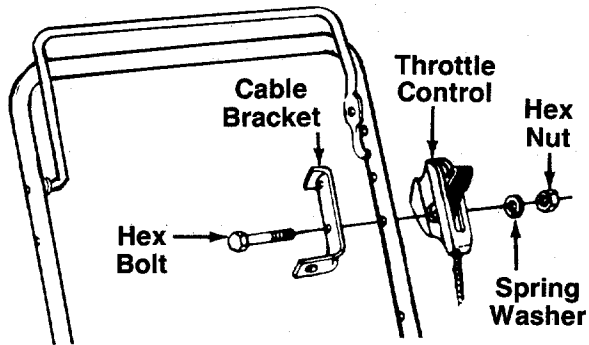


FIGURE 3.

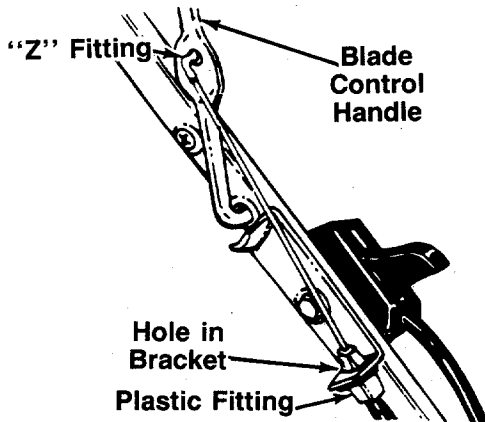


FIGURE 4.

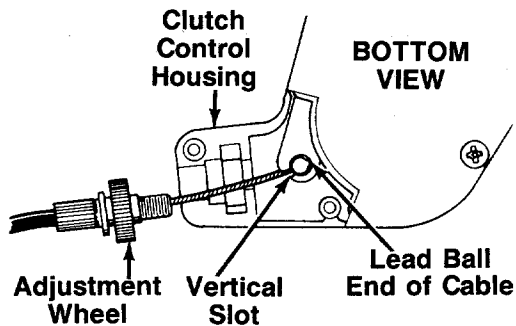


FIGURE 5.

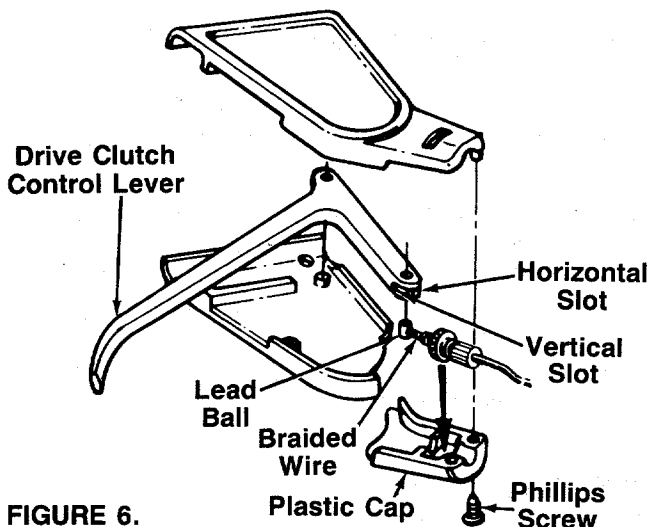


FIGURE 6.

ATTACHING THE THROTTLE CONTROL (Hardware C)

The throttle control is attached to the engine. Attach the throttle control to the **left** side of upper handle as follows. See figure 3.

1. Route the throttle control cable inside the handle mounting bracket and beneath the lower handle.
2. Place cable bracket against left side of upper handle, lining up the hole in the bracket with the bottom hole in upper handle. Place 1/4" hex bolt through cable bracket and handle, from the inside to the outside.
3. Place throttle control on the hex bolt (outside of the upper handle), with the throttle lever facing upward. Secure with spring washer (cupped side against the throttle control) and hex nut.

ATTACHING THE BRAKE CABLE

1. The brake cable is attached to the engine, and has a "Z" fitting on the loose end. Route the brake cable below the lower handle. Place end of cable through the hole in the bracket as shown in figure 4.
4. Be careful not to bend or kink the cable at any time. Push the plastic fitting until it locks into the hole in the bracket.



WARNING: Brake cable must be assembled as shown for proper blade brake operation.

2. Hook the "Z" end of the brake cable into the hole in the blade control handle from the inside to the outside as shown in figure 4.

ATTACHING THE DRIVE CLUTCH CONTROL CABLE (Hardware E)

The drive clutch control cable is attached to the deck. Route the cable under the lower handle. Attach the cable to the lever in the clutch control housing, located in the middle of the upper handle, as follows.

1. Place the lead ball end of the cable into the fitting provided in the end of the clutch control lever. Slip the braided wire into the vertical slot as shown in figure 5.
2. Slide the braided wire around in the horizontal slot. See figure 6.
3. Make certain the adjustment wheel is threaded onto the cable as far as possible as shown in figure 5. Place the adjustment wheel into the clutch control housing.
4. Secure the plastic cap to the clutch control housing using the two Phillips head screws. See figure 6.



WARNING: Drive clutch adjustment must be checked before the unit is operated, as described in the Operation Section.

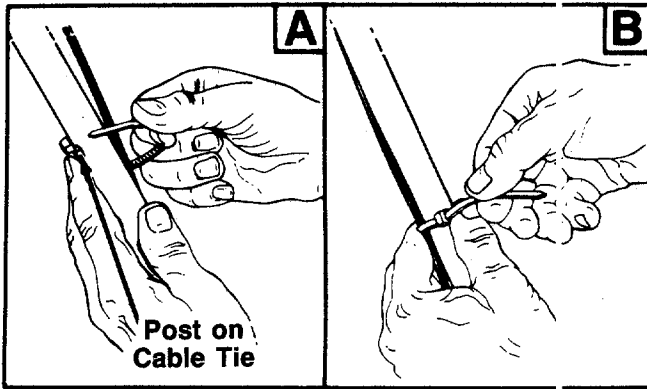


FIGURE 7.

SECURING THE CABLES (Hardware D)

Secure all cables to the left side of the handle as follows.

1. Insert posts on cable ties into holes provided on the lower handle. The holes may be either on the inside or outside of the handles. See figure 7A.
2. Secure the cables with the cable ties. See figure 7B.
3. Trim excess ends of cable ties.

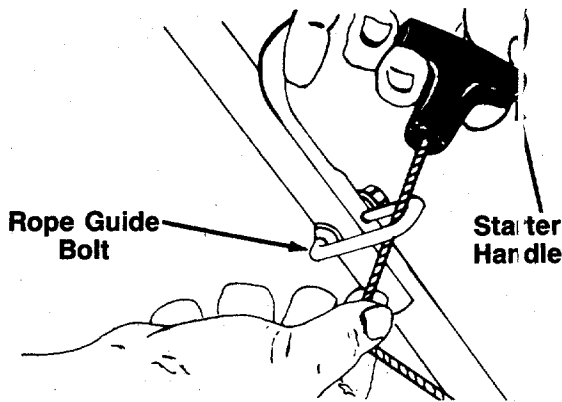


FIGURE 8.

ATTACHING THE STARTER ROPE

1. The starter rope is inside the top of the engine. Additional rope may be wound around the starter handle. If so, unwind the rope from the handle.
2. With the spark plug wire disconnected and grounded, depress the blade control handle and pull the rope out of the engine.
3. Slip the starter rope into the rope guide bolt as shown in figure 8.
4. Tighten the hex nut on the rope guide bolt securely.

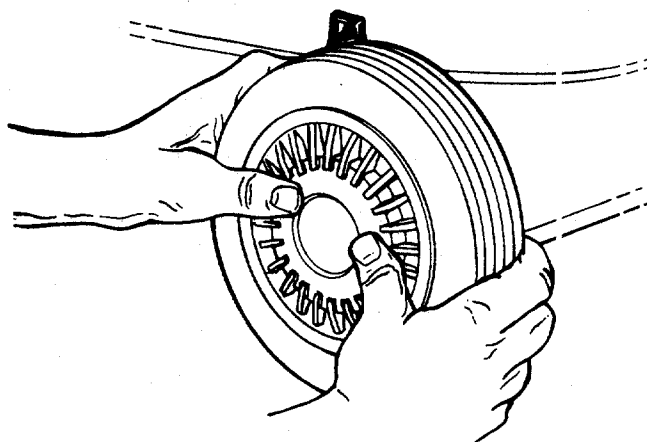


FIGURE 9.—Optional Hub Caps

INSTALLATION OF HUB CAPS (Optional)

1. If your mower is equipped with hub caps which have four tabs, line up the tabs on the hub caps with the holes in the wheels. Push to lock in position.
2. If your mower is equipped with 2" wide tires, place hub caps in position against the inner hub of the wheel. Press firmly around the center portion of hub cap in a circular motion, similar to installing a lid on a round, plastic container. See figure 9. The hub caps are flexible and will snap over the 3½" diameter wheel hubs.

FINAL ASSEMBLY OF MOWER

Make certain all nuts and bolts are tightened securely.

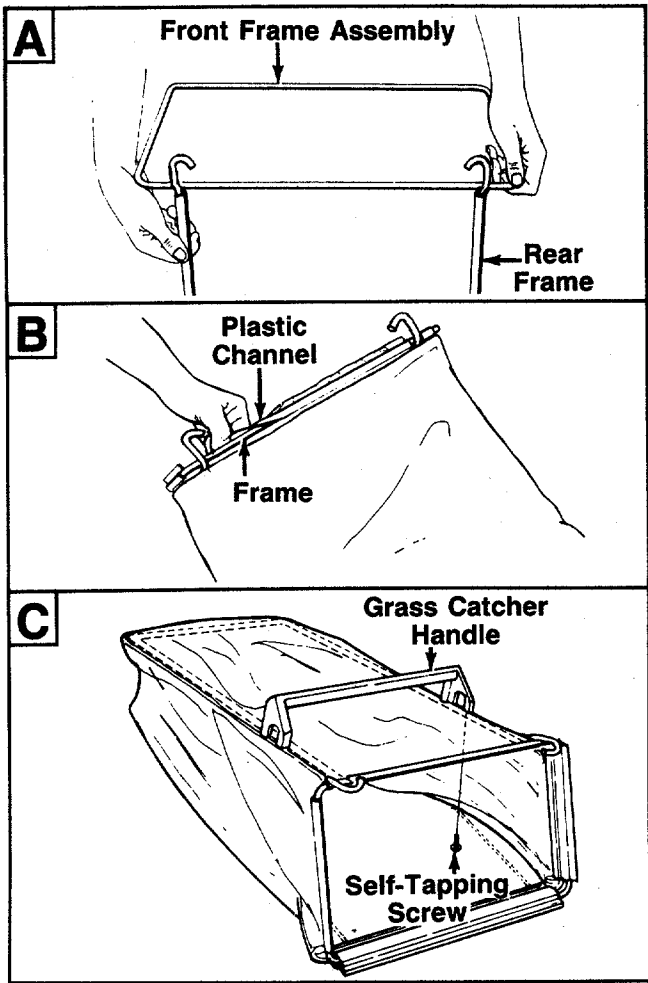


FIGURE 10.

ASSEMBLY OF GRASS CATCHER (Hardware F)

There are two different types of grass catchers, those with soft grass bags and those with hardtop grass bags. Follow the instructions which pertain to your unit.

NOTE: Make certain the grass bag is turned right side out before assembling (warning label will be on the outside).

Models 462R through 469R (Soft Grass Bags):

1. Join the rear frame and front frame assembly as shown in figure 10A.
2. Place bag over frame (black plastic side is the bottom of bag). Hooks on the front frame go toward the top of the bag.
3. Secure front of bag to frame by working the plastic channels on bag over frame. See figure 10B.
4. Place the grass catcher handle in position on top of the grass bag and frame as shown in figure 10C. Secure with four self-tapping screws.

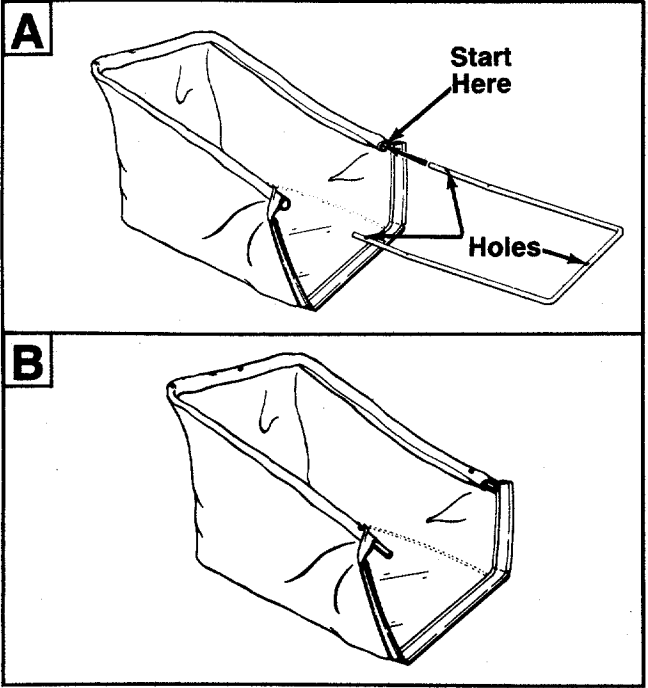


FIGURE 11.

Models 472R through 479R (Hardtop Grass Bags):

1. There are three holes in the rear frame. With the holes on the upper side as shown in figure 11A, insert one end of the rear frame into the cloth channel on the edge of the grass catcher bag. Feed all the material on one side of the frame, then work it around the frame. See figure 11B.

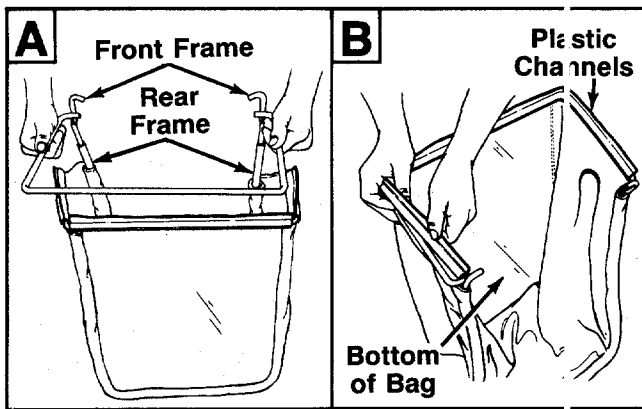


FIGURE 12.

2. Slide the ends of the front frame assembly into the ends of the rear frame as shown in figure 12A.
3. Secure front of bag to front frame by slipping plastic channels on sides and bottom of bag over frame. See figure 12B.

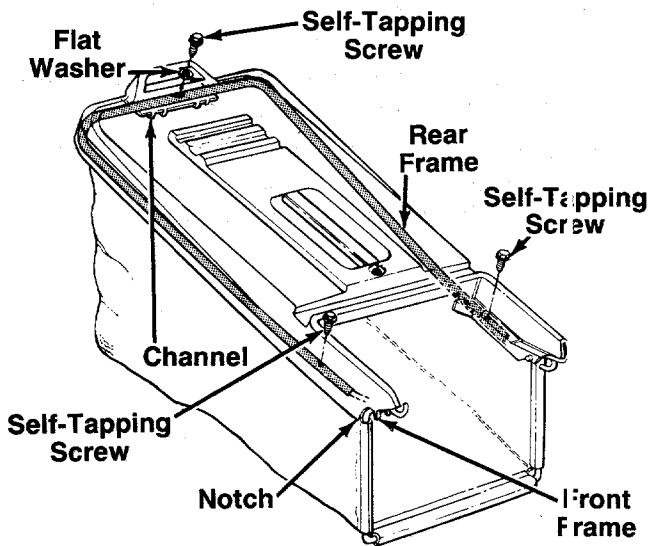


FIGURE 13.

4. Attach the hardtop cover to the grass catcher as follows. See figure 13.
 - a. Place the cover in position on top of the grass catcher. Press the rear frame into the channel on the rear of the cover (beneath the rear handle).
 - b. Slide the notches on the sides of the cover over the front catcher frame.
 - c. Attach rear of cover to frame using the flat washer and one self-tapping screw as shown in figure 13. Attach the sides of the cover to frame with the other two self-tapping screws.

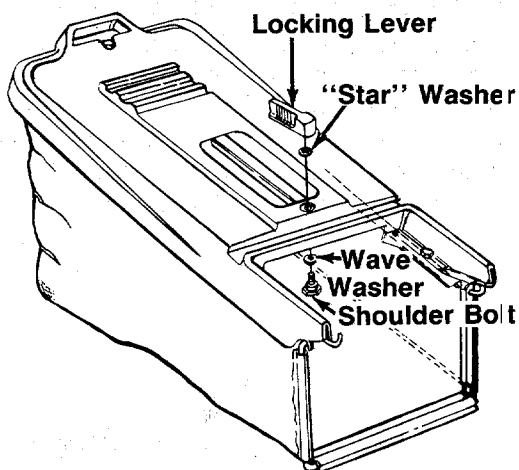


FIGURE 14.

5. Assemble the locking lever as follows:
 - a. Place wave washer on shoulder bolt (crowned side of washer goes against the head of bolt).
 - b. Insert shoulder bolt up through hole in hardtop cover as shown in figure 14. Place "star" washer over shoulder bolt.
 - c. Thread shoulder bolt into the grass catcher locking lever, using a 9/16" socket wrench. Do not overtighten. Locking lever must be able to pivot.

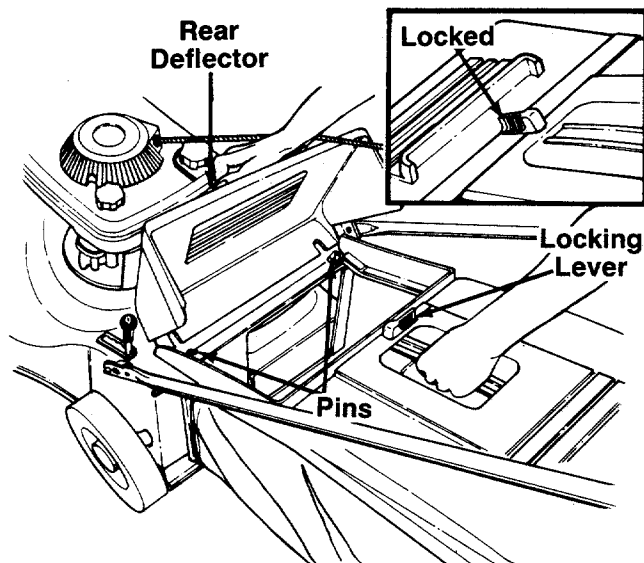


FIGURE 15.

ATTACHING BAG TO MOWER

Lift the rear deflector on the mower. Place the hooks on the grass catcher over the pins on the back of the mower. See figure 15. Release the rear deflector. Turn the locking lever to the locked position to secure the rear deflector. See figure 15, inset.

To remove the grass catcher, turn the locking lever to the unlocked position and lift the rear deflector on the mower. Lift the grass catcher up, over the pins on the back of the mower. Release the deflector.

CONTROLS

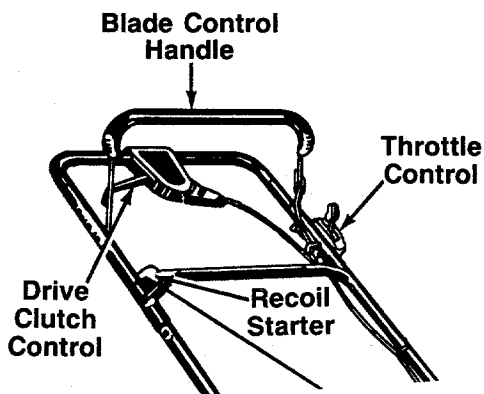


FIGURE 16.

BLADE CONTROL HANDLE

WARNING
THIS CONTROL MECHANISM IS A SAFETY DEVICE NEVER ATTEMPT TO BYPASS ITS OPERATIONS

The blade control handle is located on the upper handle of the mower. See figure 16. The blade control handle must be depressed in order to operate the unit. Release the blade control handle to stop the engine and blade.



WARNING: The blade will be rotating whenever the engine is running.

THROTTLE CONTROL

The throttle control is located on the side of the upper handle. It is used to regulate the engine speed.



WARNING: The throttle control cannot be used to stop the engine.

RECOIL STARTER

The recoil starter handle is attached to the handle. See figure 16. Stand behind the unit in the operating position to start the unit.

DRIVE CLUTCH CONTROL

Squeezing the drive clutch control engages the drive mechanism to the rear wheels. Releasing the clutch control stops the rear wheels from driving. Release the drive clutch control to slow down when negotiating an obstacle, making a turn or stopping. See figure 16.

OPERATION



FIGURE 17.

Keep hands and feet away from the chute area on cutting deck. See figure 17.

The operation of any lawn mower can result in foreign objects being thrown into the eyes, which can result in severe eye damage. Always wear safety glasses or eye shields. We recommend wide vision safety mask for over spectacles or standard safety glasses, available through your nearest dealer.



NOTE: For shipping purposes your mower is set with the wheels in a low cutting height position. For best results raise the cutting position until it is determined which height is best for your lawn. See cutting height adjustment section.

GAS AND OIL FILL-UP

Service the engine with gasoline and oil as instructed in the separate engine manual packed with your mower. Read instructions carefully.



WARNING: Never fill fuel tank indoors, with engine running or until the engine has been allowed to cool for at least two minutes after running.

BEFORE STARTING

1. Attach spark plug wire to spark plug. If unit is equipped with a rubber boot over the end of the spark plug wire, make certain the metal loop on the end of the spark plug wire (inside the rubber boot) is fastened securely over the metal tip on the spark plug. See figure 18.

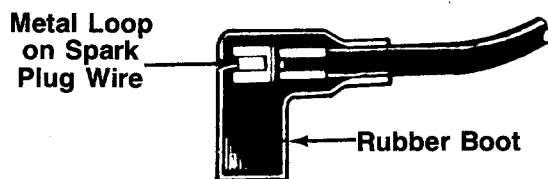


FIGURE 18.

2. Models 464R, 466R, 468R, 474R, 476R and 478R only: Open fuel shut-off valve. See figure 19.

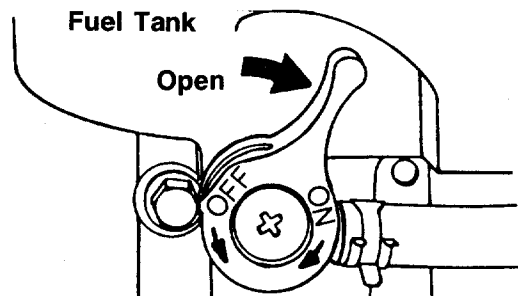


FIGURE 19.

3. Before each use, check for proper drive clutch operation by performing the following before starting the engine:

With the drive clutch control released, push mower forward. It should move freely.

If it does not and the rear wheels tend to lock up, the clutch may not be releasing completely. Do not start the engine until corrections have been made. Check the control cable for severe bend, kinks and binding, or grass build-up in the pulley groove. Correct and adjust as required.

TO START ENGINE AND ENGAGE BLADE



WARNING: When starting the unit for the first time, face the mower against a solid object such as a wall, fence, etc. Start the unit, and if it shows any signs of motion with the drive clutch control disengaged, shut the engine off immediately.

1. Move throttle control lever all the way forward.
2. **Tecumseh engines only:** Prime engine as instructed in the separate engine manual packed with your unit.
3. Standing behind the unit, depress the blade control handle and hold it against the upper handle as shown. See figure 20.
4. Grasp the recoil starter handle and pull back rapidly, extending rope fully. Return it slowly to the rope guide bolt.

5. After engine starts, move throttle control to desired engine speed.

NOTE: If any problems are encountered, refer to the *Trouble Shooting Guide* on page 23.

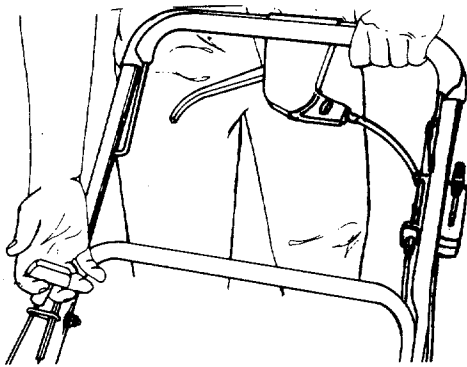


FIGURE 20.

TO STOP ENGINE AND BLADE

1. Release the blade control handle to stop the engine and blade.



WARNING: The blade continues to rotate for a few seconds after the engine is shut off.

2. Disconnect the spark plug wire and ground it against the engine to prevent accidental starting while equipment is unattended.

USING YOUR ROTARY MOWER



WARNING: Never operate your unit without either the rear deflector or entire grass catcher assembly in place.

Be sure that lawn is clear of stones, sticks, wire, or other objects which could damage lawn mower or engine. Such objects could be accidentally thrown by the mower in any direction and cause serious personal injury to the operator and others.

For the best results, do not cut wet grass because it tends to stick to the underside of the mower, preventing proper discharge of grass clippings, and could cause you to slip and fall. New grass, thick grass or wet grass may require a narrower cut. Blade speed should be adjusted to the condition of the lawn.

For best results, cut off one-third or less of the total length of the grass. Lawn should be cut in the fall as long as there is growth.

This mower is designed to be operated at full throttle to give you the best cut and do the most effective job of bagging the cut grass.



WARNING: If you strike a foreign object, stop the engine. Remove wire from spark plug, thoroughly inspect the mower for any damage, and repair the damage before restarting and operating the mower. Extensive vibration of the mower during operation is an indication of damage. The unit should be promptly inspected and repaired.

ADJUSTMENTS



WARNING: Do not at any time make any adjustment to lawn mower without first stopping engine and disconnecting spark plug wire.

CUTTING HEIGHT ADJUSTMENT

The height adjustment handle is located on the left side of the deck. The handle may be placed in one of nine cutting height positions. Push the handle to the left and then either forward to lower the cutting height or backward to raise the cutting height. See figure 21.

For rough or uneven lawns, move the height adjustment handle to a position which will give a higher cutting height.

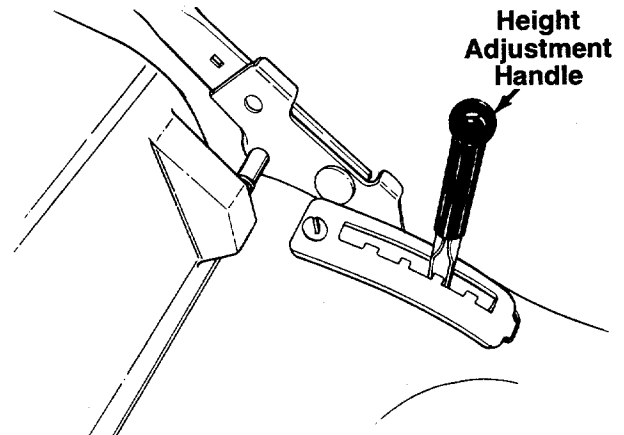


FIGURE 21.

DRIVE CLUTCH CONTROL ADJUSTMENT

Use the adjustment wheel located in the clutch control housing to tighten the drive belt if mower does not self-propel with the drive clutch control engaged, or if drive belt is slipping (unit hesitates while engine maintains the same speed). See figure 22.

In addition, the adjustment wheel may also be used to determine the position in which the drive clutch control is engaged. If it is more comfortable to have the drive engaged with the lever further away from the handle, tighten the drive belt.

Make certain to retest the unit for neutral as instructed in the Operation Section. Move the adjustment wheel in the opposite direction to loosen the drive belt if necessary.

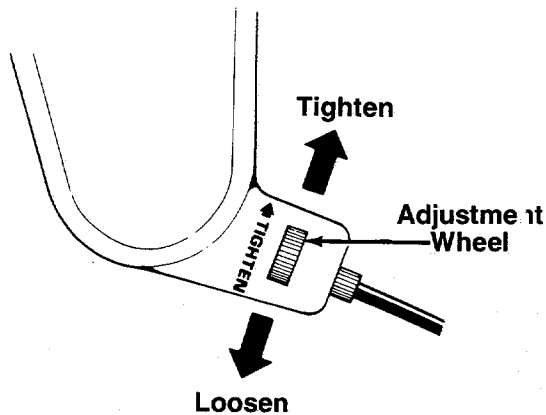


FIGURE 22.

THROTTLE CONTROL ADJUSTMENT

If the carburetor choke does not close fully or if the throttle control has been replaced, adjust the throttle control as follows.

Models 464R, 466R, 468R, 474R, 476R and 478R:

1. Remove the screw shown in figure 23. Remove the cable clamp from the cable.
2. Push the throttle control lever on the handle all the way forward to CHOKE position. Make certain the throttle control lever remains in this position.
3. Push the control lever on the engine as far toward the rear of the engine as it will go. Secure the cable in this position with the cable clamp and screw.

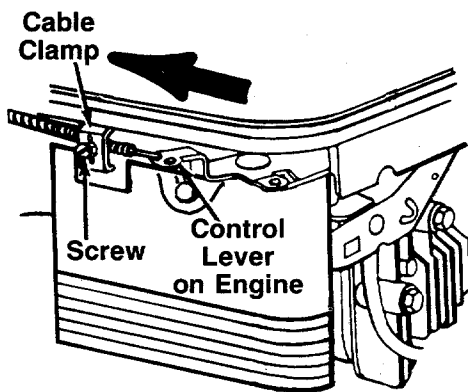


FIGURE 23.—Models 464R, 466R, 468R, 474R, 476R and 478R

Models 462R, 463R, 465R, 469R, 472R, 473R, 475R and 479R:

1. Loosen (do not remove) the screw on the cable clamp so that the cable will move freely under the clamp. See figure 24.
2. Place the throttle control lever on the handle all the way forward to START position.
3. Place the control lever on the engine in the full open position by pushing it as far toward the outside (Briggs and Stratton engine) or rear (Tecumseh engine) of the engine as it will go. Tighten the screw on the cable clamp to secure the cable in this position.

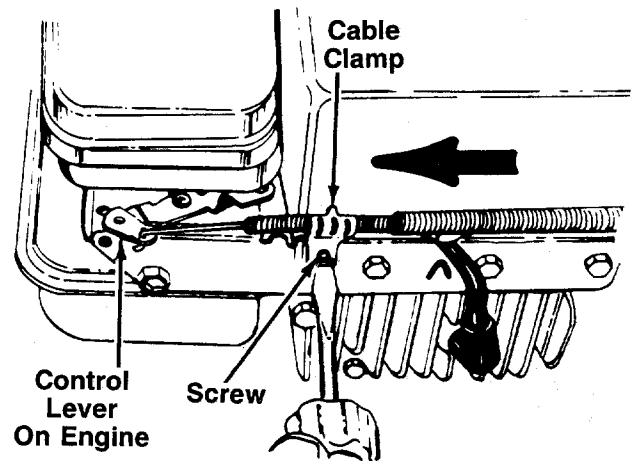


FIGURE 24A.—Models 462R and 472R

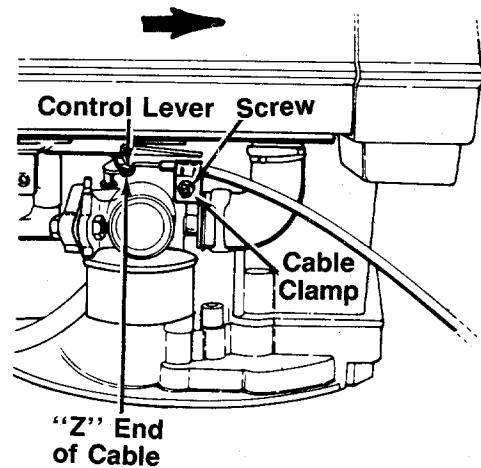


FIGURE 24B.—Models 465R and 475R Shown

CARBURETOR ADJUSTMENTS



WARNING: If any adjustments are made to the engine while the engine is running (e.g. carburetor), keep clear of all moving parts. Be careful of heated surfaces and muffler.

Minor carburetor adjustments may be required to compensate for differences in fuel, temperature, altitude and load. To adjust carburetor, refer to the separate engine manual packed with your mower.

NOTE: A dirty air cleaner will cause an engine to run rough. Be certain air cleaner is clean and attached to the carburetor before adjusting carburetor. Refer to the separate engine manual.

LUBRICATION



WARNING: Always stop engine and disconnect spark plug wire before cleaning, lubricating or doing any kind of work on lawn mower.

Blade Control—Lubricate the pivot points on the blade control handle and the brake cable at least once a season with light oil. See figure 25. The blade control must operate freely in both directions.

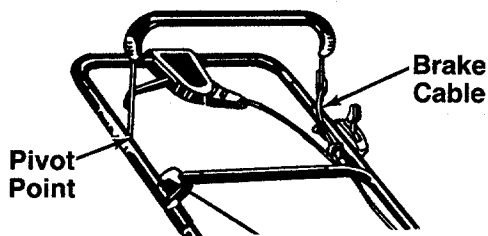


FIGURE 25.

Discharge Chute Deflector—The torsion spring and pivot point should be lubricated periodically with light oil to prevent any rust or binding. Deflector must work freely.

Wheels—Mower may be provided with ball bearing wheels. Lubricate at least once a season with light oil. Also, if the wheels are removed for any reason, lubricate the surface of the axle bolt and the inner surface of the wheel with light oil. A 4 oz. plastic bottle of light oil lubricant is available. Order part number 737-0170. Engine oil may also be used.

Engine—Follow engine manual for lubrication instructions.

Throttle—Periodically lubricate throttle control lever and throttle wire assembly with a few drops of light oil for ease of operation.

Transmission—The transmission is pre-lubricated and sealed at the factory. It does not require checking. If disassembled for any reason, fill with 2 ounces of Alvania grease, part number 737-0168.

MAINTENANCE



WARNING: Be sure to disconnect and ground the spark plug wire before performing any repairs or maintenance.

NOTE: When tipping the unit, empty the fuel tank and keep engine spark plug side up.

TROUBLE SHOOTING

Refer to page 23 of this manual for trouble shooting information.

CUTTING BLADE

When removing the cutting blade for sharpening or replacement, protect hands by using heavy gloves or a rag to grasp the cutting blade. Remove the bolt and bell washer which hold the blade and adapter to the engine crankshaft. Remove the blade and adapter from the crankshaft.

If the blade or blade adapter needs replacing, remove the two small bolts, lock washers and nuts which hold the blade to the adapter.



WARNING: Periodically inspect the blade adapter for cracks, especially if you strike a foreign object. Replace when necessary.

When sharpening the blade, follow the original angle of grind as a guide. It is **extremely important** that each cutting edge receives an equal amount of grinding to prevent an unbalanced blade. An unbalanced blade will cause excessive vibration when rotating at high speeds, may cause damage to the mower and could break, causing personal injury.

It is recommended that the blade always be removed from the adapter for the best test of balance.

The blade can be tested by balancing it on a round shaft screwdriver. Remove metal from the heavy side until it balances evenly.

Before reassembling the blade and the blade adapter to the unit, lubricate the engine crankshaft and the inner surface of the blade adapter with light oil. Lubricating the bolt holes, bolts and inner surface of the nuts with light oil is also recommended. A 4 oz. plastic bottle of light oil lubricant is available. Order part number 737-0170. Engine oil may also be used.

When replacing the blade, be sure to install the blade with the side of the blade marked "Bottom" (or with part number) facing the ground when the mower is in the operating position.

Blade Mounting Torque

Center Bolt and Blade Adapter Bolts:
375 in. lb. min., 450 in. lb. max.

To insure safe operation of your unit, **all** nuts and bolts must be checked periodically for correct tightness.

DECK

The underside of the mower deck should be cleaned after each use to prevent a buildup of grass clippings, leaves, dirt or other matter. If this debris is allowed to accumulate, it will invite rust and corrosion, and may cause an uneven discharge of grass clippings at the next cutting.

The deck may be cleaned by tilting the mower and scraping clean with a suitable tool (make certain the spark plug wire is disconnected).

ENGINE

Refer to the separate engine manual for engine maintenance instructions.

Maintain **engine oil** as instructed in the separate engine manual packed with your unit. Read and follow instructions carefully.

Service **air cleaner** every 25 hours under normal conditions. Clean every few hours under extremely dusty conditions. Poor engine performance and flooding usually indicates that the air cleaner should be serviced. To service the air cleaner, refer to the separate engine manual packed with your unit.

The **spark plug** should be cleaned and the gap reset once a season. Spark plug replacement is recommended at the start of each mowing season; check engine manual for correct plug type and gap specifications.

Clean the engine regularly with a cloth or brush. Keep the cooling system (blower housing area) clean to permit proper air circulation which is essential to engine performance and life. Be certain to remove all grass, dirt and combustible debris from muffler area.

BELT REMOVAL AND REPLACEMENT

1. Disconnect the spark plug wire and ground it against the engine.
2. Drain the fuel tank or place a piece of plastic beneath the cap to prevent gasoline leakage.
3. Tip the mower back on its handle. Block securely.
4. Remove the rear belt baffle by removing the lock washer and hex nut shown in figure 26. Then remove one Torx bolt, using a #27 Torx driver. A 9/64" Allen wrench may also be used. Then remove one carriage bolt, lock washer and nut as shown.

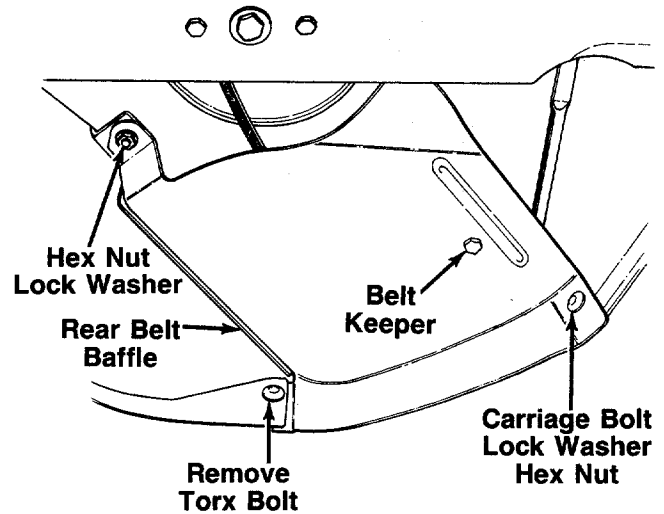


FIGURE 26.

5. Roll the belt off the transmission pulley. Remove the belt from between the idler pulley and belt guard. See figure 27.
6. Remove the belt from the pulley on the engine crankshaft, and pull it over the blade.

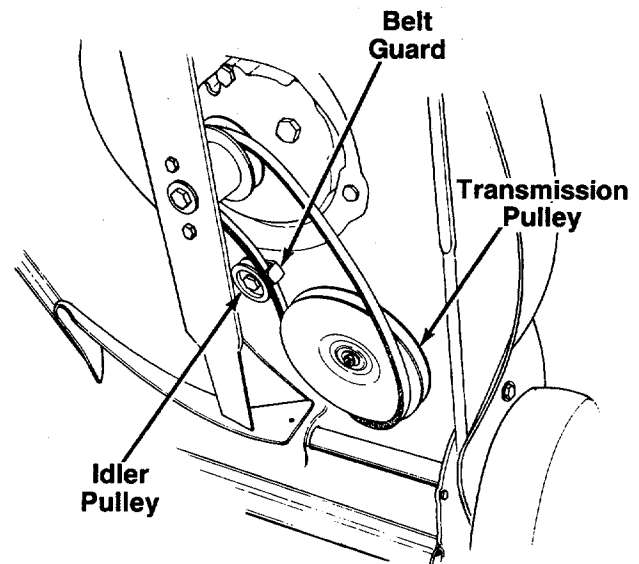


FIGURE 27.

7. Reassemble in reverse order with the new belt.

NOTE: When reassembling the rear belt baffle, make certain the belt keeper is outside of the belt, and the edge of the rear belt baffle is between the rear chute baffle and the rear panel as shown in figure 26. Make certain to tighten all nuts and bolts securely. If plastic was placed under the gas cap, be certain to remove it.

OFF-SEASON STORAGE

The following steps should be taken to prepare lawn mower for storage.

1. Clean and lubricate mower thoroughly as described in the lubrication instructions.
2. Refer to engine manual for correct engine storage instructions.
3. Coat mower's cutting blade with chassis grease to prevent rusting.
4. Store mower in a dry, clean area.

NOTE: *When storing any type of power equipment in an unventilated or metal storage shed, care should be taken to rust-proof the equipment. Using a light oil or silicone, coat the equipment, especially cables and all moving parts.*

HANDLE STORAGE

The handle may be placed in an upright position for storage. Move hairpin clips to outer hole on weld pins. See figure 1. Press outward on the bottom of the lower handle and push forward. The handle will lock in this position.

To place the handle in the operating position, remove the starter rope from the rope guide bolt. Grasp the lower handle at the bottom, press outward slightly and tip the handle backward. Place the hairpin clips in the inner holes. With the spark plug wire disconnected and grounded, depress the blade control handle and pull the starter rope out from the engine. Slip the starter rope into the rope guide bolt.

120-476R033/A150B2

Models 462R thru 479R

120-469R050
K229C
NO HOLES IN UPPER
FRAME FOR HANDLE

WRONG PART
IN BOX

BREAKING

*474R

*478R

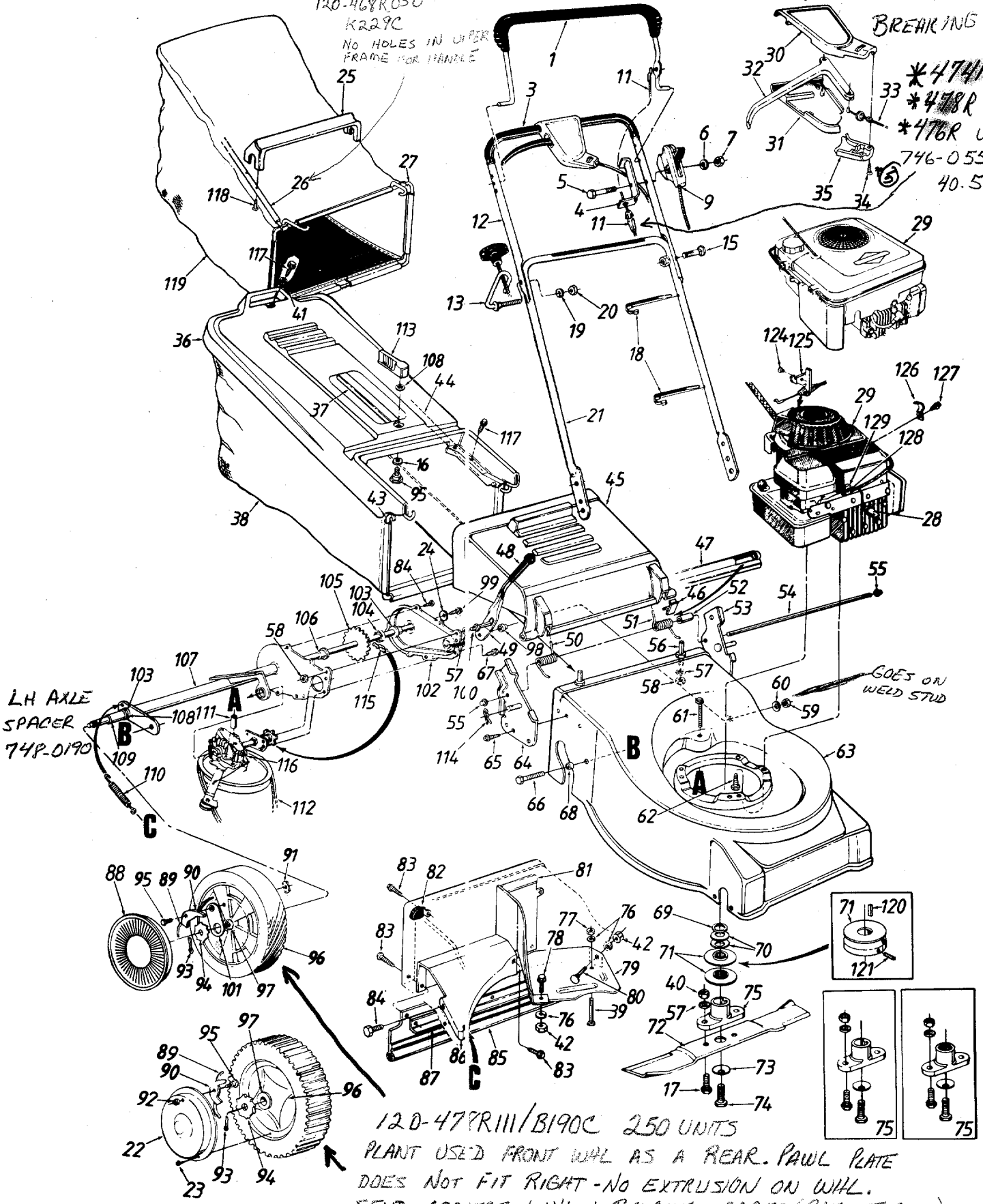
*476R USE

746-0554

40.5 YELLOW

LH AXLE
SPACER
74R-0190

GOES ON
WELD STUD



120-479R111/B190C 250 UNITS
 PLANT USED FRONT WHL AS A REAR. PAWL PLATE
 DOES NOT FIT RIGHT - NO EXTRUSION ON WHL.
 SEND CORRECT WHL + RELATED PARTS (RATCHET, PAWL)
 ETC.

Models 462R thru 479R

PARTS LIST FOR MODELS 462R THRU 479R ROTARY MOWERS

REF. NO.	PART NO.	CODE	DESCRIPTION	REF. NO.	PART NO.	CODE	DESCRIPTION
1	731-1135	N	Deluxe Control Handle	41	736-0463		Fl-Wash. .281" I.D. x .62"††
3	720-0225		Foam Grip (Optional)	42	712-0287		Hex Nut 1/4-20 Thd.*
4	17174	N	Cable Bracket	43	747-0693B		Front Catcher Framett BAD WELD
5	710-0136		Hex Bolt 1/4-20 x 1.75" Lg. (462R, 463R, 465R, 469R, 472R, 473R, 475R, 479R)	44	749-0736A		Rear Catcher Framett HOOK BREA
	710-0501		Hex Bolt 1/4-20 x 2" Lg. (464R, 466R, 468R, 474R, 476R, 478R)	45	731-0859	N	Chute Deflector
6	736-0175		Spr. Wash. 1/4" I.D.	46	731-0970B		Deflector Plug
7	712-0287		Hex Nut 1/4-20 Thd.*	47	731-0858		Seal—Extrusion
9	746-0802	N	Throttle Control Ass'y. Comp.— 56.62" (462R, 472R)	48	720-0223		Grip
	746-0821	N	Throttle Control Ass'y. Comp.— 56" (464R, 466R, 468R, 474R, 476R, 478R)	49	732-0580		Spring Lever
	746-0833	N	Throttle Control Ass'y. Comp.— 43.62" (463R, 465R, 469R, 473R, 475R, 479R)	50	732-0578A		Torsion Spring—R.H.
11	746-0551		Control Cable—43" (462R, 472R)	51	732-0577A		Torsion Spring—L.H.
	746-0550		Control Cable—39" (464R, 466R, 468R, 474R, 476R,* *478R) GREEN	52	750-0566		Spacer .255" I.D.
	746-0555		Control Cable—55" (463R, 465R, 469R, 473R, 475R, 479R)	53	12297A		Handle Brkt. Ass'y.—L.H.
12	749-0439B		Upper Handle	54	747-0698B	N	Hinge Pin 17.75" Lg.
13	710-0842B		Rope Guide Bolt	55	726-0106		Cap Speed Nut
14	777-5776		Instruction Label—Handle	56	711-0805		Shld. Pin 3/8-24 x 1.43" Lg.
15	710-0671		Curved Carriage Bolt 5/16-18 x 1.38" Lg.	57	736-0169		L-Wash. 3/8" I.D.*
16	736-0286		Bowed Washer	58	712-0711		Hex Jam Nut 3/8-24 Thd.
17	710-1055	N	Hex Bolt 3/8-24 x 1" Lg.	59	712-0296		Hex L-Nut 3/8-24 Thd.
18	726-0240		Cable Tie	60	736-0105		Bell-Wash. .38" I.D. x .88"
19	736-0119		L-Wash. 5/16" I.D.*	61	710-0778		Hex Wash. Hd. Tap Scr. 1/4-20 x 1.5" Lg.
20	712-0267		Hex Nut 5/16-18 Thd.*	62	710-0654A		Hex L-Wash. Hd. Scr. 3/8-16 x 1" Lg.
21	749-0504C		Lower Handle	63	16997	638	21" Deck Ass'y.
22	10647		Hub Cap	64	12296A		Handle Brkt. Ass'y.—R.H.
23	710-0748		Pan HD. Tap Scr. #12 x .50" Lg. (Used w/Ref. #22)	65	710-0892		Hex L-Wash. Hd. AB-Tap Scr. 1/4 x .62" Lg.
24	736-0270		Bell-Wash. .265" I.D. x .75"	66	710-1006		Hex Wash. Hd. Tap Scr. 3/8-16 x .75" Lg.
25	731-0801		Bag Handlet	67	710-0599		Hex Wash. Hd. Tap Scr. 1/4-20 x .5" Lg.
26	749-0764A		Rear Catcher Framett	68	750-0736		Spacer .383" I.D.
27	747-0700A		Front Catcher Framett	69	748-0332		Crankshaft Spacer (Used w/Splined Pulley) QUANTUM ENCL ONLY
28	735-0639		Spark Plug Boot (Optional)	70	736-0450		Bell-Wash. 1.01" I.D.
29	—		Engine	71	756-0502		Splined Pulley Half (2 Req'd.)
30	731-1057		Control Cover Half—Upper	72	756-0554		Keyed Pulley
31	731-0618A-1058		Control Cover Half—Lower	73	742-0306A	N	21" Blade
32	731-0620		Control Lever	74	736-0452	N	Bell-Wash. .39" I.D. (Used w/Keyed Adapter)
33	746-0711		Drive Cable—51" Lg.	75	736-0453	N	Bell-Wash. .46" I.D. (Used w/Splined Adapter)
34	710-0841		Flat C-Sunk Hd. Tap Scr. #10 x .75" Lg.	76	710-1044	N	Hex Bolt 3/8-24 x 1.5" Lg. (Used w/Keyed Adapter)
35	731-1059		Cable Mtg. Cap	77	710-0757		Hex Bolt 7/16-20 x 1.5" Lg. (Gr. 5) (Used w/Splined Adapter)
36	731-0857A		Hardtop Bag Cover††	78	753-0484		Blade Adapter Kit (Keyed)
37	731-0856		Hardtop Handlet††	79	753-0485		Blade Adapter Kit (Splined)
38	764-0252		Grass Bag††	80	736-0329		L-Wash. 1/4" I.D.*
39	710-0166		Truss Mach. Scr. 1/4-20 x 1.0" Lg.	81	7712-0298		Hex Jam Nut 1/4-20 Thd.
40	712-0241		Hex Nut 3/8-24 Thd.*	82	710-0252		Hex Bolt 1/4-20 x .85" Lg.
				83	17013		Rear Belt Baffle
				84	710-0167		Carr. Bolt 1/4-20 x .50" Lg.*
				85	17006		Rear Panel Baffle
				86	731-0931		Corner Plug
				87	710-1017		Torx Mach. AB-Tap Scr. 1/4 x .62" Lg.
				88	710-0352		Hex B-Tap Scr. 1/4 x .38" Lg.

ALL OTHERS HAVE 1989 WAVE WASHER ARRANGEMENT ON CRANKSHAFT LIKE 1989 UNITS. MAX TEL & STANDARD ENGINES


Models 462R thru 479R

PARTS LIST FOR MODELS 462R THRU 479R ROTARY MOWERS (CONTINUED)

REF. NO.	PART NO.	CODE	DESCRIPTION	REF. NO.	PART NO.	CODE	DESCRIPTION
85	731-0669		Rear Flap	108	736-0498 9160		Internal L-wash. 1/4" I.D.
86	17008		Rear Chute Baffle	109	748-0190 711-0313		Spacer .513" I.D. RH
87	14847		Retaining Strip	110	732-0481		Extension Spring 3.8" Lg.
88	731-0981A		Hub Cap	111	750-0589		Spacer .325" I.D.
89	10622B		Plastic Spring	112	754-0346		V-Belt
90	748-0188B		Pawl .345" I.D.	113	720-0224		Grass Catcher Locking Knob
91	712-0189		Weld Nut 1/4-20 Thd. <i>WELDING</i>	114	714-0104		Internal Cotter Pin 5/16" Dia.
			(Used w/Ref. #88)	115	713-0353		#48 Chain .50" Pitch x 30 Links
92	712-0324		Hex Ins. L-Nut 1/4-20 Thd. (Used w/Ref. #22)	116	717-0417		Transmission Comp. (See Breakdown)
93	714-0115		Cotter Pin 1/8" Dia.	117	710-0892		Hex L-Wash. H.D. AB-Tap Scr. 1/4 x .62" Lg.††
94	748-0318		Ratchet Wheel 1.62" O.D.	118	710-1025		Hex AB-Tap Scr. #12 x 1.25" Lg.†
95	738-0137		Shld. Bolt .342" Dia. x .268"	119	764-0246		Grass Bag†
96	**		Wheel Ass'y. Comp.—Rear	120	714-0122		Sq-Key 3/16" x 3/4" Lg.
97	**		Bearing 1/2" I.D.	121	710-0497		Set Scr. #10-32 x .25" Lg.
98	750-0624		Shld. Spacer .50" Dia.	122	728-0171		Pop Rivet .156" Dia. (462R, 472R)
99	710-0751		Hex Bolt 1/4-20 x .62" Lg. (Gr. 5)	125	14924		Cable Brkt. (462R, 472R)
100	711-0805		Shld. Pin 3/8-24 x 1.43" Lg.	126	12894A		Cable Clamp (462R, 472R)
101	16855		Pawl Plate	127	710-0429		Hex B-Tap Scr. #10 x .38" Lg. (462R, 472R)
102	17053A		Chain Cover Ass'y. <i>HAS WELD SCR</i>	128	710-0227		Hex B-Tap Scr. #10 x .5" Lg. (462R, 472R)
103	741-0324		Hex Flange Brg. .506" I.D.	129	751-0369		Cable Clamp (462R, 472R)
104	736-0160		FI-Wash. .531" I.D. x .93"				
105	738-0719A		Rear Axle Ass'y.				
106	741-0522		Hex Flange Bearing				
107	17009		Chain Axle Ass'y.				

†Models 462R thru 469R Only.
 ††Models 472R thru 479R Only.

NOTE: The engine is not under warranty by the mower manufacturer... If repairs or service is needed on the engine, please contact your nearest authorized engine service outlet. Check the "Yellow Pages" of your telephone book under "Engines—Gasoline."



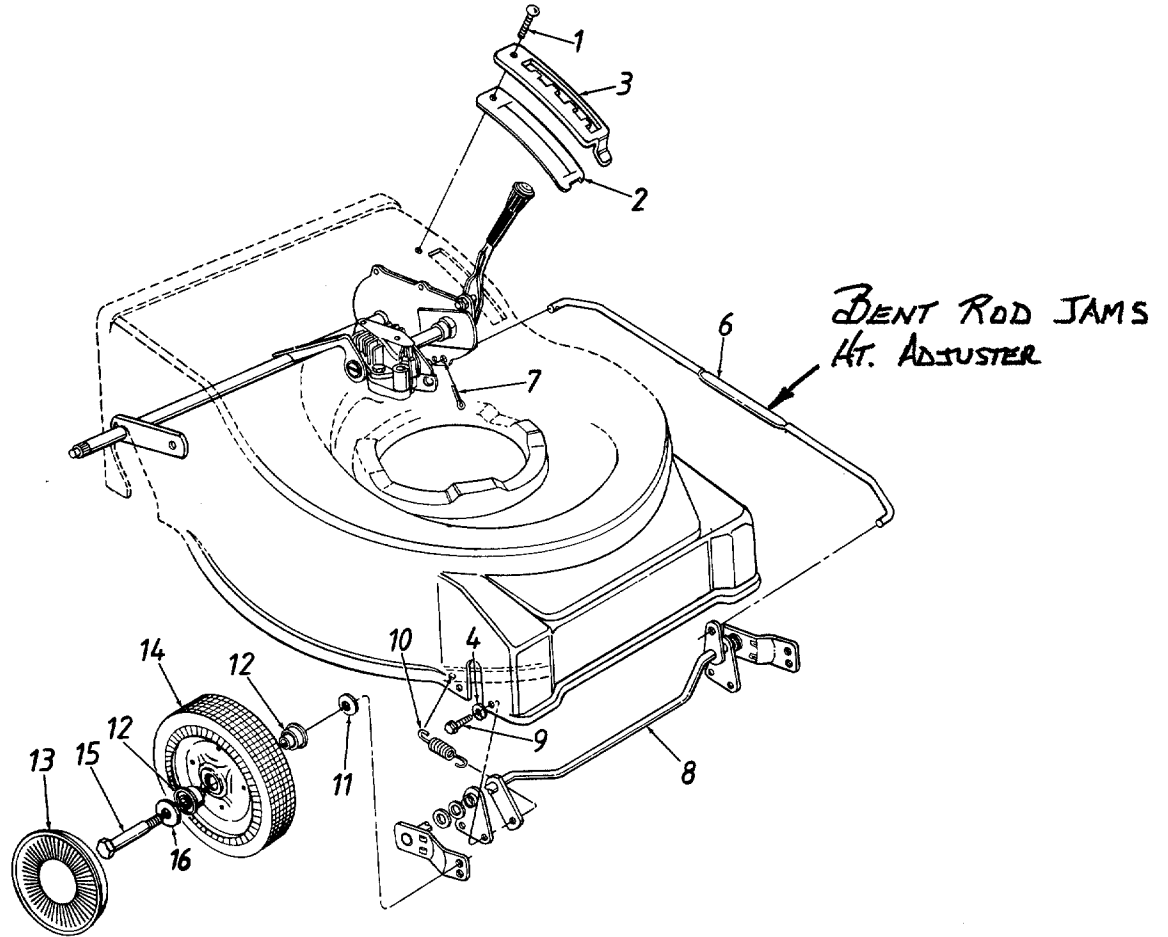
NOTE

This instruction manual covers various models, and all specifications shown do not necessarily apply to your model. Specifications subject to change without notice or obligation.

**REAR WHEEL CHART

Size	Tread Type	Part No.	Bearings
8 x 1.75	"T" Tread	734-1412	741-0180 1/2" I.D. Ball Brg. (2 Req'd.)
8 x 2	"S" Wave	734-1510 X 8	741-0486B 1/2" I.D. Sleeve Brg.

Models 462R thru 479R



PARTS LIST FOR MODELS 462R THRU 479R ROTARY MOWERS

REF. NO.	PART NO.	CODE	DESCRIPTION	REF. NO.	PART NO.	CODE	DESCRIPTION
1	710-1017		Torx Mach. AB-Tap Scr. 1/4 x .62" Lg.	10	732-0589		Extension Spring 2.39" Lg.
2	721-0216		Height Adjustment Support	11	736-0105		Bell-Wash. .380" I.D. x .88" O.D.
3	17323		Height Adjustment Plate	12	741-0180		Flange Ball Bearing 1/2" I.D.
4	736-0329		L-Wash. 1/4" I.D.*	13	—		Hub Cap (See Below)
6	747-0699		Height Adj. Connecting Rod	14	**		Wheel Ass'y. Comp.—Front
7	714-0507		Cotter Pin 3/32" Dia.	15	738-0102		Shld. Bolt .498" Dia. x 1.45"
8	17022		Front Axle Ass'y.	16	736-0232		Wave Wash. .53" I.D. x .78"
9	710-0352		Hex L-Wash. Hd. AB-Tap Scr. 1/4 x .38" Lg.				

**FRONT WHEEL CHART

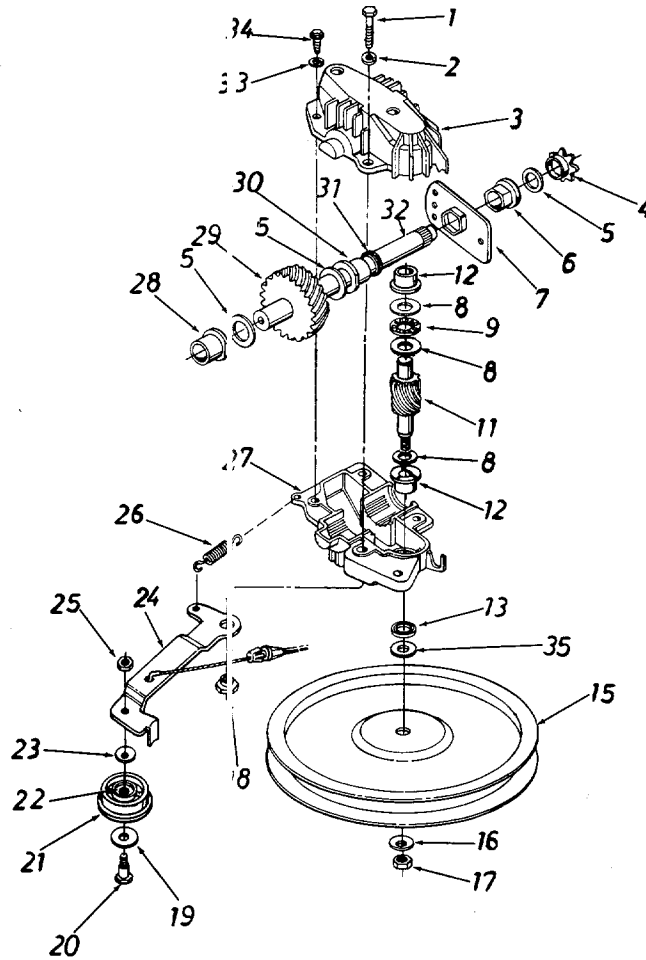
Size	Tread Type	Part No.
7 x 1.75	"T" Tread	734-1264
8 x 1.75	"T" Tread	734-1260
8 x 2	"S" Wave	734-1513A (Use 731-0981A Hub Cap)

*For faster service obtain standard nuts, bolts and washers locally. If these items cannot be obtained locally, order by part number and size as shown on parts list.

Optional Hub Caps

Color	Part No.
Red	731-0124
Black	731-0354
Grey	731-0355

Models 462R thru 479R



PARTS LIST FOR MODELS 462R THRU 479R ROTARY MOWERS

REF. NO.	PART NO.	CODE	DESCRIPTION	REF. NO.	PART NO.	CODE	DESCRIPTION
1	710-1062		Hex Bolt 1/4-20 x 1.25" Lg. <i>W/Patch</i>	19	736-0344		FI-Wash. .390" I.D. x 1.0"†
2	736-0329		L-Wash. 1/4" I.D.*	20	738-0826		Shld. Bolt .375" Dia. x .40"†
3	717-0418A		Upper Hsg. Half	21	756-0558		FI-Idler Plastic 1.50" Dia.†
4	713-0400		#48 Sprocket 7 Tooth x 1/2 Pitch	22	741-0556		Needle Brg. .375" x .31"†
5	736-0336		FI-Wash. 5/8" I.D. x .030	23	736-0270		Bell-Wash. .265" I.D. x .75"†
6	741-0413		Hex Flange Brg. .631" I.D.	24	17052		Idler Brk't. Ass'y.†
7	16500A		Hex Bearing Cup	25	712-0138		Hex Patch L-Nut 1/4-28 Thd.†
8	736-0314		Thrust Wash. .382" I.D. x .70" O.D.	26	732-0357		Extension Spring 1.12" Lg.†
9	741-0479		Thrust Bearing .375" I.D. x .812" O.D.	27	717-0419A		Lower Hsg. Half
11	717-1216	N	11 Tooth Pinion Shaft	28	741-0415		Flange Bearing .566 Dia.
12	748-0208A		Flange Bearing	29	717-0422		33 Tooth Helical Gear
13	721-0212		Oil Seal	30	741-0414		Flange Bearing .629 Dia.
15	756-0330		FI-Pulley 5.06" O.D.†	31	721-0213		Oil Seal .625 Dia.
16	736-0270		Bell-Wash. .265" I.D. x .75"†	32	738-0607		Gear Sprocket Shaft
17	712-0351		Hex L-Nut 1/4-28 L.H. Thc.†	33	736-0722		L-Wash. #10 I.D.
18	738-0440		Shld. Spacer .375" Dia. x .170"†	34	710-0436		Hex B-Tap Scr. #10 x .62"
				35	736-0410		Hex Washer .26" x .88"†
				—	717-0417A		Transmission Comp.

†Not Part of Transmission Complete

TROUBLE SHOOTING GUIDE

Trouble	Possible Cause(s)	Corrective Action
Engine fails to start	<ol style="list-style-type: none"> 1. Blade control handle disengaged. 2. Spark plug wire disconnected. 3. Throttle control lever not in CHOKE or START position. 4. Fuel shut-off valve closed (if so equipped). 5. Fuel tank empty, or stale fuel. 6. Blocked fuel line. 7. Faulty spark plug. 8. Engine flooded. 	<ol style="list-style-type: none"> 1. Engage blade control handle. 2. Connect wire to spark plug. 3. Move throttle lever to CHOKE or START position. 4. Open fuel shut-off valve. 5. Fill tank with clean, fresh gasoline. 6. Clean fuel line. 7. Clean, adjust gap or replace. 8. Remove spark plug, dry the plug, and crank engine with plug removed and throttle in off position. Replace spark plug, connect wire and resume starting procedures.
Engine runs erratic	<ol style="list-style-type: none"> 1. Unit running in CHOKE or START position. 2. Spark plug wire loose. 3. Blocked fuel line or stale fuel. 4. Vent in gas cap plugged. 5. Water or dirt in fuel system. 6. Dirty air cleaner. 7. Carburetor out of adjustment. 	<ol style="list-style-type: none"> 1. Move throttle lever to FAST position. 2. Connect and tighten spark plug wire. 3. Clean fuel line; fill tank with clean, fresh gasoline. 4. Clear vent. 5. Drain fuel tank. Refill with fresh fuel. 6. Clean air cleaner.† 7. Adjust carburetor.†
Engine overheats	<ol style="list-style-type: none"> 1. Engine oil level low. 2. Air flow restricted. 3. Carburetor not adjusted properly. 	<ol style="list-style-type: none"> 1. Fill crankcase with proper oil. 2. Remove blower housing and clean.† 3. Adjust carburetor.†
Occasional skip (hesitates) at high speed	<ol style="list-style-type: none"> 1. Carburetor idle speed too slow. 2. Spark plug gap too close. 3. Carburetor idle mixture adjustment improperly set. 	<ol style="list-style-type: none"> 1. Adjust carburetor.† 2. Adjust gap to .030". 3. Adjust carburetor.†
Idles poorly	<ol style="list-style-type: none"> 1. Spark plug fouled, faulty or gap too wide. 2. Carburetor improperly adjusted. 3. Dirty air cleaner. 	<ol style="list-style-type: none"> 1. Reset gap to .030" or replace spark plug. 2. Adjust carburetor.† 3. Clean air cleaner.†
Excessive vibration	<ol style="list-style-type: none"> 1. Cutting blade loose or unbalanced. 2. Bent cutting blade. 	<ol style="list-style-type: none"> 1. Tighten blade and adapter. Balance blade. 2. Replace blade.
Mower will not discharge grass	<ol style="list-style-type: none"> 1. Engine speed too low. 2. Wet grass. 3. Excessively high grass. 	<ol style="list-style-type: none"> 1. Set throttle between 3/4 and full throttle. 2. Do not mow when grass is wet; wait until later to cut. 3. Mow once at a high cutting height, then mow again at desired height or make a narrower cutting swath (1/2 width).
Uneven cut	<ol style="list-style-type: none"> 1. Wheels not positioned correctly. 2. Dull blade. 	<ol style="list-style-type: none"> 1. Place all four wheels in same height position. 2. Sharpen or replace blade.

†Refer to separate engine manual packed with your unit.

Note: For repairs beyond the minor adjustments listed above, contact your local authorized service dealer.

PARTS INFORMATION

POWER EQUIPMENT PARTS AND SERVICE

Parts and service are available through the authorized service firms listed below. All orders should specify the model number of your unit, part numbers, description of parts and the quantity of each part required.

BRIGGS AND STRATTON, TECUMSEH AND PEERLESS PARTS AND SERVICE

Briggs & Stratton, Tecumseh and Peerless parts and service should be handled by your nearest authorized engine service firm. Check the yellow pages of your telephone directory under the listing **Engines—Gasoline**, Briggs & Stratton or Tecumseh Lauson.

NOTE: If any parts are found to be missing or defective upon assembly of this unit, write to advise the factory so that immediate replacement can be made.

ARKANSAS	NORTH LITTLE ROCK	NORTH CAROLINA	BROWNS SUMMIT
Sutton's Lawn Mower Shop.....	5301 Roundtop Drive Box 368, Rt. 4 72117	Dixie Sales Company.....	5920 Summit Ave. 27214
CALIFORNIA	PORTERVILLE	OHIO	CARROLL
Billious	75 North D Street 93257	Stebe's Mid-State Mower Supply	Box 366, 71 High St. 43112
COLORADO	DENVER	Bleckrie, Inc.	CLEVELAND
Spitzer Industrial Products Co. ...	6601 N. Washington St. 80229	National Central	7900 Lorain Ave. 44102
FLORIDA	JACKSONVILLE	Burton Supply Co.	WADSWORTH
Radco Distributors	4909 Victor St. Box 5459 32207		687 Seville Rd. 44281
	HIALEAH		YOUNGSTOWN
Small Eng. Dist.	7995 W. 26th Court 33016		1301 Logan Ave. Box 929 44501
ILLINOIS	LYONS	PENNSYLVANIA	HARRISBURG
Keen Edge Co.	8615 Ogden Ave. 30534	EECO Inc.	4021 N. 6th St. 17110
INDIANA	ELKHART	Bluemont Co.	PITTSBURGH
Parts & Sales Inc.	2101 Industrial Pkwy. Box 277 46516	Frank Roberts & Sons	11101 Frankstown Rd. . 15235
	DUBUQUE	Scranton Auto Ignition Co.	PUNXSUTAWNEY
IOWA	2551 J.F. Kennedy..... 52001		R.D. 2 15767
MARYLAND	BELTSVILLE	TENNESSEE	SCRANTON
Center Supply Co.	6802 Industrial Dr. #208 20705	Ace Distributors	1133-35 Wyoming Ave. . 18509
MASSACHUSETTS	SPRINGFIELD	Chilton Air Cooled Engine	KNOXVILLE
Morton B. Collins Co.	300 Birnie Ave. 01107		2103 Magnolia 37917
MICHIGAN	MOUNT CLEMENS	TEXAS	NASHVILLE
Power Equipment Dist.	340 Hubbard 48043	Marr Brothers, Inc.	319 4th Ave. S. 37210
MINNESOTA	PLYMOUTH	UTAH	DALLAS
Hance Distributing Inc.	12795 16th Ave. North . 55441	Powered Products	423 E. Jefferson 75202
MISSOURI	EARTH CITY	VIRGINIA	SALT LAKE CITY
Oscar Wilson Engine & Parts ...	4159 Shoreline Dr. 33045	RBI Corp.	1661 N. Beck St. 84116
	KANSAS CITY	WASHINGTON	ASHLAND
Automotive Equip. Service	3117 Holmes St. 34109	Equip. Northwest	101 Cedar Ridge Dr. ... 23005
NEW YORK	CARTHAGE	WISCONSIN	SEATTLE
Gamble Dist., Inc.	West End Ave. Box 389 13619	Wisconsin Magneto Inc.	1410 14th Ave. 98122
		PUERTO RICO	MILWAUKEE
		Island Distribution Center	4727 N. Teutonia St. ... 53209
			RAMEY
			102 N. St. 00604

WARRANTY PARTS AND SERVICE POLICY

(0689)

The purpose of warranty is to protect the customer from defects in workmanship and materials, defects which are NOT detected at the time of manufacture. It does not provide for the unlimited and unrestricted replacement of parts. Use and maintenance are the responsibility of the customer. The manufacturer cannot assume responsibility for conditions over which it has no control. Simply put, if it's the manufacturer's fault, it's the manufacturer's responsibility; if it's the customer's fault, it's the customer's responsibility.

CLAIMS AGAINST THE MANUFACTURER'S WARRANTY INCLUDES:

1. Replacement of Missing Parts on new equipment.
2. Replacement of Defective Parts within the warranty period.
3. Repair of Defects within the warranty period.

All claims MUST be substantiated with the following information:

1. Model Number, Serial Number and/or Date Code of unit involved.
2. Date unit was purchased.
3. Date of Failure.
4. Nature of Failure.

MTD PRODUCTS INC • P.O. BOX 360900 • CLEVELAND, OHIO 44136